



Manufactured by:
 Backyard Discovery
 3305 Airport Drive, Pittsburg, KS
 66762 800-856-4445

Basepoint Business Centre: Rivermead Drive, Westlea, Swindon SN5 7EX Phone: 0800-118-2476
 J.P. Coenstraat 7, The Bridge, The Hague, 2595 WP, Netherlands Phone: 08005678990

PALISADE OUTDOOR BAR

MODEL # : 2404076



Please visit www.backyarddiscovery.com
 For the most up to date assembly manual, to register your product, or to order replacement parts *Para obtener instrucciones en español, visite* www.backyarddiscovery.com



EASY STEP-BY-STEP
 3D INTERACTIVE INSTRUCTIONS
 DOWNLOAD THE FREE APP



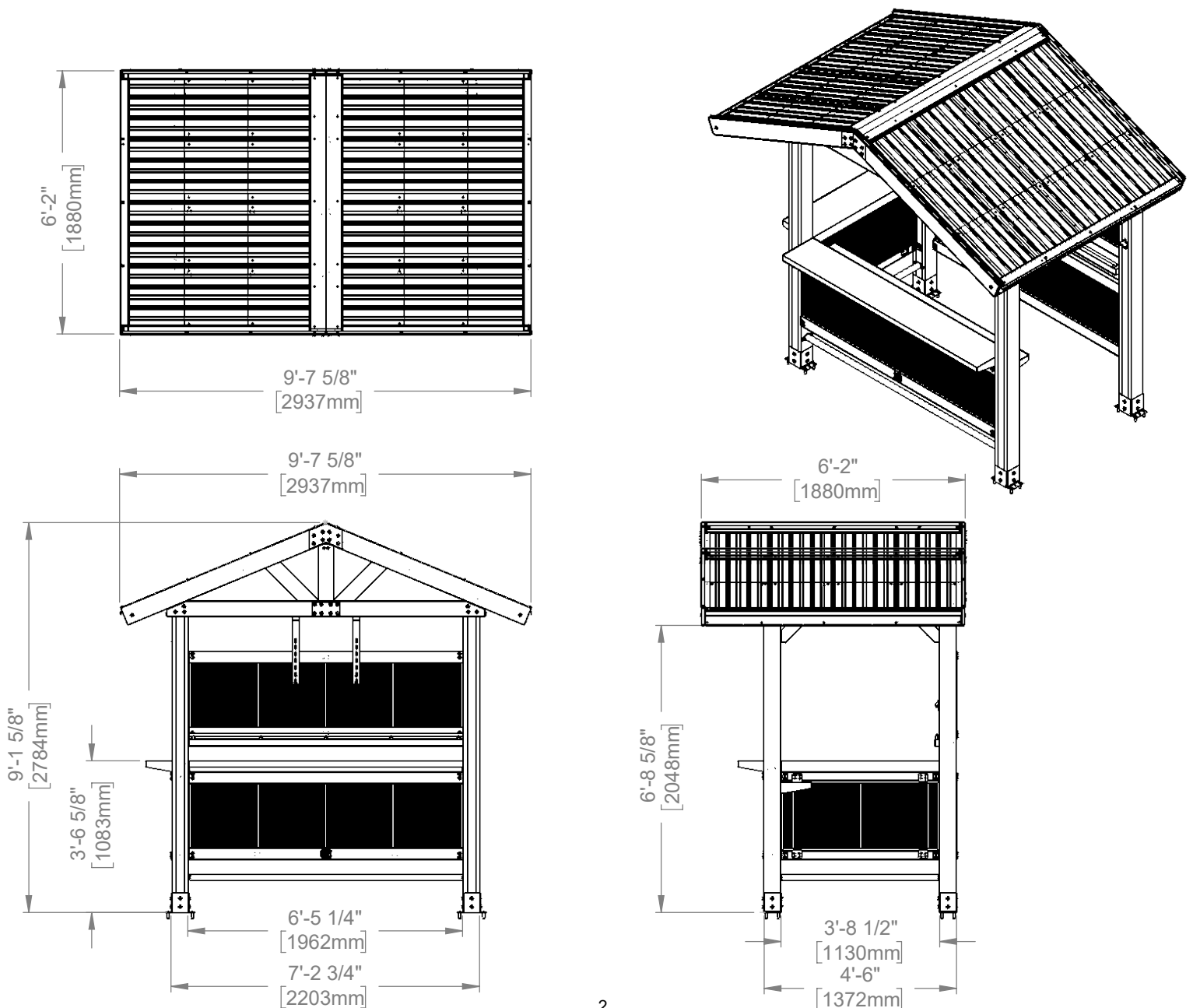
OWNER'S MANUAL - BASIC SETUP DIMENSIONS & ASSEMBLY NOTES

It is critically important that you start with square and level footings or concrete pad to attach your structure

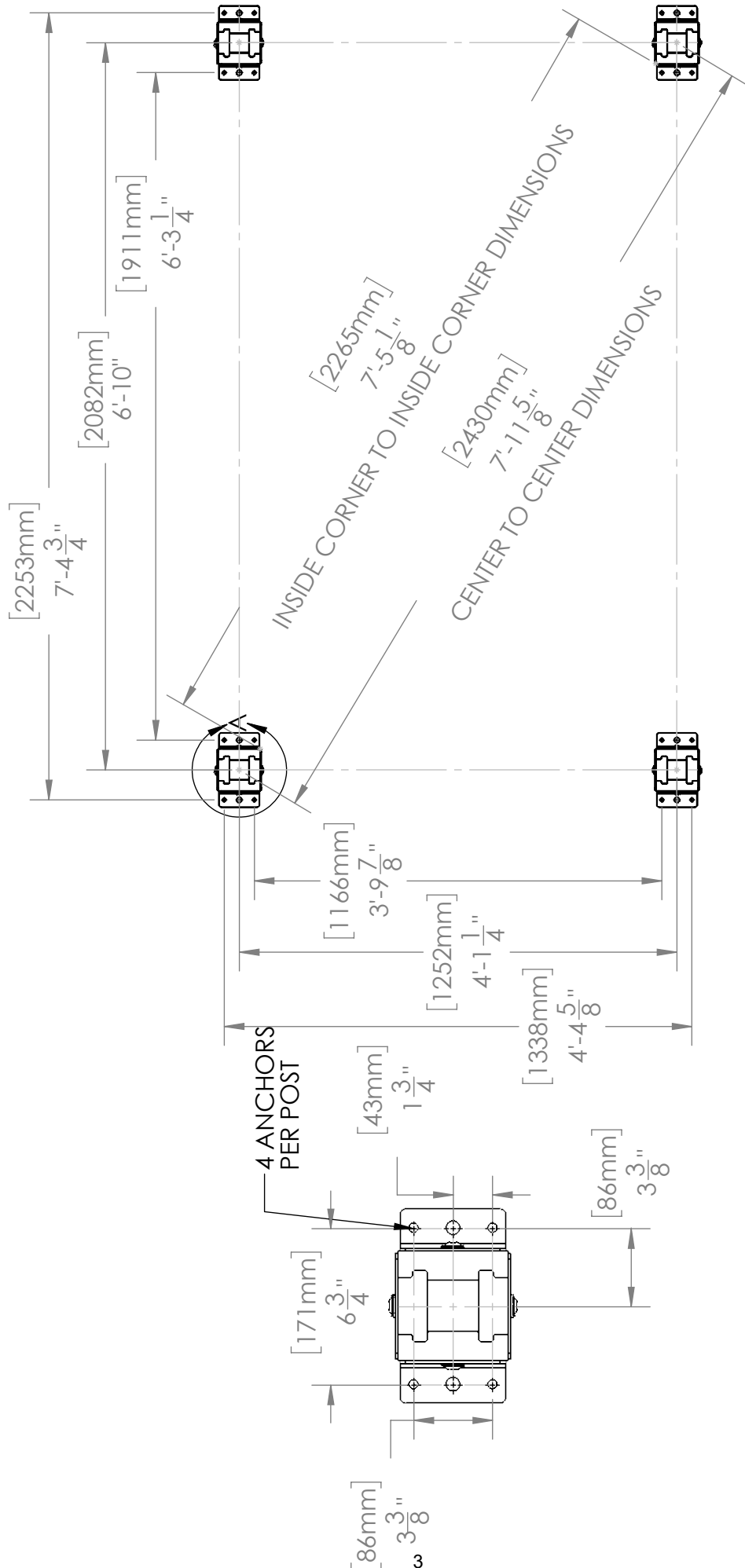
- Pay close attention to the items needed for each step. Make sure you are using the correct hardware for each step. Using incorrect hardware may result in improper assembly
- Remember to double check for underground utilities and overhead electrical lines

Post mounts are provided with your structure which allows you to permanently install your structure to a pre-existing or new wood or concrete surface. See Anchor Instructions for further details and recommendations.

- The hardware to attach the post mounts to the structure is included.
- The hardware to mount the structure permanently to a concrete surface is included.
- The hardware to mount the structure permanently to a wood deck is NOT included and will need to be purchased separately. You must ensure there is ample structural support under the deck before permanently attaching.



OWNER'S MANUAL - ANCHORING LAYOUT



OWNER'S MANUAL - PARTS IDENTIFICATION

Wood Components (NOT TO SCALE)



AD02 FASCIA - W4L20002
(x2) 15/16"x4"x72 1/16" (24x102x1830)



AD03 ROOF SUPPORT - W4L20541
(x2) 15/16"x4"x69 3/16" (24x102x1758)



AJ02 RAFTER - W4L20538
(x4) 1 7/16"x4"x60" (36x102x1524)



AJ03 RAFTER - W4L20537
(x2) 1 7/16"x4"x61" (36x102x1550)



AJ04 RAFTER - W4L20539
(x2) 1 7/16"x4"x60" (36x102x1524)



AJ05 RAFTER - W4L20540
(x2) 1 7/16"x4"x60" (36x102x1524)



AL01 BEAM - W4L20294
(x2) 1 7/16"x4 7/16"x54" (36x112x1372)



AL02 GABLE SUPPORT - W4L20535
(x4) 4 7/16"x22 13/16" (36x112x580)



AL03 BEAM - W4L20536
(x2) 1 7/16"x4 7/16"x89 1/2" (36x112x2274)



AL04 VERTICAL SUPPORT BEAM - W4L20542
(x1) 1 7/16"x4 7/16"x24 5/8" (36x112x625)



AL05 VERTICAL GABLE SUPPORT - W4L20544
(x1) 1 7/16"x4 7/16"x20 5/8" (36x112x524)



C01 CORBEL W/ ID TAG - W2A04478
(x1) 1 7/16"x3 3/8"x15 13/16" (36x86x401)



E01 CORBEL - W4L19999
(x3) 1 7/16"x3 3/8"x15 13/16" (36x86x401)



E02 PANEL BOARD - W4L20019
(x4) 77 1/4"x3 3/8"x1 7/16" (36x86x1962)



E03 PANEL BOARD - W4L20007
(x2) 1 7/16"x3 3/8"x44 1/2" (36x86x1131)



E04 PANEL BOARD - W4L20017
(x1) 1 7/16"x3 3/8"x77 1/4" (36x86x1962)

OWNER'S MANUAL - PARTS IDENTIFICATION

Wood Components (NOT TO SCALE)



E05 PANEL BOARD - W4L20777
(x1) 77 1/4"x3 3/8"x1 7/16" (36x86x1962)



G01 FASCIA - FRONT - W4L20545
(x2) 15/16"x5 1/4"x62 1/2" (24x134x1588)



G02 FASCIA - BACK - W4L20543
(x2) 15/16"x5 5/16"x62 1/2" (24x134x1588)



J01 STIFFENER BOARD - W4L20014
(x2) 15/16"x2 3/8"x71 5/8" (24x60x1820)



N01 PURLIN - W4L20307
(x4) 5/8"x2 3/8"x71 7/8" (16x60x1826)



P01 POST - W2A04370
(x1) 4 3/4"x4 3/4"x89 1/2" (120x120x2274)



P02 POST - W2A04371
(x1) 4 3/4"x4 3/4"x89 1/2" (120x120x2274)



P03 POST - W2A04372
(x1) 4 3/4"x4 3/4"x89 1/2" (120x120x2274)



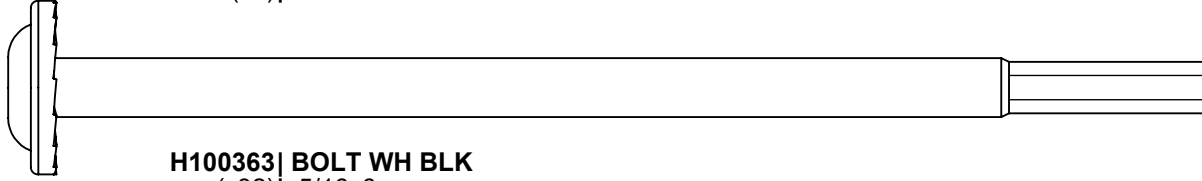
P04 POST - W2A04373
(x1) 4 3/4"x4 3/4"x89 1/2" (120x120x2274)

OWNER'S MANUAL - PARTS IDENTIFICATION

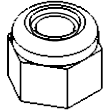
Hardware Components



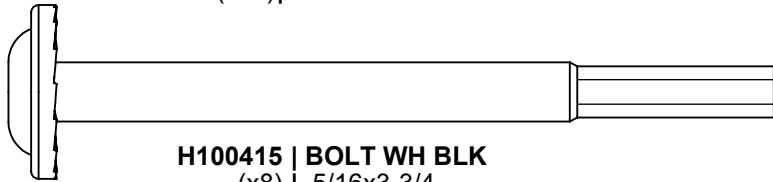
H100880 | BOLT WH BLK
(x4) | 5/16x7



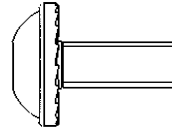
H100363 | BOLT WH BLK
(x32) | 5/16x6



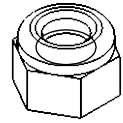
H100653 | NUT LOCK BLK
(x12) | 1/4



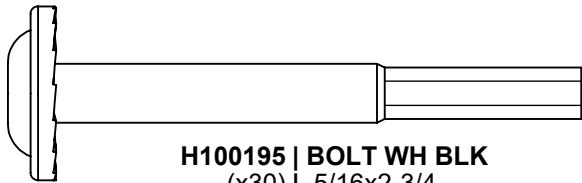
H100415 | BOLT WH BLK
(x8) | 5/16x3-3/4



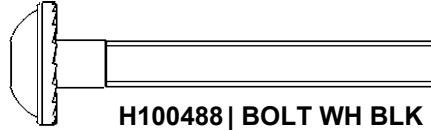
H100486 | BOLT WH BLK
(x9) | 1/4x5/8



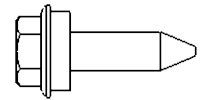
H100479 | NUT LOCK BLK
(x22) | 5/16



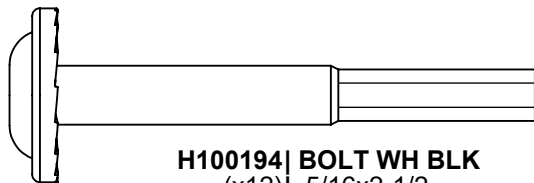
H100195 | BOLT WH BLK
(x30) | 5/16x2-3/4



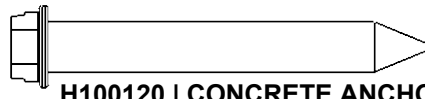
H100488 | BOLT WH BLK
(x8) | 1/4x2



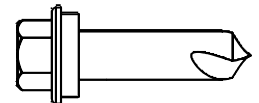
H100833 | SCREW WOODGRIP
(x62) | 10x3/4



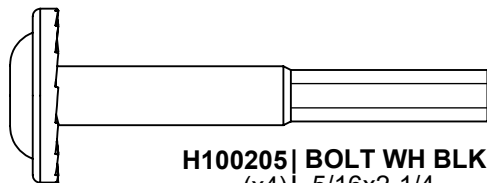
H100194 | BOLT WH BLK
(x12) | 5/16x2-1/2



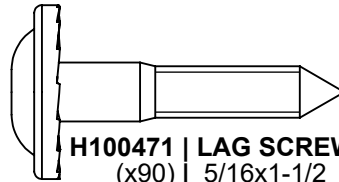
H100120 | CONCRETE ANCHOR
(x16) | 1/4x2



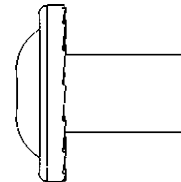
H100759 | SCREW TAPPING
(x26) | 1/4x1



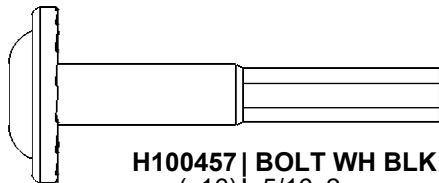
H100205 | BOLT WH BLK
(x4) | 5/16x2-1/4



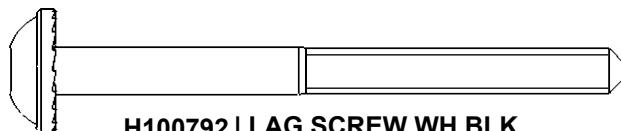
H100471 | LAG SCREW WH BLK
(x90) | 5/16x1-1/2



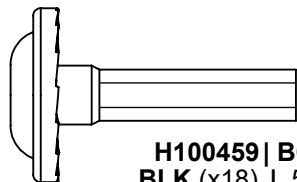
H100469 | NUT BARREL WH BLK
(x18) | 5/16x5/8



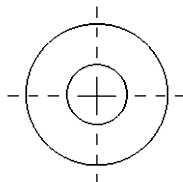
H100457 | BOLT WH BLK
(x16) | 5/16x2



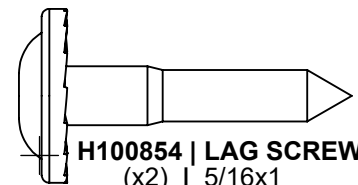
H100792 | LAG SCREW WH BLK
(x4) | 1/4x3



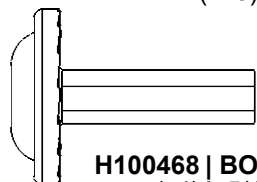
H100459 | BOLT WH BLK
(x18) | 5/16x1-1/4



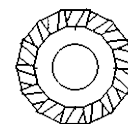
H100630 | WASHER FLAT BLK
(x42) | 8x19



H100854 | LAG SCREW WH BLK
(x2) | 5/16x1



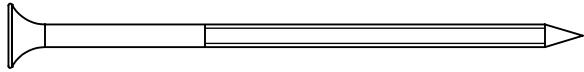
H100468 | BOLT WH BLK
(x4) | 5/16x1



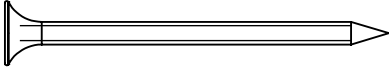
H100405 | WASHER LOCK EXT BLK
(x8) | 6x15

OWNER'S MANUAL - PARTS IDENTIFICATION

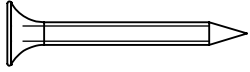
Hardware Components



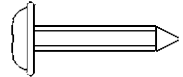
H100362 | SCREW PFH BLK
(x36) | 8x3



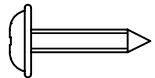
H100391 | SCREW PFH BLK
(x8) | 8x2



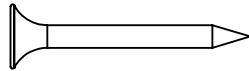
H100387 | SCREW PFH BLK
(x40) | 8x1-1/4



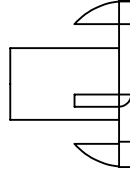
H100392 | SCREW PWH BLK
(x70) | 8x3/4



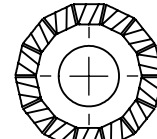
H100202 | SCREW PWH BLK
(x4) | 8x5/8



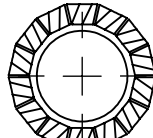
H100200 | SCREW PFH BLK
(x16) | 8x1-1/2



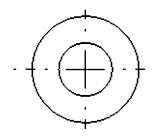
H100379 | T-NUT BLK
(x88) | 5/16



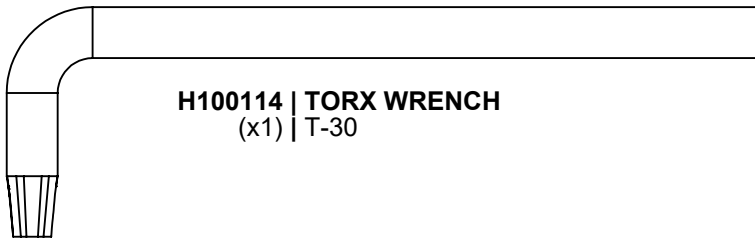
H100198 | WASHER LOCK EXT BLK
(x94) | 8x19



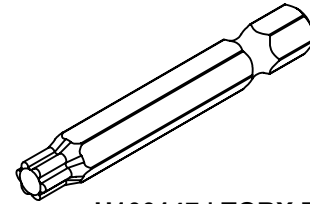
H100199 | WASHER LOCK EXT BLK
(x16) | 12x19



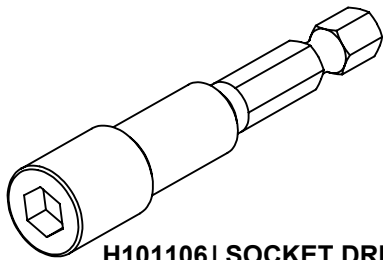
H101133 | WASHER FLAT BLK
(x8) | 7x14



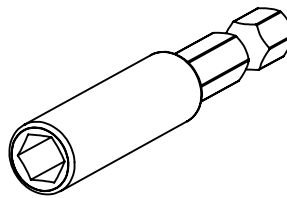
H100114 | TORX WRENCH
(x1) | T-30



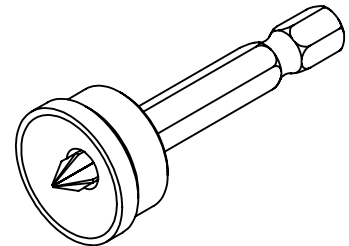
H100147 | TORX BIT
(x1) | T-30



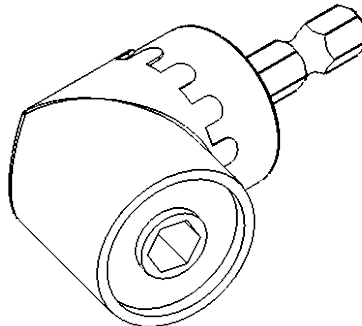
H101106 | SOCKET DRIVER
(x1)



H101100 | MAGNETIC DRIVER
(x1)



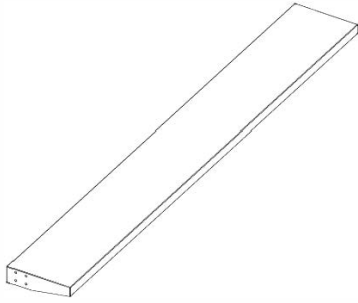
H100764 | SCREW SETTER
(x1)



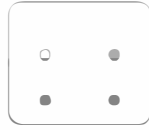
**H101114 | RIGHT ANGLE DRILL
ADAPTER**
(x1)

OWNERS MANUAL - PARTS IDENTIFICATION

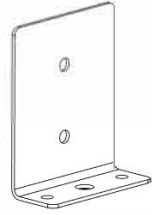
Accessory Components (NOT TO SCALE)



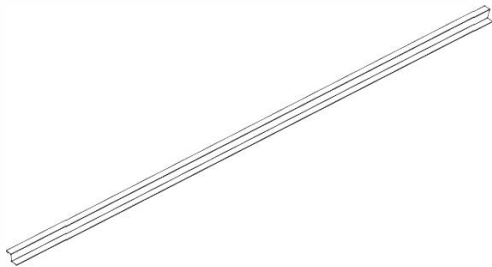
A4M03453 FRONT TABLE TOP
(x1)



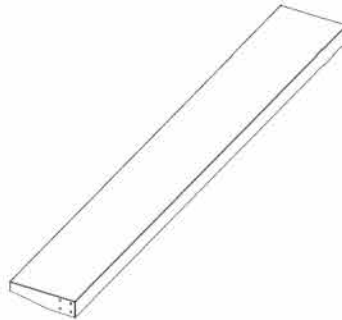
A4M02942 PANEL SUPPORT STRAP
(x11)



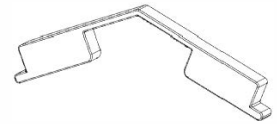
A4M01478 POST ANCHORING PLATE
(x8)



A4M03460 ROOF END TRIM
(x2)



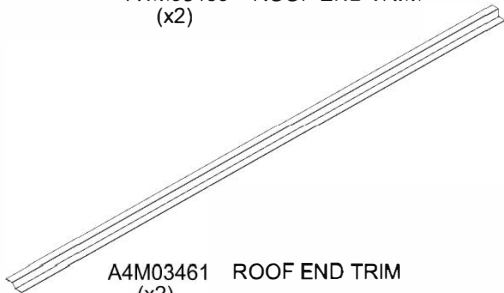
A4M03454 SERVING TABLE
(x1)



A6P00398 RIDGE CAP PROTECTOR
(x2)



A4M01228 RAFTER CLIP
(x4)



A4M03461 ROOF END TRIM
(x2)



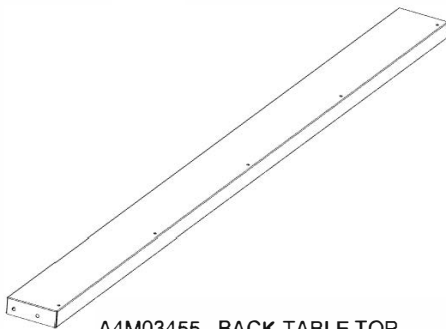
A4M03123 BACK BRACKET - SMALL
(x8)



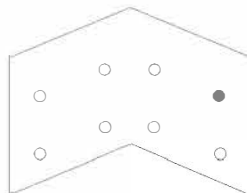
A4M01477 POST PLATE
(x8)



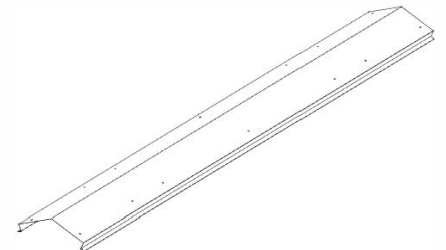
A4M03457 L BRACKET
(x8)



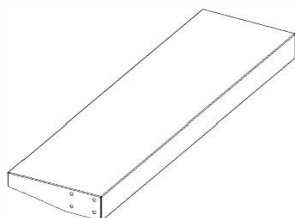
A4M03455 BACK TABLE TOP
(x1)



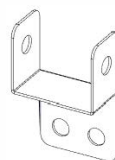
A4M04002 GABLE BRACKET
(x2)



A4M02946 RIDGE CAP 29GA
(x1)



A4M02828 TABLE TOP
(x1)



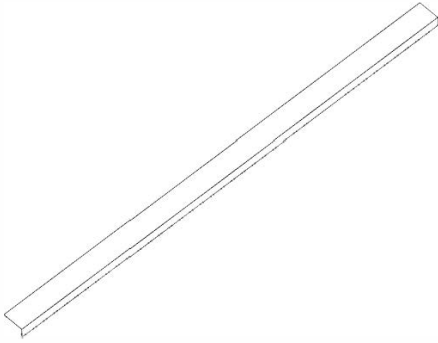
A4M04001 RAFTER BEAM BRACKET
(x2)



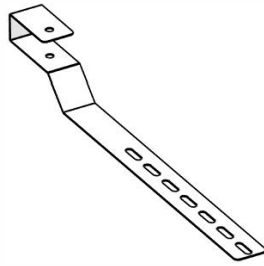
A4M02158 BYD ID TAG
(x1)

OWNERS MANUAL - PARTS IDENTIFICATION

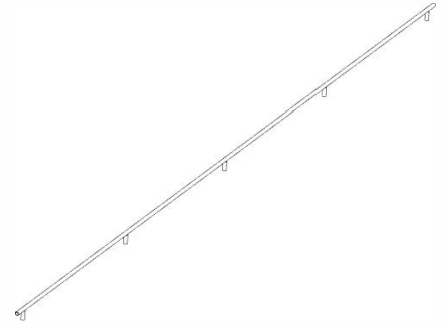
Accessory Components (NOT TO SCALE)



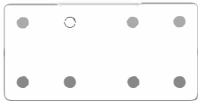
A4M03433 ROOF EDGE TRIM
(x2)



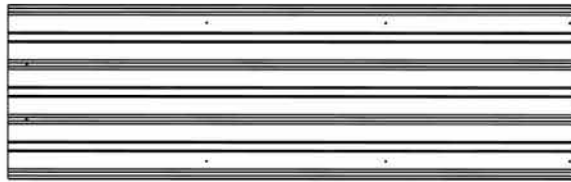
A4M04015 TV BRACKET
(x2)



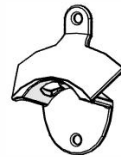
A4M03456 SHELF RAIL
(x1)



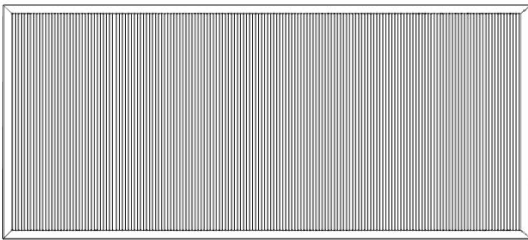
A4M03502 GABLE SUPPORT BRACKET
(x1)



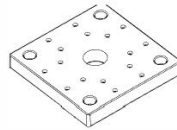
A4M04003 29GA STEEL SHEETING
(x8)



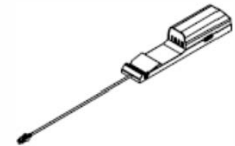
A4M01187 BOTTLE OPENER
(x1)



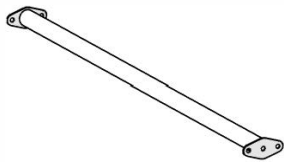
A4M02949 CORRUGATED WALL PANEL - SHORT
(x1)



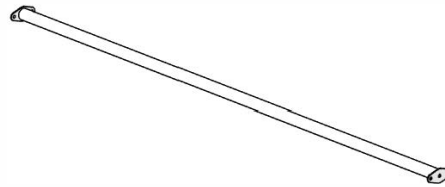
A6P00500 PLASTIC POST FOOT
(x4)



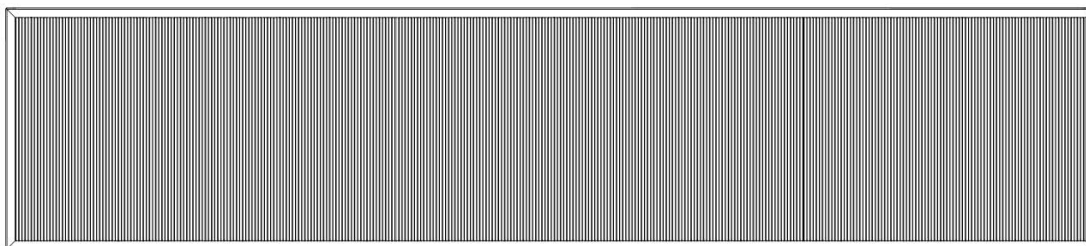
9240063 ELECTRICAL ENCLOSURE
(x1)



A4M04067 SHORT FOOT REST
(x1)



A4M04066 LONG FOOT REST
(x1)



A4M03451 CORRUGATED WALL PANEL - LONG
(x3)

PRE-ASSEMBLY STEP 1 - SORTING WOOD PARTS

It is critical for ease of assembly that you take the time to sort and organize the wood and hardware.

WOOD PARTS:

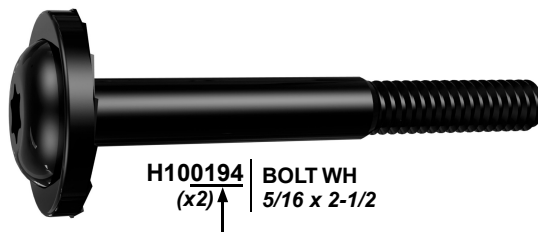
- Organize wood parts by the three-digit, alpha-numeric number stamped on each board (ex. P01).
- If there are multiple boards with the same stamped number, stack those pieces together.
- Stamps can be found on the flat surface of the boards or on the end of the boards.
- Allow yourself plenty of room - the wood pieces can take up a significant amount of space.

NOTE: CARTONS ARE NOT ORGANIZED BY BOARD NUMBER.



HARDWARE PARTS:

- We recommend that you have a separate table to organize the hardware.
- Hardware bags are printed with a seven-digit, alpha-numeric part number.
- You can organize your hardware by part number or group by hardware type (i.e. bolts, nuts, etc.).
- During assembly you only need to reference the last four digits of the number.



PRE-ASSEMBLY STEP 2 - TOOLS REQUIRED



Cordless Drill
or Electric Drill



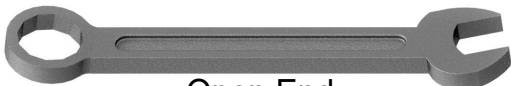
Drill
Attachments:
Phillips Head



1/8", 3/16", 3/8" &
7/16" Drill Bits



Phillips Screw Driver



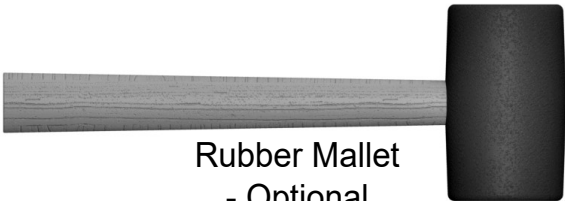
Open End
Wrenches 1/2" &
9/16"



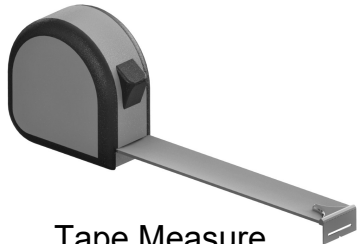
3/8" Drive Ratchet, 1/2" &
7/16" STD Sockets 1/2" & 7/16"
Deep Sockets



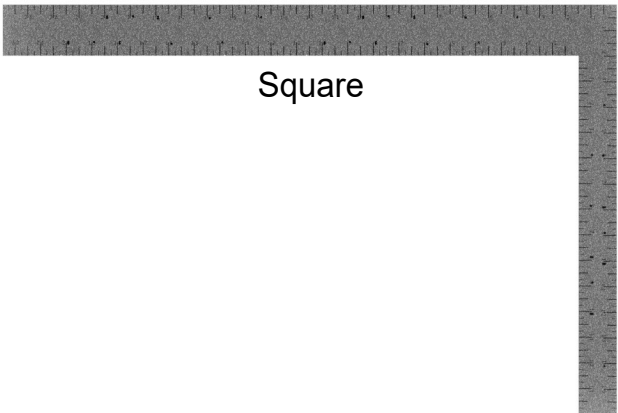
Claw Hammer



Rubber Mallet
- Optional



Tape Measure



Square




Level 24"

PRE-ASSEMBLY STEP 3 - CHOOSE YOUR ASSEMBLY METHOD

There are several types of assembly instructions available to you.


1. Printed Assembly Manual included with your set
2. BILT APP - 3D interactive instructions
3. Combination of the Printed Manual and BILT APP (Note: Step numbers can differ between the two methods)



BILT.

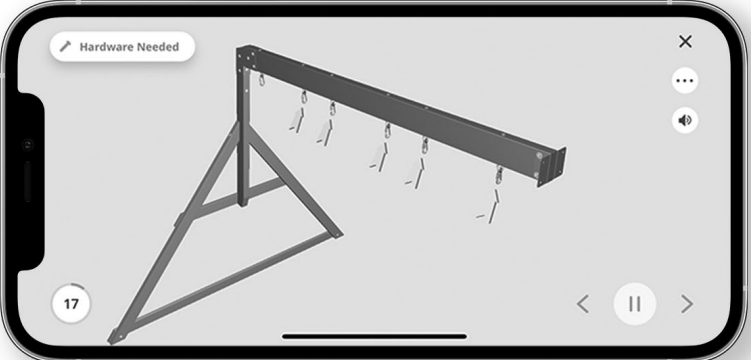
Scan for easy
3D instructions

Download the BILT app
before you begin



Download on the
App Store

GET IT ON
Google Play



Hardware Needed

17

< || >

The image shows a smartphone screen displaying a 3D assembly instruction. The screen features a 3D model of a metal frame with a horizontal bar and several hanging components. A 'Hardware Needed' button is visible in the top left corner of the app interface. The number '17' is shown in a circle in the bottom left corner, and navigation arrows and a pause button are in the bottom right corner.

STEP 1 - OURDOOR BAR ASSEMBLY

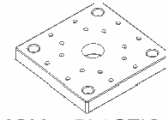
QTY	PART NUMBER	DESCRIPTION
16	H100200	SCREW PFH 8x1 1/2 BLK

P01 POST - W2A04370
(x1) 4 3/4"x4 3/4"x89 1/2" (120x120x2274)

P02 POST - W2A04371
(x1) 4 3/4"x4 3/4"x89 1/2" (120x120x2274)

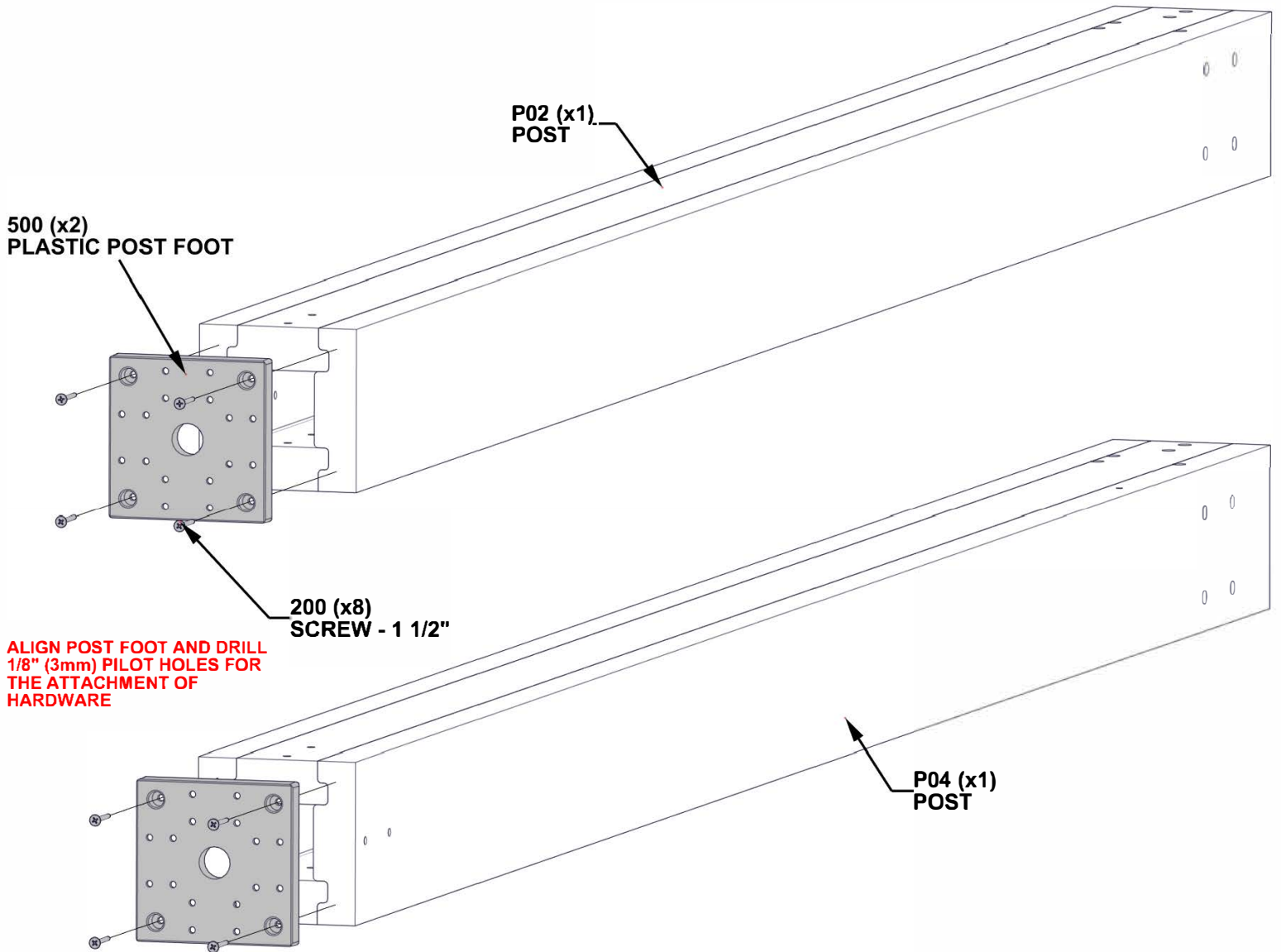
P03 POST - W2A04372
(x1) 4 3/4"x4 3/4"x89 1/2" (120x120x2274)

P04 POST - W2A04373
(x1) 4 3/4"x4 3/4"x89 1/2" (120x120x2274)



A6P00500 PLASTIC POST FOOT
(x4)

- REPEAT THIS STEP FOR P01 AND P03



STEP 2 - OUTDOOR BAR ASSEMBLY

QTY	PART NUMBER	DESCRIPTION
4	H100195	BOLT WH 5/16x2 3/4 BLK
4	H100198	WASHER LOCK EXT 8x19
4	H100379	TNUT-5/16" BLK



E01 CORBEL - W4L19999
(x1) 1 7/16"x3 3/8"x15 13/16" (36x86x401)



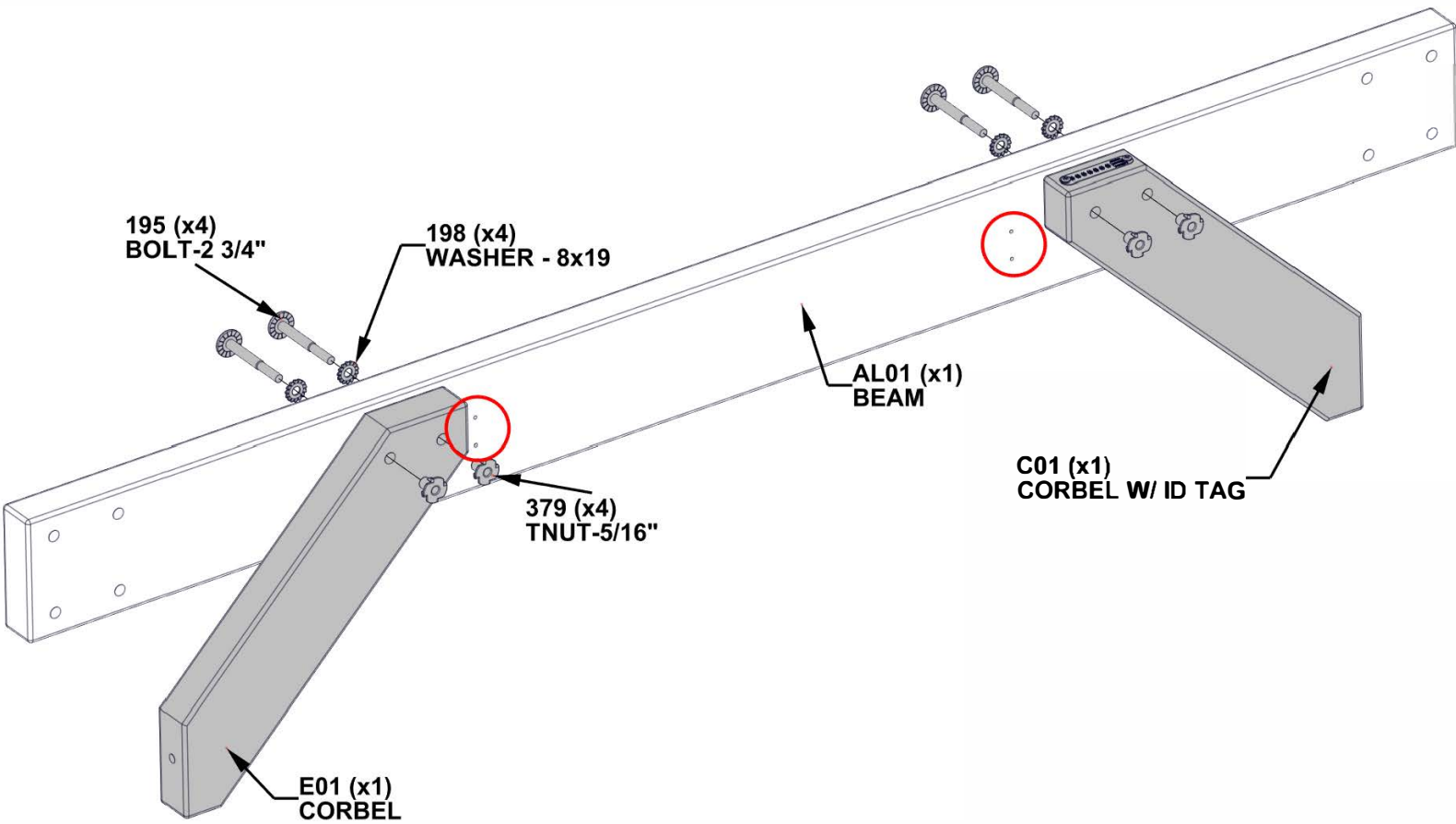
C01 CORBEL W/ ID TAG - W2A04478
(x1) 1 7/16"x3 3/8"x15 13/16" (36x86x401)



AL01 BEAM - W4L20294
(x1) 1 7/16"x4 7/16"x54" (36x112x1372)

- NOTE ORIENTATION OF PILOT HOLES.

- INSERT T-NUTS FIRST.



STEP 3 - OUTDOOR BAR ASSEMBLY

QTY	PART NUMBER	DESCRIPTION
4	H100379	TNUT-5/16" BLK
4	H100198	WASHER LOCK EXT 8x19
4	H100195	BOLT WH 5/16x2 3/4 BLK



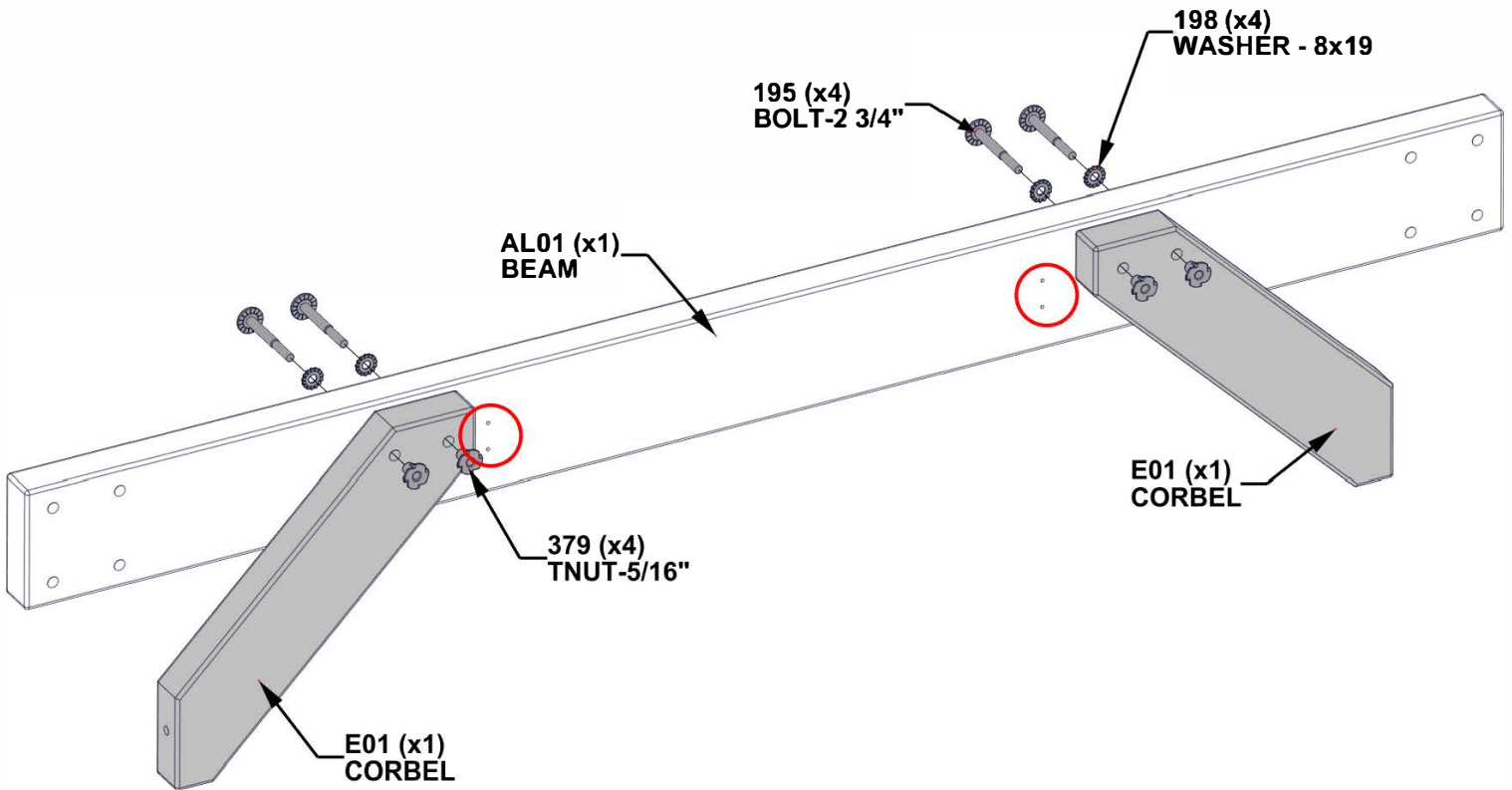
E01 CORBEL - W4L19999
(x2) 1 7/16"x3 3/8"x15 13/16" (36x86x401)



AL01 BEAM - W4L20294
(x1) 1 7/16"x4 7/16"x54" (36x112x1372)

- NOTE ORIENTATION OF PILOT HOLES.

- INSERT T-NUTS FIRST.



STEP 4 - OUTDOOR BAR ASSEMBLY

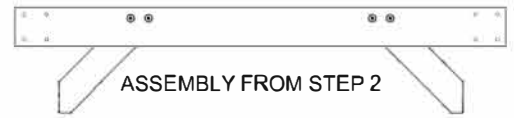
QTY	PART NUMBER	DESCRIPTION
8	H100198	WASHER LOCK EXT 8x19
8	H100363	BOLT WH 5/16x6 BLK
8	H100379	T-NUT 5/16 BLK
2	H100405	WASHER LOCK EXT 6x15
2	H100792	LAG SCREW WH 1/4x3 BLK



P03 ASSEMBLY FROM STEP 1

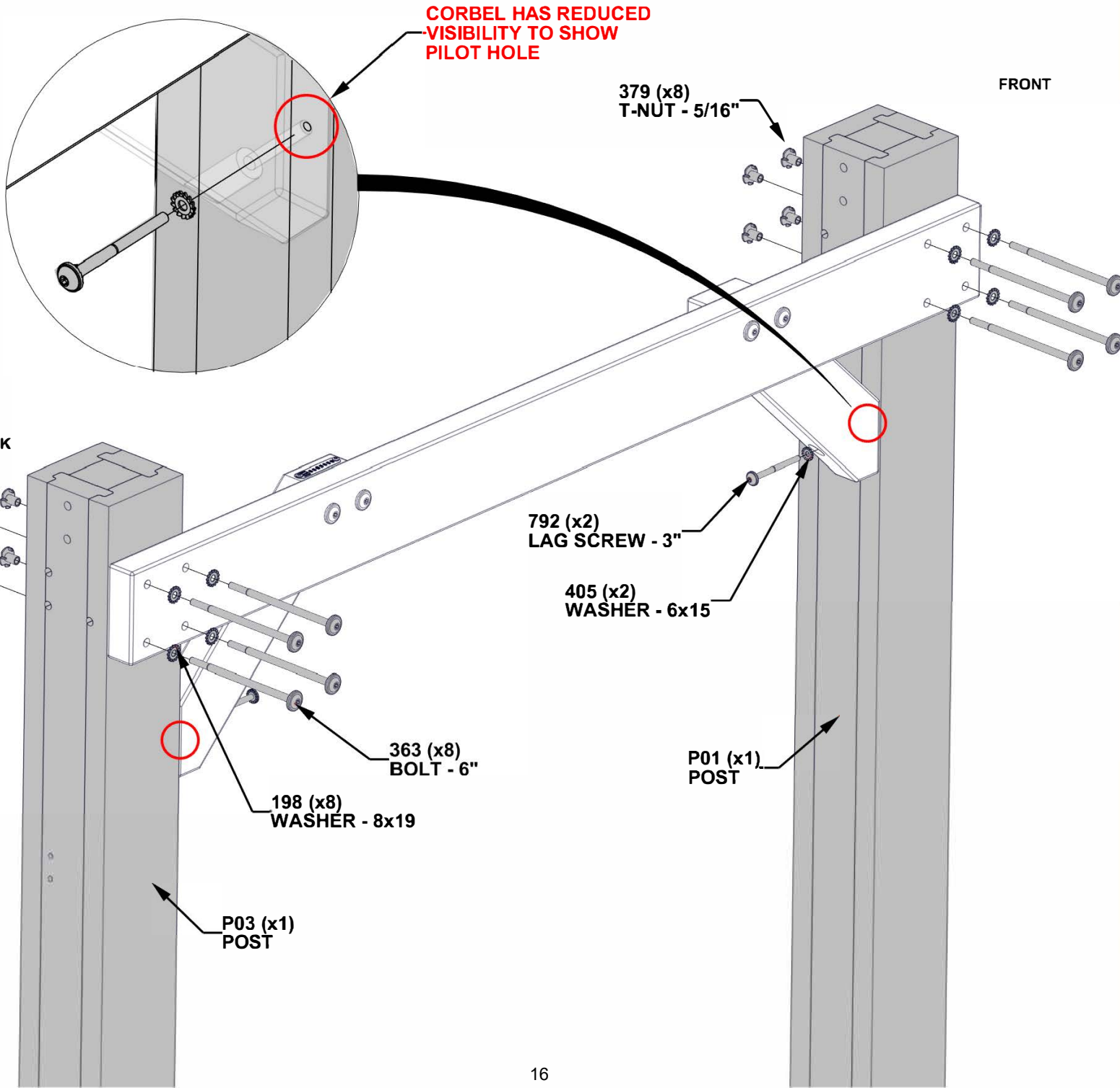


P01 ASSEMBLY FROM STEP 1



ASSEMBLY FROM STEP 2

- **NOTE THE ORIENTATION OF PILOT HOLES FOR 792 LAG SCREW ON BOTH POST.**
- INSERT T-NUTS FIRST.
- IMPORTANT TO NOTE THAT C01 CORBEL WITH THE PRODUCT ID TAG GOES TOWARDS THE BACK.



STEP 5 - OUTDOOR BAR ASSEMBLY

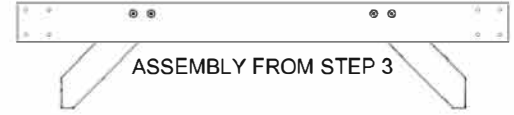
QTY	PART NUMBER	DESCRIPTION
8	H100198	WASHER LOCK EXT 8x19
8	H100363	BOLT WH 5/16x6 BLK
8	H100379	T-NUT 5/16 BLK
2	H100405	WASHER LOCK EXT 6x15
2	H100792	LAG SCREW WH 1/4x3 BLK



P04 ASSEMBLY FROM STEP 1

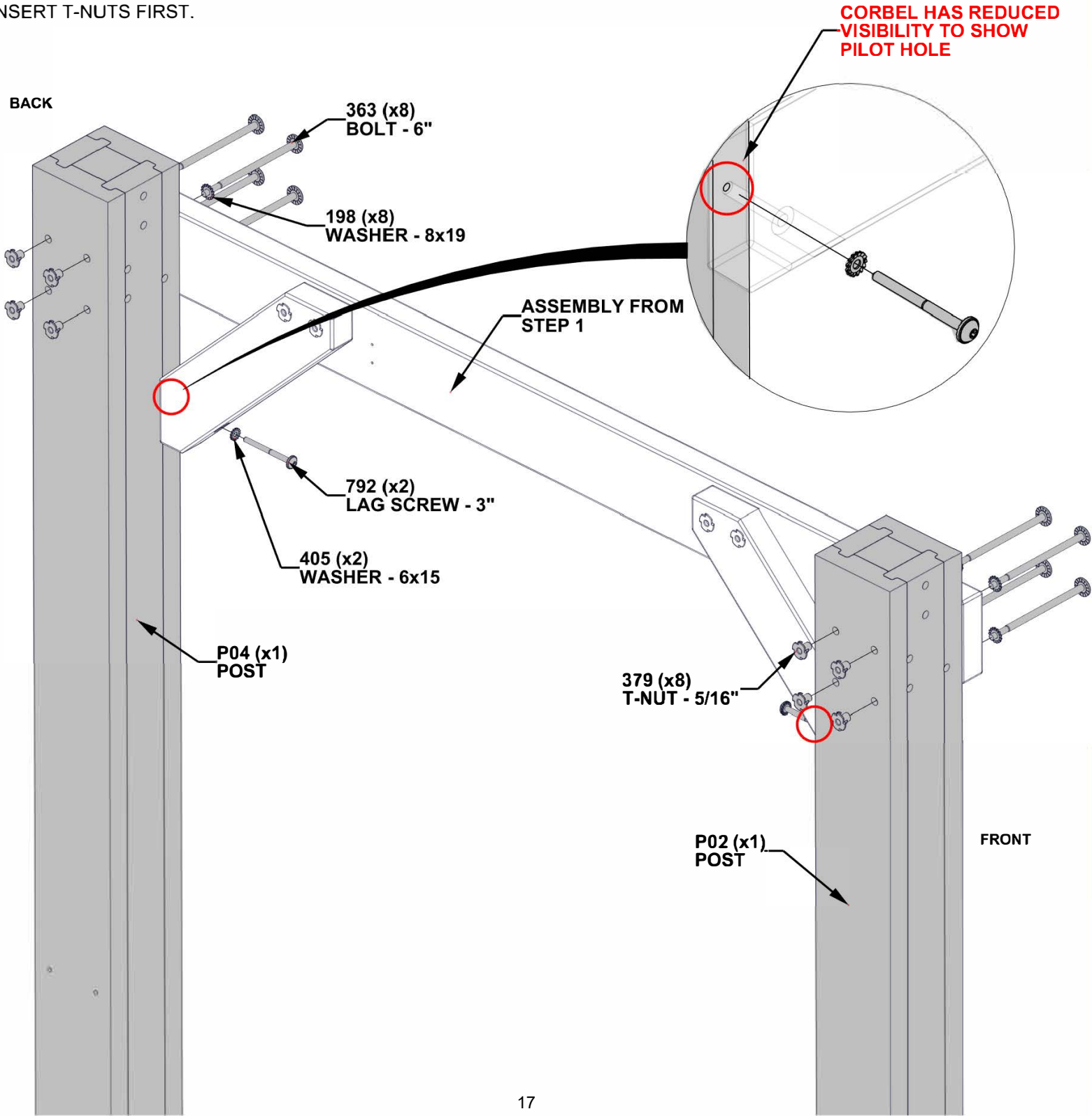


P02 ASSEMBLY FROM STEP 1



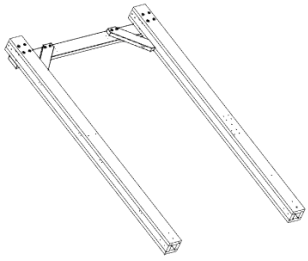
ASSEMBLY FROM STEP 3

- NOTE THE ORIENTATION OF PILOT HOLES FOR 792 LAG SCREWS ON BOTH POSTS.
- INSERT T-NUTS FIRST.



STEP 6 - OUTDOOR BAR ASSEMBLY

QTY	PART NUMBER	DESCRIPTION
12	H100198	WASHER LOCK EXT 8x19
12	H100363	BOLT WH 5/16x6 BLK
12	H100379	T-NUT 5/16 BLK



ASSEMBLY FROM STEP 4



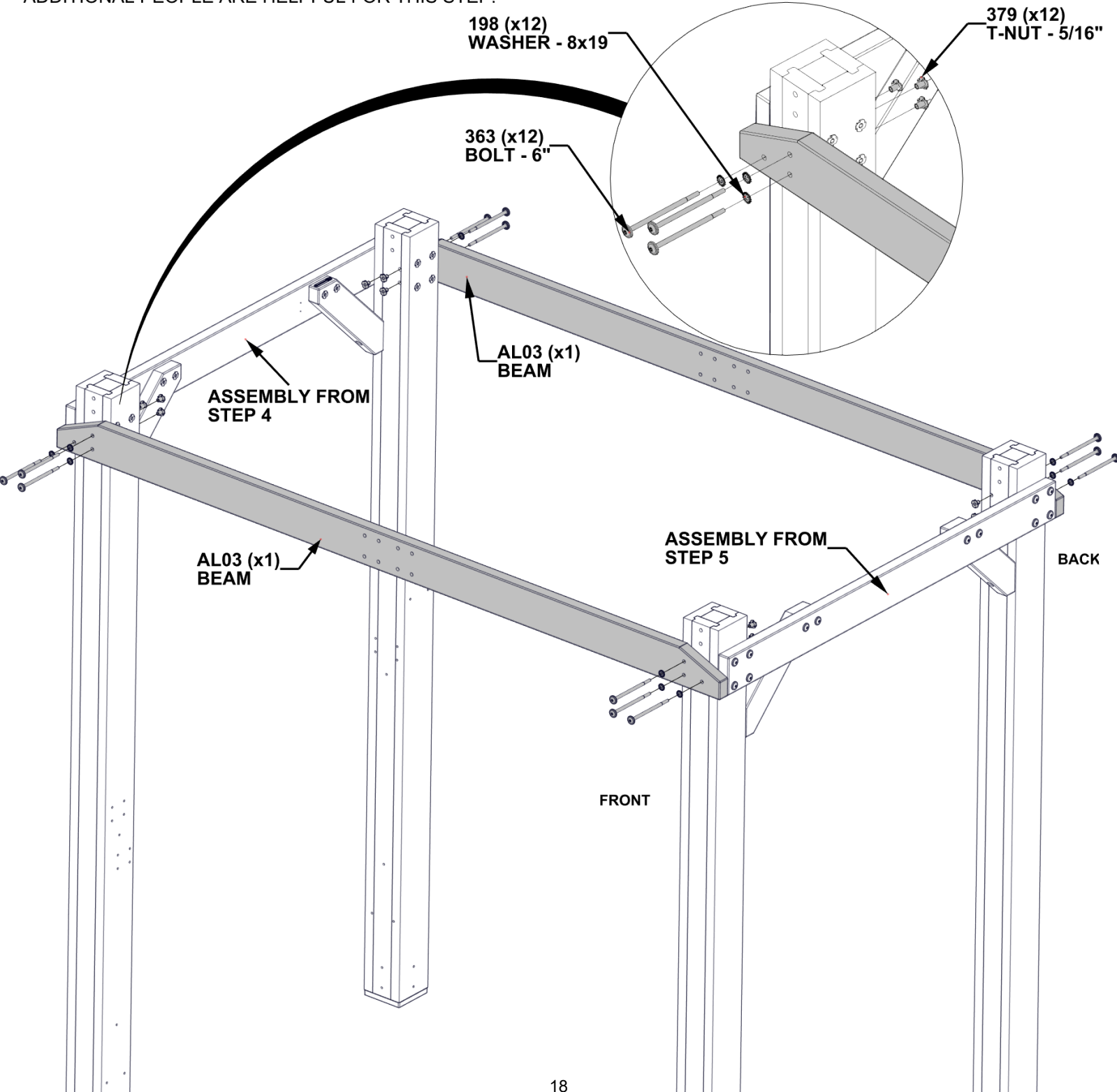
ASSEMBLY FROM STEP 5



AL03 BEAM - W4L20536
(x2) 1 7/16"x4 7/16"x89 1/2" (36x112x2274)

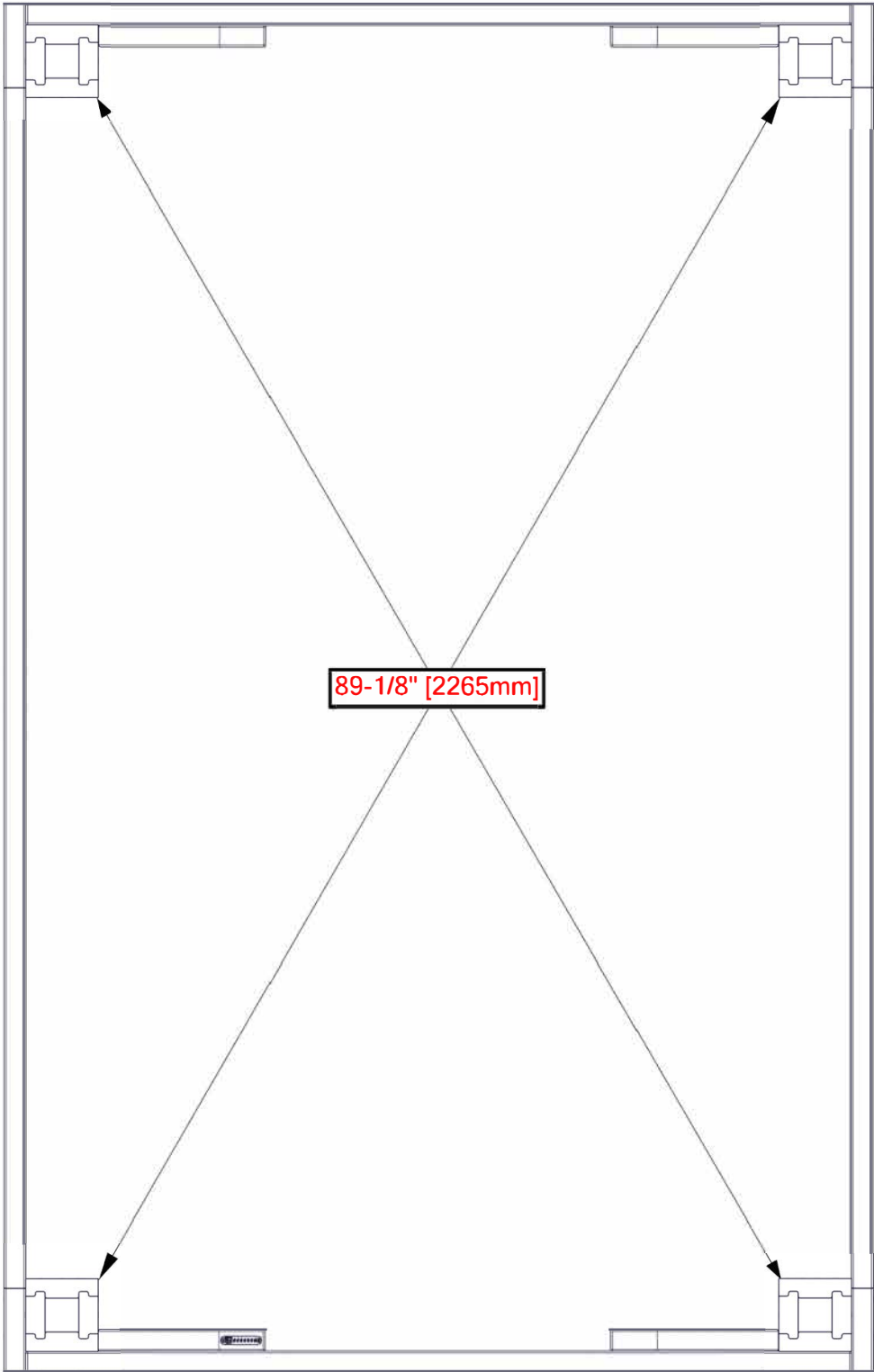
- INSERT T-NUTS FIRST

- ADDITIONAL PEOPLE ARE HELPFUL FOR THIS STEP.

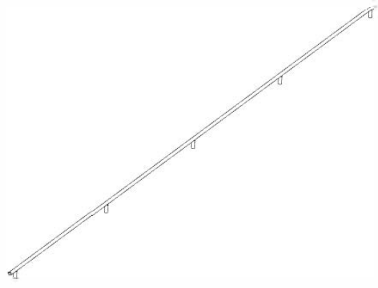


STEP 7 - OUTDOOR BAR ASSEMBLY

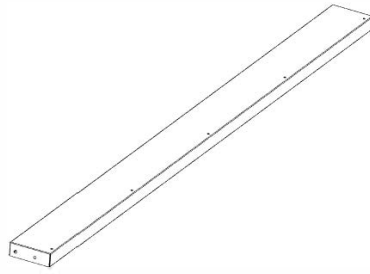
- CRITICAL:**
- SQUARE UNIT BEFORE PROCEEDING TO NEXT STEPS.
 - THE BELOW DIMENSIONS ARE CRITICAL TO THE FINAL ASSEMBLY.
 - MEASUREMENTS SHOULD BE WITHIN +/- 1/4" (6mm).
 - MEASUREMENTS OUTSIDE OF TOLERANCE WILL LEAD TO ISSUES ON FUTURE ASSEMBLY STEPS.



STEP 8 - TABLE ASSEMBLY

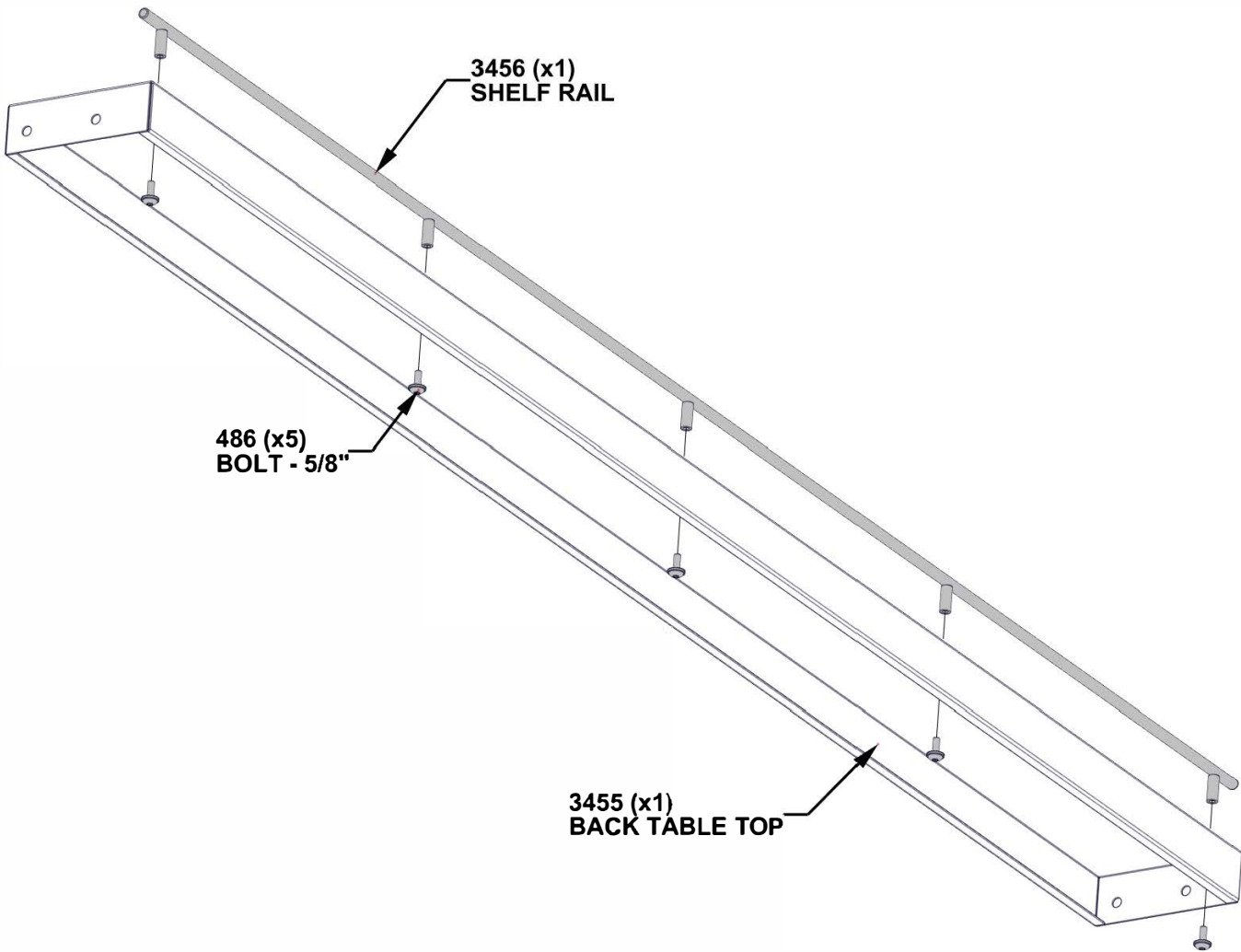


A4M03456 SHELF RAIL
(x1)



A4M03455 BACK TABLE TOP
(x1)

QTY	PART NUMBER	DESCRIPTION
5	H100486	BOLT WH 1/4x5/8 BLK



STEP 9 - TABLE ASSEMBLY

QTY	PART NUMBER	DESCRIPTION
4	H100471	LAG SCREW WH 5/16x1 1/2 BLK

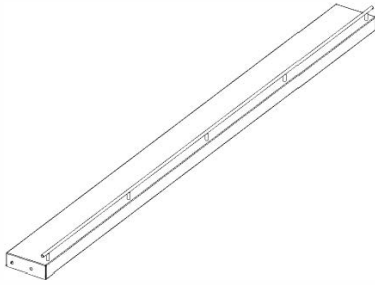
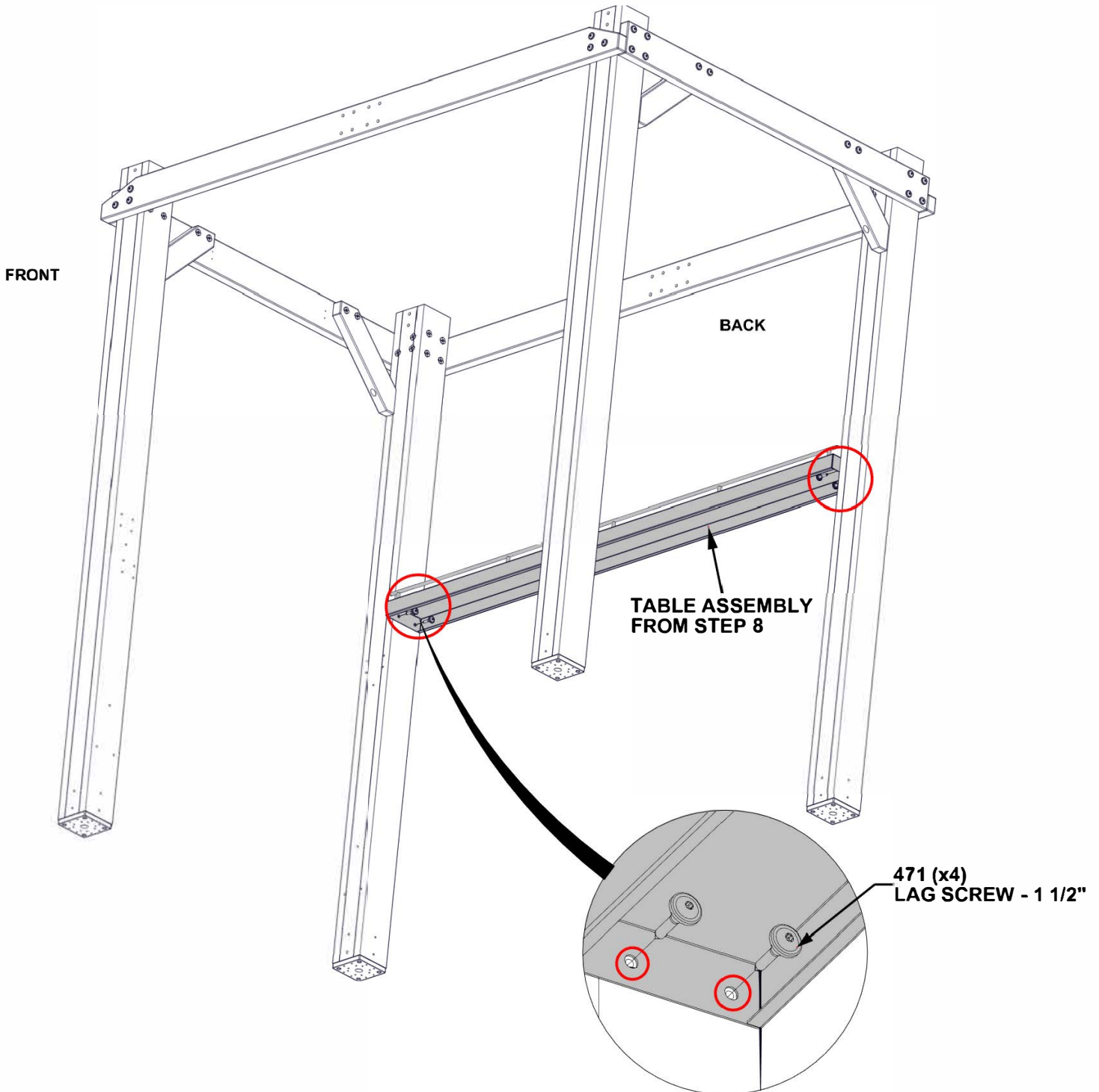


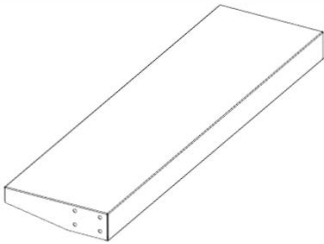
TABLE ASSEMBLY FROM STEP 8

- TO ENSURE TABLE IS INSTALLED CORRECTLY, RAIL SHOULD GO TOWARD FRONT OF BAR.
- ALIGN HOLES IN TABLE WITH PILOT HOLES ON BOTH BACK POSTS AS SHOWN BELOW.
- ADDITIONAL PEOPLE ARE HELPFUL FOR THIS STEP.



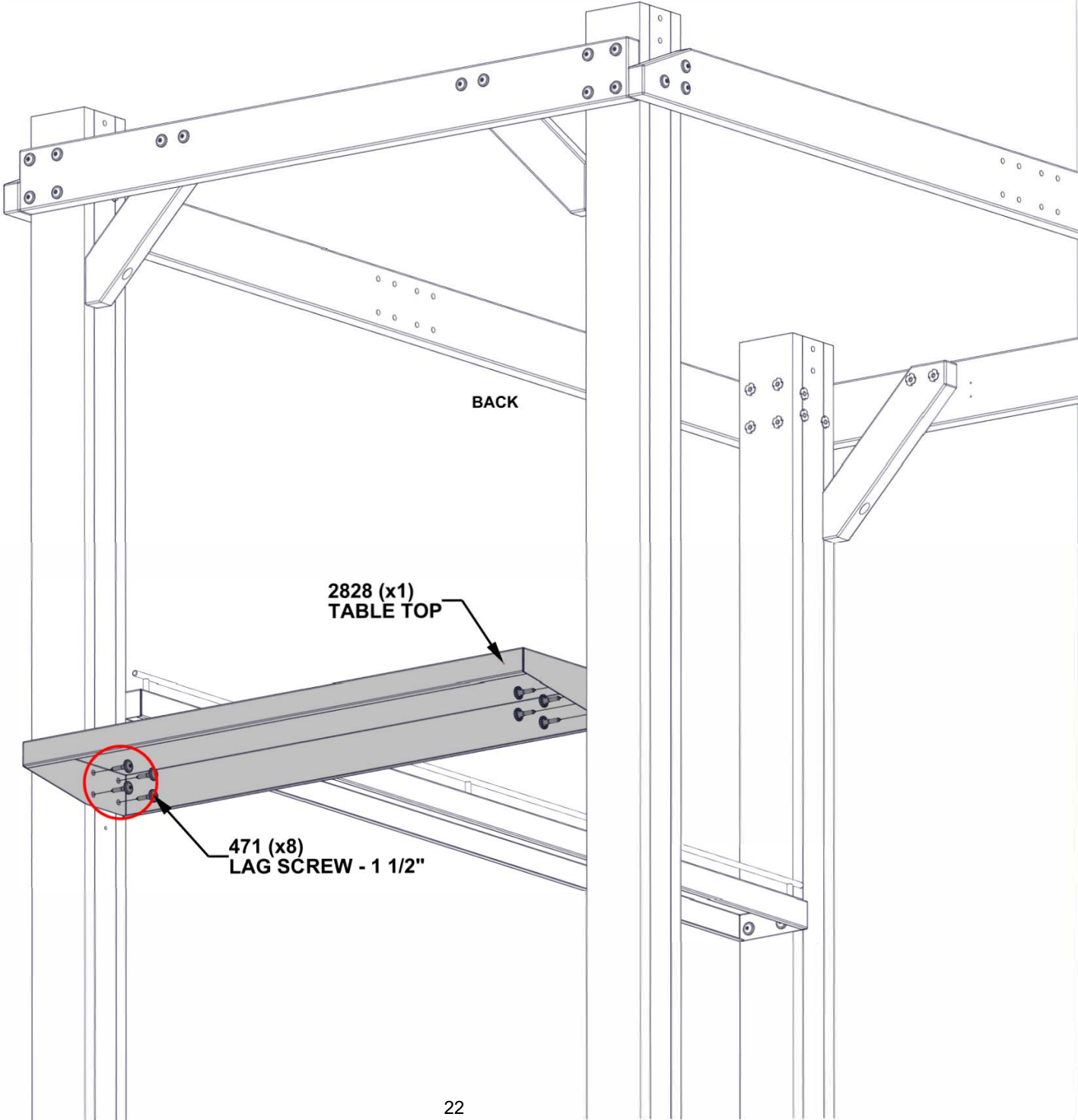
STEP 10 - TABLE ASSEMBLY

QTY	PART NUMBER	DESCRIPTION
8	H100471	LAG SCREW WH 5/16x1 1/2 BLK



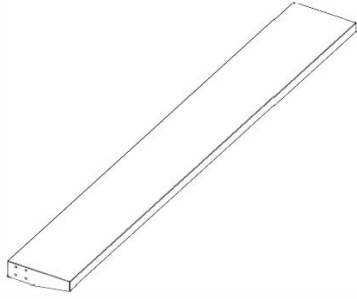
A4M02828 TABLE TOP
(x1)

- ALIGN HOLES WITH PILOT HOLES ON BOTH POSTS.
- ADDITIONAL PEOPLE ARE HELPFUL FOR THIS STEP



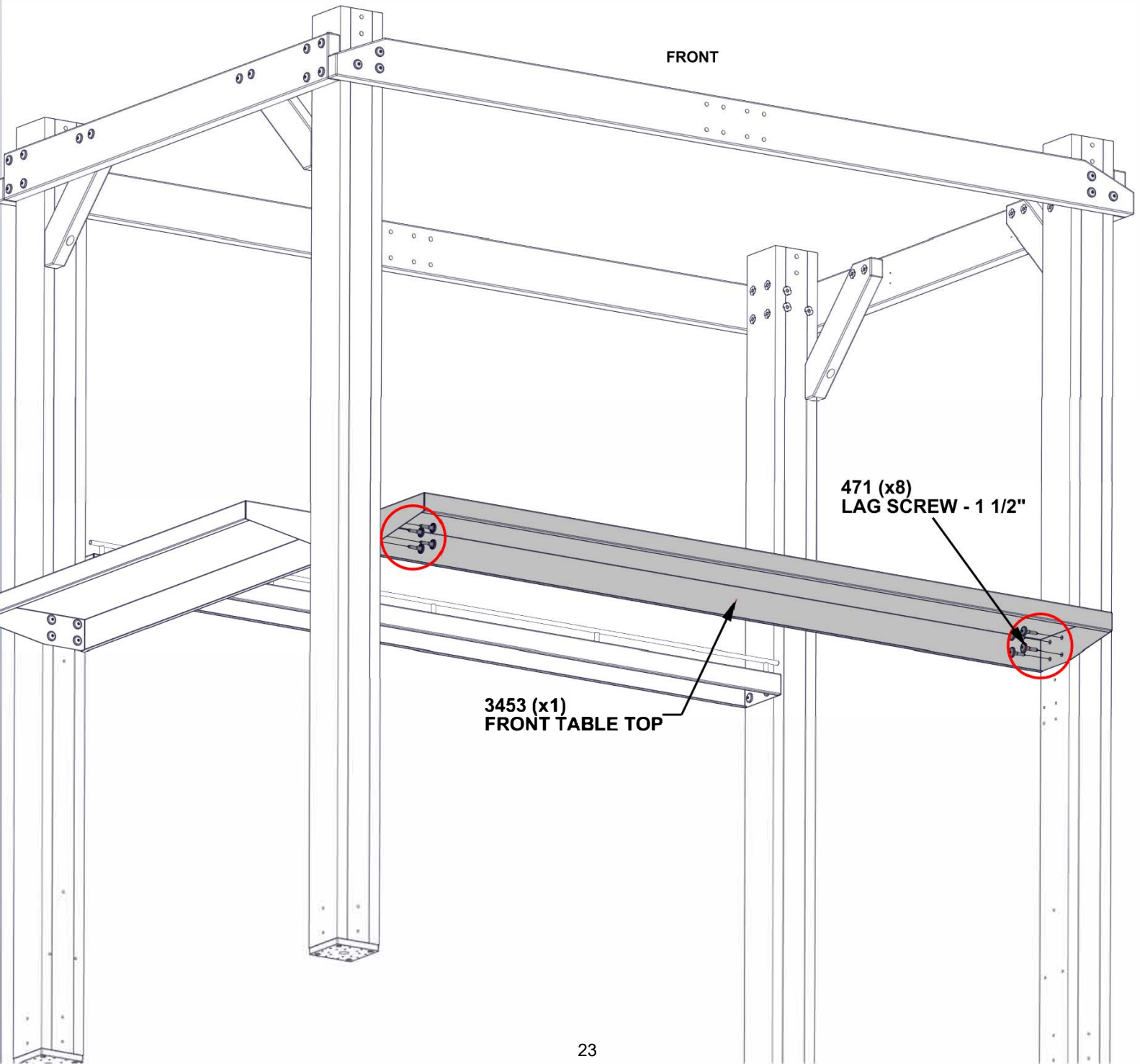
STEP 11 - TABLE ASSEMBLY

QTY	PART NUMBER	DESCRIPTION
8	H100471	LAG SCREW WH 5/16x1 1/2 BLK



A4M03453 FRONT TABLE TOP
(x1)

- ALIGN HOLES WITH TOP SET OF PILOT HOLES ON POSTS.
- ADDITIONAL PEOPLE ARE HELPFUL FOR THIS STEP.

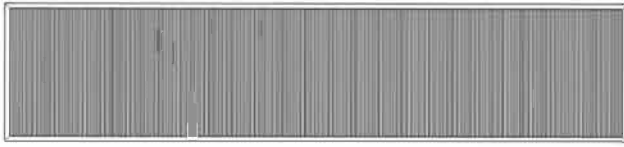


STEP 12A - BACK WALL ASSEMBLY

QTY	PART NUMBER	DESCRIPTION
16	H100199	WASHER LOCK EXT 12x19
16	H100392	SCREW PWH 8x3/4 BLK
16	H100459	BOLT WH 5/16x1 1/4 BLK
16	H100469	NUT BARREL WH 5/16X5/8 BLK



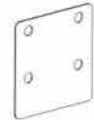
E02 PANEL BOARD - W4L20019
(x4) 77 1/4"x3 3/8"x1 7/16" (36x86x1962)



A4M03451 CORRUGATED WALL PANEL- LONG
(x2)

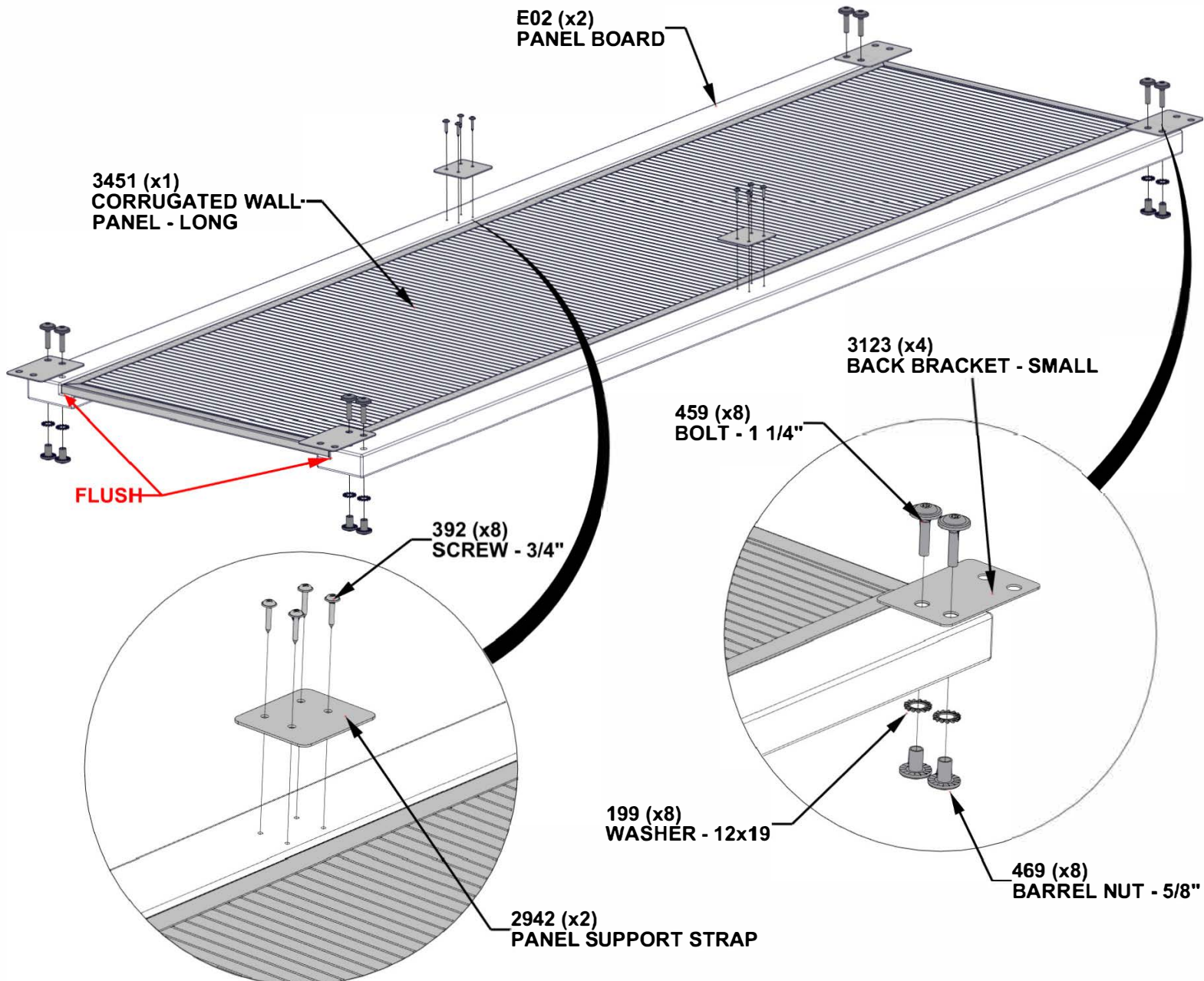


A4M02942 (x4) PANEL SUPPORT STRAP



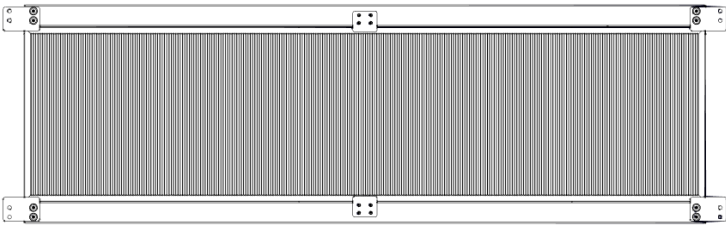
A4M03123 (x8) BACK BRACKET - SMALL

- COMPLETE THIS STEP TWICE.
- SUPPORT STRAP MUST OVERLAP PANEL TO HOLD CORRUGATED SHEET IN PLACE.
- ENSURE E02 BOARDS ARE FLUSH WITH END OF WALL PANEL.
- NOTE POSITION OF SUPPORT STRAP 2942 AND BRACKET 3123 ARE ORIENTED CORRECTLY.
- SUPPORT STRAP MUST OVERLAP PANEL TO HOLD CORRUGATED SHEET IN PLACE.
- ALIGN 2942 BRACKET WITH PILOT HOLES IN E02 BOARD.



STEP 12B - BACK WALL ASSEMBLY

QTY	PART NUMBER	DESCRIPTION
16	H100471	LAG SCREW WH 5/16x1 1/2 BLK

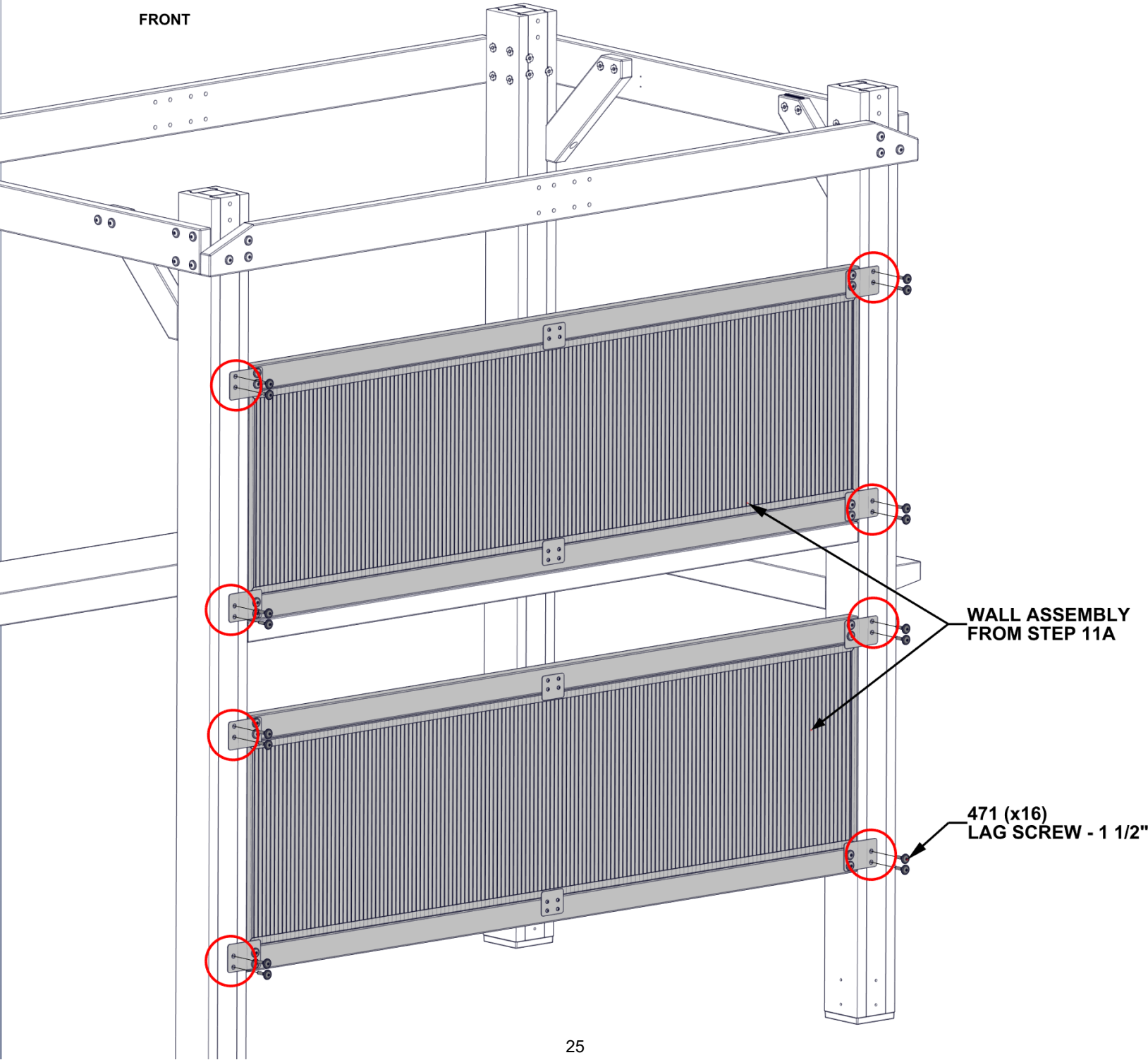


WALL ASSEMBLY FROM STEP 12A
(x2)

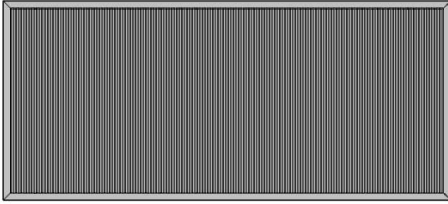
- MAY NEED TO LOOSEN TABLE HARDWARE FROM STEP 9 TO GET THE WALL PANELS TO FIT. AFTER PANELS ARE IN AND FASTENED, TIGHTEN TABLE BACK INTO PLACE.

- ALIGN BRACKET WITH PILOT HOLES ON POSTS.
- ADDITIONAL PEOPLE ARE HELPFUL FOR THIS STEP.

FRONT



STEP 13A - SIDE WALL ASSEMBLY



A4M02949 CORRUGATED WALL PANEL - SHORT
(x1)

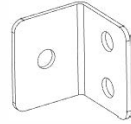


E03 PANEL BOARD - W4L20007
(x2) 1 7/16"x3 3/8"x44 1/2" (36x86x1131)

QTY	PART NUMBER	DESCRIPTION
8	H100198	WASHER LOCK EXT 8x19
16	H100392	SCREW PWH 8x3/4 BLK
8	H100457	BOLT WH 5/16x2 BLK
8	H100479	NUT LOCK 5/16 BLK
8	H100630	WASHER FLAT 8x19 BLK

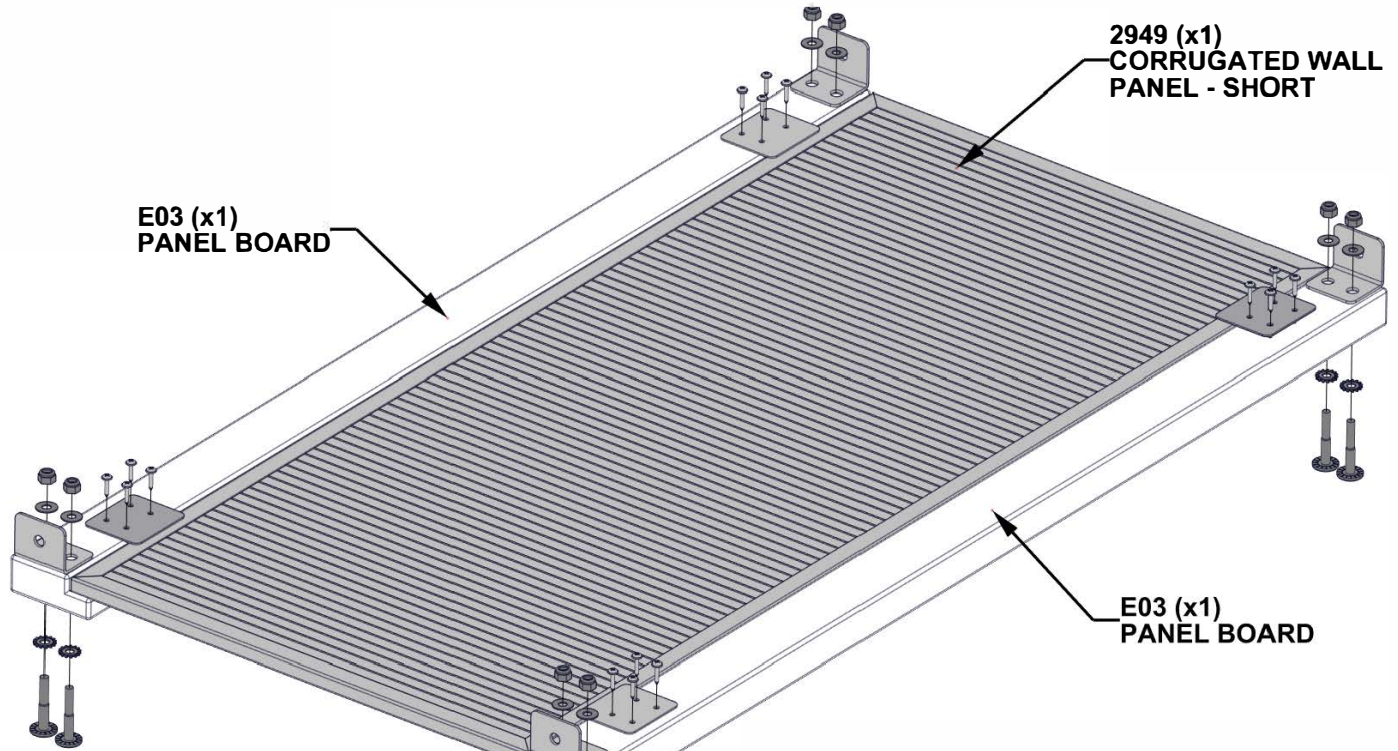


A4M02942 PANEL SUPPORT STRAP
(x4)

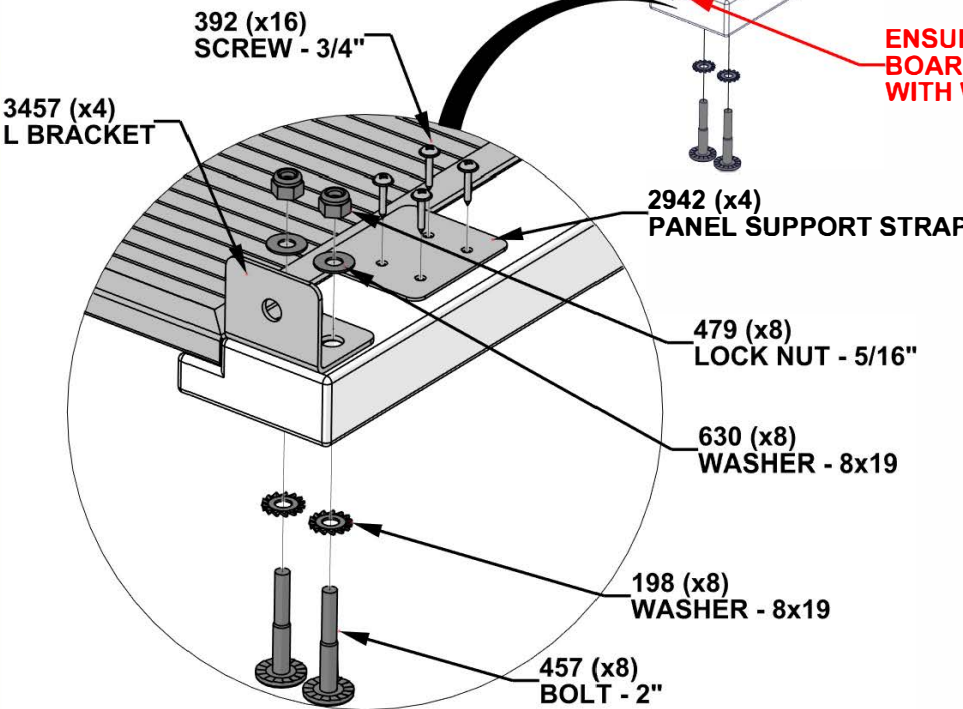


A4M03457 L BRACKET
(x4)

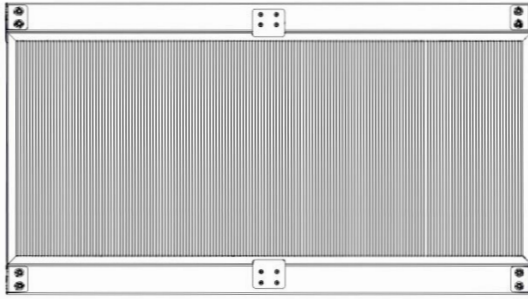
- SUPPORT STRAP MUST OVERLAP PANEL TO HOLD CORRUGATED SHEET IN PLACE.
- ENSURE BRACKET 2942 AND 3457 ARE ORIENTED CORRECTLY.
- ALIGN 2942 BRACKET WITH PILOT HOLES IN E03 BOARDS.



ENSURE END OF BOARD IS FLUSH WITH WALL PANEL



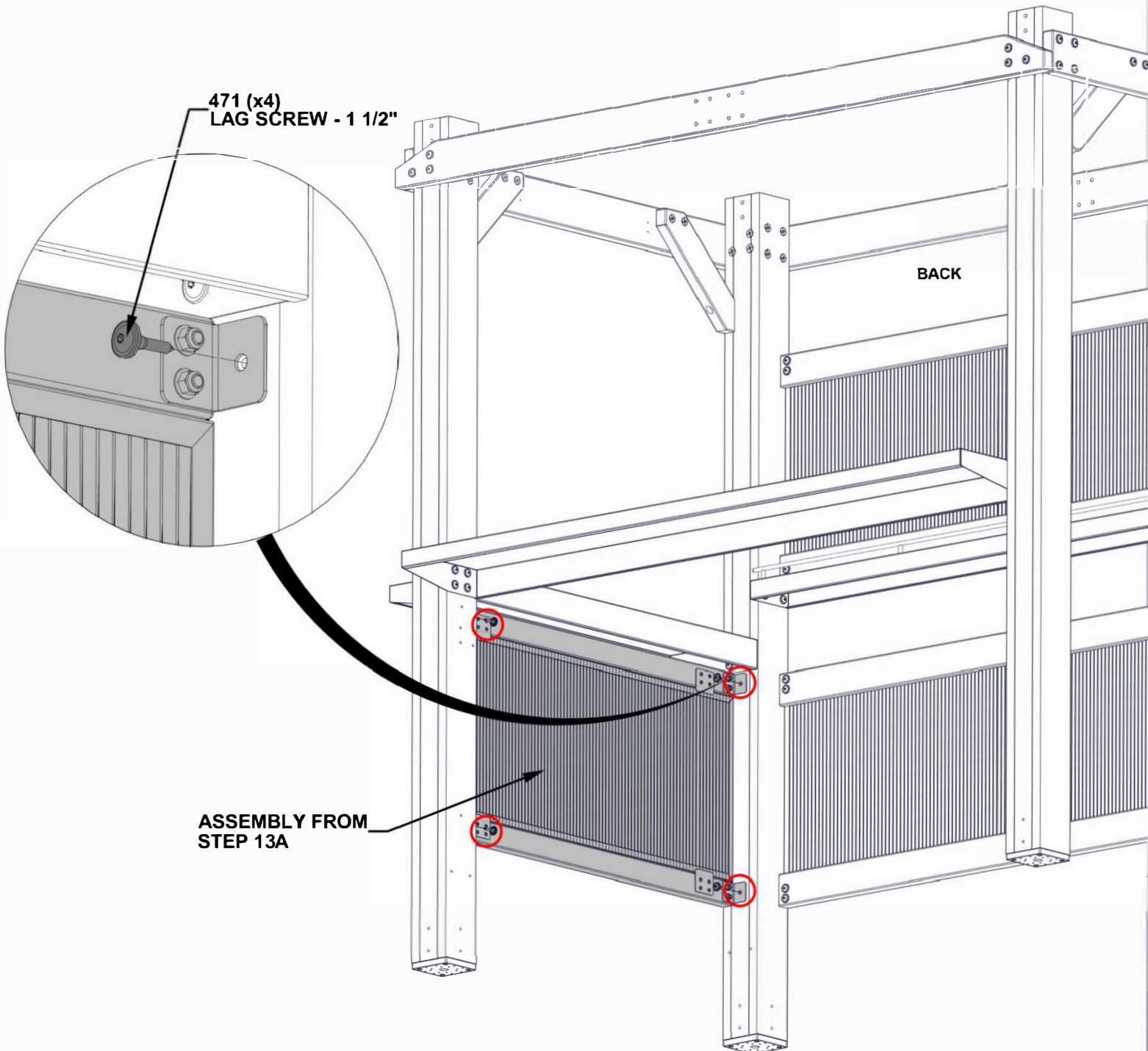
STEP 13B - SIDE WALL ASSEMBLY



ASSEMBLY FROM STEP 13A

QTY	PART NUMBER	DESCRIPTION
4	H100471	LAG SCREW WH 5/16x1 1/2 BLK

- MAY NEED TO LOOSEN TABLE HARDWARE FROM STEP 10 TO GET THE WALL PANELS TO FIT. AFTER PANELS ARE IN AND FASTENED, TIGHTEN TABLE BACK INTO PLACE.
- ALIGN HOLES WITH PILOT HOLES ON POSTS.
- ADDITIONAL PEOPLE ARE HELPFUL FOR THIS STEP.



471 (x4)
LAG SCREW - 1 1/2"

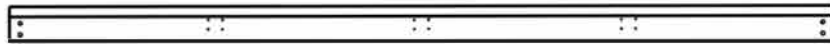
ASSEMBLY FROM
STEP 13A

STEP 14A - FRONT WALL ASSEMBLY

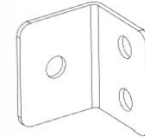
QTY	PART NUMBER	DESCRIPTION
8	H100198	WASHER LOCK EXT 8x19
8	H100457	BOLT WH 5/16x2 BLK
8	H100479	NUT LOCK 5/16 BLK
8	H100630	WASHER FLAT 8x19 BLK



E04 PANEL BOARD - W4L20017
(x1) 1 7/16"x3 3/8"x77 1/4" (36x86x1962)

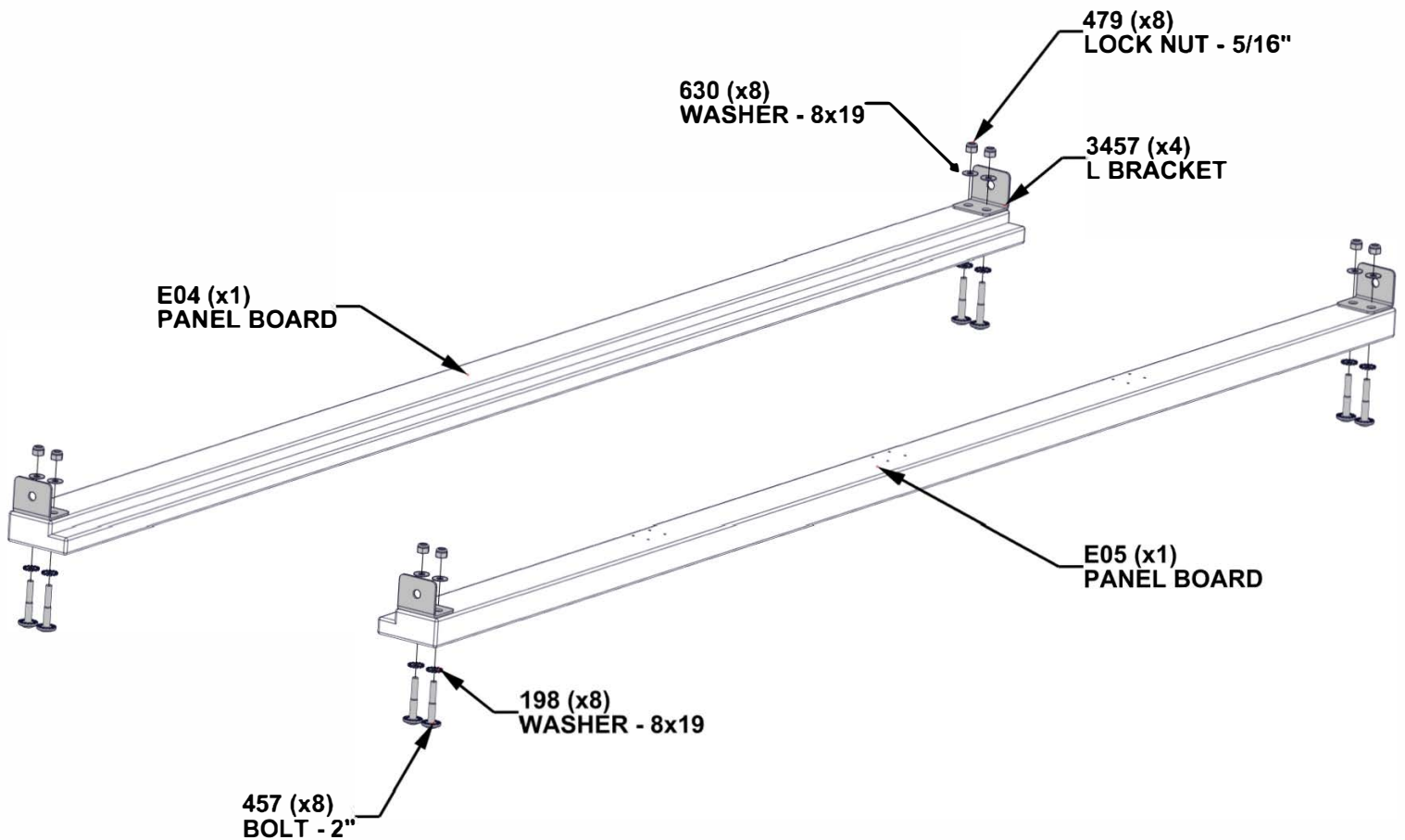


E05 PANEL BOARD - W4L20777
(x1) 77 1/4"x3 3/8"x1 7/16" (36x86x1962)



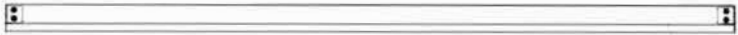
A4M03457 L BRACKET
(x4)

- NOTE ORIENTATION OF L-BRACKET WHEN INSTALLED.

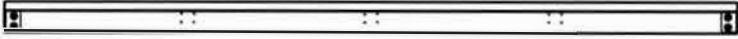


STEP 14B - FRONT WALL ASSEMBLY

QTY	PART NUMBER	DESCRIPTION
4	H100471	LAG SCREW WH 5/16x1 1/2 BLK



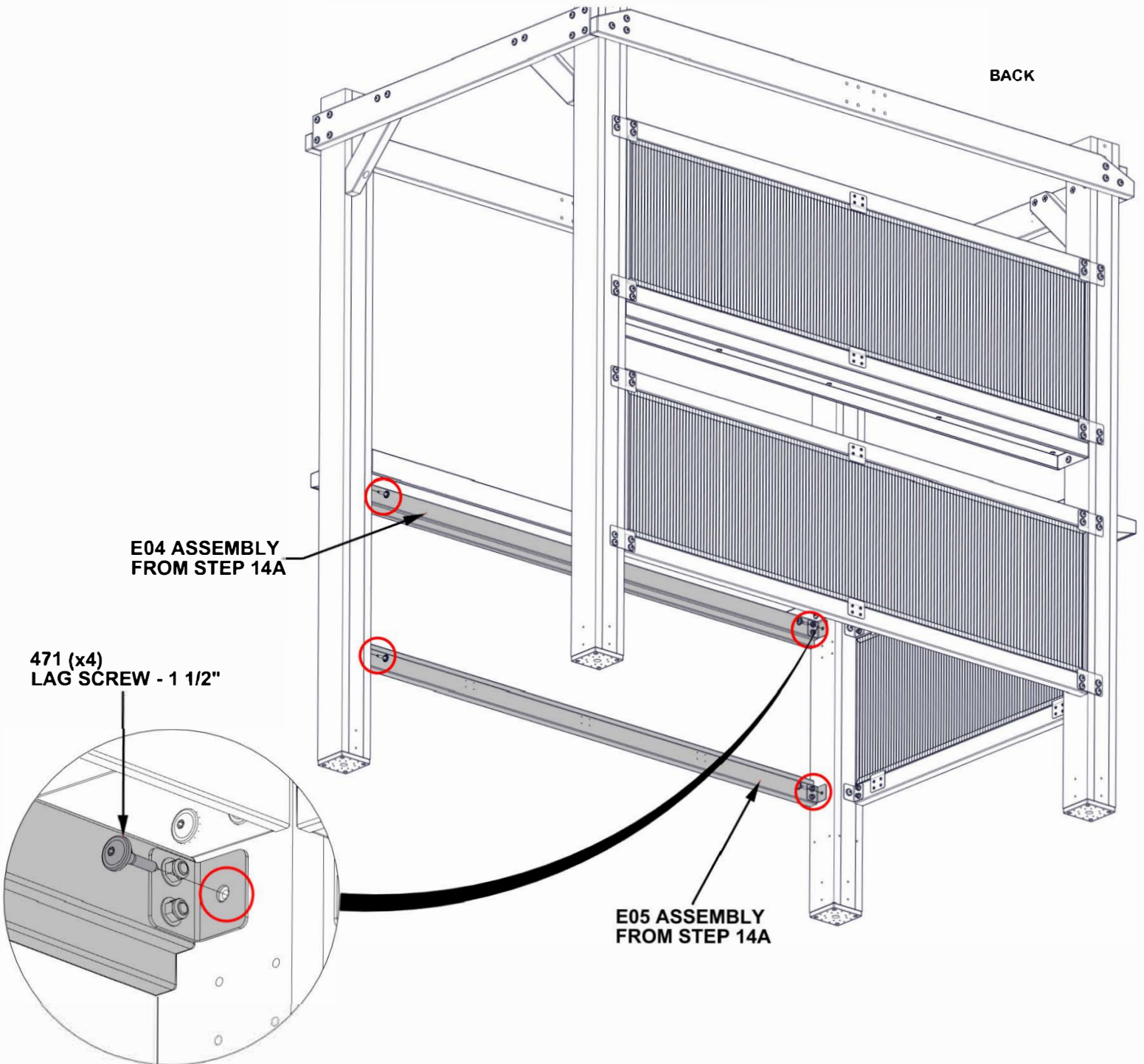
E04 ASSEMBLY FROM STEP 14A



E05 ASSEMBLY FROM STEP 14A

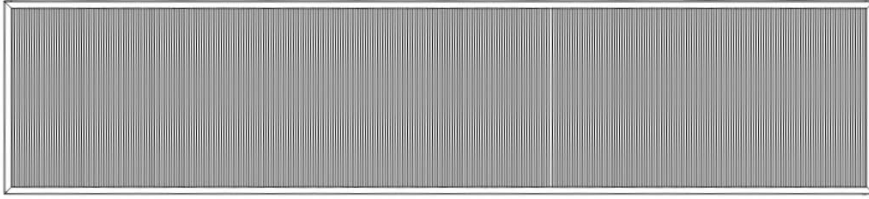
- TO ENSURE PROPER INSTALLATION, PILOT HOLES ON E02 FROM PREVIOUS STEP NEEDS TO BE ORIENTATED AS SHOWN BELOW.

- ALIGN HOLES WITH PILOT HOLES ON POSTS.
- ADDITIONAL PEOPLE ARE HELPFUL FOR THIS STEP.



STEP 14C - FRONT WALL ASSEMBLY

QTY	PART NUMBER	DESCRIPTION
12	H100392	SCREW PWH 8x3/4 BLK



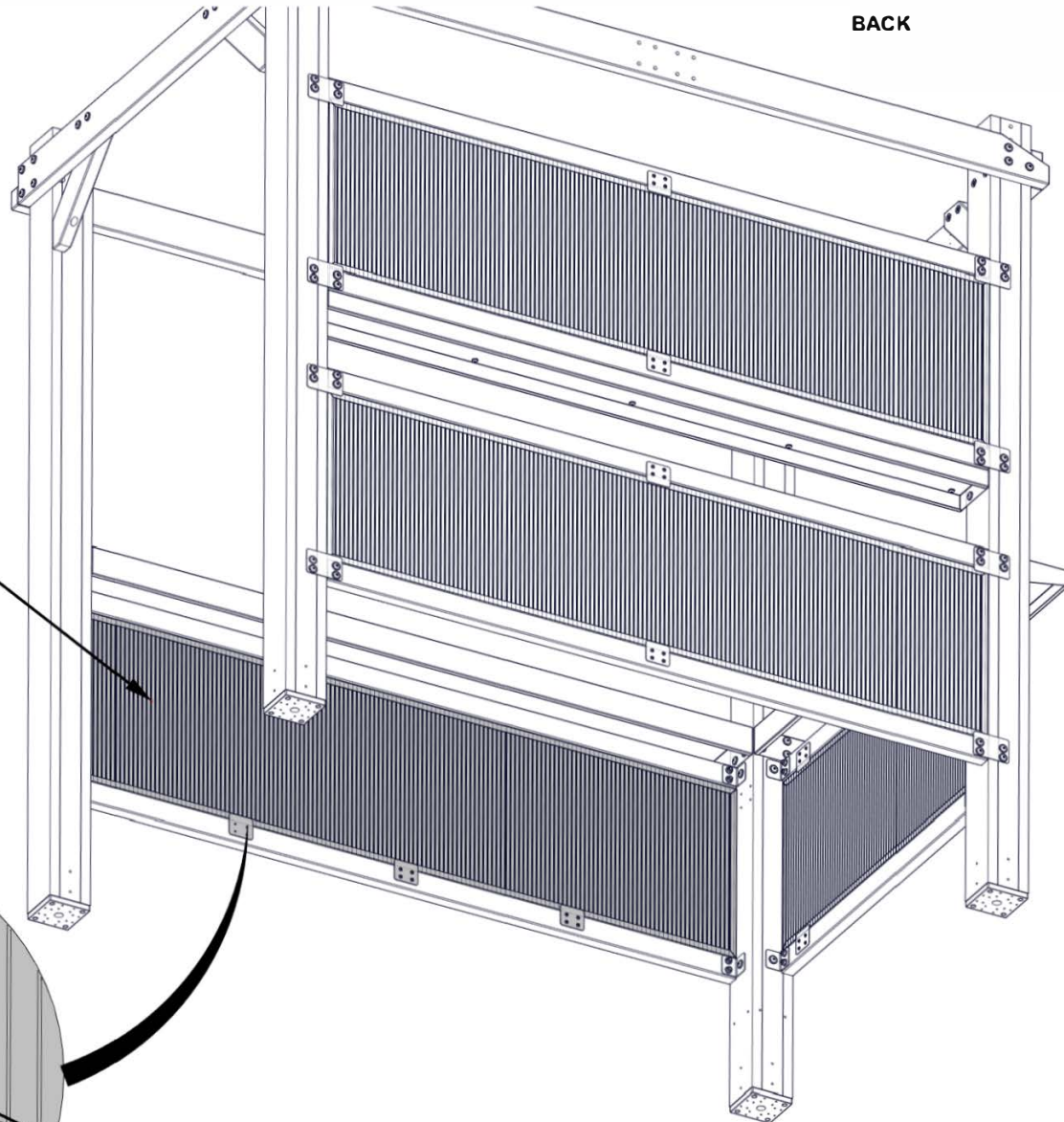
A4M03451 CORRUGATED WALL PANEL - LONG
(x1)



A4M02942 PANEL SUPPORT STRAP
(x3)

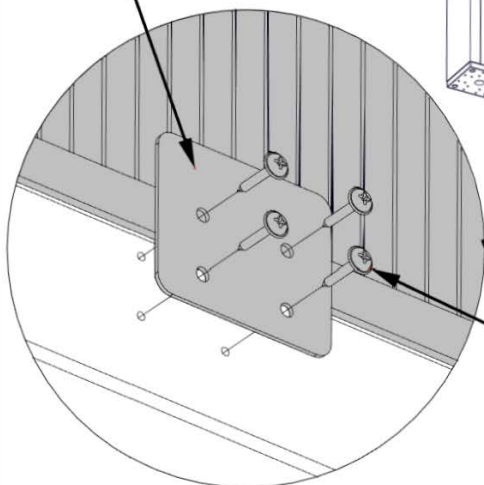
- MAY NEED TO LOOSEN TABLE HARDWARE FROM STEP 11 TO GET THE WALL PANELS TO FIT. AFTER PANELS ARE IN AND FASTENED, TIGHTEN TABLE BACK INTO PLACE.
- TOP OF CORRUGATED WALL PANEL WILL BE SECURED IN NEXT STEP.

- INSERT 3541 CORRUGATED WALL PANEL FIRST.
- ENSURE CORRECT ORIENTATION OF 2942 BRACKET.
- ALIGN PILOT HOLES ON LOWER BOARD WITH HOLES ON 2942 BRACKET AS SHOWN BELOW.
- ADDITIONAL PEOPLE ARE HELPFUL FOR THIS STEP.



3542 (x1)
CORRUGATED WALL
PANEL - LONG

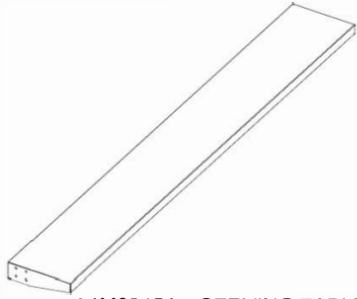
2942 (x3)
PANEL SUPPORT STRAP



392 (x12)
SCREW - 3/4"

STEP 15 - TABLE ASSEMBLY

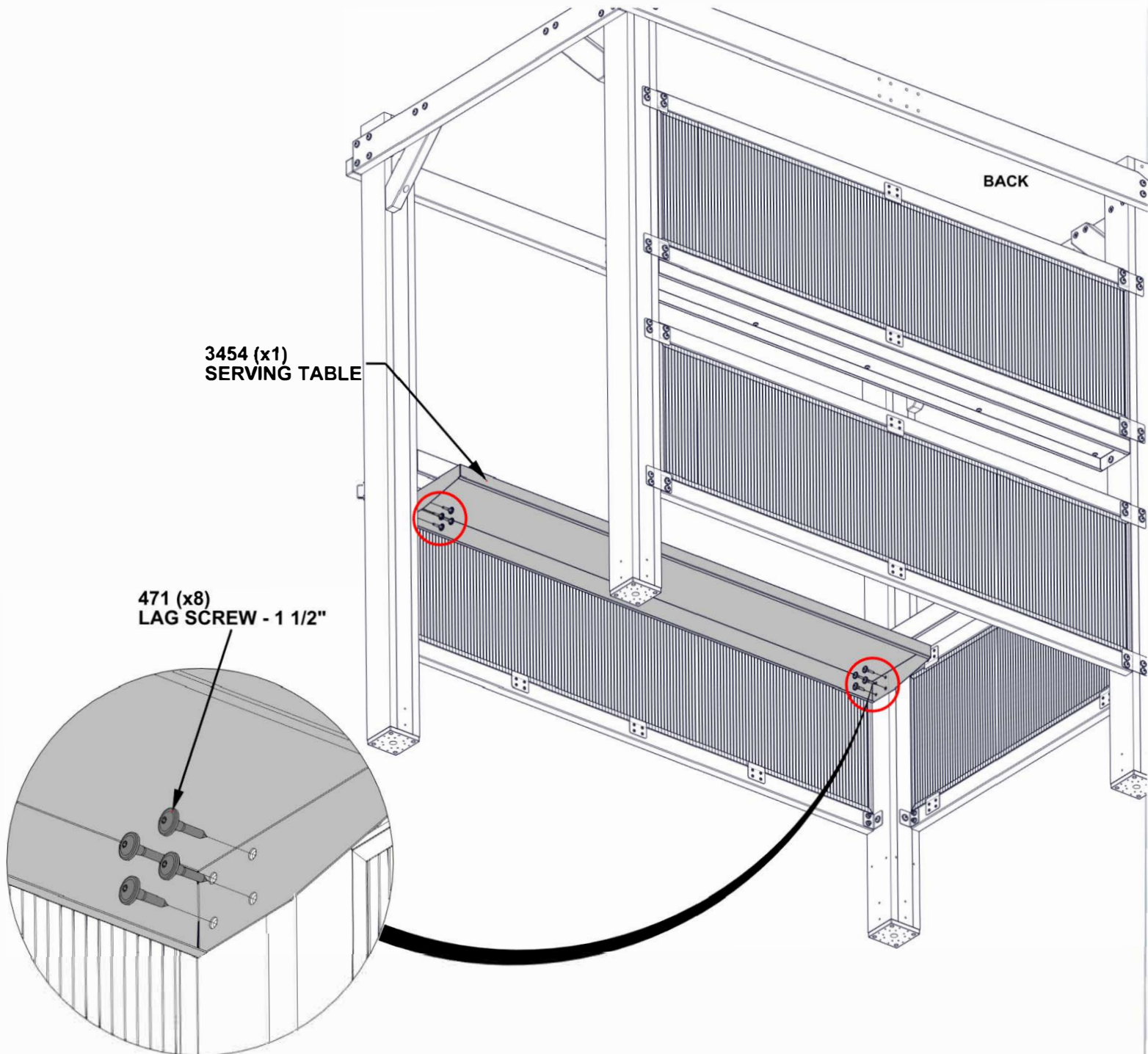
QTY	PART NUMBER	DESCRIPTION
8	H100471	LAG SCREW WH 5/16x1 1/2 BLK



A4M03454 SERVING TABLE
(x1)

- MAY NEED TO LOOSEN TABLE HARDWARE FROM STEP 11 AND WALL PANEL FROM STEP 14 TO GET THE TABLE TO FIT. AFTER PANELS ARE IN AND FASTENED, TIGHTEN TABLE BACK INTO PLACE.

- ALIGN PILOT HOLES.
- ADDITIONAL PEOPLE ARE HELPFUL FOR THIS STEP.



3454 (x1)
SERVING TABLE

471 (x8)
LAG SCREW - 1 1/2"

STEP 16 - LEFT ROOF ASSEMBLY



AJ03 RAFTER - W4L20537
(x1) 1 7/16"x4"x61" (36x102x1550)



AJ05 RAFTER - W4L20540
(x1) 1 7/16"x4"x60" (36x102x1524)



AD03 ROOF SUPPORT - W4L20541
(x1) 15/16"x4"x69 3/16" (24x102x1758)

QTY	PART NUMBER	DESCRIPTION
6	H100362	SCREW PFH 8x3 BLK

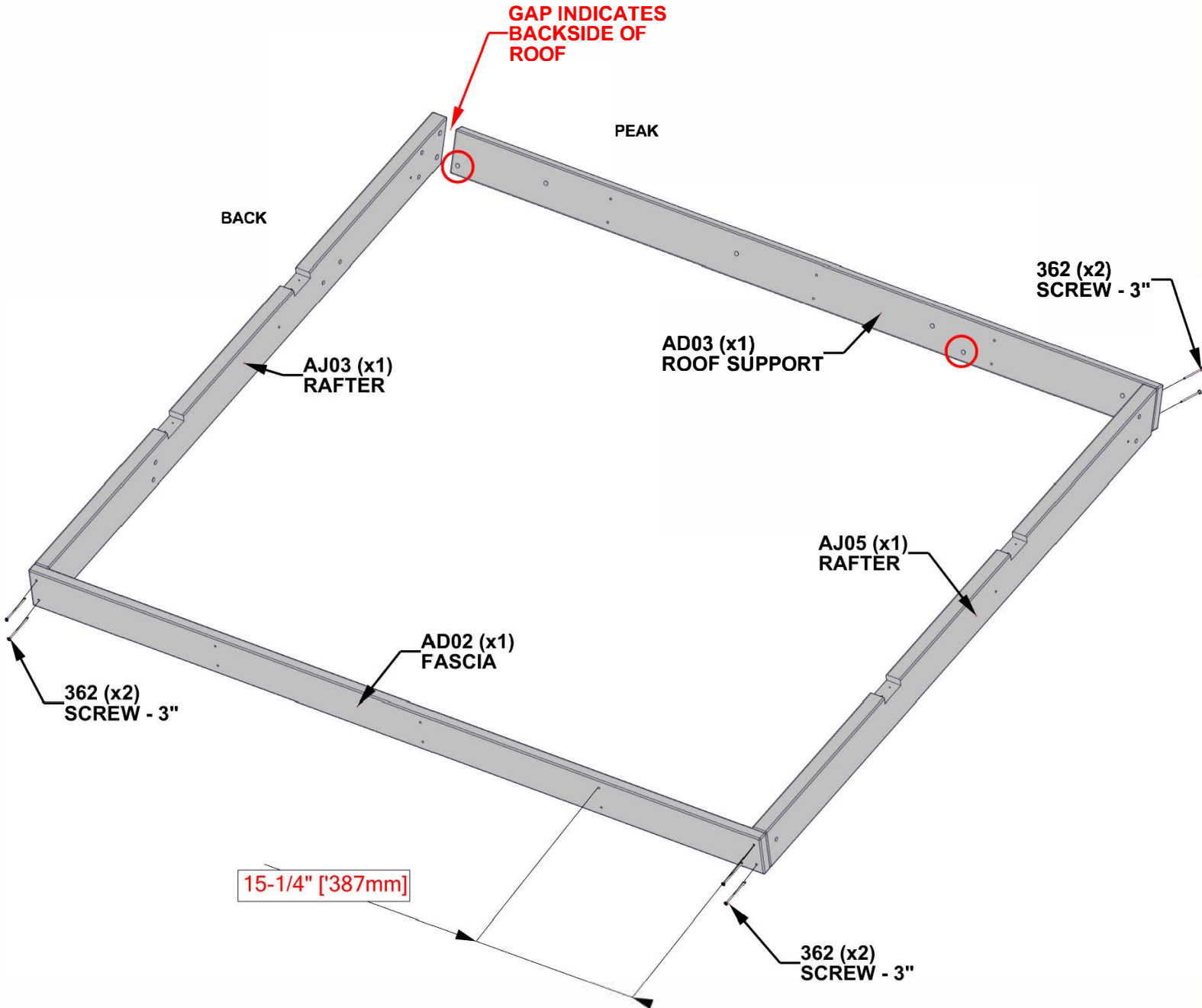
17-5/8" [447mm]

15-1/4" [387mm]



AD02 FASCIA - W4L20002
(x1) 15/16"x4"x72 1/16" (24x102x1830)

WARNING: TO ENSURE PROPER INSTALLATION, PAY ATTENTION TO THE LAYOUT OF THE HOLES SHOWN BELOW



STEP 17 - LEFT ROOF ASSEMBLY

QTY	PART NUMBER	DESCRIPTION
12	H100362	SCREW PFH 8x3 BLK

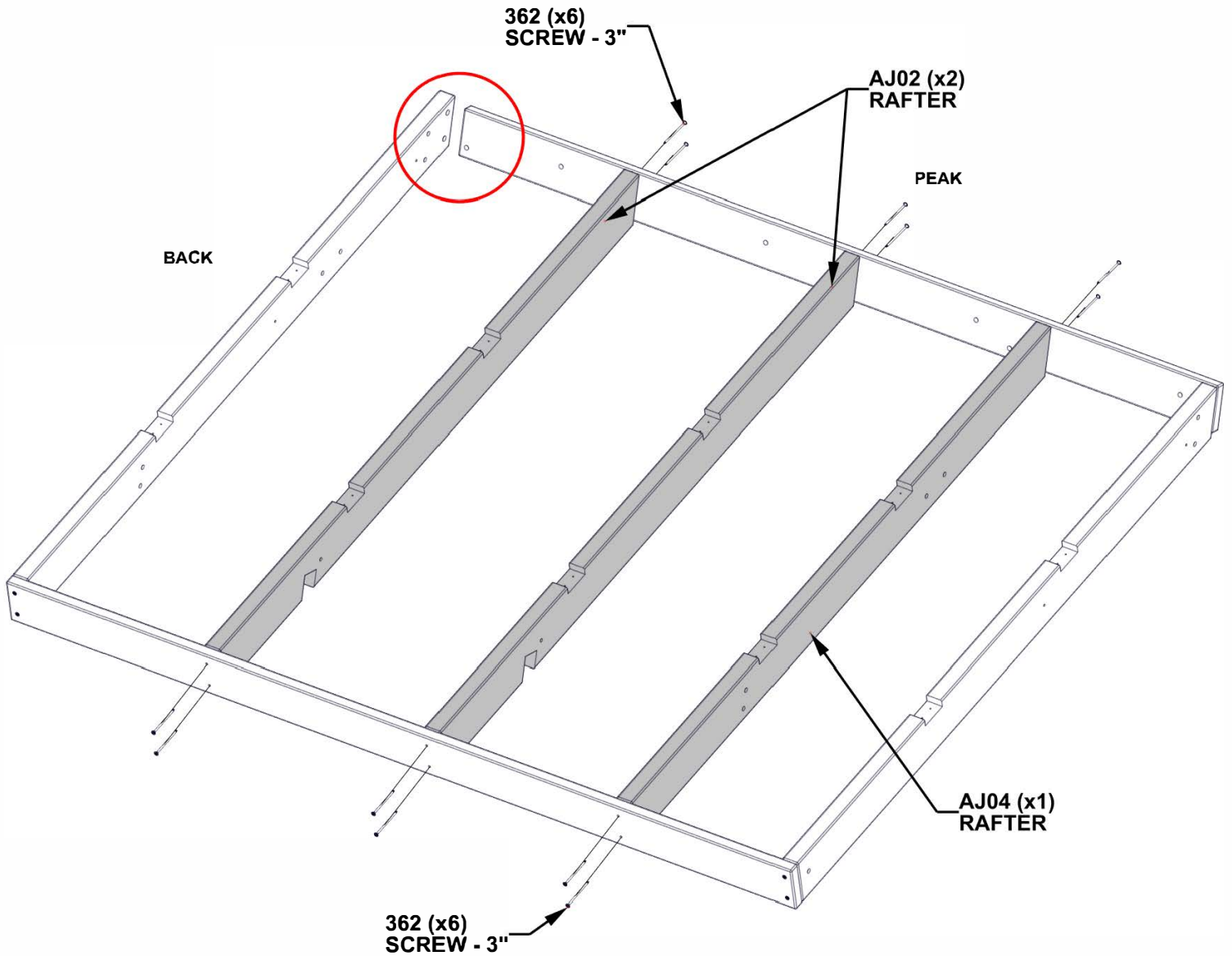


AJ02 RAFTER - W4L20538
(x2) 1 7/16"x4"x60" (36x102x1524)



AJ04 RAFTER - W4L20539
(x1) 1 7/16"x4"x60" (36x102x1524)

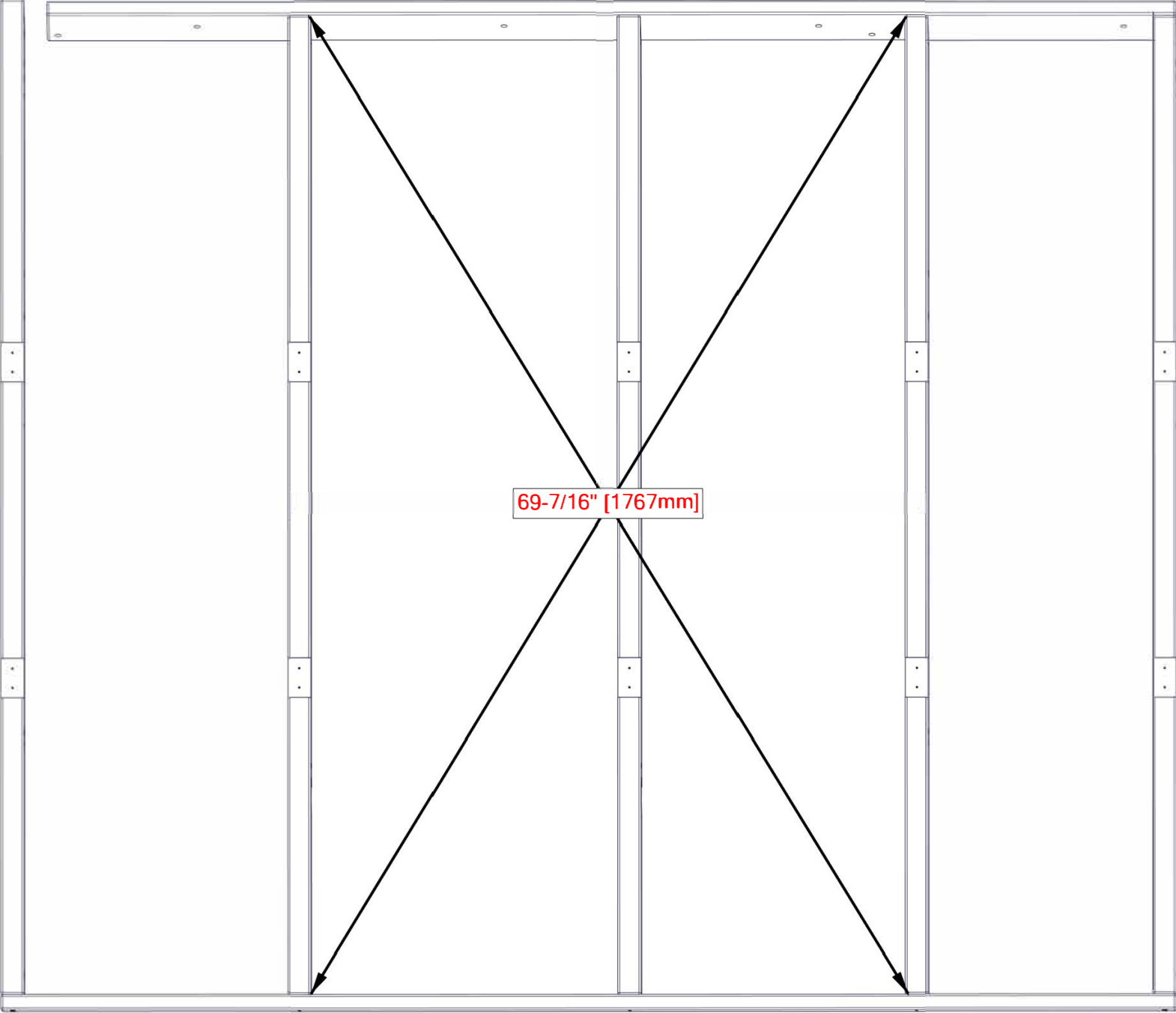
- GAP GOES TOWARD BACK.



STEP 18 - LEFT ROOF ASSEMBLY

CRITICAL:

- SQUARE UNIT BEFORE PROCEEDING TO NEXT STEPS.
- THE BELOW DIMENSIONS ARE CRITICAL TO THE FINAL ASSEMBLY.
- MEASUREMENTS SHOULD BE WITHIN +/- 1/4" (6mm).
- MEASUREMENTS OUTSIDE OF TOLERANCE WILL LEAD TO ISSUES ON FUTURE ASSEMBLY STEPS.

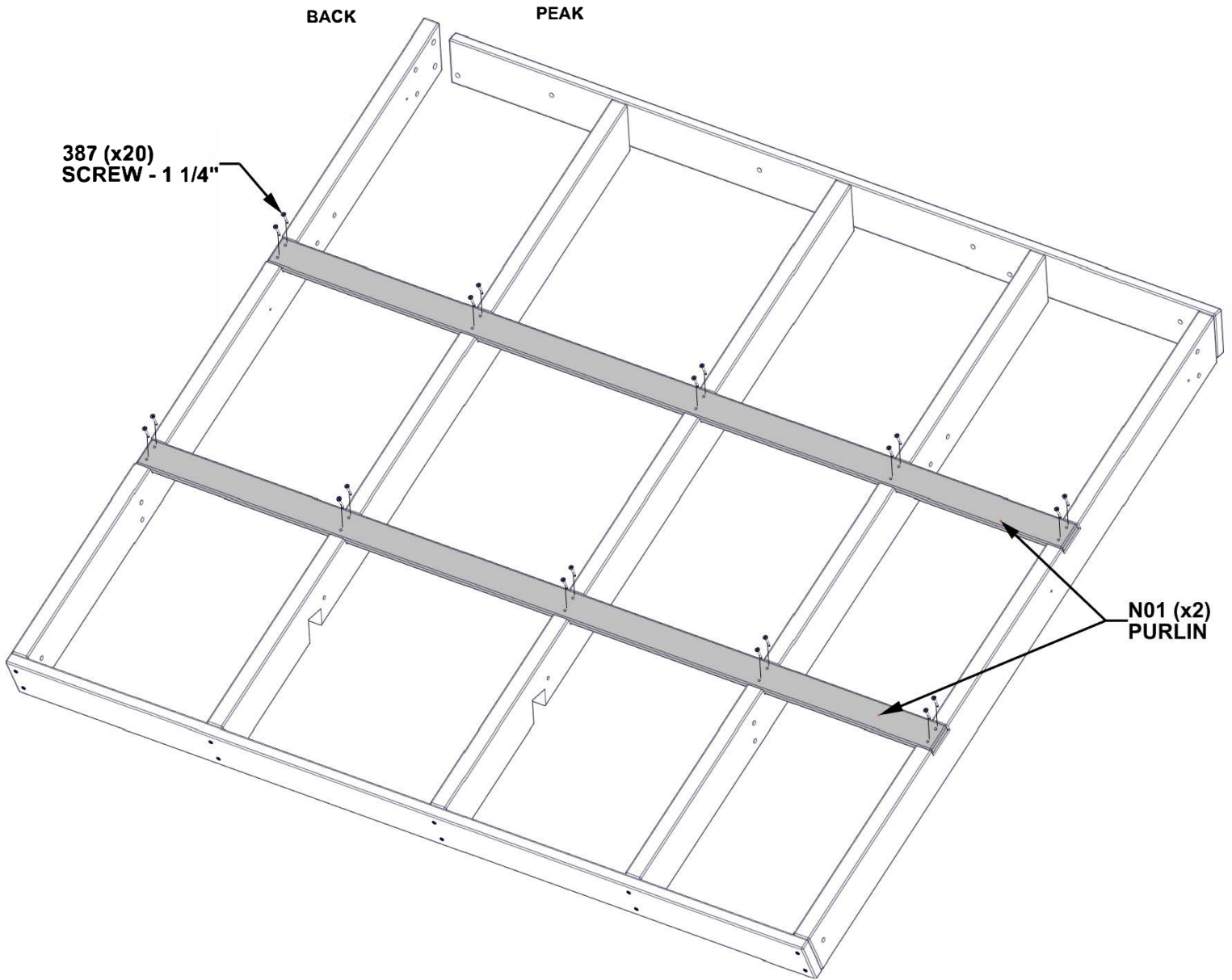


STEP 19 - LEFT ROOF ASSEMBLY

QTY	PART NUMBER	DESCRIPTION
20	H100387	SCREW PFH 8x1 1/4 BLK



N01 PURLIN - W4L20307
(x2) 5/8"x2 3/8"x71 7/8" (16x60x1826)

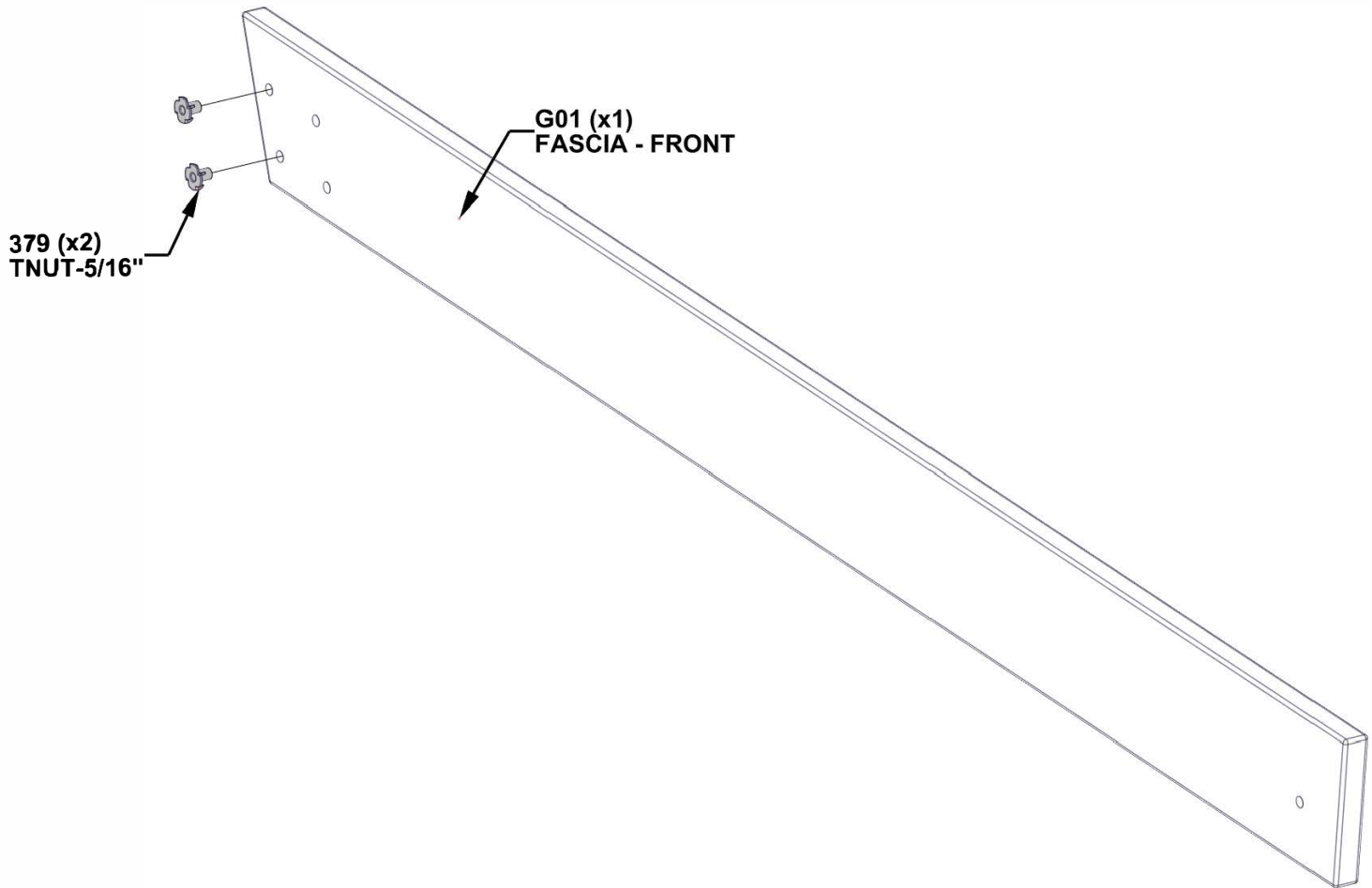


STEP 20 - LEFT ROOF ASSEMBLY

QTY	PART NUMBER	DESCRIPTION
2	H100379	TNUT-5/16" BLK



G01 FASCIA - FRONT - W4L20545
(x1) 15/16"x5 1/4"x62 1/2" (24x134x1588)



STEP 21 - LEFT ROOF ASSEMBLY

QTY	PART NUMBER	DESCRIPTION
2	H100198	WASHER LOCK EXT 8x19
2	H100205	BOLT WH 5/16x2 1/4 BLK
2	H100379	TNUT-5/16" BLK
4	H100391	SCREW PFH 8x2 BLK

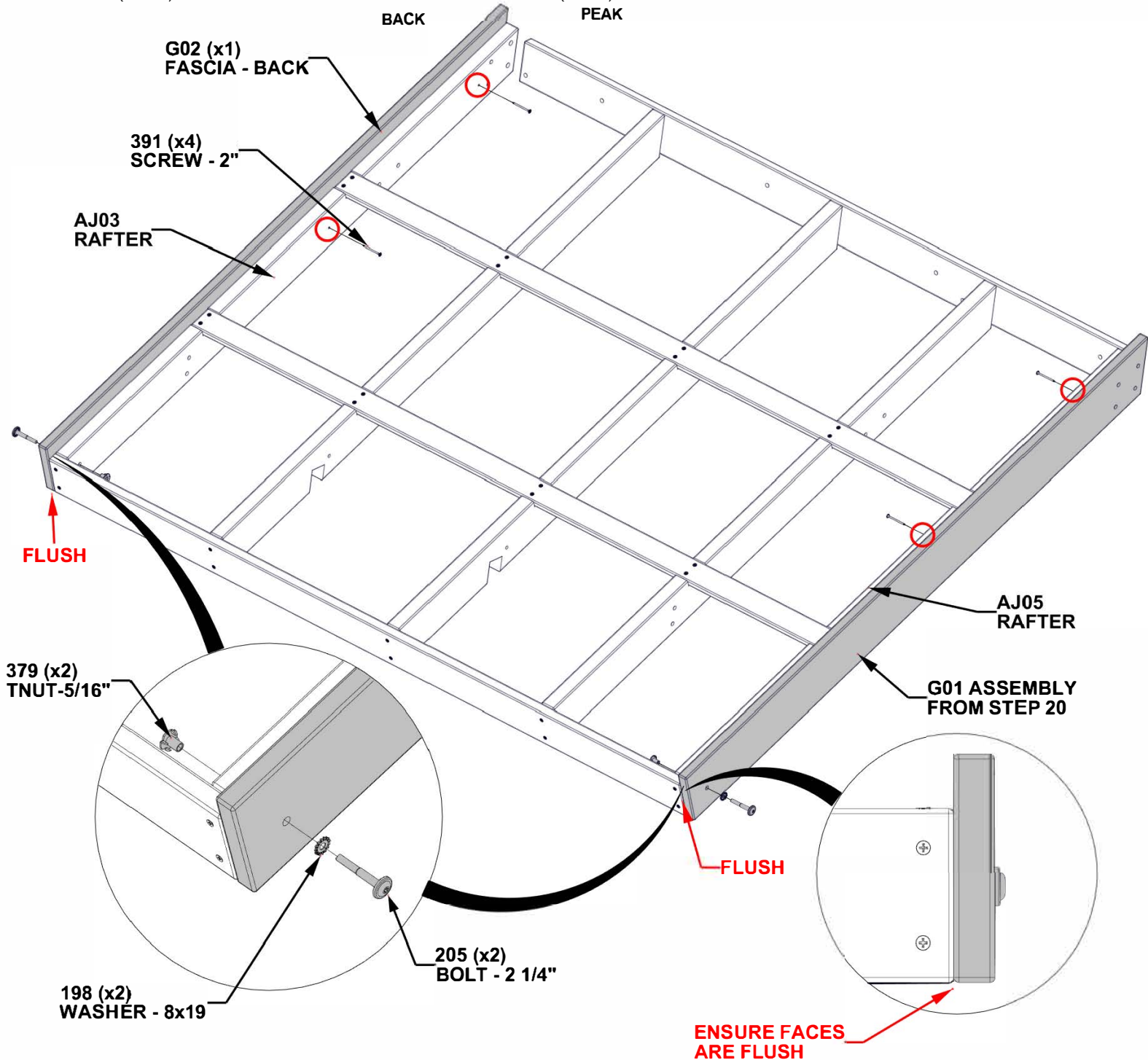


G02 FASCIA - BACK - W4L20543
(x1) 15/16"x5 5/16"x62 1/2" (24x134x1588)



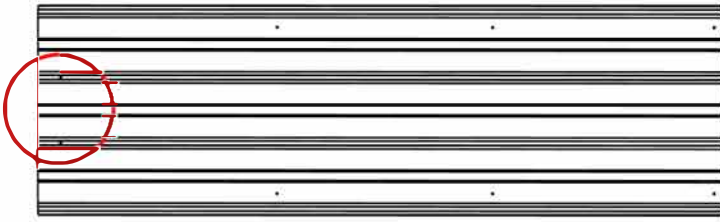
G01 ASSEMBLY FROM STEP 20

- INSERT T-NUTS FIRST.
- ALIGN AJ03 WITH G02 ENSURING BOTTOM SURFACES ARE FLUSH AS SHOWN.
- USE A 1/8" (3mm) DRILL BIT AND DRILL A PILOT HOLE 1/8" (3mm) DEEP USING AJ03 AS A GUIDE CIRCLED IN RED.
- ALIGN AJ05 WITH G01 ENSURING BOTTOM SURFACES ARE FLUSH AS SHOWN.
- USE A 1/8" (3mm) DRILL BIT AND DRILL A PILOT HOLE 1/8" (3mm) DEEP USING AJ03 AS A GUIDE CIRCLED IN RED.



STEP 22 - LEFT ROOF ASSEMBLY

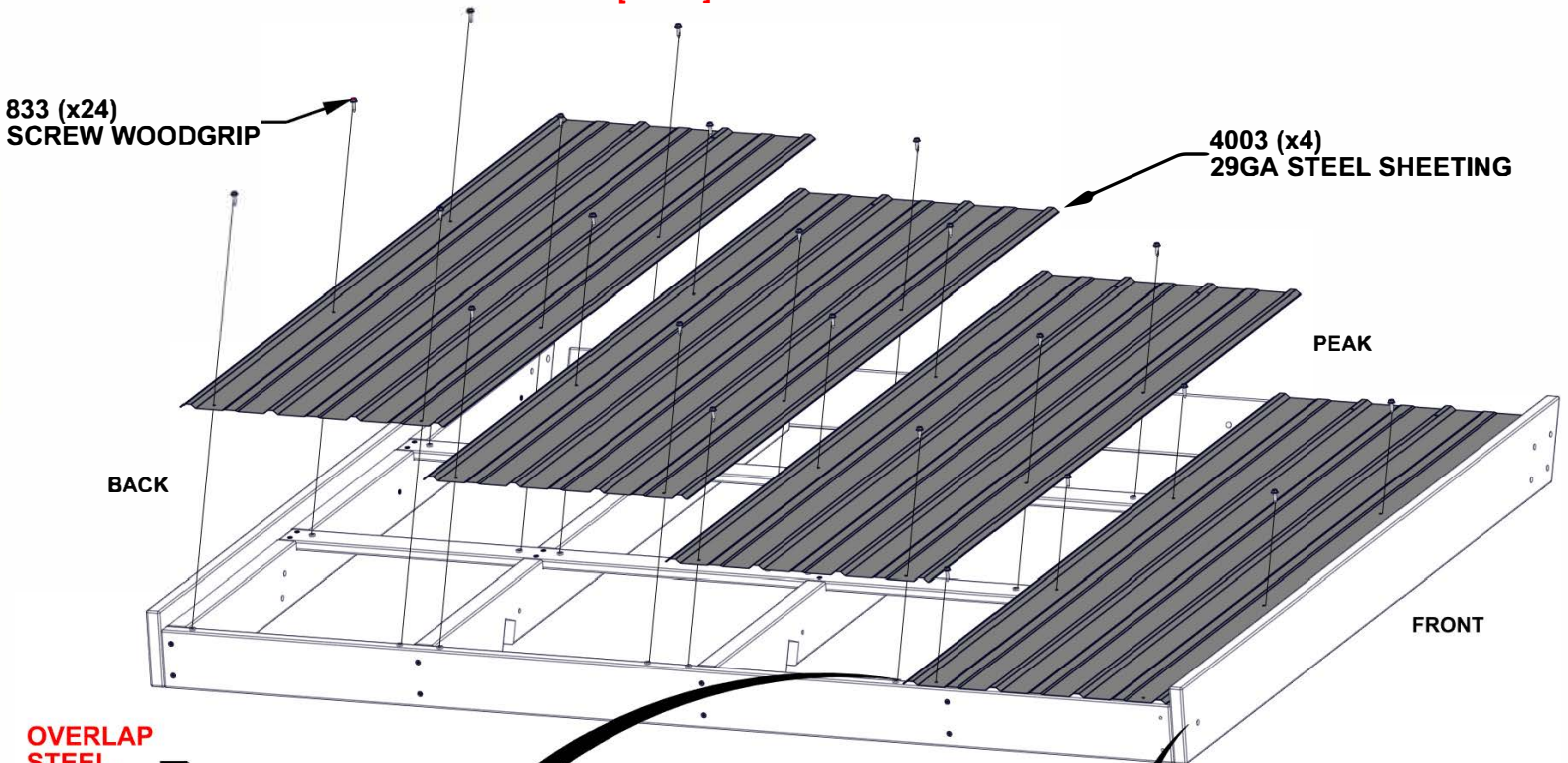
QTY	PART NUMBER	DESCRIPTION
24	H100833	SCREW WOODGRIP 10-16x3/4"



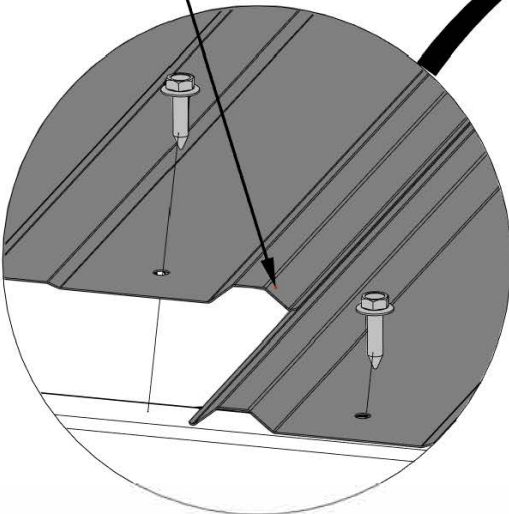
A4M04003 29GA STEEL SHEETING
(x4)

- WARNING : GLOVES ARE RECOMMENDED WHEN HANDLING STEEL.
- REMOVE PROTECTIVE BLUE FILM.
- OVERLAP PANELS AS SHOWN.

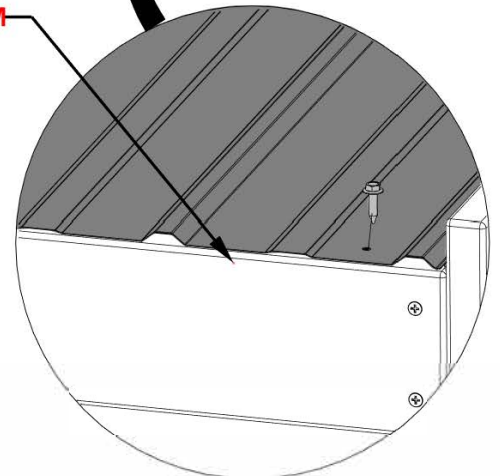
1. THE END WITH 2 HOLES CLOSER TOGETHER, AS SHOWN ABOVE, INDICATES THE TOP OF THE PANEL.
2. WITH THE PEAK OF ROOF ON OPPOSITE END AS PICTURED, PLACE TIN SHEETS DOWN.
3. STARTING AT THE FRONT SIDE AND WORKING TOWARD THE BACK SIDE OVER LAPPING BY ONE RIB.
4. ENSURE SHEETING HAS OVERHANG OF 3/8" [10mm] AS SHOWN BELOW. SCREW IN PLACE.



**OVERLAP
STEEL
SHEETING**

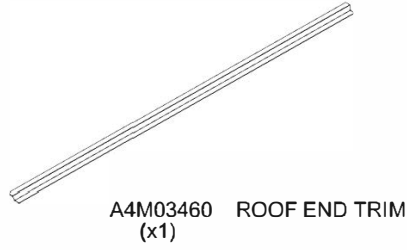


**OVERHANG SHOULD
BE 3/8" [10mm] FROM
EDGE AS SHOWN.**

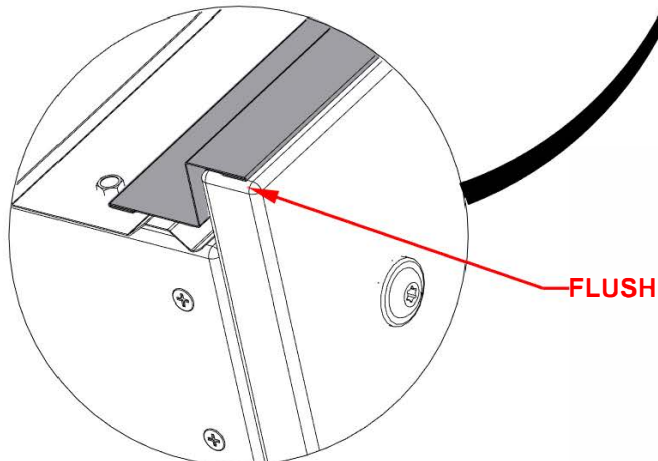
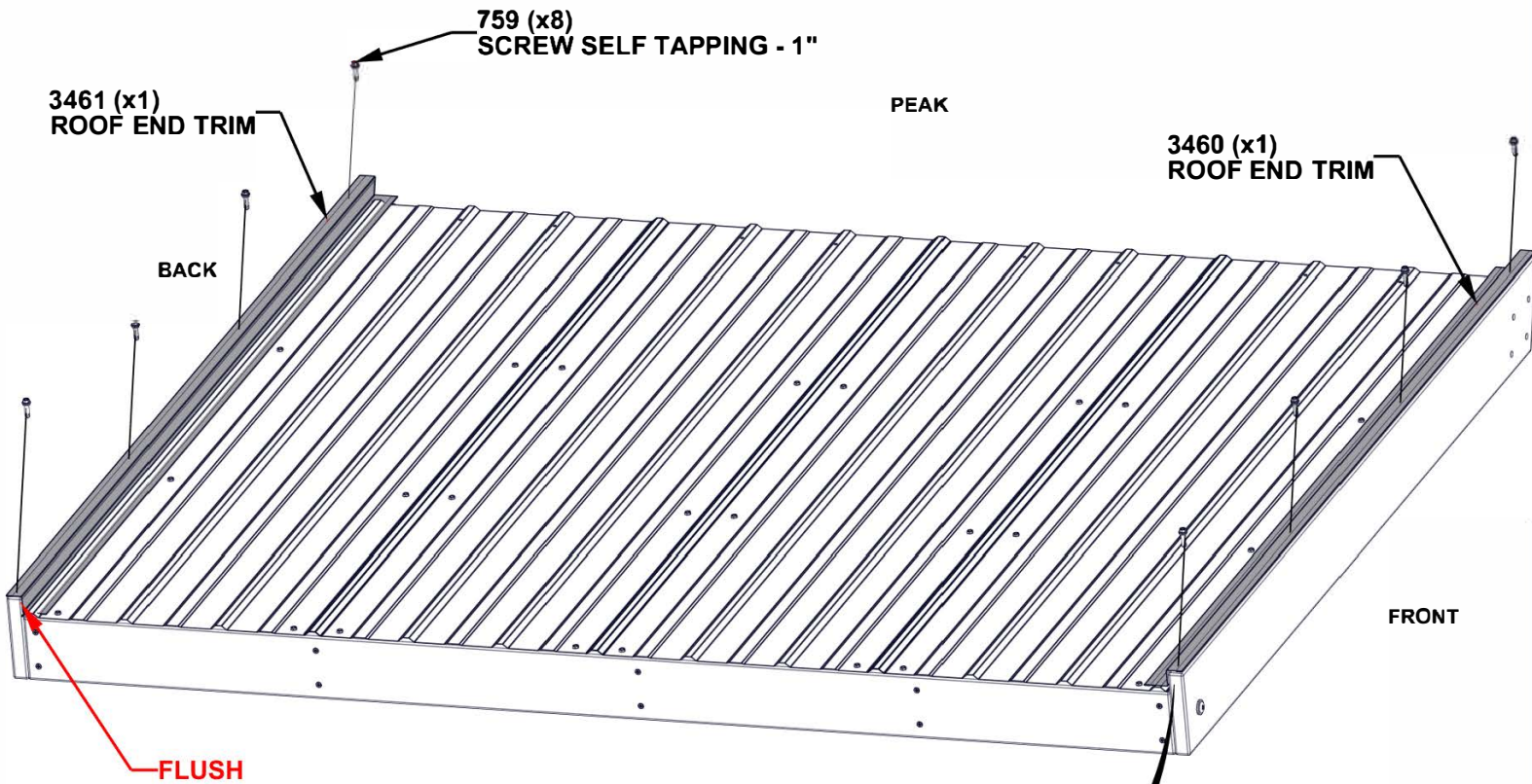


STEP 23 - LEFT ROOF ASSEMBLY

QTY	PART NUMBER	DESCRIPTION
8	H100759	SCREW WOODGRIP 10-16x3/4"



- WARNING: GLOVES ARE RECOMMENDED WHEN HANDLING STEEL.
- REMOVE PROTECTIVE BLUE FILM.
- PLACE SCREWS INLINE WITH ROOF SHEET SCREWS.
- ENSURE THAT 3461 AND 3460 ARE FLUSH WITH ENDS.

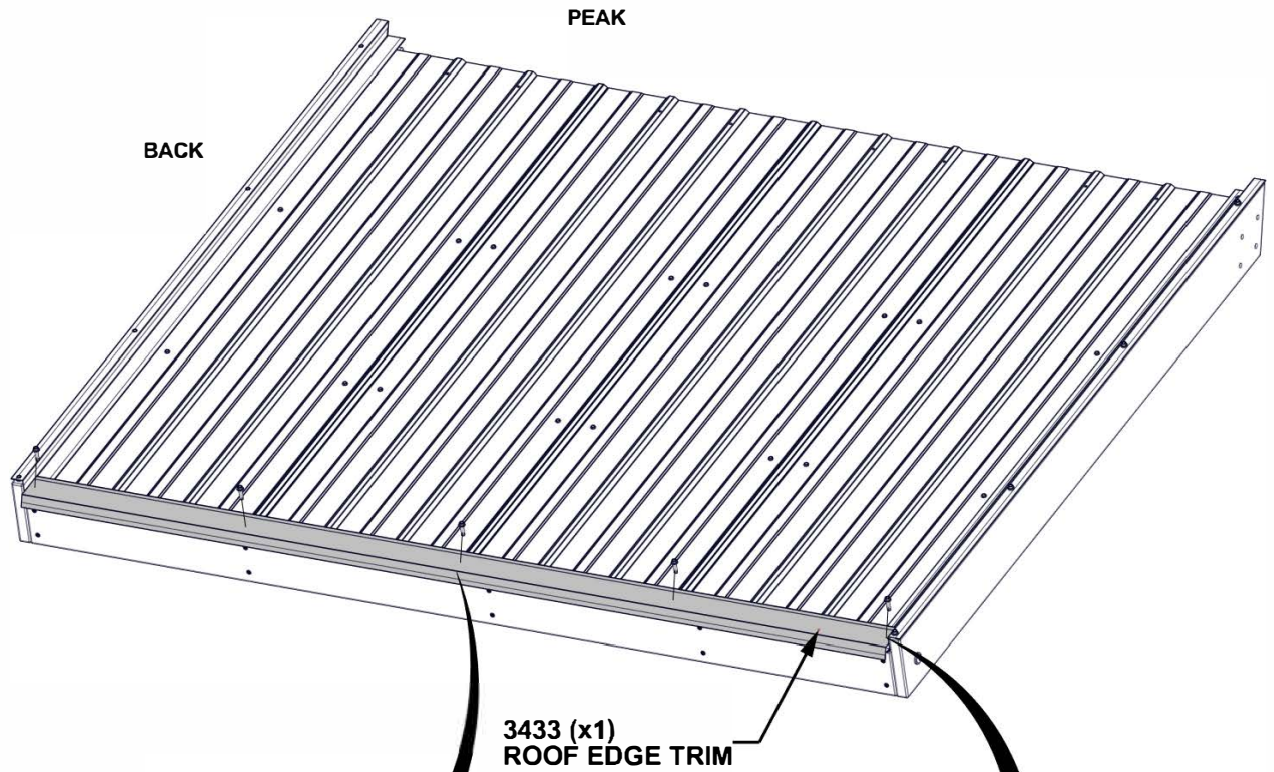


STEP 24 - LEFT ROOF ASSEMBLY

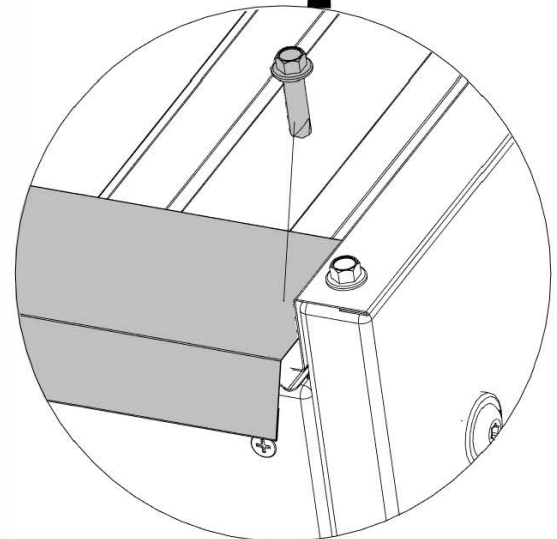
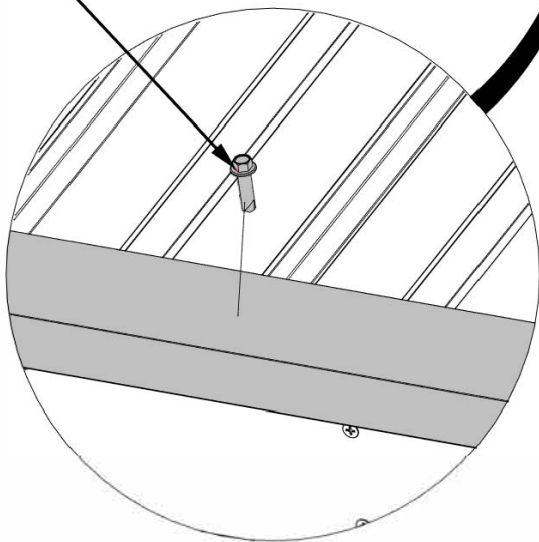
QTY	PART NUMBER	DESCRIPTION
5	H100759	SCREW WOODGRIP 10-16x3/4"



- WARNING: GLOVES ARE RECOMMENDED WHEN HANDLING STEEL.
- REMOVE PROTECTIVE BLUE FILM.
- PLACE SCREWS INLINE WITH ROOF SHEET RIBS AS SHOWN.



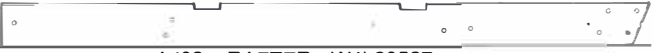
759 (x5)
SCREW SELF TAPPING - 1"



STEP 25 - RIGHT ROOF ASSEMBLY



AD03 ROOF SUPPORT - W4L20541
(x1) 15/16"x4"x69 3/16" (24x102x1758)



AJ03 RAFTER - W4L20537
(x1) 1 7/16"x4"x61" (36x102x1550)



AJ05 RAFTER - W4L20540
(x1) 1 7/16"x4"x60" (36x102x1524)

QTY	PART NUMBER	DESCRIPTION
6	H100362	SCREW PFH 8x3 BLK

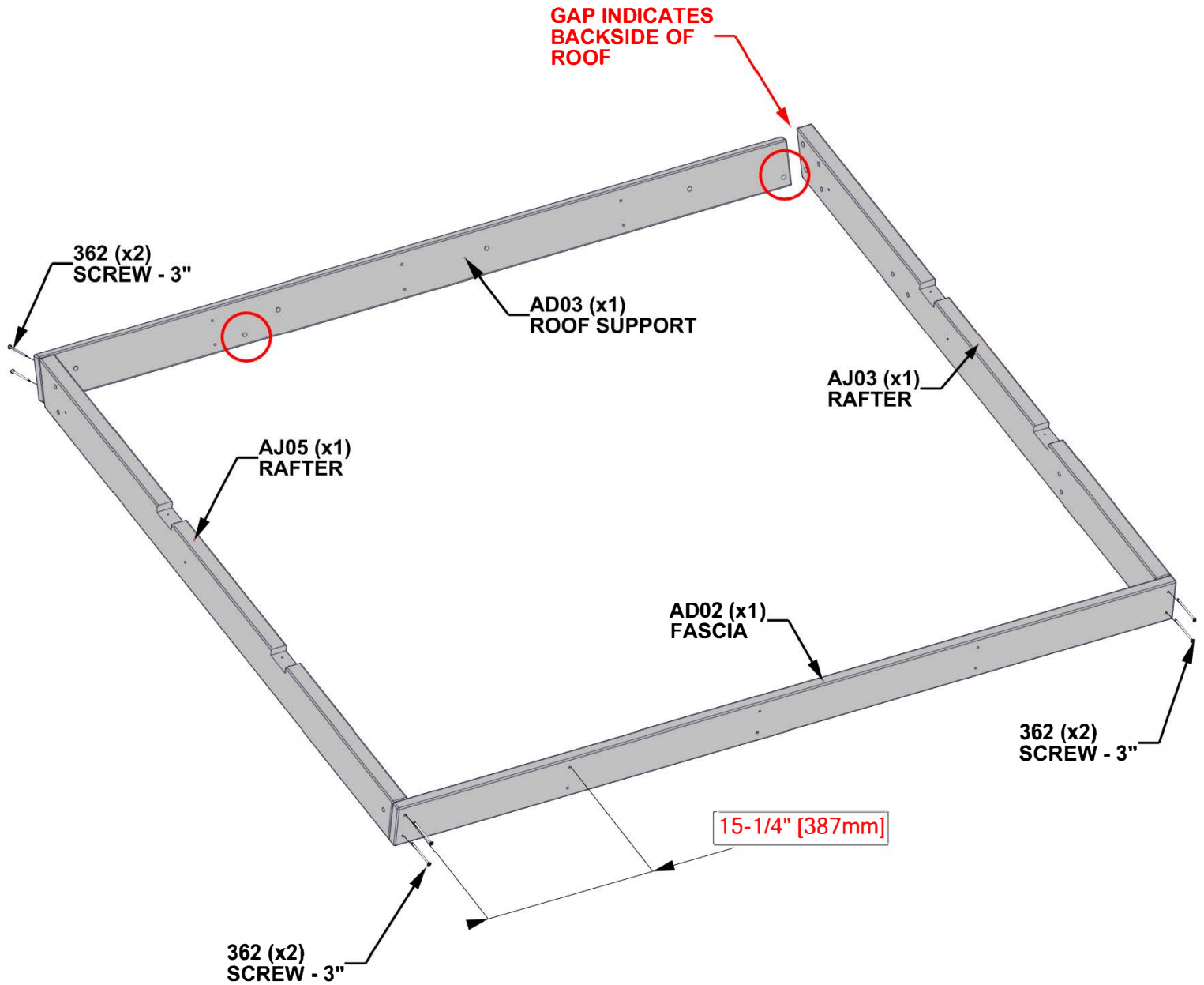
17-5/8" [447mm]

15-1/4" [387mm]



AD02 FASCIA - W4L20002
(x1) 15/16"x4"x72 1/16" (24x102x1830)

WARNING: TO ENSURE PROPER INSTALLATION, PAY ATTENTION TO THE LAYOUT OF THE HOLES SHOWN BELOW



STEP 26 - RIGHT ROOF ASSEMBLY

QTY	PART NUMBER	DESCRIPTION
12	H100362	SCREW PFH 8x3 BLK

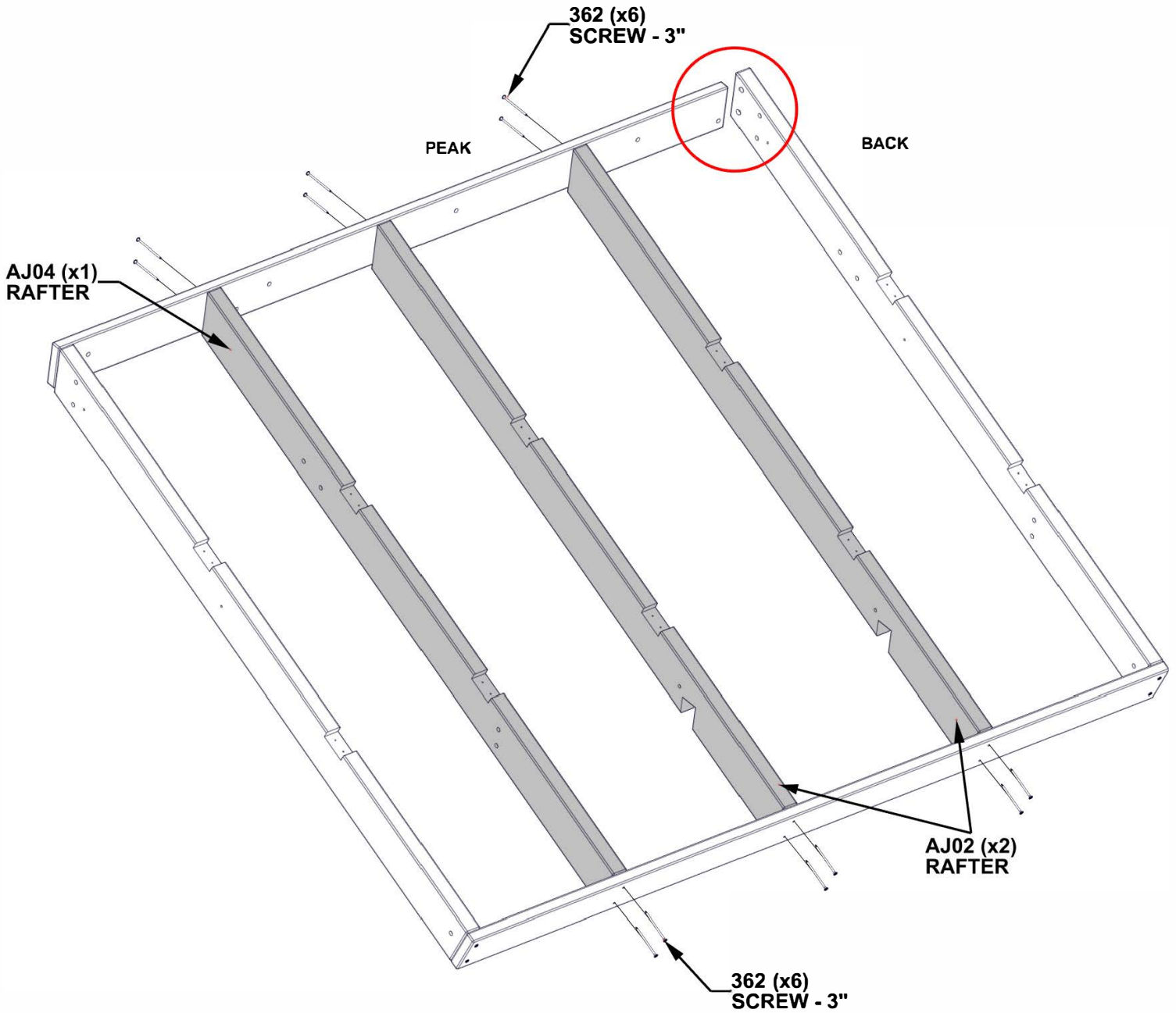


AJ02 RAFTER - W4L20538
(x2) 1 7/16"x4"x60" (36x102x1524)



AJ04 RAFTER - W4L20539
(x1) 1 7/16"x4"x60" (36x102x1524)

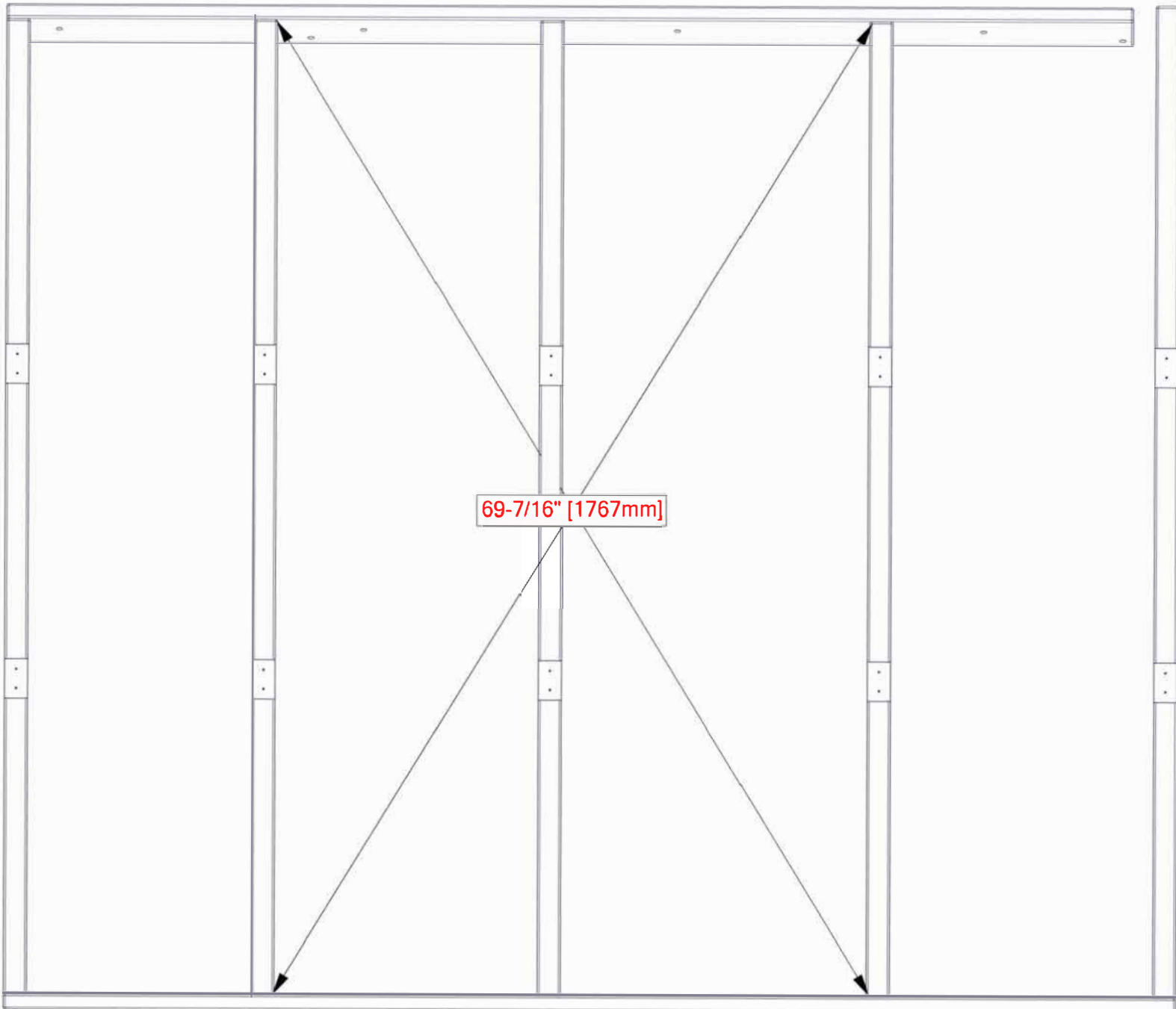
- GAP GOES TOWARD BACK.



STEP 27 - RIGHT ROOF ASSEMBLY

CRITICAL:

- SQUARE UNIT BEFORE PROCEEDING TO NEXT STEPS.
- THE BELOW DIMENSIONS ARE CRITICAL TO THE FINAL ASSEMBLY.
- MEASUREMENTS SHOULD BE WITHIN +/- 1/4" (6mm).
- MEASUREMENTS OUTSIDE OF TOLERANCE WILL LEAD TO ISSUES ON FUTURE ASSEMBLY STEPS.

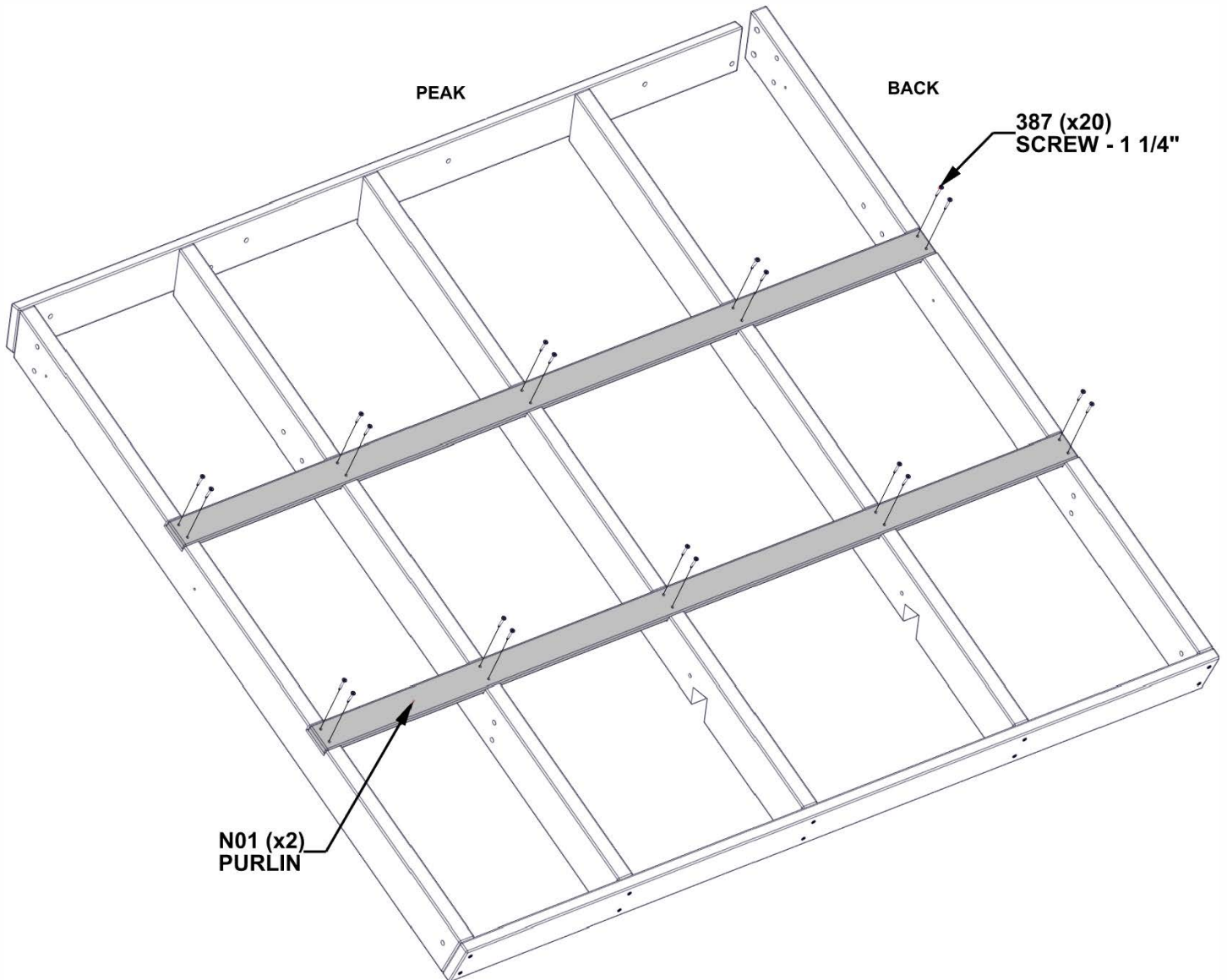


STEP 28 - RIGHT ROOF ASSEMBLY

QTY	PART NUMBER	DESCRIPTION
20	H100387	SCREW PFH 8x1 1/4 BLK



N01 PURLIN - W4L20307
(x2) 5/8"x2 3/8"x71 7/8" (16x60x1826)

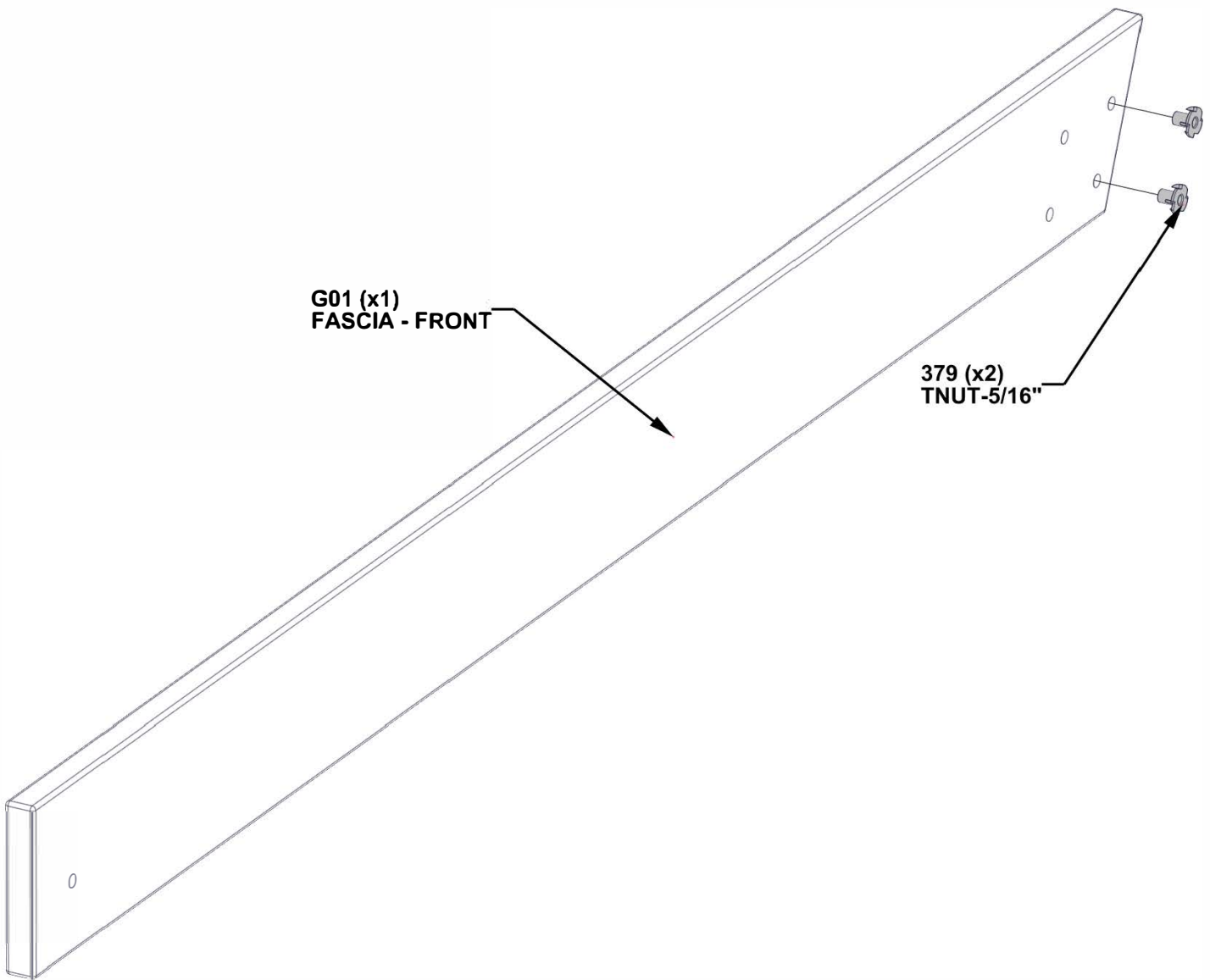


STEP 29 - LEFT ROOF ASSEMBLY

QTY	PART NUMBER	DESCRIPTION
2	H100379	TNUT-5/16" BLK



G01 FASCIA - FRONT - W4L20545
(x1) 15/16"x5 1/4"x62 1/2" (24x134x1588)



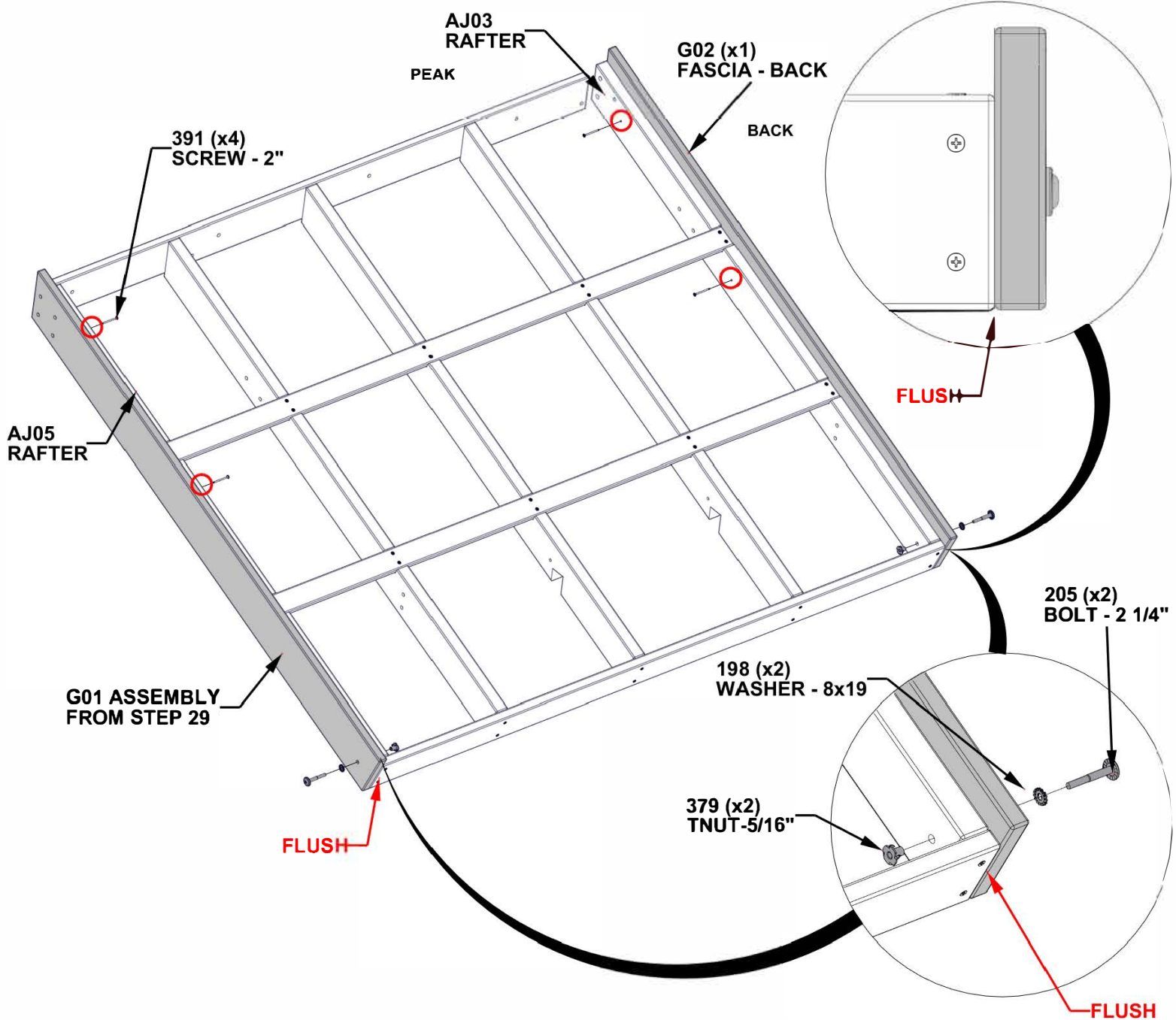
STEP 30 - RIGHT ROOF ASSEMBLY

QTY	PART NUMBER	DESCRIPTION
2	H100198	WASHER LOCK EXT 8x19
2	H100205	BOLT WH 5/16x2 1/4 BLK
2	H100379	TNUT-5/16" BLK
4	H100391	SCREW PFH 8x2 BLK

G02 FASCIA - BACK - W4L20543
(x1) 15/16"x5 5/16"x62 1/2" (24x134x1588)

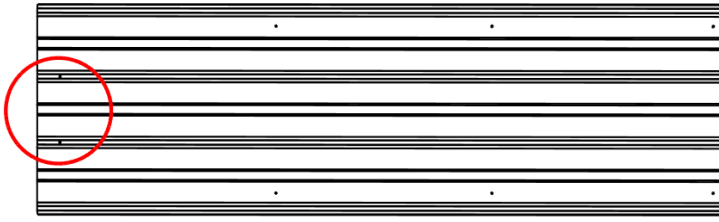
G01 ASSEMBLY FROM STEP 29

- INSERT T-NUTS FIRST.
- ALIGN AJ03 WITH G02 ENSURING BOTTOM SURFACES ARE FLUSH AS SHOWN.
- USE A 1/8" (3mm) DRILL BIT AND DRILL A PILOT HOLE 1/8" (3mm) DEEP USING AJ03 AS A GUIDE CIRCLED IN RED.
- ALIGN AJ05 WITH G01 ENSURING BOTTOM SURFACES ARE FLUSH AS SHOWN.
- USE A 1/8" (3mm) DRILL BIT AND DRILL A PILOT HOLE 1/8" (3mm) DEEP USING AJ05 AS A GUIDE CIRCLED IN RED.



STEP 31 - RIGHT ROOF ASSEMBLY

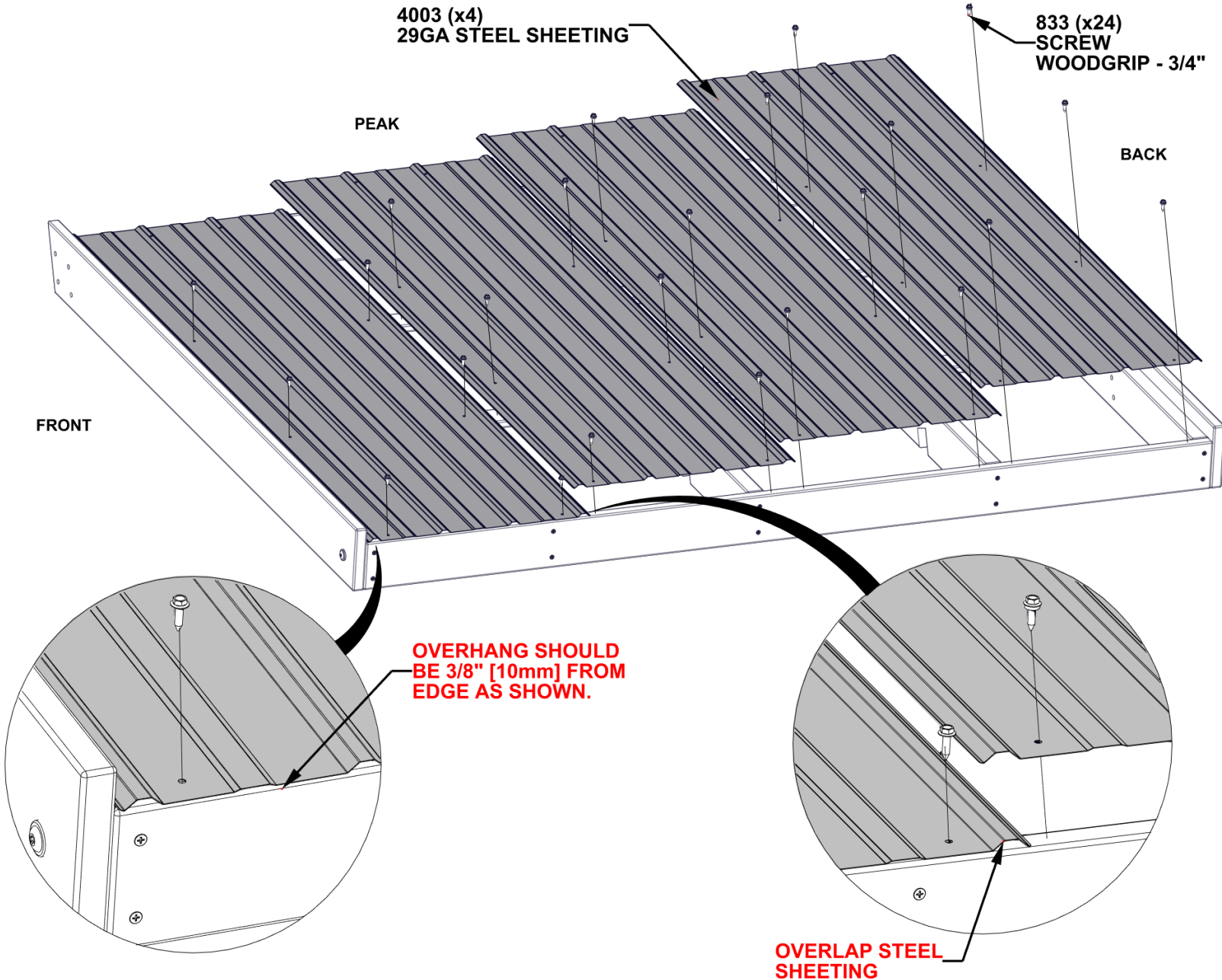
QTY	PART NUMBER	DESCRIPTION
24	H100833	SCREW WOODGRIP 10-16x3/4"



A4M04003 29GA STEEL SHEETING
(x4)

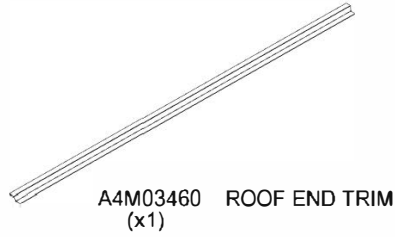
- WARNING: GLOVES ARE RECOMMENDED WHEN HANDLING STEEL.
- REMOVE PROTECTIVE BLUE FILM.
- OVERLAP PANELS AS SHOWN.

1. THE END WITH 2 HOLES CLOSER TOGETHER GOES TOWARD TOP.
2. WITH THE PEAK OF ROOF ON OPPOSITE END AS PICTURED, PLACE TIN SHEETS DOWN.
3. STARTING AT THE FRONT SIDE AND WORKING TOWARD THE BACK SIDE OVER LAPPING BY ONE RIB.
4. ENSURE SHEETING HAS OVERHANG OF 3/8" [10mm] AS SHOWN BELOW. SCREW IN PLACE.

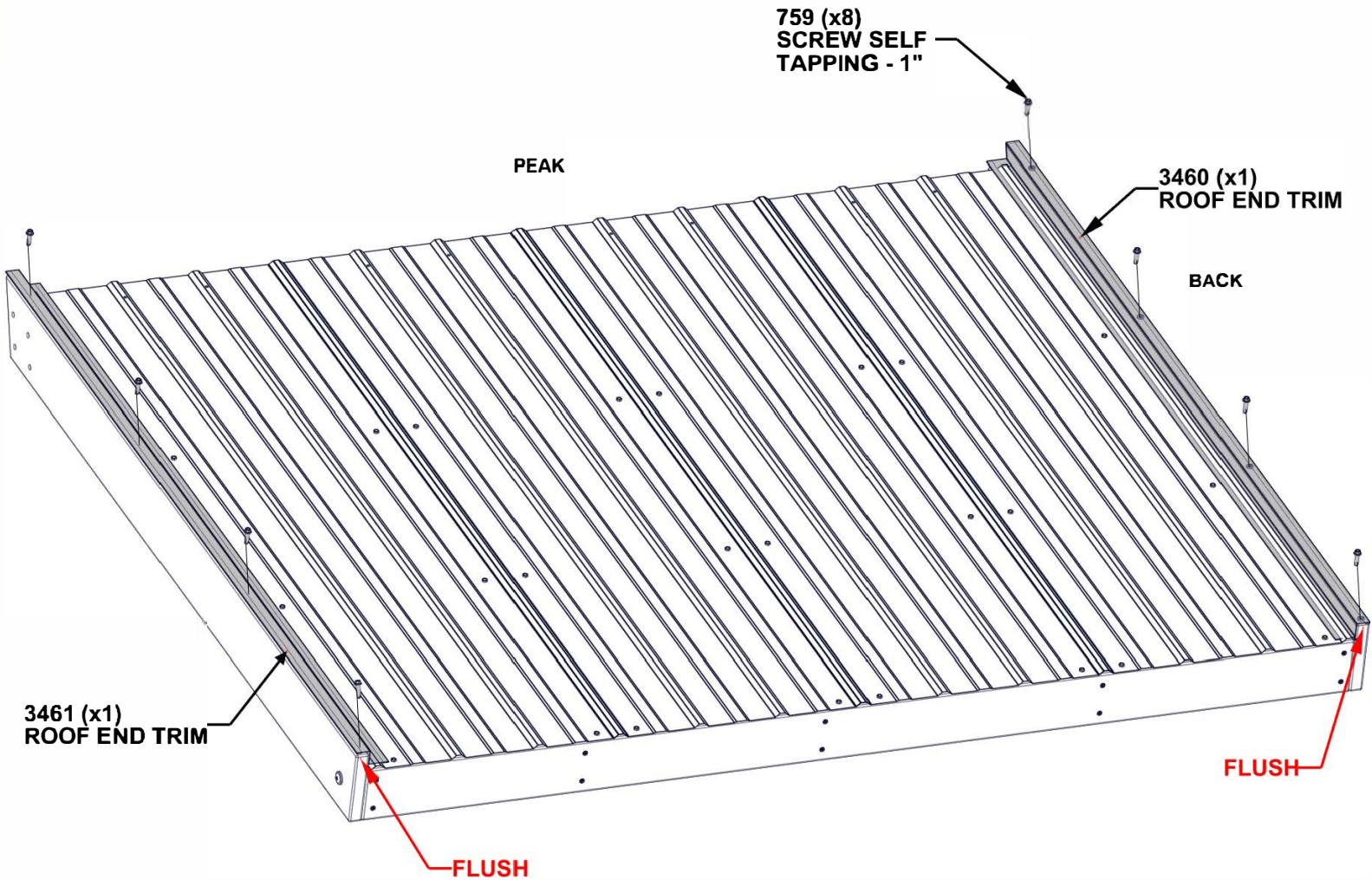


STEP 32 - RIGHT ROOF ASSEMBLY

QTY	PART NUMBER	DESCRIPTION
8	H100759	SCREW SELF TAPPING 1/4x1

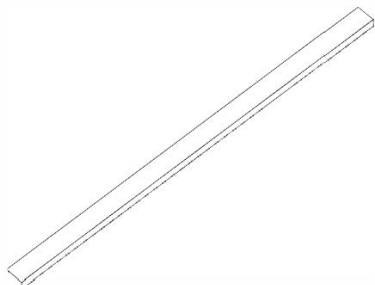


- WARNING: GLOVES ARE RECOMMENDED WHEN HANDLING STEEL.
- REMOVE PROTECTIVE BLUE FILM.
- PLACE SCREWS INLINE WITH ROOF SHEET SCREWS.
- ENSURE THAT 3461 AND 3460 ARE FLUSH WITH ENDS AS SHOWN.



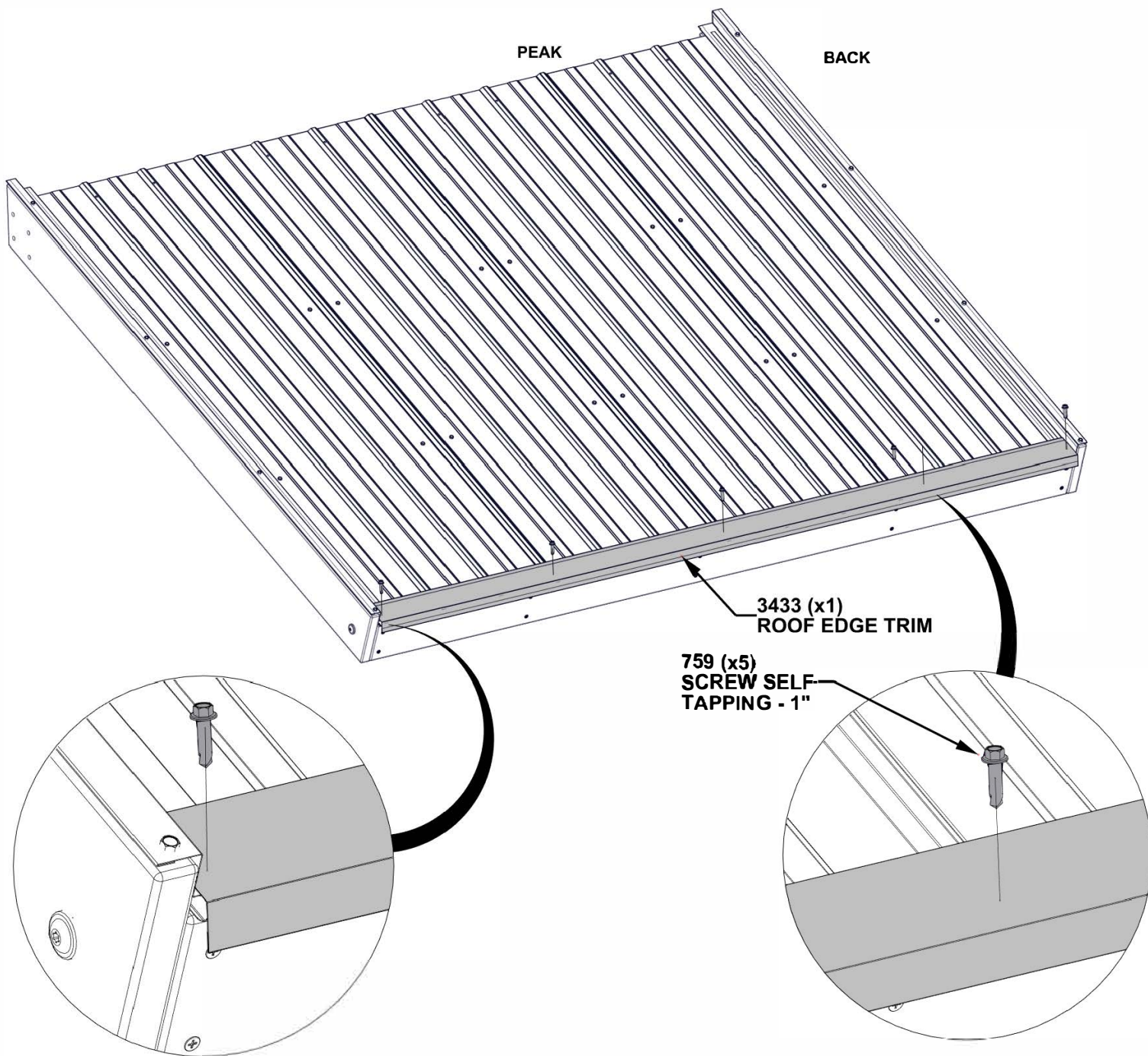
STEP 33 - RIGHT ROOF ASSEMBLY

QTY	PART NUMBER	DESCRIPTION
5	H100759	SCREW SELF TAPPING 1/4x3/4



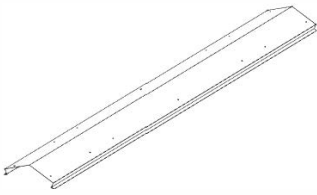
A4M03433 ROOF EDGE TRIM
(x1)

- WARNING: GLOVES ARE RECOMMENDED WHEN HANDLING STEEL.
- REMOVE PROTECTIVE BLUE FILM.
- PLACE SCREWS INLINE WITH ROOF SHEET RIBS AS SHOWN.



STEP 34 - RIDGE CAP ASSEMBLY

QTY	PART NUMBER	DESCRIPTION
14	H100833	SCREW WOODGRIP 10-16x3/4"



A4M02946 RIDGE CAP 29GA
(x1)

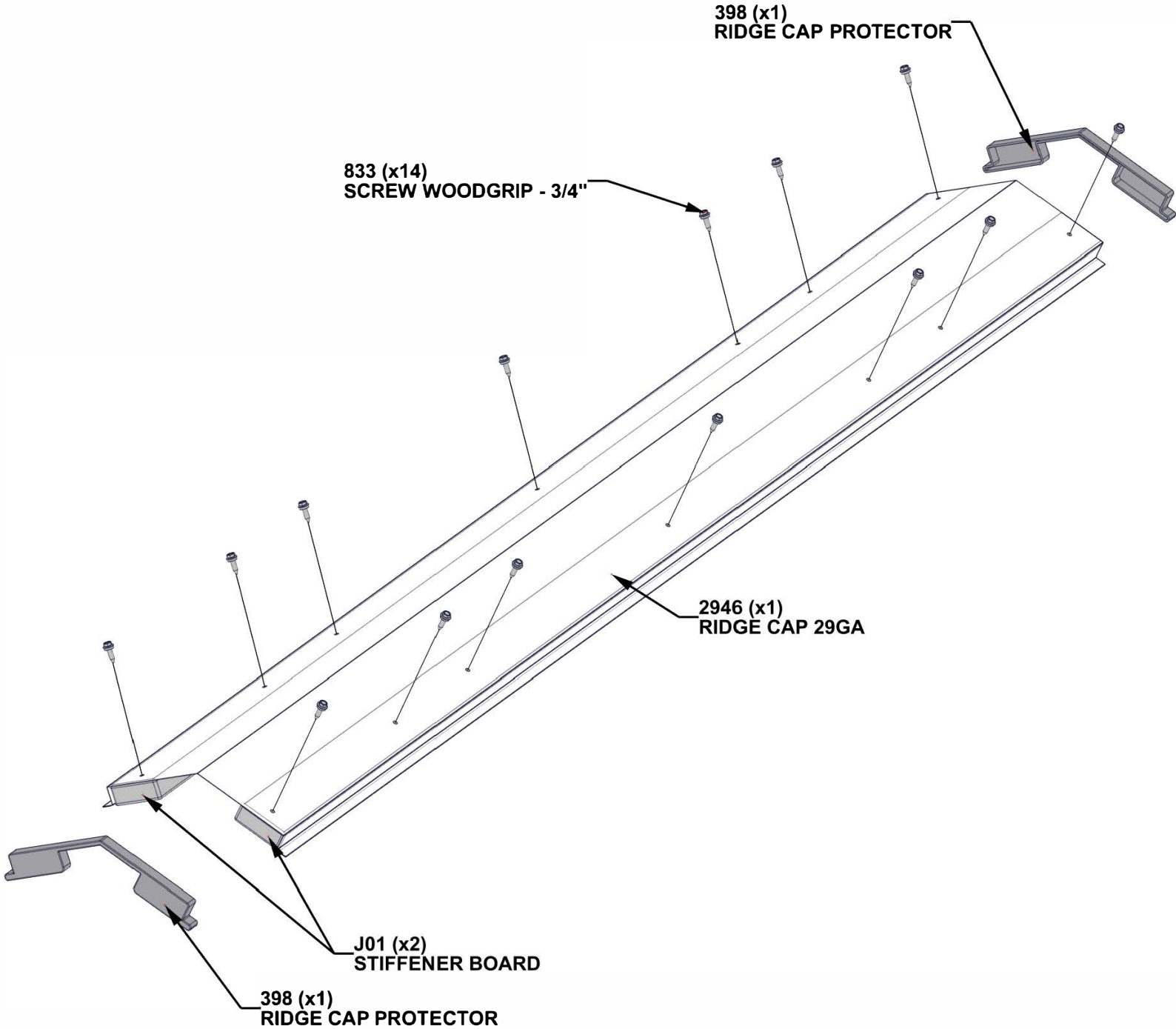


A6P00398 RIDGE CAP PROTECTOR
(x2)



J01 STIFFENER BOARD - W4L20014
(x2) 15/16"x2 3/8"x71 5/8" (24x60x1820)

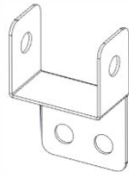
- PLACE J01 IN RIDGE CAP, FASTEN DOWN, THEN ADD RIDGE CAP PROTECTOR TO ENDS.
- SET THIS COMPONENT ASIDE FOR LATER USE.
- THE SIZE OF THE RIDGE CAP ASSEMBLY IS APPROXIMATELY 71-7/8" [1824mm].



STEP 35 - OUTDOOR BAR ASSEMBLY



AL05 VERTICAL GABLE SUPPORT - W4L20544
(x1) 1 7/16"x4 7/16"x20 5/8" (36x112x524)



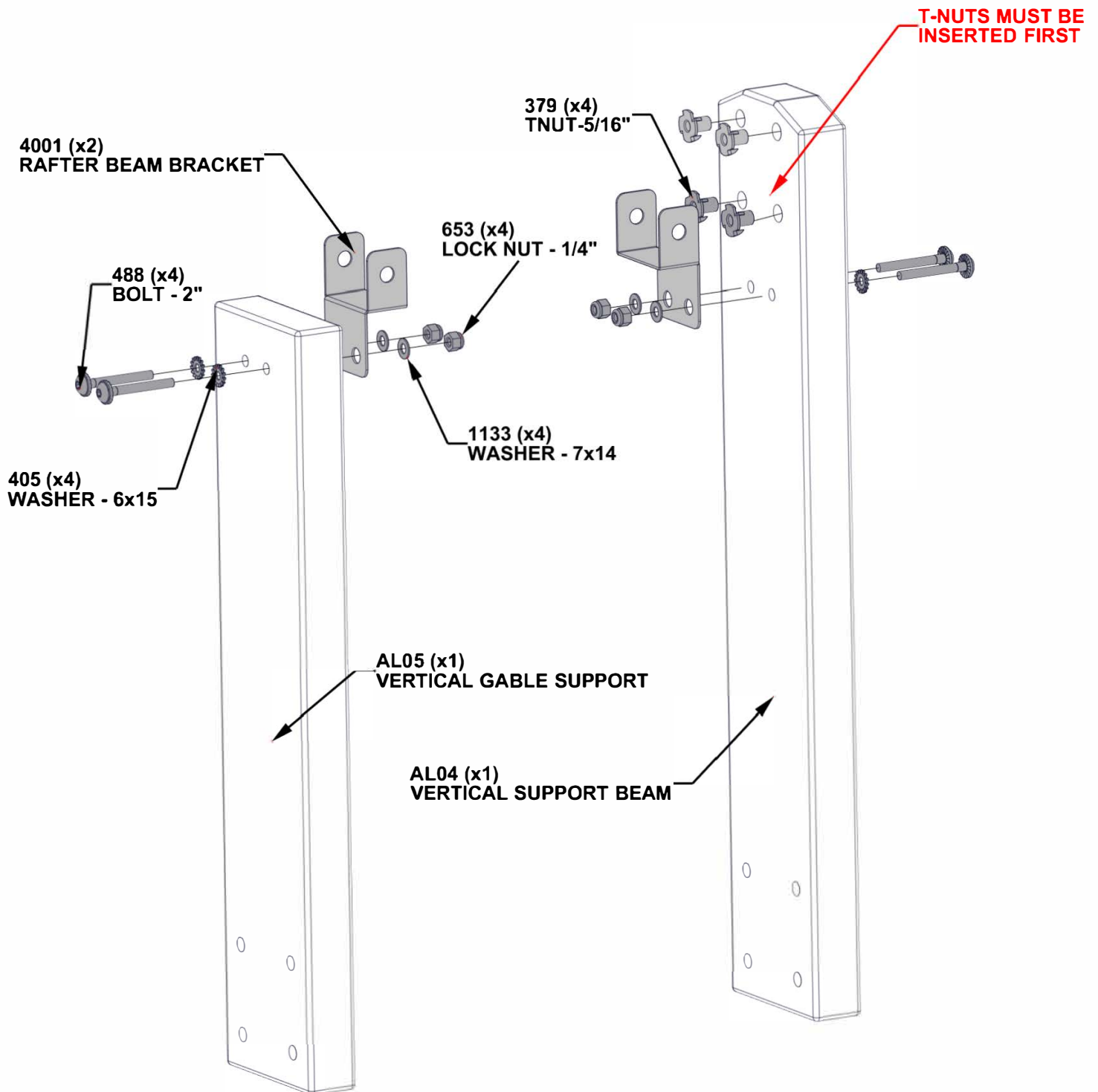
A4M04001 RAFTER BEAM BRACKET
(x2)



AL04 VERTICAL SUPPORT BEAM - W4L20542
(x1) 1 7/16"x4 7/16"x24 5/8" (36x112x625)

QTY	PART NUMBER	DESCRIPTION
4	H100379	TNUT-5/16" BLK
4	H100405	WASHER LOCK EXT 6x15
4	H100488	BOLT WH 1/4x2 BLK
4	H100653	NUT LOCK 1/4 BLK
4	H101133	WASHER FLAT 7x14 BLK

-INSERT T-NUTS FIRST, FAILURE TO DO SO WILL RESULT IN INCORRECT INSTALLATION OF THE ROOF.



STEP 36 - OUTDOOR BAR ASSEMBLY

QTY	PART NUMBER	DESCRIPTION
8	H100195	BOLT WH 5/16x2 3/4 BLK
4	H100198	WASHER LOCK EXT 8x19
8	H100379	TNUT-5/16" BLK



AL04 ASSEMBLY FROM PREVIOUS STEP

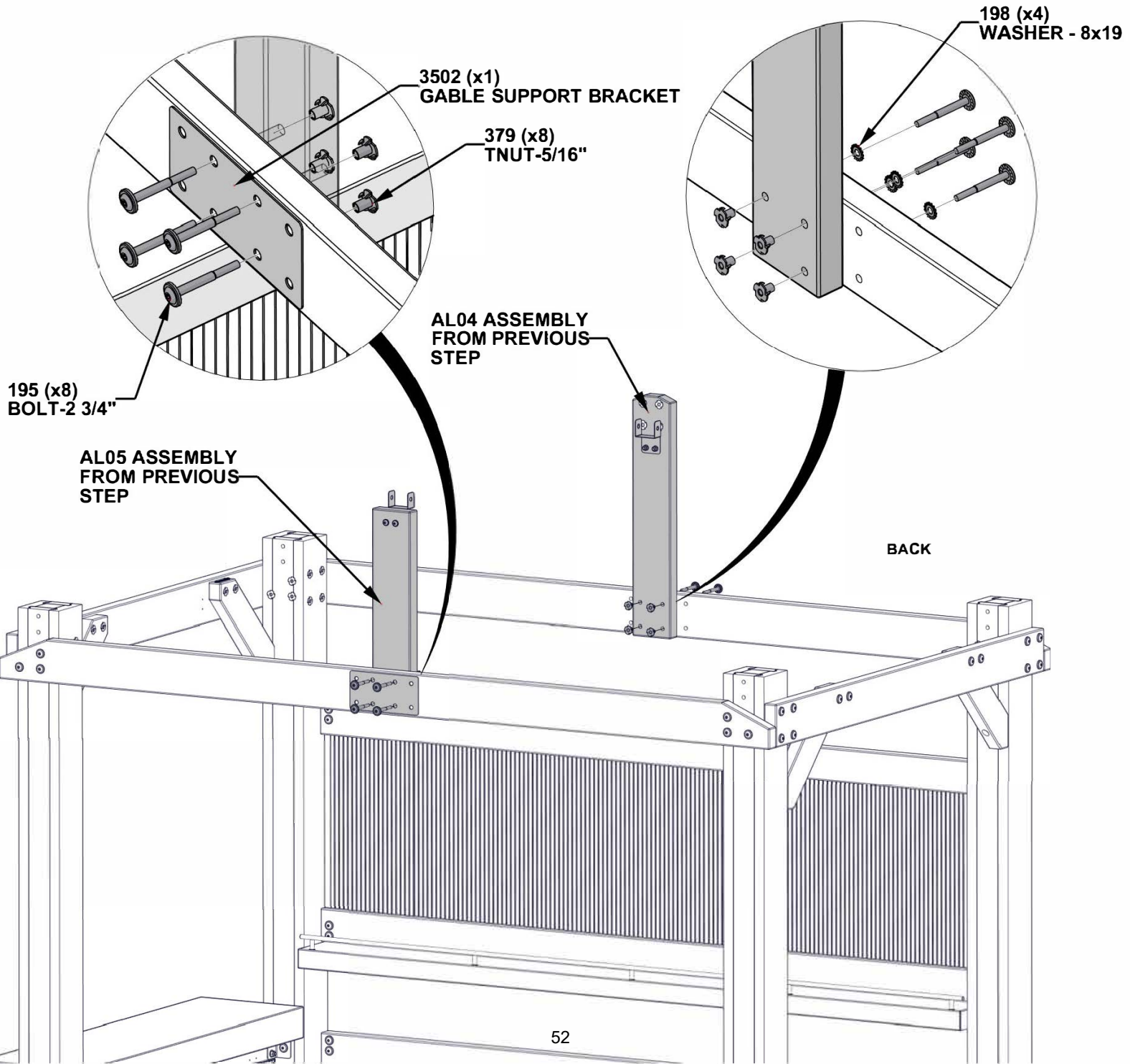


AL05 ASSEMBLY FROM PREVIOUS STEP

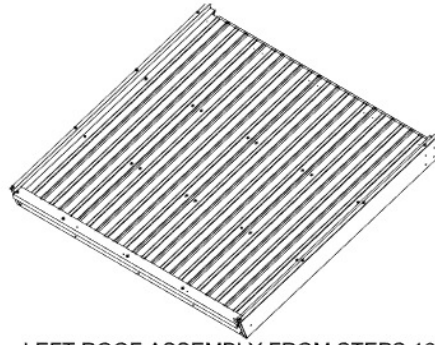


A4M03502 (x1) GABLE SUPPORT BRACKET

- INSERT T-NUTS FIRST.
- T-NUTS ARE INSERTED INTO AL02 AND AL05 BOARDS.

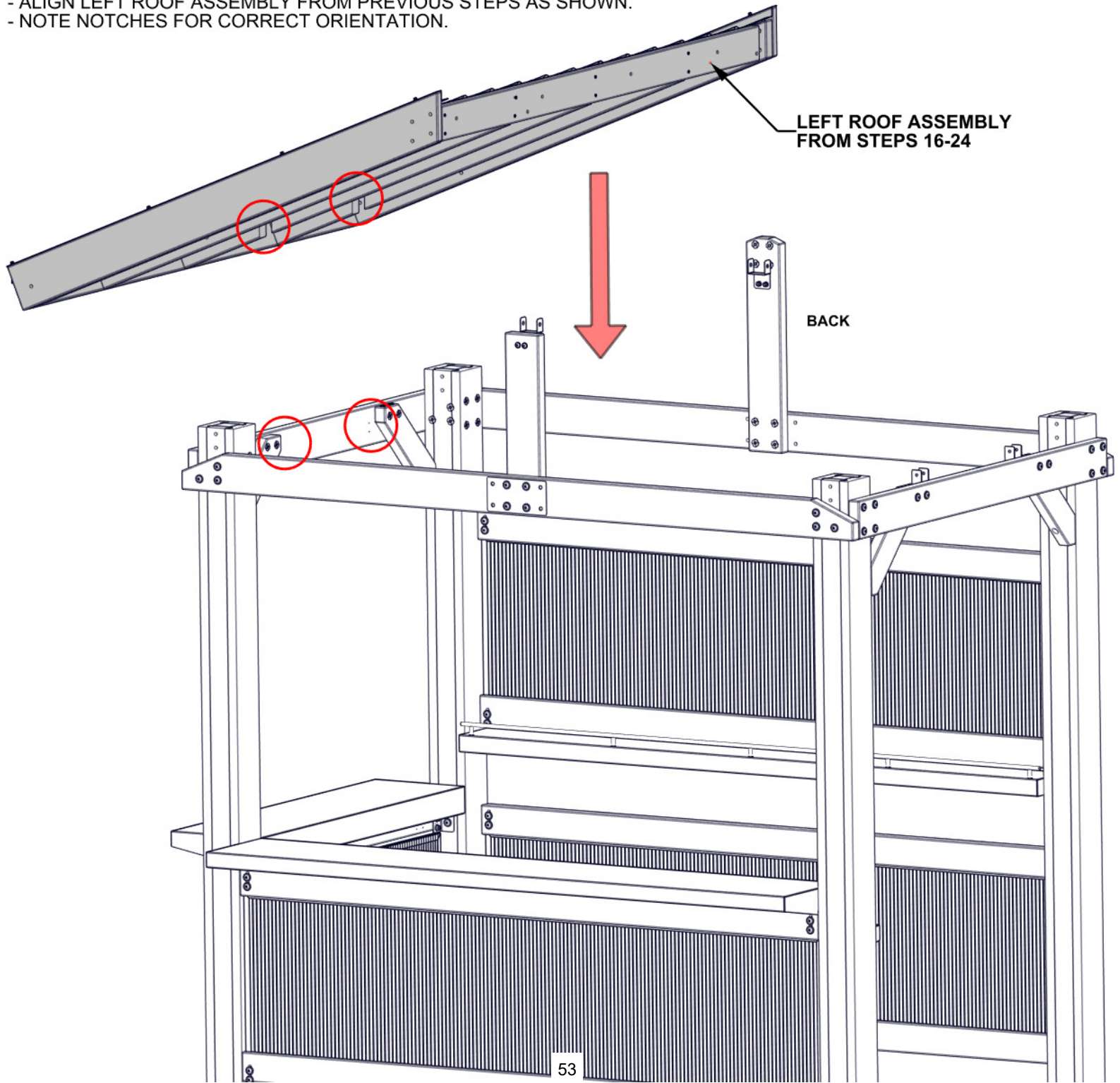


STEP 37 - OUTDOOR BAR ASSEMBLY



LEFT ROOF ASSEMBLY FROM STEPS 16-24

- ENSURE GAP AT THE PEAK IS TOWARD THE BACK.
- RAFTER NOTCHES SHOULD LINE UP WITH PILOT HOLES , AND RIDGE BEAM SITS IN SADDLE BRACKET.
- ADDITIONAL PEOPLE ARE HELPFUL FOR THIS STEP.
- ALIGN LEFT ROOF ASSEMBLY FROM PREVIOUS STEPS AS SHOWN.
- NOTE NOTCHES FOR CORRECT ORIENTATION.



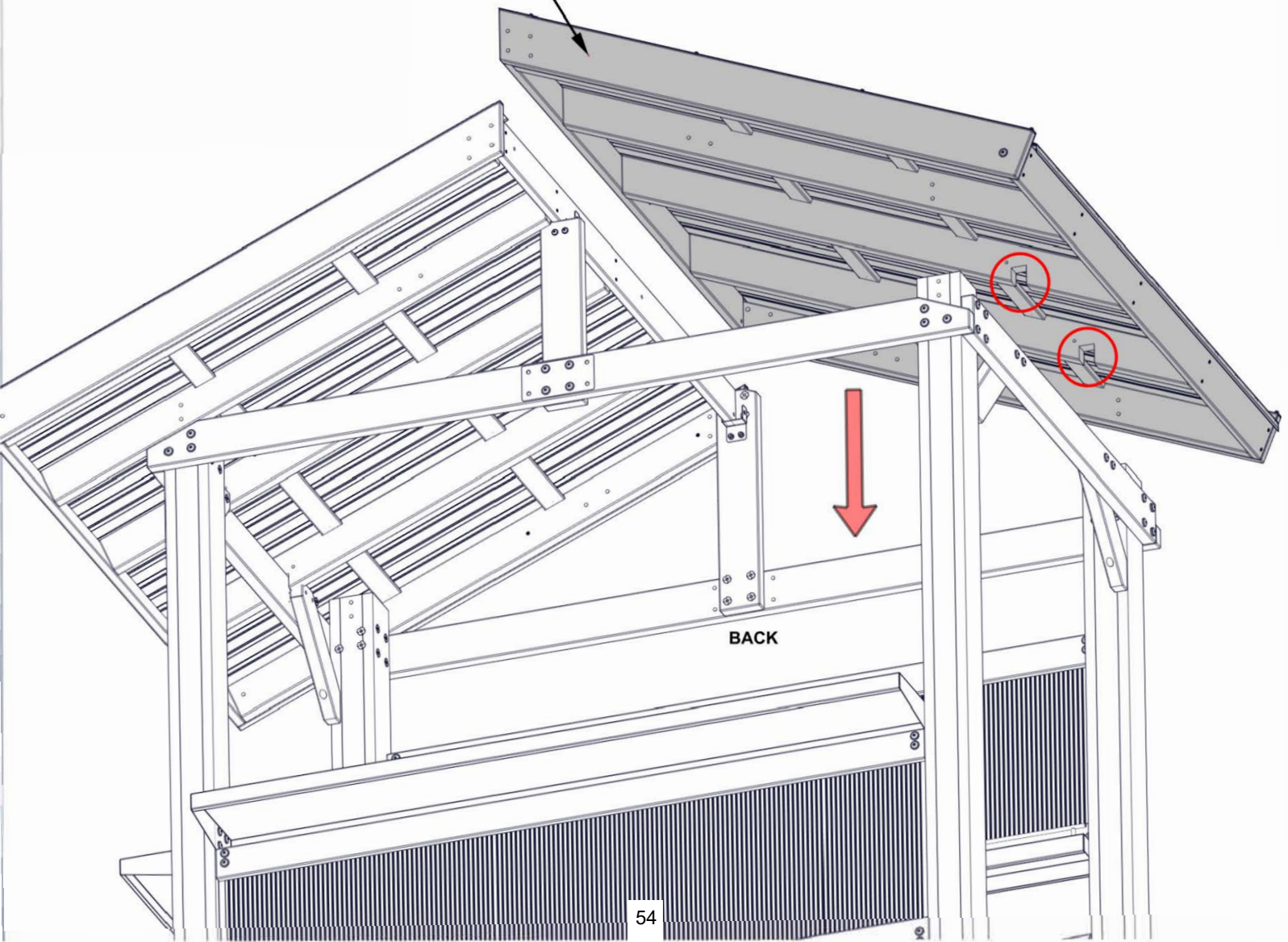
STEP 38 - OUTDOOR BAR ASSEMBLY



RIGHT ROOF ASSEMBLY FROM STEPS 25-33

- ENSURE GAP AT THE PEAK IS TOWARD THE BACK.
- RAFTER NOTCHES SHOULD LINE UP WITH PILOT HOLES, AND RIDGE BEAM SITS IN SADDLE BRACKET.
- ADDITIONAL PEOPLE ARE HELPFUL FOR THIS STEP.
- ALIGN LEFT ROOF ASSEMBLY FROM PREVIOUS STEPS AS SHOWN.
- NOTE NOTCHES FOR CORRECT ORIENTATION.

RIGHT ROOF ASSEMBLY
FROM STEPS 25-33



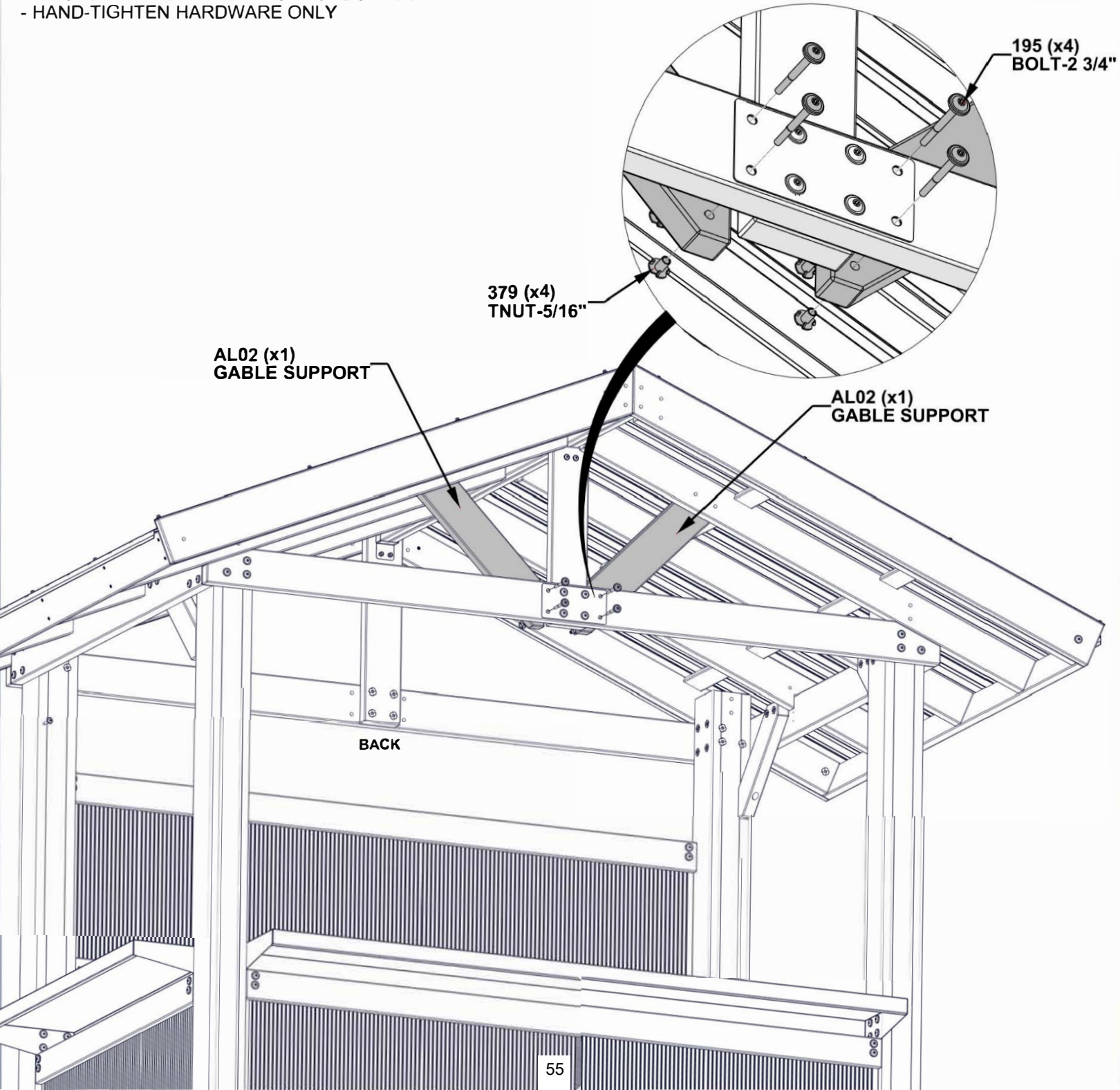
STEP 39 - OUTDOOR BAR ASSEMBLY

QTY	PART NUMBER	DESCRIPTION
4	H100195	BOLT WH 5/16x2 3/4 BLK
4	H100379	TNUT-5/16" BLK



AL02 GABLE SUPPORT - W4L20535
(x2) 4 7/16"x22 13/16" (36x112x580)

- INSERT T-NUTS FIRST.
- T-NUTS ARE INSERTED INTO AL02 BOARDS.
- HAND-TIGHTEN HARDWARE ONLY



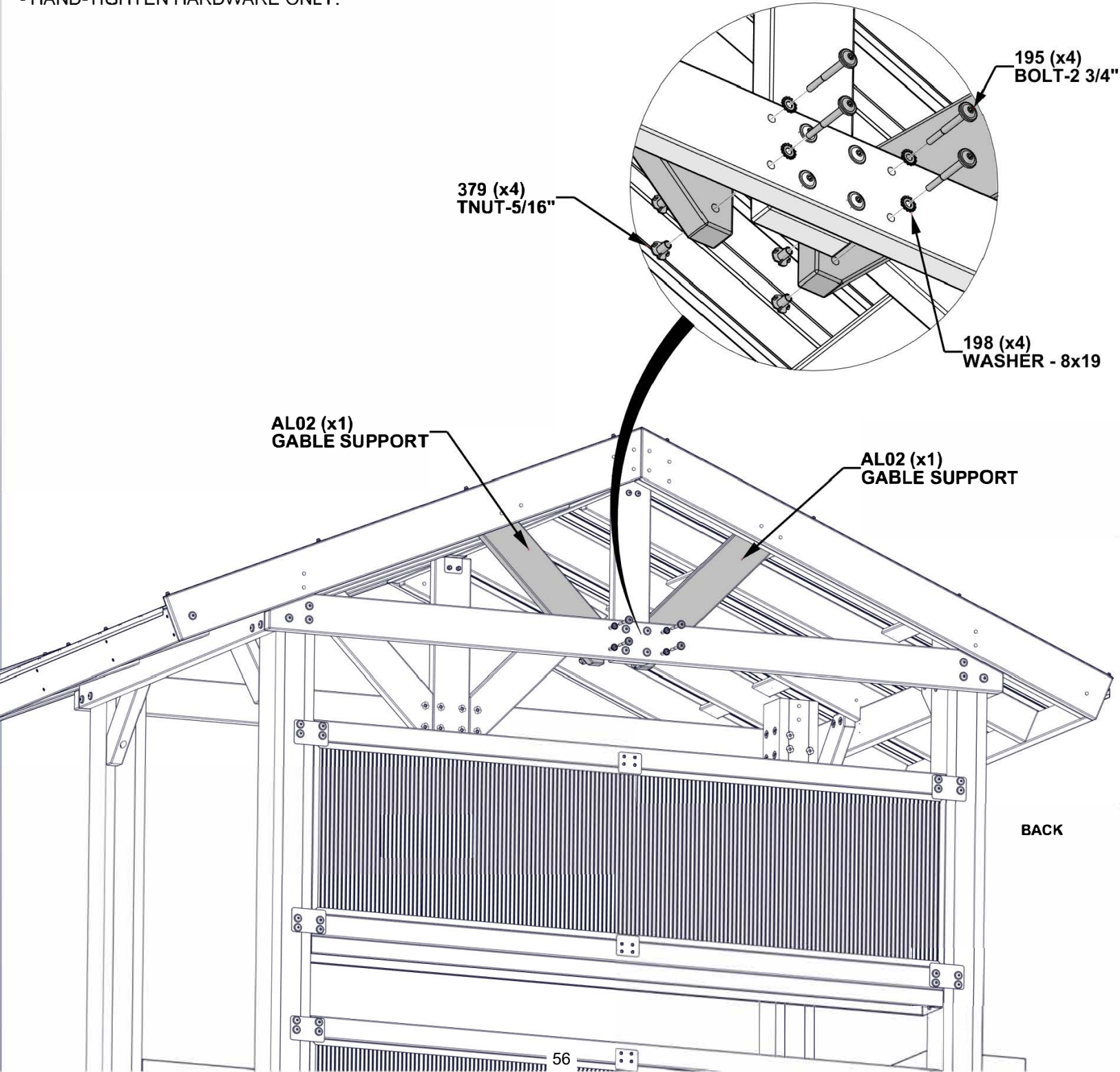
STEP 40 - OUTDOOR BAR ASSEMBLY

QTY	PART NUMBER	DESCRIPTION
4	H100195	BOLT WH 5/16x2 3/4 BLK
4	H100198	WASHER LOCK EXT 8x19
4	H100379	TNUT-5/16" BLK



AL02 GABLE SUPPORT - W4L20535
(x2) 4 7/16"x22 13/16" (36x112x580)

- INSERT T-NUTS FIRST.
- T-NUTS ARE INSERTED INTO AL02 BOARDS.
- HAND-TIGHTEN HARDWARE ONLY.



STEP 41 - OUTDOOR BAR ASSEMBLY

QTY	PART NUMBER	DESCRIPTION
4	H100195	BOLT WH 5/16x2 3/4 BLK
8	H100198	WASHER LOCK EXT 8x19
8	H100379	TNUT-5/16" BLK
4	H100415	BOLT WH 5/16x3 3/4 BLK

- INSERT T-NUTS FIRST AND INTO THE FOUR AL02 BOARDS INSTALLED IN STEPS 39 AND 40.
- HAND-TIGHTEN HARDWARE ONLY.

195 (x4)
BOLT-2 3/4"

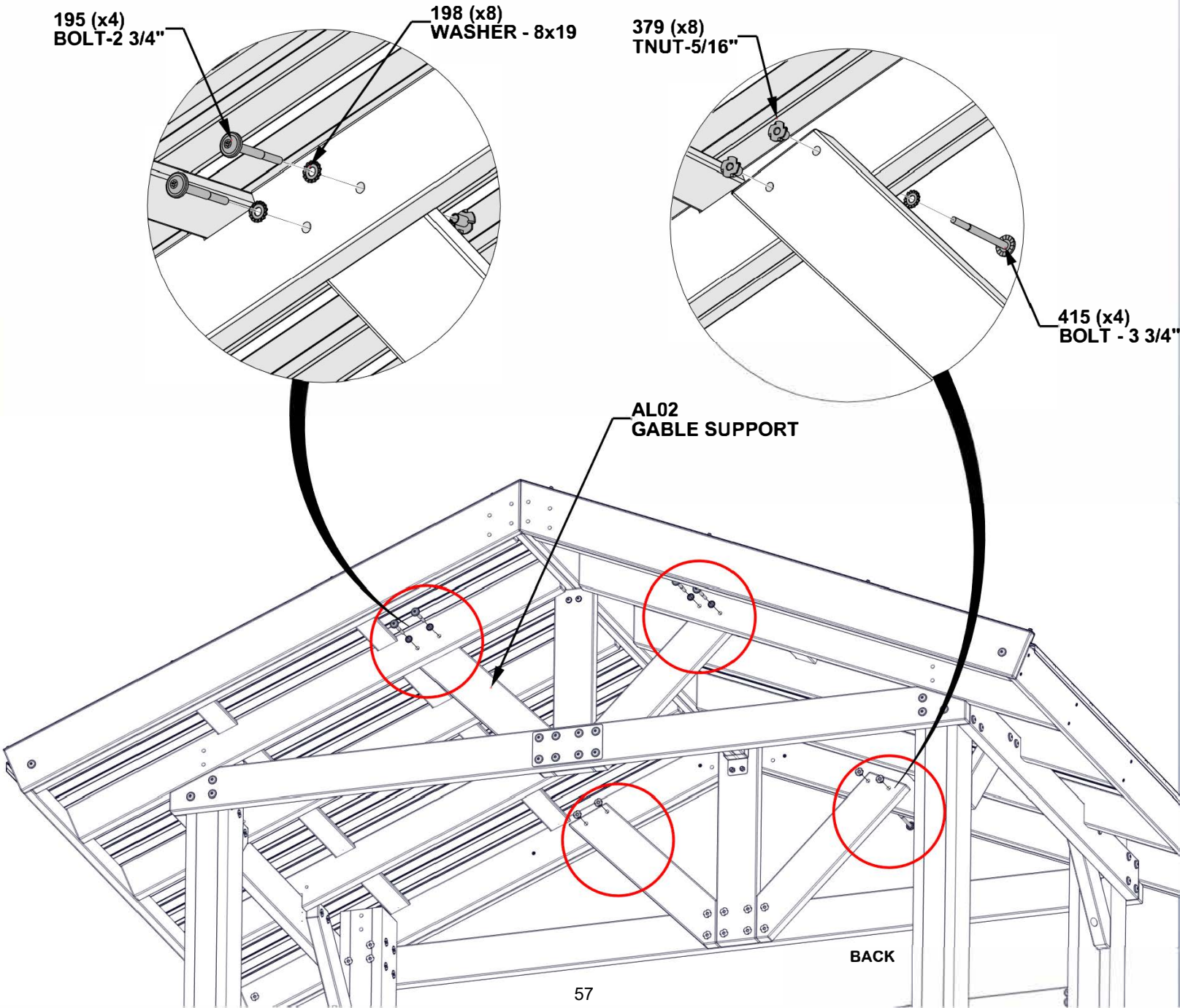
198 (x8)
WASHER - 8x19

379 (x8)
TNUT-5/16"

415 (x4)
BOLT - 3 3/4"

AL02
GABLE SUPPORT

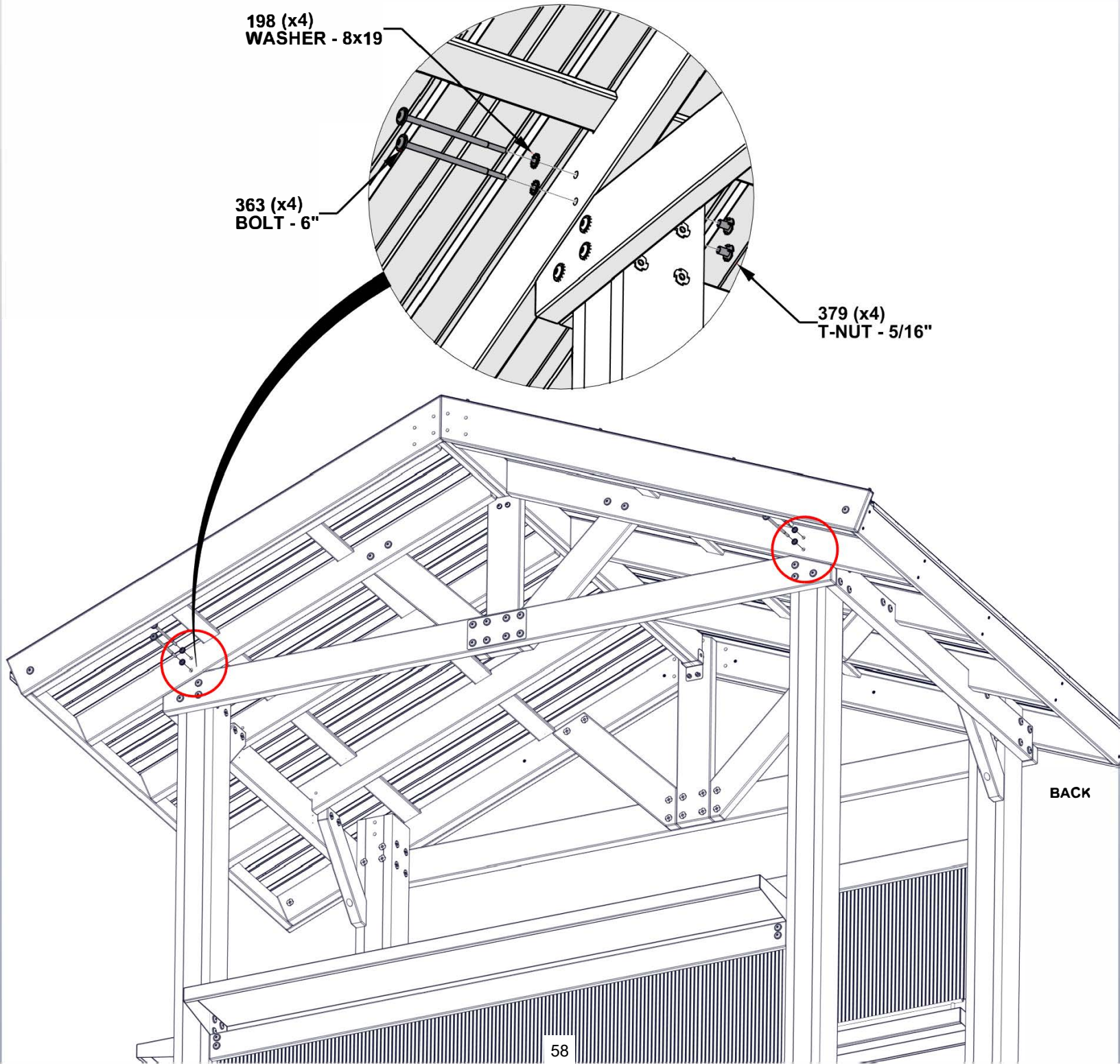
BACK



STEP 42 - OUTDOOR BAR ASSEMBLY

QTY	PART NUMBER	DESCRIPTION
4	H100198	WASHER LOCK EXT 8x19
4	H100363	BOLT WH 5/16x6 BLK
4	H100379	T-NUT 5/16 BLK

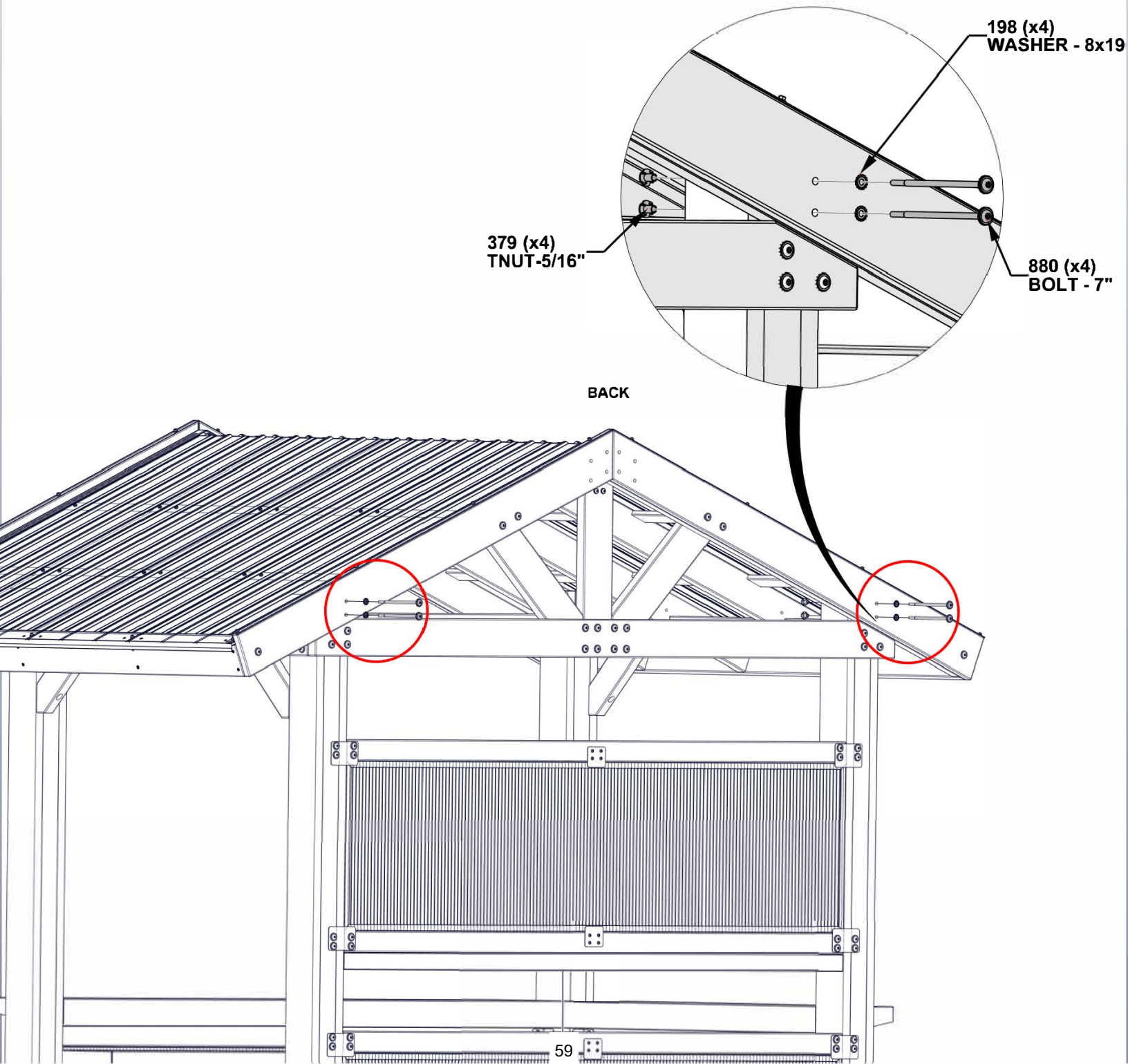
- INSERT T-NUTS FIRST.
- HAND-TIGHTEN HARDWARE ONLY.



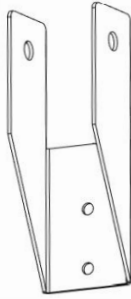
STEP 43 - OUTDOOR BAR ASSEMBLY

QTY	PART NUMBER	DESCRIPTION
4	H100198	WASHER LOCK EXT 8x19
4	H100379	TNUT-5/16" BLK
4	H100880	BOLT WH 5/16x7 BLK

- INSERT T-NUTS FIRST.
- HAND-TIGHTEN HARDWARE ONLY.



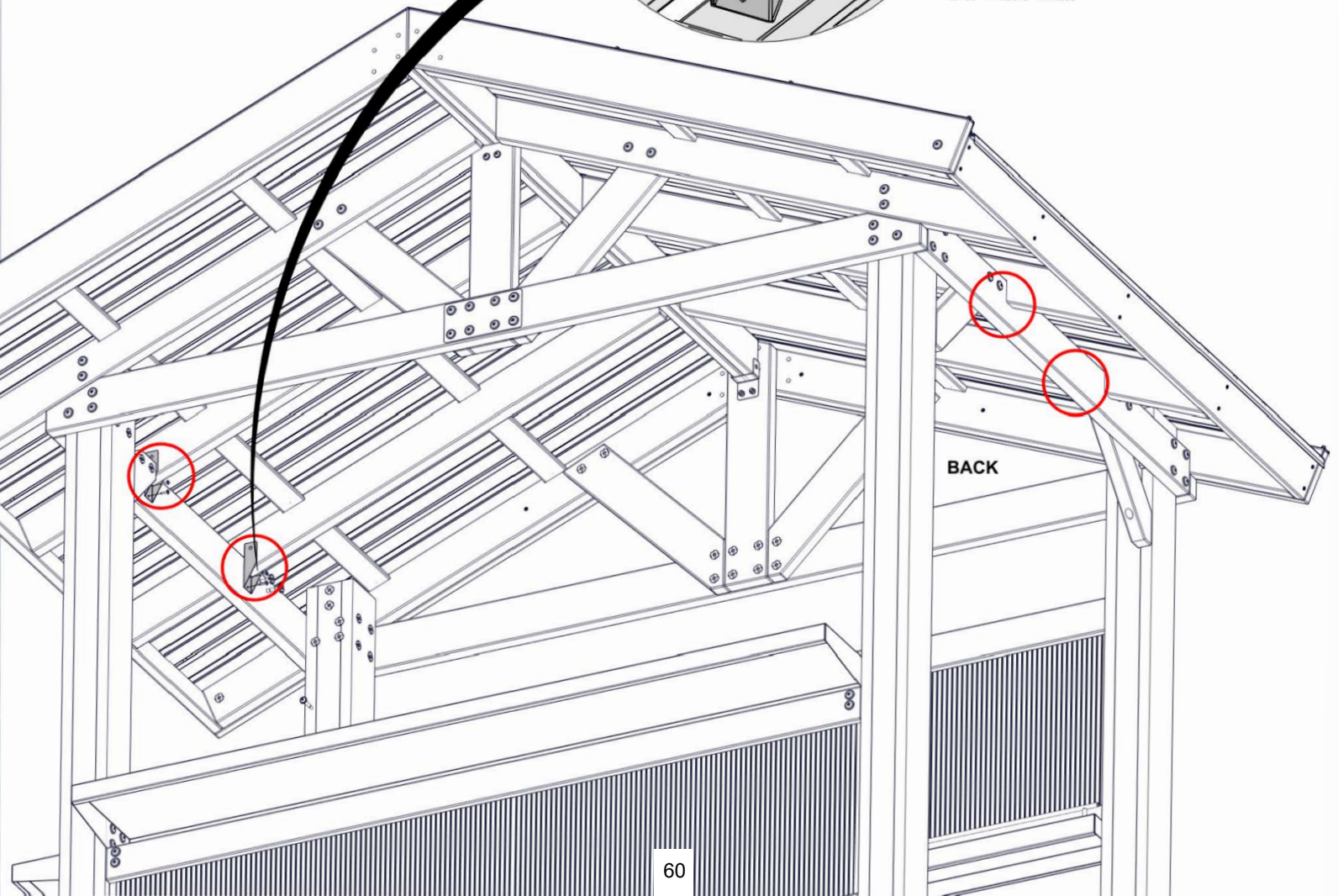
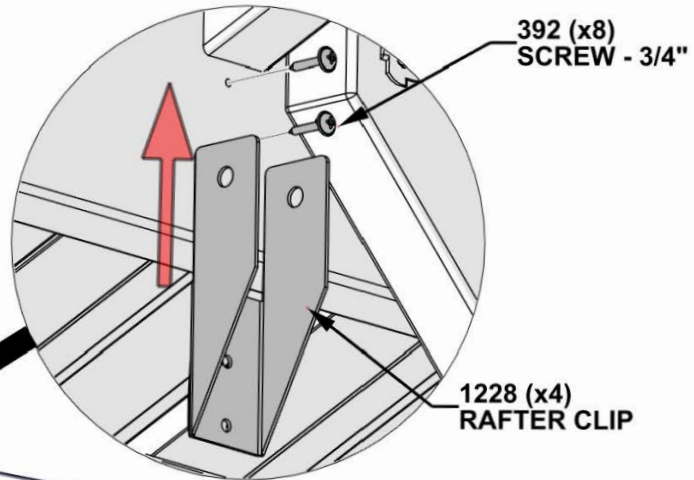
STEP 44 - OUTDOOR BAR ASSEMBLY



A4M01228 RAFTER CLIP
(x4)

QTY	PART NUMBER	DESCRIPTION
8	H100392	SCREW PWH 8x3/4 BLK

- PLACE FLAT SIDE OF RAFTER CLIP (1228) AGAINST BEAM AND SLIDE UP, ALIGN PILOT HOLES, THEN FASTEN WITH SCREWS AS SHOWN BELOW.

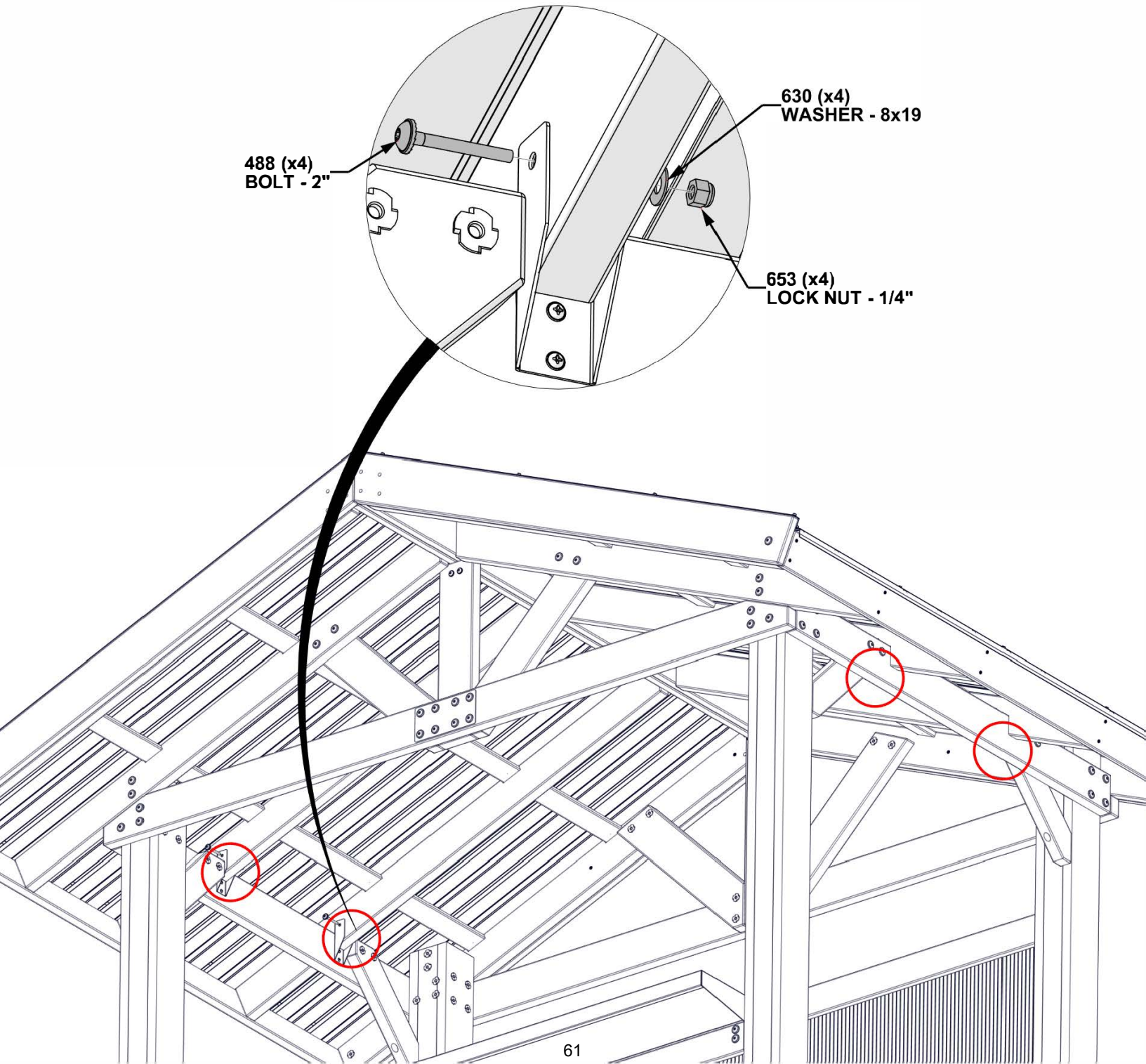


STEP 45 - OUTDOOR BAR ASSEMBLY

QTY	PART NUMBER	DESCRIPTION
4	H100488	BOLT WH 1/4x2 BLK
4	H100630	WASHER FLAT 8x19 BLK
4	H100653	NUT LOCK 1/4 BLK

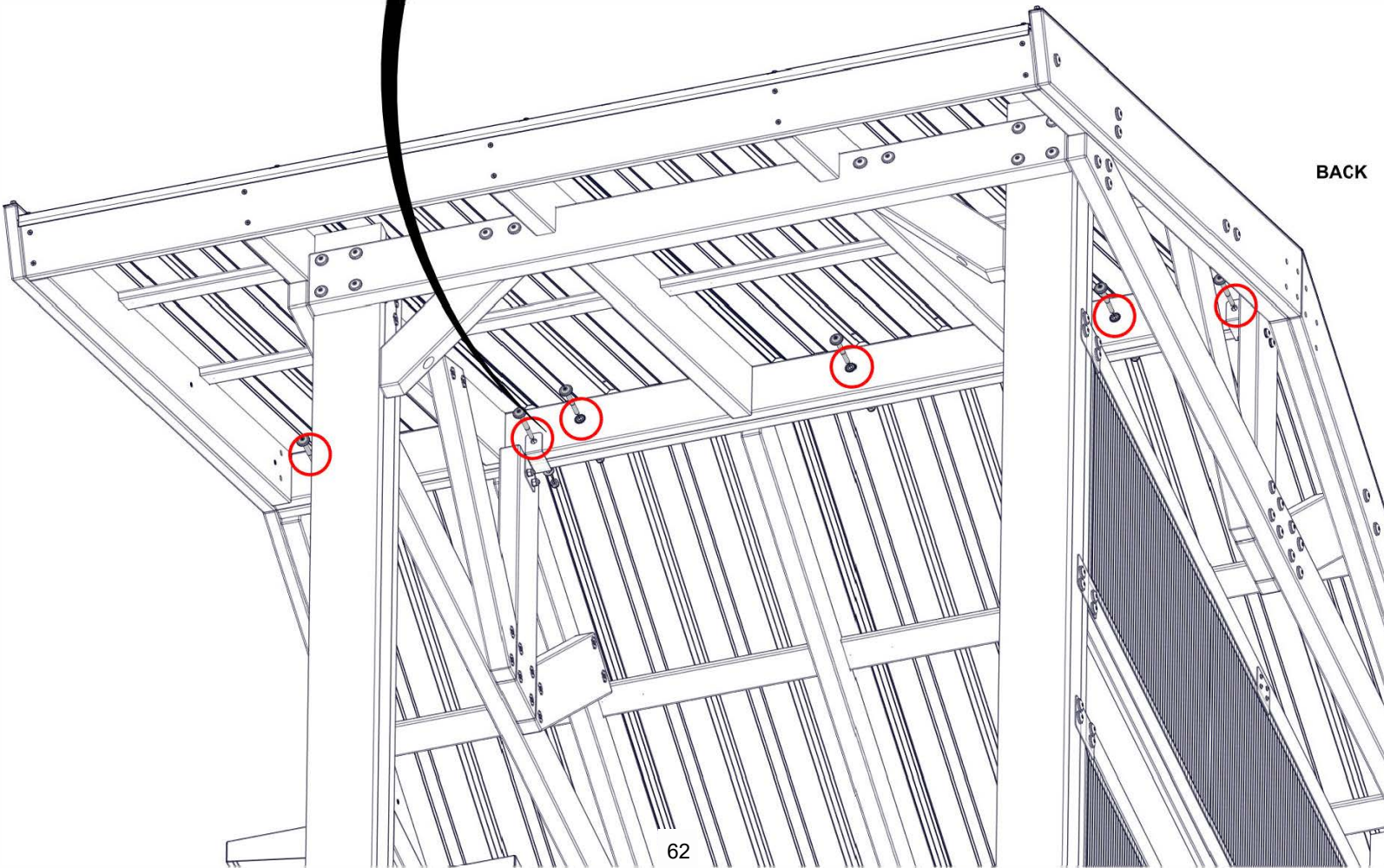
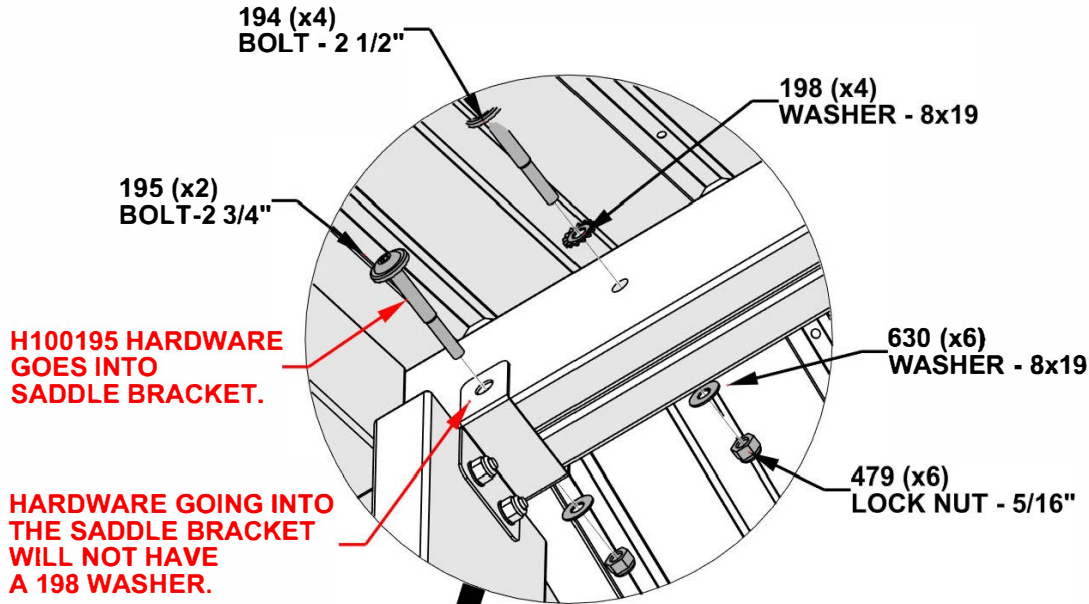
- HAND-TIGHTEN HARDWARE ONLY.

- AFTER ALL HARDWARE HAS BEEN HAND TIGHTENED, COMPLETELY TIGHTEN HARDWARE FROM STEPS 39-45.



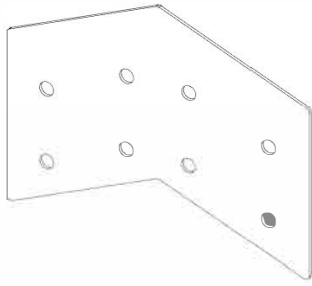
STEP 46 - OUTDOOR BAR ASSEMBLY

QTY	PART NUMBER	DESCRIPTION
4	H100194	BOLT WH 5/16x2 1/2" BLK
2	H100195	BOLT WH 5/16x2 3/4" BLK
4	H100198	WASHER LOCK EXT 8x19
6	H100479	NUT LOCK 5/16 BLK
6	H100630	WASHER FLAT 8x19 BLK



STEP 47 - OUTDOOR BAR ASSEMBLY

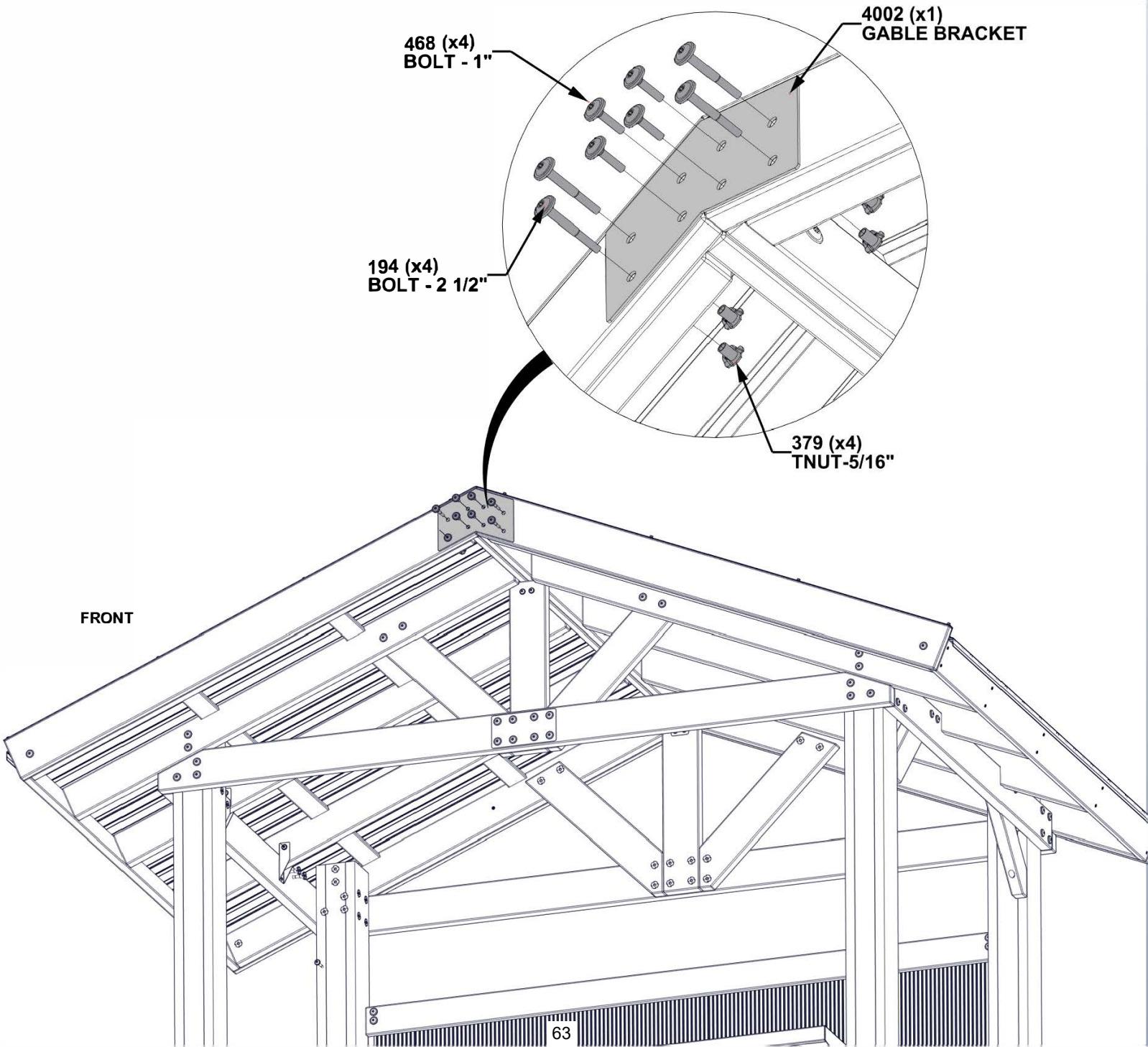
QTY	PART NUMBER	DESCRIPTION
4	H100468	BOLT WH 5/16x1 BLK
4	H100379	TNUT-5/16" BLK
4	H100194	BOLT WH 5/16x2 1/2 BLK



A4M04002 GABLE BRACKET
(x1)

- INSERT T-NUTS FIRST AND ONLY IN OUTSIDE FOUR HOLES.

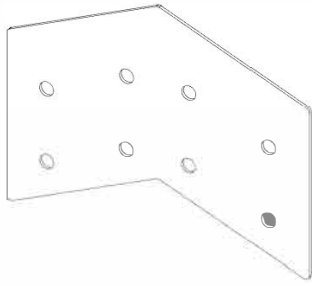
- 194 BOLTS GO IN THE OUTSIDE HOLES, 468 BOLTS GO IN THE INSIDE HOLES.
- 468 BOLT WILL FASTEN INTO T-NUTS INSTALLED IN STEPS 20 AND 29.



FRONT

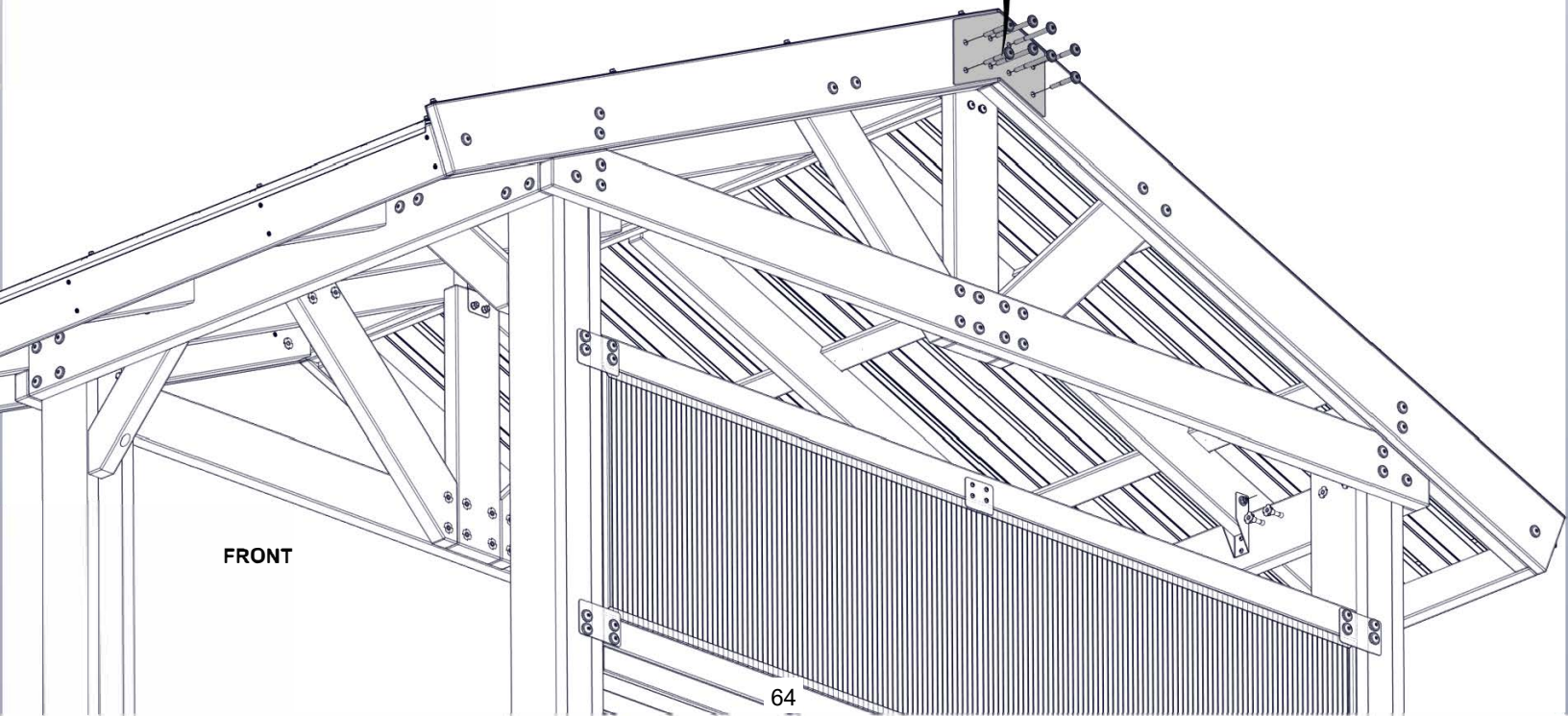
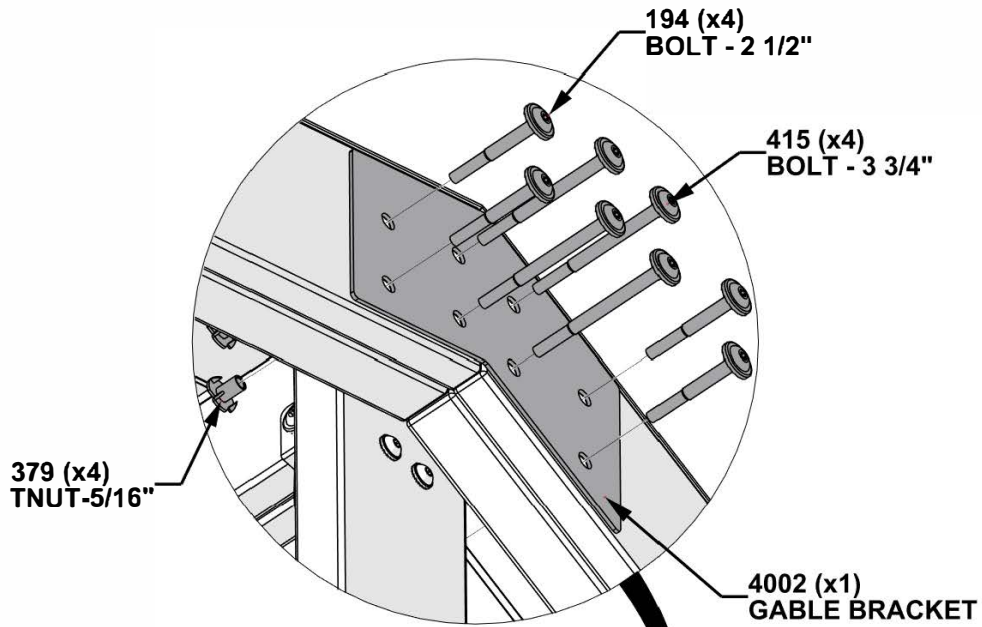
STEP 48 - OUTDOOR BAR ASSEMBLY

QTY	PART NUMBER	DESCRIPTION
4	H100194	BOLT WH 5/16x2 1/2 BLK
4	H100379	TNUT-5/16" BLK
4	H100415	BOLT WH 5/16x3 3/4 BLK



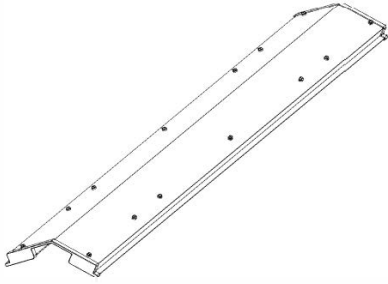
A4M04002 GABLE BRACKET
(x1)

- **INSERT T-NUTS FIRST AND ONLY IN OUTSIDE FOUR HOLES.**
- 194 BOLTS GO IN THE OUTSIDE HOLES, 415 BOLTS GO IN THE INSIDE HOLES.
- 415 BOLT WILL FASTEN INTO T-NUTS INSTALLED IN STEP 35.



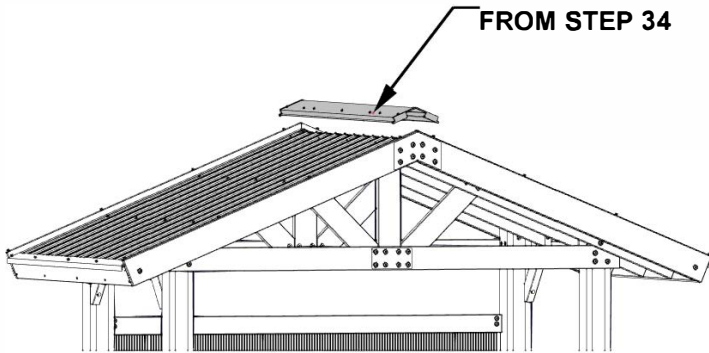
STEP 49 - OUTDOOR BAR ASSEMBLY

QTY	PART NUMBER	DESCRIPTION
16	H100392	SCREW PWH 8x3/4 BLK

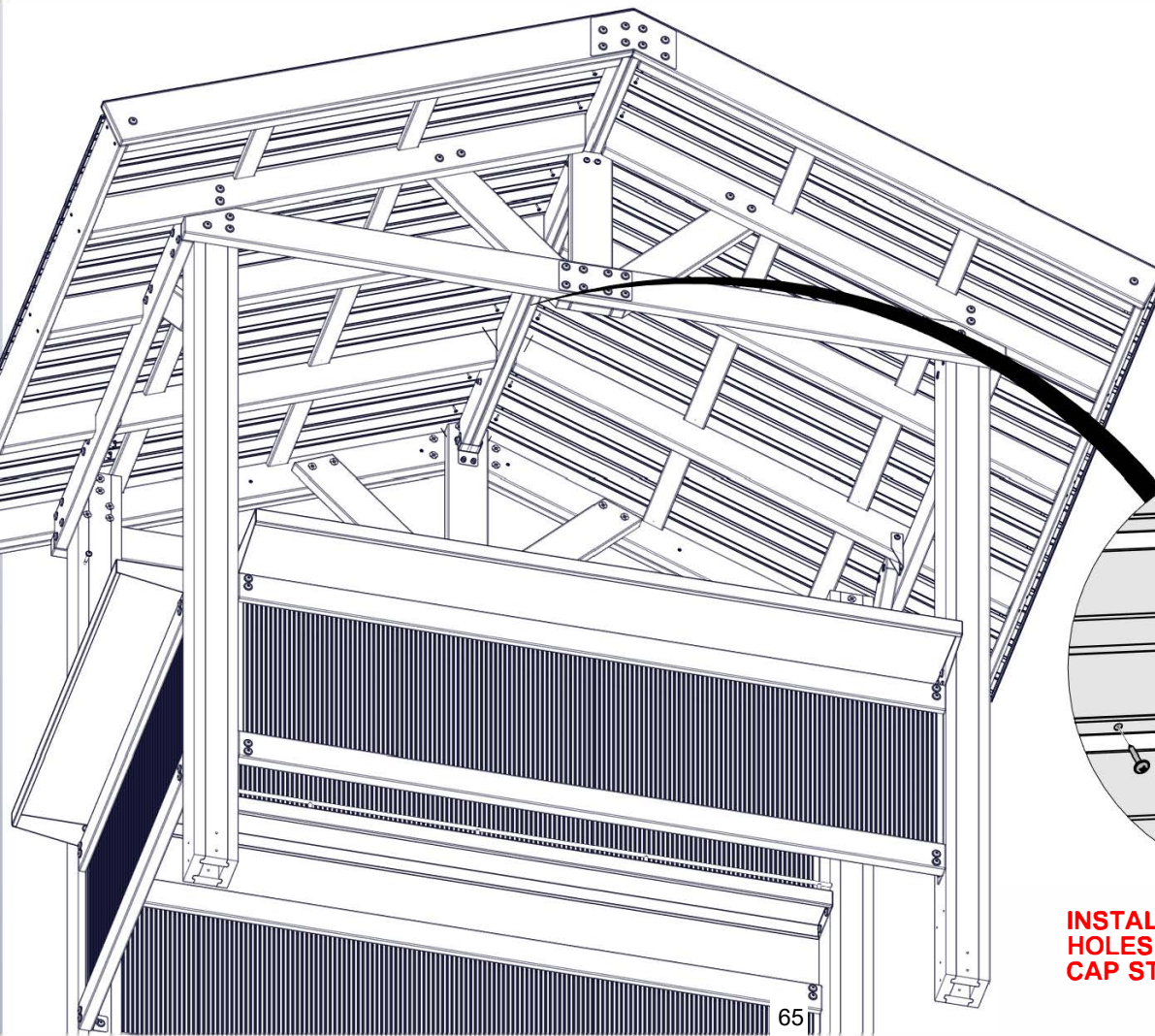
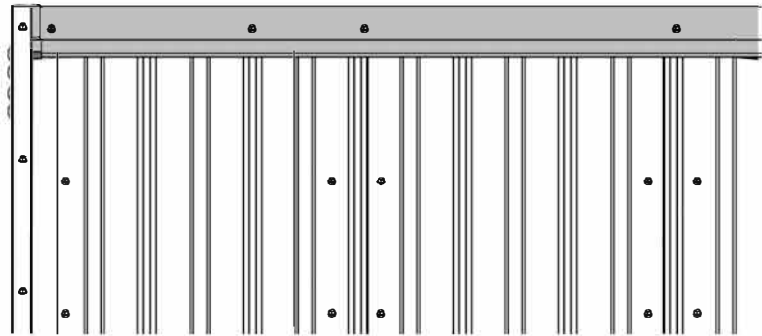


RIDGE CAP ASSEMBLY FROM STEP 34

DO NOT CLIMB ON ROOF TO INSTALL. RIDGE CAP AS BEEN DESIGNED TO INSTALL FROM A LADDER FROM UNDERNEATH.
- FOR PROPER INSTALLATION, USE AN ADULT HELPER TO KEEP DOWNWARD PRESSURE ON THE RIDGE CAP WHILE FASTENING.



FRONT



392 (x16)
SCREW - 3/4"

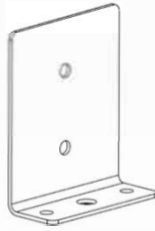
INSTALL SCREWS THROUGH PILOT HOLES IN ROOF PANELS INTO RIDGE CAP STIFFENER BOARDS.

STEP 50 - OUTDOOR BAR ASSEMBLY

QTY	PART NUMBER	DESCRIPTION
32	H100471	LAG SCREW WH 5/16x1 1/2 BLK

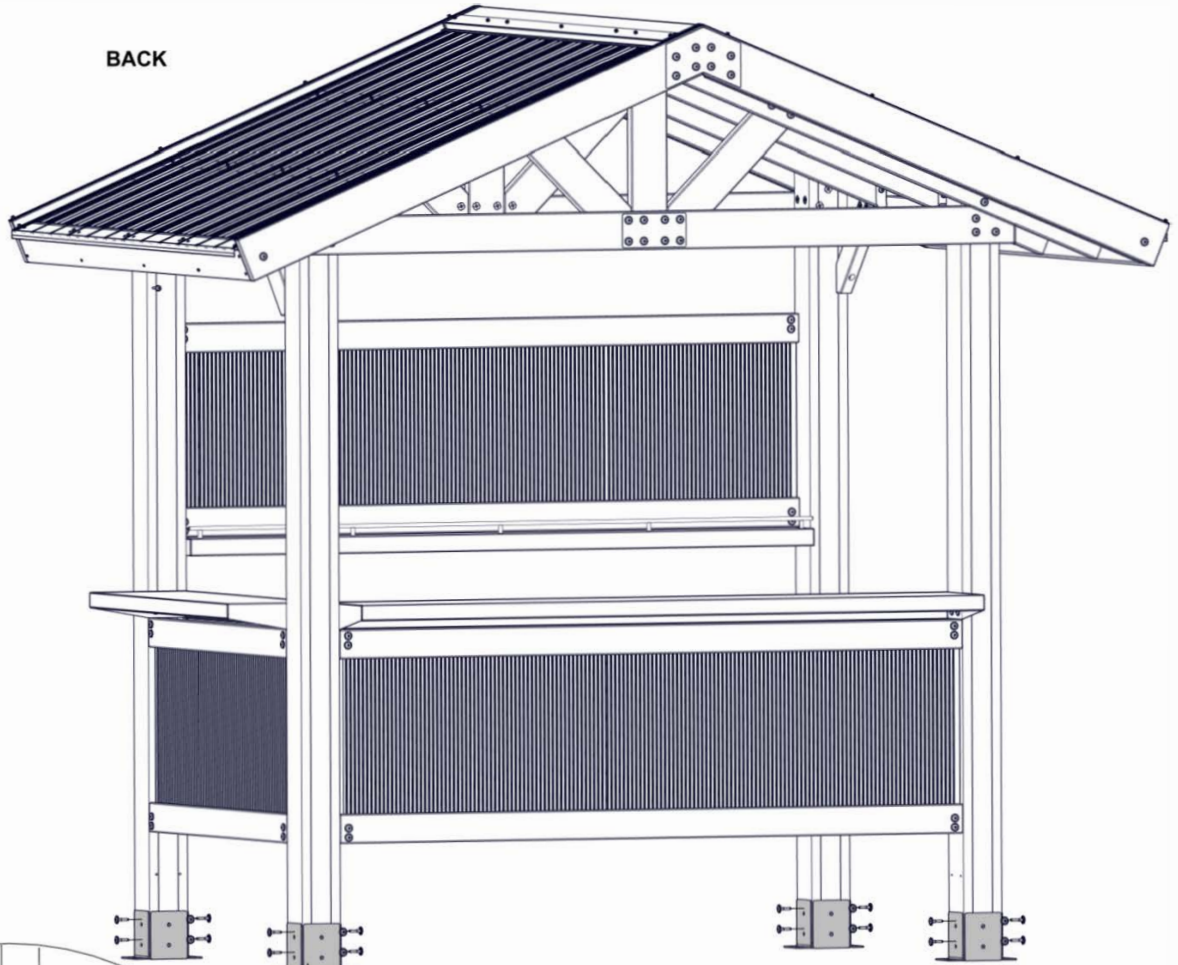


A4M01477 POST PLATE
(x8)



A4M01478 POST ANCHORING PLATE
(x8)

- LINE UP PLATE HOLES WITH PILOT HOLES IN POST AND ATTACH AS SHOWN BELOW.

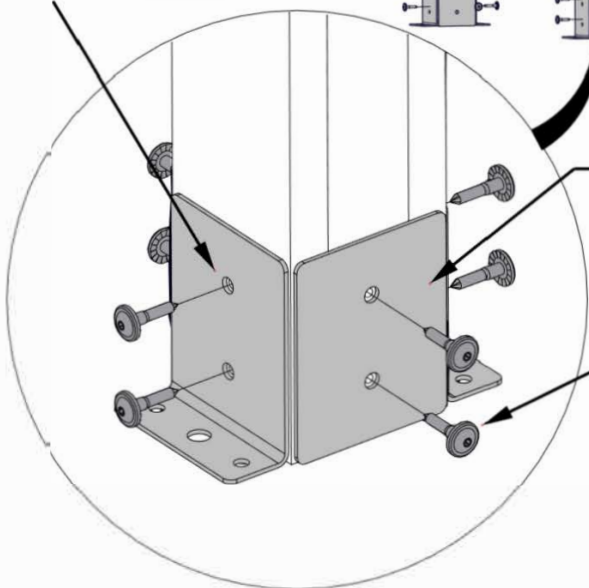


BACK

478 (x8)
POST ANCHORING PLATE

477 (x8)
POST PLATE

471 (x32)
LAG SCREW - 1 1/2"

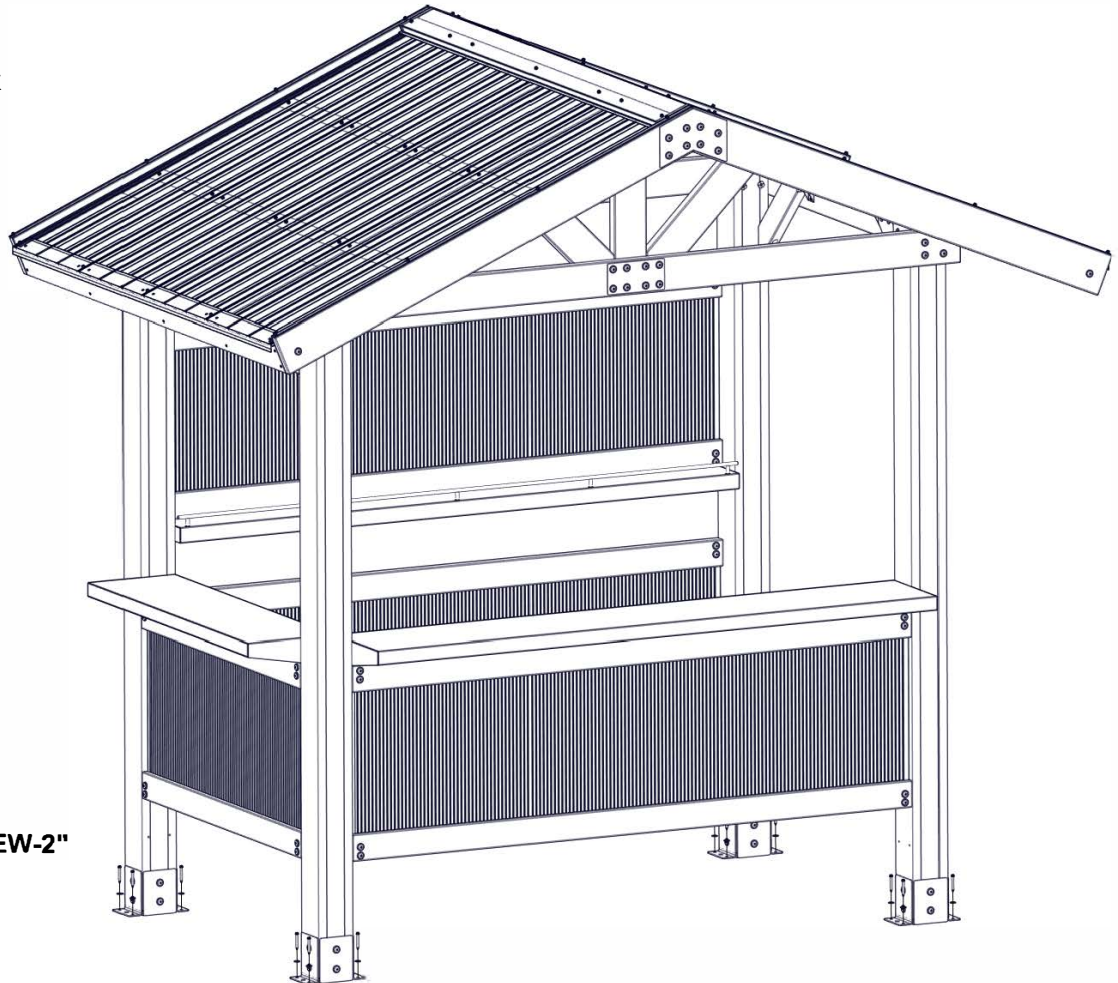


STEP 51 - OUTDOOR BAR ASSEMBLY

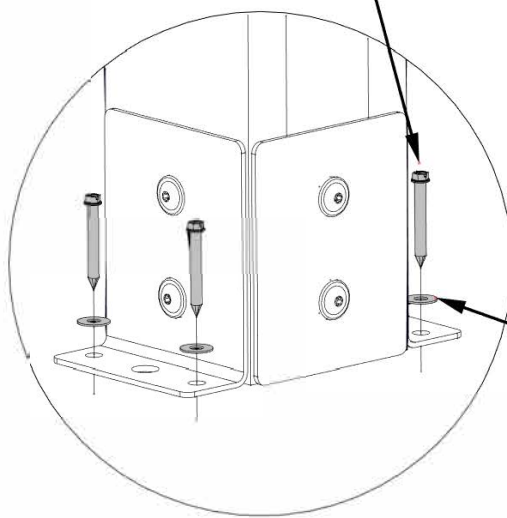
QTY	PART NUMBER	DESCRIPTION
16	H100120	CONCRETE ANCHOR 1/4"x2"
16	H100630	WASHER FLAT 8x19 BLK

- MANUFACTURER RECOMMENDS INSTALLATION ON CONCRETE SURFACE OR CONCRETE POST PAD AS SHOWN BELOW.
- FOR INSTALLATION ON WOOD DECK, YOU MUST ENSURE THERE IS AMPLE STRUCTURAL SUPPORT UNDER THE DECK.
- HARDWARE NOT INCLUDED FOR DECK ATTACHMENT.

BACK



120 (x16)
CONCRETE SCREW-2"

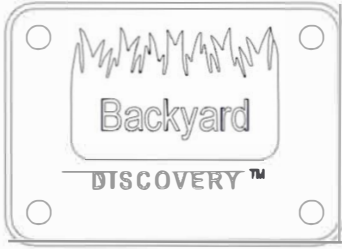


PRE-DRILL HOLES FOR CONCRETE ANCHORS
USING A 3/16" CONCRETE DRILL BIT

630 (x16)
WASHER - 8x19

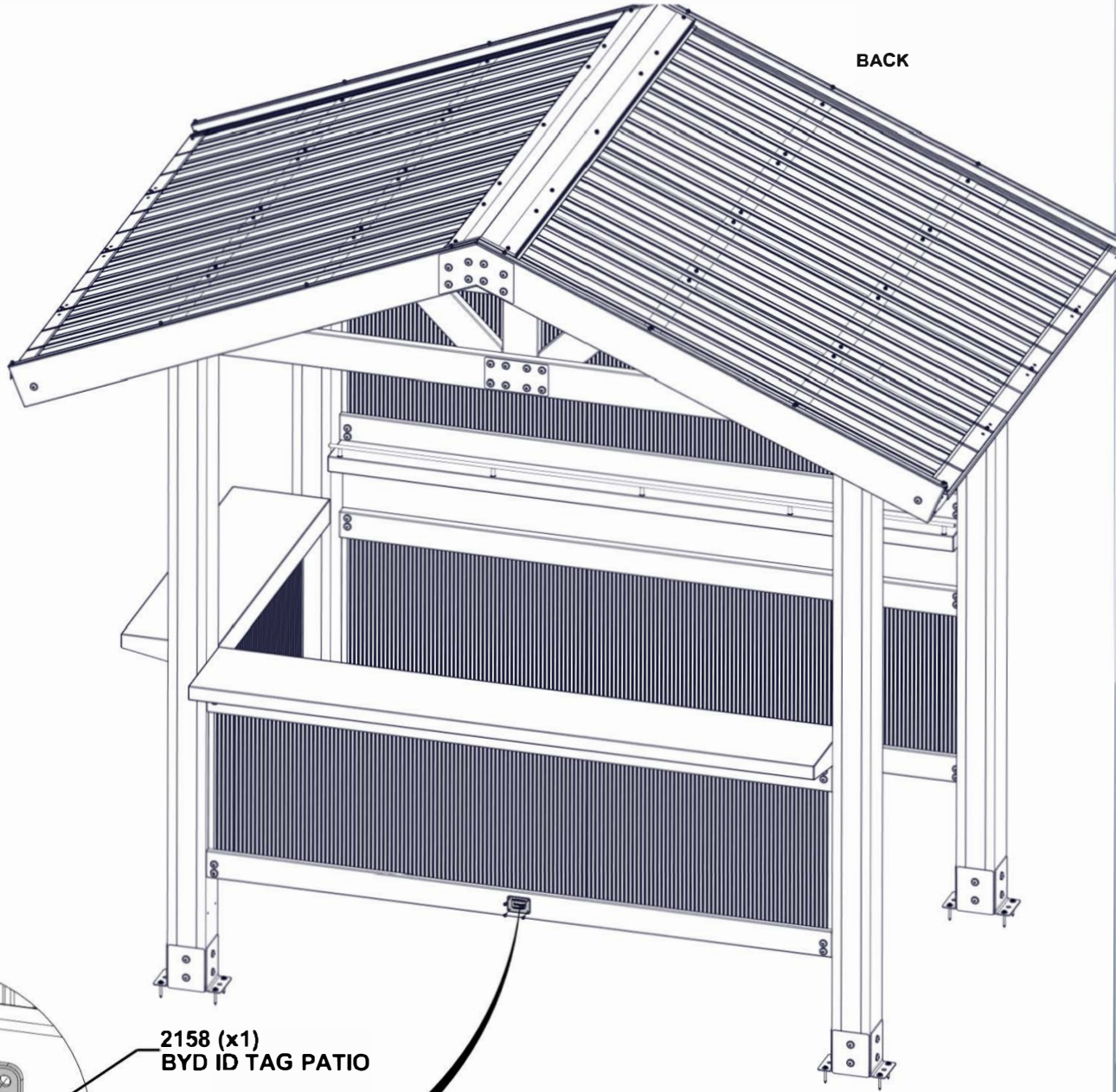
STEP 52 - OUTDOOR BAR ASSEMBLY

QTY	PART NUMBER	DESCRIPTION
4	H100202	SCREW PWH 8x5/8 BLK

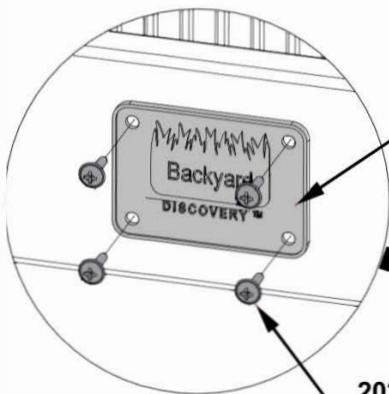


A4M02158
BYD ID TAG PATIO
(x1)

- ID TAG 2158 CAN BE ATTACHED AS SHOWN OR TO ANY OF THE FRONT POSTS.



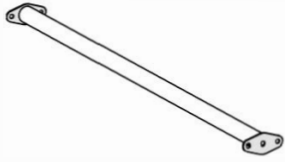
2158 (x1)
BYD ID TAG PATIO



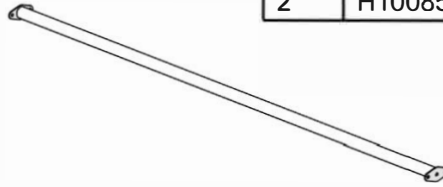
202 (x4)
SCREW - 5/8"

STEP 53 - OUTDOOR BAR ASSEMBLY

QTY	PART NUMBER	DESCRIPTION
6	H100471	LAG SCREW WH 5/16x1 1/2 BLK
2	H100854	LAG SCREW WH 5/16x1 BLK

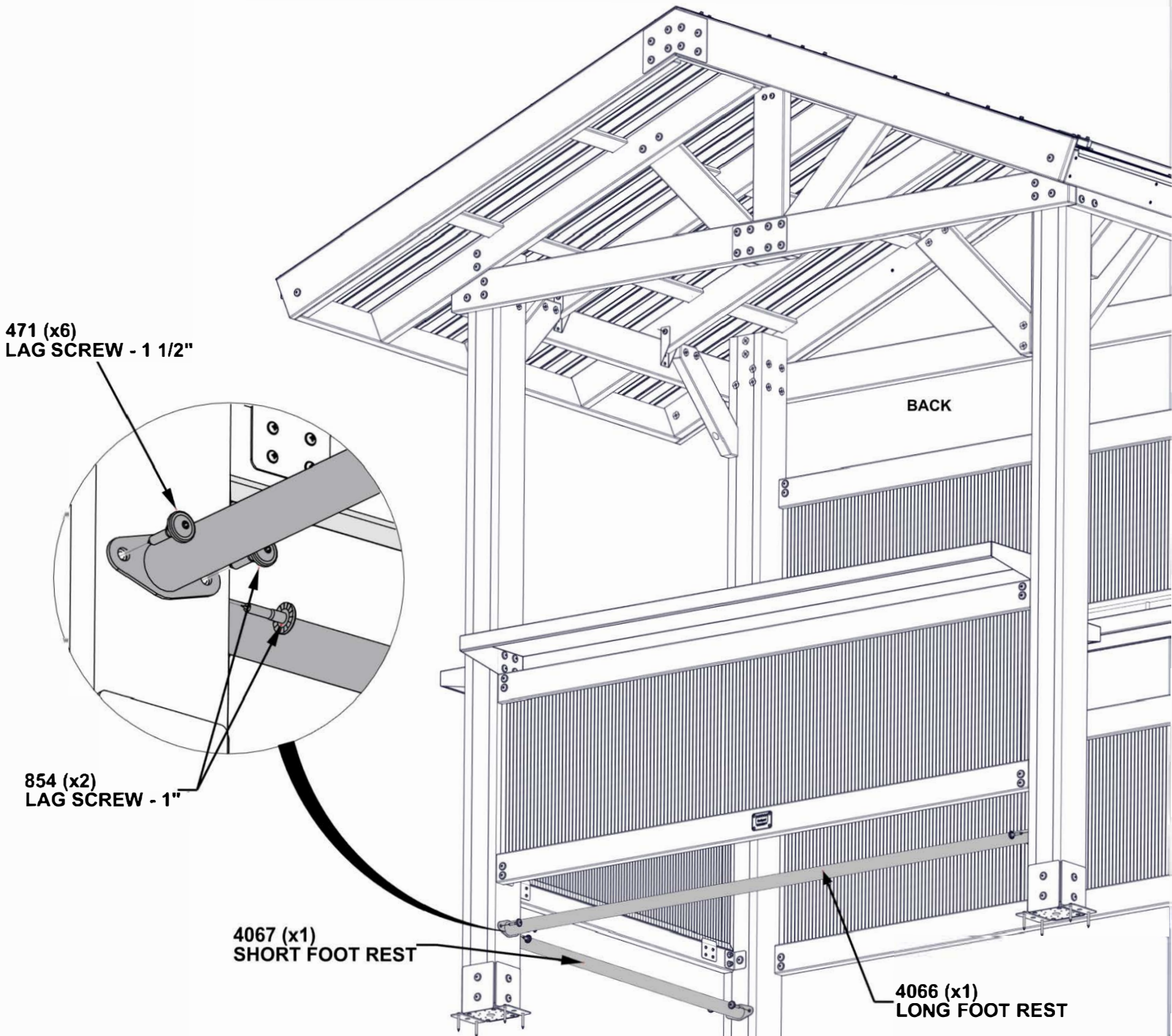


4067 SHORT FOOT REST - A4M04067
(x1)



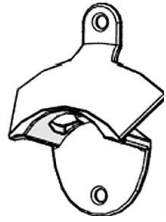
4066 LONG FOOT REST - A4M04066
(x1)

- ALIGN FOOT RESTS WITH PILOT HOLES IN POSTS.



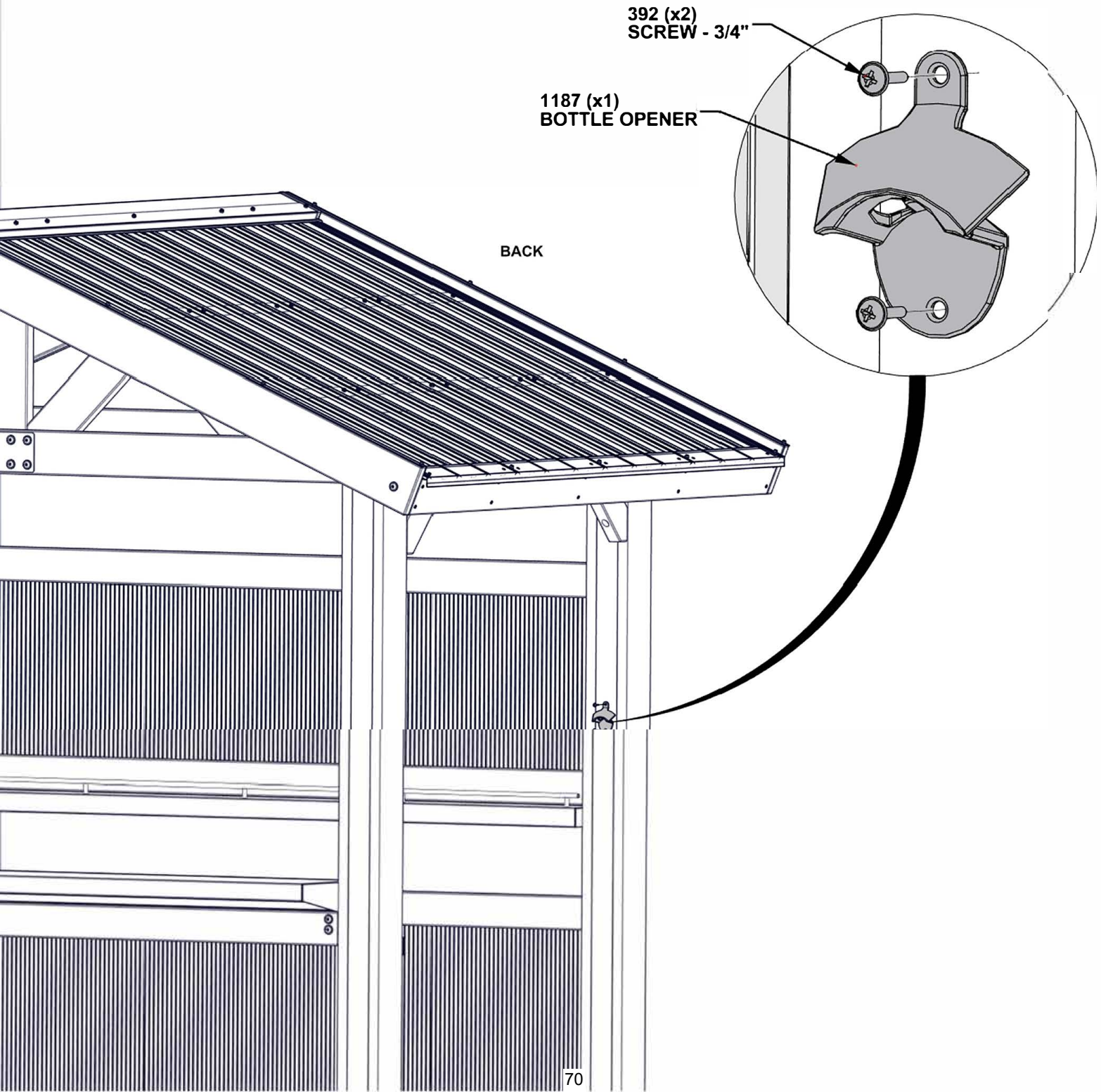
STEP 54 - OUTDOOR BAR ASSEMBLY

QTY	PART NUMBER	DESCRIPTION
2	H100392	SCREW PWH 8x3/4 BLK

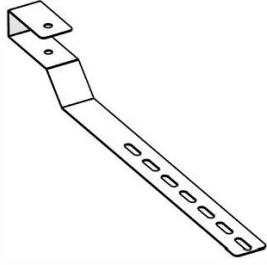


A4M01187 BOTTLE OPENER
(x1)

- FASTEN BOTTLE CAP OPENER A4M01187 ON ANY POST AND HEIGHT AS DESIRED.



STEP 55 - OUTDOOR BAR ASSEMBLY (OPTIONAL)



A4M04015 TV BRACKET
(x2)

QTY	PART NUMBER	DESCRIPTION
2	H100459	BOLT WH 5/16x1 1/4 BLK
2	H100469	NUT BARREL WH 5/16X5/8 BLK
4	H100486	BOLT WH 1/4x5/8 BLK
4	H100653	NUT LOCK 1/4 BLK
4	H101133	WASHER FLAT 7x14 BLK

- THIS STEP IS OPTIONAL.

- TV BRACKET 4015 CAN BE MOUNTED AS NEEDED TO FIT YOUR TV. TV BRACKET MAY NOT BE COMPATIBLE WITH ALL TV MOUNTS. TV MOUNT PLATE IS NOT INCLUDED.
- PLACE BRACKET OVER AL03 REAR BEAM AND USED THE HOLE AS A GUILD TO DRILL A 7/16" [10mm] THROUGH HOLE.
- AFTER HOLE HAS BEEN DRILLED, MOUNT BRACKET AS SHOWN.

1133 (x4)
WASHER - 7x14

486 (x4)
BOLT - 5/8"

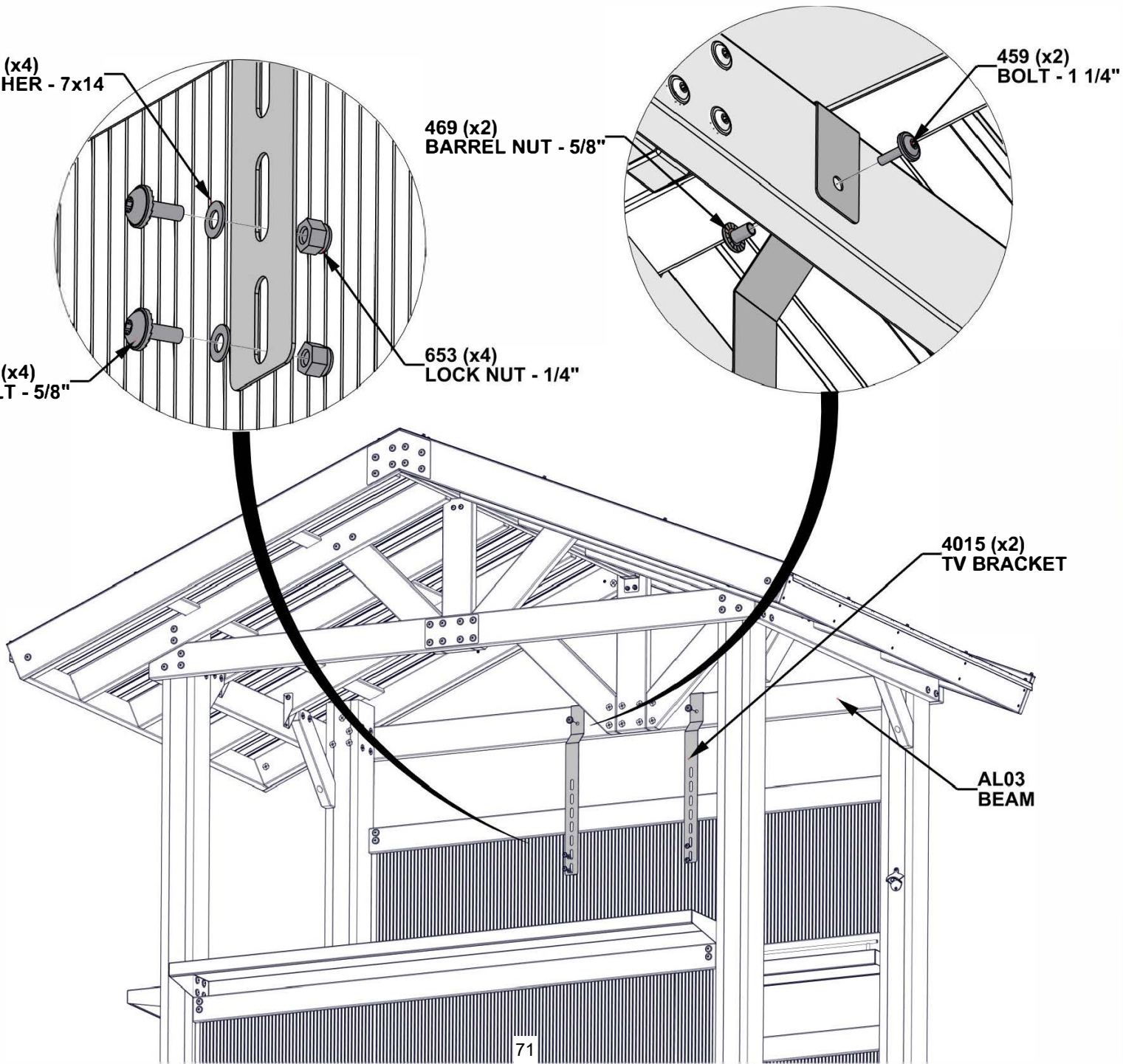
469 (x2)
BARREL NUT - 5/8"

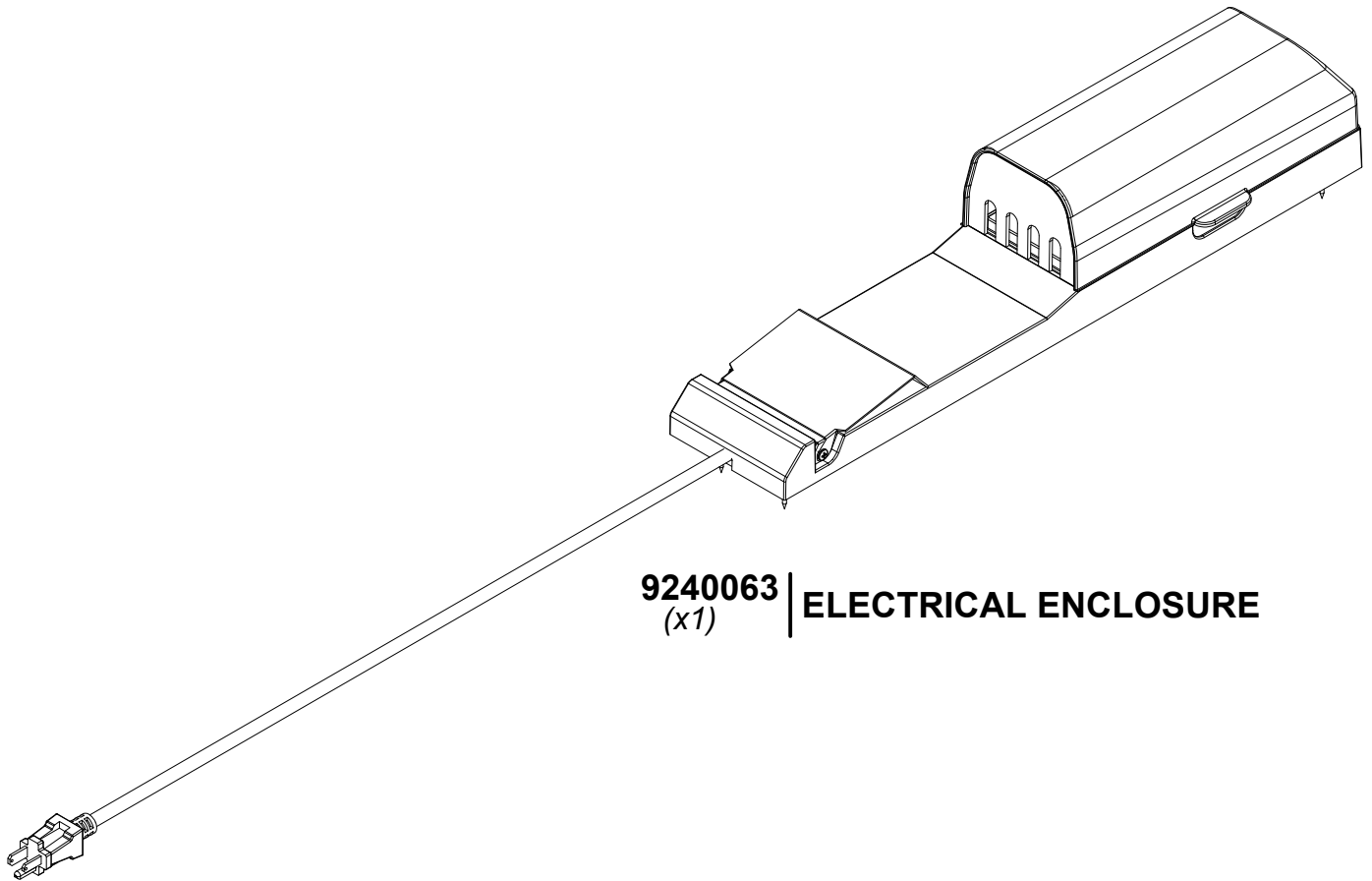
653 (x4)
LOCK NUT - 1/4"

459 (x2)
BOLT - 1 1/4"

4015 (x2)
TV BRACKET

AL03
BEAM





9240063 | **ELECTRICAL ENCLOSURE**
(x1)

FOR POWERPORT INSTALLATION REFER TO ASSEMBLY INSTRUCTIONS THAT COME PACKAGED WITH THE POWERPORT KIT. INSTALL ON ANY POST THAT IS DESIRED. FOLLOW DIRECTIONS FOR PROPER INSTALLATION.