


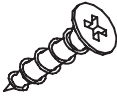
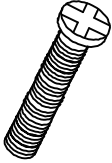
4 Tier Ladder Bookshelf



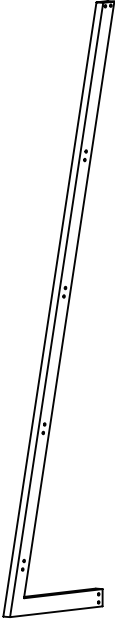
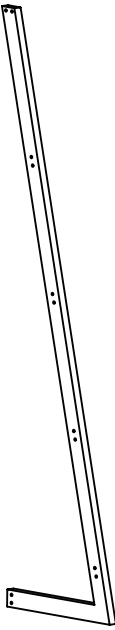
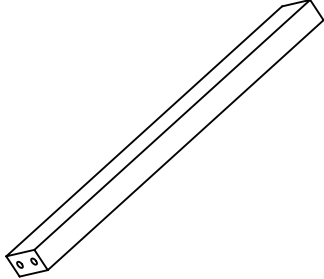
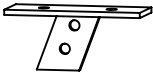
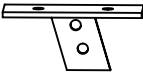
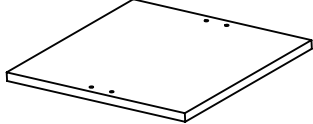
ASSEMBLY INSTRUCTIONS

We have designed our furniture with you, the customer in mind. Our clear, easy to follow, step by step instructions will guide you through the project from start to finish. Feel confident that this will be a fun and rewarding project. The final product will be a quality piece of furniture that will go together smoothly and give years of enjoyment.

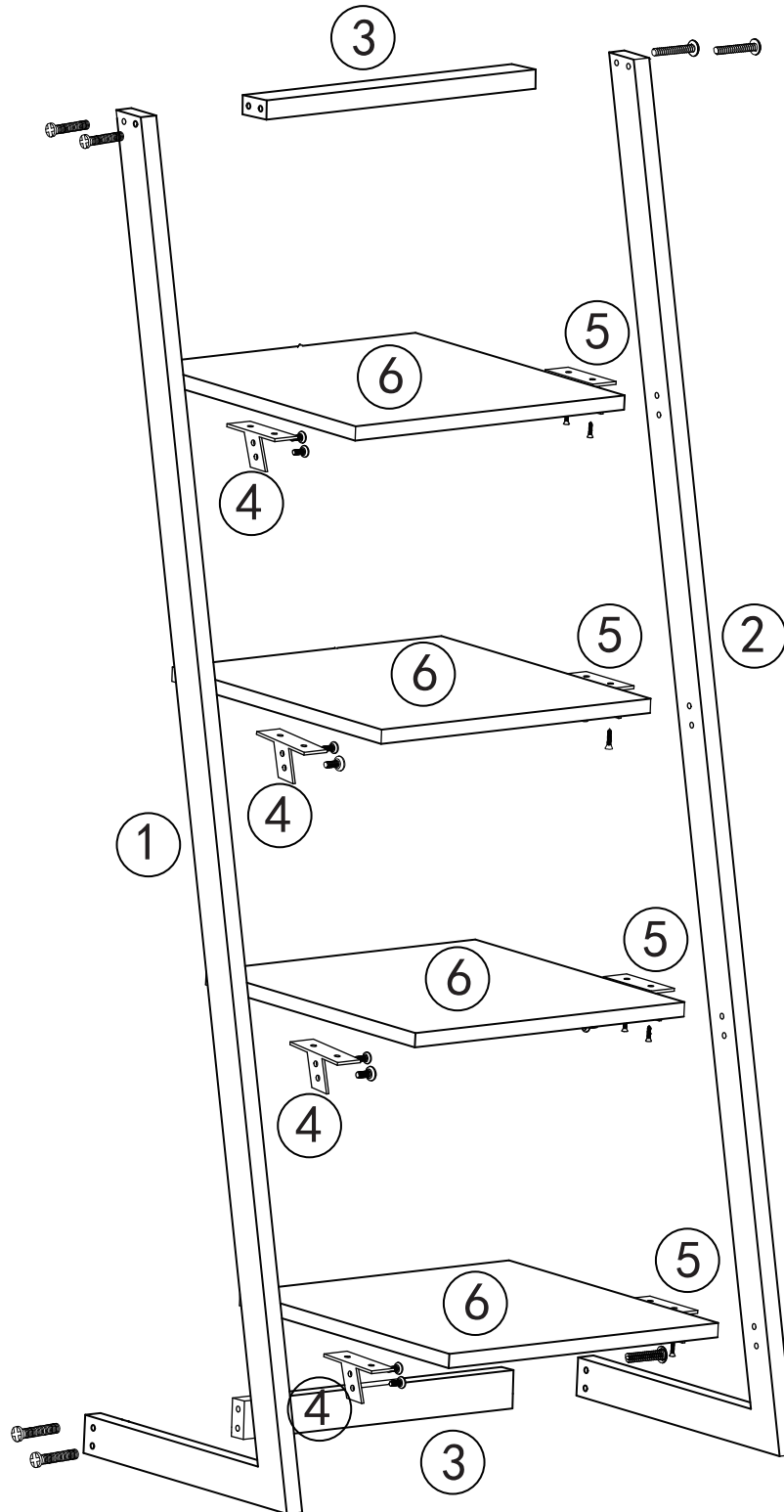
Hardware List

A 	B 	C 
Frame Screw (16pcs)	Shelf Screw (16 pcs)	Rail Screw (8 pcs)

Panel List

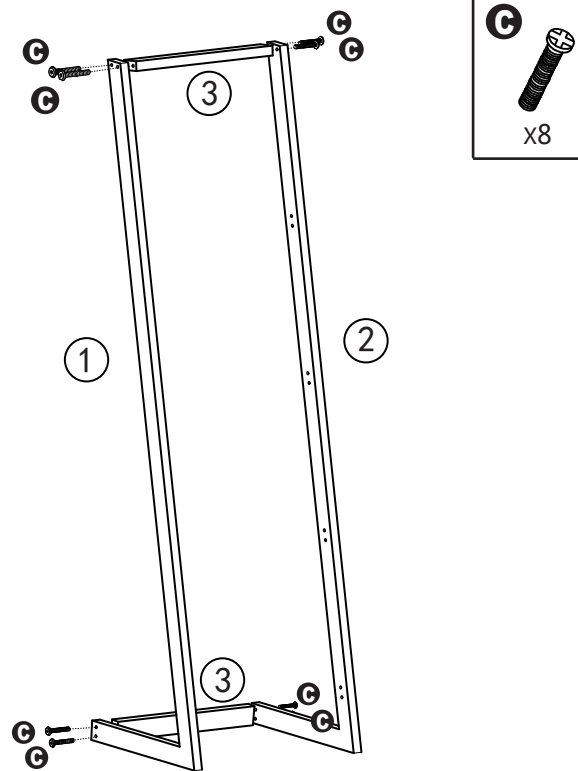
		
①	②	③
Left Leg (1pcs)	right leg (1pcs)	Connector Rail (2pcs)
		
④	⑤	⑥
Left Bracket (4pcs)	Right Bracket (4pcs)	Shelf (4pcs)

Hardware List



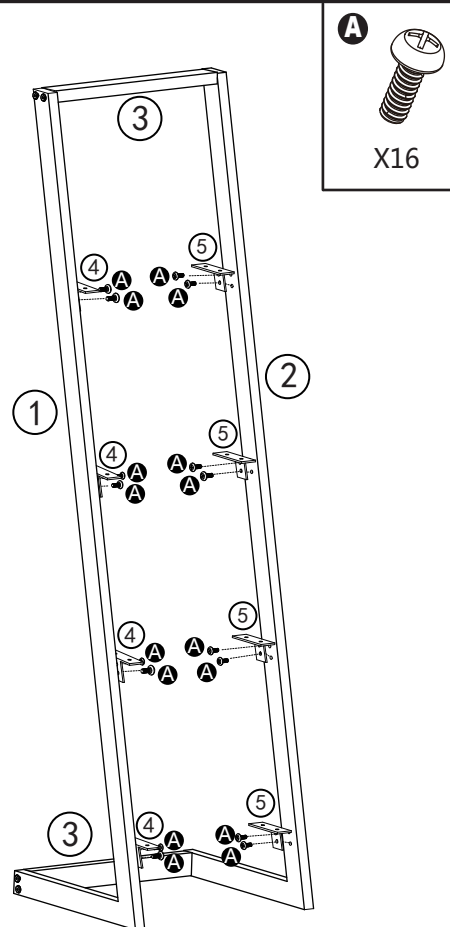
Step 1

Connect the Left Leg ① and Right Leg ② together using Rail Connector and Rail Screws ③.



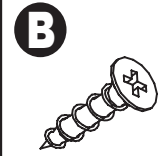
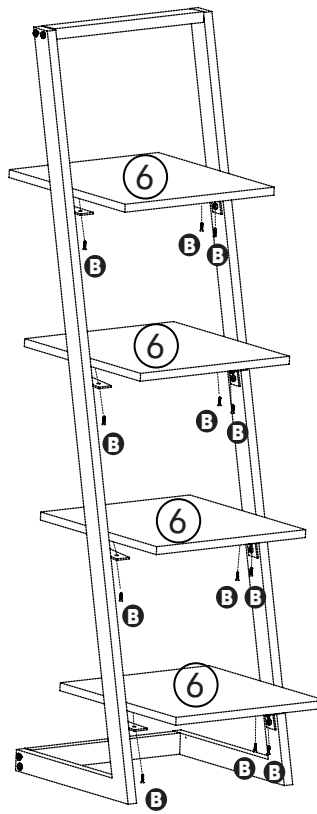
Step 2

1. Attach Left Brackets ④ to Left Leg ① using Frame Screws ⑤.
2. Attach Right Brackets ⑤ to Right Leg ② using Frame Screws ⑤.



Step 3

1. Carefully place Shelf ⑥ onto unit brackets and secure with Shelf Screws ①B.
2. Repeat step 1 for the Remaining shelves.



X16

Step 4

Enjoy your quality bookshelf!

