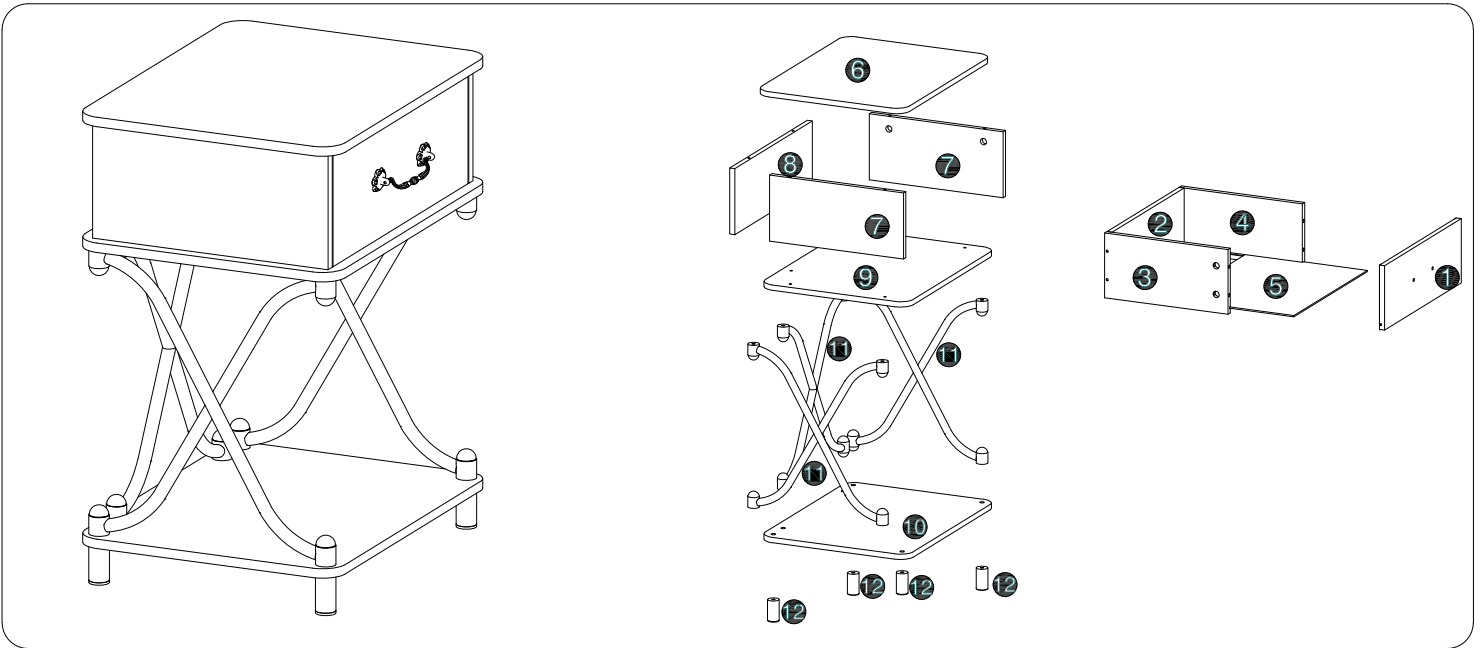


Bedside Cupboard Installation Manual



Componets

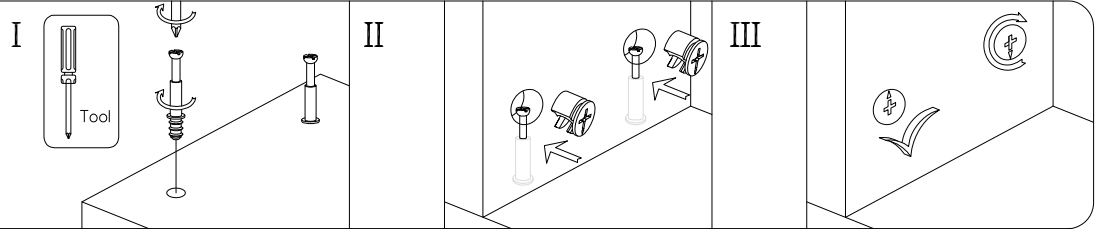
| | | | |
|--|-----------|-----------|-----|
| | 389*144mm | 1 | X 1 |
| | 365*144mm | 2 | X 1 |
| | 292*145mm | 3 | X 1 |
| | 292*145mm | 4 | X 1 |
| | 372*287mm | 5 | X 1 |
| | 450*350mm | 6 | X 1 |
| | 317*147mm | 7 | X 2 |
| | 393*147mm | 8 | X 1 |
| | 450*350mm | 9 | X 1 |
| | 450*350mm | 10 | X 1 |
| | | 11 | X 3 |
| | | 12 | X 4 |

Screws&Tolls

| | | | |
|---|--|-----------------------|-----|
| A | | | X 8 |
| B | | ø6*30mm | X 4 |
| C | | ø5*40mm | X 4 |
| D | | ø4*35mm | X 4 |
| E | | ø3.5*10mm | X 2 |
| F | | | X 1 |
| G | | | X 1 |
| H | | M4*12mm | X 2 |
| I | | M6*15mm | X 6 |
| J | | M8*25mm | X 2 |
| K | | M8*40mm | X 4 |
| L | | | X 6 |
| M | | 3mm 4mm 5mm | X 1 |

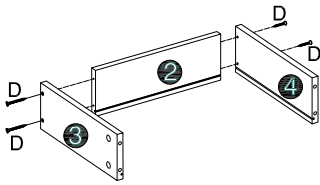
Check all the components & screws before assembly.

"A" Hardware installation example

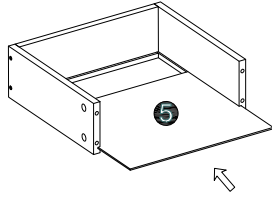


1 StepA: Drawer assembly

Dx4

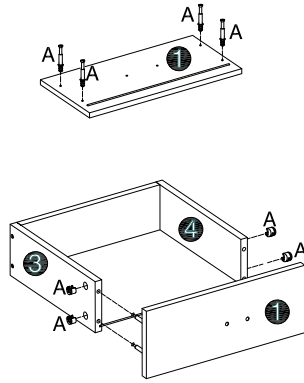


2



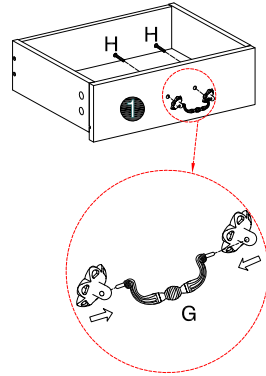
3

Ax4



4

Gx1
 Hx2

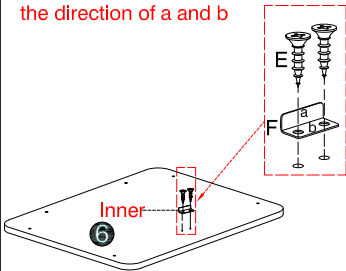


5

StepB: Body assembly

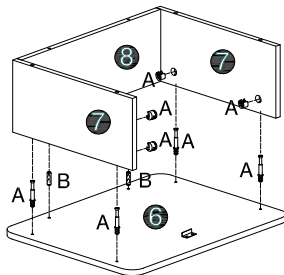
Tips:
When in stall F, please notice the direction of a and b

Ex2
 Fx1

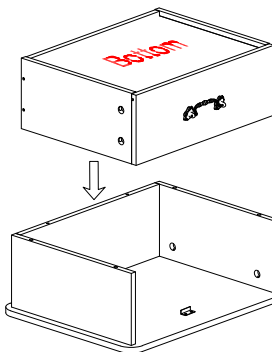


6

Ax4
 Bx2

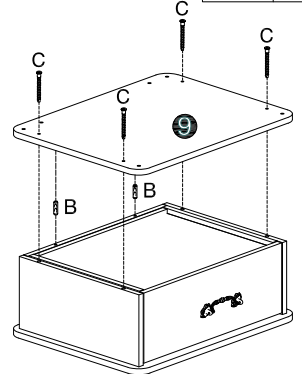


7



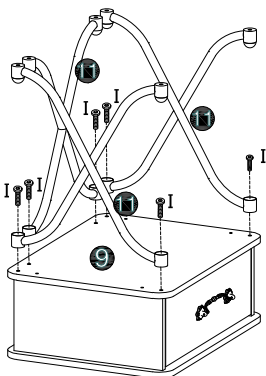
8

Bx2
 Cx4



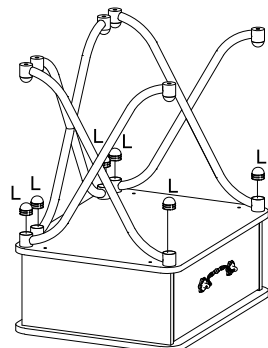
9

M6*15mm
Ix6



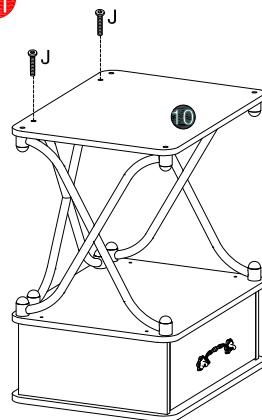
10

Lx6



11

M8*25mm
Jx2



12

M8*40mm
Kx4

