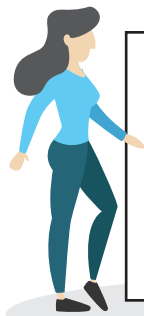
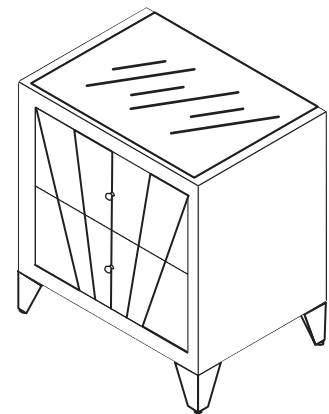


# NIGHT STAND

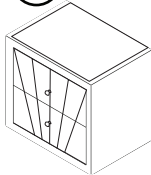


- Please keep instructions for future reference.
- Check the quantity and irregularity of parts and hardware before you start.



## PARTS

#1 1pc



Night Stand

#2 4pcs



Leg

#3 1pc



Glass Top

## HARDWARE

#A 1pc



Allen Key With Ball

#B 4pcs



JCBC Bolt M6 x 30mm

#C 8pcs



CSK Screw M4 x 20mm

#D 4pcs



Spring Washer M6

#E 8pcs



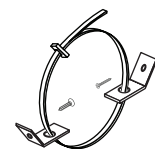
Flat Washer Small M6 x 13mm x 1.0

#F 4pcs



Flat Washer Medium M7 x 19 x 2.0

#G 1pc



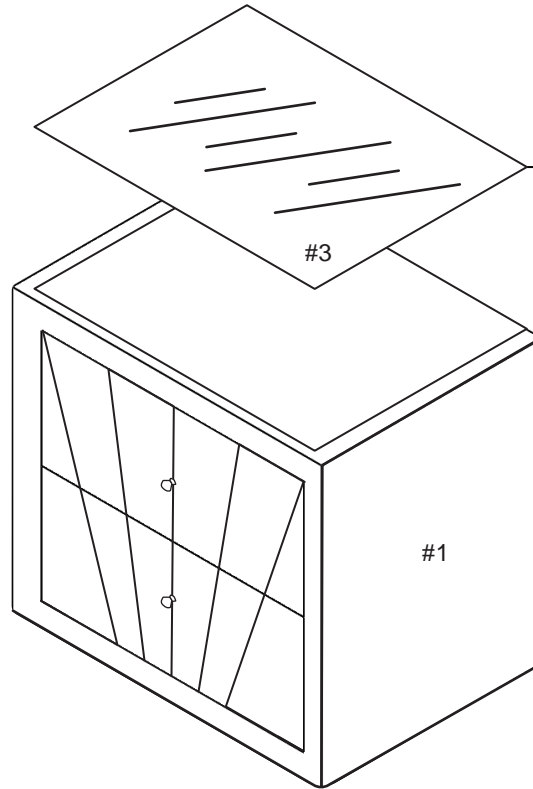
Anti-Tipping Hardware Kit

# ASSEMBLY INSTRUCTIONS

# 1

Part #1 x1pc

Part #3 x1pc



Lift the Glass-Top #3 gently and carefully place it at safe before assembly begin.

# 2

Part #1 x1pc

Part #2 x4pcs

Hardware #A x1pc

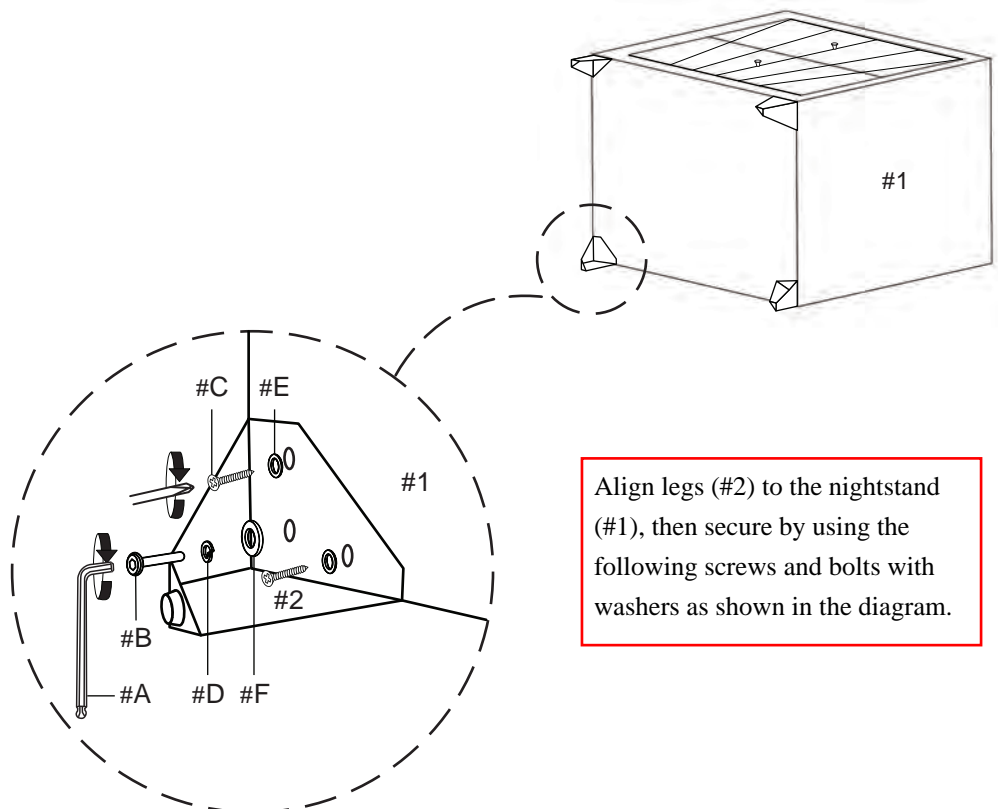
Hardware #B x4pcs

Hardware #C x8pcs

Hardware #D x4pcs

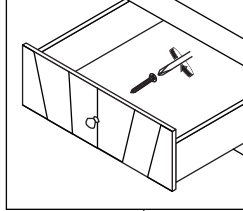
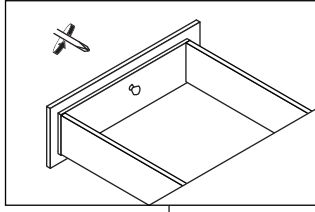
Hardware #E x8pcs

Hardware #F x4pcs

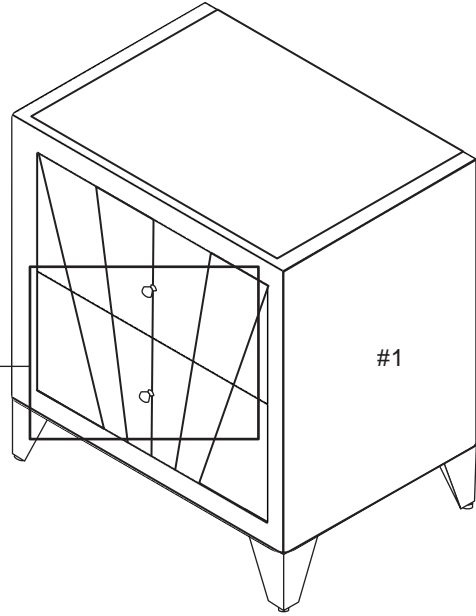


Align legs (#2) to the nightstand (#1), then secure by using the following screws and bolts with washers as shown in the diagram.

# 3

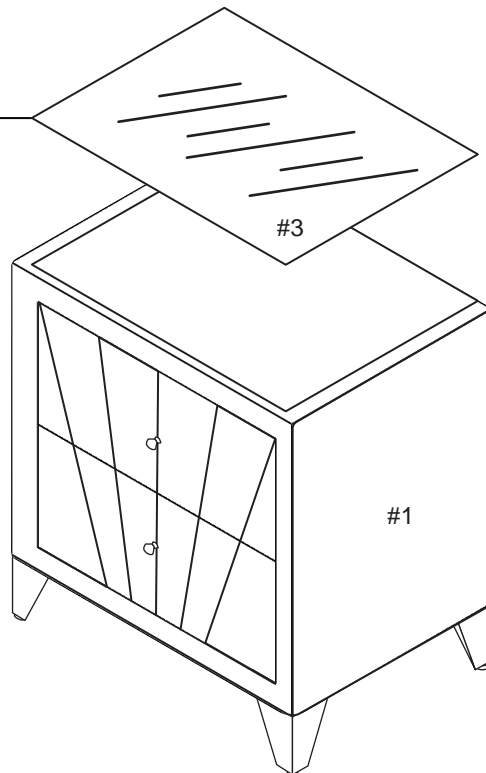


Secure knobs to the exterior of the drawer.

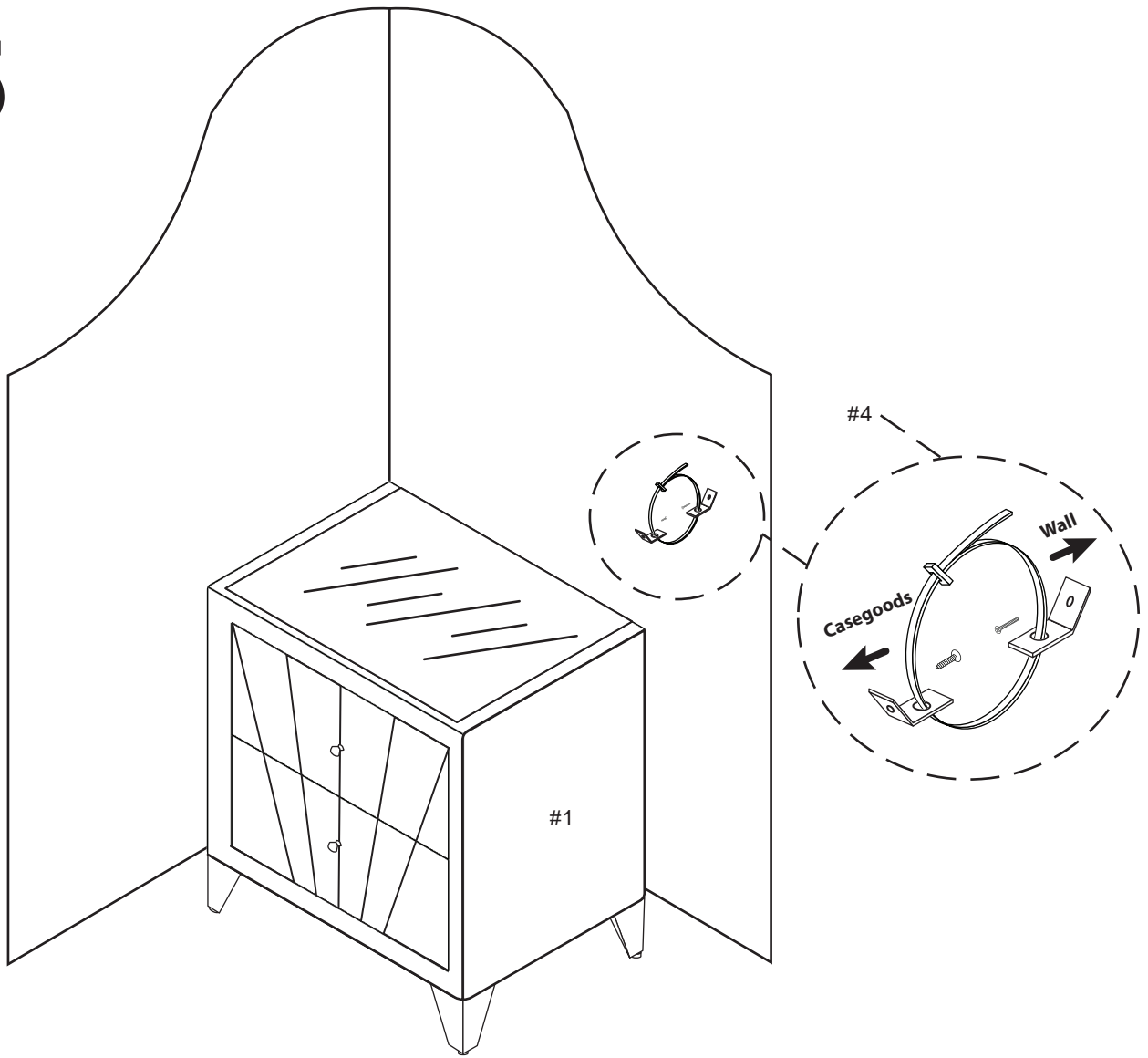


# 4

Place the Glass-Top #3 back to the top surface of Night Stand #1.



# 5



## ASSEMBLY COMPLETED



Please ensure the furniture rests on an even and flat surface. If the product wobbles or feels loose, double-check all bolts and/or screws are properly tightened and secured.



### Keep this handy!

Please retain this instruction manual and any order-related information for future reference.



### Lift, don't drag!

To avoid damage to product please always LIFT the product when transporting or adjusting the placement.