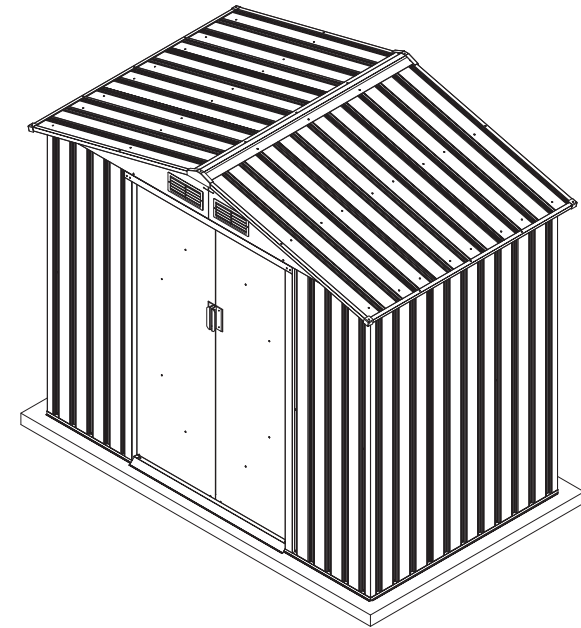


User Manual

Instruction for Assembly 4.2' * 7' Metal Shed

JAXPETY



Scan ! To find more surprise!

Assembly Preparation

Owner's Manual

Please check local building codes regarding footings, location and other requirements before beginning construction.

Assembly instructions:

Reviewing all instructions and the appropriate information before you begin, make sure following the step sequence carefully for successful results.

Flooring base:

A good location for the storage building is a square and level area with good drainage. The base is not included in the kit which may need purchase separately or may construct a foundation and anchoring system of your own.

A strong plastic sheet (thickness: at least 150µm) should be placed under the foundation to assist in reducing rising dampness from the soil, thus reducing condensation build up in the shed. Your storage building must be anchored to prevent wind damage. Once secured, it is highly recommended applying silicone along the inside of the base rail to minimize condensation.

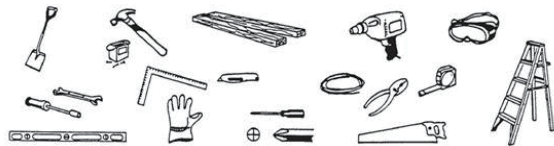
Parts and Parts List:

Before you start, separate and identify all the parts and hardware to be sure that you have all the necessary parts for your building (refer to the Parts List Page).

If you find that a part is missing, please notify the seller within one week after receiving the product. Do not attempt to assemble the building if parts are missing because any building left partially assembled may be seriously damaged by light winds.

Tools you need:

(Please tear off the safety protection layer before the assembly, keep the part number label if needed)



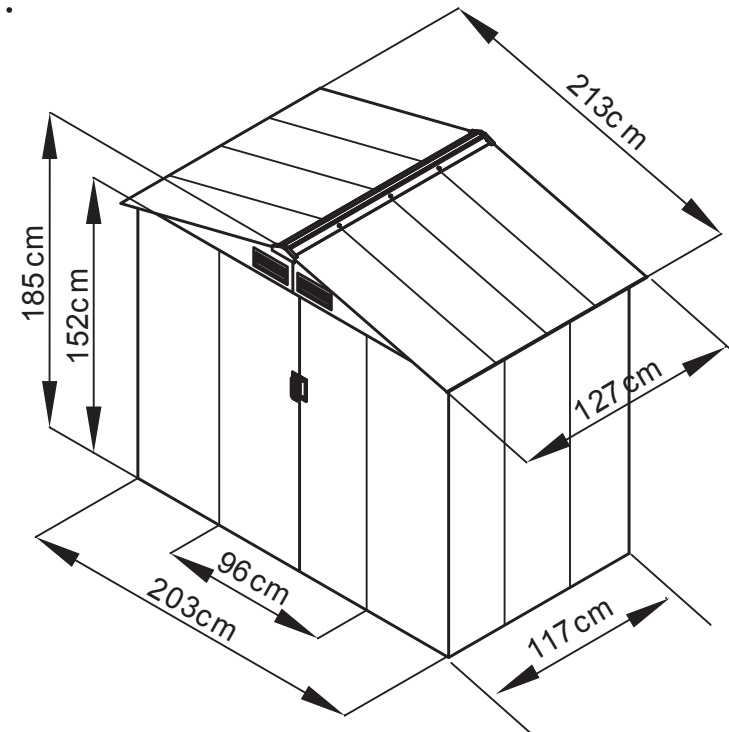
Safety must be put in the No. 1 position:

1. Select a dry and calm day for your assembly. Team works (Two or more people) are required during the assembly. It is also recommended to finish the assembly in a day to avoid damage to the product or missing of some small parts.
2. Wearing safety gloves, eye protection and long sleeves during the assembly to prevent injury. Pay attention to the sharp edge of some parts.
3. Children and pets are not allowed entering into the construction site.
4. Never concentrate your total weight on the roof of the building.
When using a step ladder make sure that it is safe.

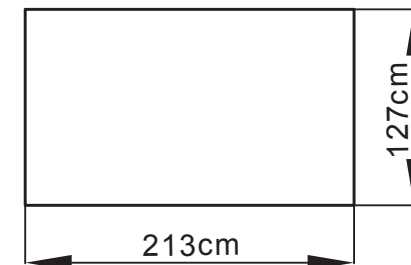
Care & Maintenance:

1. Keep the shed clean with soft cloth, use water if necessary.
2. Keep the door tracks clear of dirt and other stuff that prevent them from sliding easily.
3. Clean the snow with necessary tools to make sure it is safe to enter into.
4. The shed is not made for living but storing stuff.
5. Please add some oil on the top and bottom door sliding channel to make door slides smoothly.

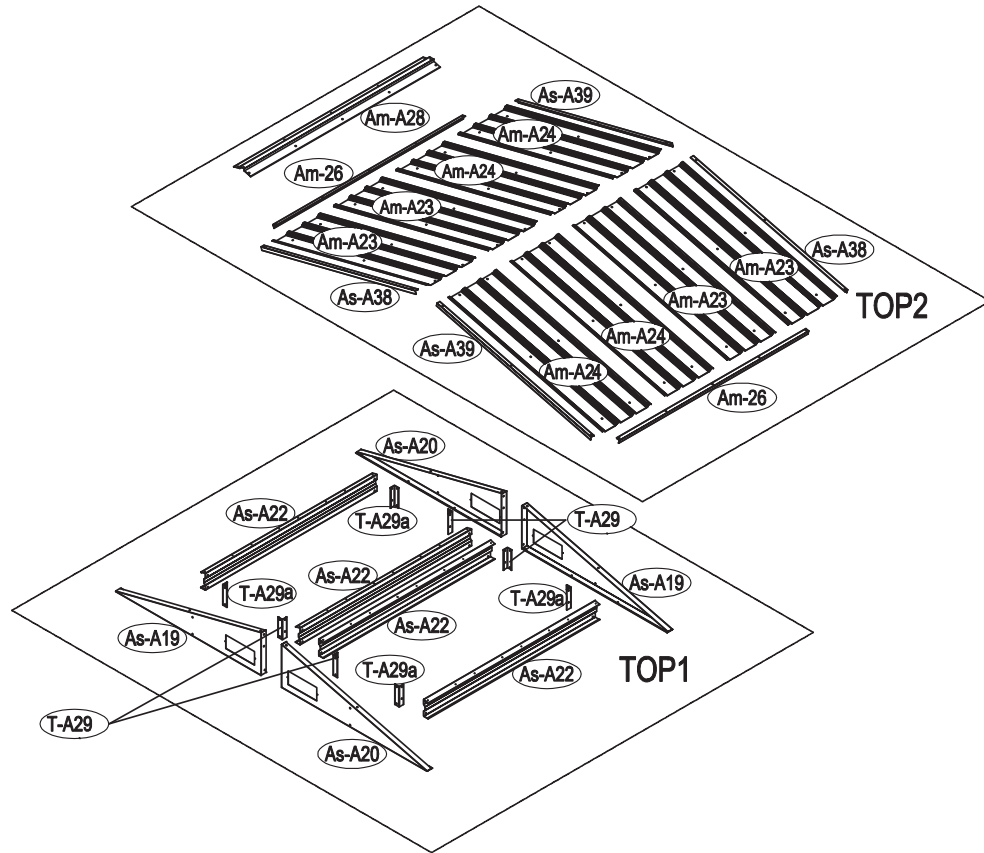
Size :



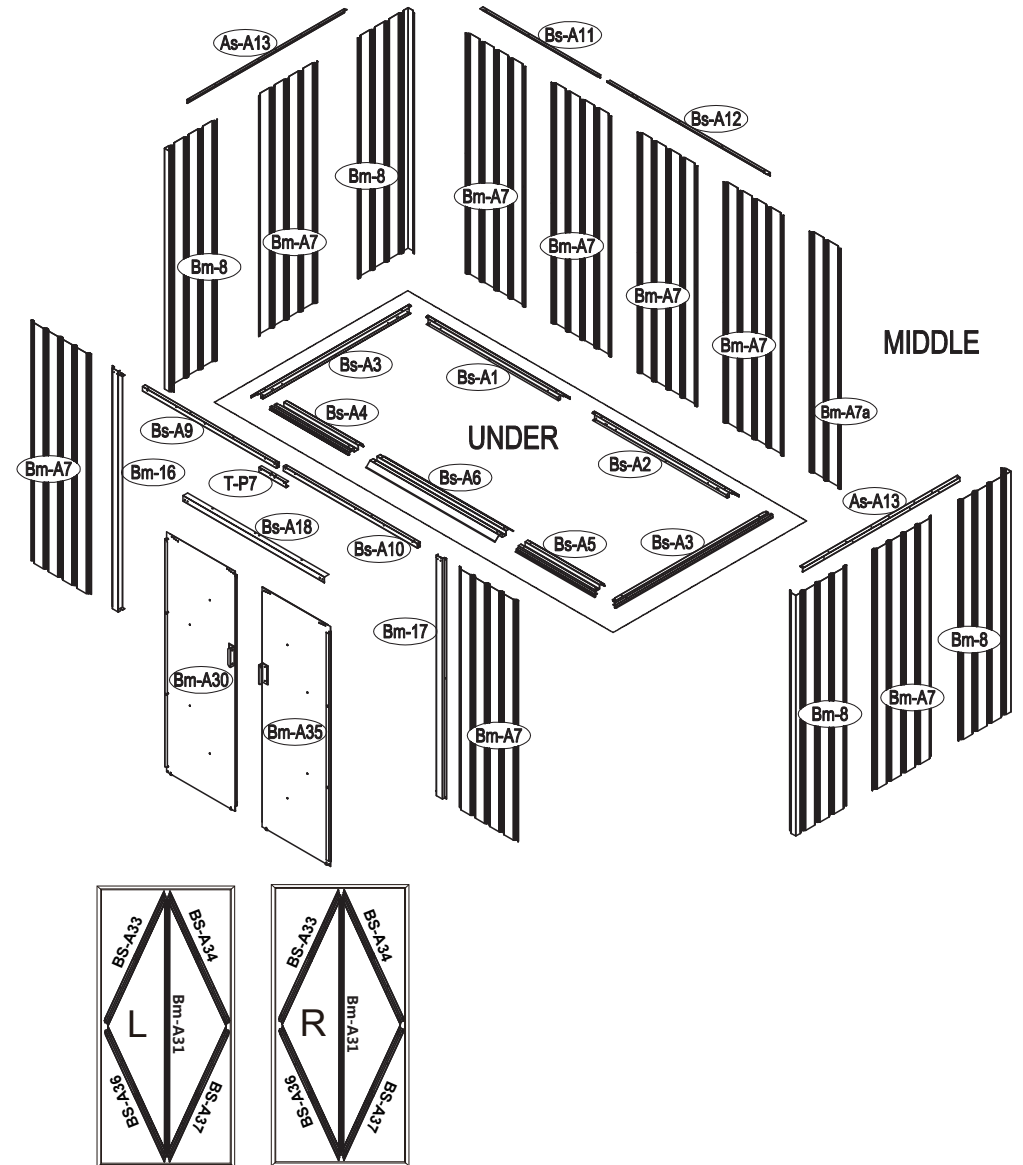
Area of installation requirement:



PRODUCT ASSEMBLY



PRODUCT ASSEMBLY



Hardware List

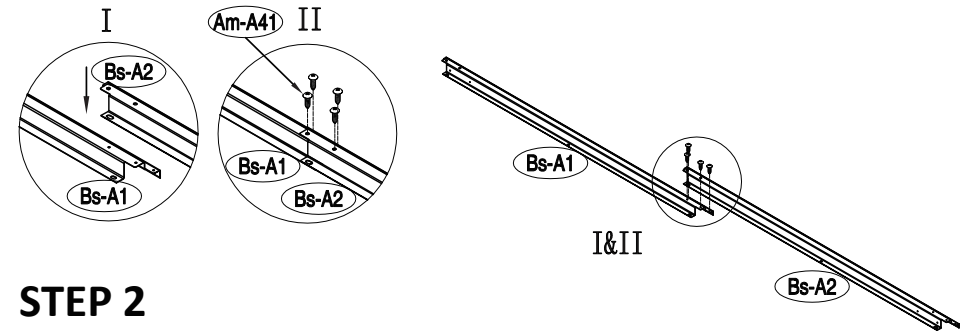
NO.	IMAGE	mm	QTY	Box No.
UNDER				
Bs-A1		1048	x1	2/2
Bs-A2		1054	x1	2/2
Bs-A3		1166	x2	2/2
Bs-A4		614	x1	2/2
Bs-A5		614	x1	2/2
Bs-A6		916	x1	2/2
MIDDLE				
Bm-A7		1550	x8	1/2
Bm-A7a		1550	x1	1/2
Bm-8		1550	x4	2/2
Bs-A9		986	x1	2/2
Bs-A10		986	x1	2/2
Bs-A11		1006	x1	2/2
Bs-A12		1006	x1	2/2
As-A13		1166	x2	2/2
Bm-16		1550	x1	2/2
Bm-17		1550	x1	2/2
Bs-A18		1078	x1	2/2

NO.	IMAGE	mm	QTY	Box No.
TOP1				
As-A19		1001	x2	2/2
As-A20		1001	x2	2/2
As-A22		1166	x4	2/2
T-A29		175	x4	2/2
T-A29a		140	x4	2/2
TOP2				
Am-A23		1106	x4	1/2
Am-A24		1106	x4	1/2
Am-26		1280	x2	2/2
As-A38		1106	x2	2/2
As-A39		1106	x2	2/2
Am-A28		1280	x1	1/2
DOOR				
Bm-A30		1538	x1	2/2

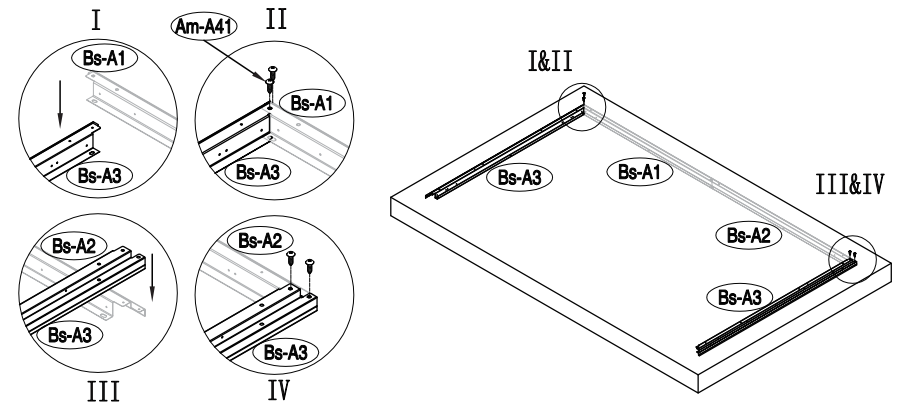
NO.	IMAGE	mm	QTY	Box No.
Bm-A35		1538	x1	2/2
Bm-A31		1534	x2	2/2
Bm-A32		495	x4	2/2
Bs-A33		424	x2	2/2
Bs-A34		424	x2	2/2
Bs-A36		1130	x2	2/2
Bs-A37		1130	x2	2/2
ANNEX				
T-P1			x4	2/2
T-P2			x4	2/2
T-P3			x4	2/2
T-P4			x2	2/2
TP5A			x4	2/2
T-P6			x2	2/2
T-P7		150	x1	2/2
Am-A40			x154	2/2
Am-A41		ST4X10	x230	2/2
Am-A42		ST5X16	x8	2/2
Am-A43		M4X10	x88	2/2
Am-A44			x92	2/2
V-A1		1018	x4	2/2
V-A2		751	x4	2/2

Check the package contents before getting started !

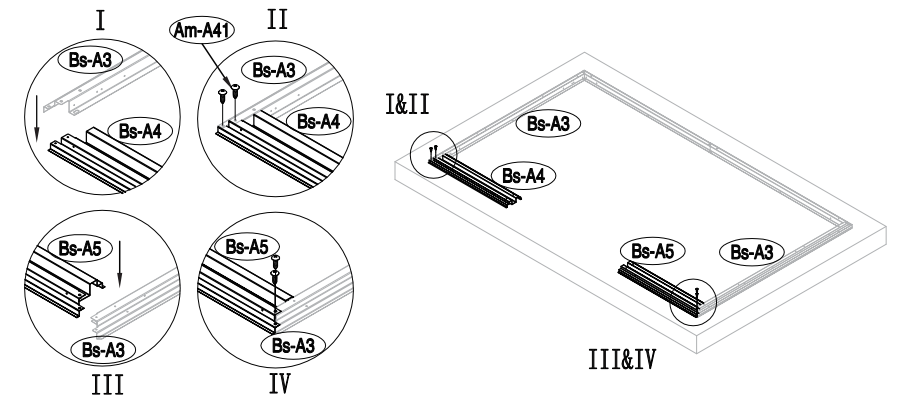
STEP 1



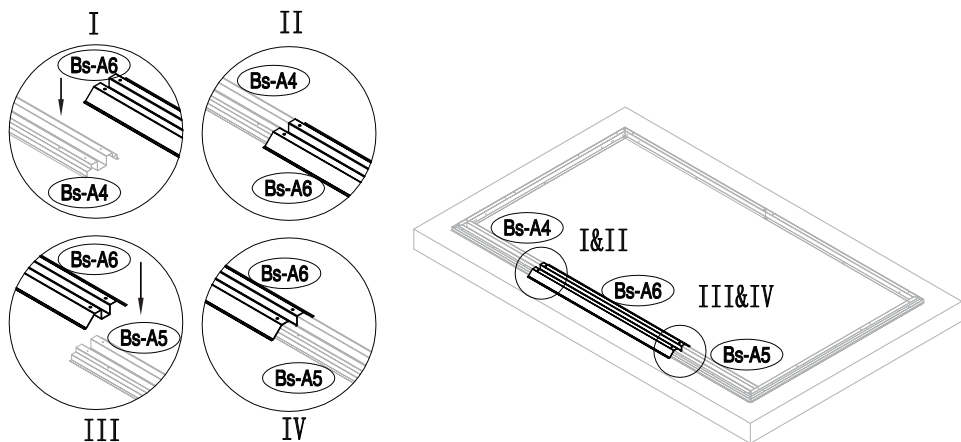
STEP 2



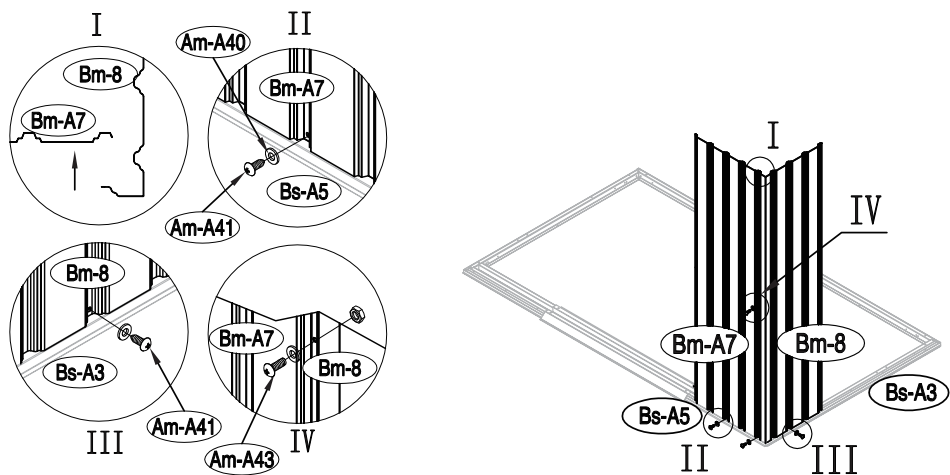
STEP 3



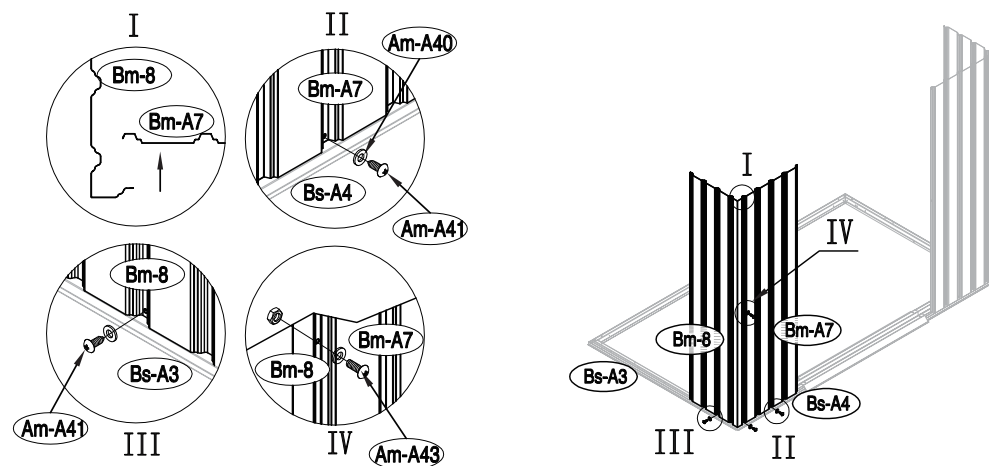
STEP 4



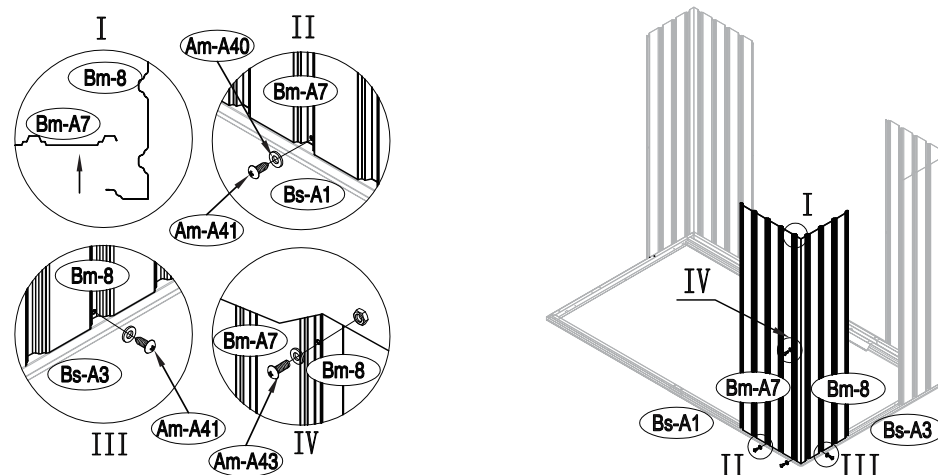
STEP 5



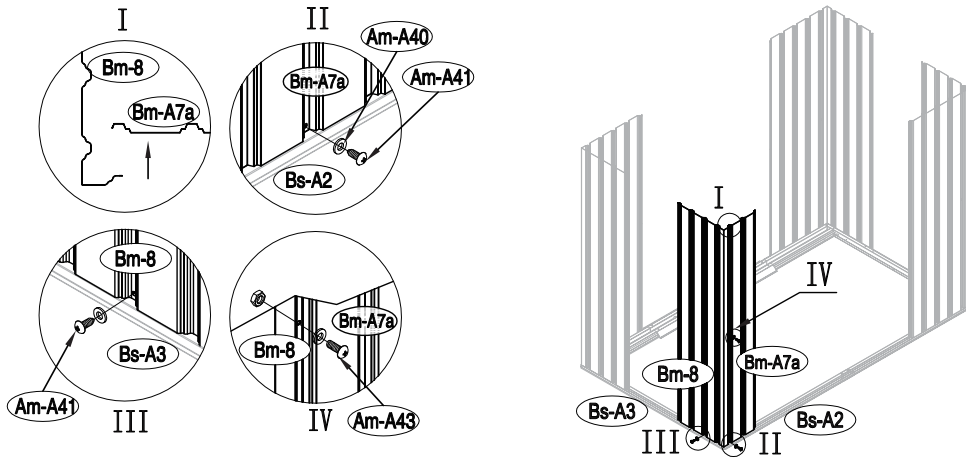
STEP 6



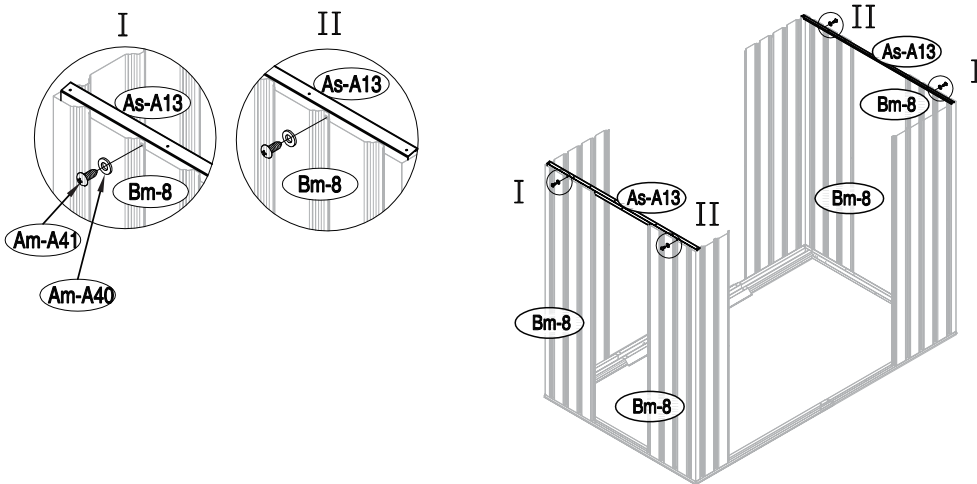
STEP 7



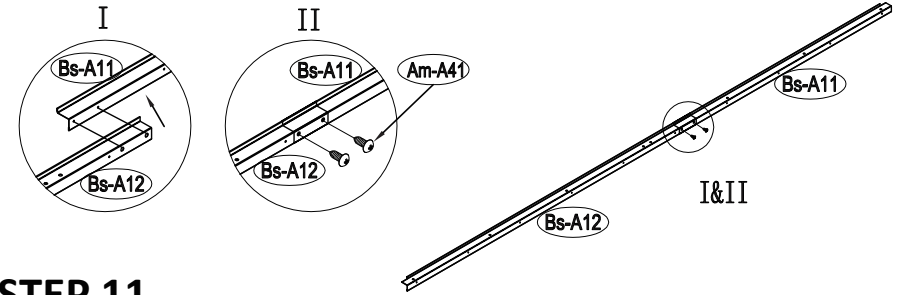
STEP 8



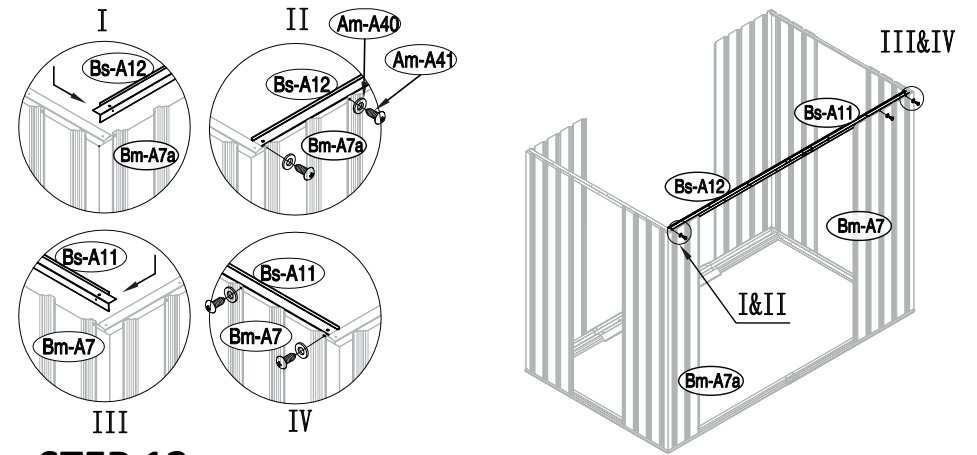
STEP 9



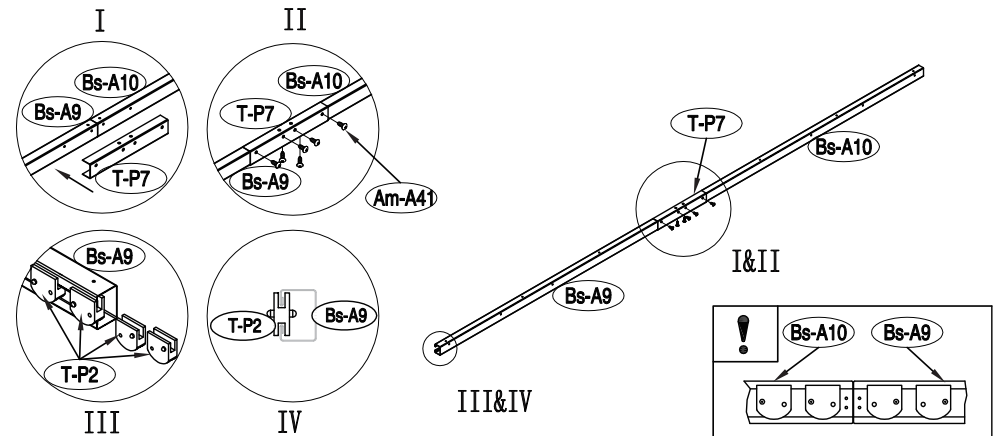
STEP 10



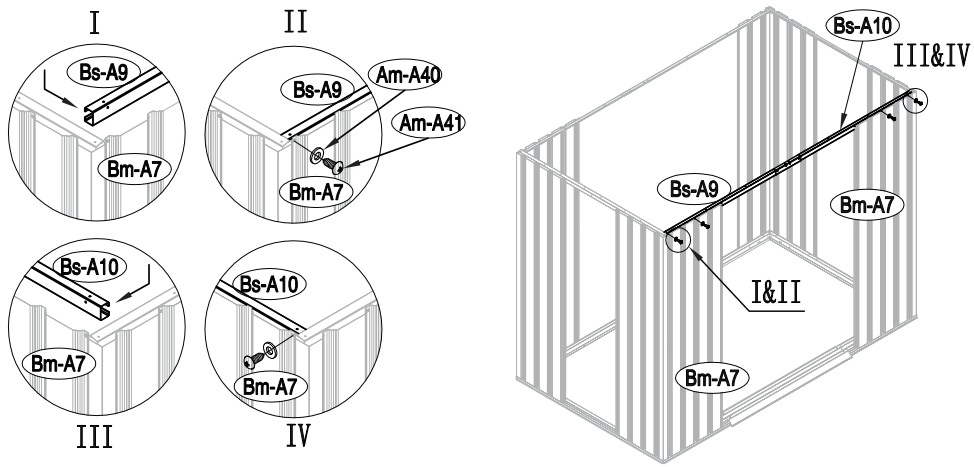
STEP 11



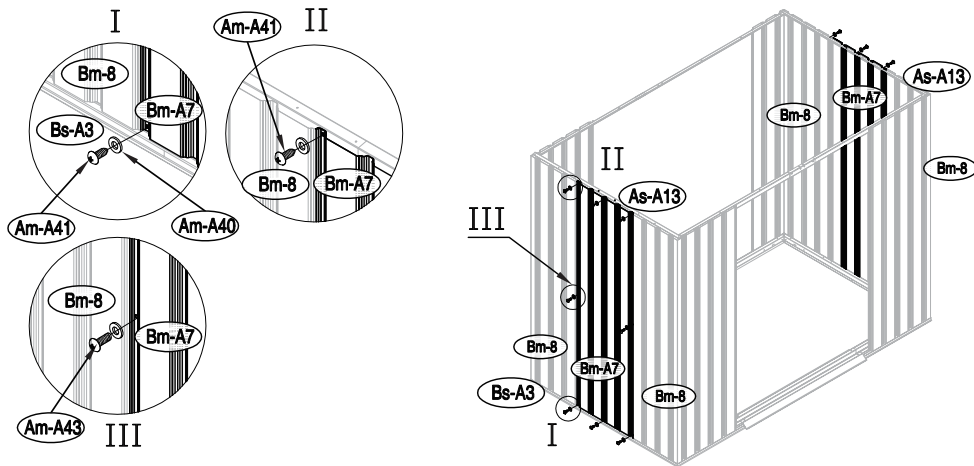
STEP 12



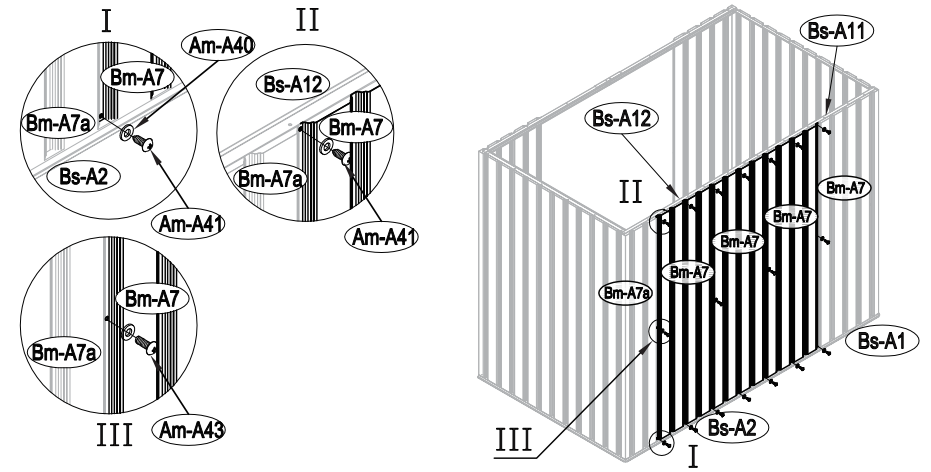
STEP 13



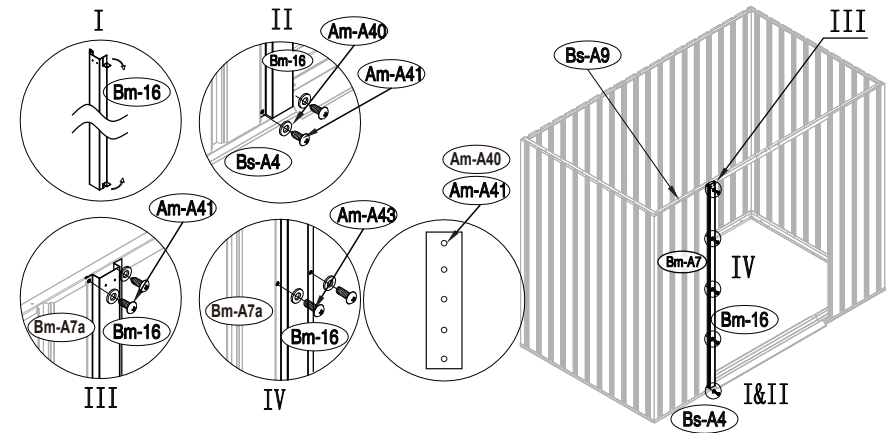
STEP 14



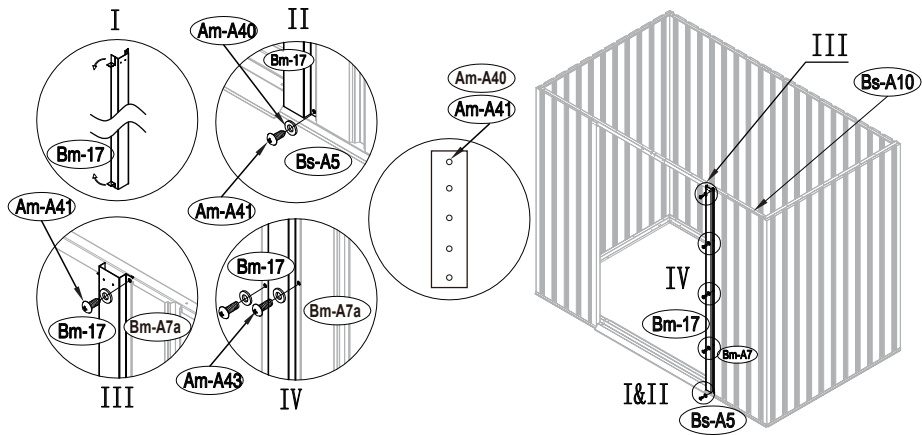
STEP 15



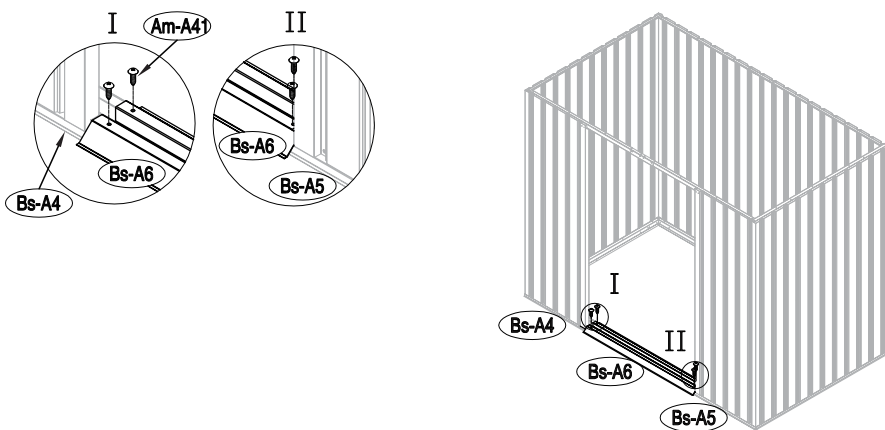
STEP 16



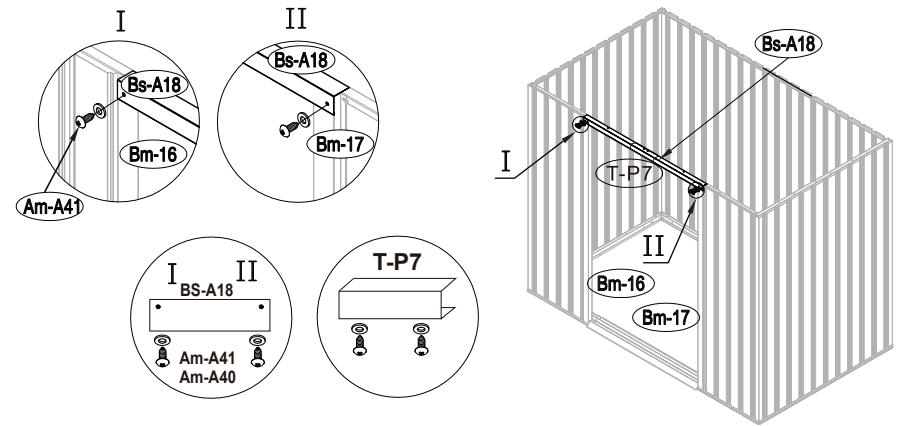
STEP 17



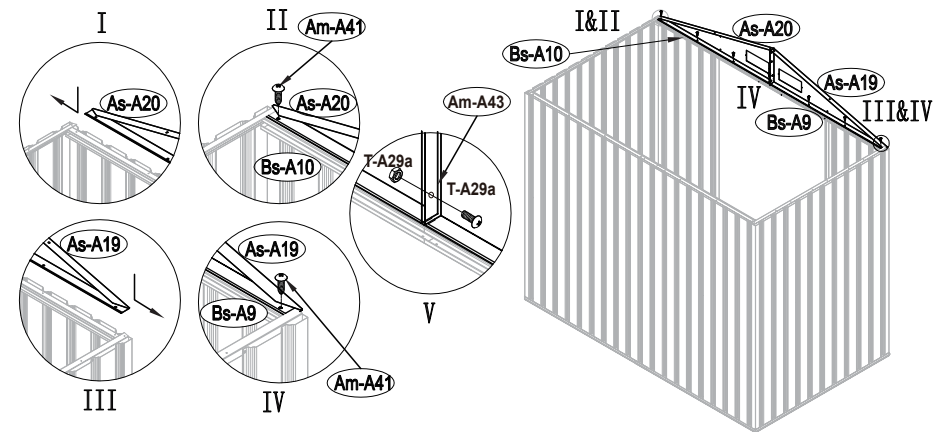
STEP 18



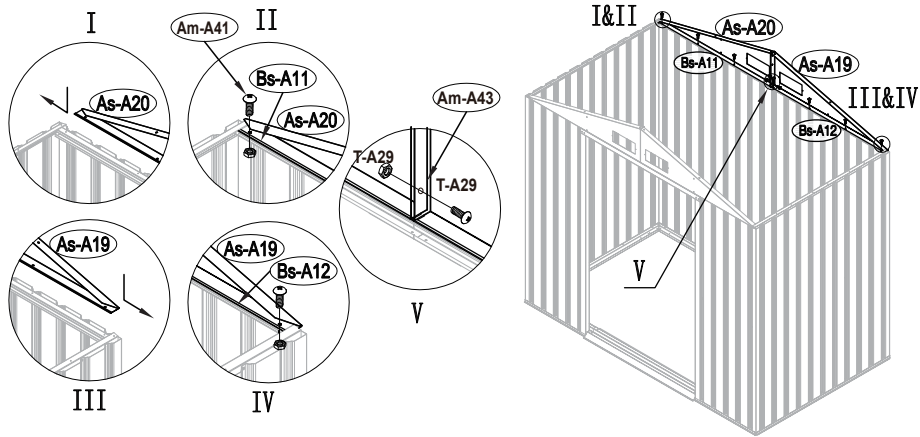
STEP 19



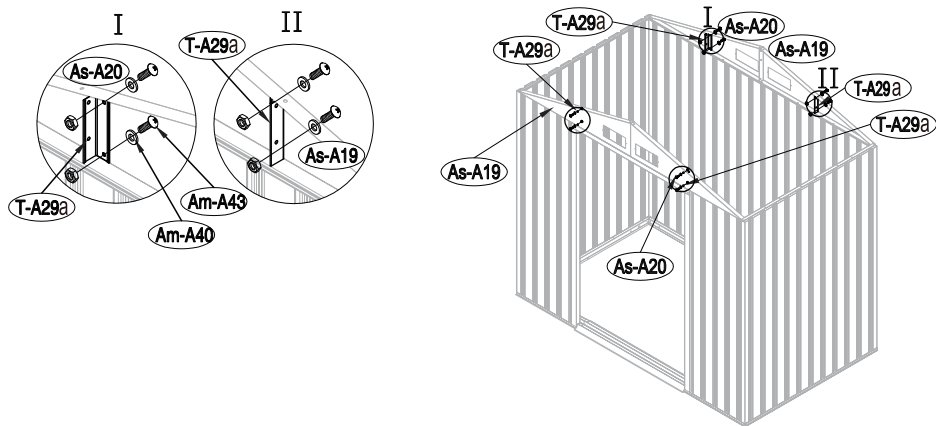
STEP 20



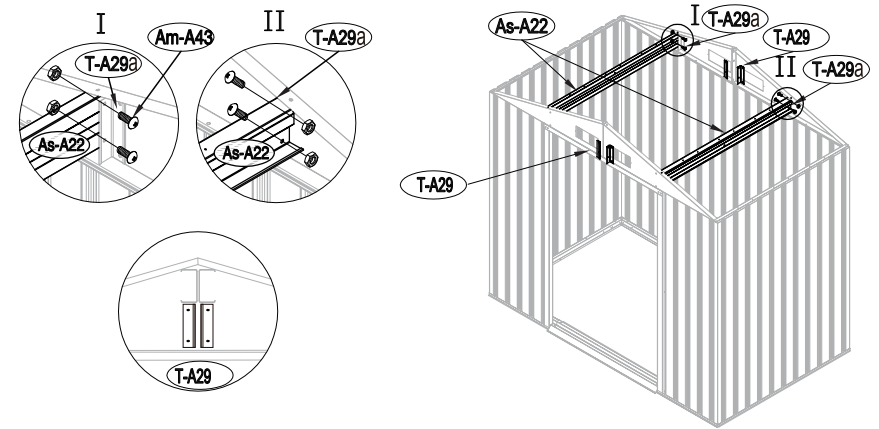
STEP 21



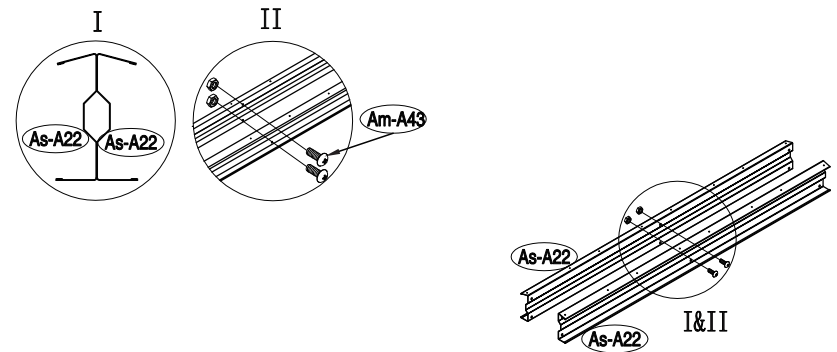
STEP 22



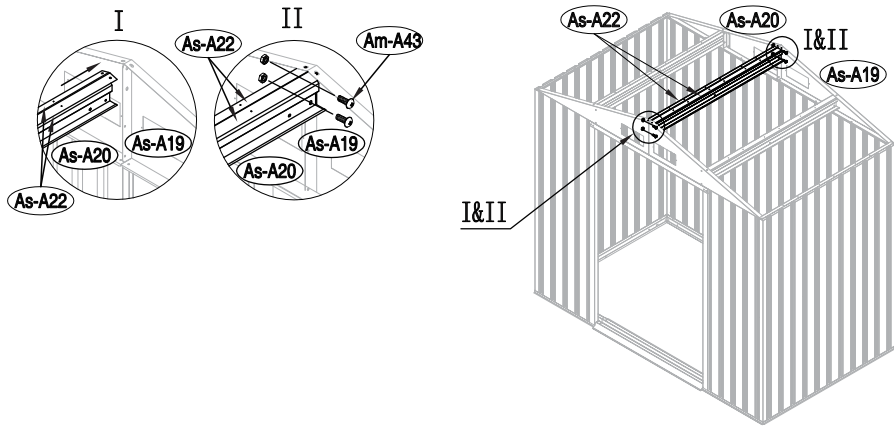
STEP 23



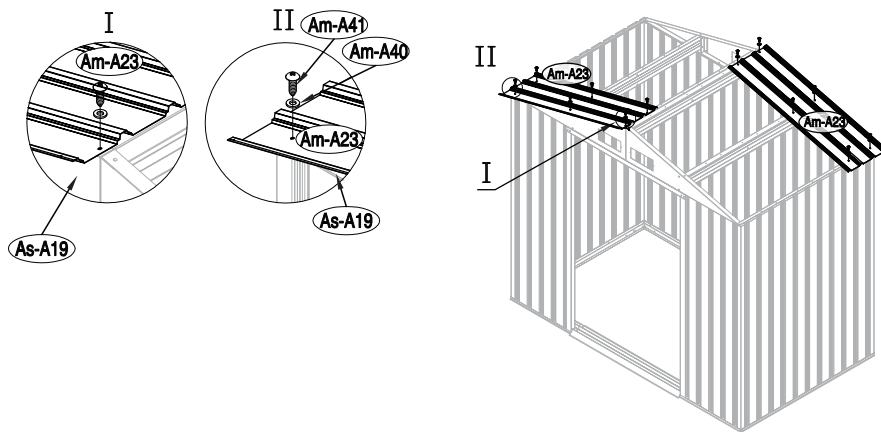
STEP 24



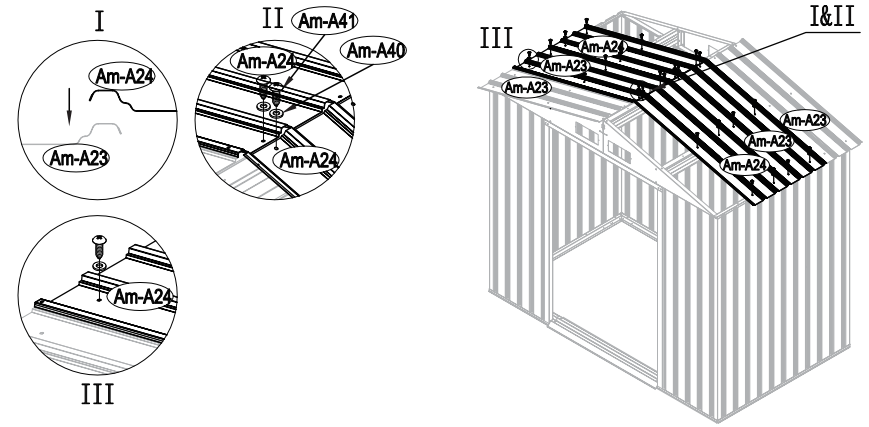
STEP 25



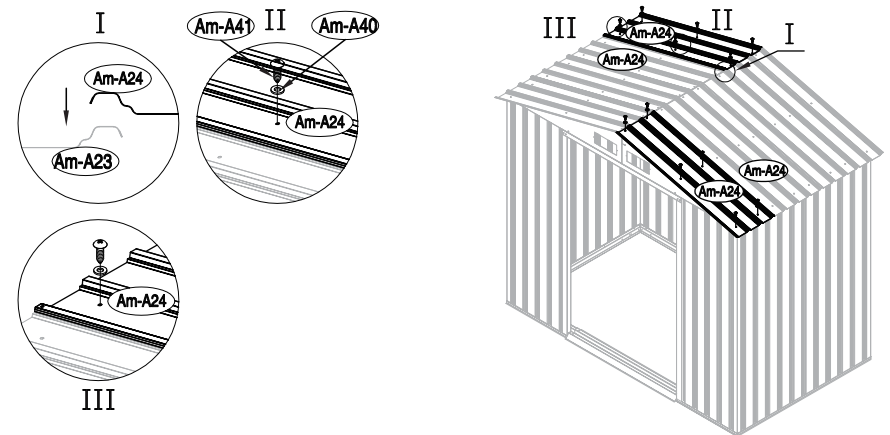
STEP 26



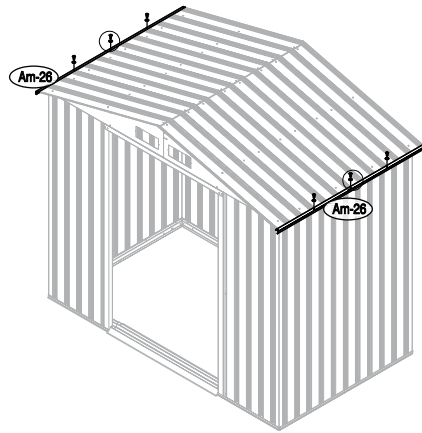
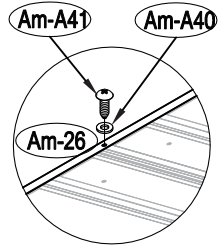
STEP 27



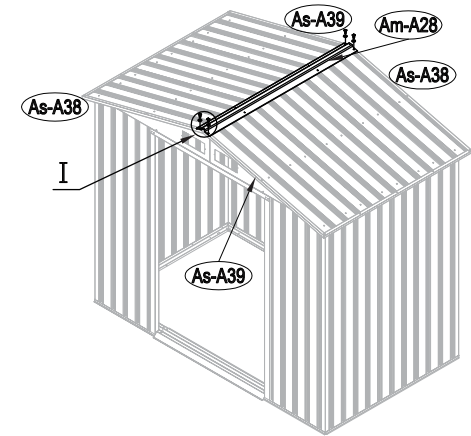
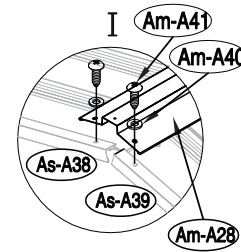
STEP 28



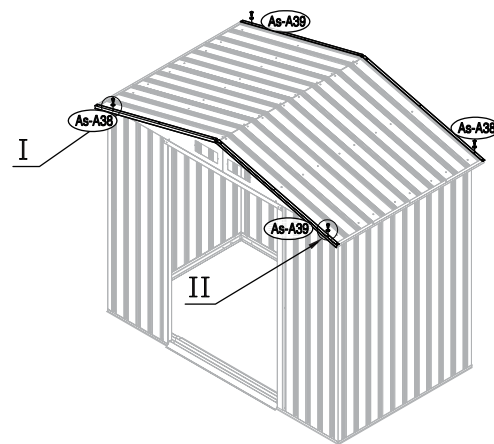
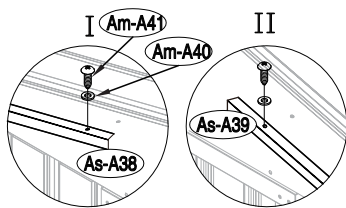
STEP 29



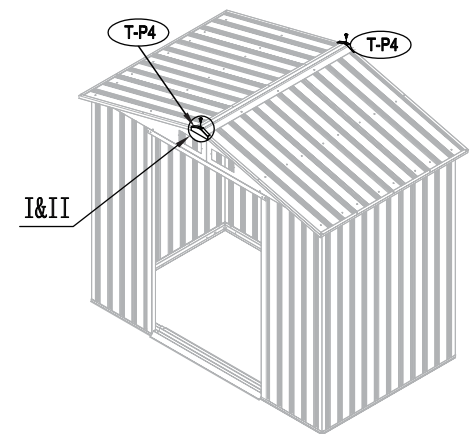
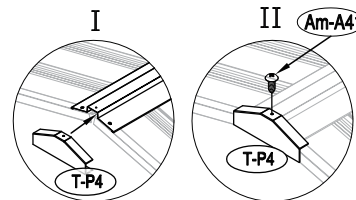
STEP 31



STEP 30

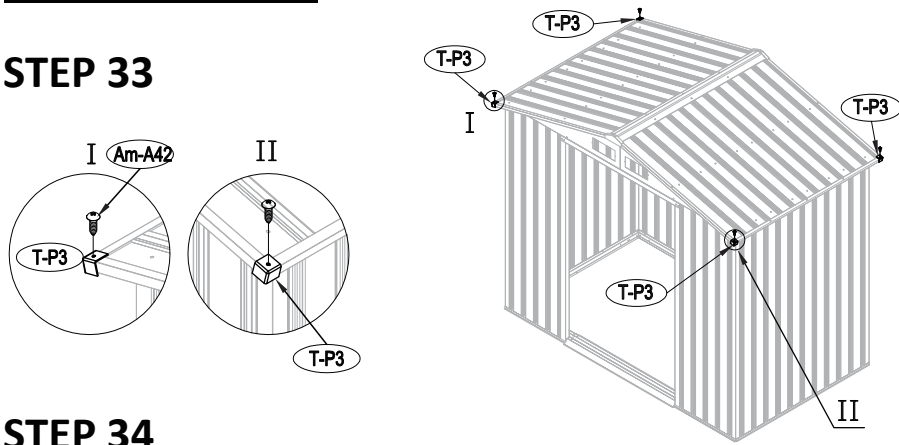


STEP 32

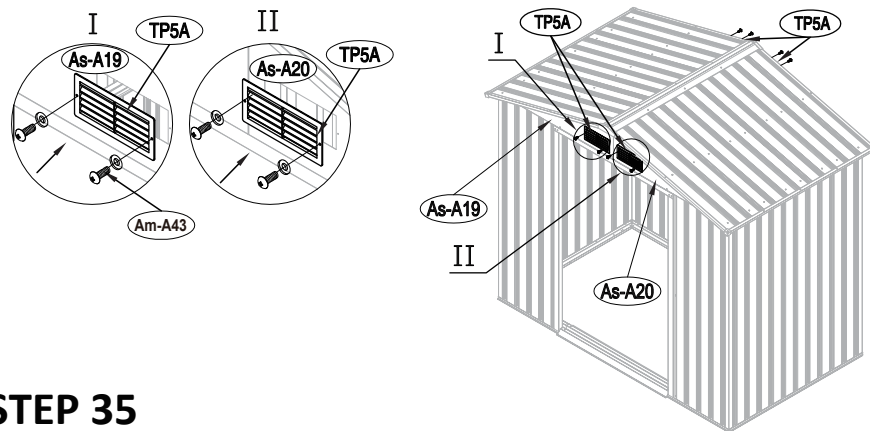


PRODUCT ASSEMBLY

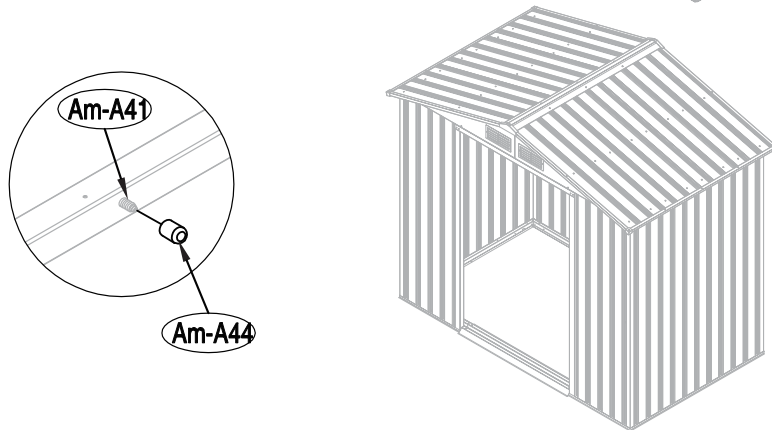
STEP 33



STEP 34

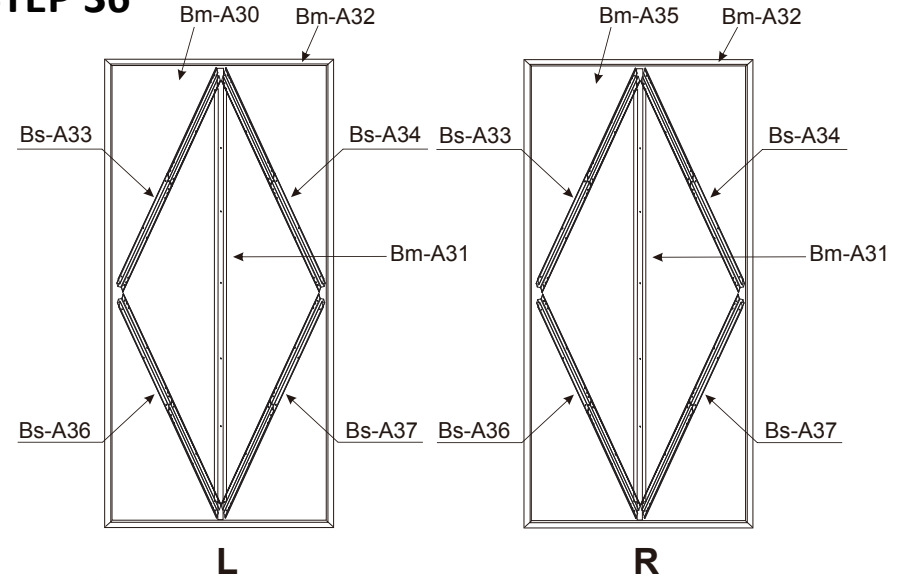


STEP 35

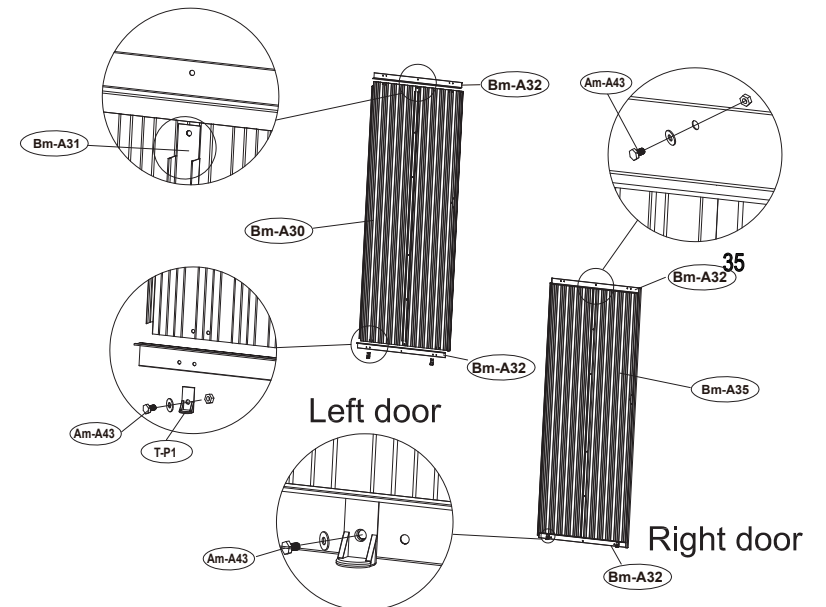


PRODUCT ASSEMBLY

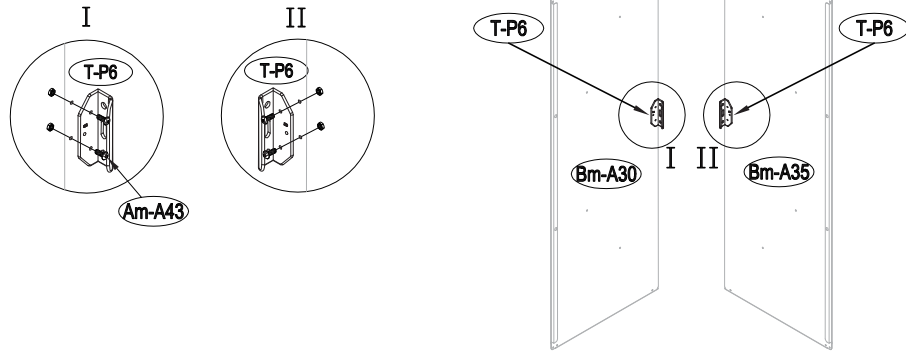
STEP 36



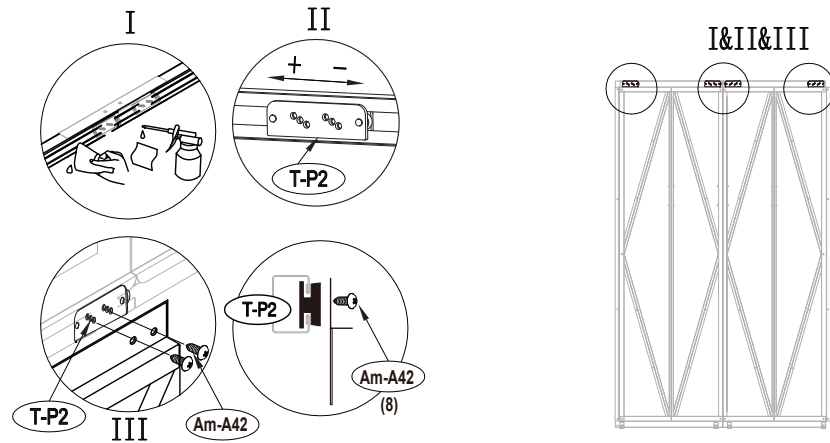
STEP 37



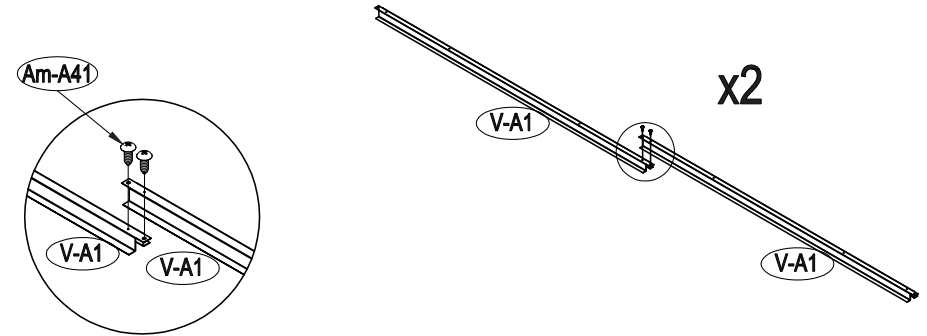
STEP 38



STEP 39



STEP 40



STEP 41

