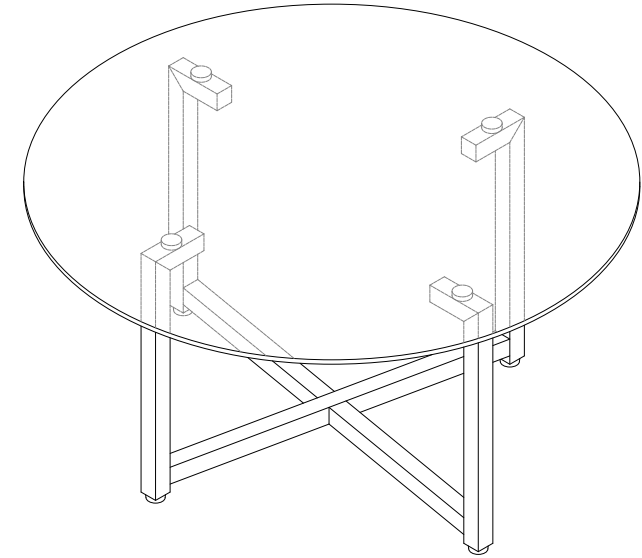


JZQ3001

Important

Please inspect all items carefully before assembling.
If for any reason you need to return this
item, you must return it in its original packaging.
Assembled items can not be returned.





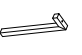





Important Note:

*Place all parts on a clean and smooth surface such as a rug or carpet to avoid the parts from being scratched.

*Kindly follow the assembly instruction step by step.

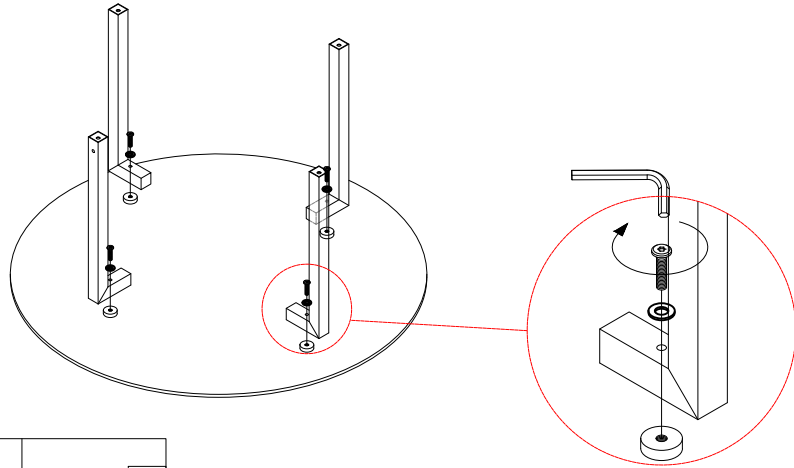
*Don't tighten all screws until the table is fully set-up.





COMPONENTS LIST

1	Top Glass		x1
2	Frame#1		x1
3	Frame#2		x4
A	Screws#1		x4
B	Screws#2		x4
C	Foot		x4
D	Allen Key		x1
E	Metal Washers		x4

1

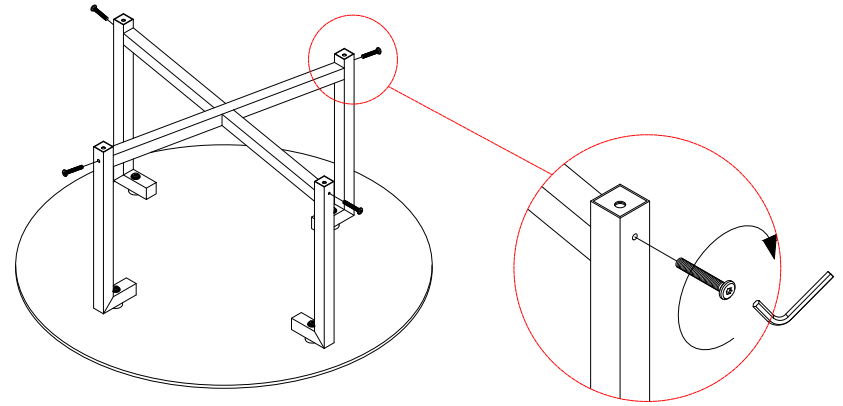
Please don't fully tighten all the screws until Step 2 .

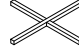



E	Metal Washers		x4
1	Top Glass		x1
3	Frame#2		x4
A	Screws#1		x4

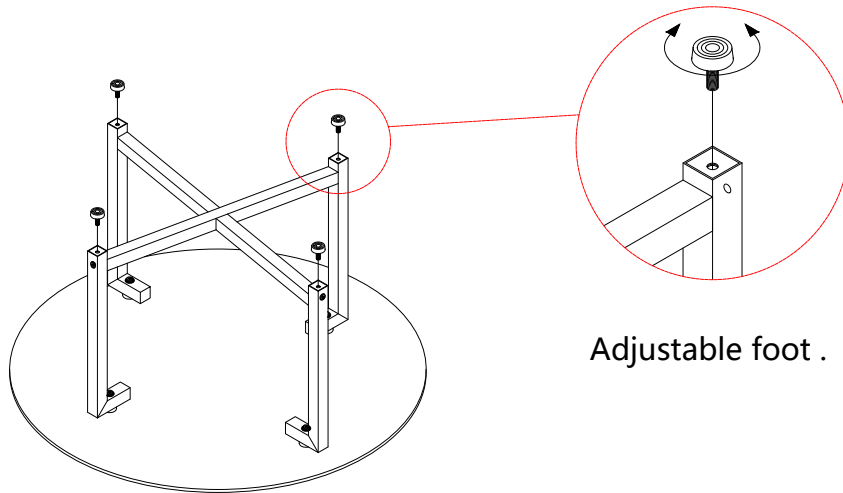
2


Make Sure fully tighten all screws .



2	Frame#1		x1
B	Screws#2		x4

3



C	Foot		x4
---	------	---	----

4

