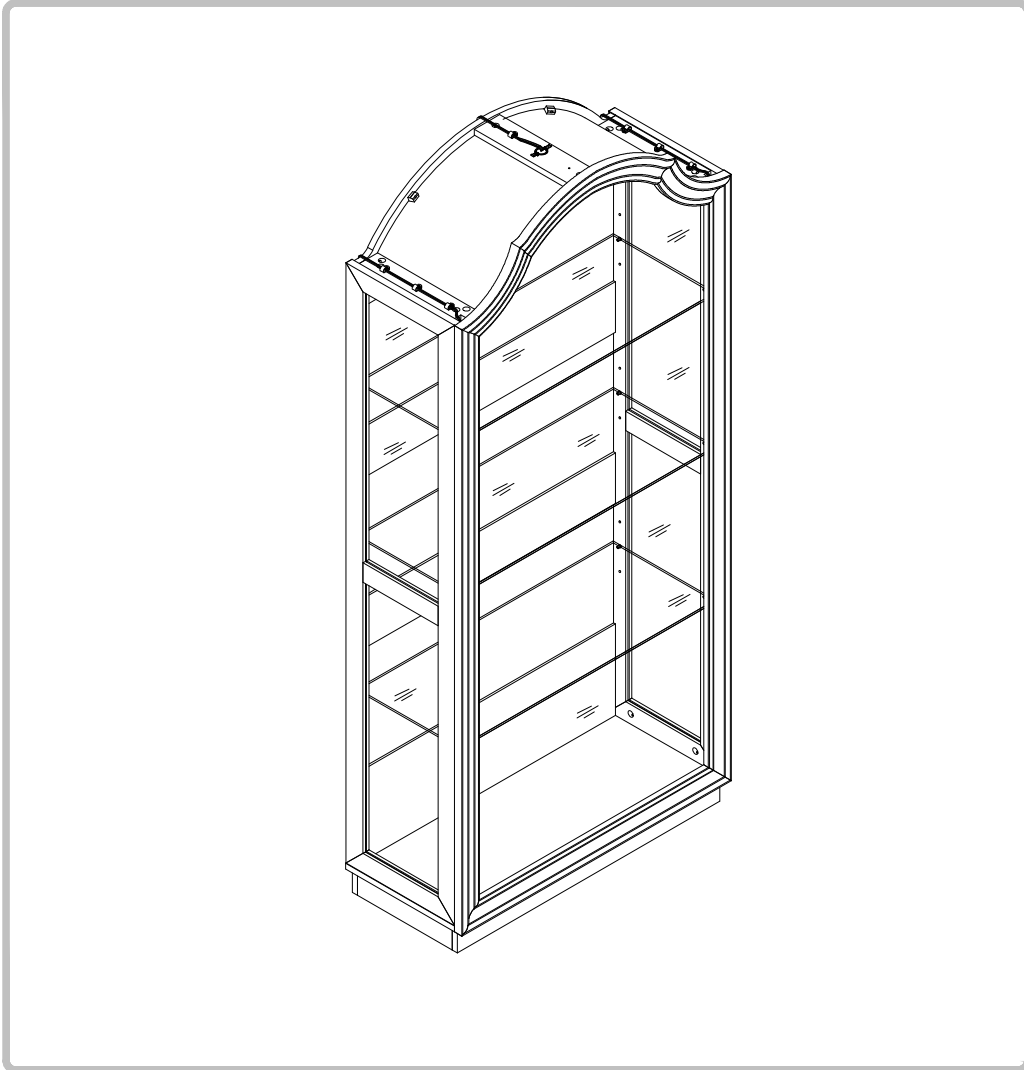


GHJ5013



2 ADULTS ASSEMBLY REQUIRED
Se necesitan dos adultos para ensamblar

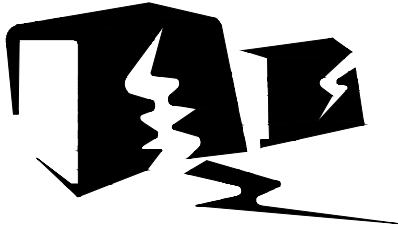
**THIS INSTRUCTION BOOKLET CONTAINS IMPORTANT SAFETY INFORMATION.
PLEASE READ AND KEEP FOR FUTURE REFERENCE.**

Date 2025-08-23 Rev. 0001-A

BUYING TIPS By Customer Team



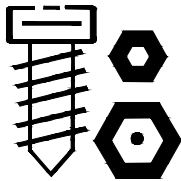
If you have any questions below, please feel free to contact us. We will respond within 24 hours.



ANY DAMAGE



READ INSTRUCTIONS
CAREFULLY



MISS SOME PARTS



OTHER QUESTIONS

Email: Furniture-Service-24Hour@outlook.com

GENERAL INFORMATION, TIPS AND TRICKS

1. Please read the Assembly Instructions prior to assembling this product.
2. Remove all hardware from the box and sort by size.
3. Check to see that all hardware and parts are present BEFORE assembling.
4. Ask a friend to assist you with the assembly of this furniture.
5. To avoid damage, assemble the product on a sturdy, level and protective surface.
6. Please wait until all steps are completed before fully tightening bolts.
7. Make sure all screws and bolts are tightly fastened before the unit is used.
8. CAUTION If you use an electric screwdriver to tighten screws, be careful to slow.
9. stop when the screws are tightened. Failure to do so may result in stripping of the screws.
10. If the installation kit is equipped with anti-tip device, It is recommended to secure the cabinet to the wall with screws after installation to prevent it from falling down.

SAFETY INFORMATION

The accessory bag contains some small accessories , which should be kept away from children.

Kids are not allowed to climb or playwith the product for safety reasons.

NECESSARY TOOLS – YOU WILL NEED THESE TOOLS FOR ASSEMBLY

1.RUBBER MALLET

2.PHILLIPS HEAD SCREW DRIVER

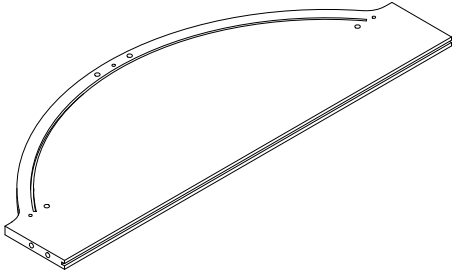
3.FLAT HEAD SCREW DRIVER



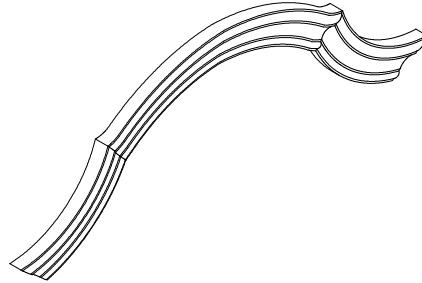
NOW YOU ARE READY TO BEGIN ACTUAL ASSEMBLY!

BOARD IDENTIFICATION

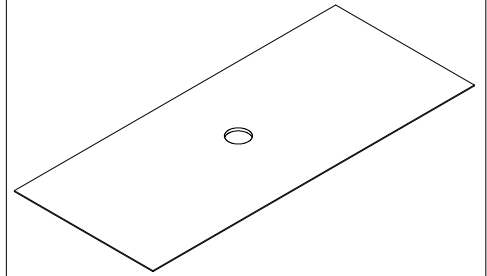
① x 1



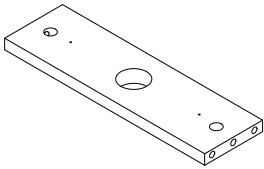
② x 1



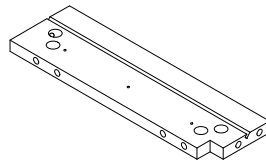
③ x 1



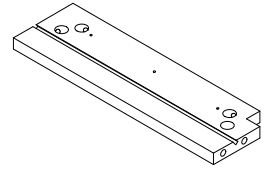
④ x 1



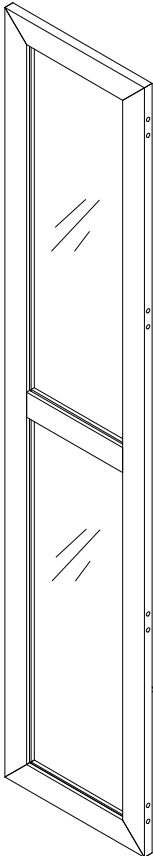
⑤ x 1



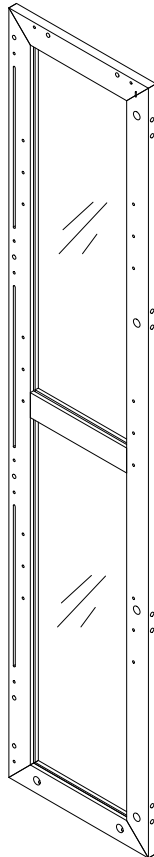
⑥ x 1



⑦ x 1



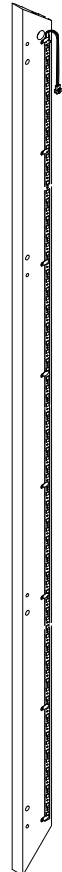
⑧ x 1



⑨ x 1

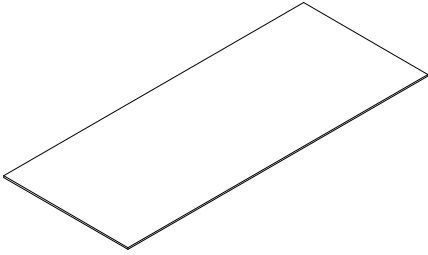


⑩

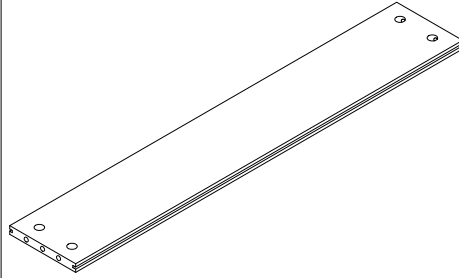


BOARD IDENTIFICATION

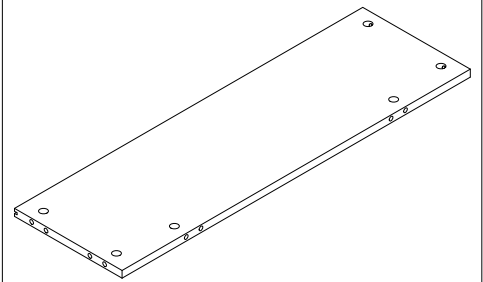
⑪ x 3



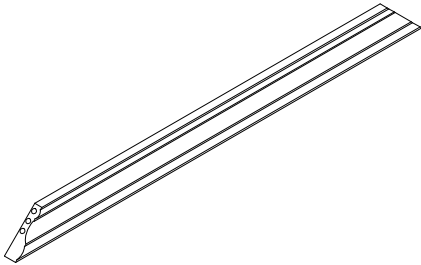
⑫ x 2



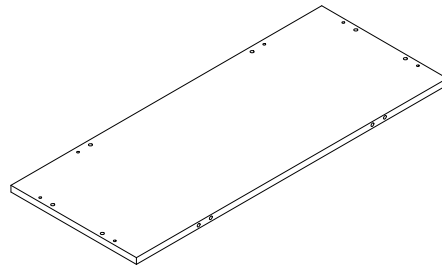
⑬ x 1



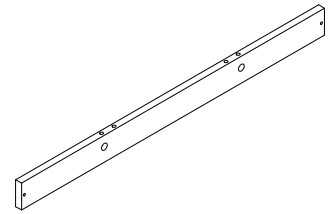
⑭ x 1



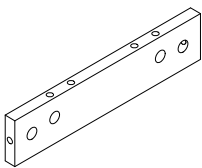
⑮ x 1



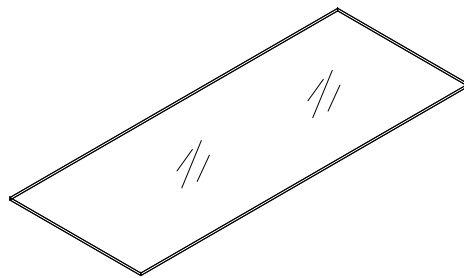
⑯ x 2



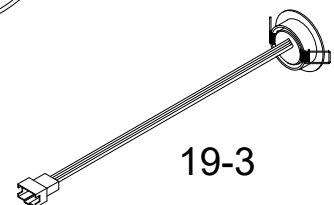
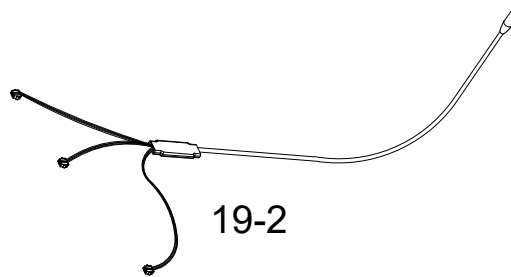
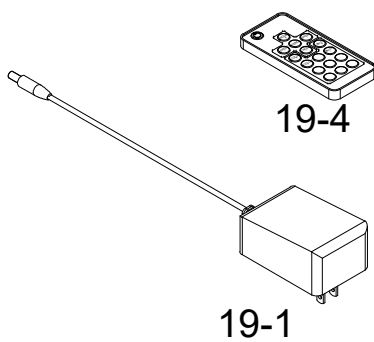
⑰ x 2



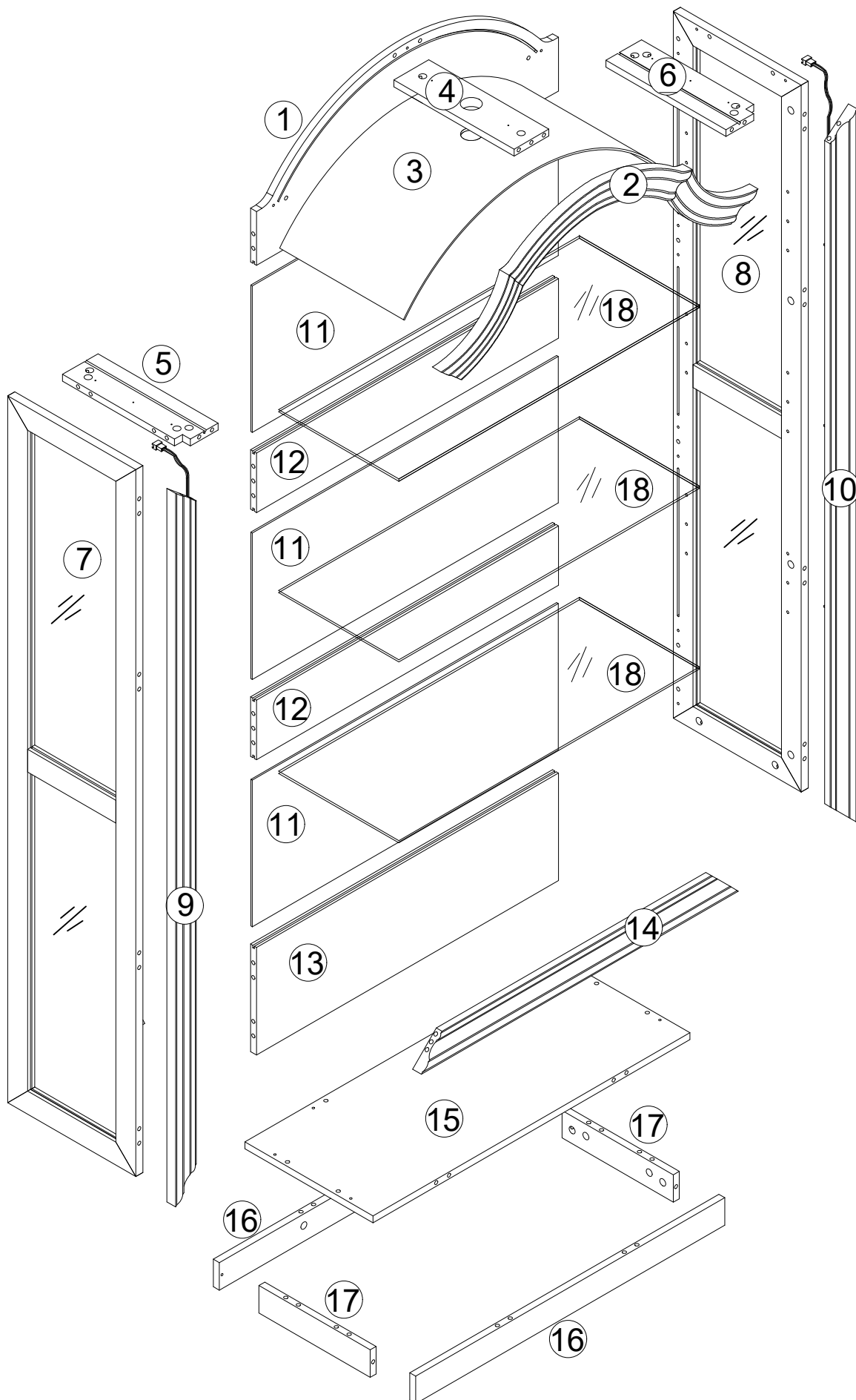
⑱ x 3



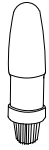

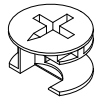





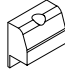
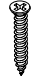
⑲







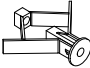
BOARD IDENTIFICATION



HARDWARE IDENTIFICATION

<p>A</p>  <p>Glue Qty: 1</p>	<p>B</p>  <p>Wood Dowel Ø8*30mm Qty: 50</p>	<p>C</p>  <p>Cam Lock Ø15*9mm Qty: 58</p>	<p>D</p>  <p>Cam Bolt Ø7*34mm Qty: 58</p>	<p>E</p>  <p>Screw Ø3*12mm Qty: 9</p>
<p>F</p>  <p>Crash pad Qty: 46</p>	<p>G</p>  <p>Shelf support Qty: 12</p>	<p>H</p>  <p>Wire Clip Qty: 9</p>	<p>I</p>  <p>Plastic wedge Qty: 8</p>	<p>J</p>  <p>Plat-head screw Ø3*16mm Qty: 8</p>

WALL MOUNTING KIT

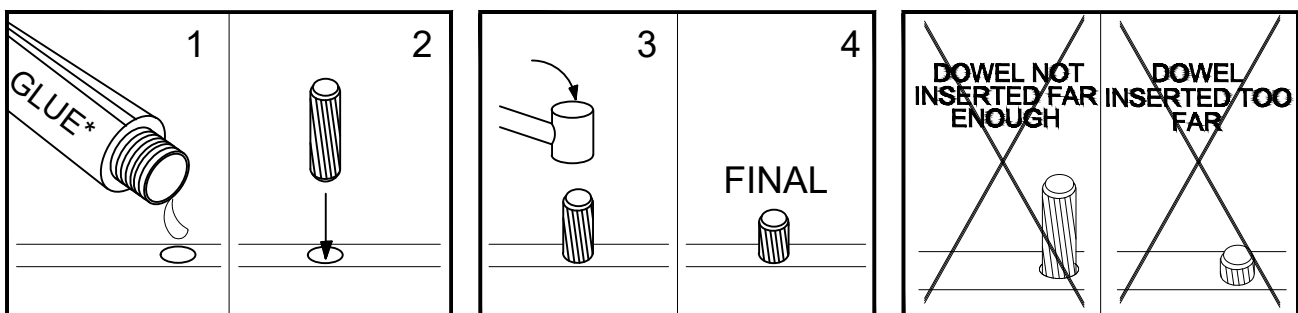
 <p>Metal Qty: 2</p>	 <p>Steel Cable Qty: 1</p>	 <p>Short Screw Ø4*20mm Qty: 1</p>	 <p>Long Screw Ø4*38mm Qty: 2</p>	 <p>Drywall Anchor Qty: 1</p>
---	---	---	--	--

IMPORTANT

Before you begin: Open, identify and count all parts prior to assembly. Lay out parts on a flat and non-abrasive surface.

NOTE: IT IS VERY IMPORTANT TO USE GLUE WITH THE DOWELS. EXCESS GLUE CAN BE WIPED OFF WITH A DAMP CLOTH.

Insert Dowel at least half way by tapping lightly with a rubber mallet (not included), IF NECESSARY.



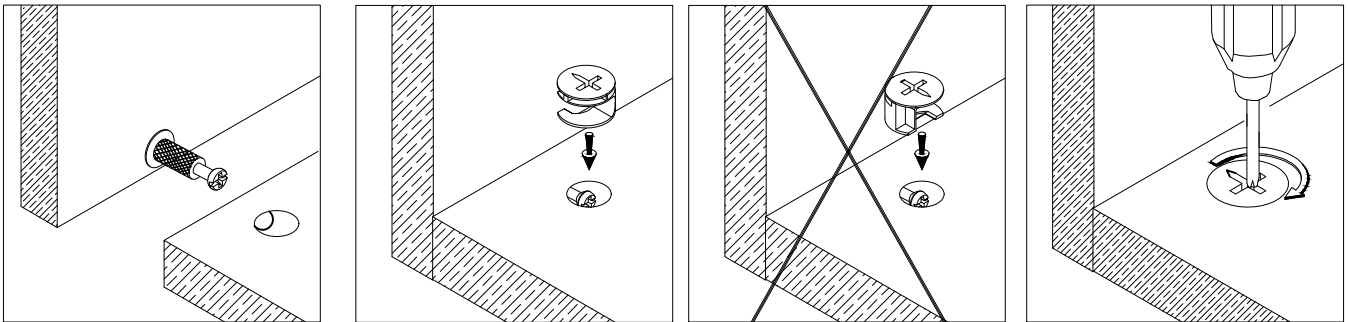
CAM LOCK SYSTEM OPERATION

NOTE: When inserting the Cam Lock, make sure that the Open End of the Cam Lock faces the Cam Screw Entry. The Dowel will be inserted in the hole NEXT to the Cam Lock/Cam Screw Hole.

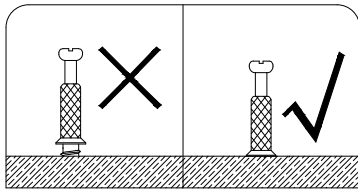
NOTE: The Cam Lock is backwards in this illustration. The Cam Screw can not connect to the Cam Lock because the Dowel is in the incorrect hole.



NOTE: To tighten, turn the Cam Lock CLOCKWISE until the arrow point AWAY from the connected Panel.

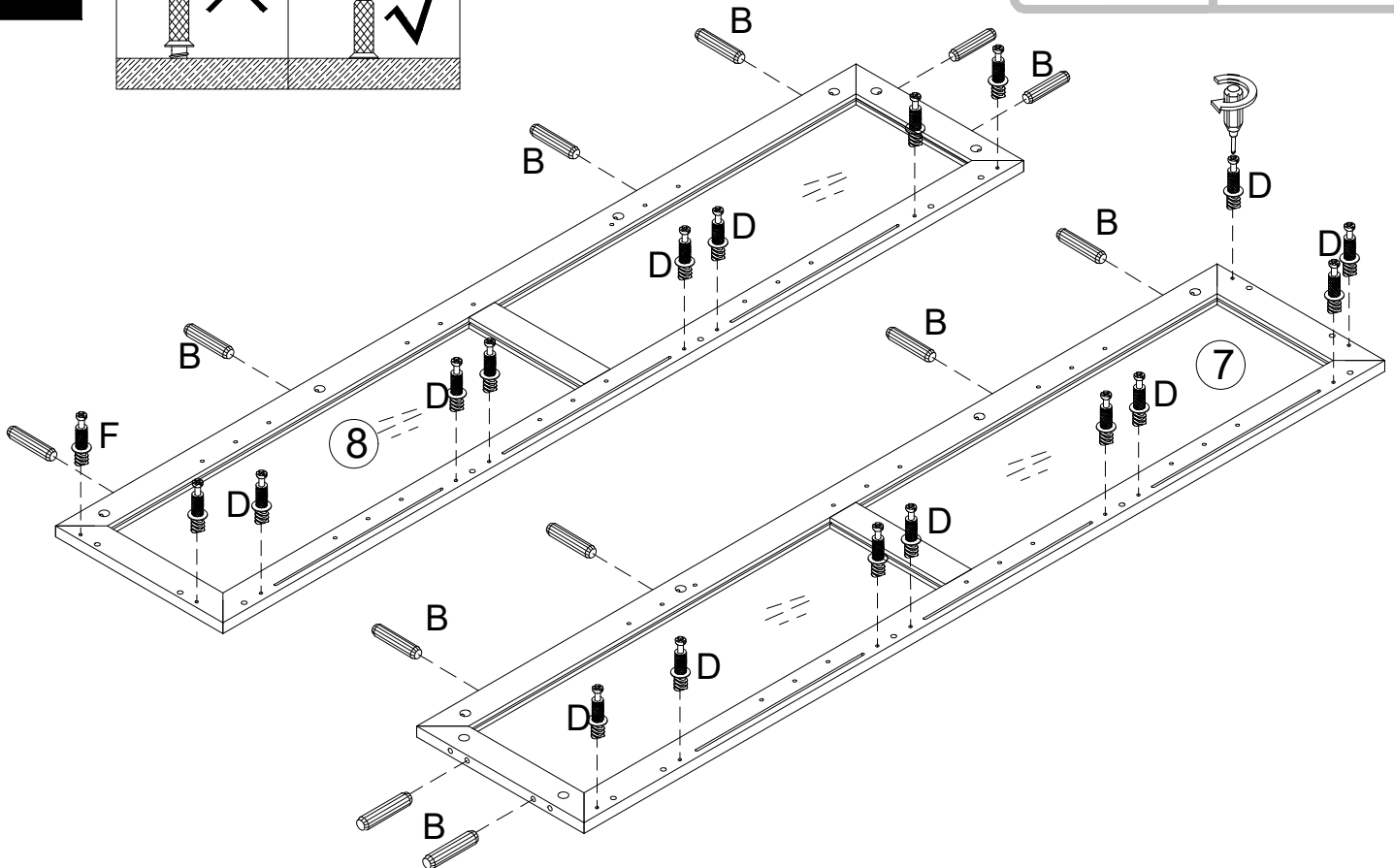
NOTE: DO NOT USE AN AUTOMATIC SCREWDRIVER TO TIGHTEN CAM LOCKS, DO NOT OVER-TIGHTEN.



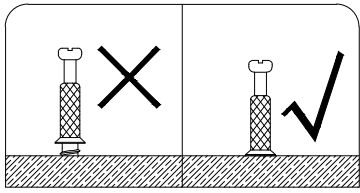
STEP
1

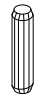



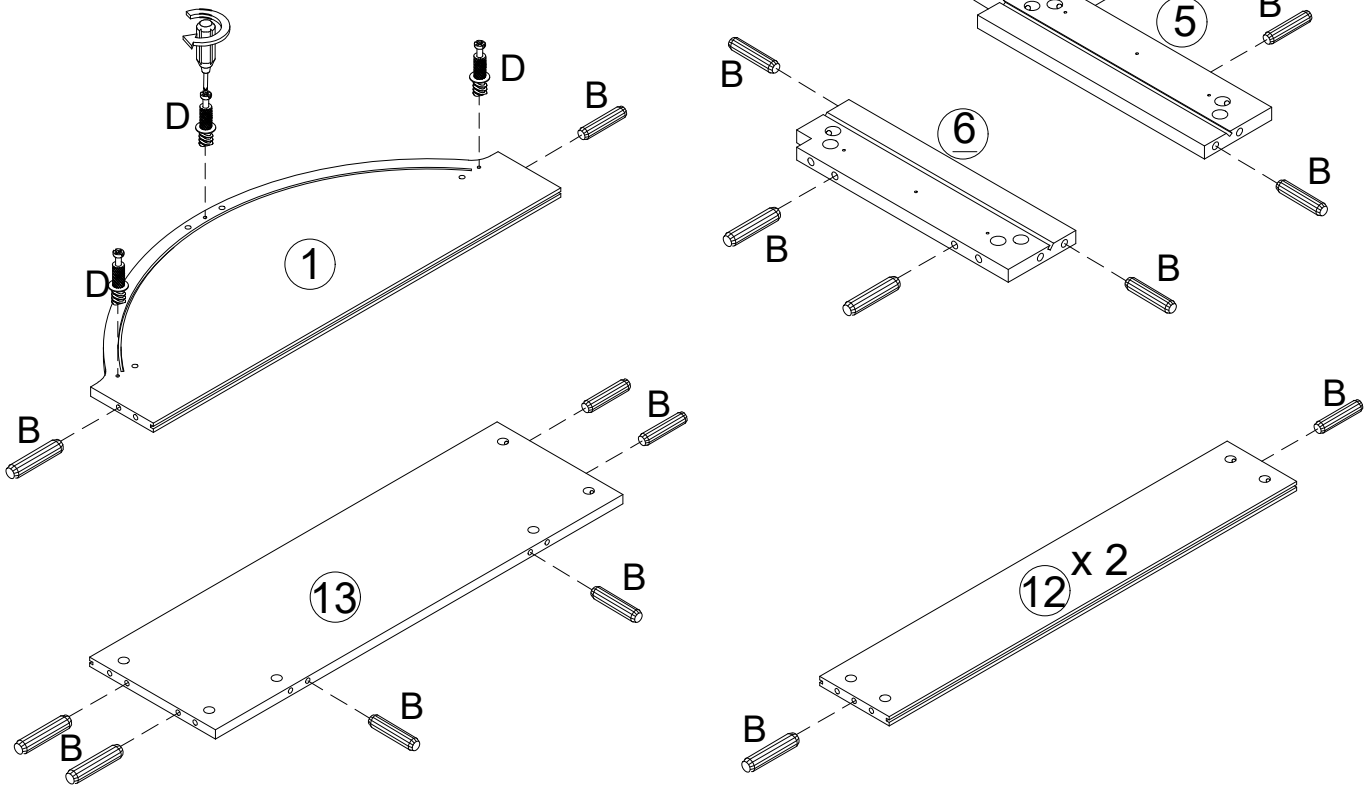
B 12 x 
D 18 x 



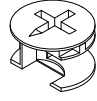
STEP
2

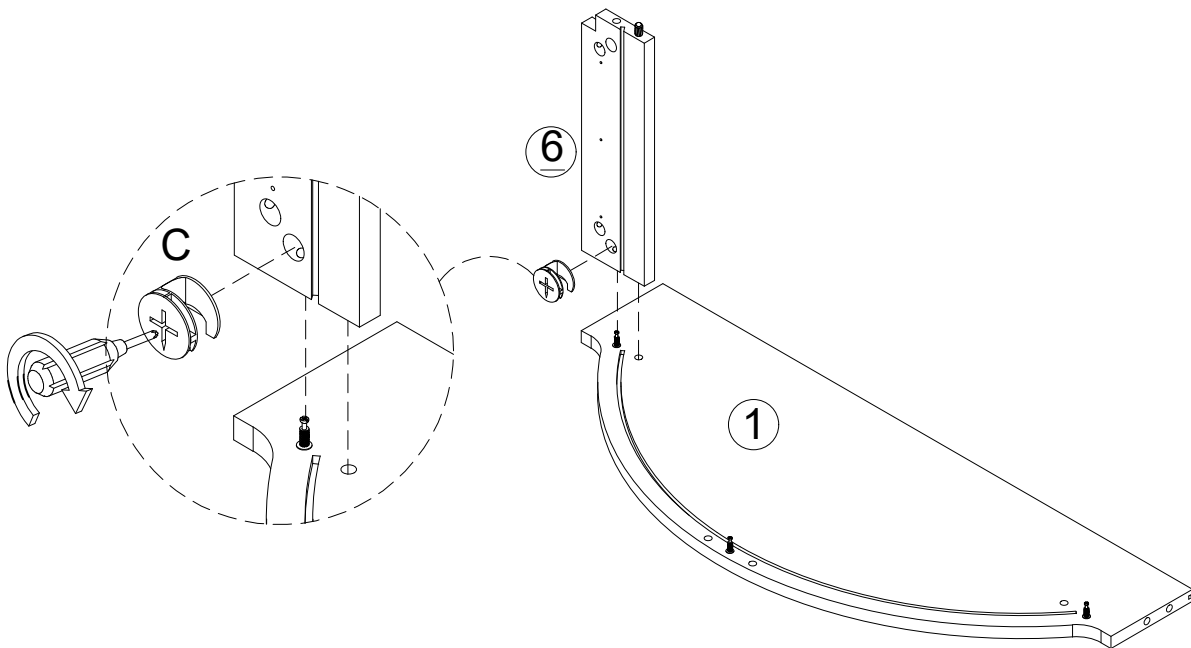


B		D	
20 x		3 x	



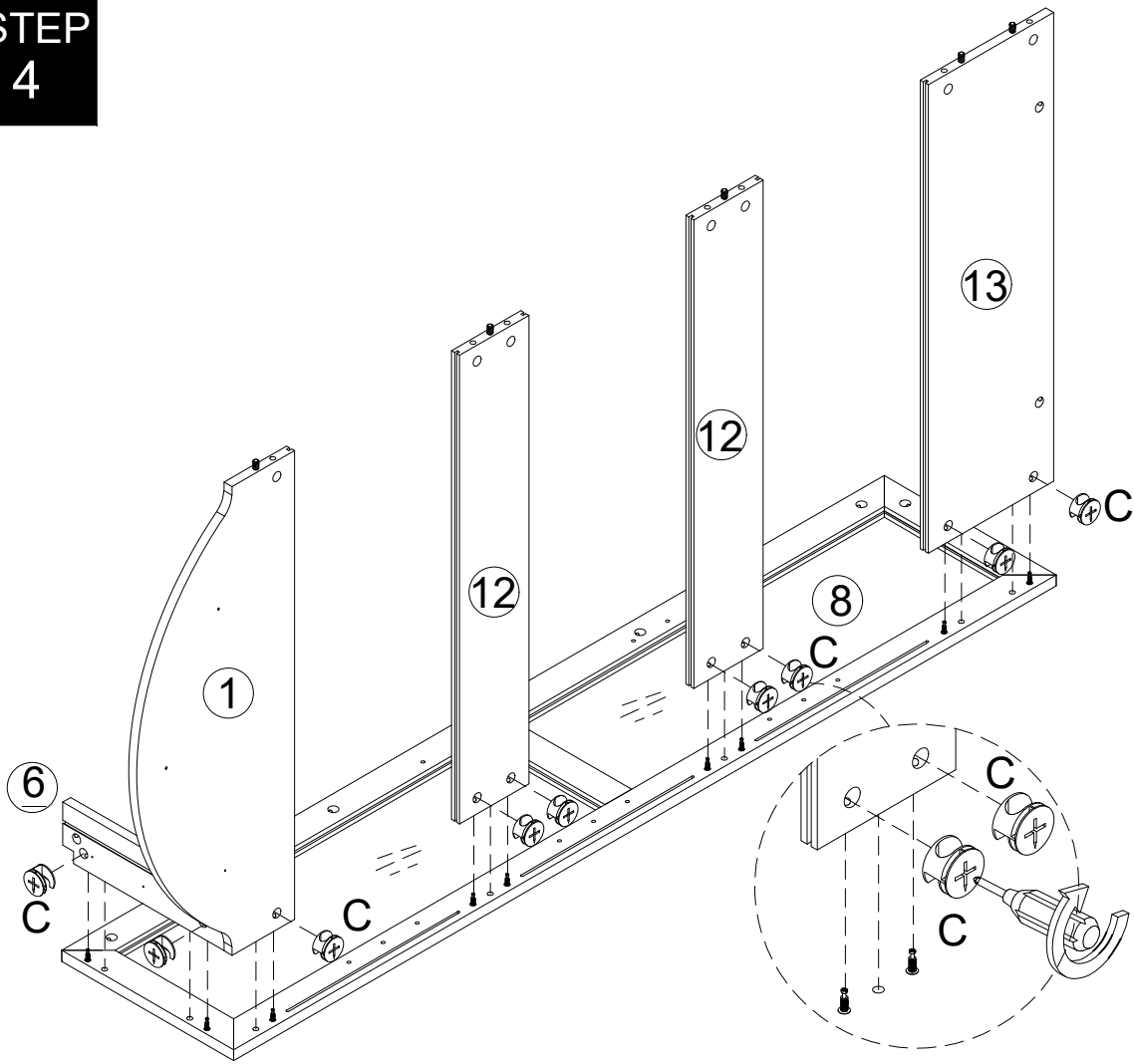
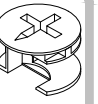
STEP
3

C	
1 x	

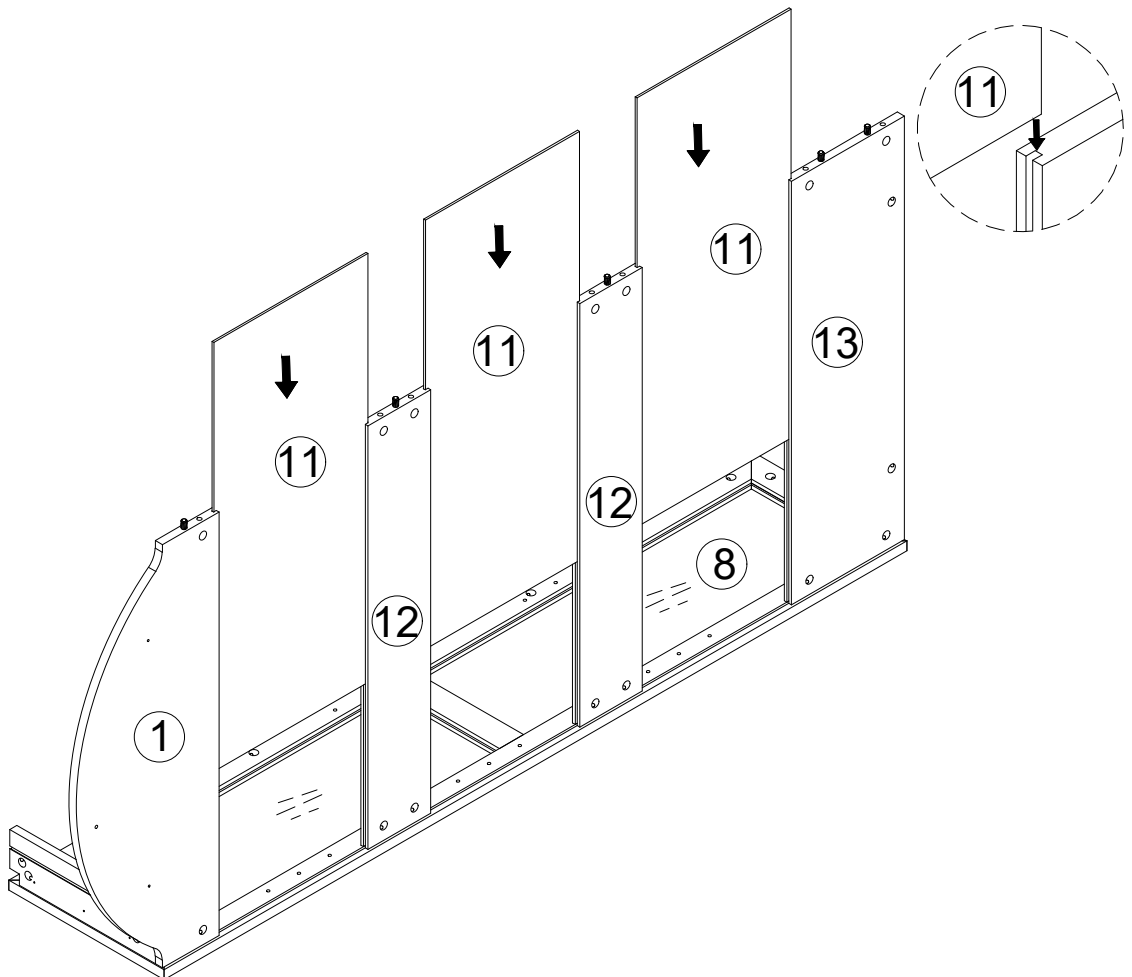


STEP
4

C
9 x

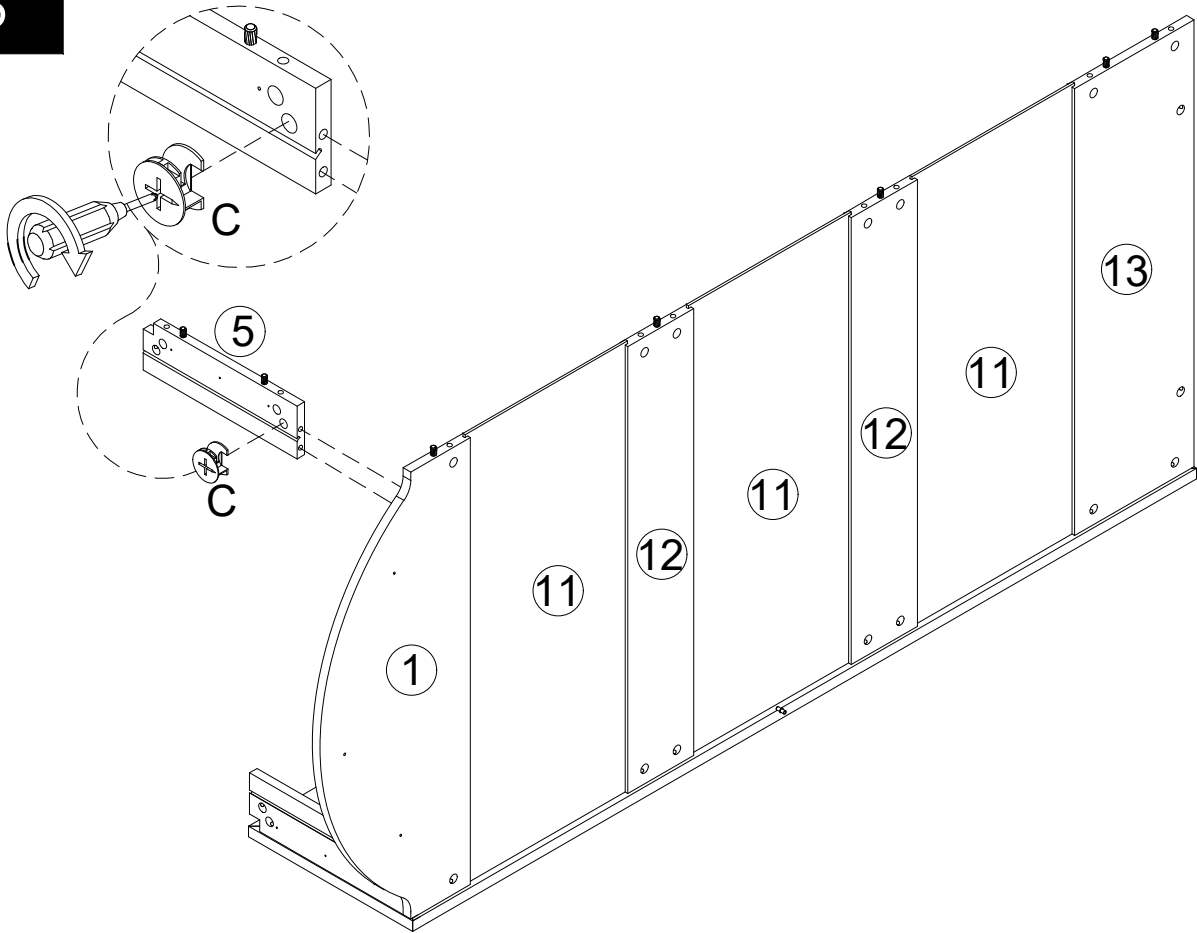
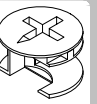


STEP
5



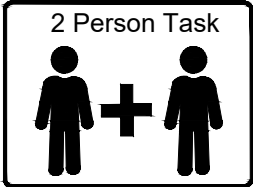
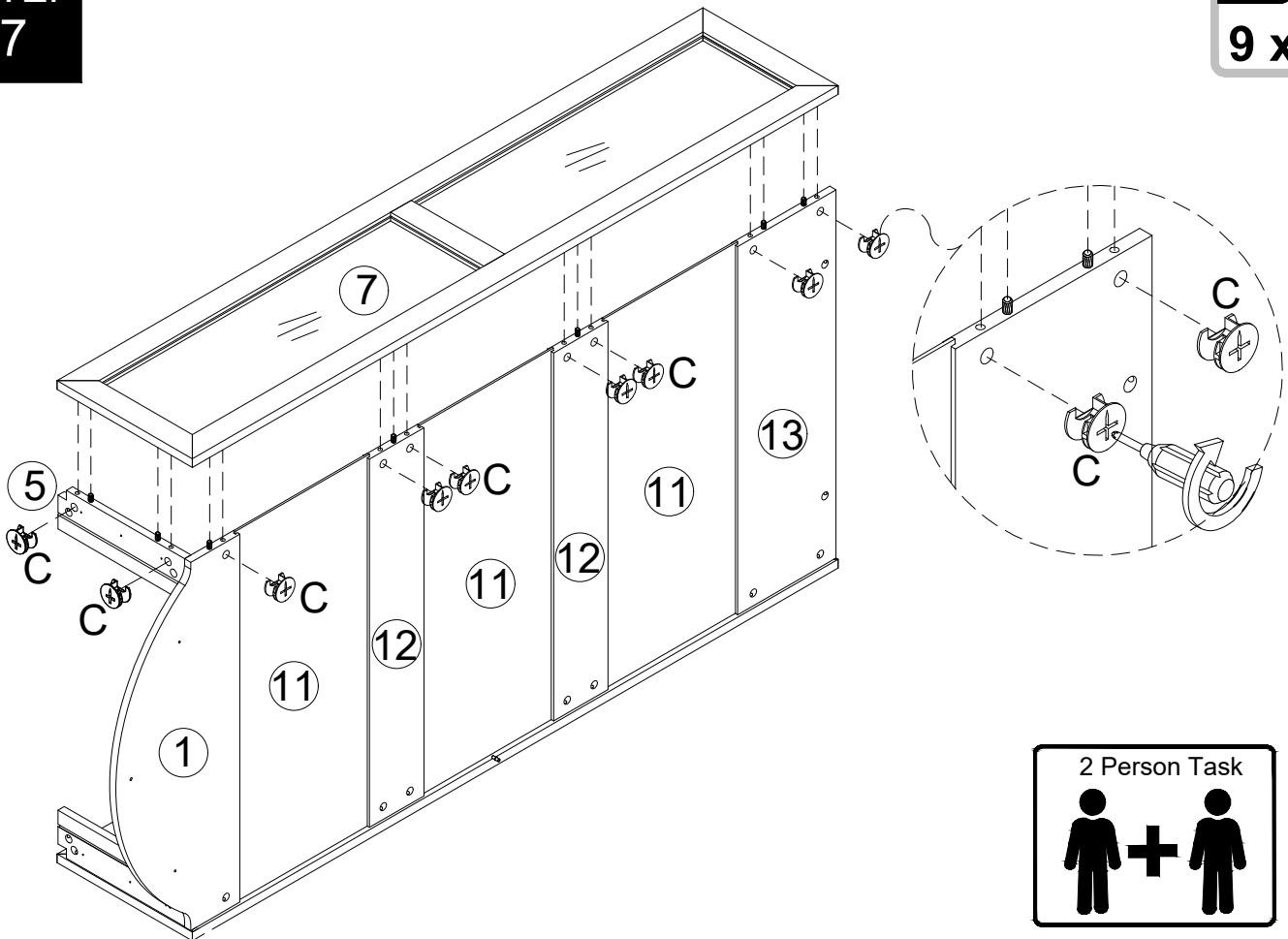
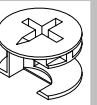
STEP
6

C
1 x

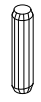



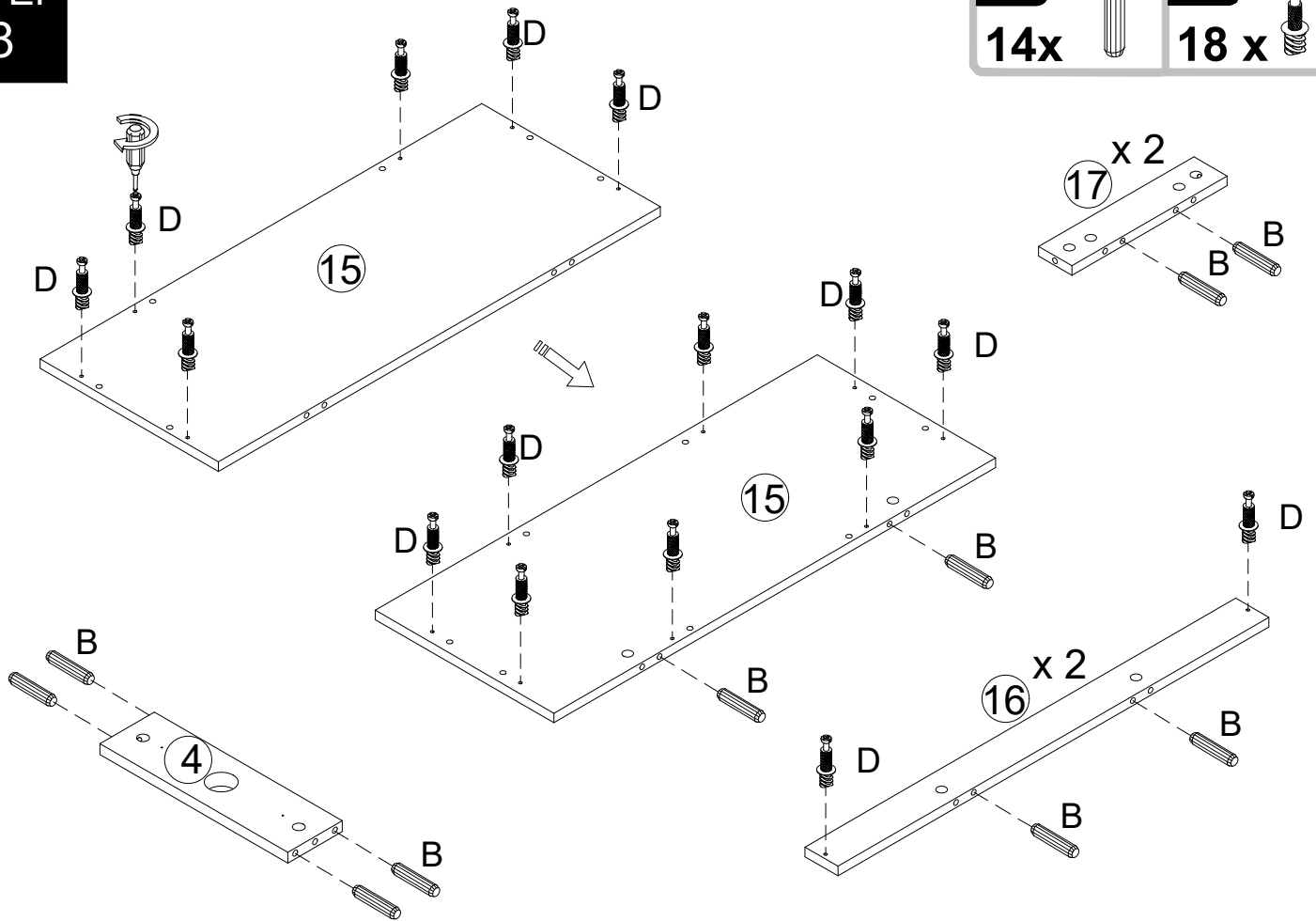
STEP
7

C
9 x

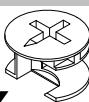


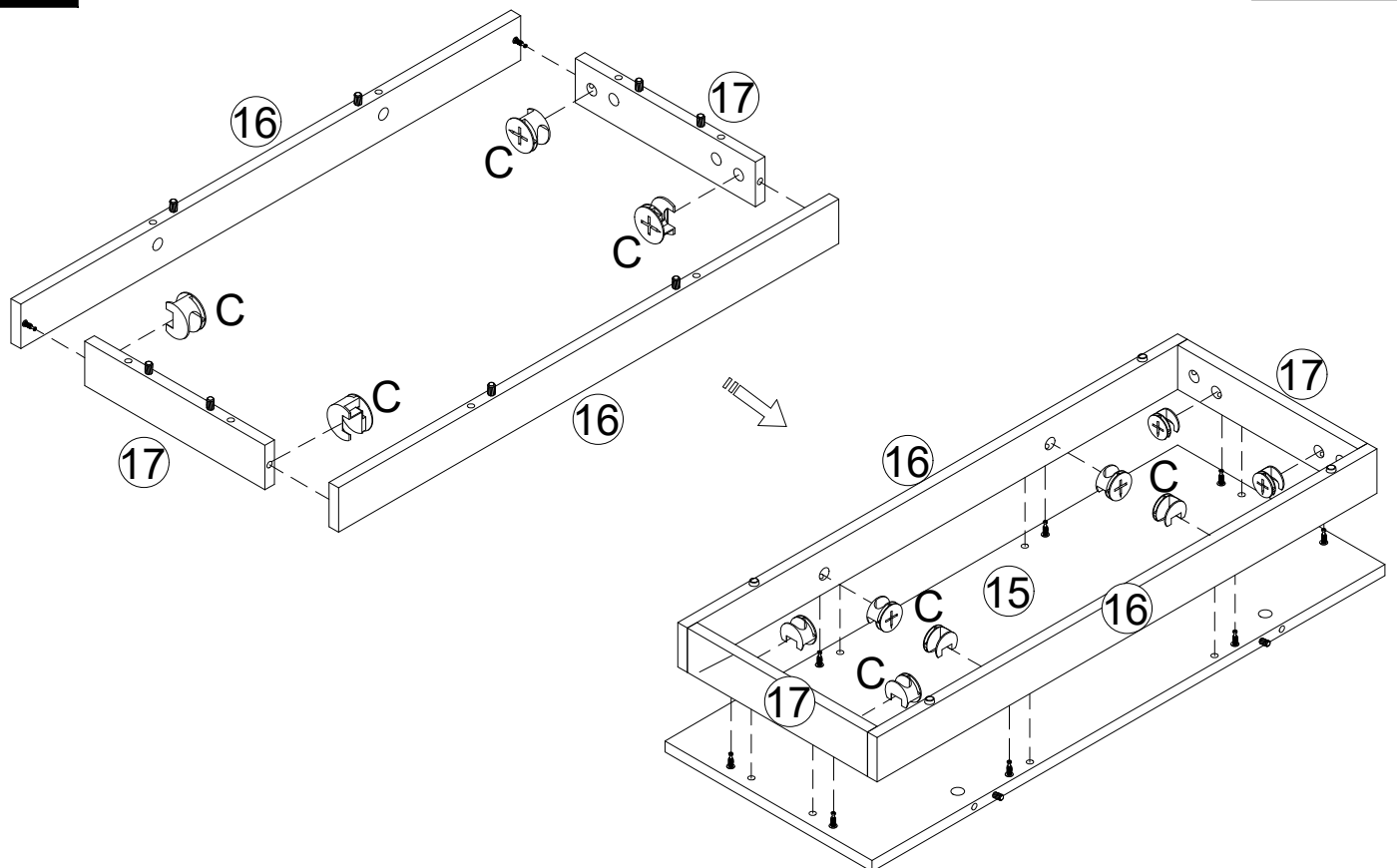
STEP
8

B		D	
14x		18 x	



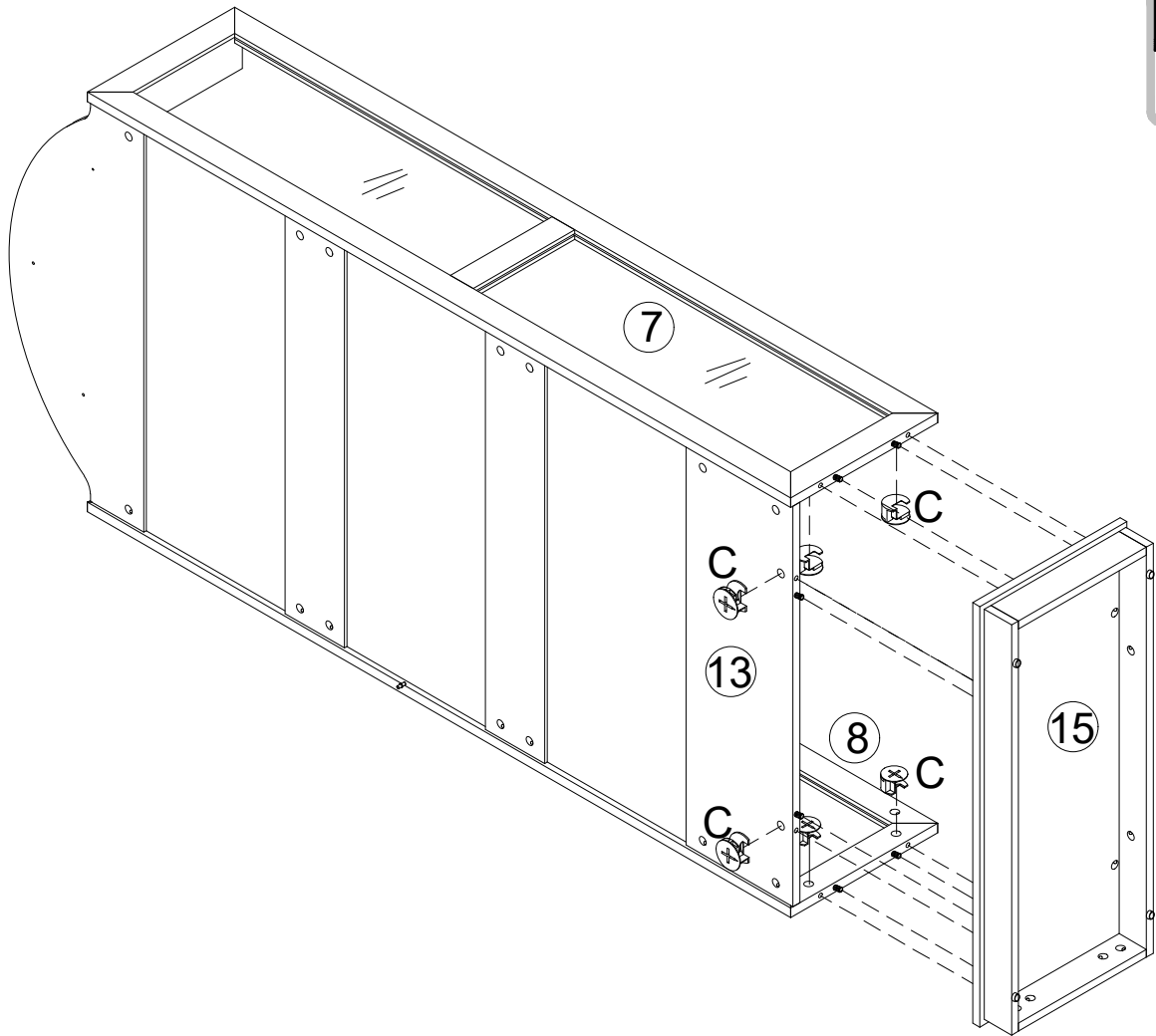
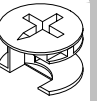
STEP
9

C	
12 x	



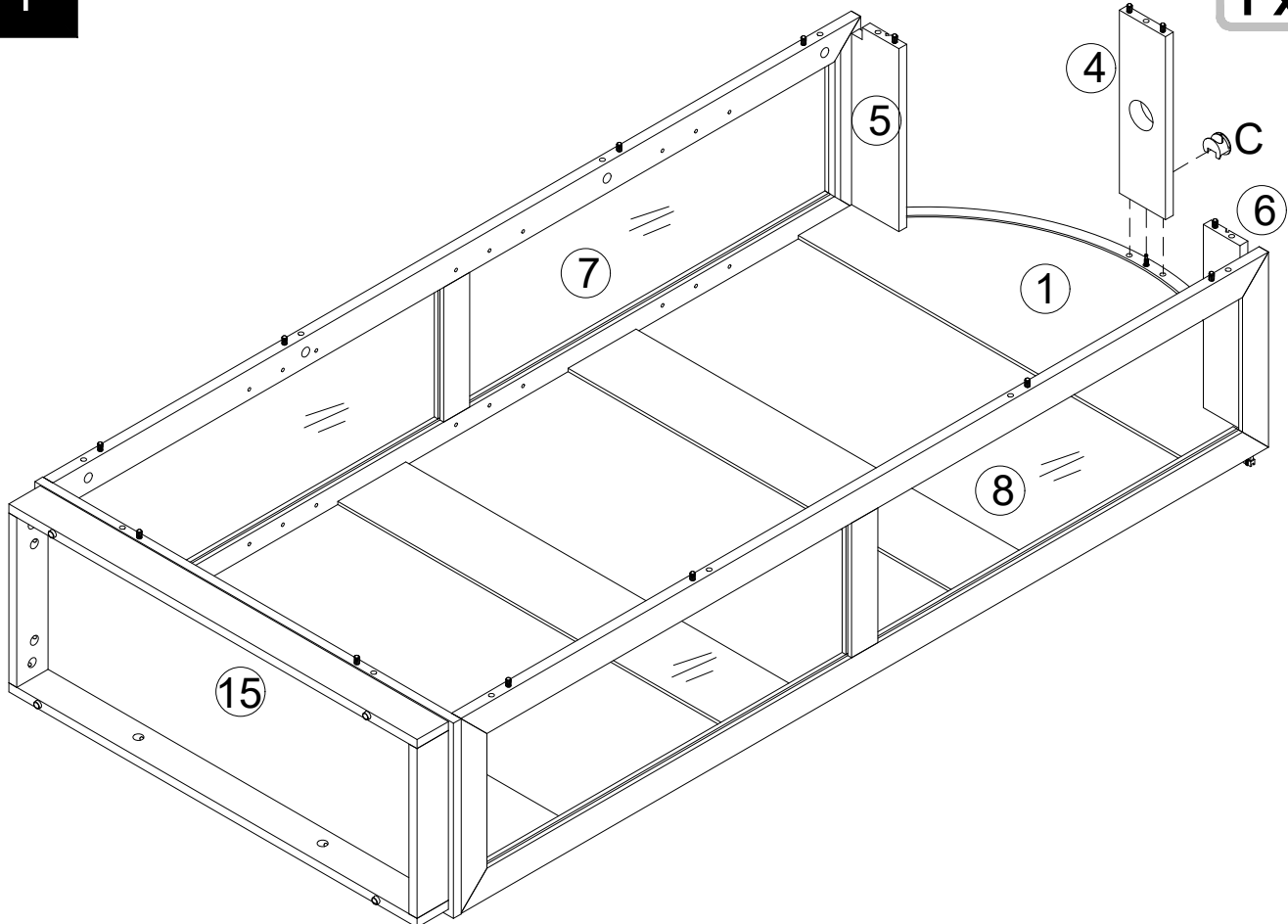
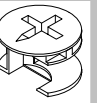
STEP
10

C
6 x

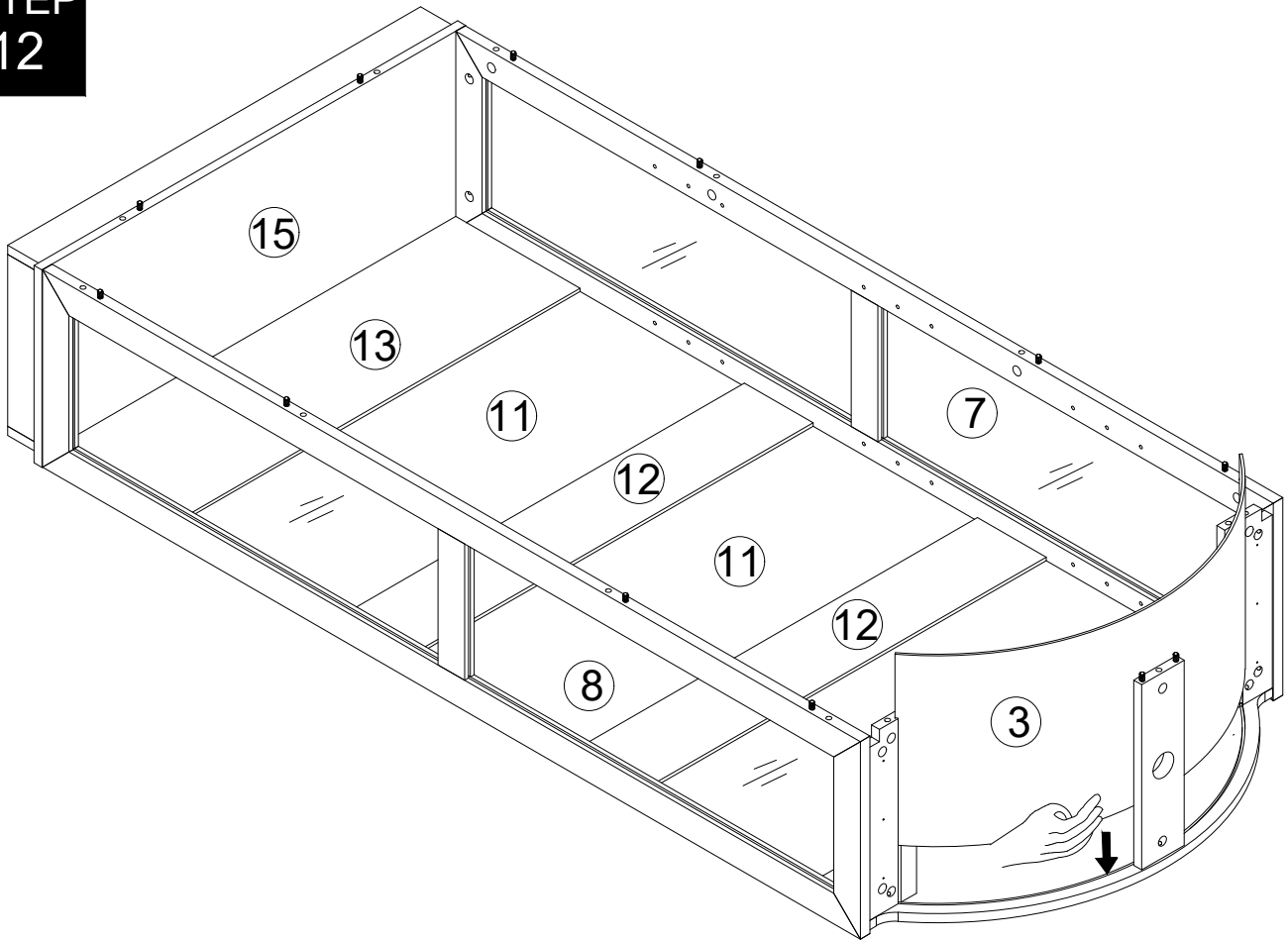


STEP
11

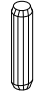

C
1 x

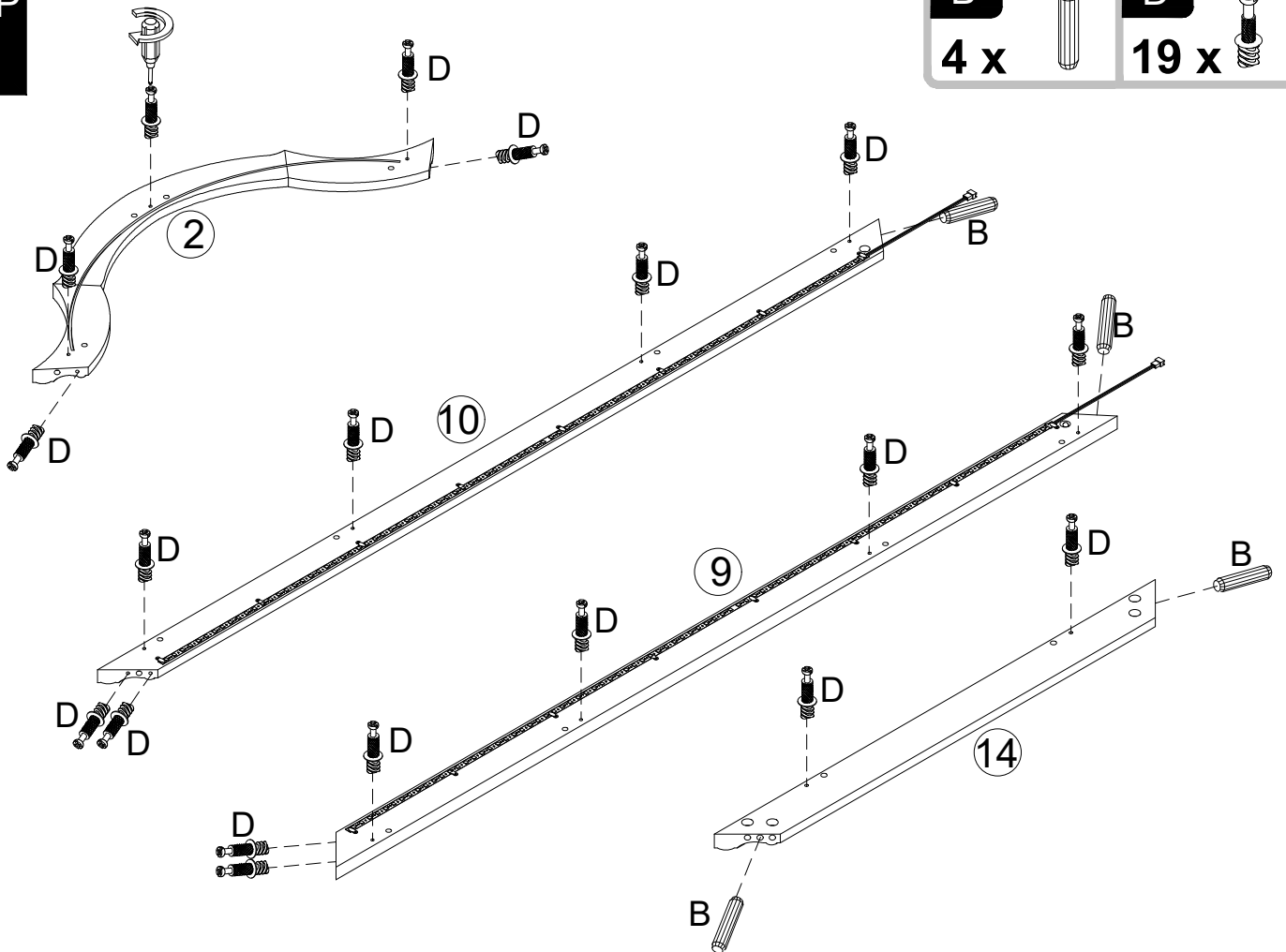


STEP
12

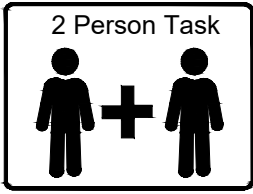


STEP
13

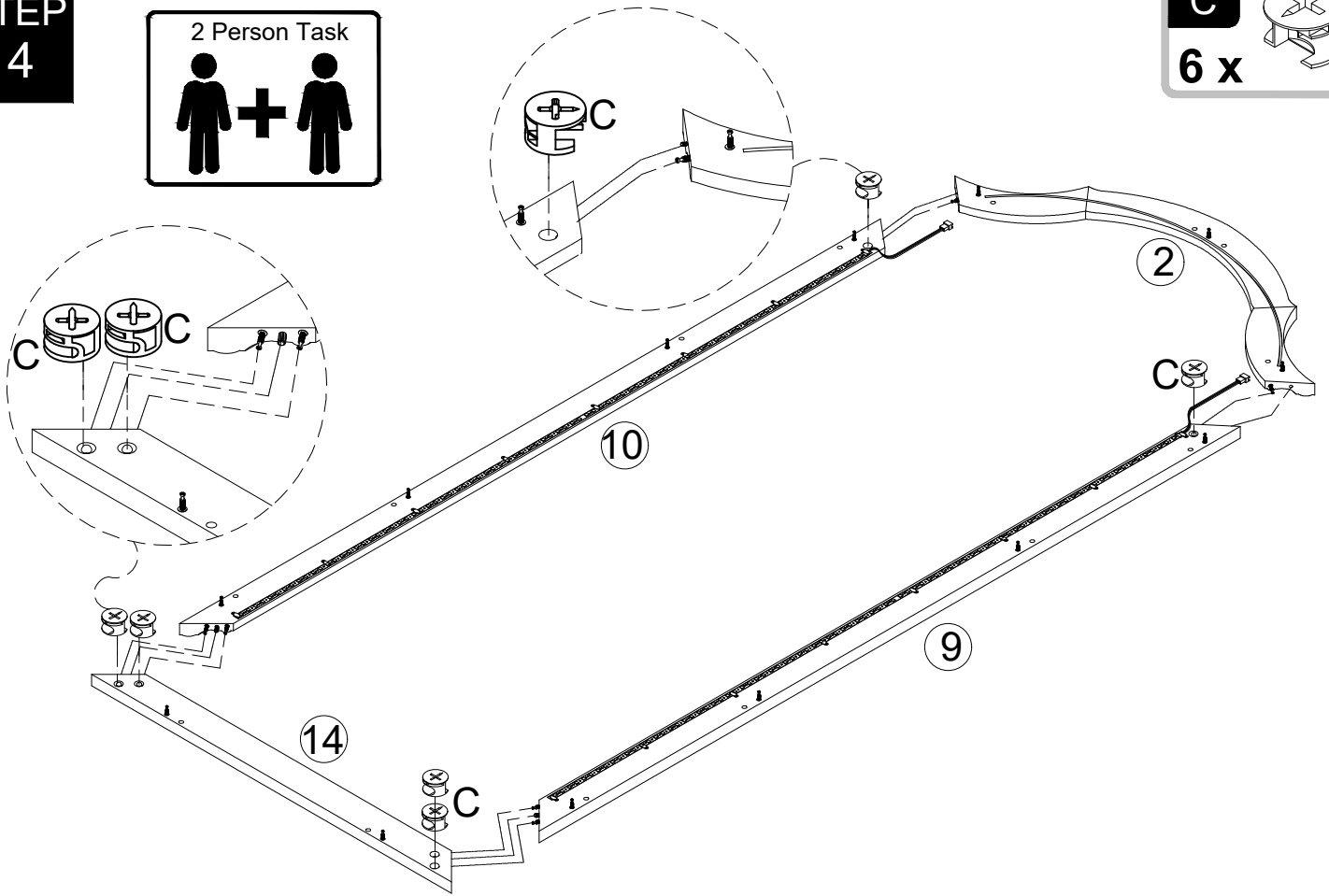
B		D	
4 x		19 x	



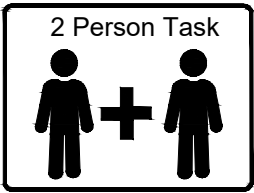
STEP
14



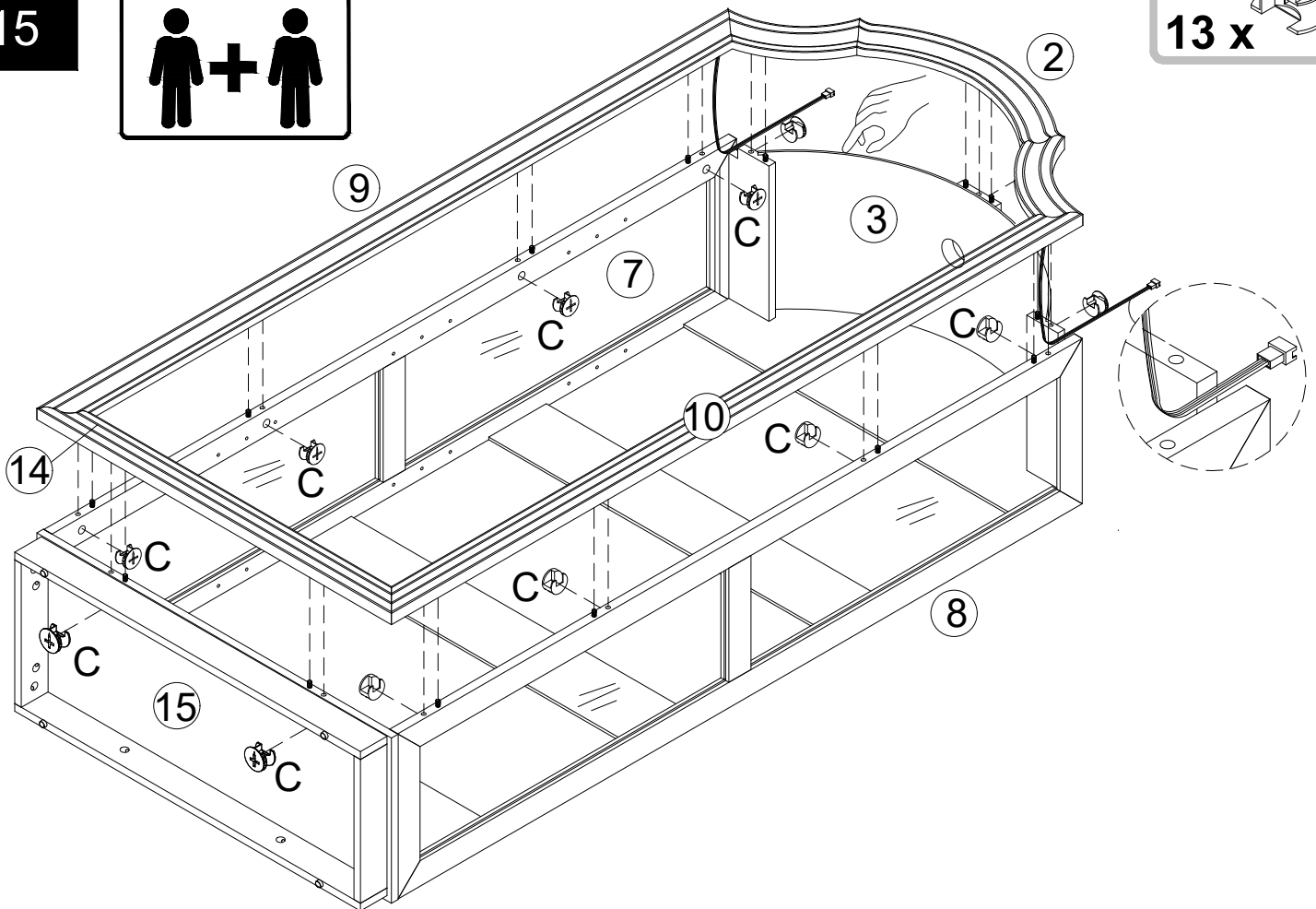
C
6 x



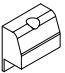



STEP
15

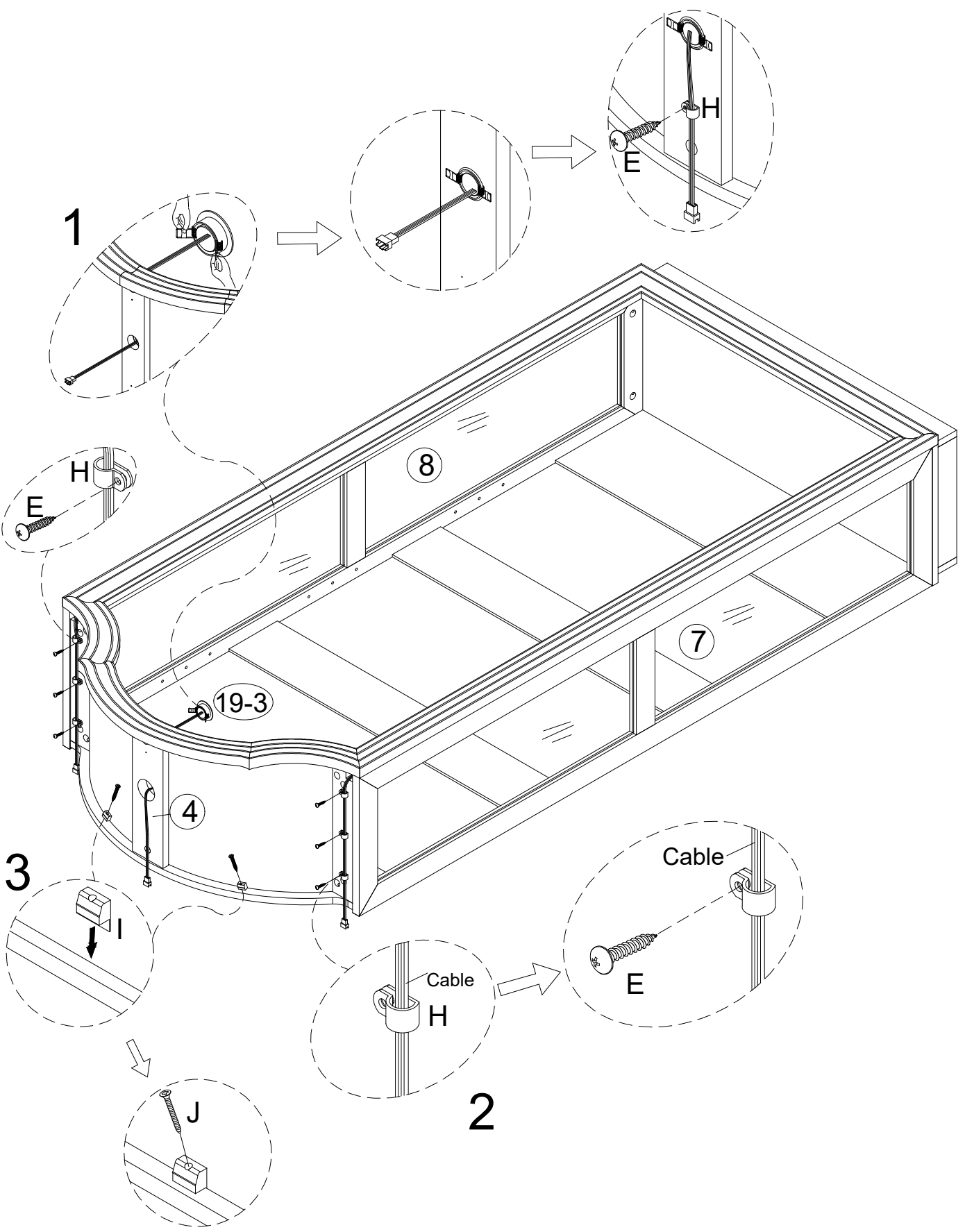


C
13 x




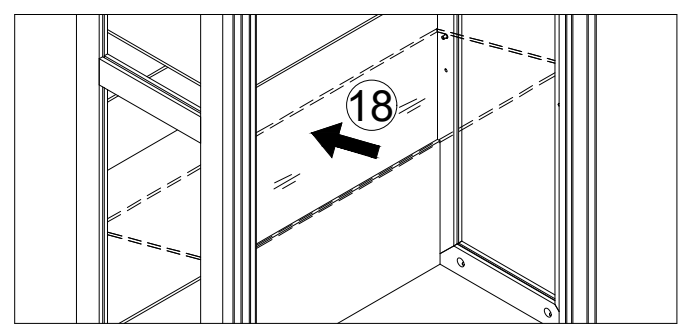
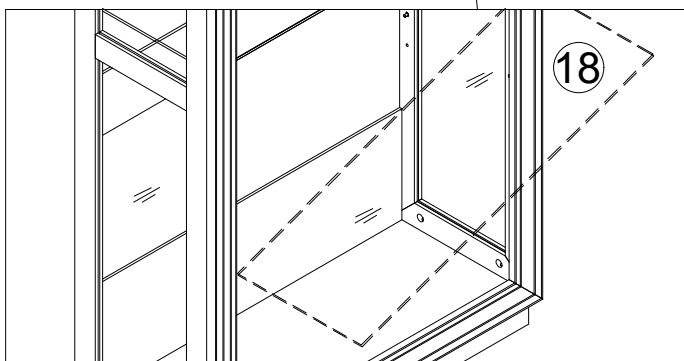
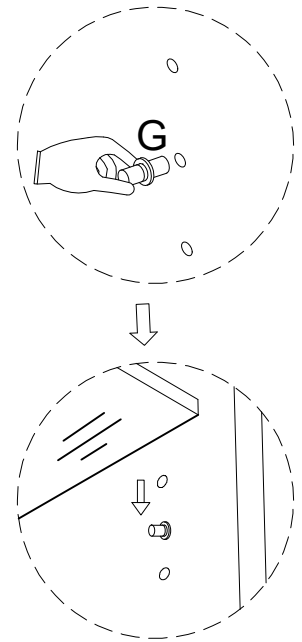
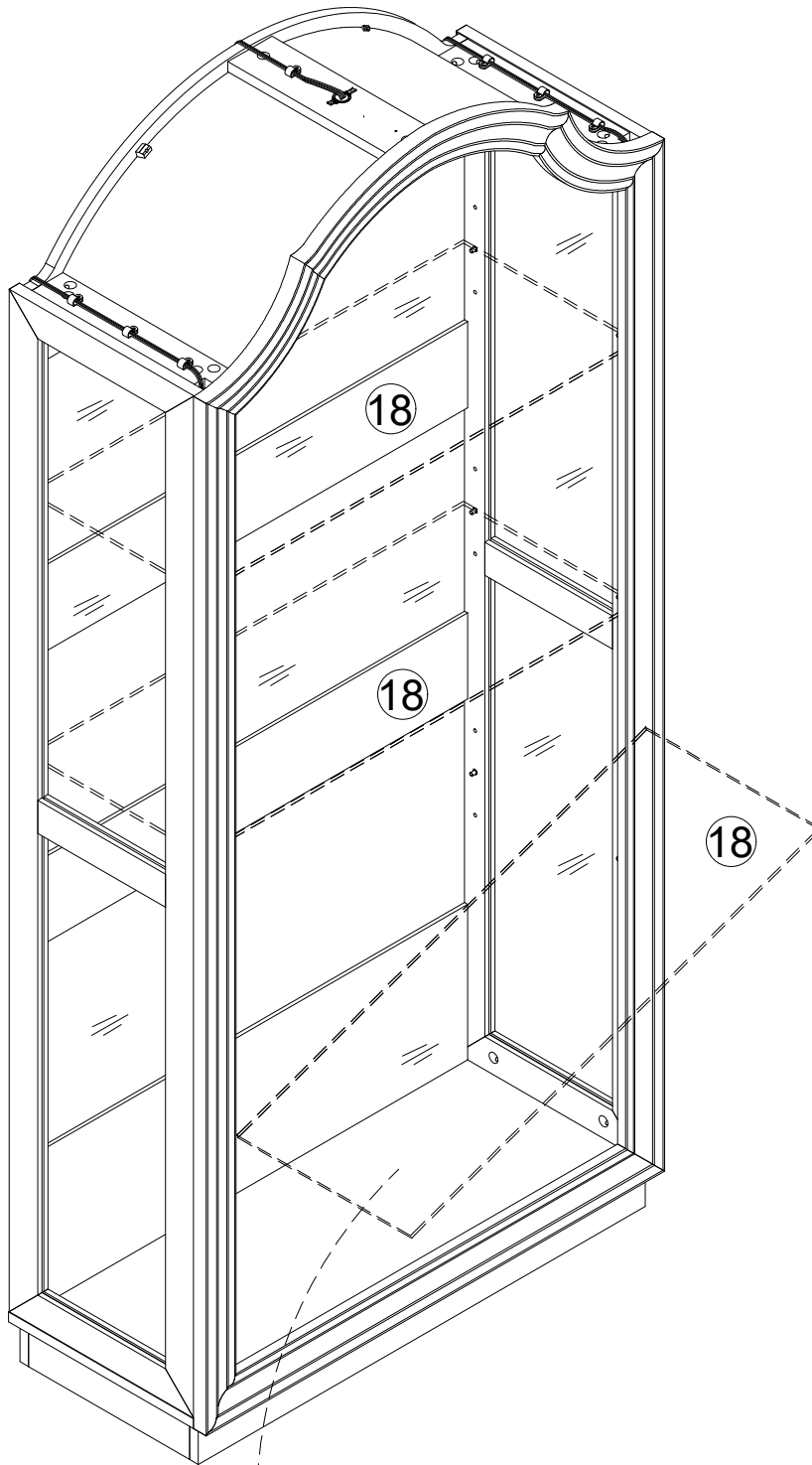
STEP
16

- | | | | | | | | |
|------------|--|------------|--|------------|--|------------|--|
| I |  | J |  | H |  | E |  |
| 2 x | | 2 x | | 7 x | | 7 x | |

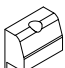


STEP
17


G
12 x 



STEP
18

I 
6 x

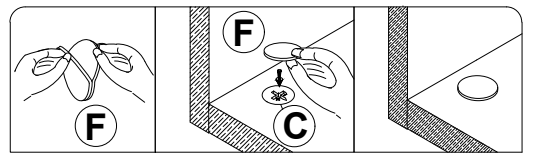
J 
6 x

H 
2 x

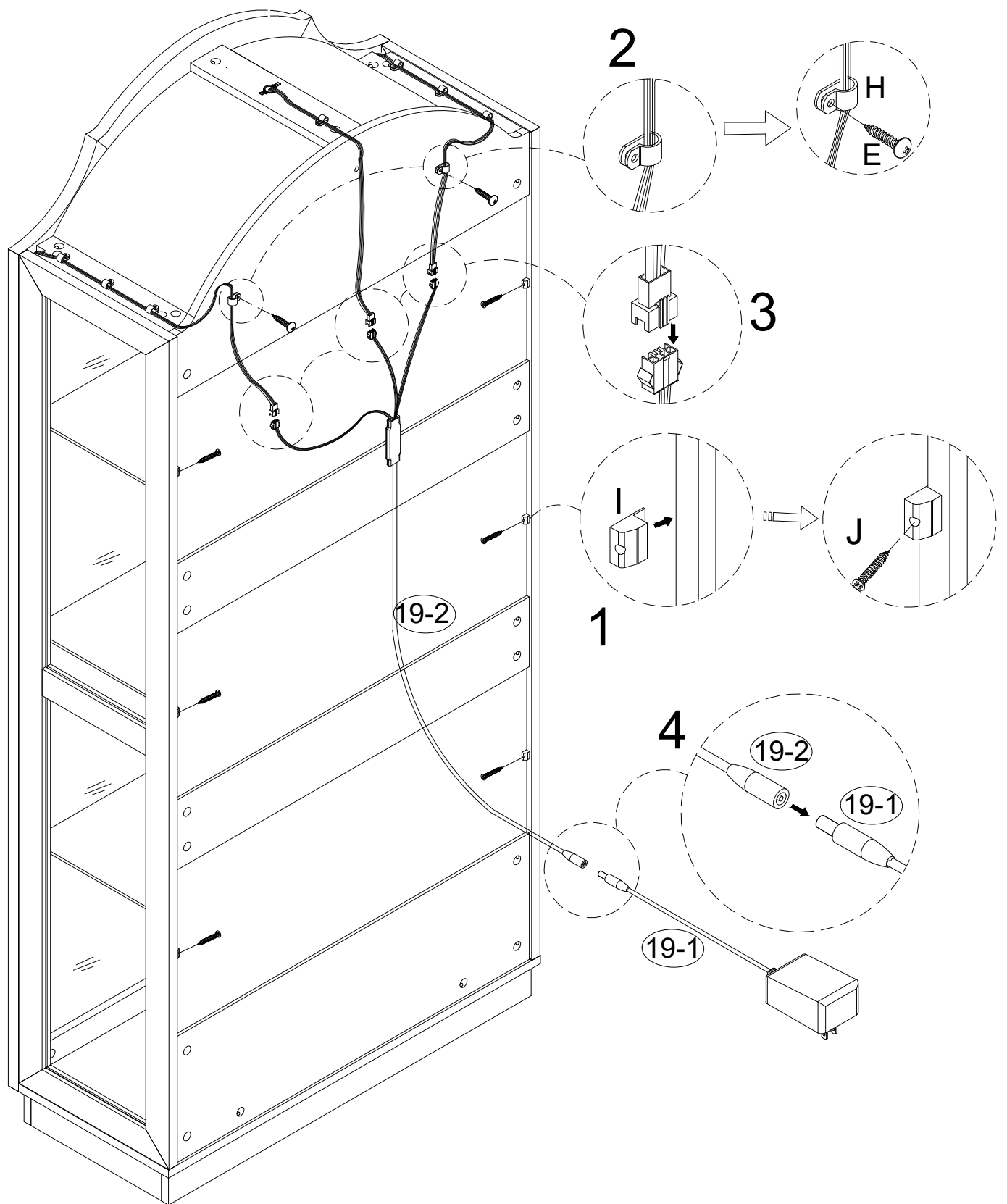
E 
2 x

F 
46 x

NOTE: Ensure the cabinet body is stable, please make sure to lock the plastic wedge.



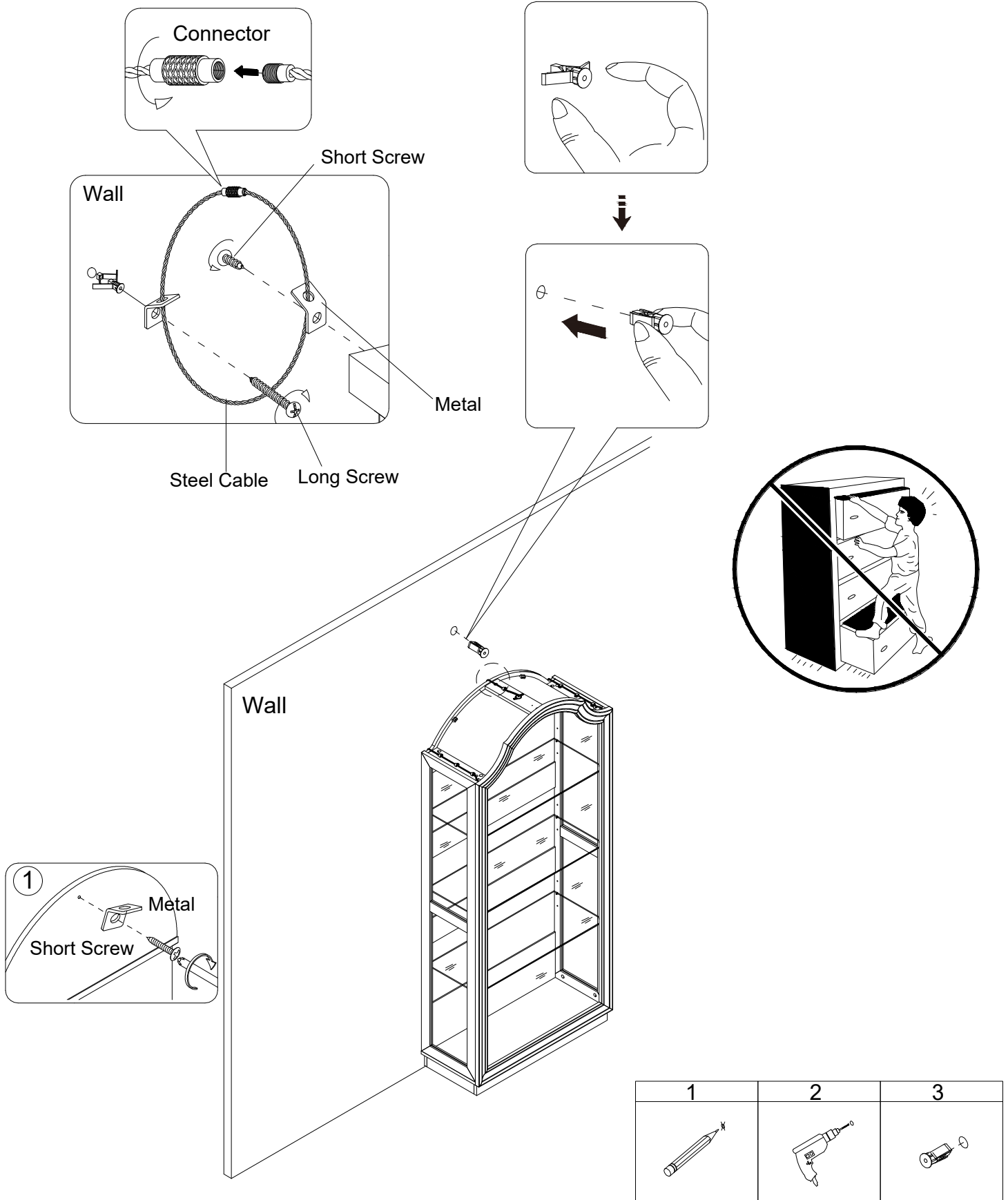
●Stick stickers (F) on cam locks(C).



STEP 19

WARNING

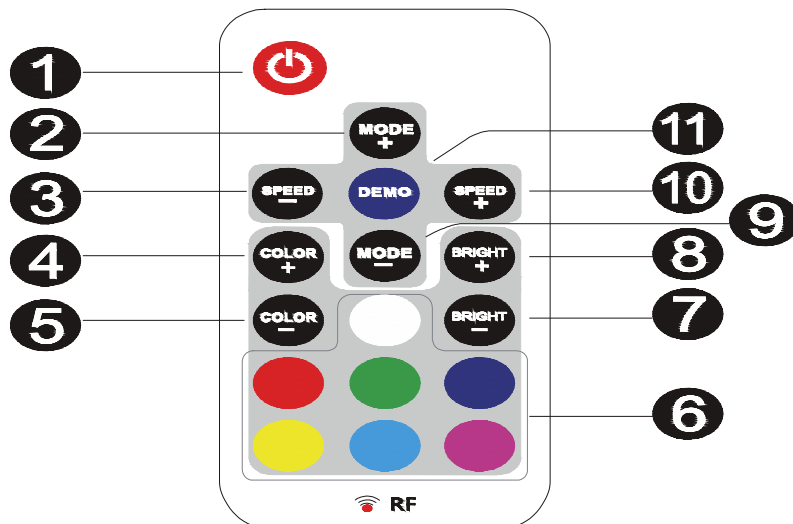
Serious or fatal injuries can occur from furniture tipping over. To prevent the furniture from tipping over we recommend that it is permanently fixed to the wall. Wall anchor and hardware are included with this product. Please make sure hardware is suitable for your walls before installing, as different wall materials may require different types of anchors.



Instructions

- 21 Dynamic Modes
- 20 Static Colors
- Very Smooth Effects
- Speed Adjustable
- Brightness Adjustable
- Card Type RF Remote
- Ultra Slim Design
- Easy Remote Pairing
- Direct Color Select

Functions



1.Turn On/Standby

Press this key to turn on unit or switch to standby mode. At power on, unit will automatically turn on and restore to previous status.

2/9.Dynamic Mode Adjust

Switch to dynamic mode from static color, or switch between dynamic modes.

3/10.Dynamic Speed Adjust

Adjust dynamic playing speed. Press SPEED+ to increase speed and press SPEED- to decrease. Unit will switch to dynamic mode if press this key at static color mode.

4/5.Static Color Adjust

Switch to static color mode from dynamic mode,or switch between static colors. 20 Static colors can choice

6.Direct color select

Shortcut key to static colors.When press the specific color key, LED will play the same static color.The direct colors are included in `COLOR+`and `COLOR-` operation.

7/8. Brightness Adjust

Adjust static color brightness. Press BRIGHT+ to increase brightness and press BRIGHT- to decrease .Unit will switch to static color mode If press this key at dynamic mode.

11.Demo Mode

press this key will switch to Demo mode . At demo mode, It`s will be retun the first model, 3 Colors flash.

Installing

1.Power Supply

This unit accepts DC 5V to 24V power supply.The DC jack`s inner pole (or red cable) is positive and sleeve(or black cable) is negative. Also please make sure the power supply voltage is same as the LED load.

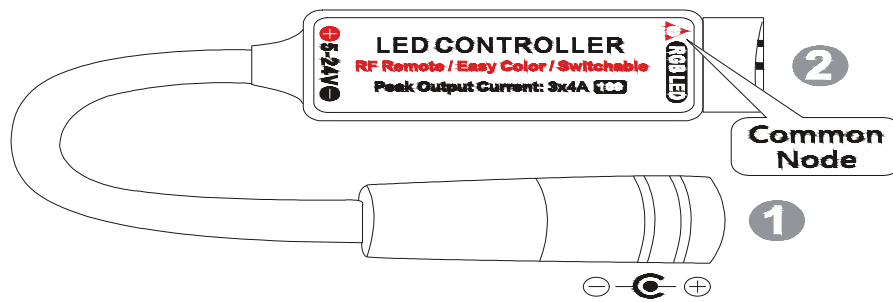
2.LED Output

This unit support common anode connection LED products.

The mark `▲` indicates the common connection node.

The peak output current is 4 amperes and maximum constant current is 2 amperes per channel. Please reduce load if main unit is overheating

CAUTION! Do not short circuit or overload the LED outputs,this may lead to permanent damage!



1. Using Remote Controller

Operation

Please pull out the battery insulate tape before using. The RF wireless remote signal can pass through barrier, so it's not necessary to aim at the main unit when operate.

For proper receiving remote signal, please do not install the main unit in closed metal parts.

4. Pairing New Remote

The remote and main unit is 1 to 1 paired as default. Further more, main unit can be paired to 3 remote controllers and each remote controller can be paired to any main unit.

Please do following steps to pair new remote controller:

- 1). Plug off the power of main unit and plug in after 5 seconds.
- 2). Press 'COLOR-' and 'BRIGHT-' key together in 5 seconds after power on. After this operation, the main unit will recognize the new remote controller.
- 3). After power on, Press Red color key few seconds, you can see the light flash white color.

Then the main unit will recognize any remote controller.

To pair the main unit back to specific remote.

Please repeat the 'Pairing New Remote' operation.

2.Free Remote Pairing Mode

In some specific cases; the main unit may need to be paired to any remote controllers. Please do following steps for free remote pairing mode;

1). Plug off the power of main unit and plug in after 5 seconds.

3.Switch Output Color Sequence

The controller`s default output signal sequence is Common-Green-Red-Blue. If the LED application is in different cable sequence,the direct color keys will not match the LED color.In this case,user can adjust the output signal sequence with following steps:

1).Plug off the power of main unit and plug in after 5 seconds.

2).Press'Green' color key together in 5 seconds after power on.

With this operation,the output sequence will switch between 6 possible combinations. The sequence will be memorized and it won't change before next same operation.

Specification

Dynamic mode	21 modes
Static Color	20 colors
PWM Grade	256 levels
Brightness Grade	8 levels
Speed Grade	8 levels
Direct Color Select	Yes
Working Voltage	DC 5~24V
Output Current	3x4A peak, 3x2A constant
Remote frequency	433.92MHz
Remote distance	>15m at open area

Care and Maintenance

- Use a soft, clean cloth that will not scratch the surface when dusting.
- Use of furniture polish is not necessary. Should you choose to use polish, test first in an inconspicuous area.
- Using solvents of any kind on your furniture may damage the finish.
- Never use water to clean your furniture as it may cause damage to the finish.
- Always use coasters under beverage glasses and flowerpots.
- Liquid spills should be removed immediately. Using a soft, clean cloth, blot the spill gently. Avoid rubbing.
- Always use protective pads under hot dishes and plates. Heat can cause chemical changes that may create spotting within the furniture finish.
- Stains or marks from crayons or ink markers will be difficult to remove.
- In the event that your furniture is stained or otherwise damaged during use, we recommend that you call a professional to repair your furniture.
- Check bolts/screws and nuts periodically and tighten them if necessary.

Caring for Wood Furniture

It is best to keep your furniture in a climate-controlled environment. Extreme temperature and humidity changes can cause fading, warping, shrinking and splitting of wood. It is advised to keep furniture away from direct sunlight as sun may damage the finish.

Proper care and cleaning at home will extend the life of your purchase. Following these important and helpful tips will enhance your furniture as it ages.