

36X55 INCH TRAMPOLINE ASSEMBLY AND INSTALLATION MANUAL

Manufacturer: Jiangsu
Baoliang Sports Equipment Co., Ltd
Address: No. 2 Renmin Road, Yinji
Jinhu County, Jiangsu Province, China

IMPORTANT INFORMATION

Prior to using the trampoline, you must read all the instructions contained in this manual. All information, including the warnings instructions for care, maintenance, and use of the trampoline are intended to promote safe, enjoyable use of the trampoline.

WARNING - GENERAL

- Overhead clearance is essential. A minimum of 24 feet of overhead clearance from ground level is required.
- Provide clearance for wires, tree limbs, and other possible hazards.
- Lateral clearance is essential. Place the trampoline away from walls, fences, structures, and other play areas. Maintain a clear space on all sides of the trampoline.
- Place the trampoline on a stable level surface before use.
- The area under the trampoline surface should be free and clear of any objects or obstructions.
- Use the trampoline in a well-lit area. Artificial illumination may be required for indoor or shady areas.
- Secure the trampoline against unauthorized and unsupervised use.
- Remove any obstructions from beneath the trampoline.
- The owner and supervisors of the trampoline are responsible for all users to be aware of the practices specified in the use instructions.
- This product is not intended for use by children under 6 years of age. Restrict usage to one person at any time. Maximum weight limit is 110 lbs(50kgs).
- Prior to each use, inspect the trampoline for any worn, defective, misadjusted or missing parts. Ensure the frame padding is correctly and securely positioned.

WARNING - USAGE

- DO NOT attempt or allow somersaults. Landing on the head or neck can cause serious injury, paralysis, or death, even when landing on the middle of the bed.
- Do not allow more than one person on the trampoline. Use by more than one person at the same time can result in serious injury.
- Use trampoline only with mature, knowledgeable supervision at all times.
- Inspect the trampoline before each use. Make sure the frame padding is correctly and securely positioned. Replace any worn, defective, or missing parts.
- Climb on and off the trampoline. It is a dangerous practice to jump from the trampoline to the floor or ground when dismounting, or to jump onto the trampoline when mounting. Do not use the trampoline as a springboard to other objects.
- Stop bounce by flexing knees as feet come in contact with the trampoline bed. Learn this skill before attempting others.
- Learn fundamental bounces and body positions thoroughly before trying more advanced skills. A variety of trampoline activities can be carried out by performing the base fundamentals in various series and combinations, performing one fundamental after another, with or without feet bounces between them.
- Avoid bouncing too high. Stay low until bounce control and repeated landing in the center of the trampoline can be accomplished. Control is more important than height.
 - While keeping the head erect, focus eyes on the trampoline toward the perimeter. This will help control bounce.
- Avoid bouncing when tired. Keep turns short.
- Properly secure the trampoline when not in use. Protect it against unauthorized use.
- Keep objects away that could interfere with the performer. Maintain a clear area around the trampoline.

WARNING - USAGE

- For information concerning skill training, contact a certified trampoline instructor.
- Bounce only when the surface of the bed is dry. Wind or air movement should be calm to gentle. The trampoline must not be used in gusty or severe winds.
- Read all instructions before using the trampoline. Warning and instructions for the care, maintenance, and use of this trampoline are included to promote safe, enjoyable use of the equipment.
- Remove any sharp or loose objects from pockets or on your body prior to use, including such as glasses, watches, jewelry, chains, ornaments, clasps and other sharp objects.
- Ensure the trampoline and surrounding areas are properly illuminated.
- Do not put any objects on, under or around the trampoline.
- Shoes should not be worn while jumping on the trampoline. Jumpers should be barefoot, or wearing socks or gymnastics shoes.
- Serious injury can occur from misuse or abuse of the trampoline. Bounce in the center of the bed.

CARE, MAINTENANCE AND USE INSTRUCTIONS MUST BE READ CAREFULLY PRIOR TO USING THE TRAMPOLINE!

This Trampoline is constructed of high quality materials and craftsmanship. For years of exercise, fun and enjoyment and to reduce the risk of injury to the user, follow all required care and maintenance instructions closely listed below:

- Only one jumper should use the trampoline at any time.
- Do not allow pets on the trampoline in order to help prevent cuts, scrapes, tears or other types of damage to the mat or pad.
- Inspect the trampoline before each use and replace any worn, defective, or missing parts. Any number of issues can raise the risk of injury.
- The following conditions could represent potential hazards:
 1. Missing, improperly positioned, or insecurely attached frame padding
 2. Punctures, frays, tears, or holes worn in the bed or frame padding
 3. Deterioration in the stitching or fabric of the bed or frame padding
 4. Ruptured springs
 5. A bent or broken frame
 6. A sagging mat
 7. Sharp protrusions on the frame or suspension system

IF ANY OF THE PREVIOUS CONDITIONS ARE FOUND, OR ANY OTHER ISSUES YOU FEEL MAY BE HARMFUL TO THE USER, THE TRAMPOLINE SHOULD BE IMMEDIATELY DISASSEMBLED OR SECURED FROM ANY FUTURE USE UNTIL THE ISSUE(S) HAVE BEEN RESOLVED.

You must check all the parts of the trampoline including the frame, suspension system, mat, pad, and enclosure at regular intervals. If these checks are not carried out, the trampoline could become dangerous. It is of particular importance that these be followed at the beginning of each season, as well as at regular intervals during the usage season.

- Check all nuts and bolts for tightness and tighten as required.
- Check all coverings for bolts and sharp edges and replace when necessary.
- Check for evidence of wear and tear or deterioration and damage. Replace any parts as needed.

HIGH WIND ADVISORY

Please keep in mind, this trampoline can be blown around by high winds. During times of high winds, the trampoline should be moved indoors to a sheltered location.

PRECAUTIONS AND INSTALLATION COMPONENTS

Owner's & Supervisor's Role in Preventing Injuries & Responsibilities

The supervisor's role is to make sure the users know all the safety rules as well as learn the basic, fundamental bounces. They need to enforce all the safety rules and warnings in the manual, frame and labels. When a supervisor is not available, the trampoline may be dis-assembled or covered to limit access. It is the supervisor's responsibility that the placards with the Trampoline Safety Tips and Enclosure Safety tips are reviewed and all jumpers are informed about the tips.

User's Role in Preventing Injuries & Responsibilities

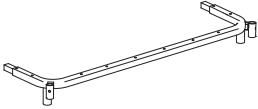
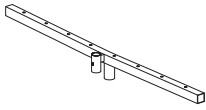
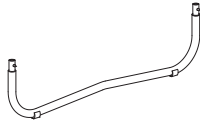
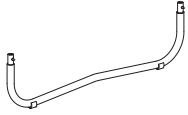

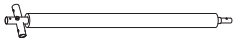
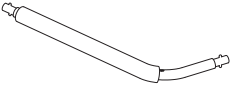
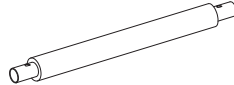
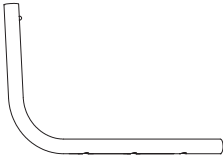
The jumper must first learn all of the basic, fundamental bounces before attempting more difficult ones. Low, controlled bounces are a good start before learning the basic landing positions and combinations. Jumpers need to understand that control is key to a successful jump. Following the tips in the placard is important. Contact a certified trampoline instructor for more information.

TRAMPOLINE & ENCLOSURE ASSEMBLY

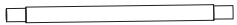
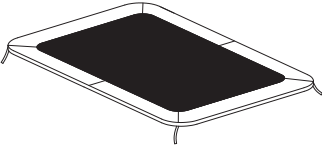
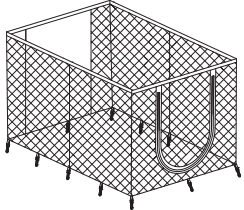
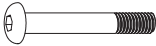
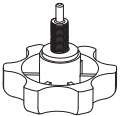

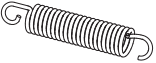
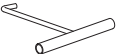
Refer to PARTS LIST for identification of parts

! **WARNING:**
CHOKING HAZARD – Small parts
Not for children under 3 yrs

TRAMPOLINE PARTS


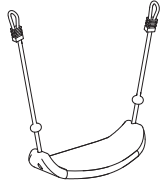
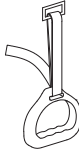



NO.	Pictures	Part Name	Quantity
1		Top Rail 1	2
2		Top Rail 2	2
3a		Feet tube 1	1
3b		Feet tube 2	2
4		Net pole 1	4
5		Net pole 2	2
6		Upper ring tube	4
7		Upper ring tube	2
8		Crossbeam corner	2

TRAMPOLINE PARTS

NO.	Pictures	Part Name	Quantity
9		Crossbeam	1
10		Jumping mat with frame cover	1
11		Safety net	1
12		M6 screw bolt	4
13		Knob	2
14		Wrench	1
15		Spring	36
16		Spring tool	1

TRAMPOLINE PARTS

ACCESSORIES:

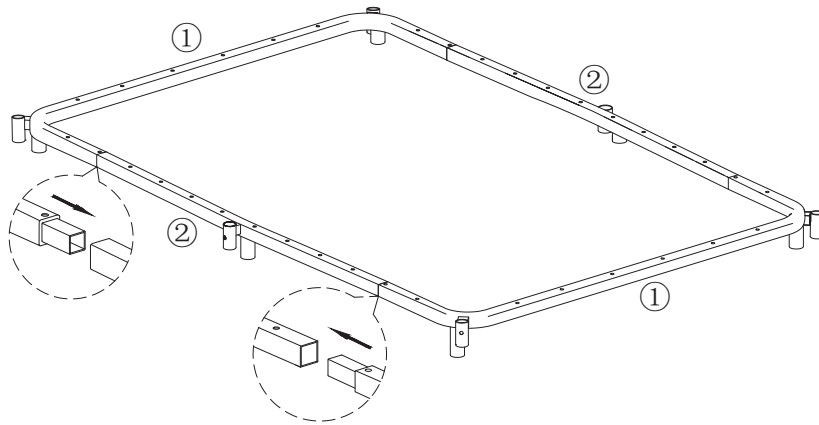
NO.	Pictures	Part Name	Quantity
a		Basketball board	1
b		Swing	1
c		Ring	2
d		Ball	1
e		Inflator	1
f		Ocean ball	15

ASSEMBLY INSTRUCTIONS

Warning Two adults are recommended to complete assembly.

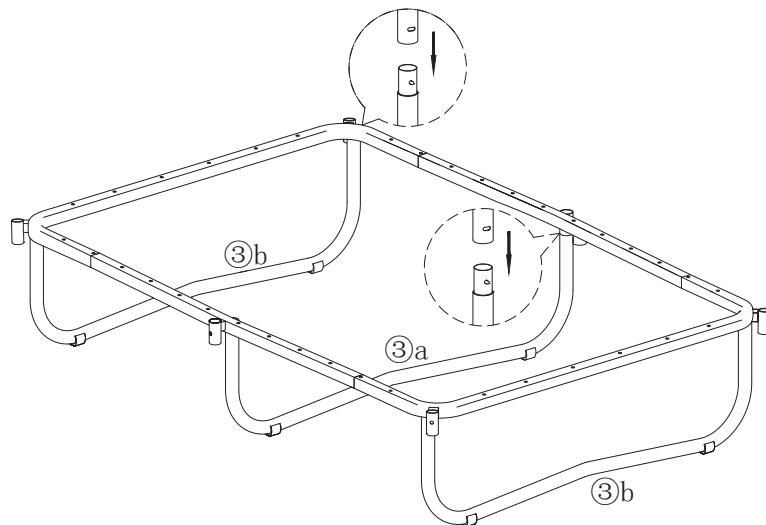
STEP 1

Put top rail 1 and 2 together.



STEP 2

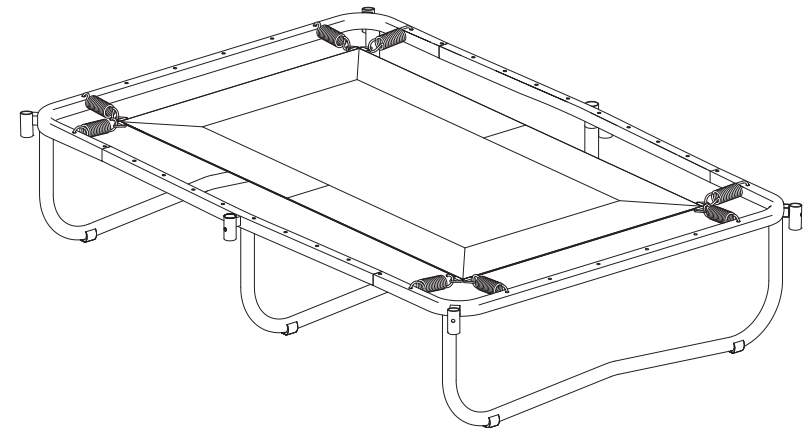
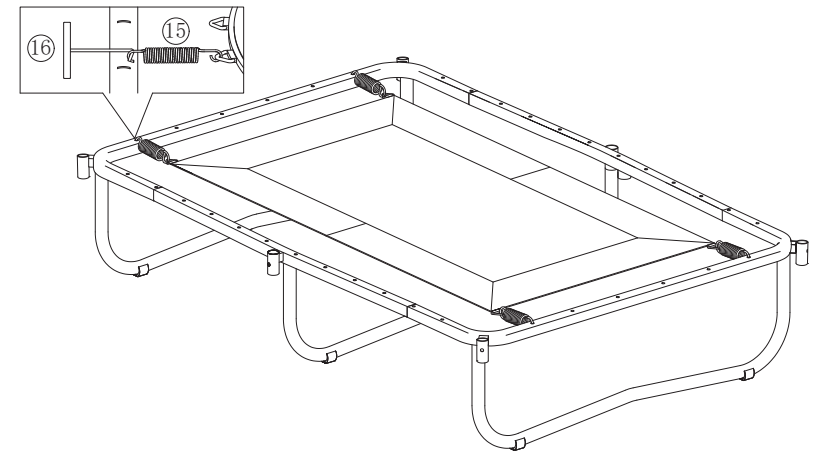
Attach the foot tubes 3a and 3b to the top rail.



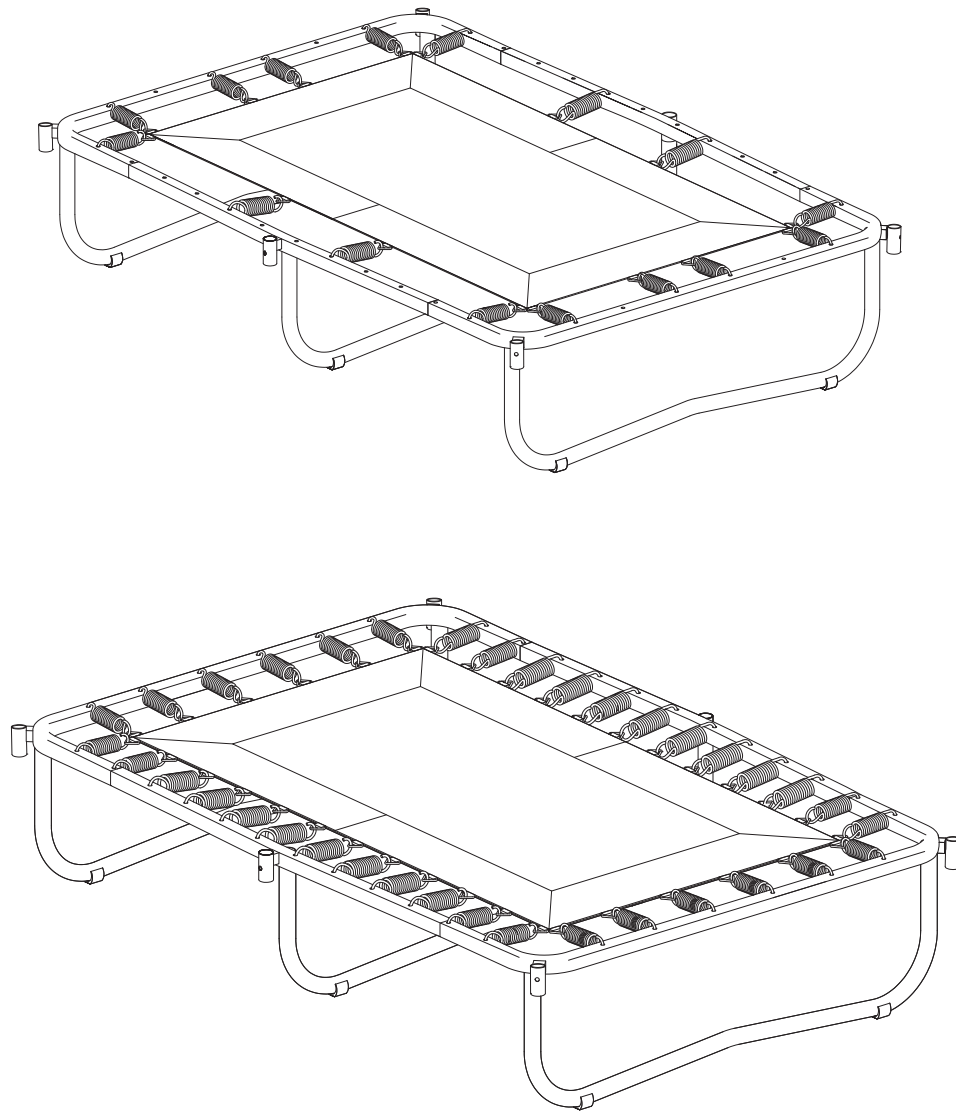
ASSEMBLY INSTRUCTIONS

STEP 3

Attach the spring with spring tool.



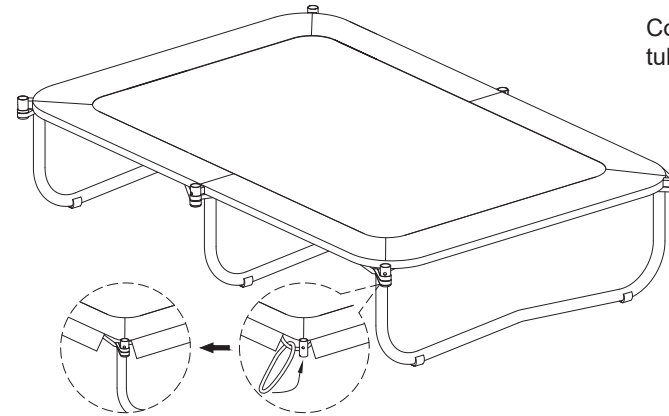
ASSEMBLY INSTRUCTIONS



ASSEMBLY INSTRUCTIONS

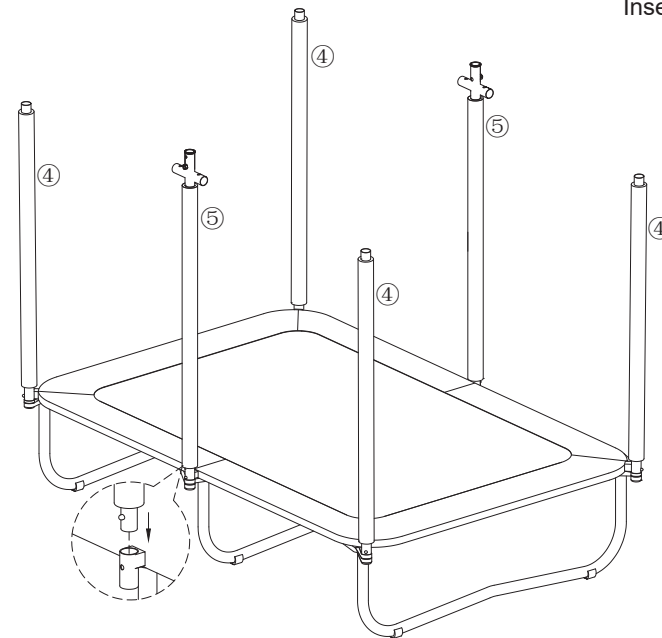
STEP 4

Connect the frame cover to the short tube by the elastic ropes



STEP 5

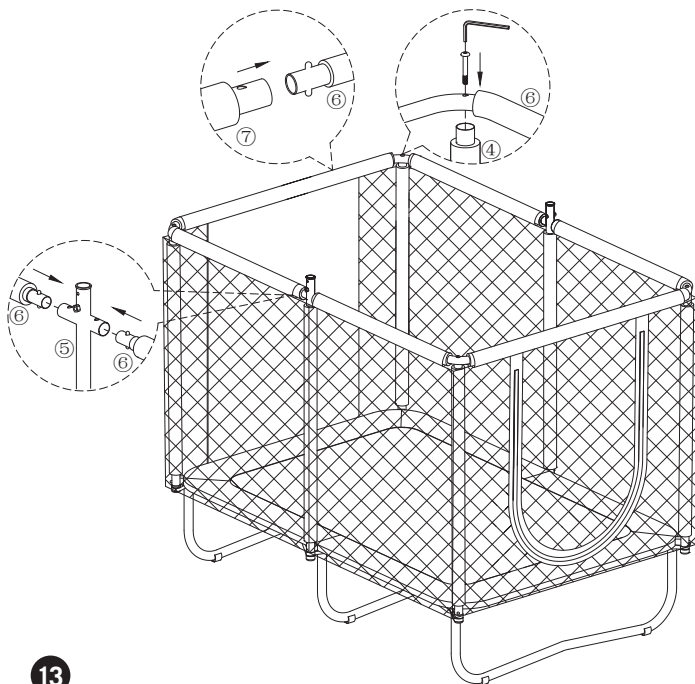
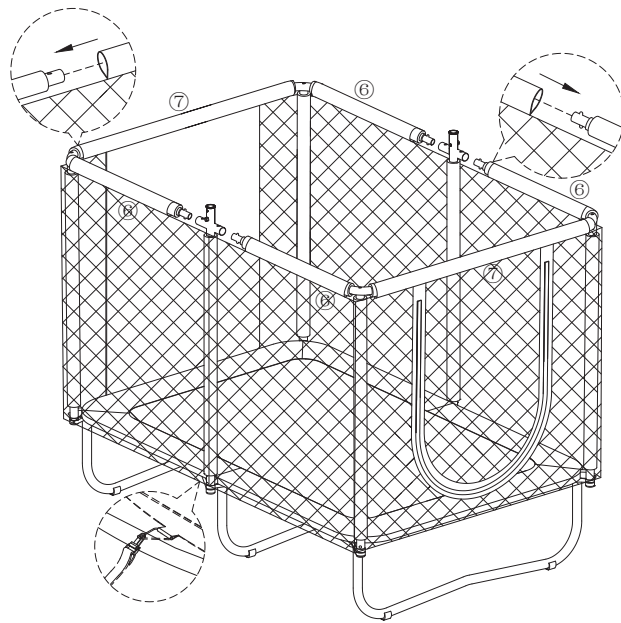
Insert the net pole into the short tube.



ASSEMBLY INSTRUCTIONS

STEP 6

Put on the safety net, then hook the loop of the jumping mat. Put the upper ring tube into the sleeve.



ASSEMBLY INSTRUCTIONS

STEP 7

