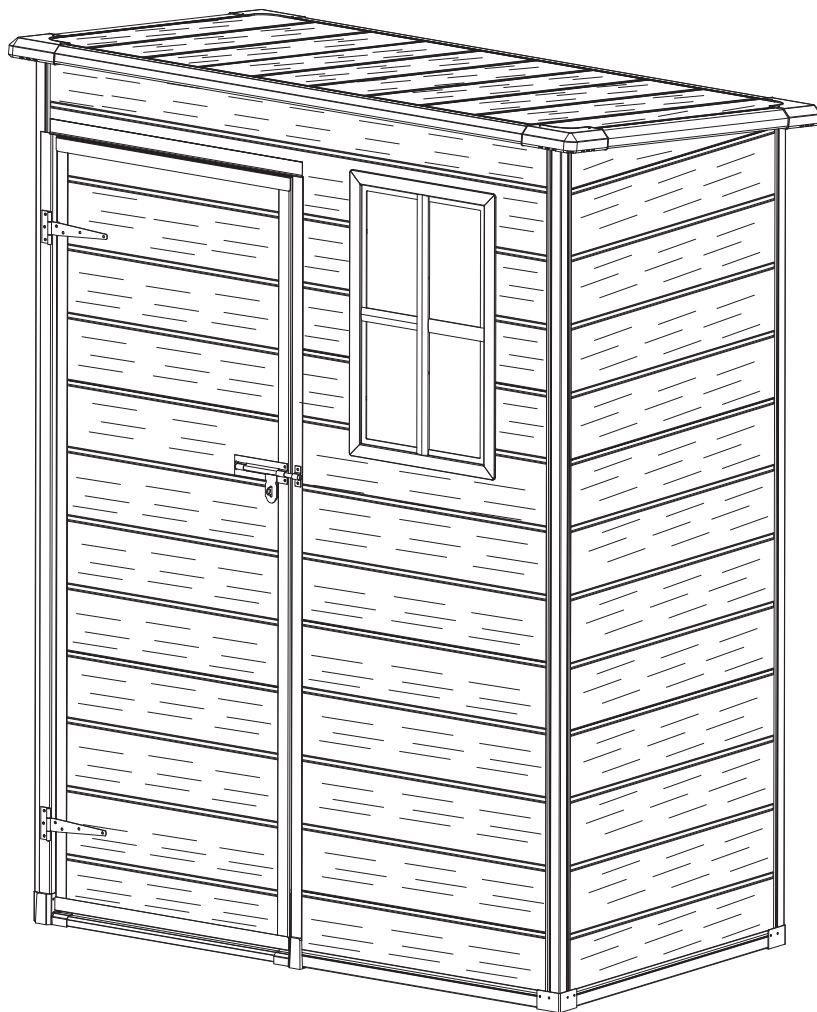


NBSS004G53

5FTx3FT Resin Storage Shed

If you have any questions about the product, please feel free to contact us.

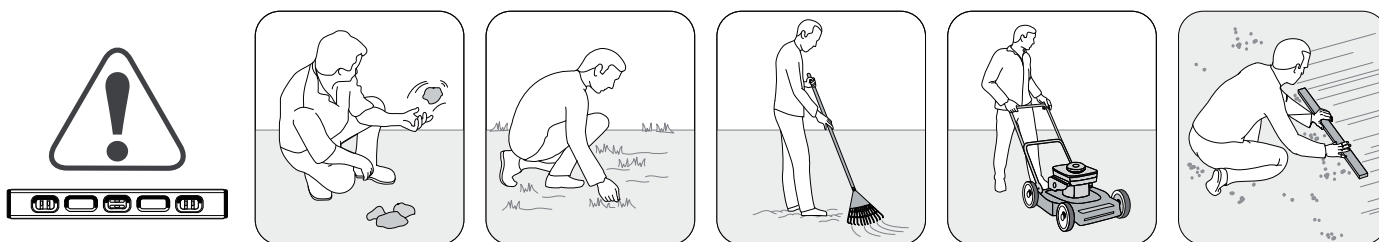
E-Mail: Patiofurniture Serviceteam@outlook.com



After-sales mailbox:
Patiofurniture Serviceteam@outlook.com

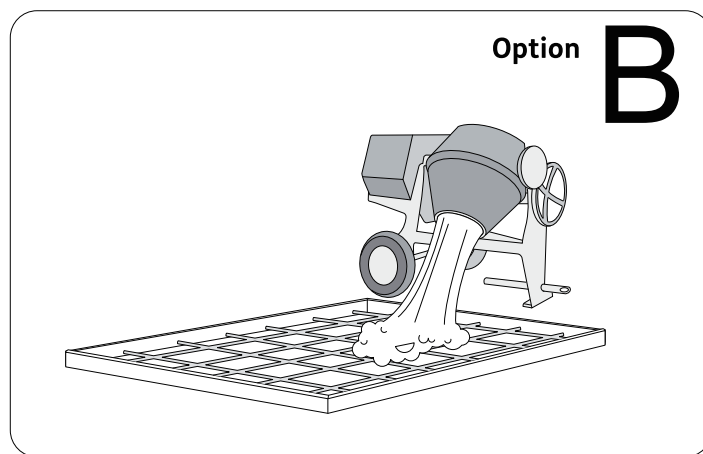
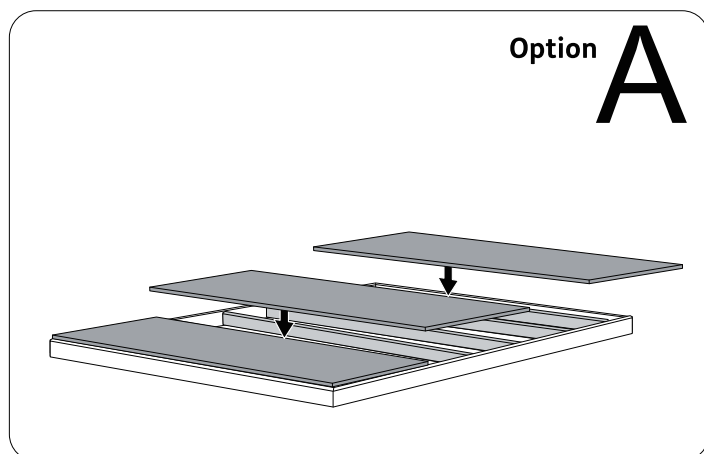
INSTALLATION PREPARATION

Before Before You Begin...



Before You Begin...

1. Check your local building codes regarding footing, location, etc.
2. Select a site that allows enough working space around the shed.
3. Determine building foundation and anchor system.
4. Read and understand the Owner's manual enclosed in the package.
5. Follow all directions and dimensions thoroughly.
6. Follow the steps given in the manual carefully for correct assembly.
7. Make sure all parts are present before you start assembling.
8. **BE SAFE:** Follow safety instructions and avoid injury. (See inside page).
9. **GROUND MUST BE EVEN:** Make sure the foundation frame lies flat on the ground. If the earth bed is uneven, remove the sod and other debris and level it with a flat shovel.
10. Separate contents of the carton by the part number and review the list. Be sure you have all the necessary parts for your shed. Refer Owner's manual for the part list.



For ensuring the stable construction of the shed, you can choose the above two suggestions

Option A: Build a wooden foundation and mount the shed on it

Option 2: Build a concrete foundation and install the shed on it

Remember: it is best to put heavy objects inside the shed to prevent the shed from being blown away by strong winds

SAFETY & PRECAUTIONS

Before You Begin...

1. Check your local building codes regarding footings, location, etc.
2. Select a site that allows enough working space around the shed.
3. Determine building foundation and anchor system.
4. Read and understand the Owner's manual enclosed in the package.
5. Follow all directions and dimensions thoroughly.
6. Follow the steps given in the manual carefully for correct assembly.
7. Make sure all parts are present before you start assembling.
8. BE SAFE: Follow safety instructions and avoid injury. (See inside page).
9. GROUND MUST BE EVEN: Make sure the foundation frame lies flat on the ground.

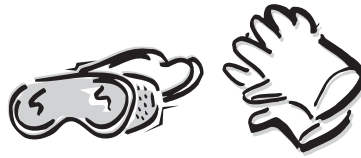
If the earth bed is uneven, remove the sod and other debris and level it with a flat shovel.

10. Separate contents of the carton by the part number and review the list. Be sure you have all the necessary parts for your shed. Refer Owner's manual for the part list.

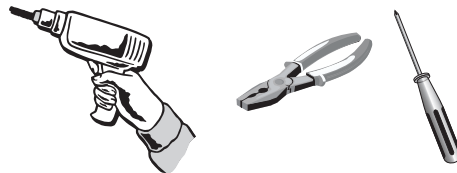


For your own safety, please read and follow these instructions during the shed assembly.

1. Always wear work gloves, long sleeves and eye protection during assembly of the shed. Some pieces of the shed contain sharp edges and can cause injury.



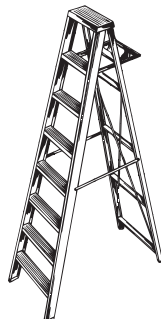
2. Be cautious with the tools used for the assembly of the shed. Familiarize yourself with the operation of all the power tools.



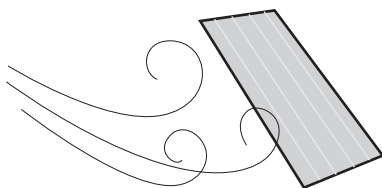
3. Children and pets should be kept away from the assembly site to avoid any distractions and accidents.



4. When using a step ladder, make sure it is on even ground and fully open with the safety latch in place. Never concentrate your full weight on the roof or any part of the shed.

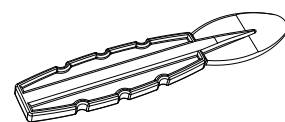


5. Do not attempt to assemble the shed on a windy day. Shed panels can be whipped across by the wind making the worksite difficult and dangerous.



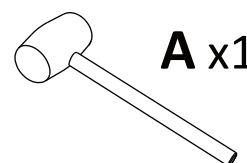
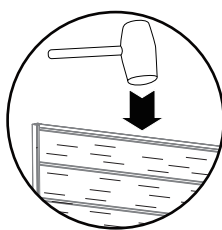
SPATULA

• Use spatula (part “**SG8**”) for easier insertion of panel into profile.

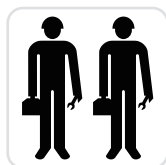


SG8 x2

• Tap lightly with a hammer (part “**A**”) to bring the components together tightly.



A x1



ASSWMBLY REQUIRES 2-3 PEOPLE

Care & Maintenance

Although this unit does not require any maintenance, care should be taken to prolong the life of your shed.

ROOF: Keep the roof clean of leaves and snow with a long-handled, soft-bristled broom. Heavy amounts of snow on the roof can damage the shed making it unsafe. Do not step on the roof.

WALLS: Do not rest any object against the wall panels of the shed.

DOORS: Keep doors closed to prevent wind damage.

FASTENERS: Regularly check your shed for loose screws, bolts, nuts, etc. And retighten them as necessary.

MOISTURE: With changing temperatures, condensation will accumulate inside the shed. Good ventilation will help in regulating and avoid moisture.

TIP: A noncorrosive caulking is helpful to seal the shed.



DO NOT store swimming pool chemicals in your building.
Combustibles and corrosive must be stored in airtight containers.

PARTS

AW1-1



6 PCS

AW1-2



1 PC

AW1-3



1 PC

AW2-1



1 PC

AW2-2



1 PC

AW2-3



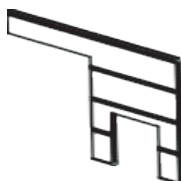
1 PC

AW3-1



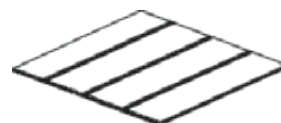
3 PCS

AW3-3



1 PC

AD1-1



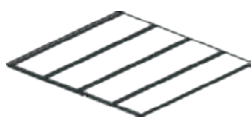
1 PC

AD1-2



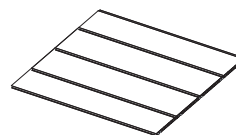
1 PC

AD1-3



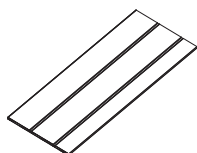
1 PC

AF2-1



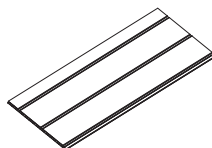
1 PC

AF2-2



1 PC

AF2-3



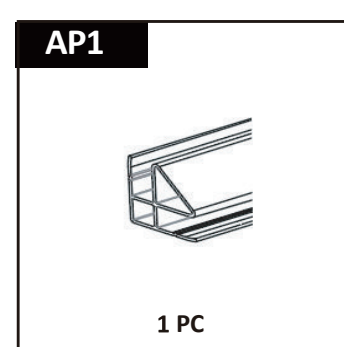
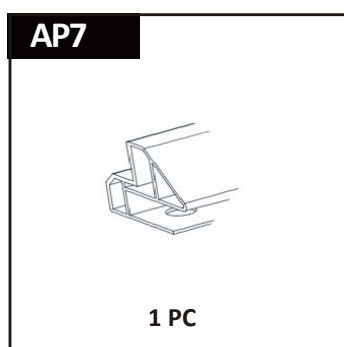
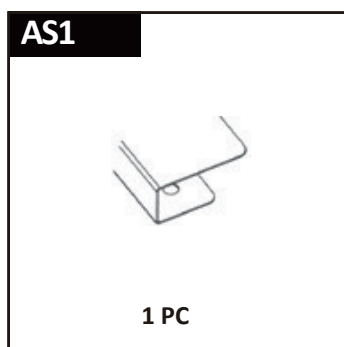
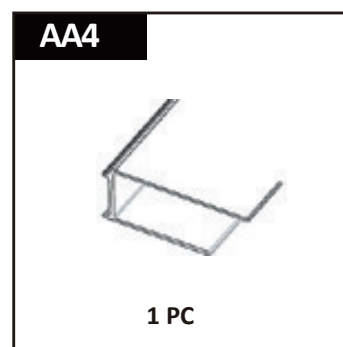
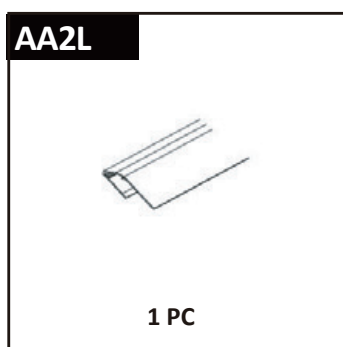
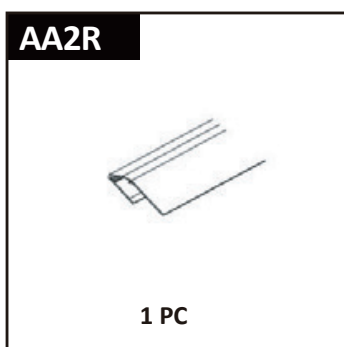
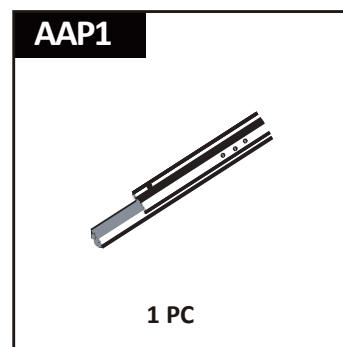
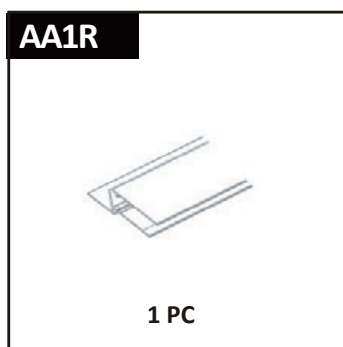
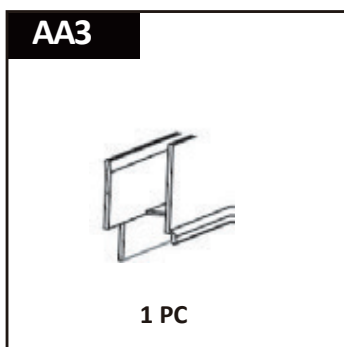
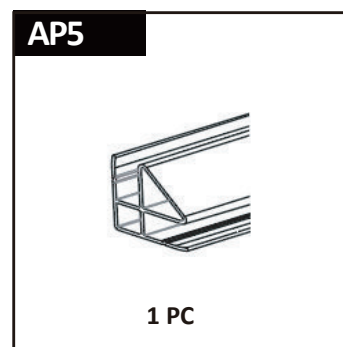
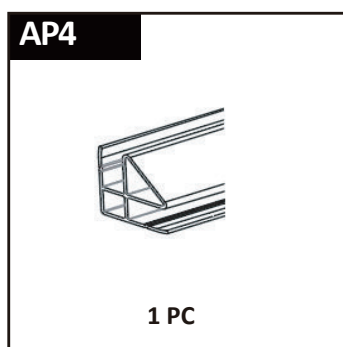
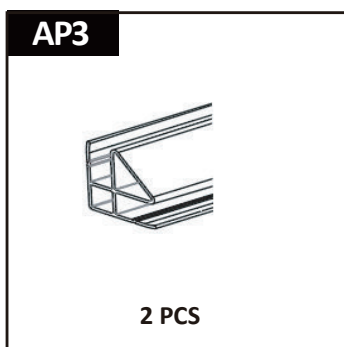
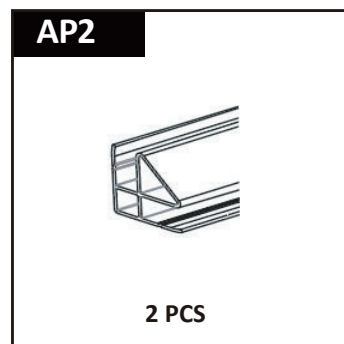
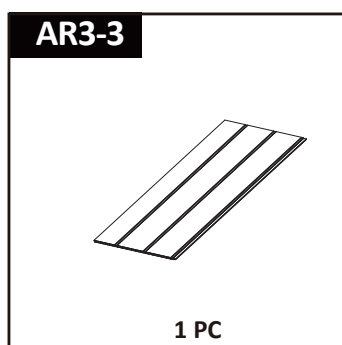
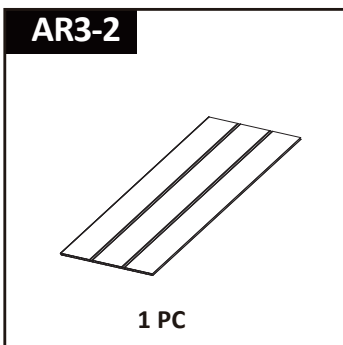
1 PC

AR3-1



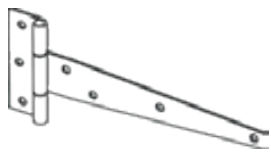
1 PC

PARTS



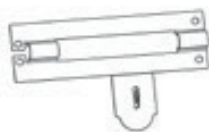
PARTS

M01



2 PCS

M03-6R



1 PC

M03-7



1 PC

M04



1 PC

SG8



2 PCS

SG9



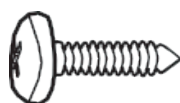
3 PCS

DRILL



1 PC

Z410



47 PCS

Z420



86 PCS

ZW413



12 PCS

SG14



4 PCS

AP8



2 PCS

AP9



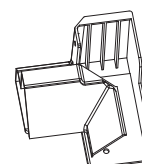
2 PCS

SG7-2



1 PC

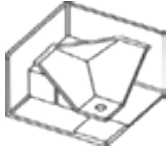
SG7-3



1 PC

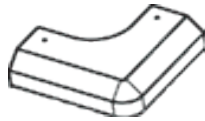
PARTS

SG6



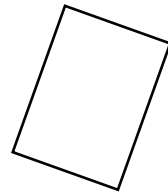
3 PCS

SG2



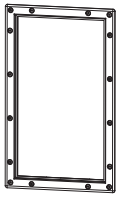
4 PCS

SG101



1 PC

SG102



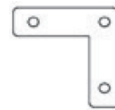
1 PCS

SG10




1 PC

SG12

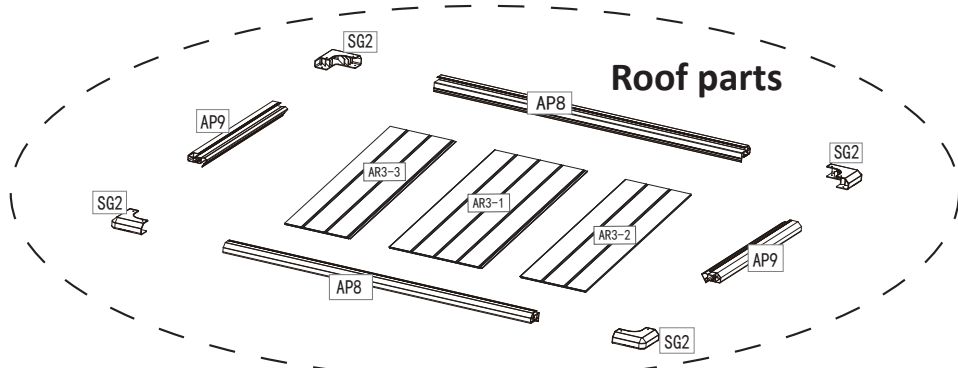


1 PC

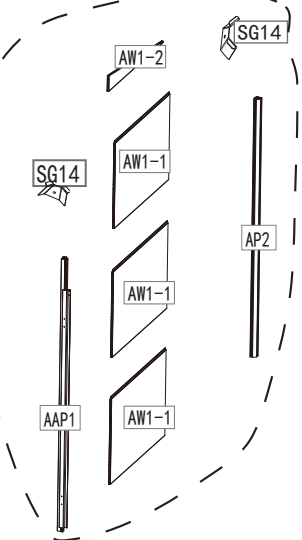
- Use spatula  (part "SG8") for easier insertion of panel into profile
- Please ensure the panels are all installed on position before screwing
- Please be mindful of the screw size used during installation; using screws that are too long may damage the shed.



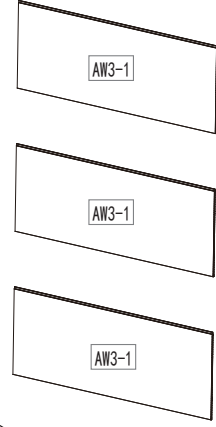
PARTS SCHEMATIC



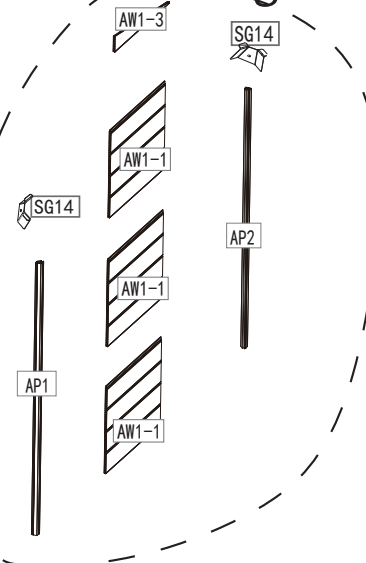
Left



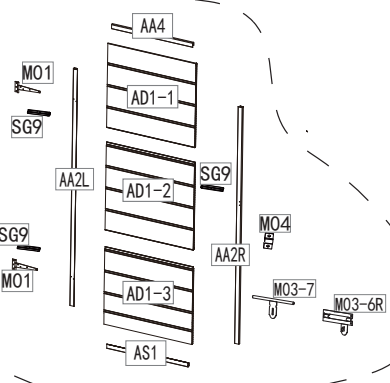
Rear side



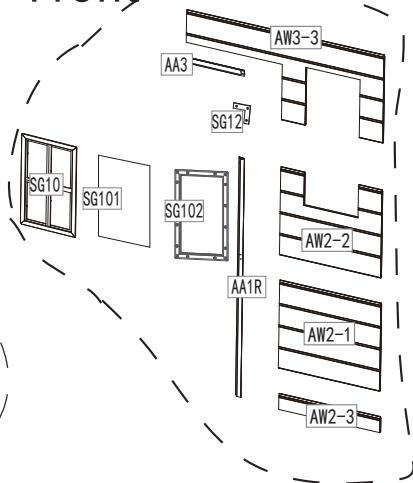
Right



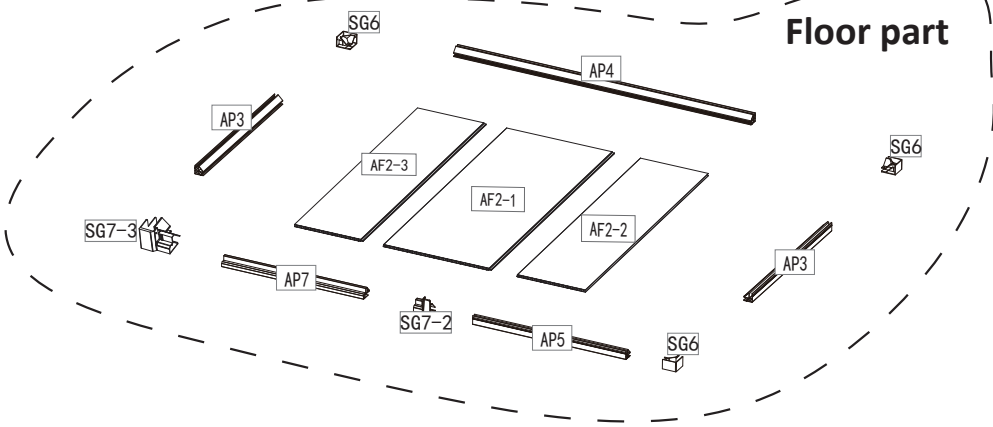
Door



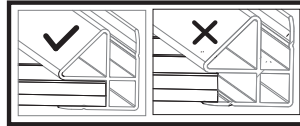
Front



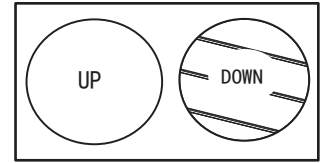
Floor part



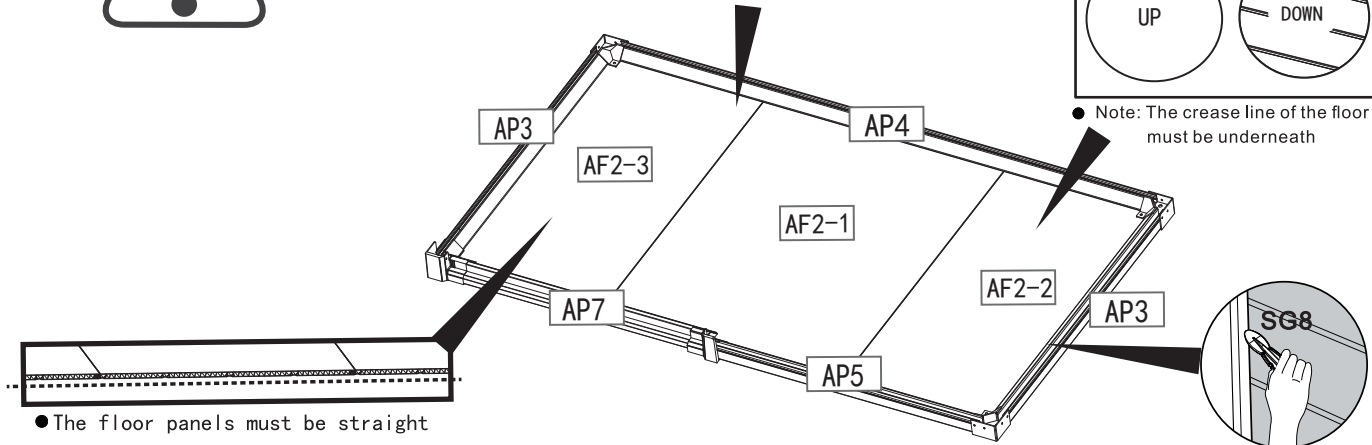
Floor Assembly



● Fully fit the panel inside the profile



● Note: The crease line of the floor must be underneath

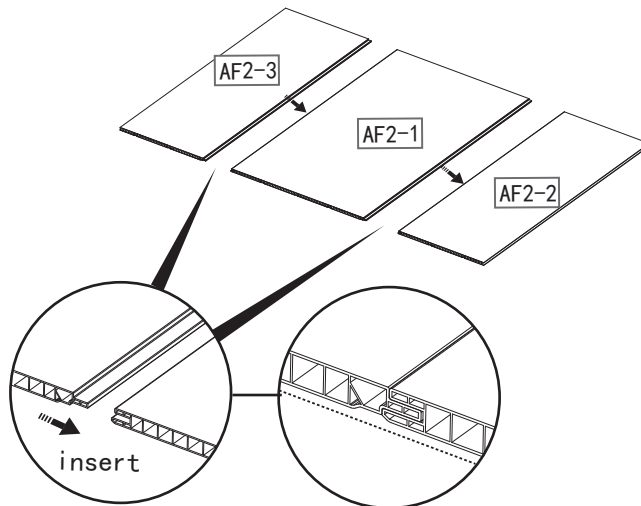


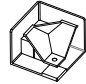

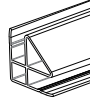
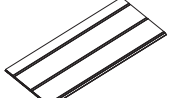
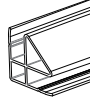
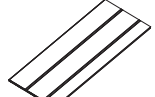
● The floor panels must be straight

● Use spatula (part "SG8") for easier insertion of panel into profile

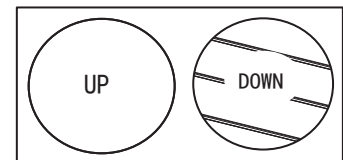
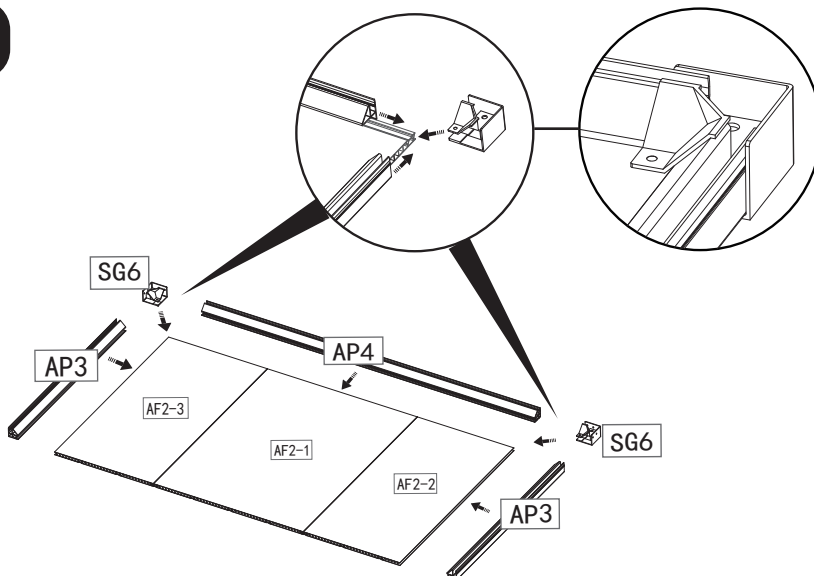
Step 1

1

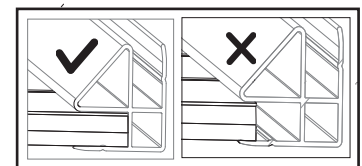


SG6  2 PC	AF2-1  1 PC
AP3  2 PC	AF2-3  1 PC
AP4  1 PC	AF2-2  1 PC

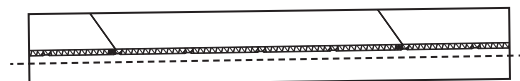
2



● Grain should be down

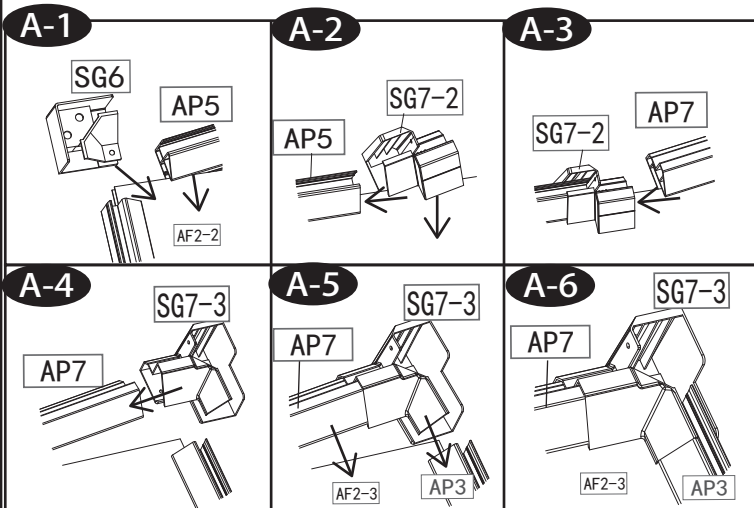



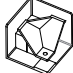



● Fully fit the panel inside the profile

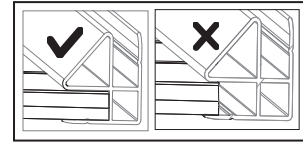


● Panels are in a straight line after installation.

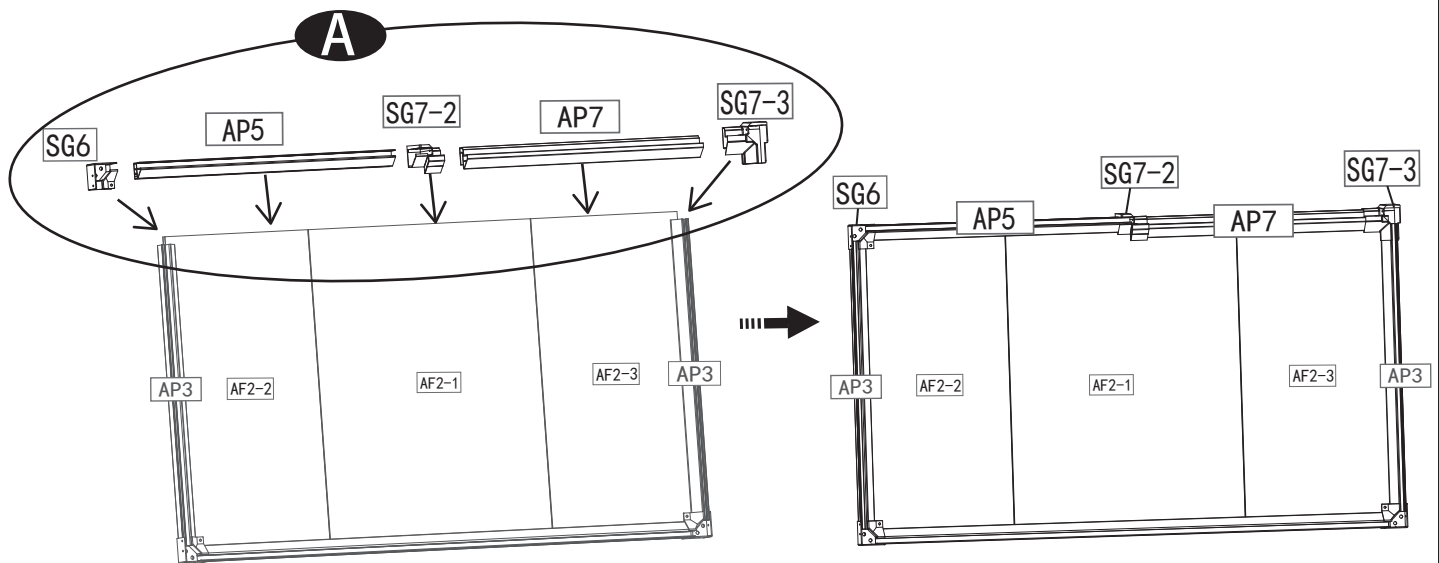
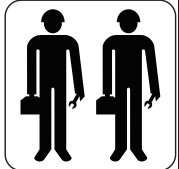
Step 2



SG7-3  1 PC	SG6  1 PC	AP5  1 PC
	SG7-2  1 PC	AP7  1 PC

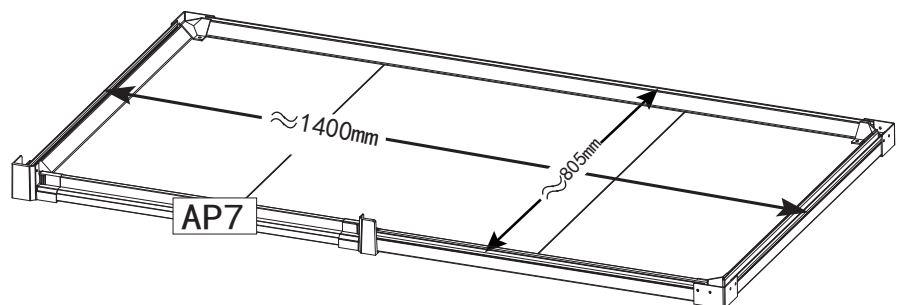
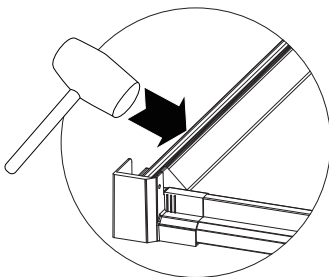


● Fully fit the panel inside the profile



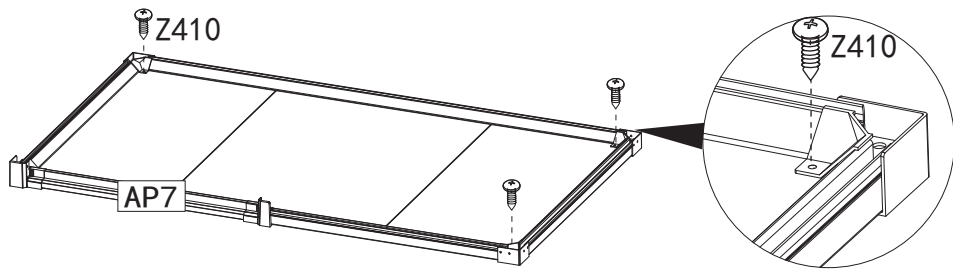
Step 3

● Before locking the screw, lightly tap it with a hammer to make it tight.



Step 4

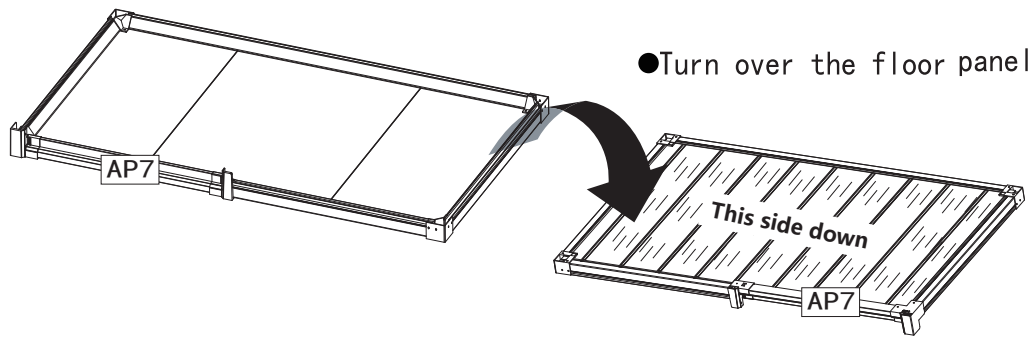
1



Z410

3 PC

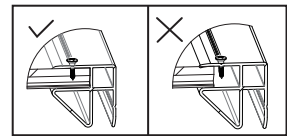
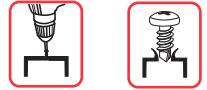
2



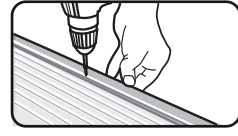
● Turn over the floor panel

3

Caution:
Please use Drill to predrill
a hole at depth 1mm before screw.



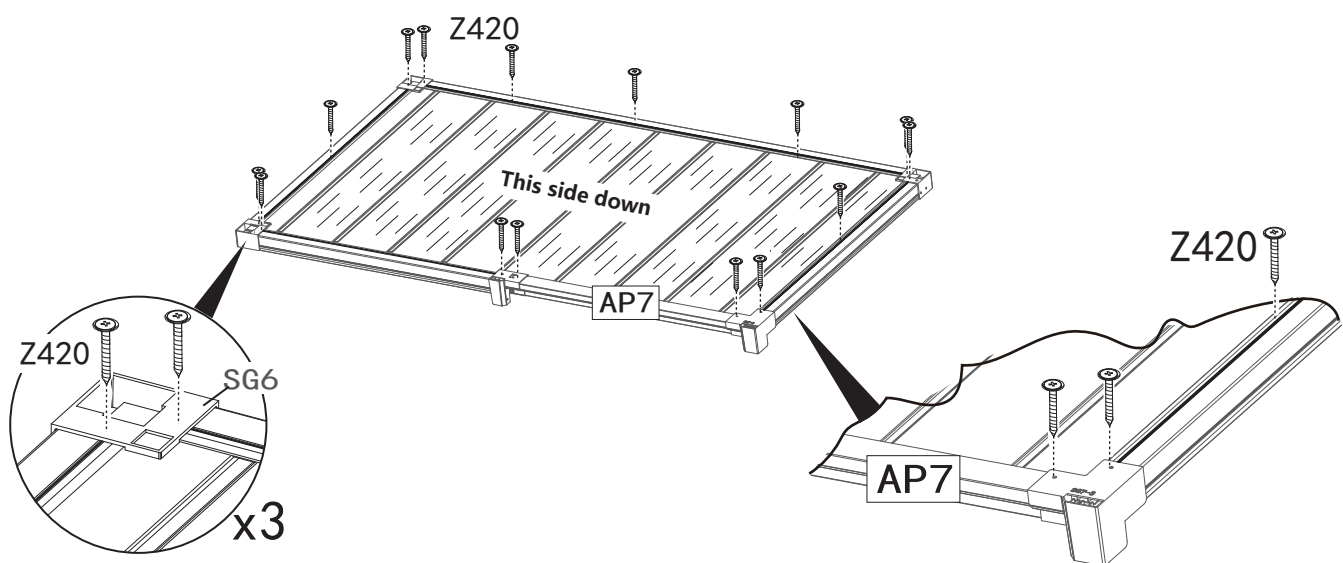
● Fully fit the panel inside the profile;
then screw on mark line



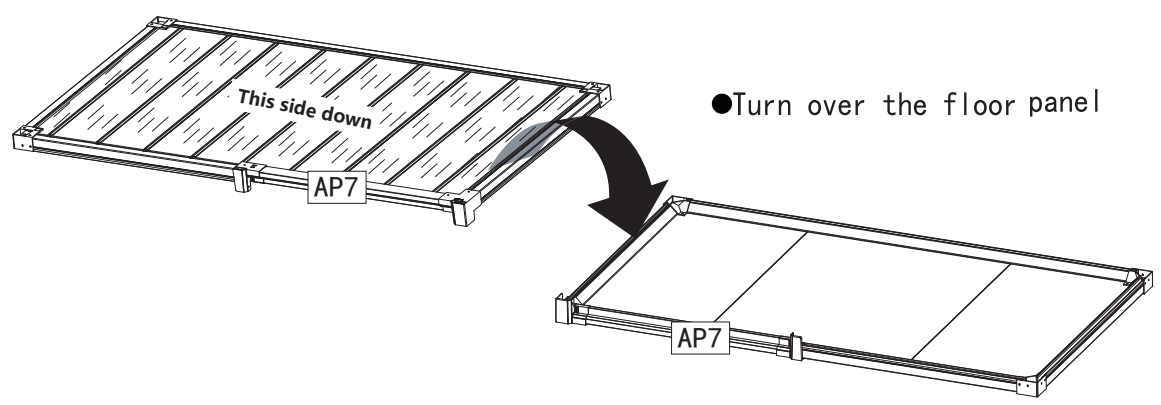
● Nail along the marked
line on profile

Z420

15 PC

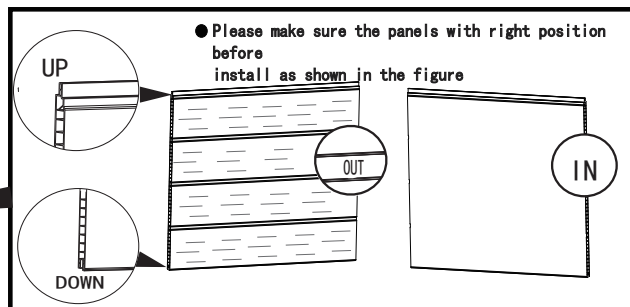
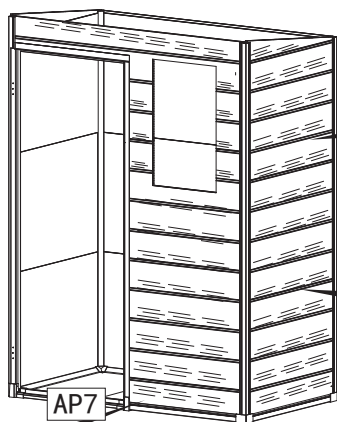


4

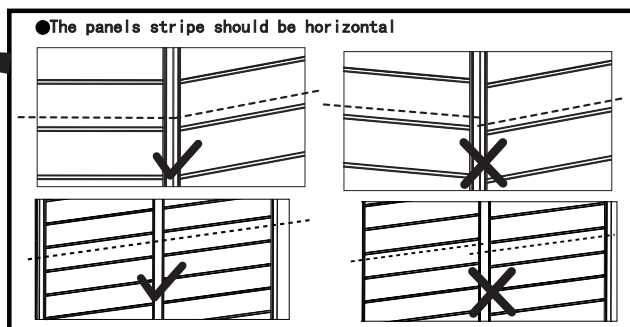


● Turn over the floor panel

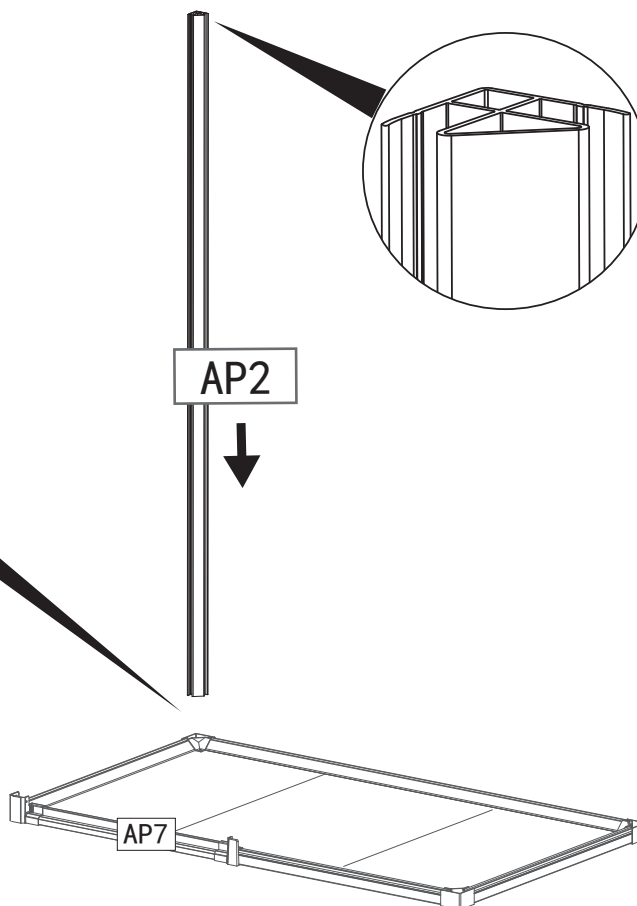
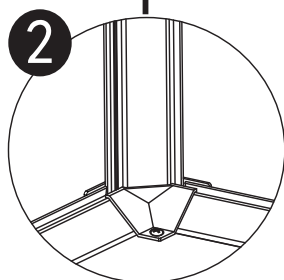
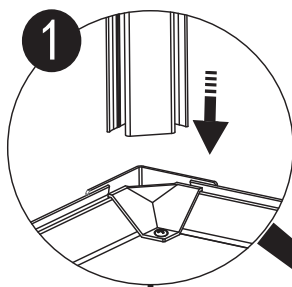
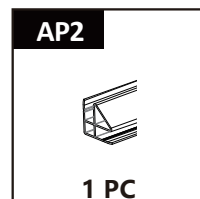
Wall Assembly



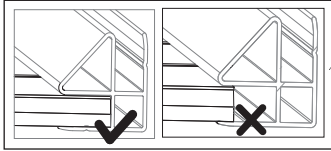
● Use spatula (part "SG8") for easier insertion of panel into profile






Step 5

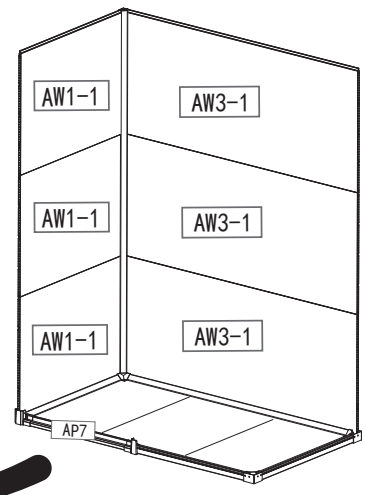
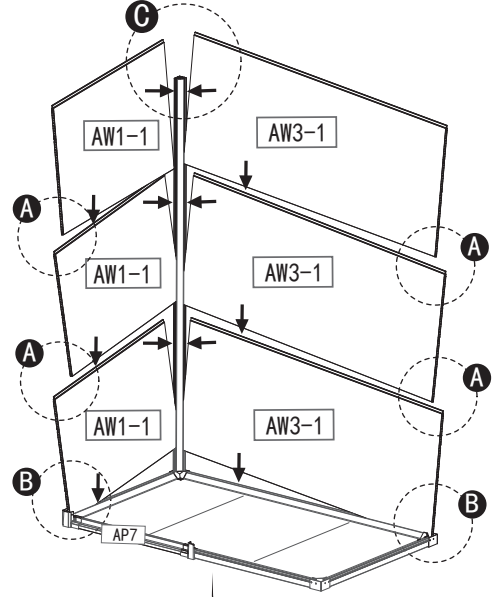
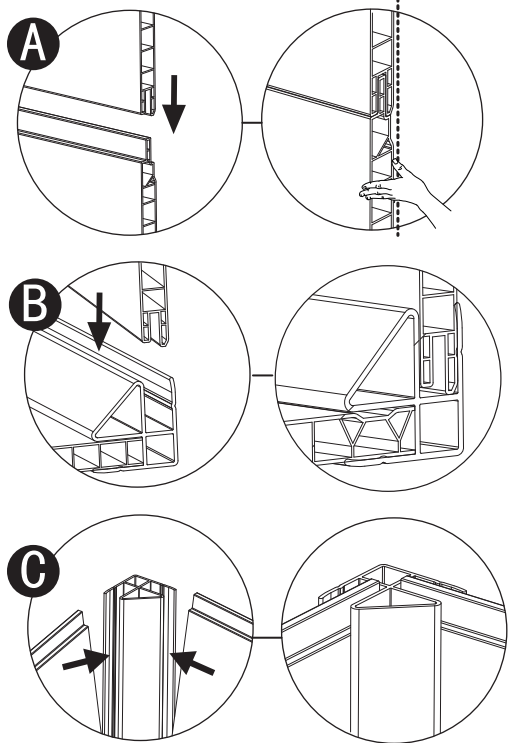


Step 6

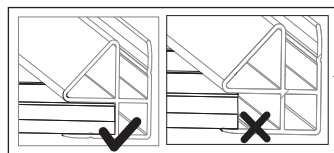


● Fully fit the panel inside the profile



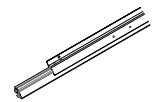
SG8 	AW1-1  3 PC
	AW3-1  3 PC

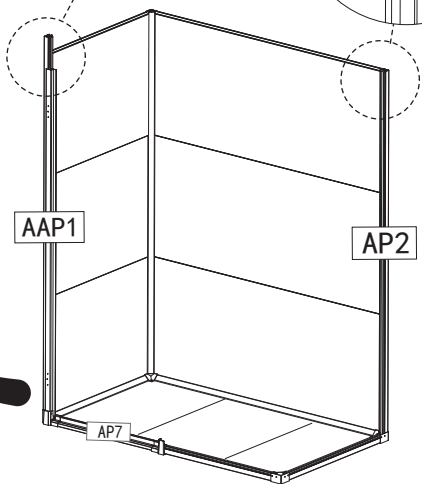
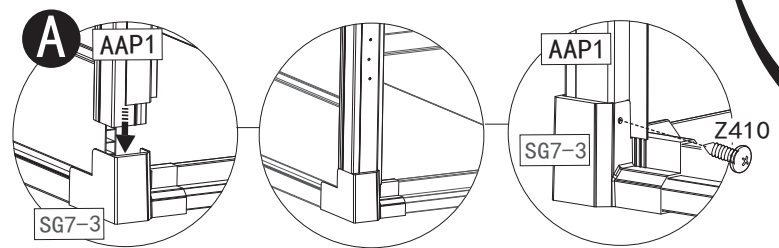
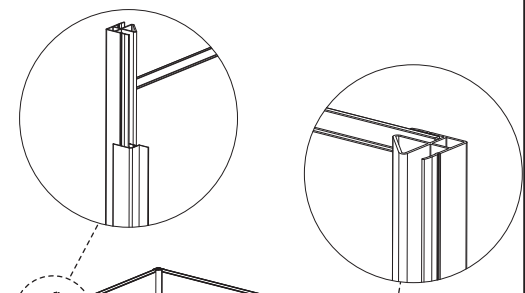
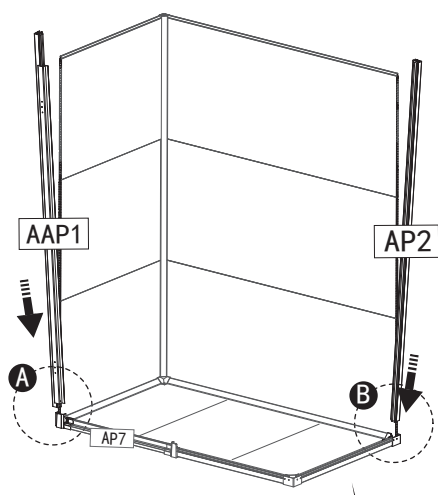
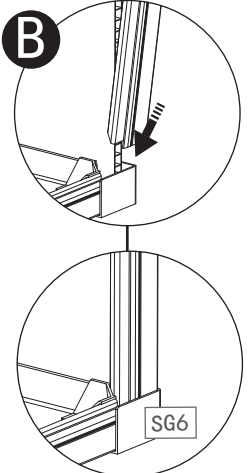


Step 7

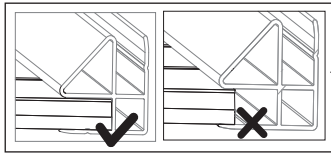


● Fully fit the panel inside the profile

Z410  1 PC	AP2  1 PC	AAP1  1 PC
--	---	--

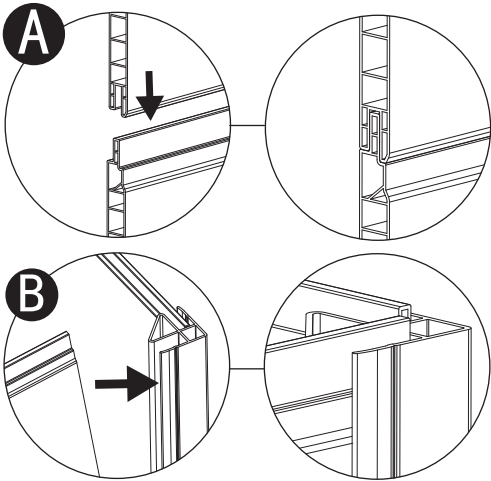
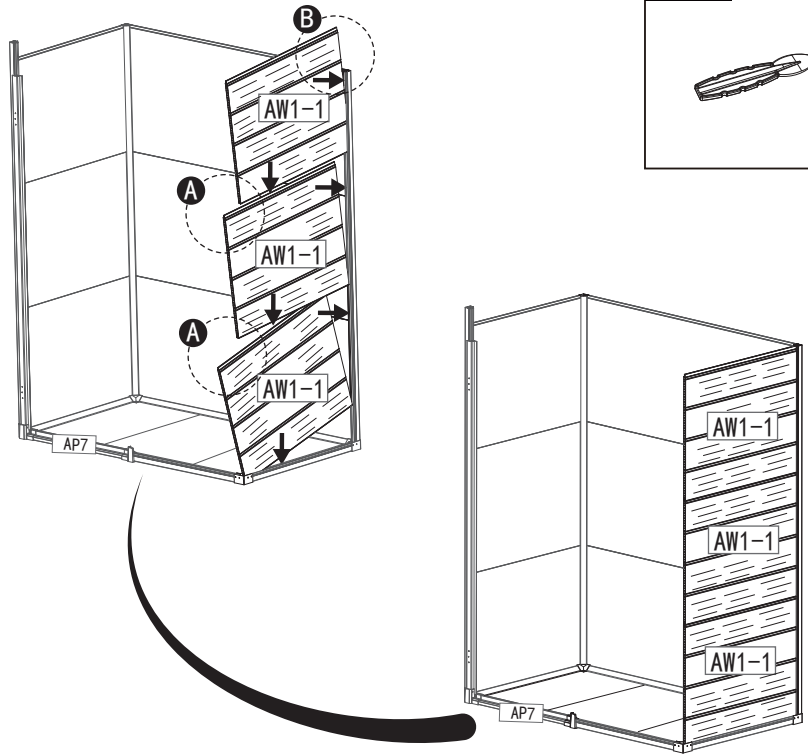


Step 8



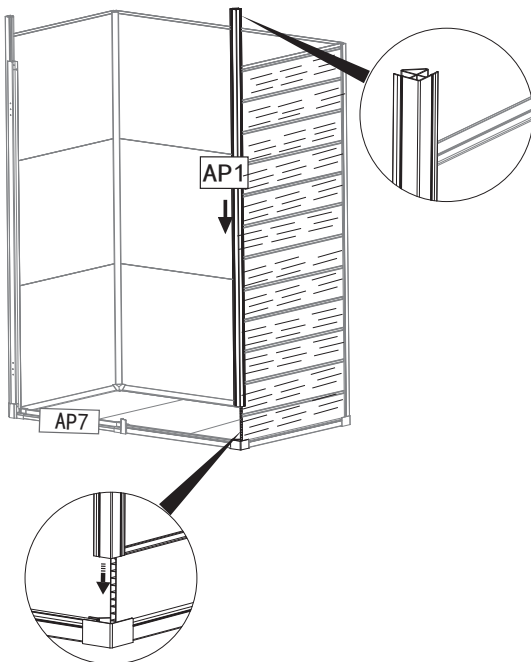
● Fully fit the panel inside the profile

AW1-1	
	3 PC
SG8	

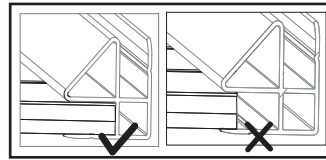


Step 9

1

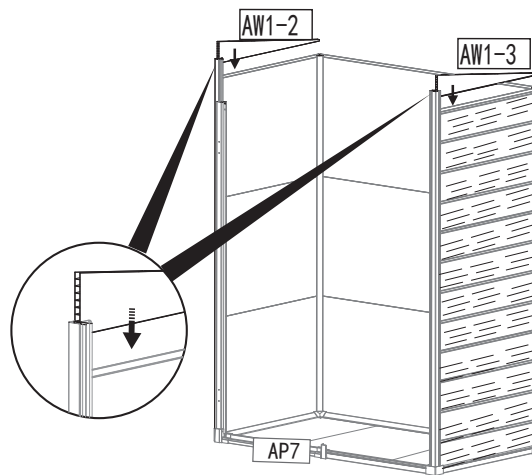


2

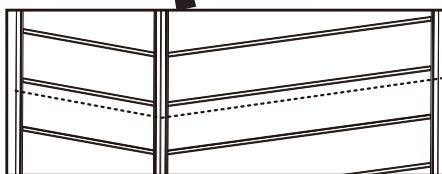
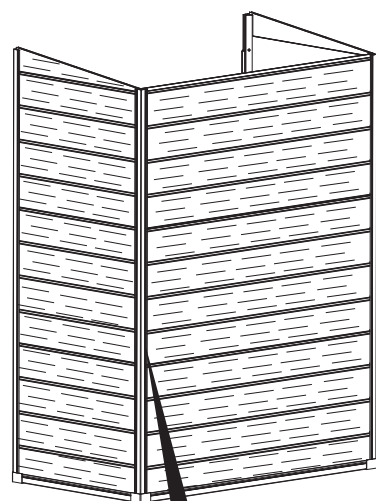


● Fully fit the panel inside the profile

AP1	
	1 PC
AW1-2	
	1 PC
AW1-3	
	1 PC

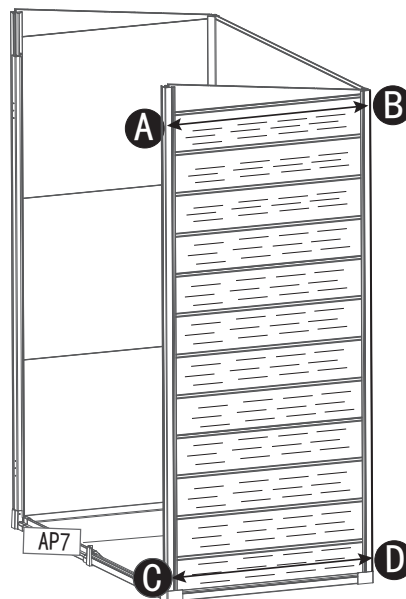


Step 10

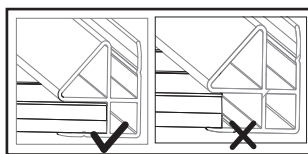


● The panels stripe should be horizontal

A B = C D



Step 11



● Fully fit the panel inside the profile

AW2-3



1 PC

AW2-1



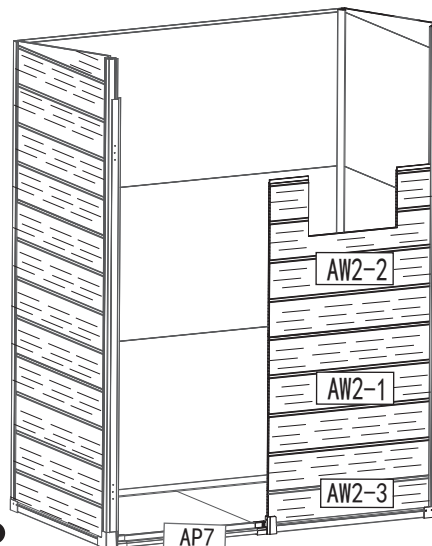
1 PC

AW2-2

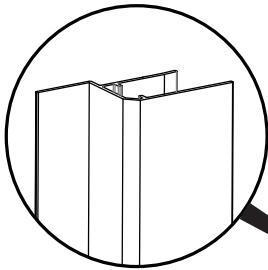




1 PC

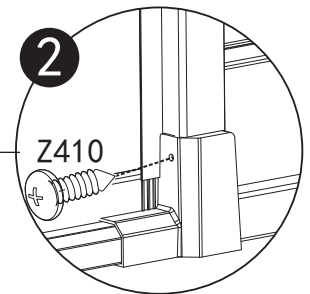
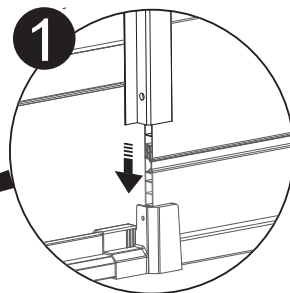
SG8



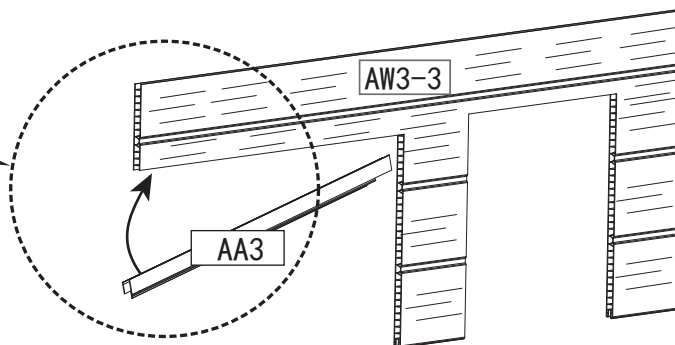
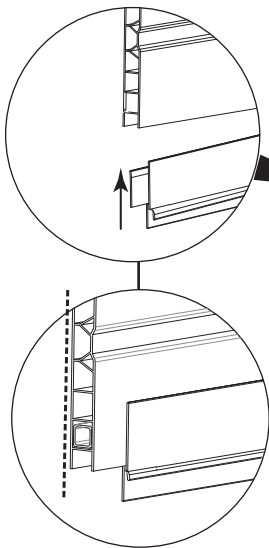
Step 12

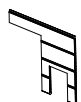
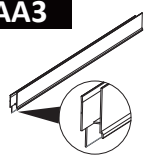


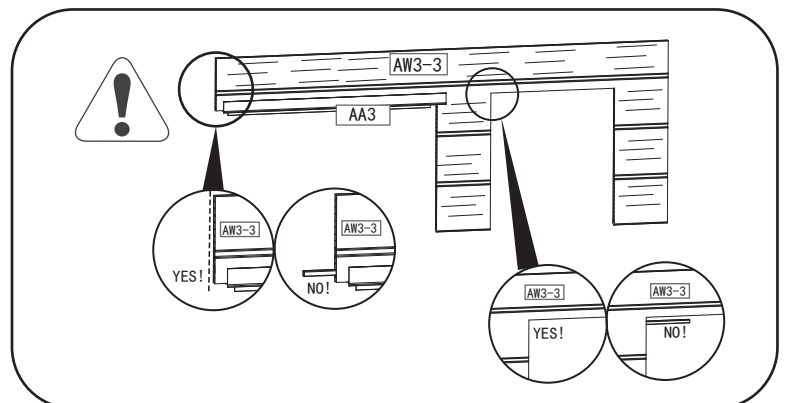
AA1R

1 PC
Z410

1 PC



Step 13

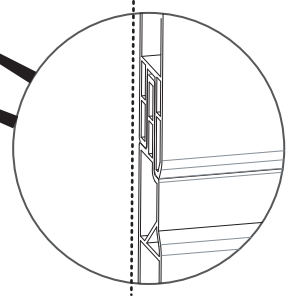
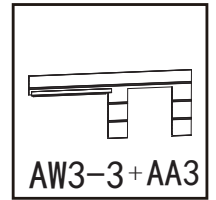
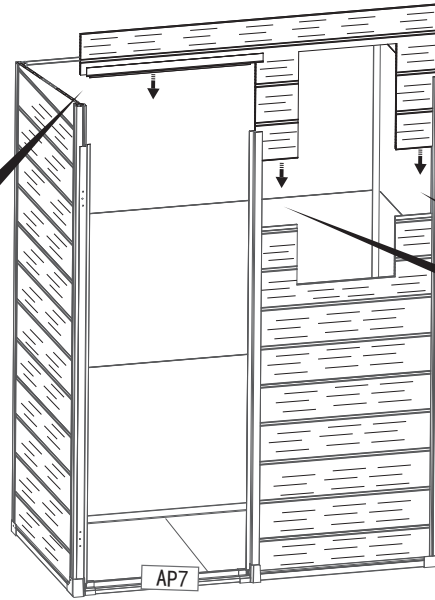
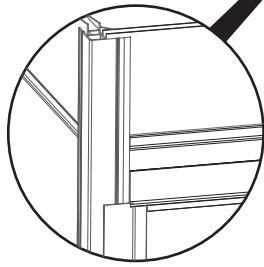
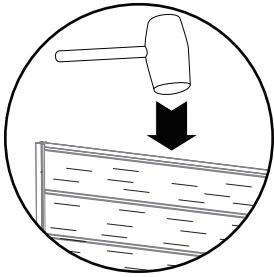


AW3-3

1 PC
AA3

1 PC



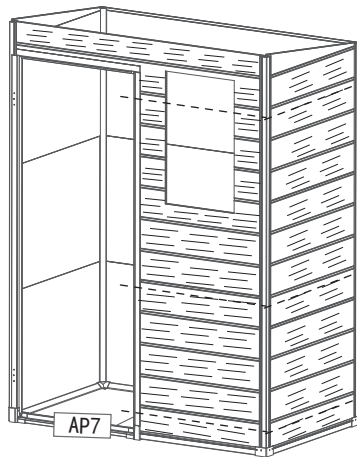
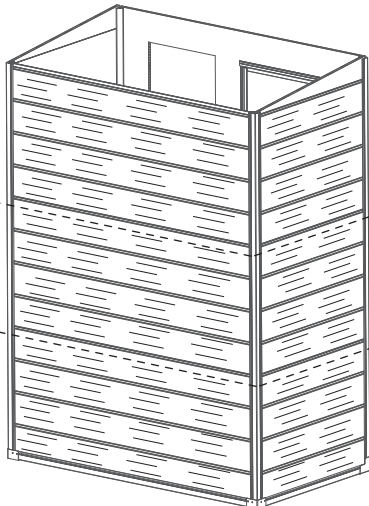
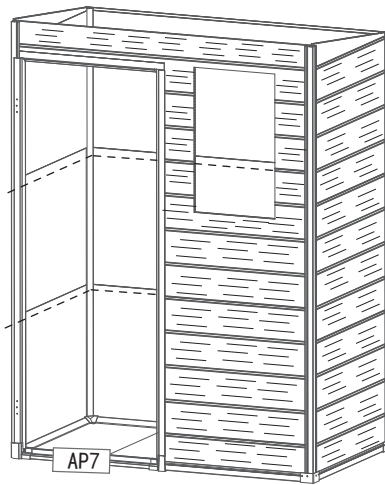
Step 14

- Before locking the screw, lightly tap it with a hammer to make it tight

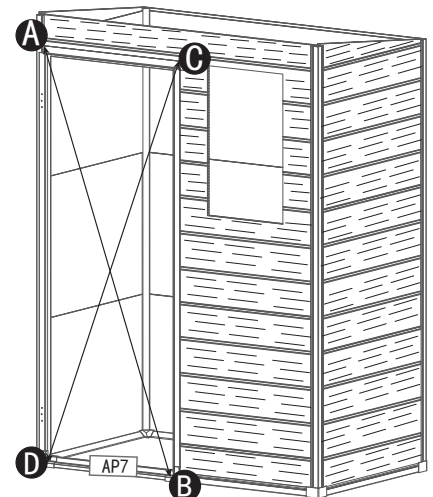


Step 15

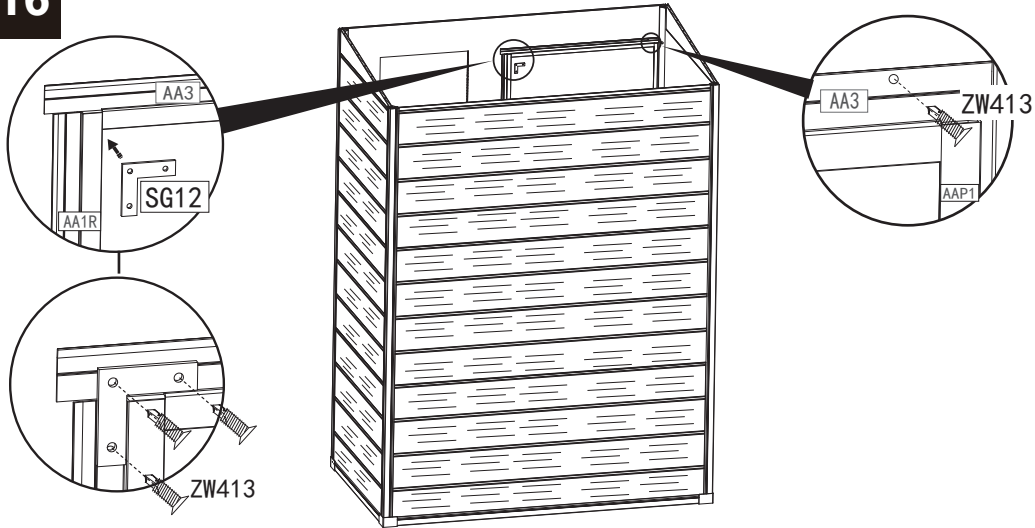
Determine seam alignment.



$AB=CD$



Step 16



SG12

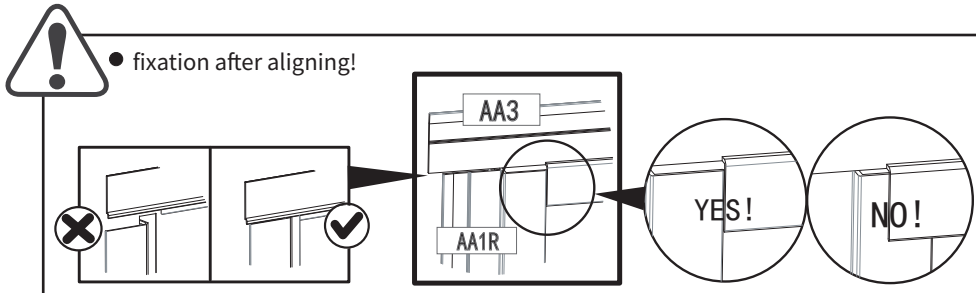


1 PC

ZW413

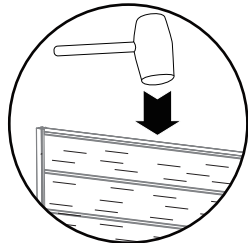


4 PC



Step 17

- Before locking the screw, lightly tap it with a hammer to make it tight



Caution:

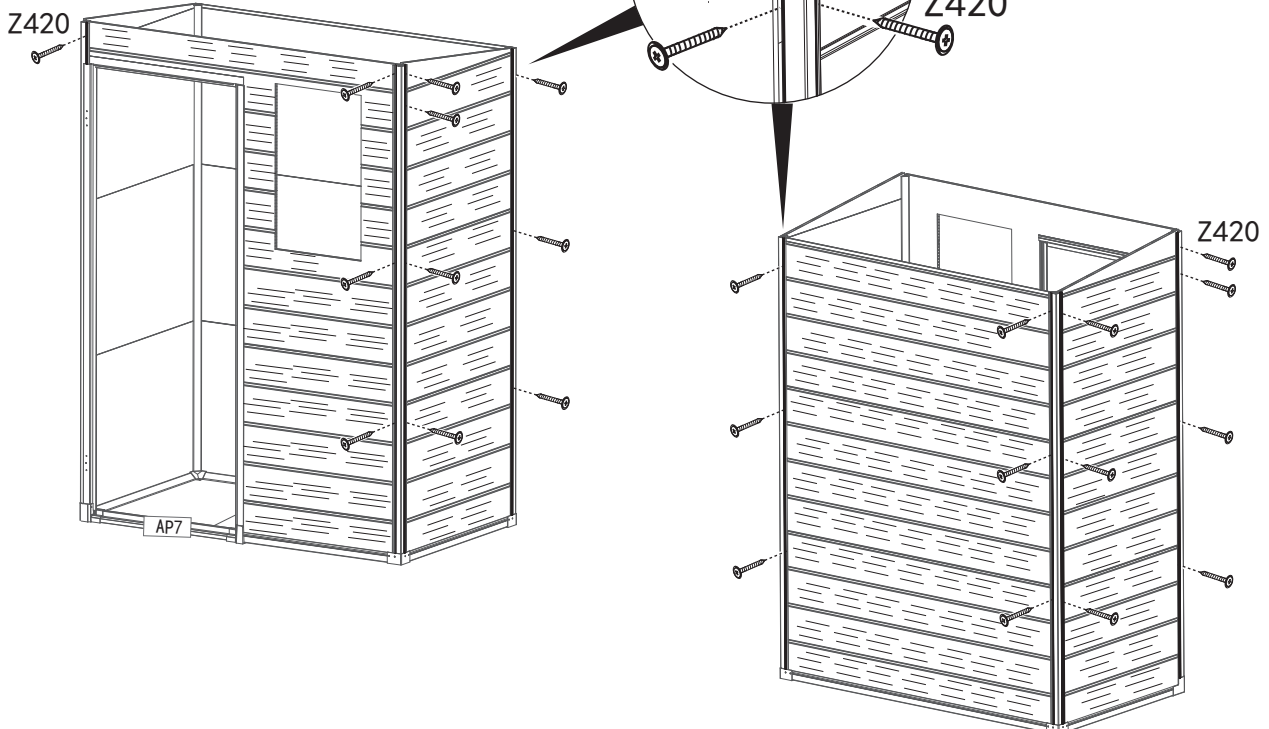
Please use Drill  to predrill a hole at depth 1mm before screw.



Z420



24 PC



Step 18

● Fully fit the panel inside the profile

Caution:

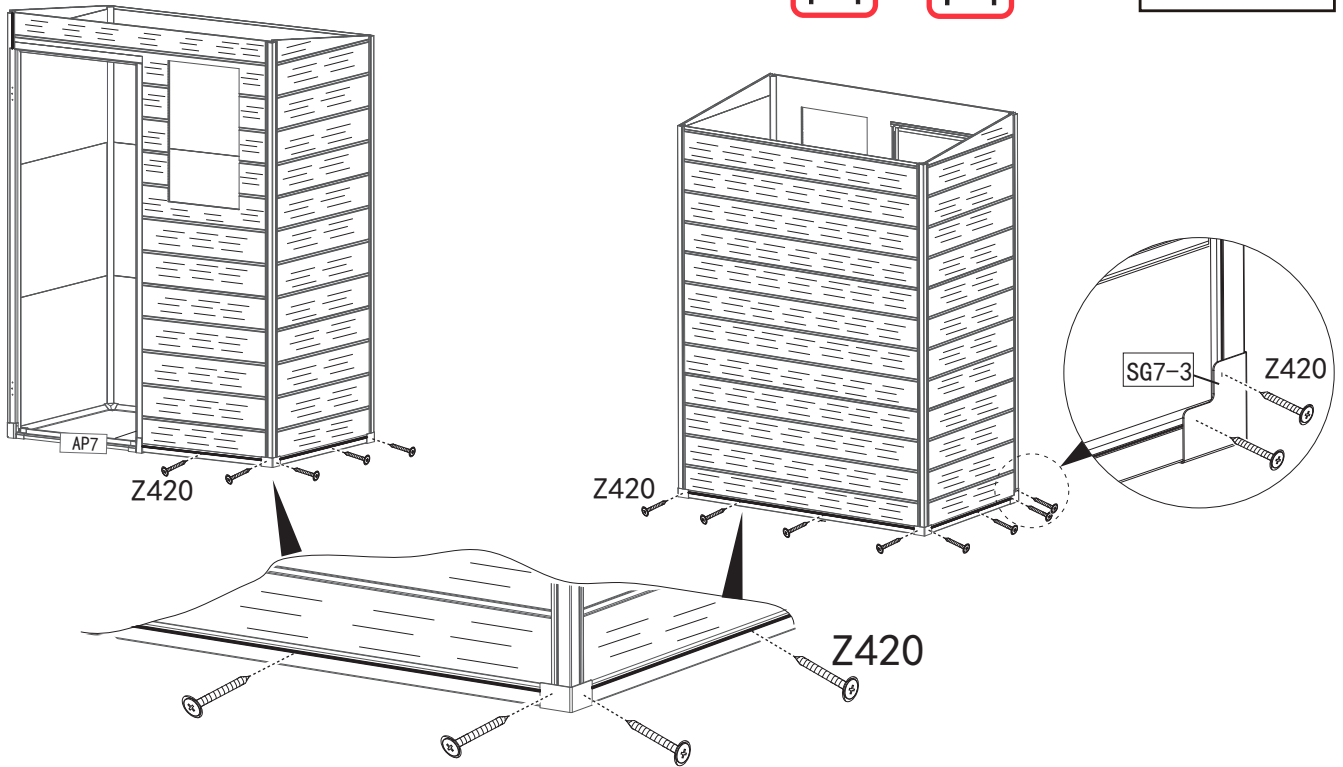
Please use Drill  to predrill a hole at depth 1mm before screw.



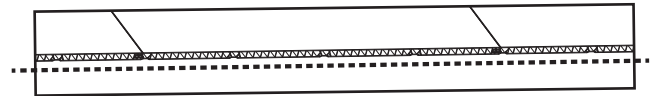
Z420



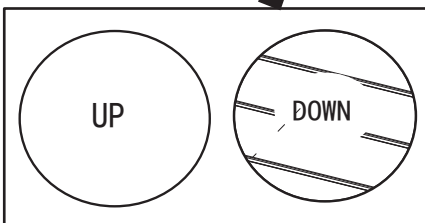
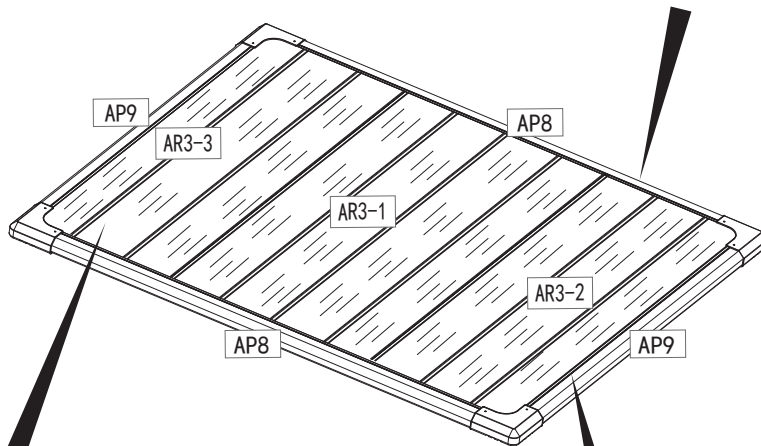
13 PC



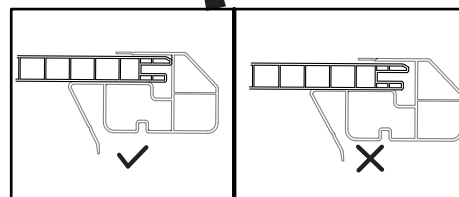
Roof Assembly



● The floor panels must be straight

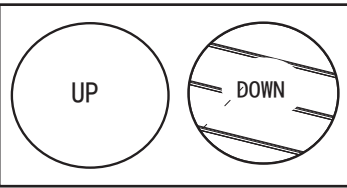


● Note: The crease line of the floor must be underneath

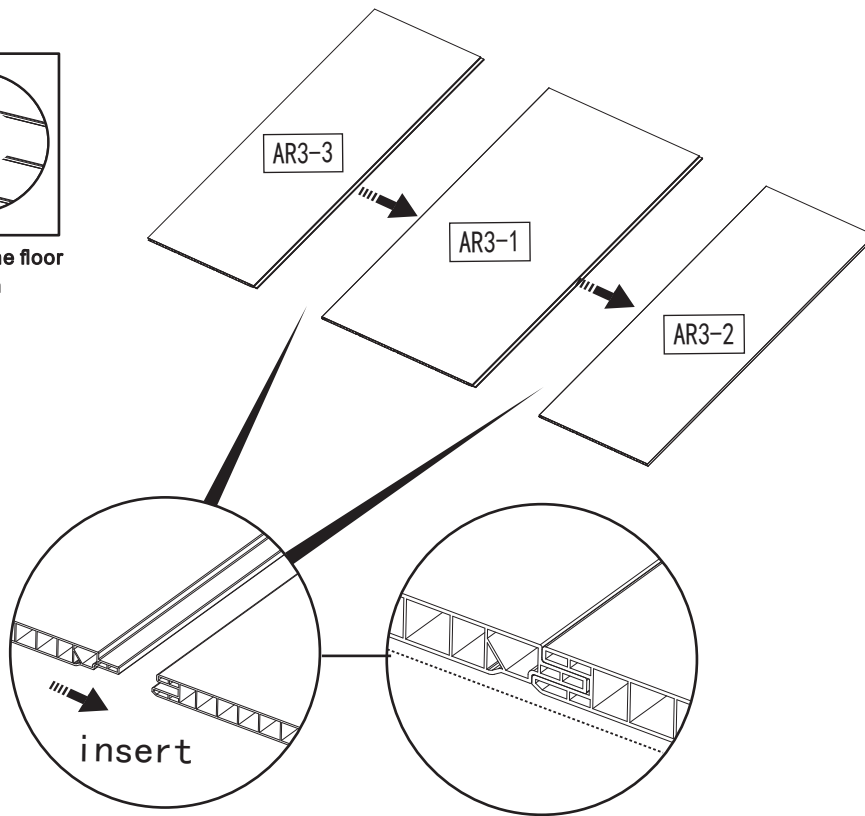


● Fully fit the panel inside the profile

Step 19



● Note: The crease line of the floor must be underneath



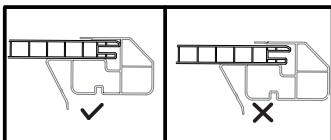
- AR3-1**

1 PC
- AR3-3**

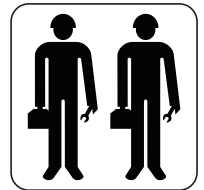
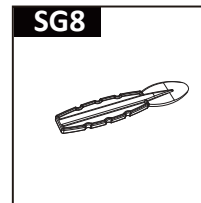
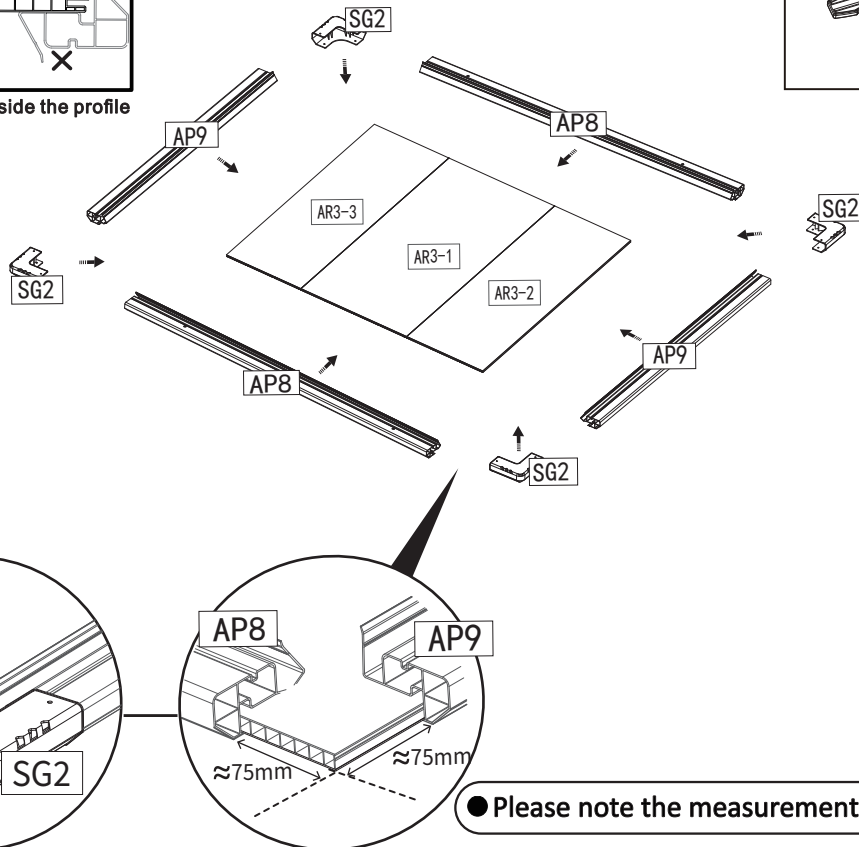
1 PC
- AR3-2**

1 PC
- SG8**

Step 20



● Fully fit the panel inside the profile



- AP9**

2 PC
- AP8**

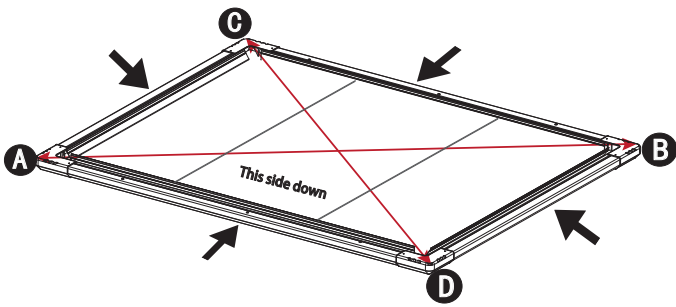
2 PC
- SG2**

4 PC

● Please note the measurement dimensions

Step 21

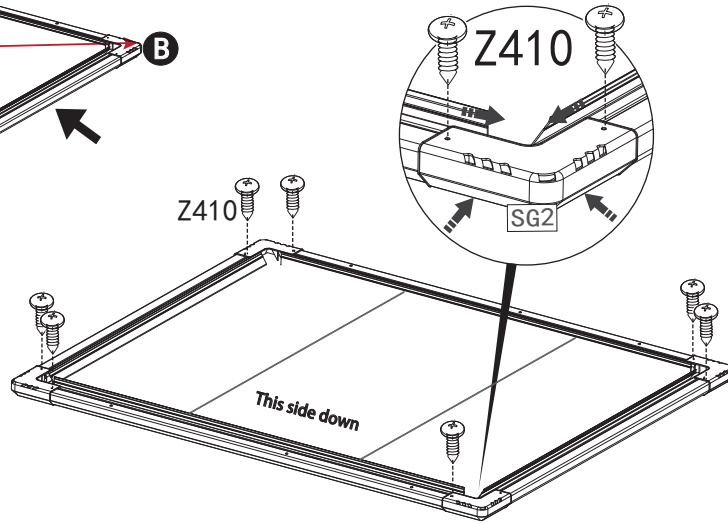
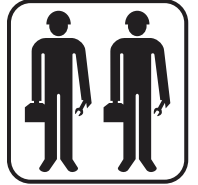
● Ensure AB equal to CD before nailing.



Z410

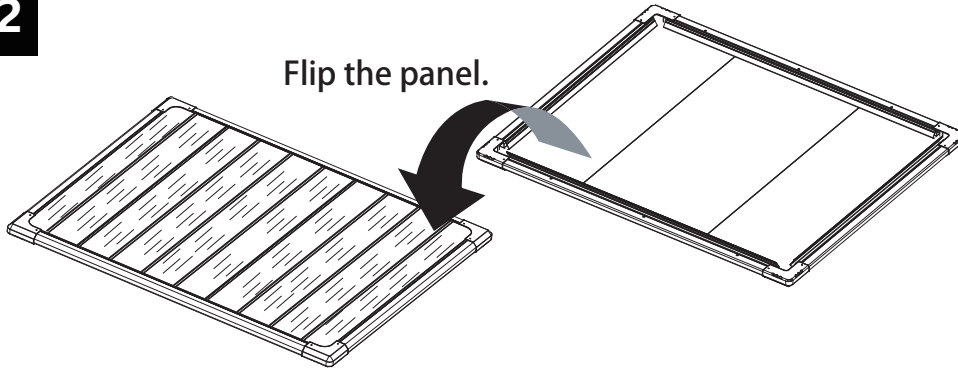


8 PC



Step 22

Flip the panel.



Caution:

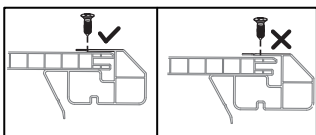
Please use Drill  to predrill a hole at depth



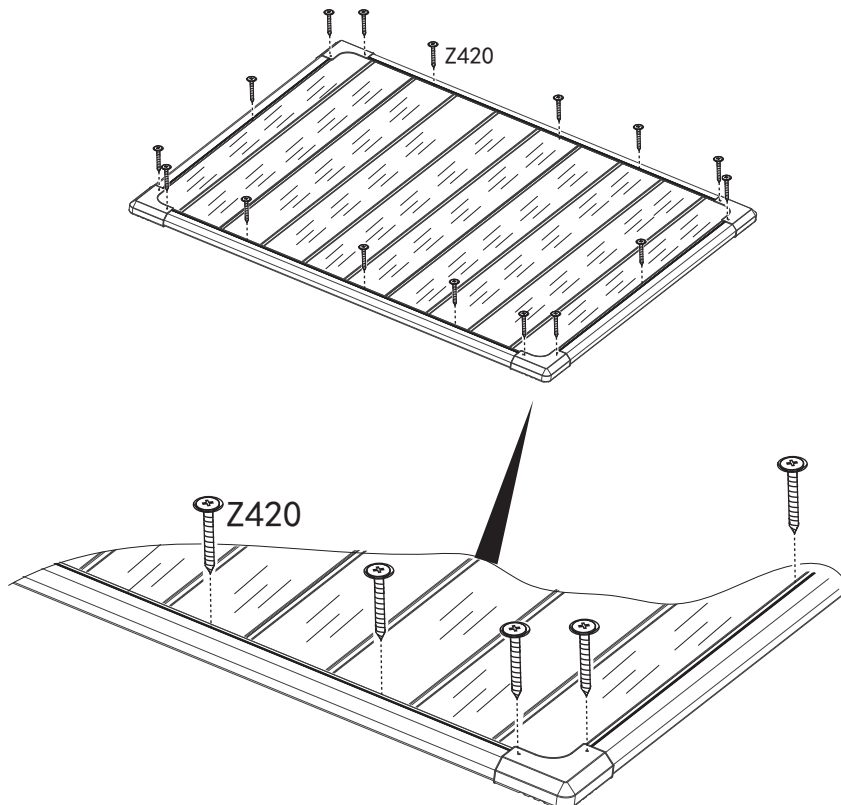
Z420



16 PC

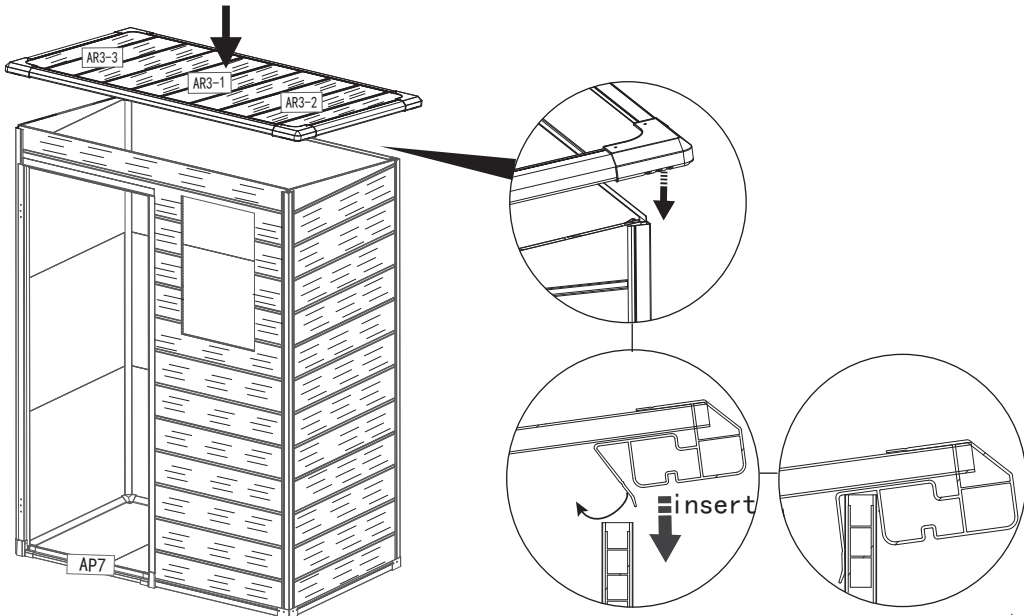


● Nail along the marked line on profile.



Step 23

1

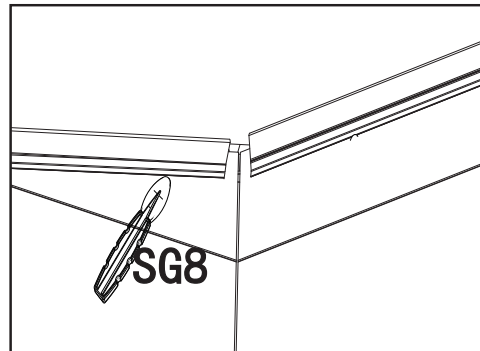
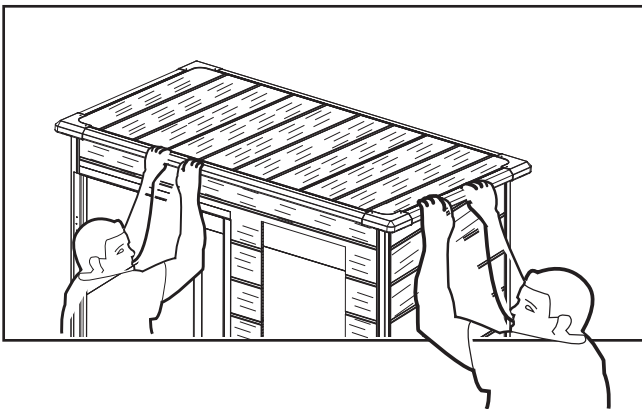


● Fully fit the panel inside the profile

2

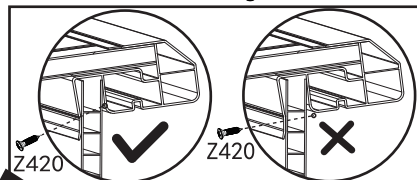
● Ensure fully fit the panels inside the profiles of the roof, using the spatula according to the following picture.

SG8



3

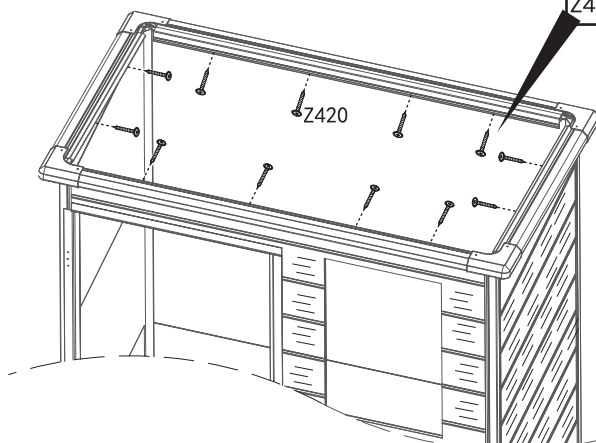
● Please note the nailing direction.



Z420



12 PC

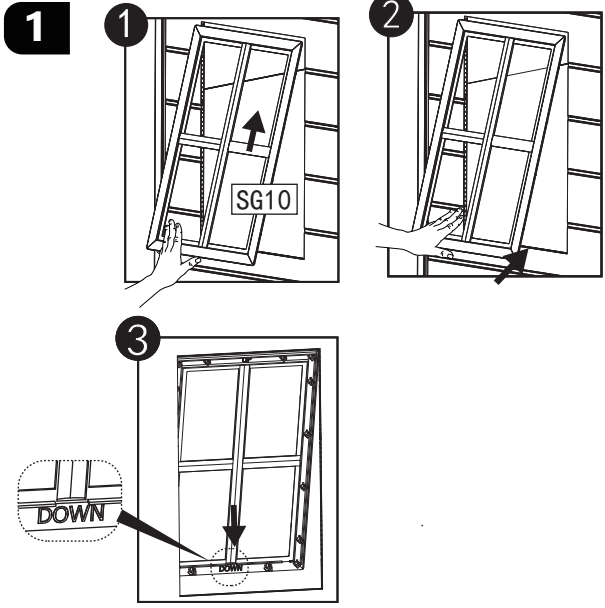
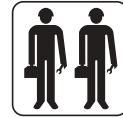


Caution:

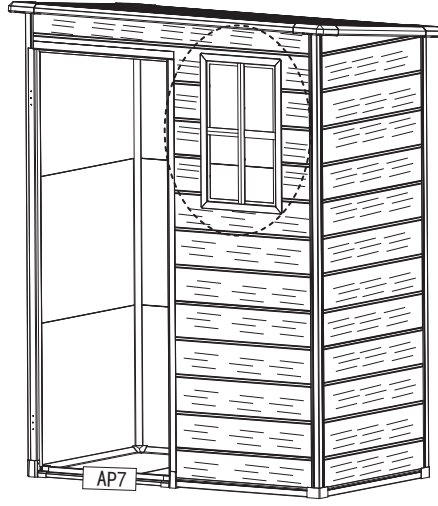
Please use Drill  to predrill a hole at depth 1mm before screw.

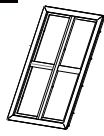
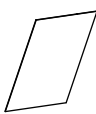




Step 24 Window section

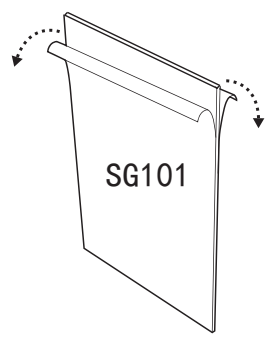


How the Windows look when they are installed

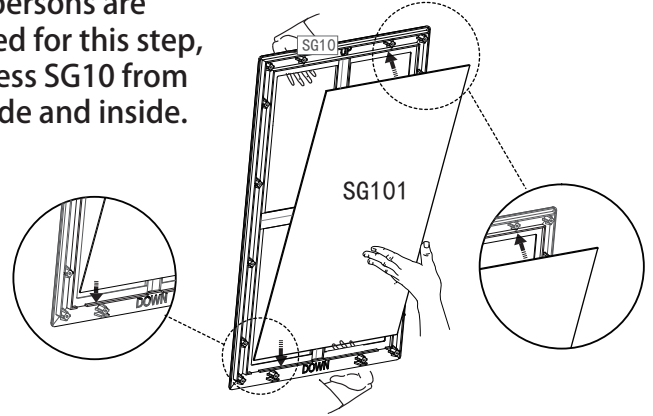


- SG10**

1 PC
- SG101**

1 PC
- SG102**

1 PC
- Z410**

16 PC

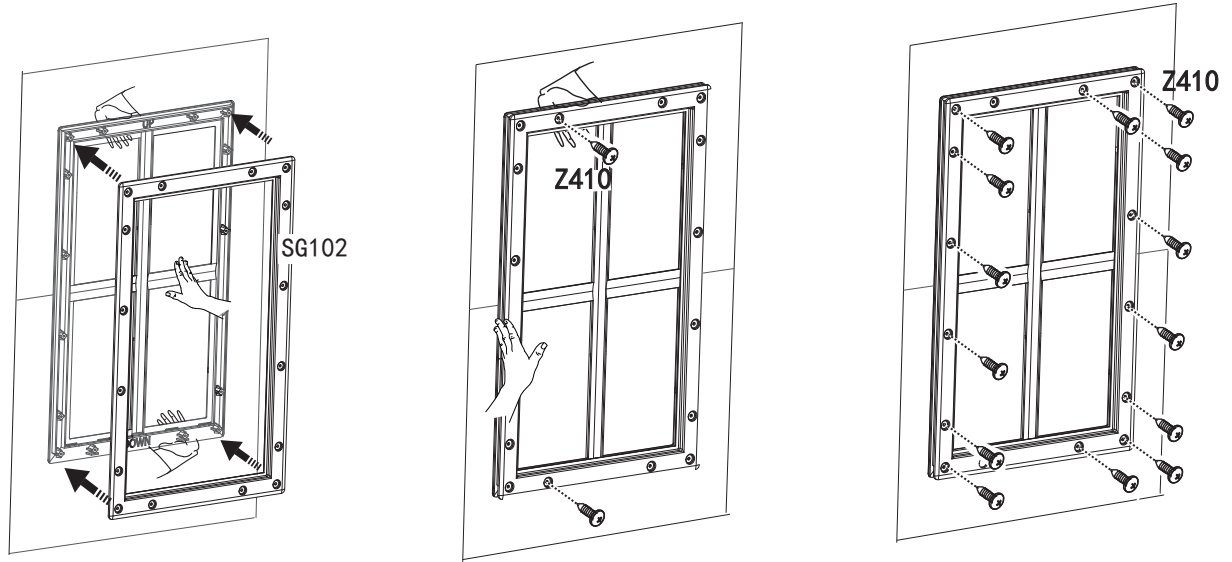
2 • Remove the film before fixing SG101



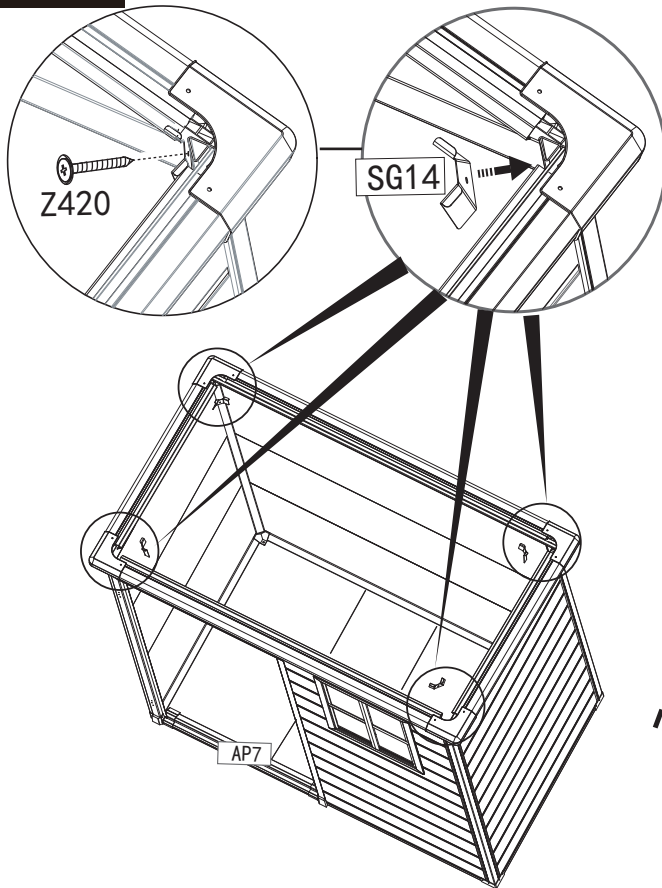
• Two persons are needed for this step, to press SG10 from outside and inside.



3



Step 25



SG14

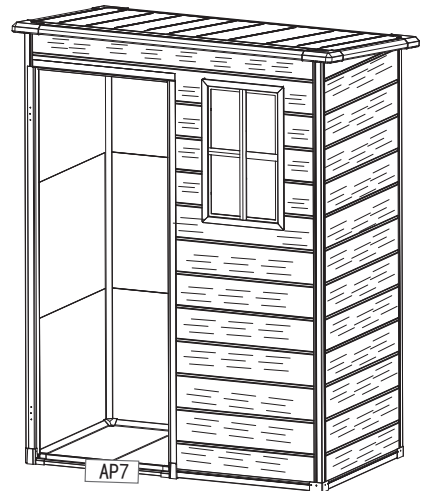


4 PC

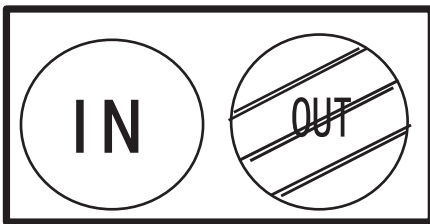
Z420



4 PC

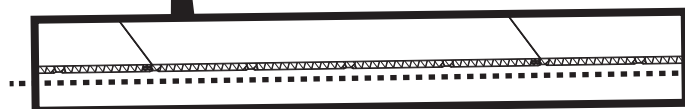
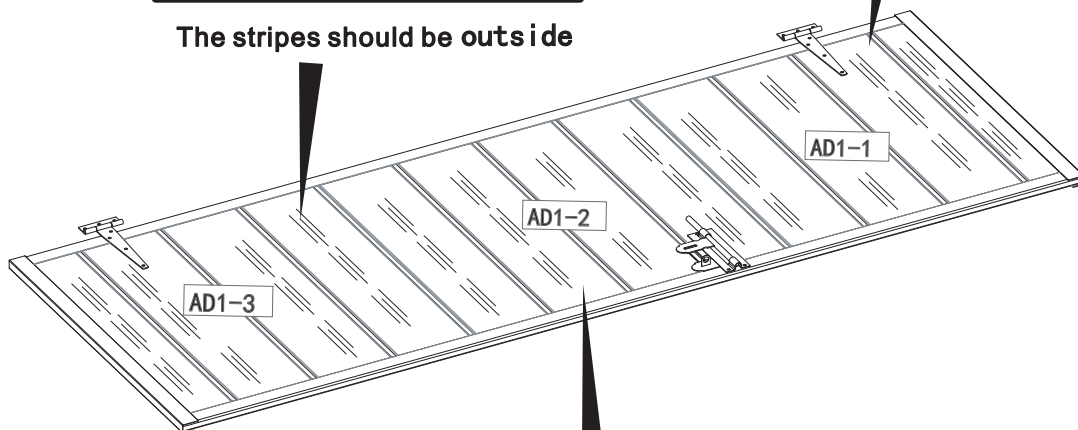


DOOR SECTION



The stripes should be outside

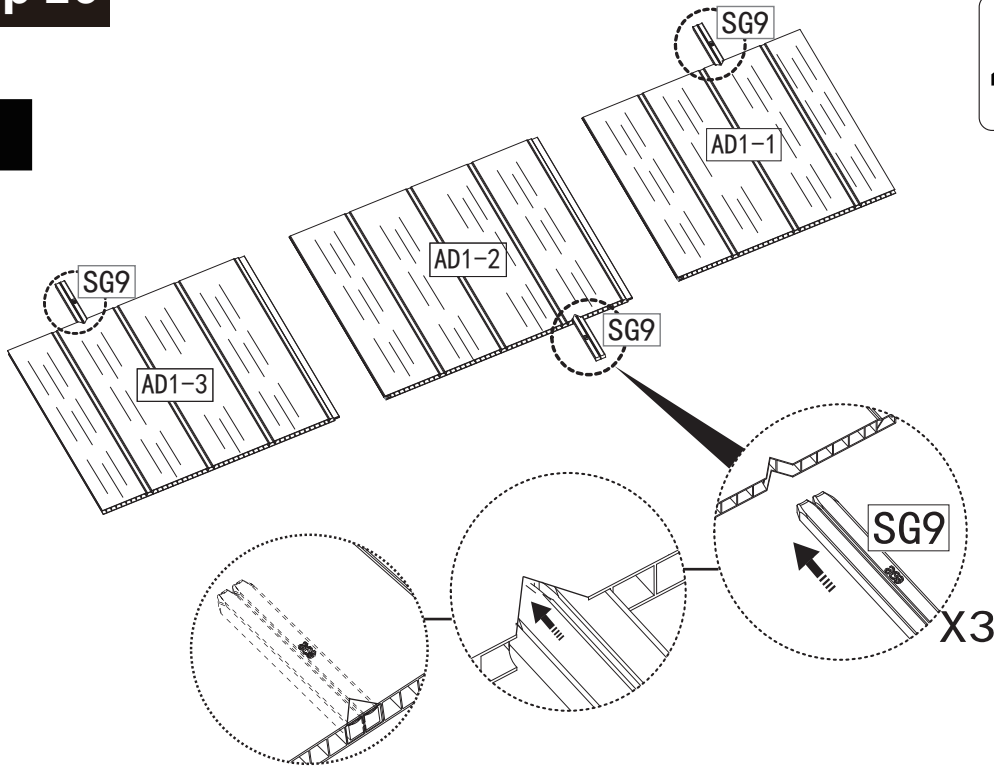
Door mount this is above

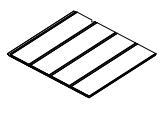
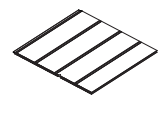
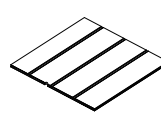



The boards must be straight

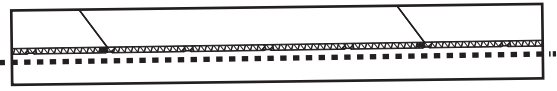
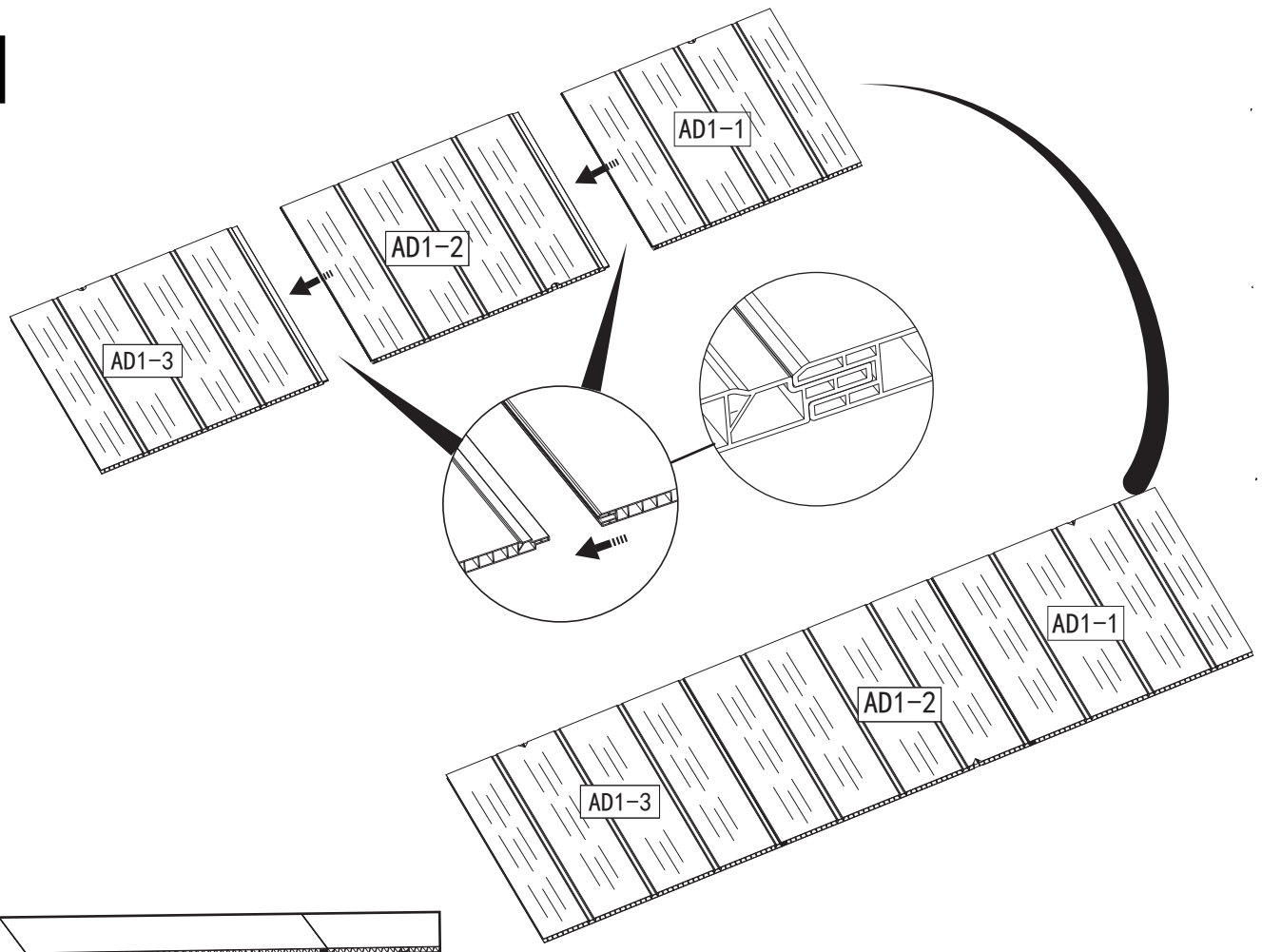
Step 26

1



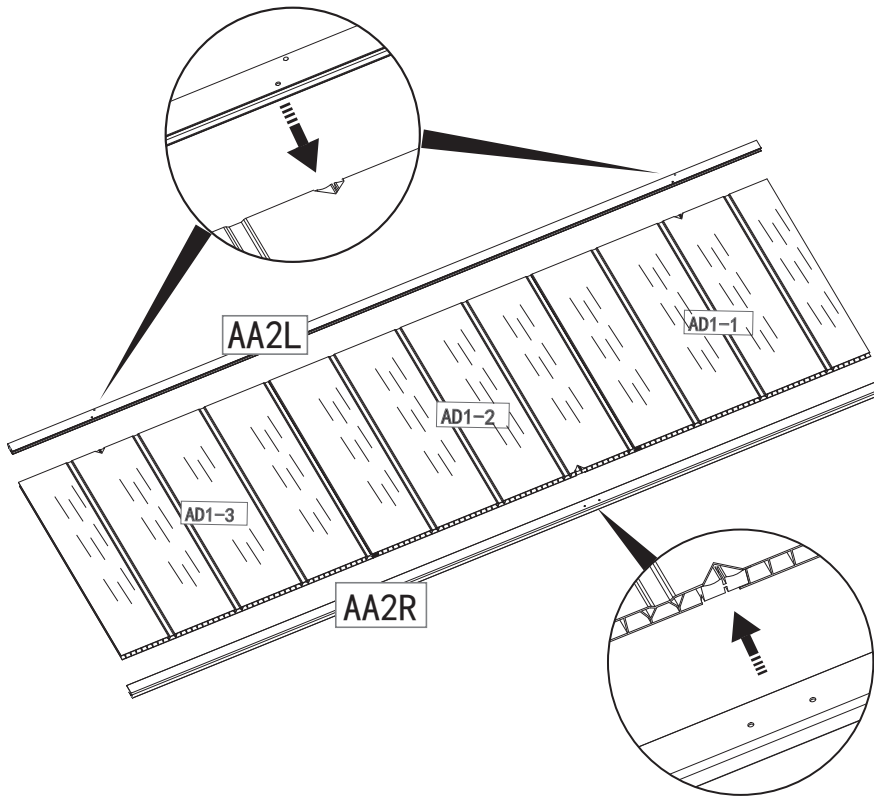
AD1-2		1 PC
AD1-3		1 PC
AD1-1		1 PC
SG9		3 PC

2

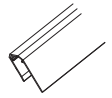


The boards must be straight

Step 27



AA2R



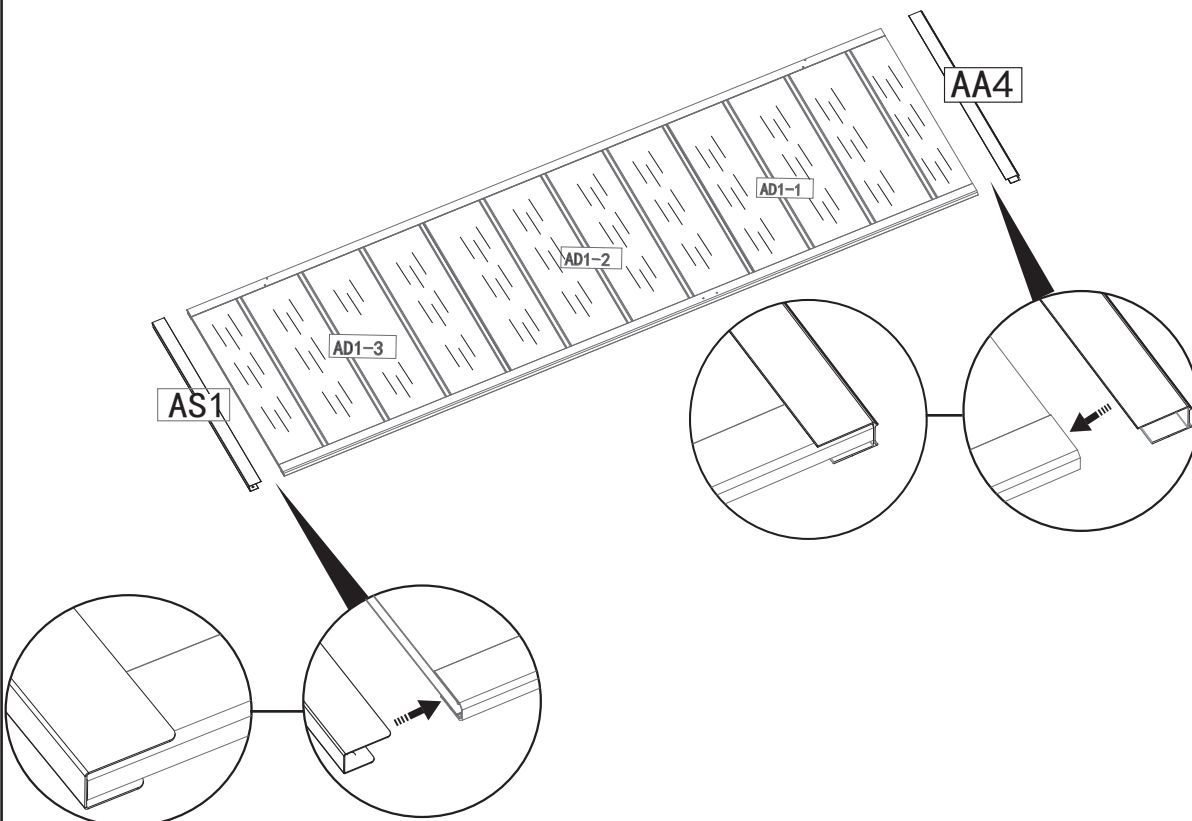
1 PC

AA2L



1 PC

Step 28

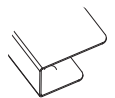


AA4



1 PC

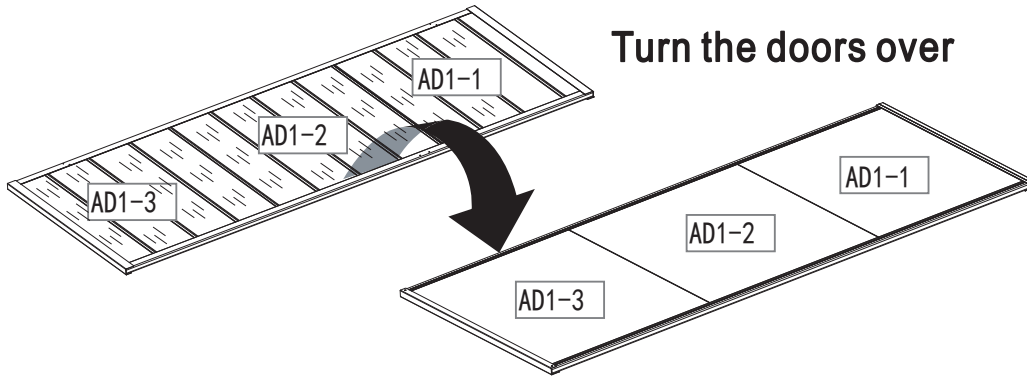
AS1



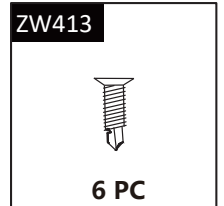
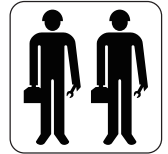
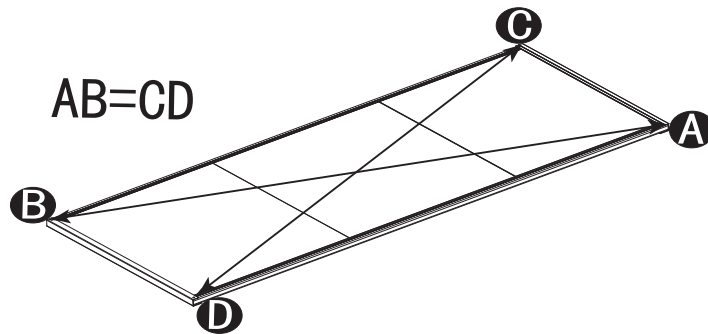
1 PC

Step 29

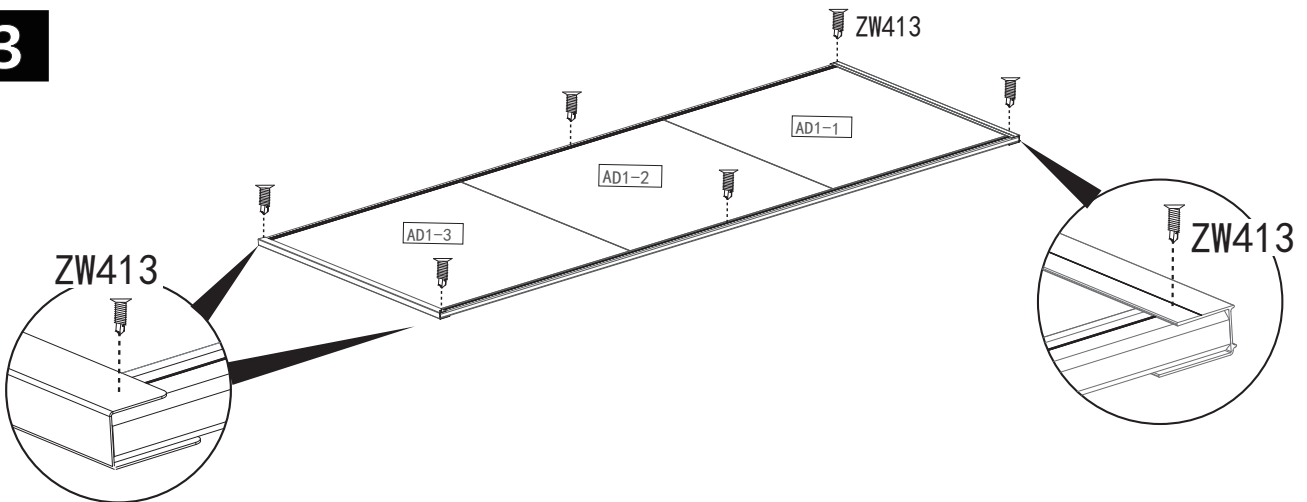
1



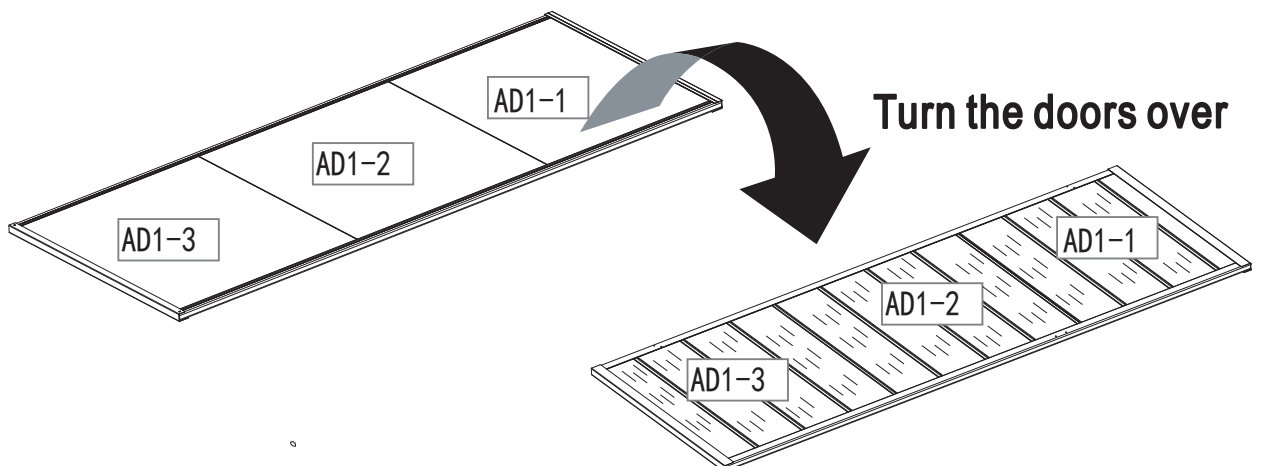
2



3

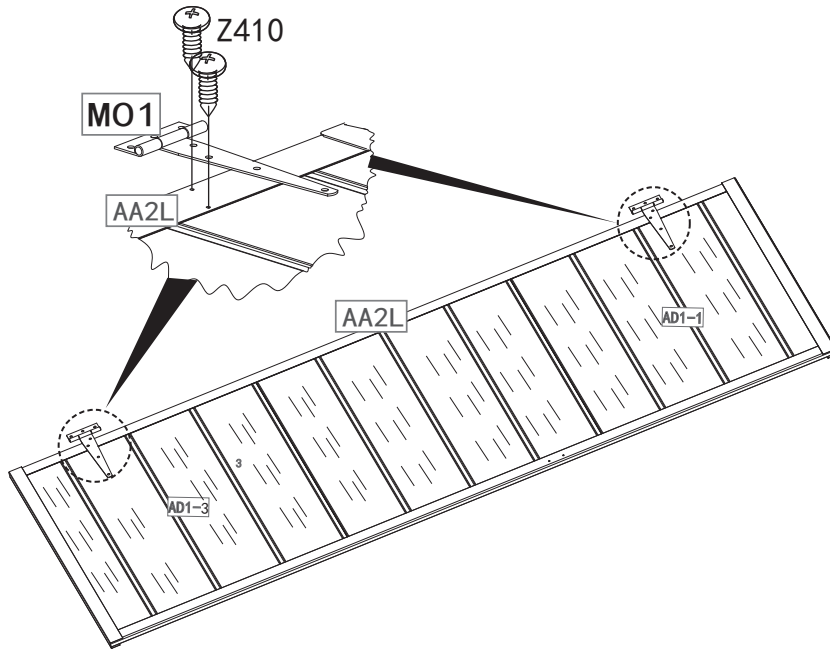



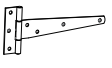
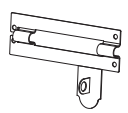
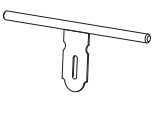
4



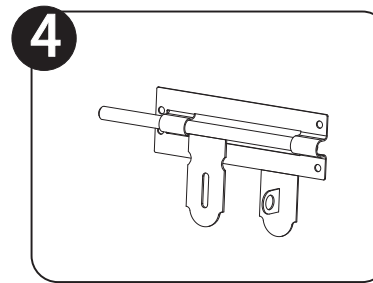
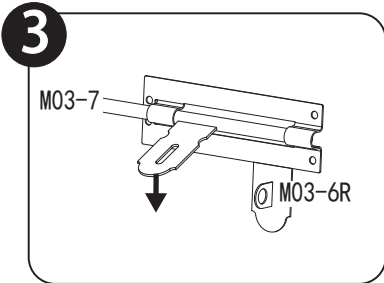
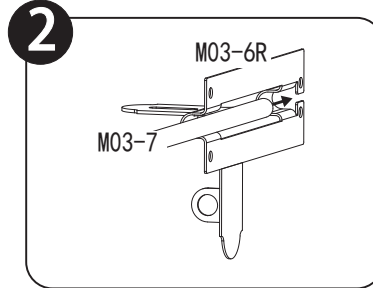
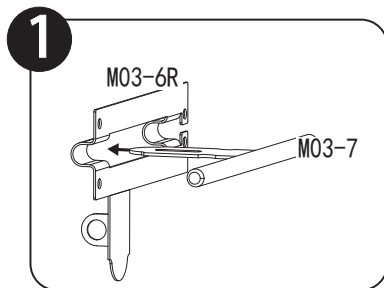
Step 30

1

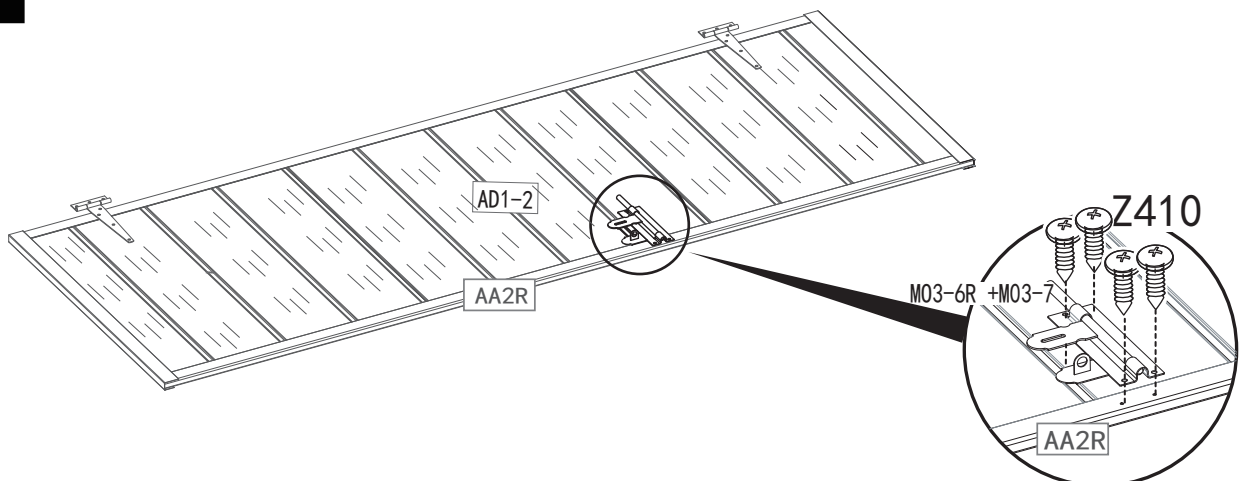


Z410

8 PC
MO1

2 PC
M03-6R

1 PC
M03-7

1 PC

2



3

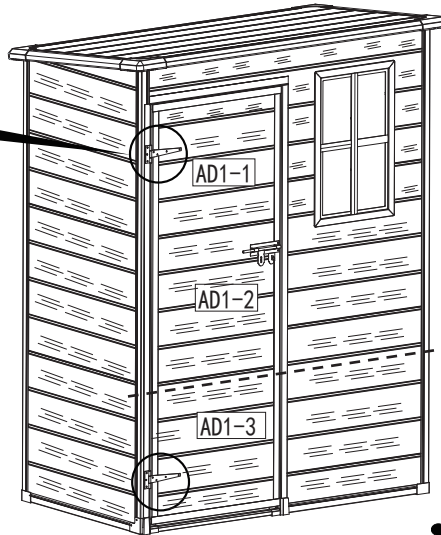
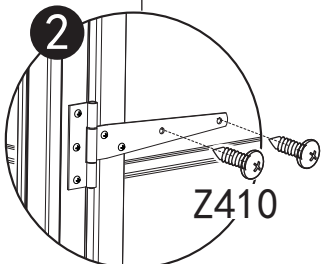
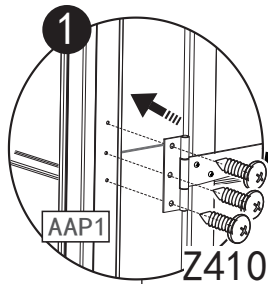
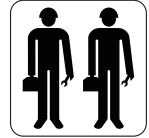


Step 31

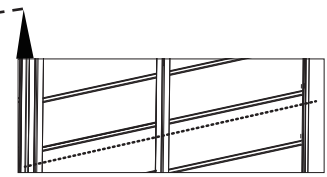
Z410



10 PC



● Grain of the door panels should align with that of the wall panels.



Nail the door after place adjustment and fasten all the screws.

Step 32

M04

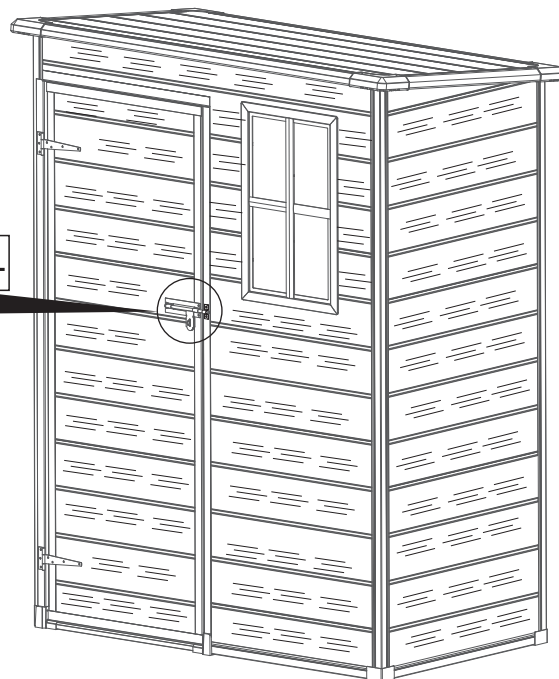
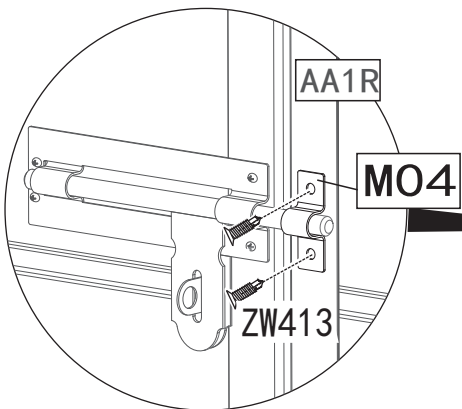


1 PC

ZW413



2 PC



AFTER-SALE SERVICE CARD

If you have any suggestions for our products or find that the products have quality problems, please contact us first, our after-sales team will reply you within 24 hours, and we will do our best to give you solutions until you are satisfied.

Guaranteed Customer Service

Your shopping experience is very important to us!
Feel unsatisfied? Contact us!
Have any questions? Contact us!

Wanna Share how wonderful our smart products makes your home?
Share your pictures with us.
Any suggestions? Contact us!
We gotcha back!

✉ Patiofurniture Serviceteam@outlook.com

