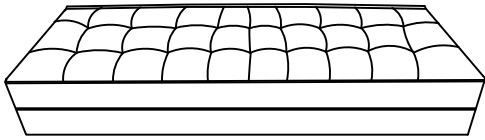
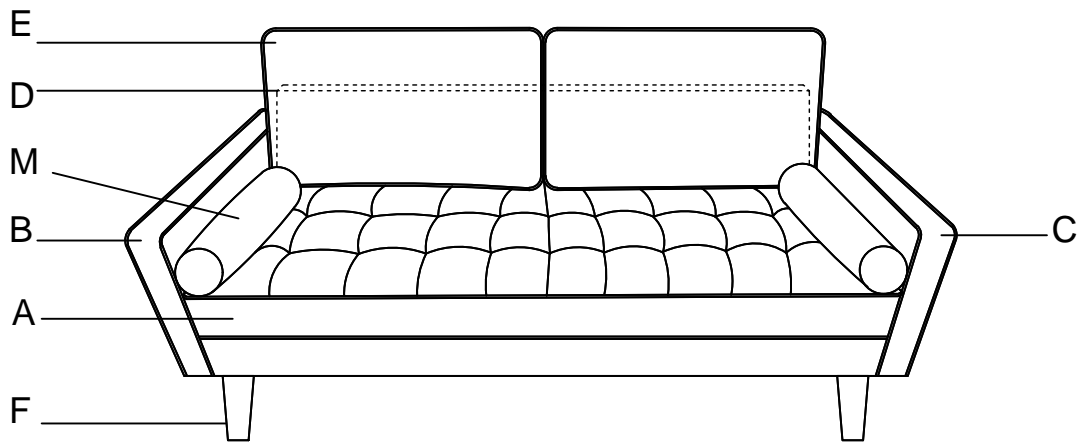
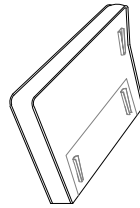


ASSEMBLY INSTRUCTION

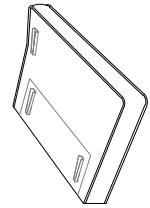
SOFA



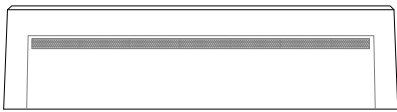
A : Seat 1PC



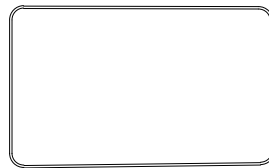
B : Left arm 1PC



C : Right arm 1PC



D : Back frame 1PC



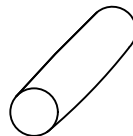
E : Backrest 2PCS



F : Front leg 2PCS



N: Rear leg 2PCS



M: Toss pillow 2PCS



G : Bolt 8PCS



L : Allen key 1PC



H : Spring washer 8PCS



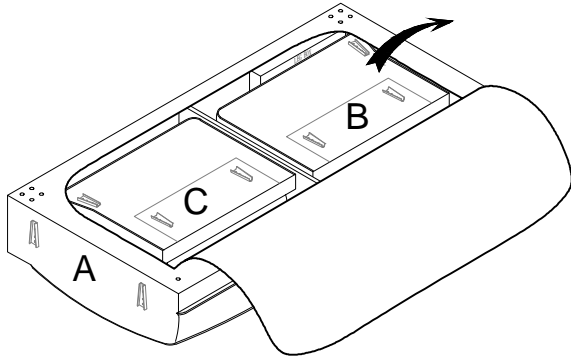
J : Flat washer 8PCS



K: Flat washer 2PCS

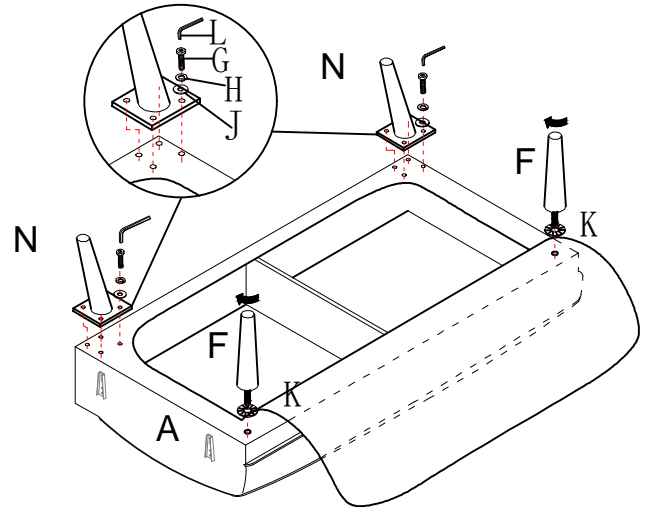
Step 1

Open the bottom fabric, take out the back cushion(E), Arms(B&C), Legs(F&N), Toss pillows(M).



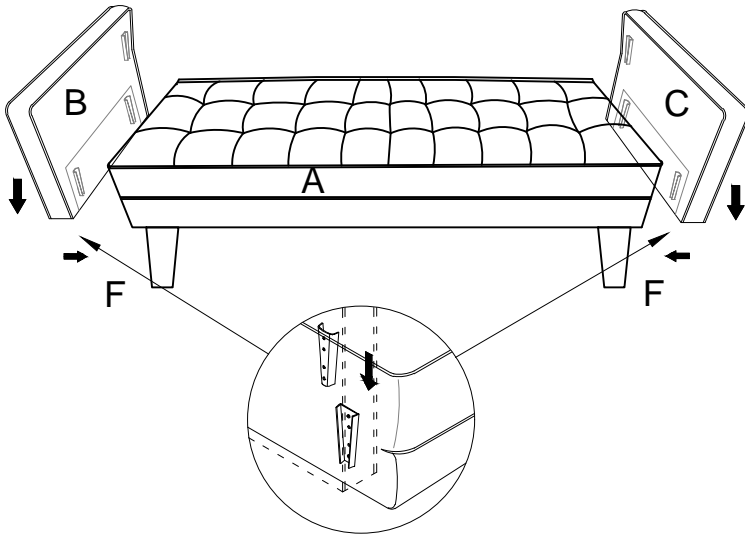
Step 2

Turn the Bolt(G) with L&J&H to fix Rear leg(N) on the Seat(A), turn the Front leg(F) colckwise to fix on the Seat(A).



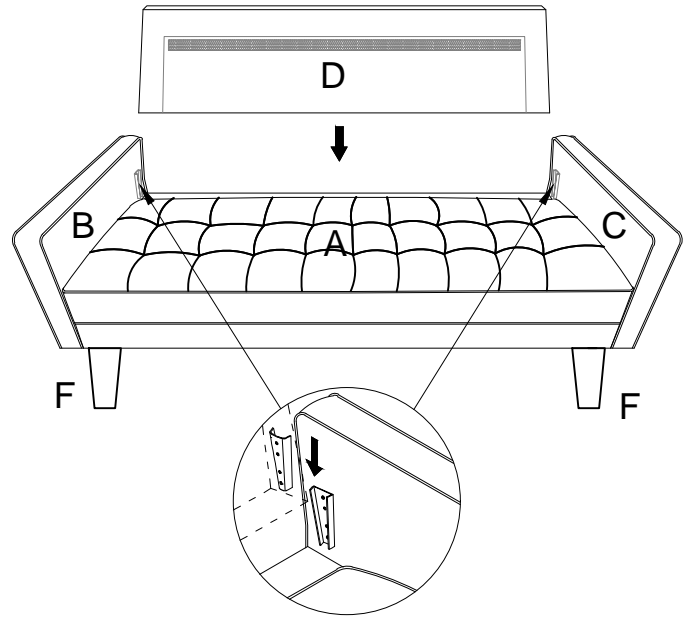
Step 3

Attach the Arm(B&C) to the Seat(A).



Step 4

Attach th Back frame(D) to the Arm(B&C).



Step 5

Place the Backrest(E) and Toss pillows(M) on the Seat(A).

