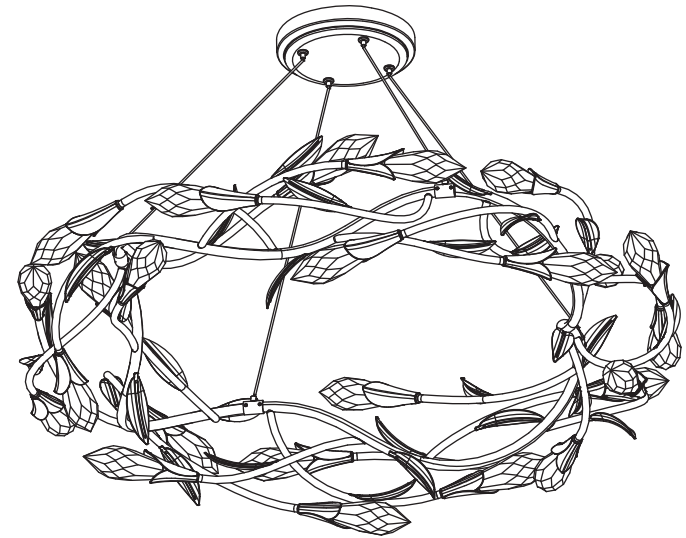


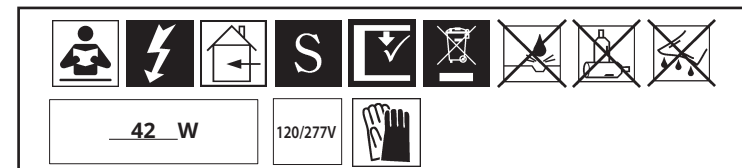
SCHONBEK
*Signature*TM

Secret Garden
S2434- __ __ OH

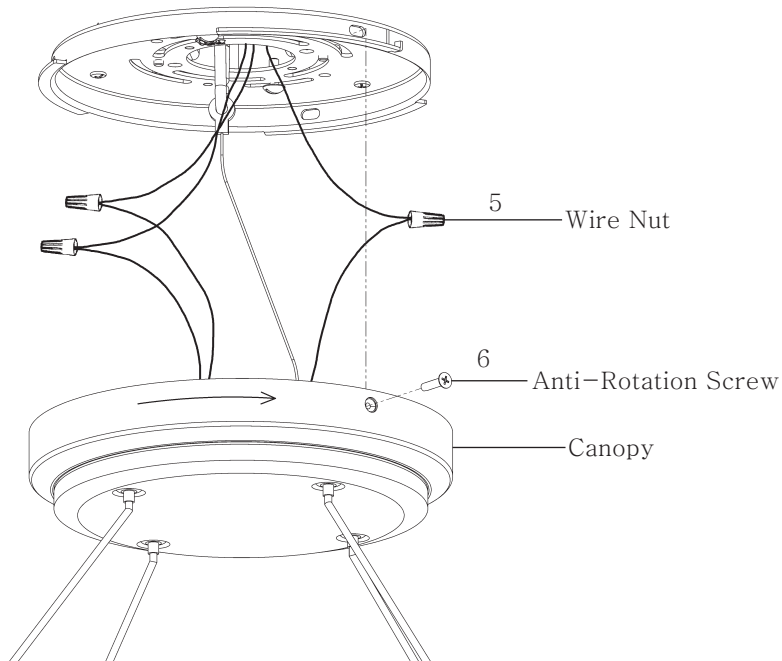
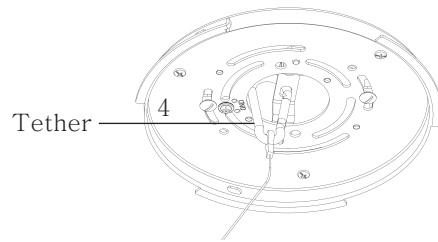
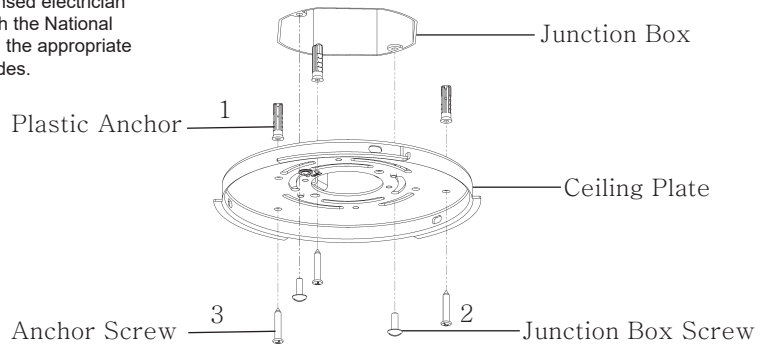


THIS DESIGN IS THE PROPRIETARY
TRADE DRESS/TRADEMARK OF
W SCHONBEK LLC.

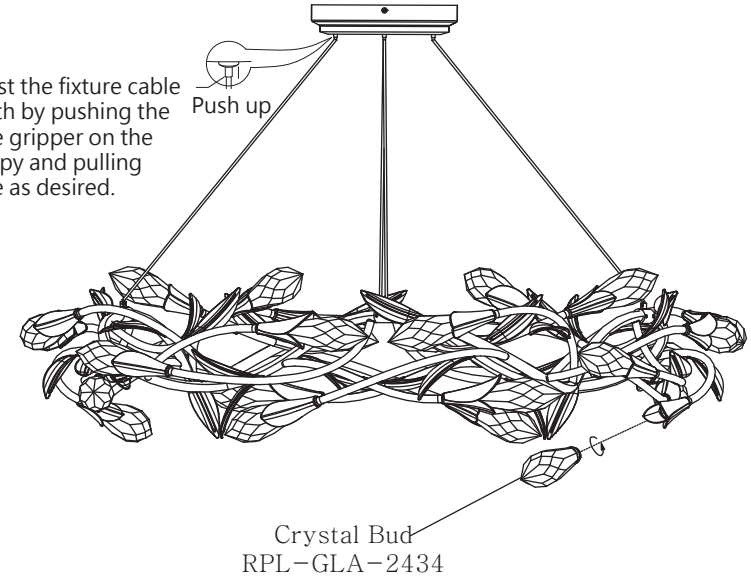
SCHONBEK
*Signature*TM



All electrical components must be installed by a licensed electrician in accordance with the National Electric Code and the appropriate local electrical codes.



Adjust the fixture cable length by pushing the cable gripper on the canopy and pulling cable as desired.



If required after adjusting suspension height, trim cables and make wiring connections as shown.

