

DJ0963BR/WTBR-160CM



SAFETY TIPS:

Static charge may cause dust on foam-clean with a dry or damp cloth. Small foam strands may be present-handle gently and dispose of properly. Do not burn or incinerate. Check local recycling guidelines.

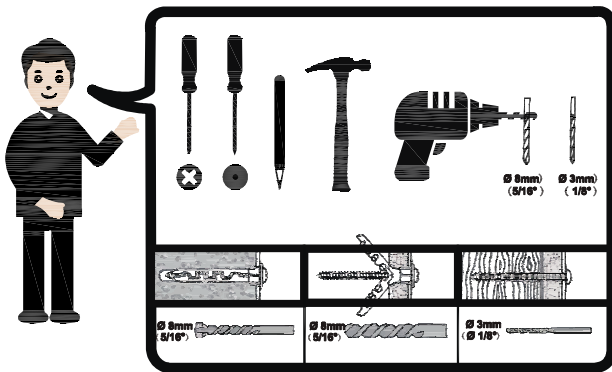
Important reminder:

- ⚠ Please sort and check all accessories before assembly.
- ⚠ Please place the product on empty cardboard box or carpet to avoid scratches on it,
- ⚠ Please use proper tools for assembly. Using an electric screwdriver can accelerate the assembly speed, but please do not overtighten the screws.
- ⚠ Please follow the assembly steps and do not skip any of them.
- ⚠ If possible, please find a partner to help you with assembly, which can accelerate assembly.
- ⚠ Keep all small parts of this product away from children. They may cause serious injury.
- ⚠ We hope you can retighten the screws 2 weeks after assembly, and check the tightening procedure of the screws every 3 months.

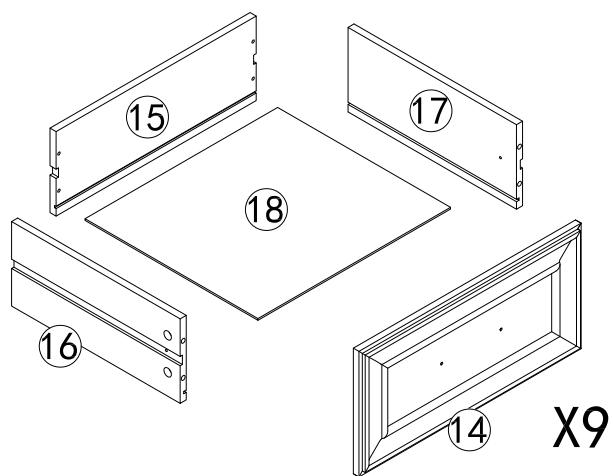
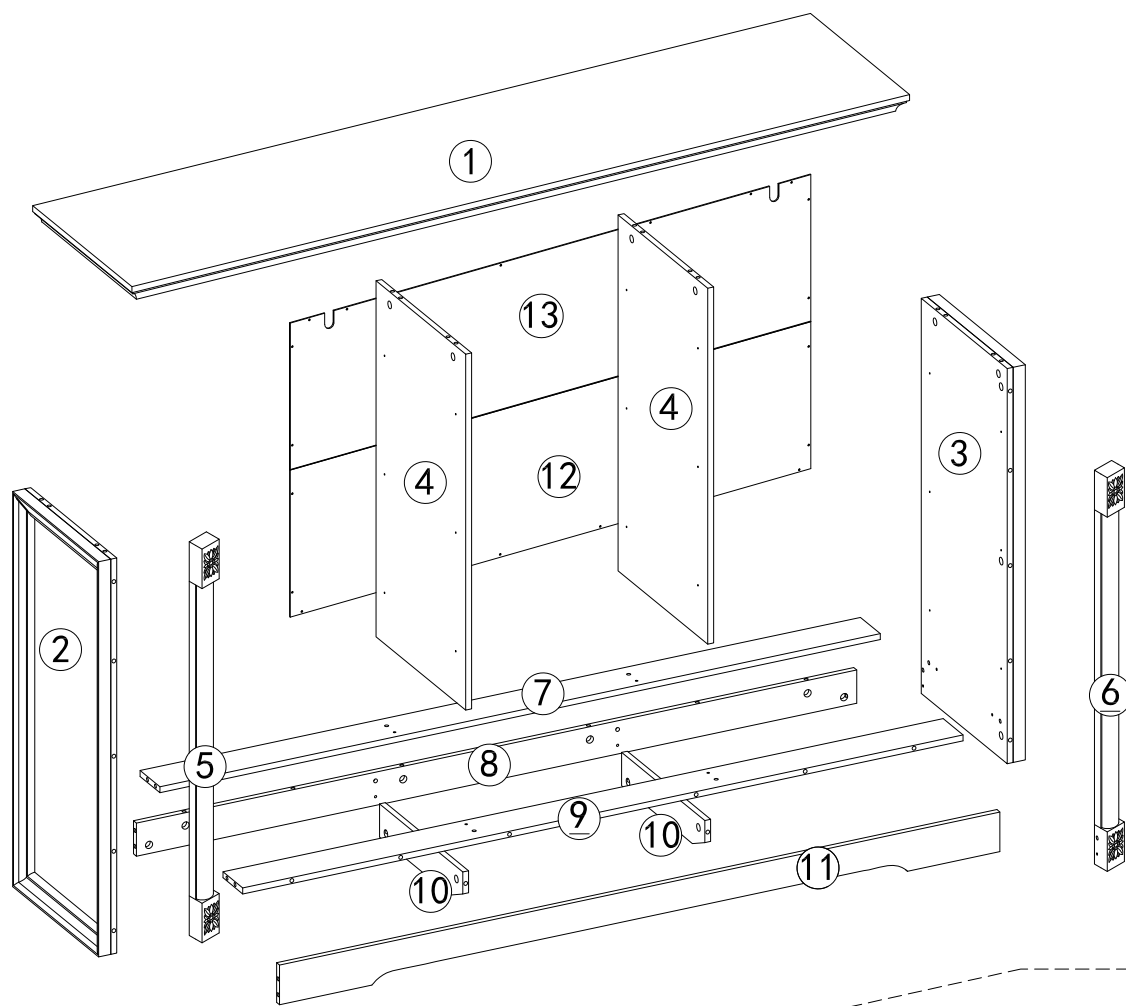
If you meet any difficulty, our friendly customer team are always ready to help you.

SAFETY TIPS:

Static charge may cause dust on foam - clean with a dry or damp cloth.
Small foam strands may be present - handle gently and dispose of properly.
Do not burn or incinerate. Check local recycling guidelines.



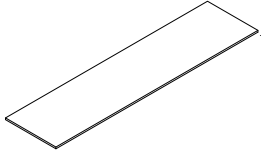

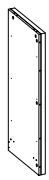
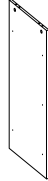





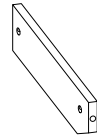

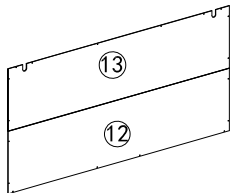
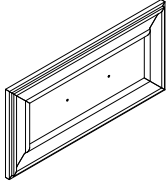
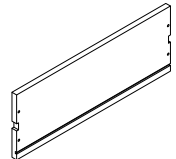
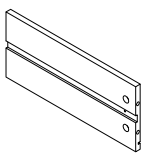
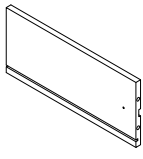
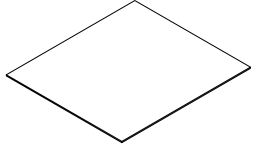
Warning:Overturning the product can cause serious crushing injuries. We have a wall connection device attached, please use it to hold the furniture following assembly instructions. Do not change the structure of this product in way. Our products have been tested and meet any all sales specific security measures. We won't be responsible for any modifications, which may cause significant security risks.



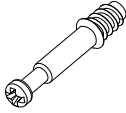

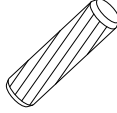

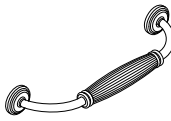
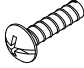

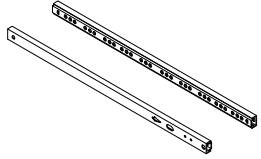
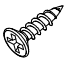
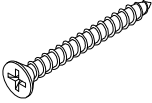
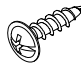

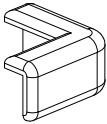
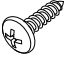
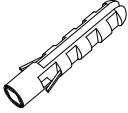
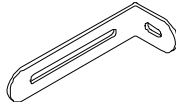
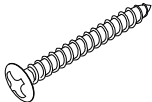

3

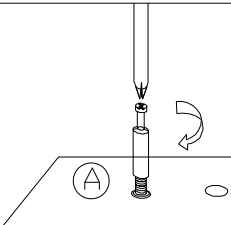
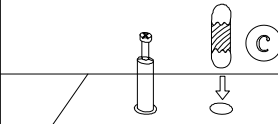
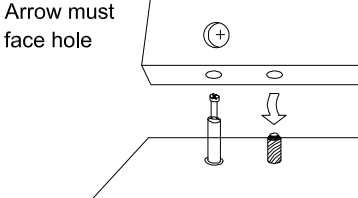
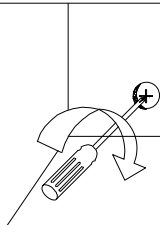
If you encounter any problems during installation, please contact our customer service.

Parts and Operation Elements

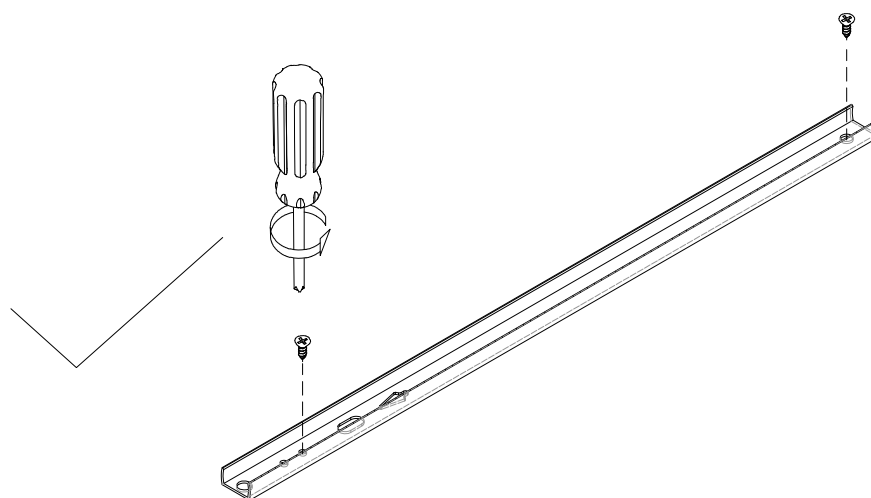
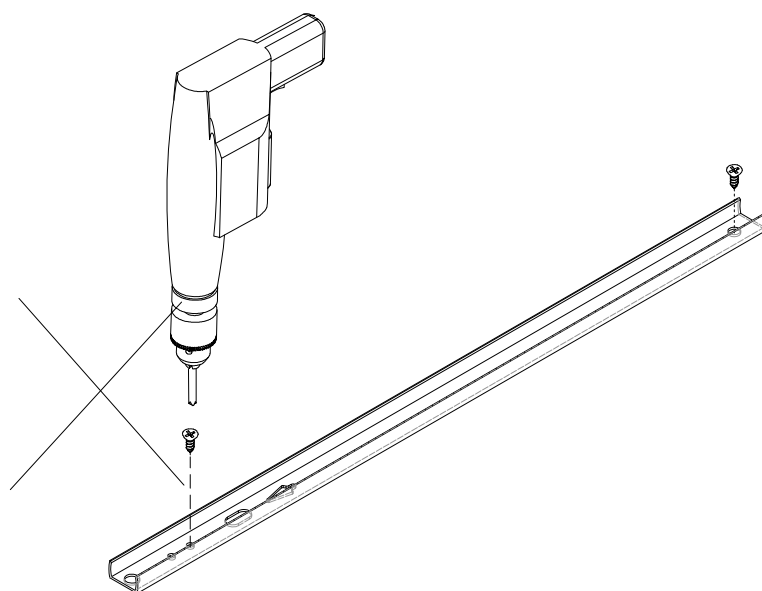
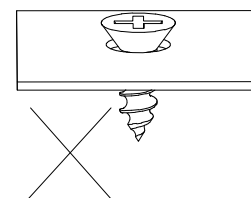
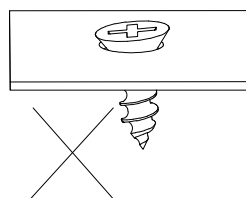
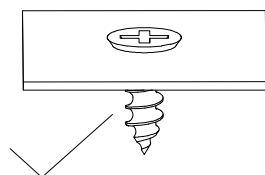
			
① 1pc	② 1pc	③ 1pc	④ 2pcs
			
⑤ 1pc	⑥ 1pc	⑦ 1pc	⑧ 1pc
			
⑨ 1pc	⑩ 2pcs	⑪ 1pc	⑫ 1pc ⑬ 1pc
			
⑭ 9pcs	⑮ 9pcs	⑯ 9pcs	⑰ 9pcs
			
⑱ 9pcs			

Hardware

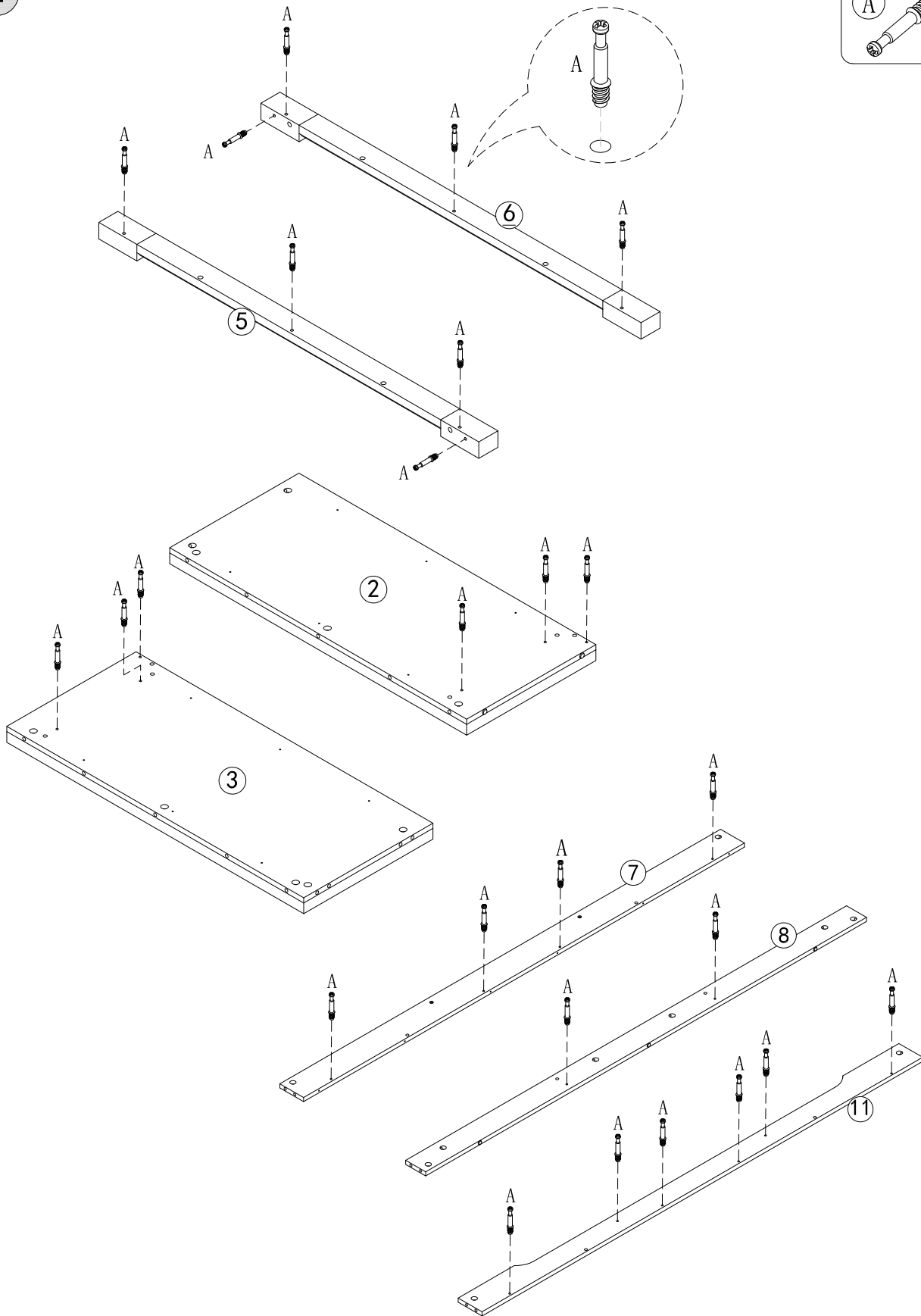
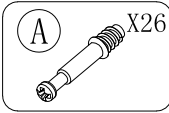
 L=25mm (A) 70+3pcs	 Ø15*10mm (B) 70+3pcs	 Ø6*30mm (C) 30+2pcs	 Ø25 (D) 70+3pcs
 L型147(孔距128) (E) 9pcs	 5/32"*10mm (F) 18+1pcs	 M4*12mm (G) 18+1pcs	 (H) 9pcs
 Ø3.5*12mm (I) 36+2pcs	 Ø4*30mm (J) 36+2pcs	 Ø3*12mm (K) 28+2pcs	 Ø5*50mm (L) 4pcs
 (M) 2pcs	 (N) 2pcs	 (O) 2pcs	 (P) 2pcs
 (Q) 2pcs	 1pc	SPAPEBAG	

			
<p>Gently screw cam bolt into the threaded anchor.</p>	<p>Insert the wood dowel halfway into hole.</p>		<p>Screw the camlock firmly into locked position.</p>

Please kindly note the following points when you assemble the sliders of the drawers



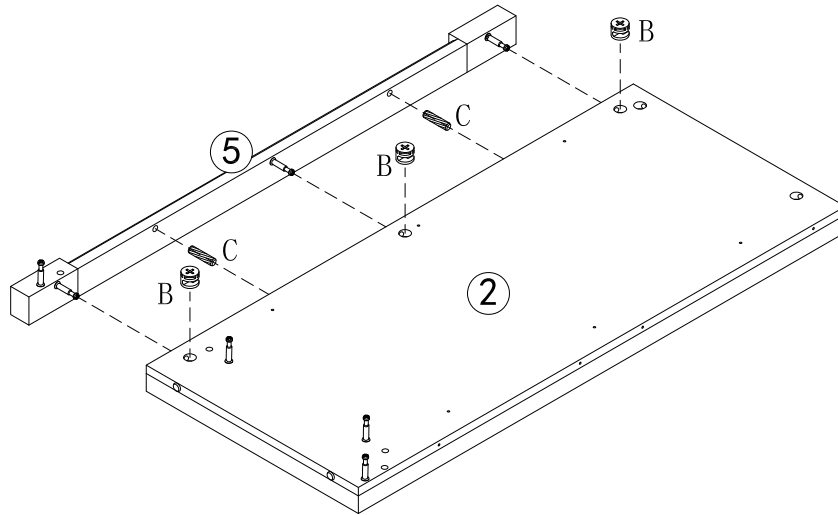
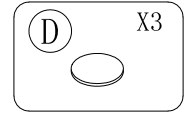
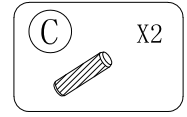
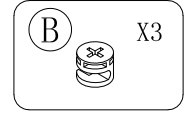
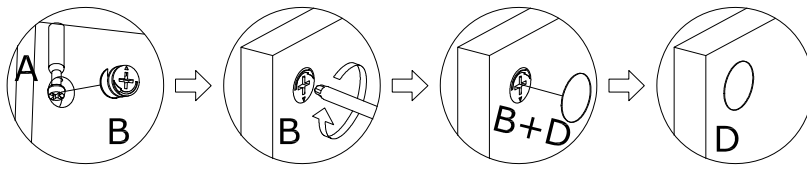
1



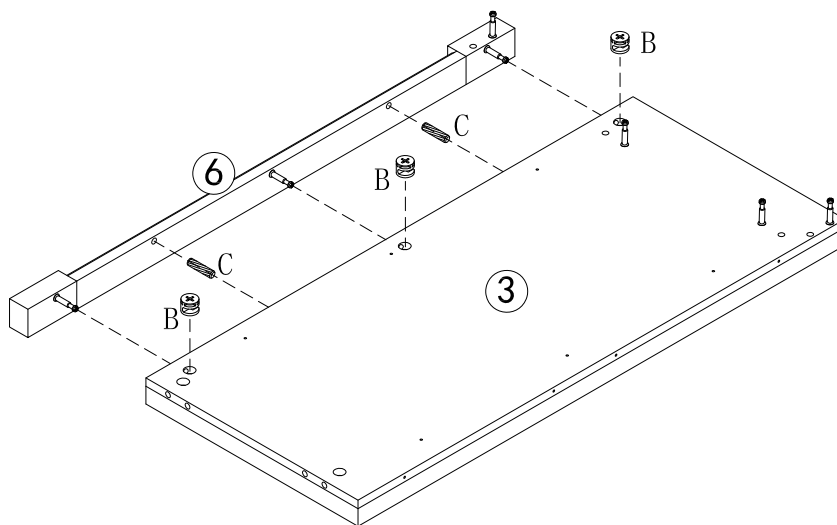
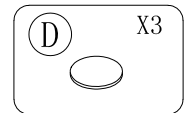
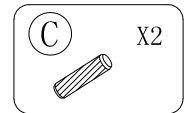
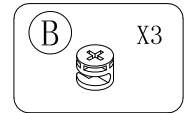
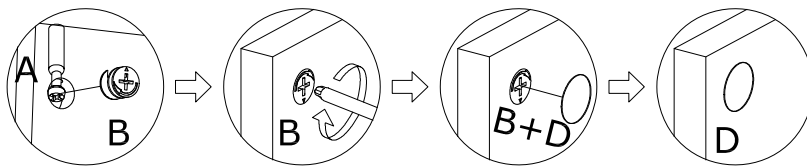
7

If you encounter any problems during installation, please contact our customer service.

2

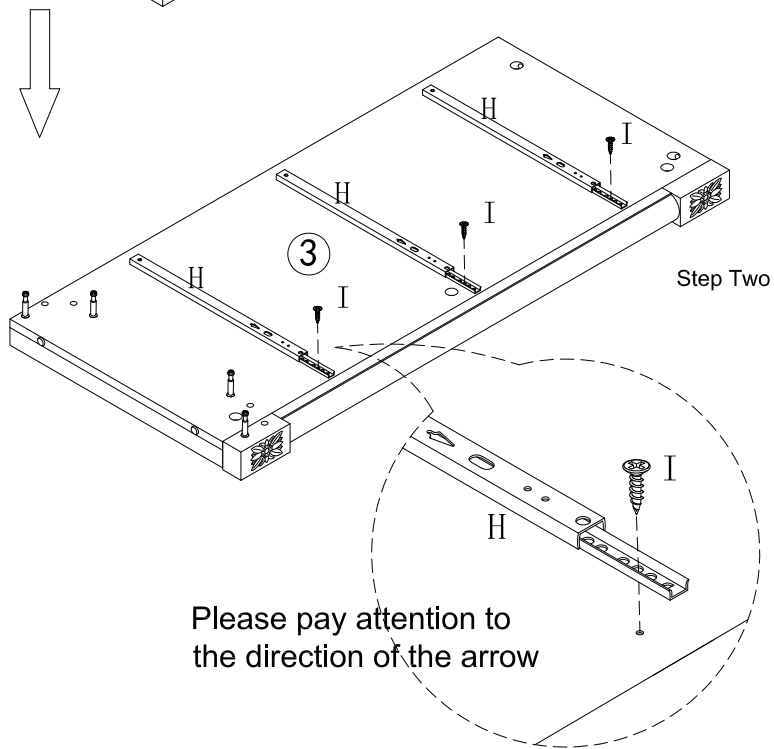
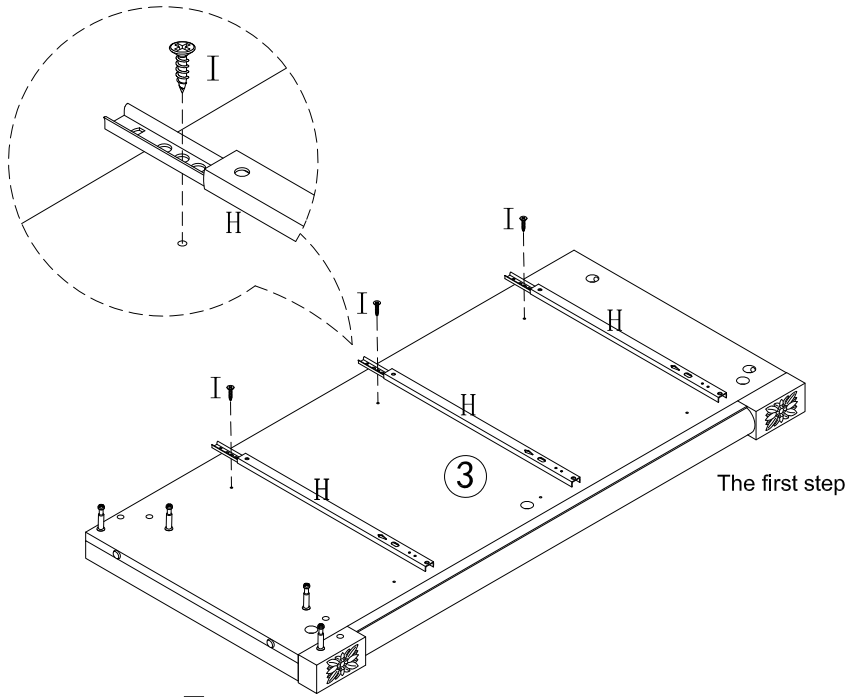
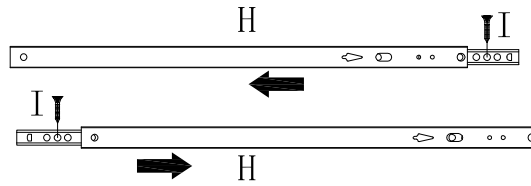
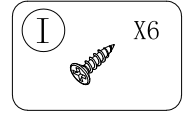
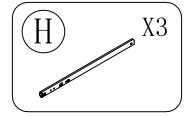


3



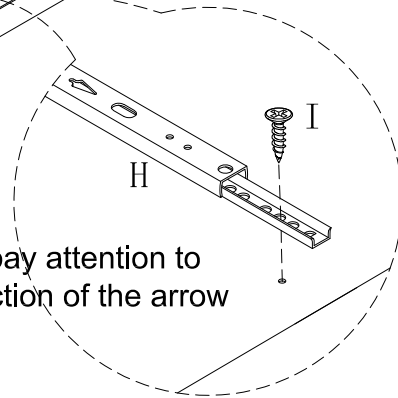
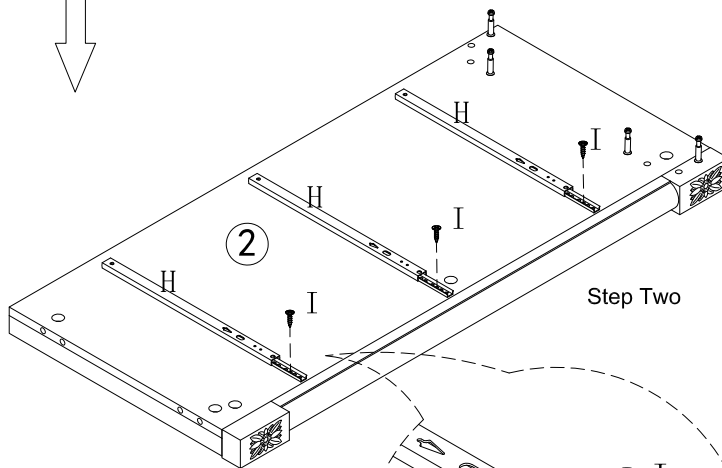
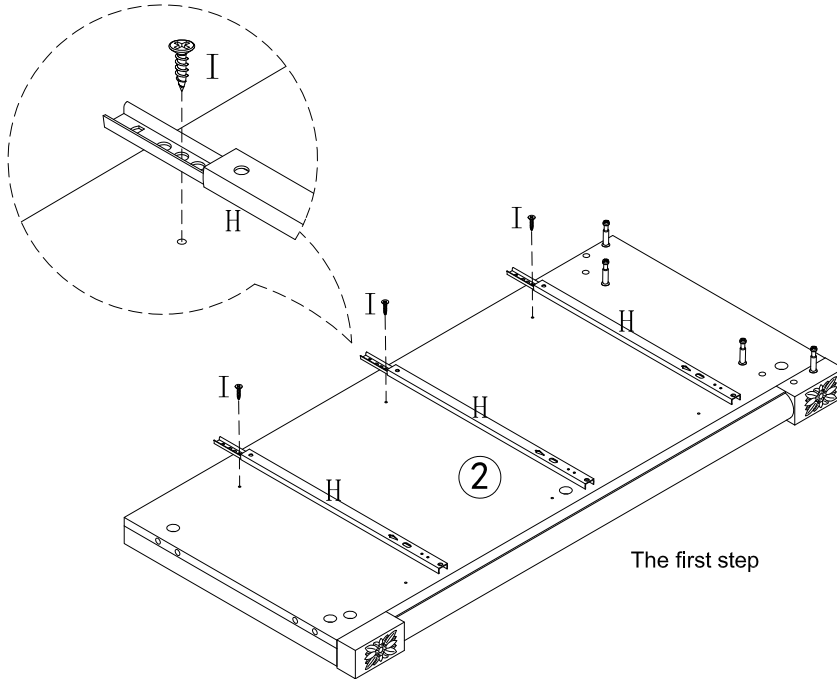
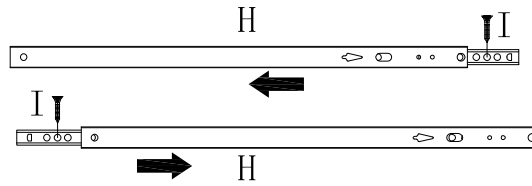
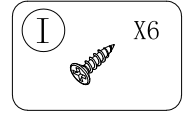
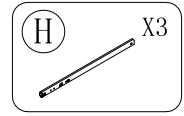
4

After locking one screw, slide the rail to lock the other screw



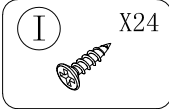
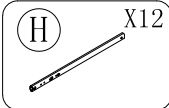
5

After locking one screw, slide the rail to lock the other screw

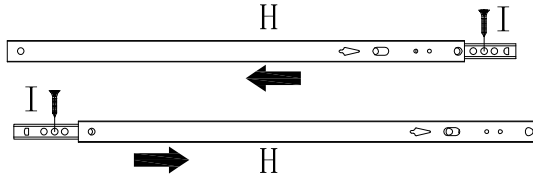


Please pay attention to the direction of the arrow

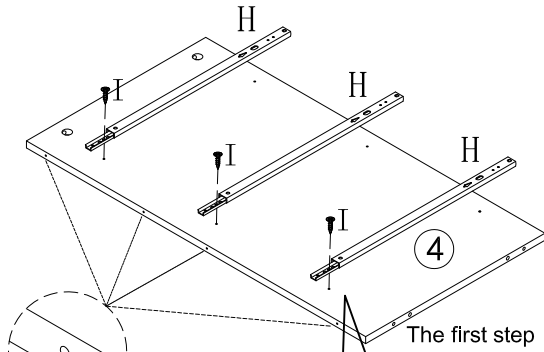
6



After locking one screw, slide the rail to lock the other screw

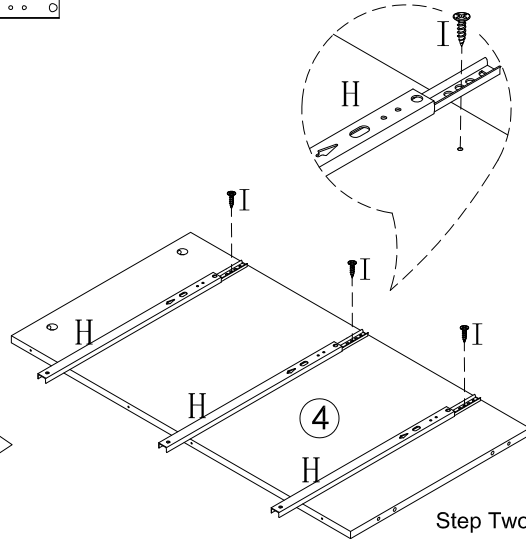


Please pay attention to the direction of the arrow



The first step

Note: There are lead holes at the back



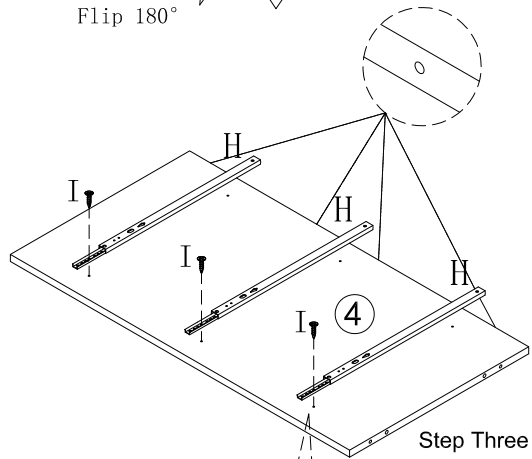
Step Two

X2

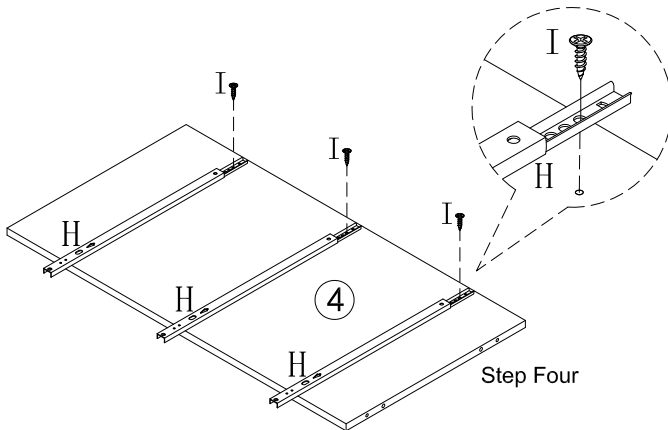


Note: There are lead holes at the back

After locking one screw, slide the rail to lock the other screw



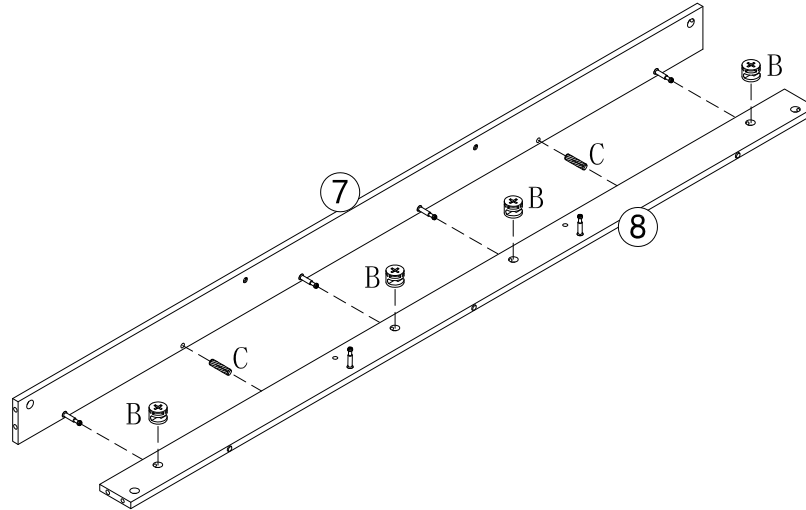
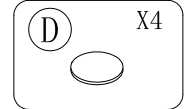
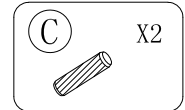
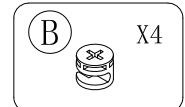
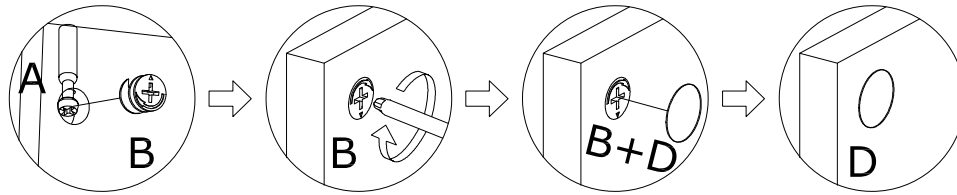
Step Three



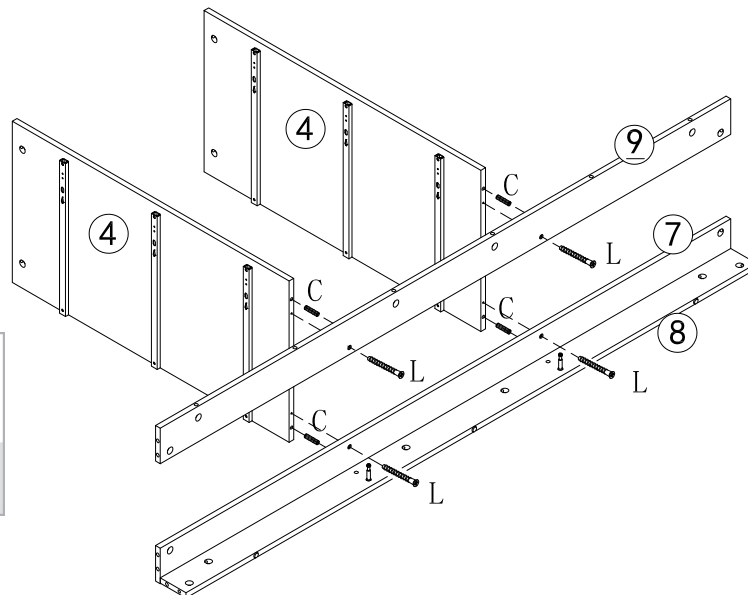
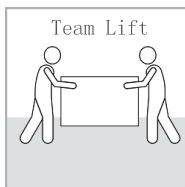
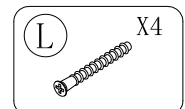
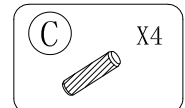
Step Four

Please pay attention to the direction of the arrow

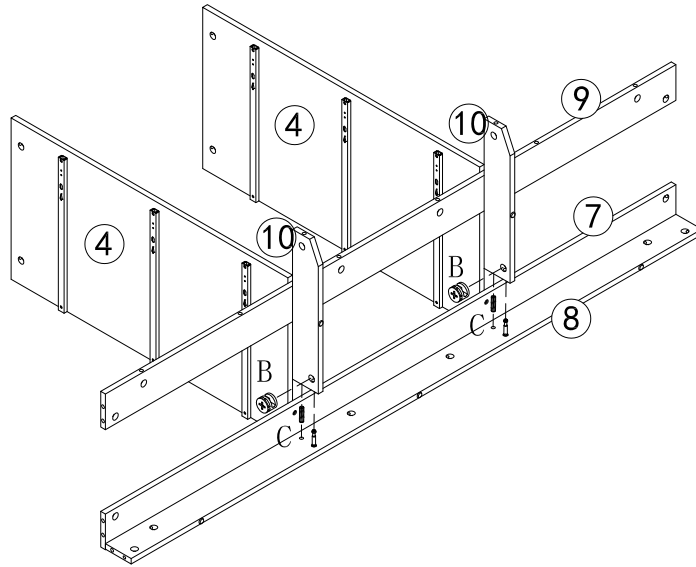
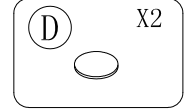
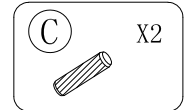
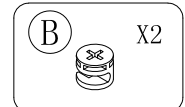
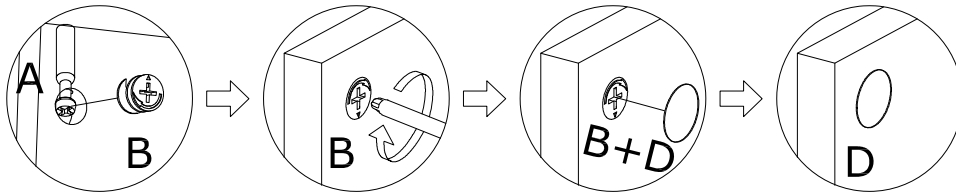
7



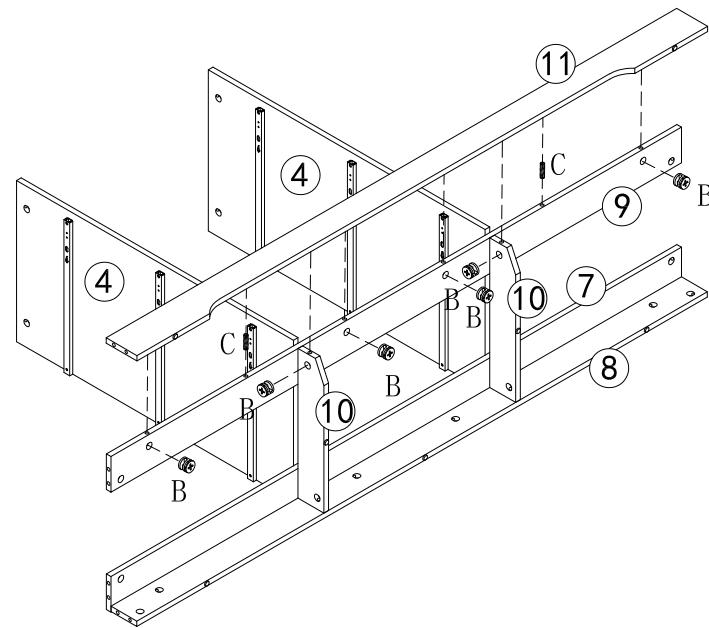
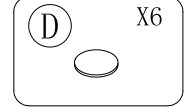
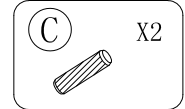
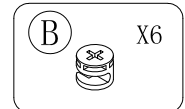
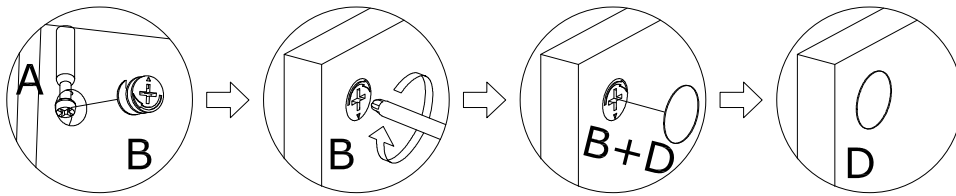
8



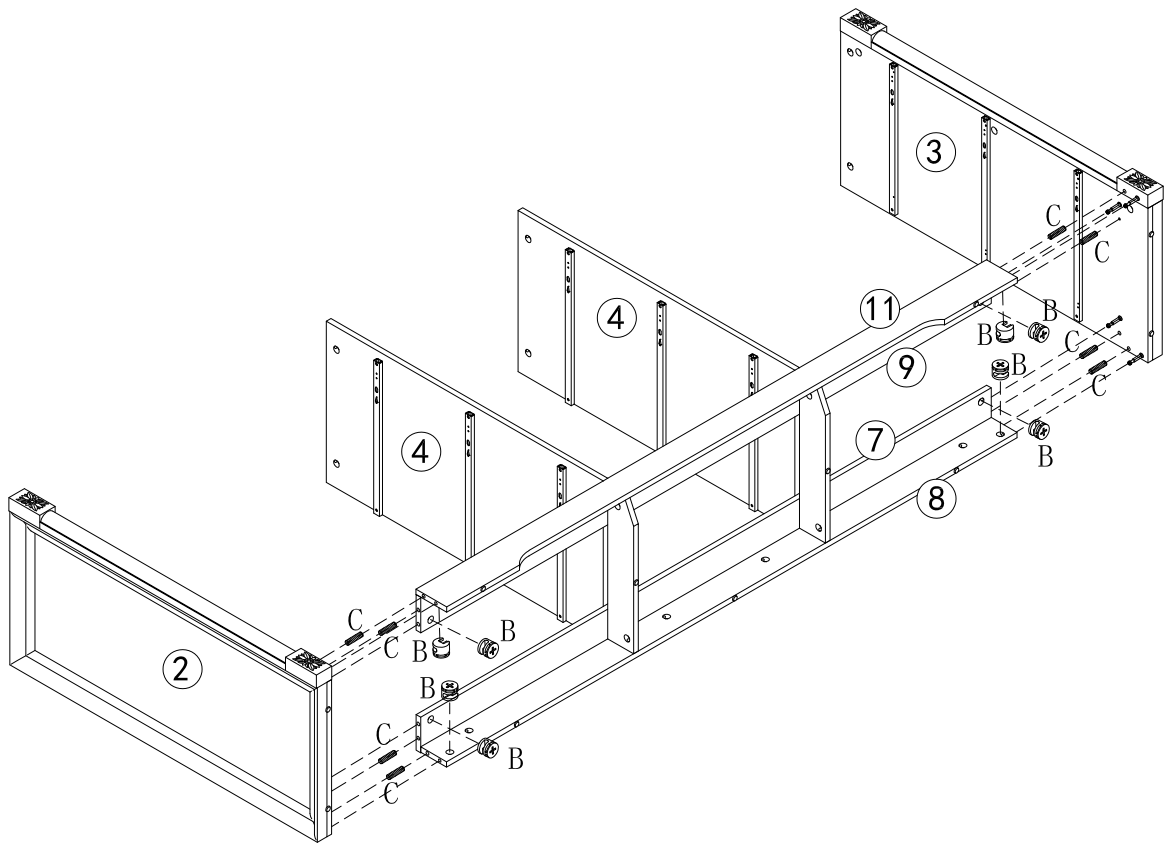
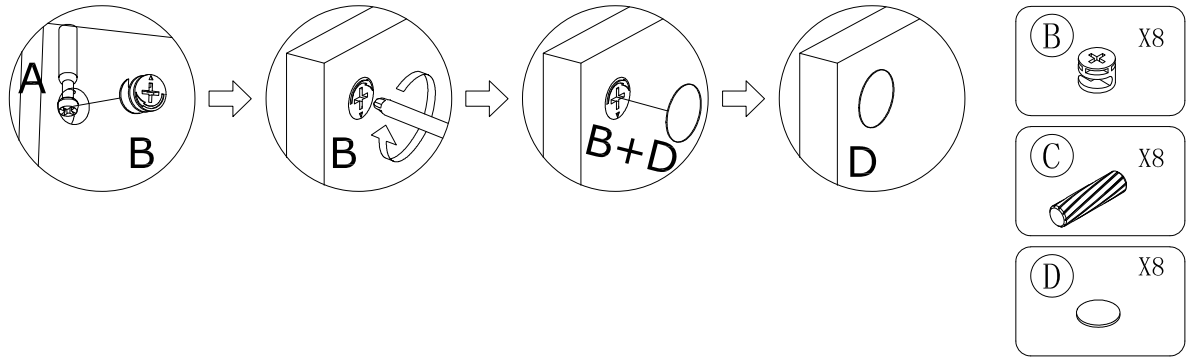
9



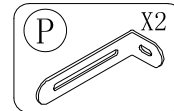
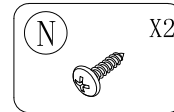
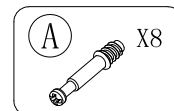
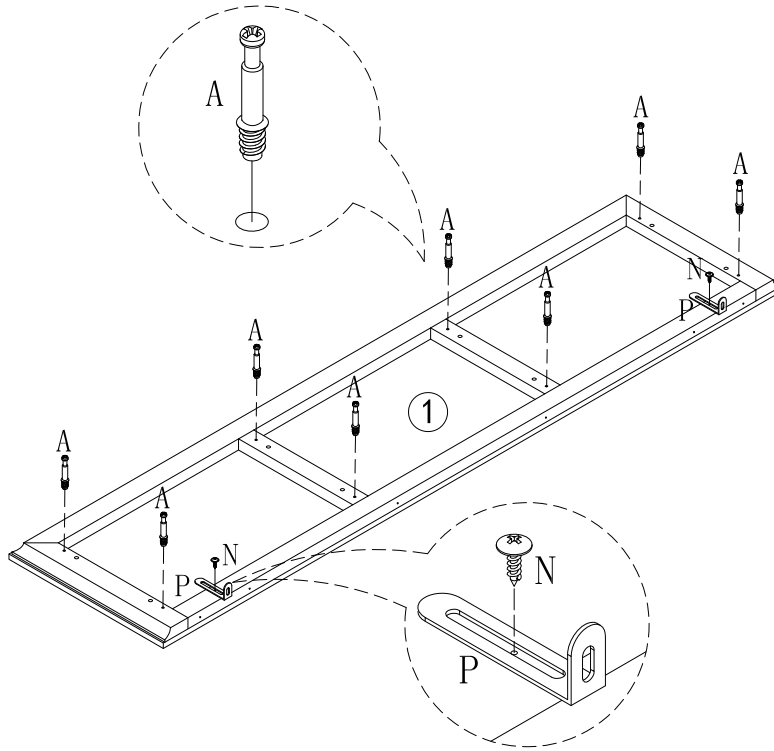
10



11

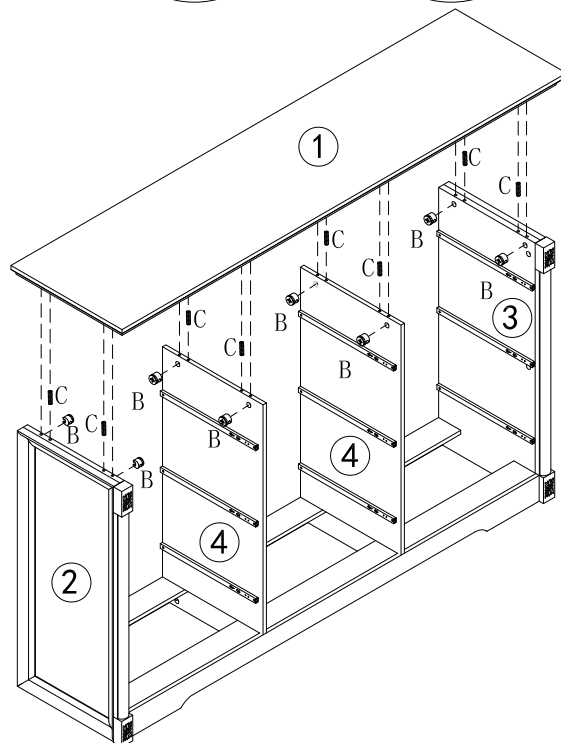
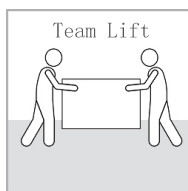
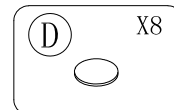
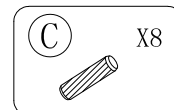
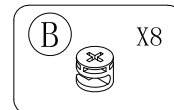
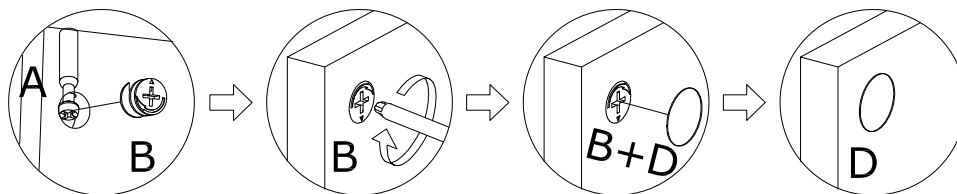


12



Note: After installing the hardware N and P, keep the hardware O and Q for later installation

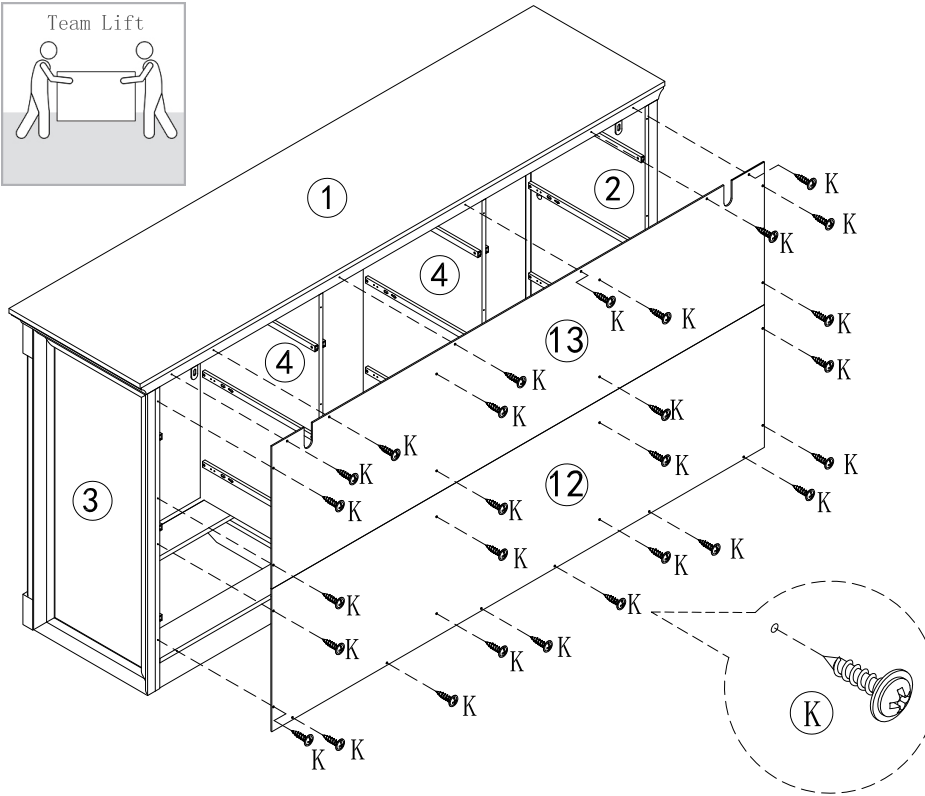
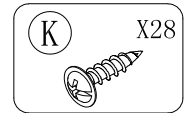
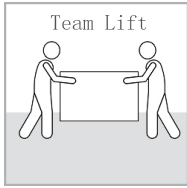
13



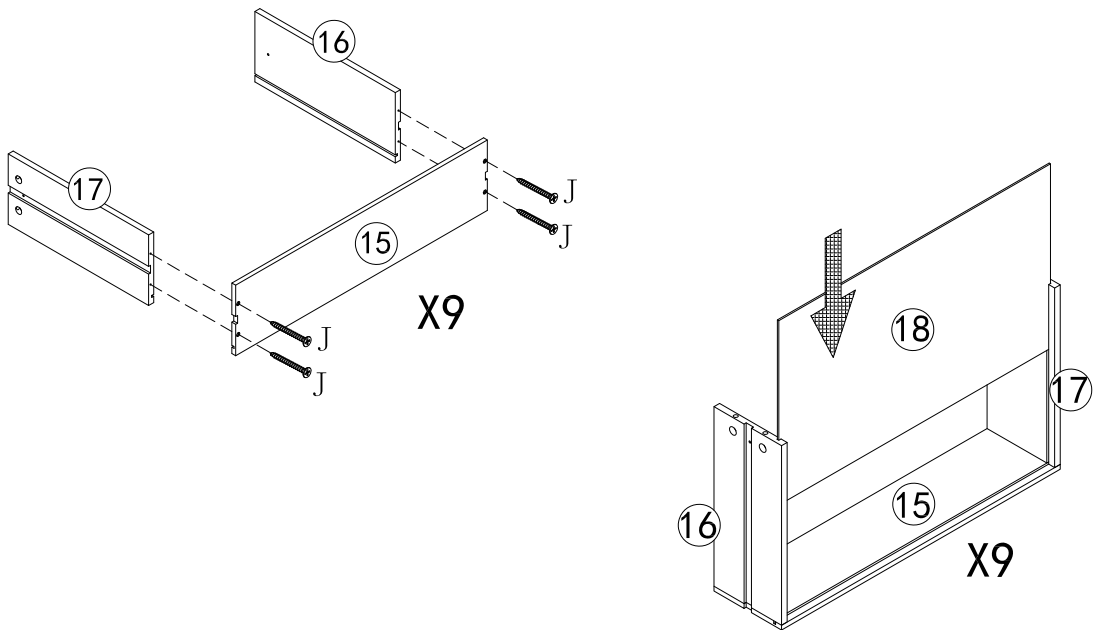
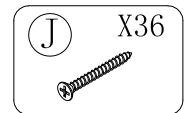
15

If you encounter any problems during installation, please contact our customer service.

14



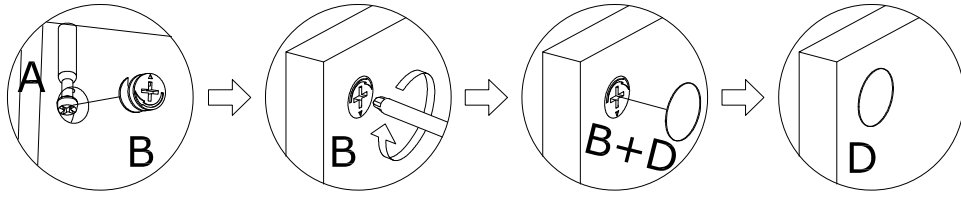
15



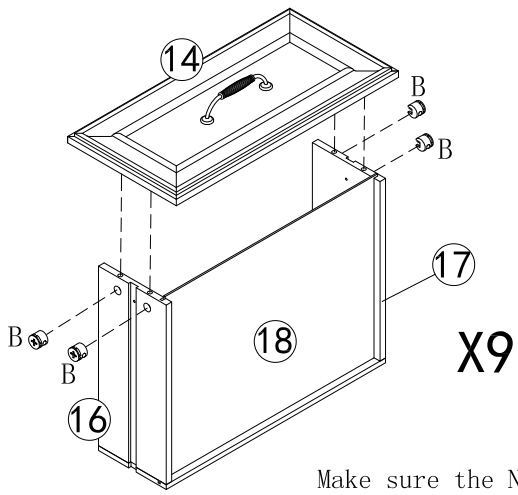
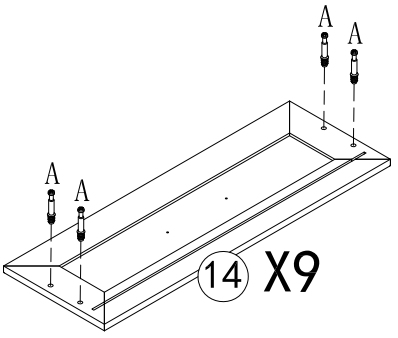
16

If you encounter any problems during installation, please contact our customer service.

16



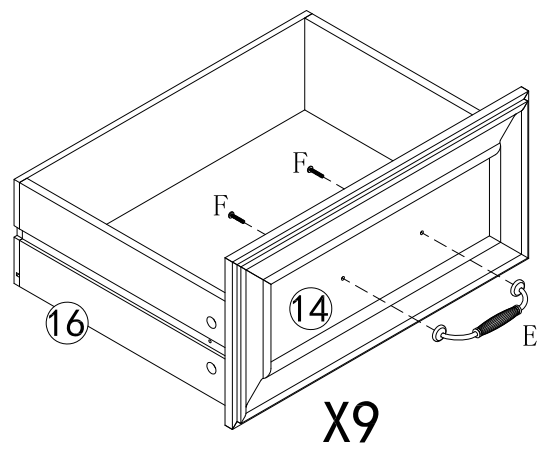
- (A) X36
- (B) X36
- (D) X36



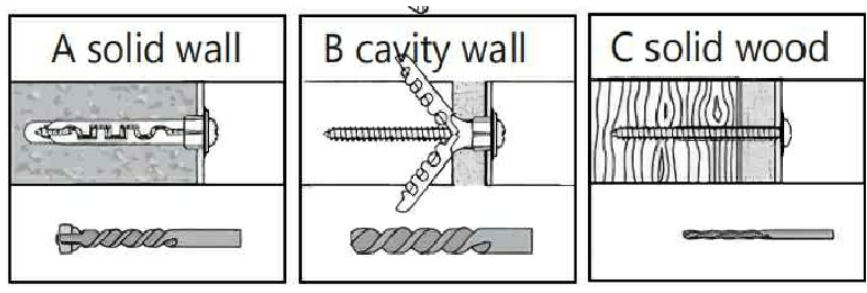
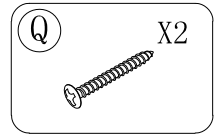
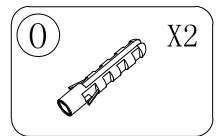
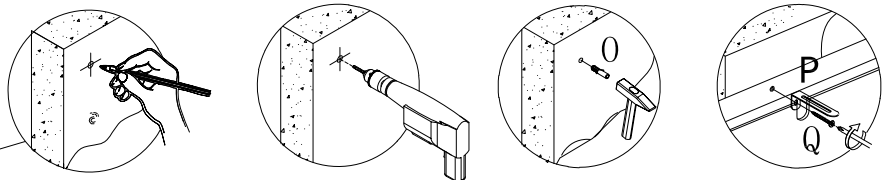
Make sure the No. 18 board is fully inserted into the slot and then locked

17

- (E) X9
- (F) X18

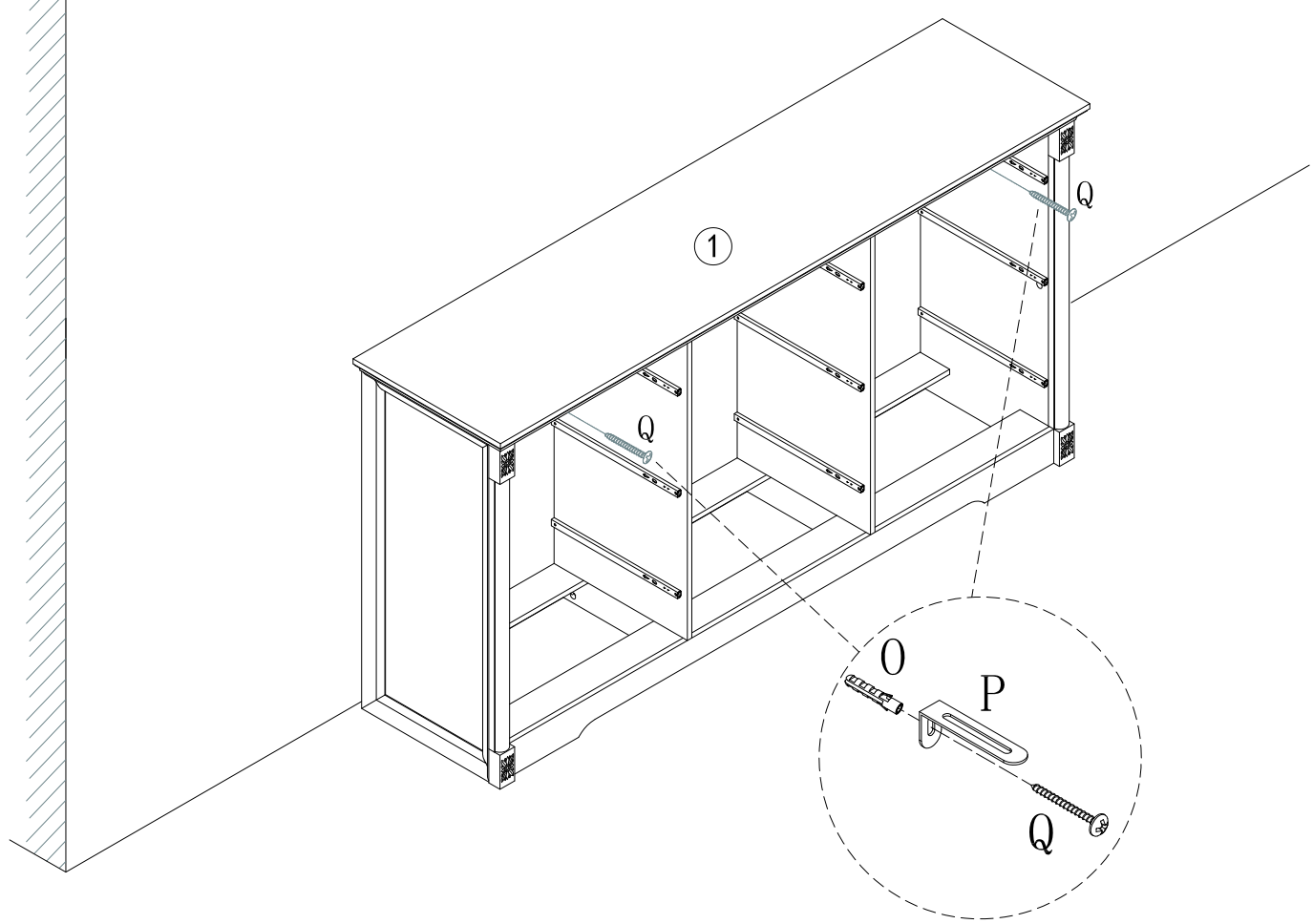


18

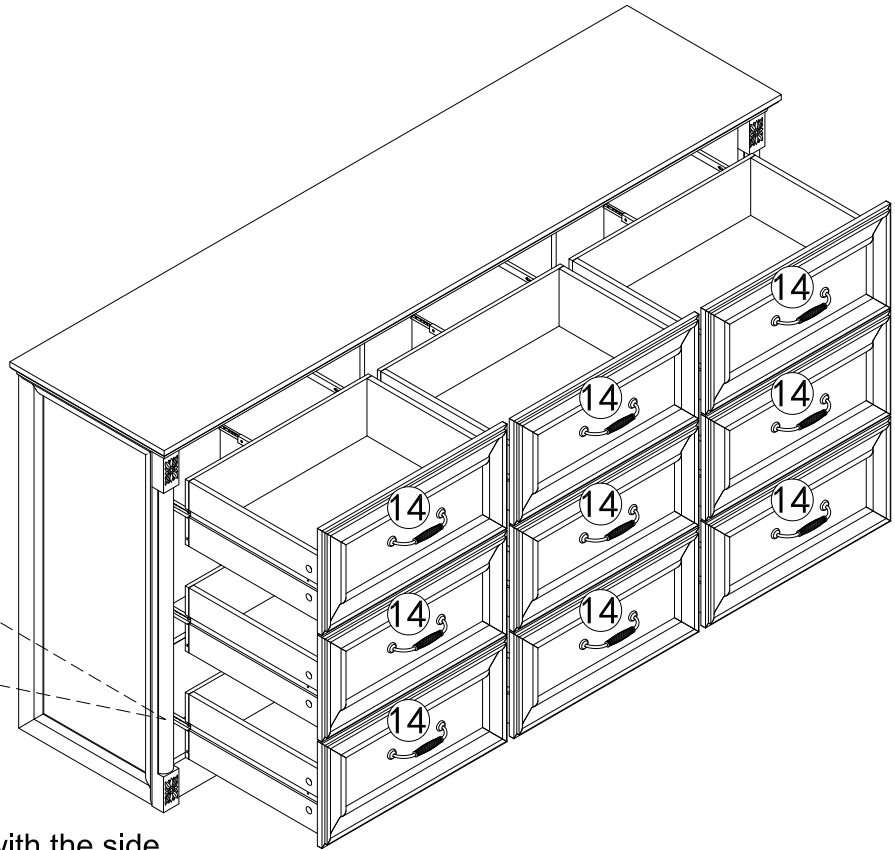
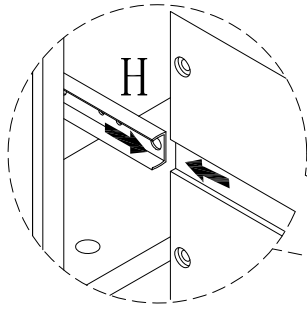
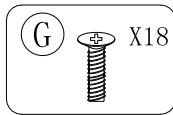


⚠ Warning: If you overturn the furniture, it may cause serious or fatal crushing injuries. We have a wall connection device attached, please use it to hold the furniture following these instructions.

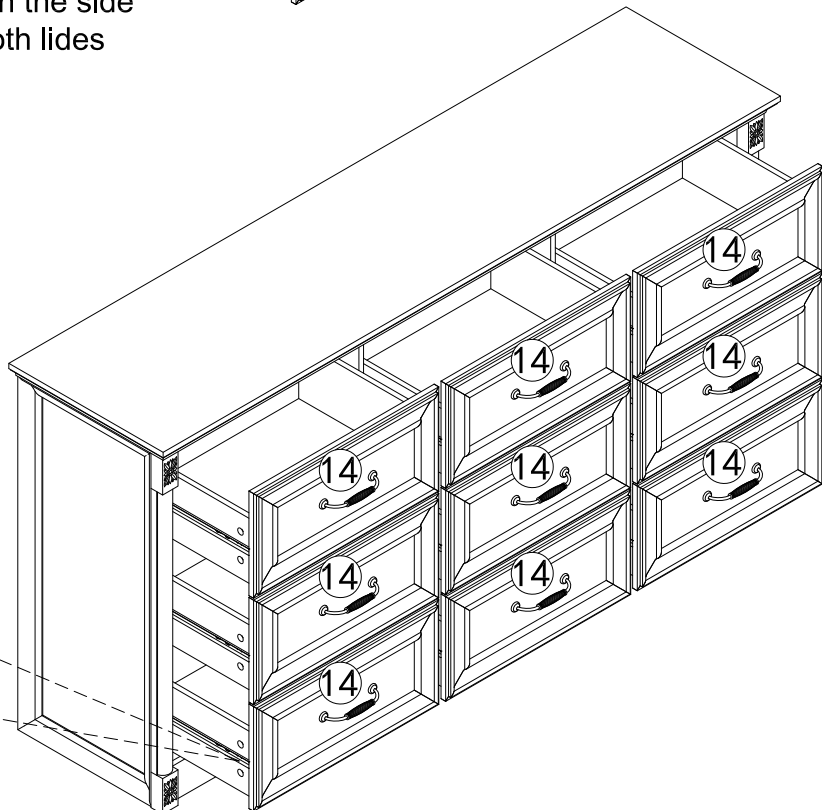
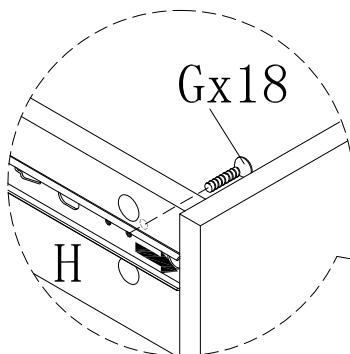
1. Mark the corresponding hole positions where you want to place the furniture;
2. Use a impact drill to drill holes and pay attention to avoid wires and water pipes;
3. Knock the expansion pipes into the wall holes;
4. Place the furniture in the corresponding position and tighten the wall connection device with screws.



19

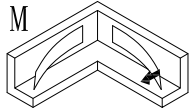
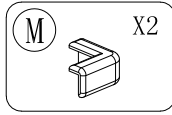


1. Align the track with the side groove and insert both lides simultaneously

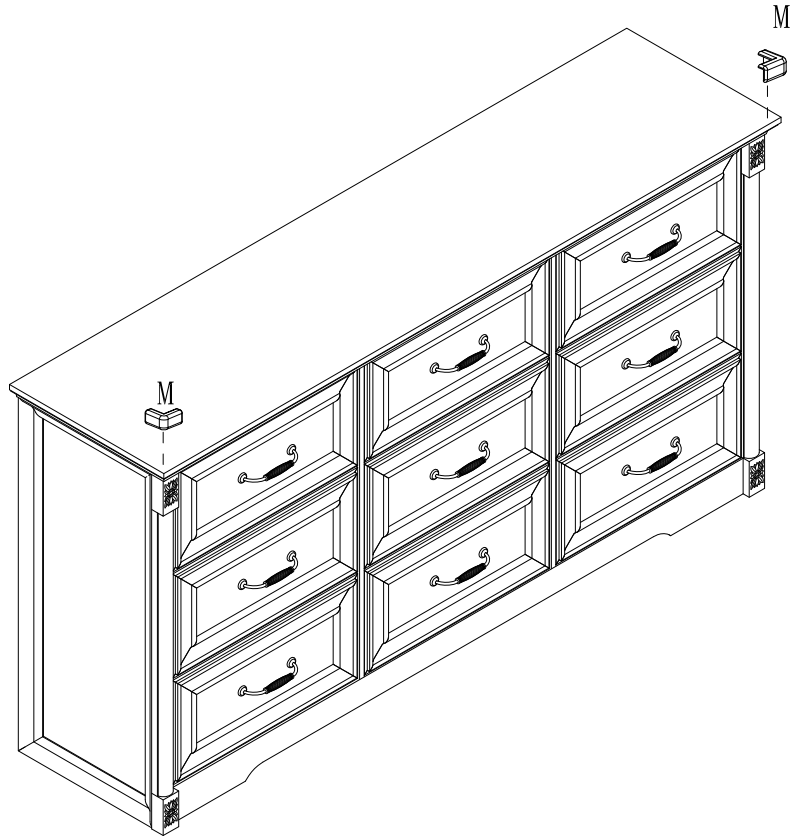


2. push the track to the bottom and tighten the screws from the inside of the board

20



After tearing off the inner adhesive tape of the hardware M, stick it to the corresponding position



21



20

If you encounter any problems during installation, please contact our customer service.