

Assembly Instructions

N769P415630

N769P415631

N769P415632

Caution: You must read these Assembly Instructions before you proceed

Care & Maintenance



- Do not put hot items directly on furniture surface.



- Do not clean furniture with harsh cleansers or polish.



- To obtain the longest lifespan of your outdoor product minimizing exposure to direct sunlight is recommended.



- Children should not climb or jump on the furniture.



- Do not write on furniture without a padded barrier to protect the surface.



- To obtain the longest lifespan of your outdoor products, avoid extended and lengthy exposure to rain, snow, and direct sunshine. Whenever possible cover the product and /or place under patio or awnings.



- Not for commercial use. For residential use only.



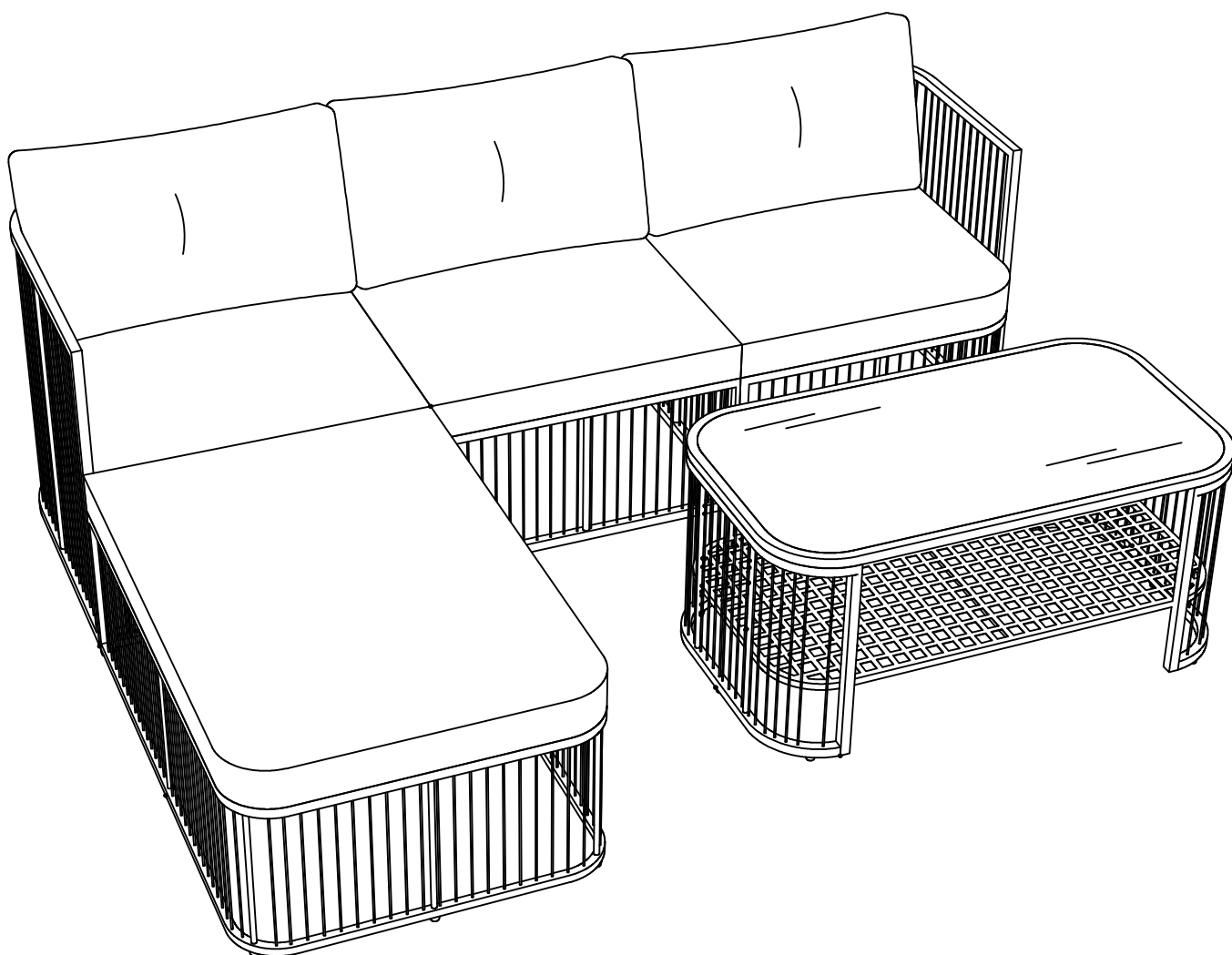
- Stains may be removed with mild soap solution and damp cloth.



- Dust and pick-up spills using a clean, non-colored, lint-free cloth.

Please look into the **Seat Panel** for hardware packs.

SARDINIA SOFA SET


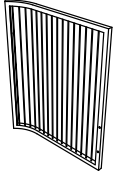
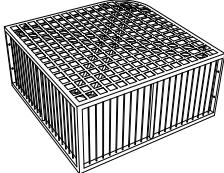


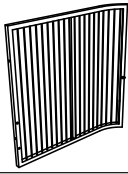
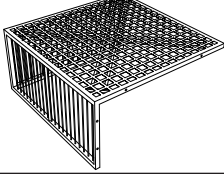

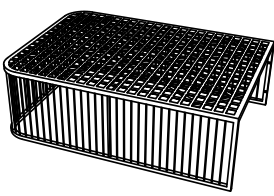
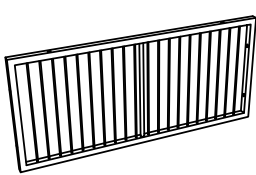


Caution: This Sofa is NOT a TOY.

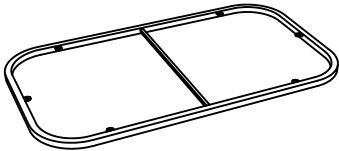
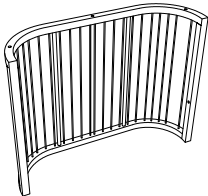
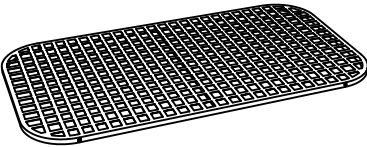
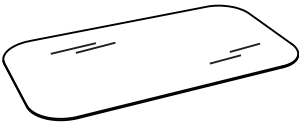
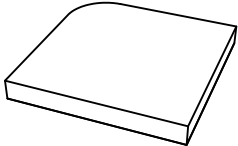
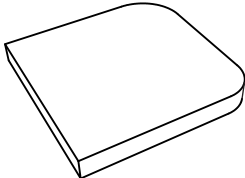
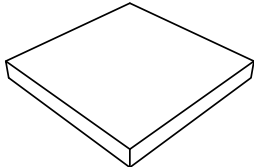
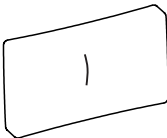
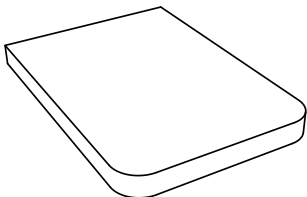
Keep your child / children at bay during the assembly process.

Whenever lifting or moving the Sofa and to prevent any damage to it, two adults may be needed to execute these actions.











Part List

Label	Picture	Description	Qty
A		Right arm	1
B		Left arm	1
C		Seat right corner	1
D		Seat left corner	1
E		Right corner backrest	1
F		Left corner backrest	1
G		Seat armless	1
H		Backrest armless	1
J		Ottoman	1
K		Side ottoman	1

Part List

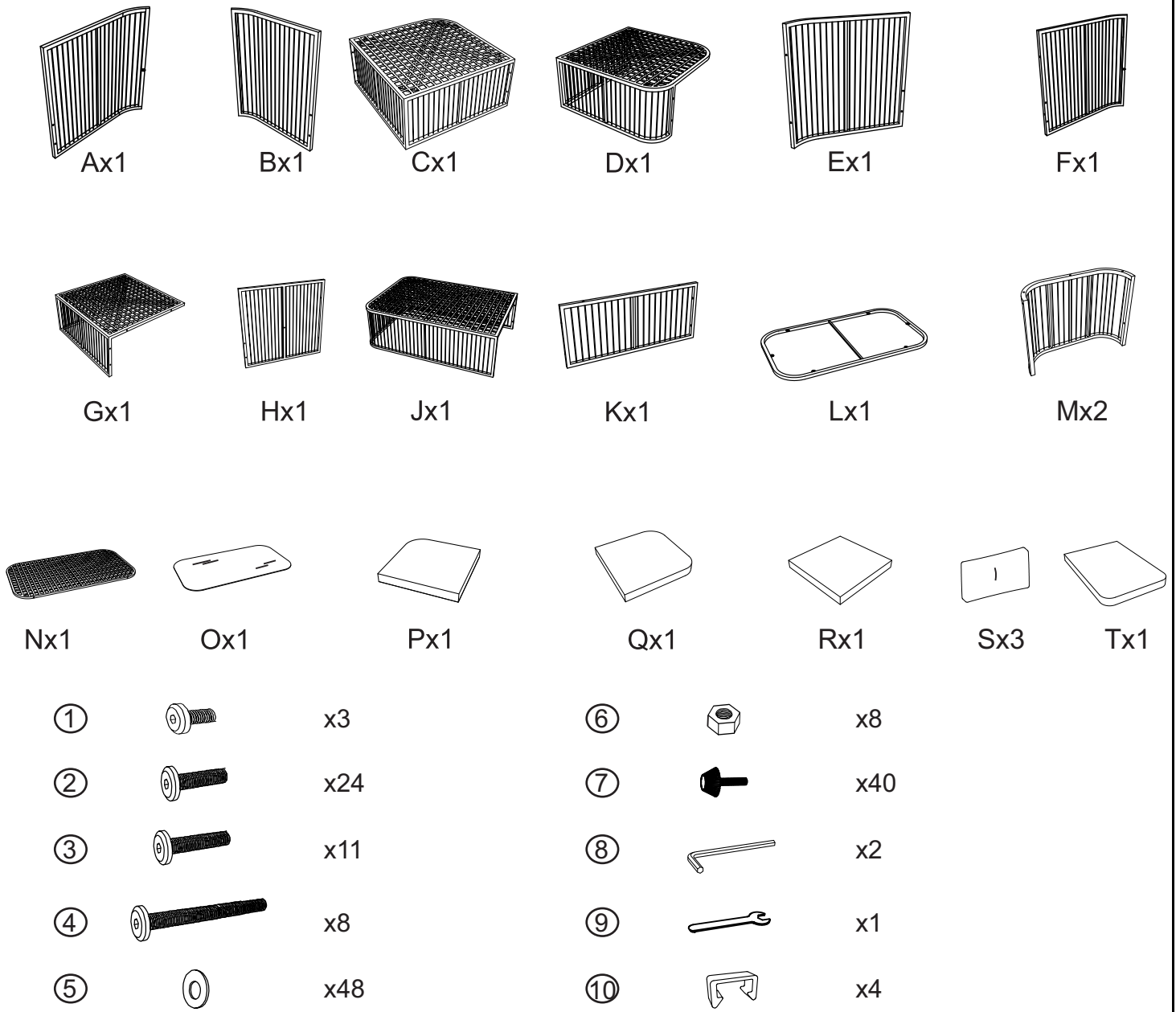
Label	Picture	Description	Qty
L		Table top	1
M		Leg table	2
N		Sheft table	1
O		Glass	1
P		Right cushion corner	1
Q		Left cushion corner	1
R		Cushion armless	1
S		Pillow	3
T		Cushion Ottoman	1

Hardware

No.	Picture	Description	Qty
1		Bolt M6x20	3
2		Bolt M6x35	24
3		Bolt M6x40	11
4		Bolt M6x60	8
5		Flat washer M6	48
6		Nuts M6	8
7		Adjustable Feet	40
8		Allen wrench	2
9		Wrench M6	1
10		Plastic connector	4

Assembly Preparation

Before Beginning Assembly:



- Read instructions, cover to cover-



- Have 2 adults on hand for assembly-



- Do not assemble on flooring or carpet-



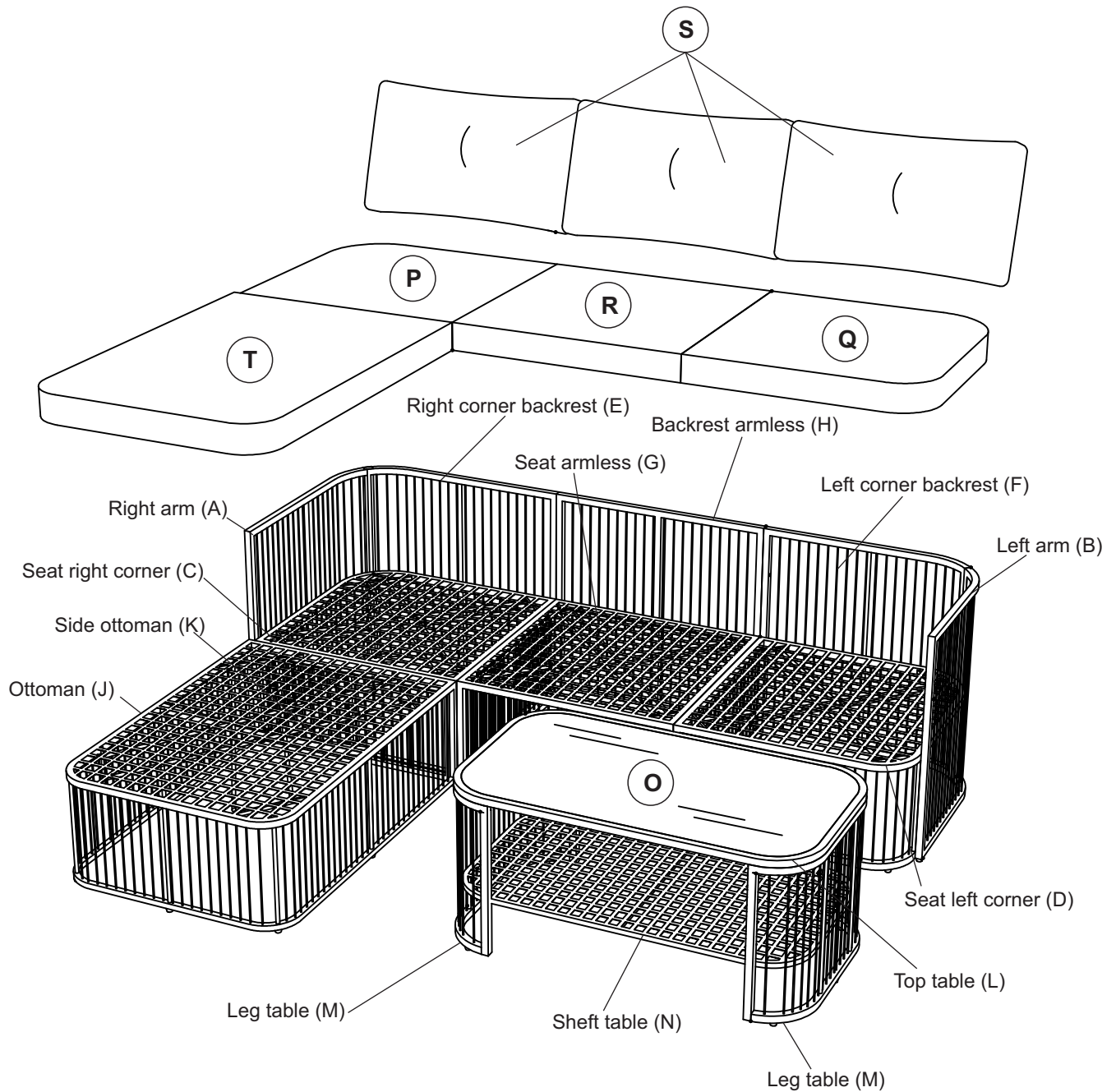
- Assemble on a clean non-marring surface (packing foam)-



- Save all packaging until finished-

Assembly Steps

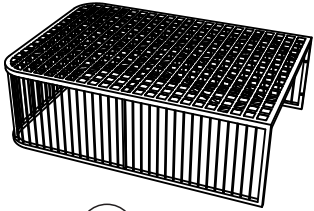
Overview



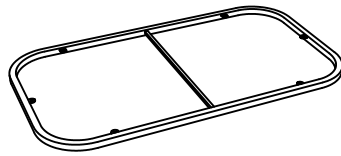
This Sofa has multiple parts and may require up to 30 minutes to assemble. To give you an overview of the Sofa parts, the above picture is to help you put the various parts into perspective. Please read through the instructions below to familiarise yourself with the parts and steps before assembly.

CARTON CONTENT:

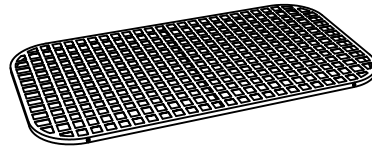
N769P415630



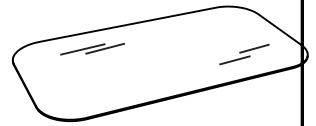
J x1



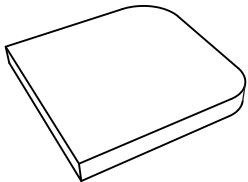
L x1



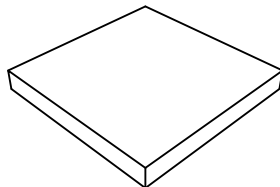
N x1



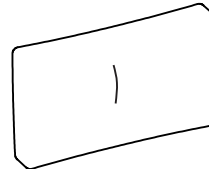
O x1



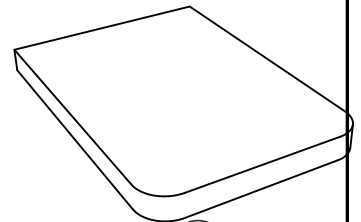
Q x1



R x1

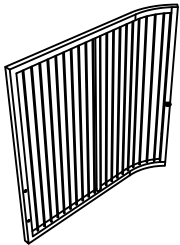


S x1

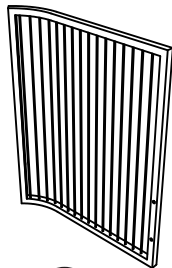


T x1

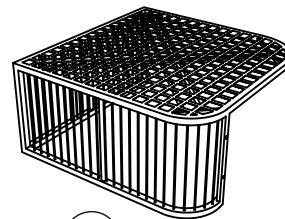
N769P415631



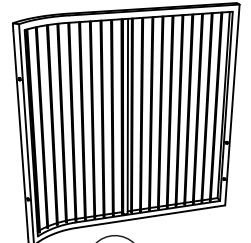
A x1



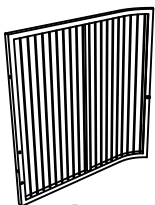
B x1



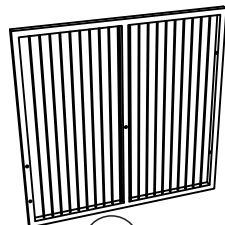
D x1



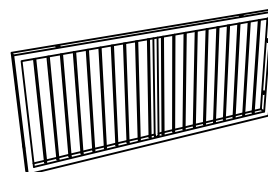
E x1



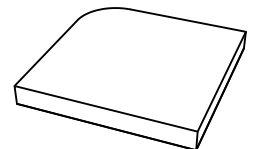
F x1



H x1

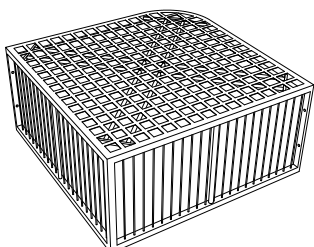


K x1

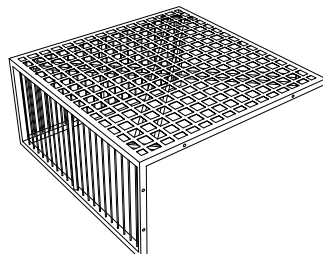


P x1

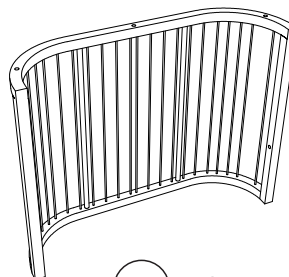
N769P415632



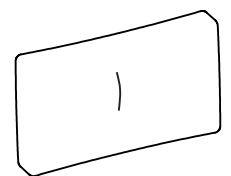
C x1



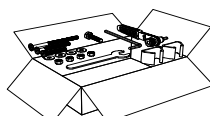
G x1



M x2

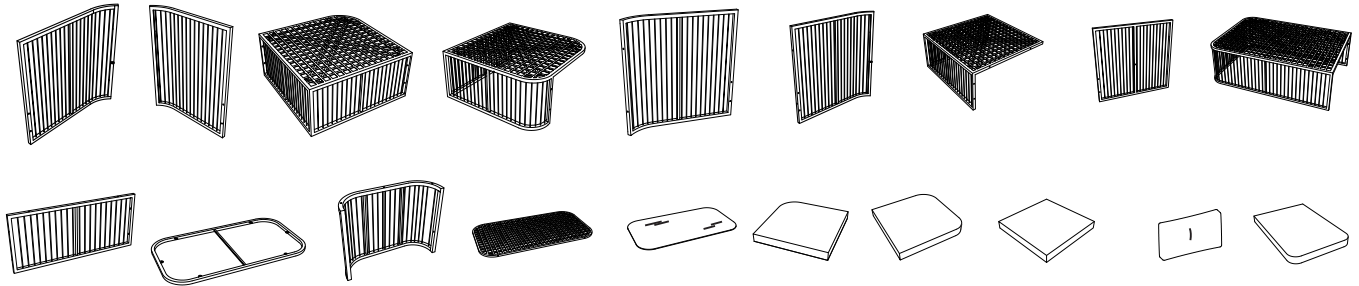


S x2



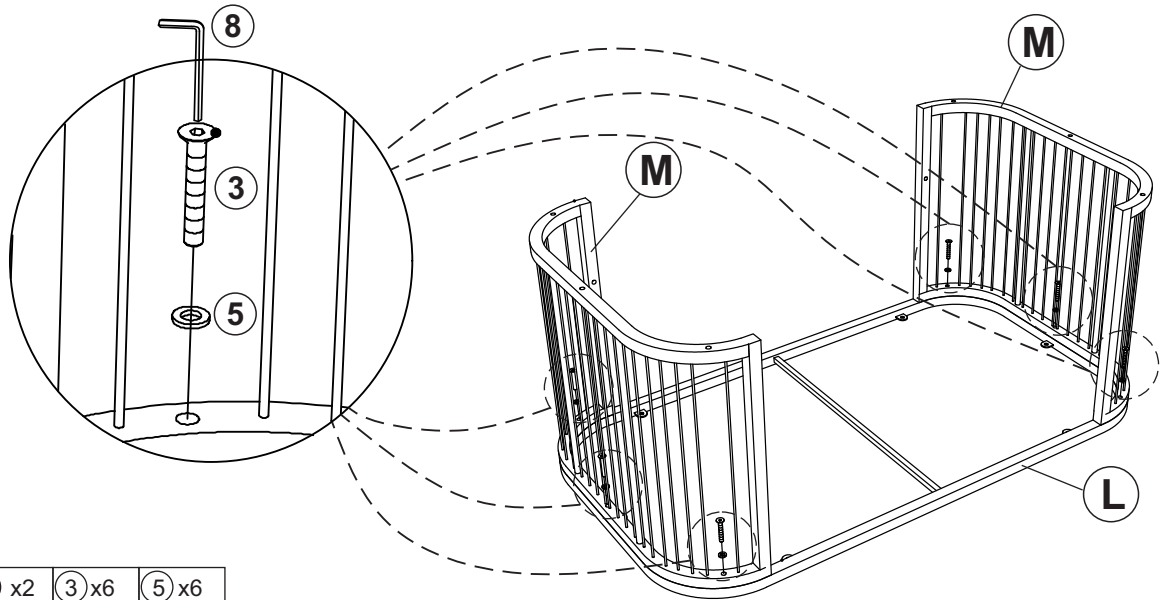
Hardwares

Step 1



Unpack and place all parts on a clean, non-marring surface.

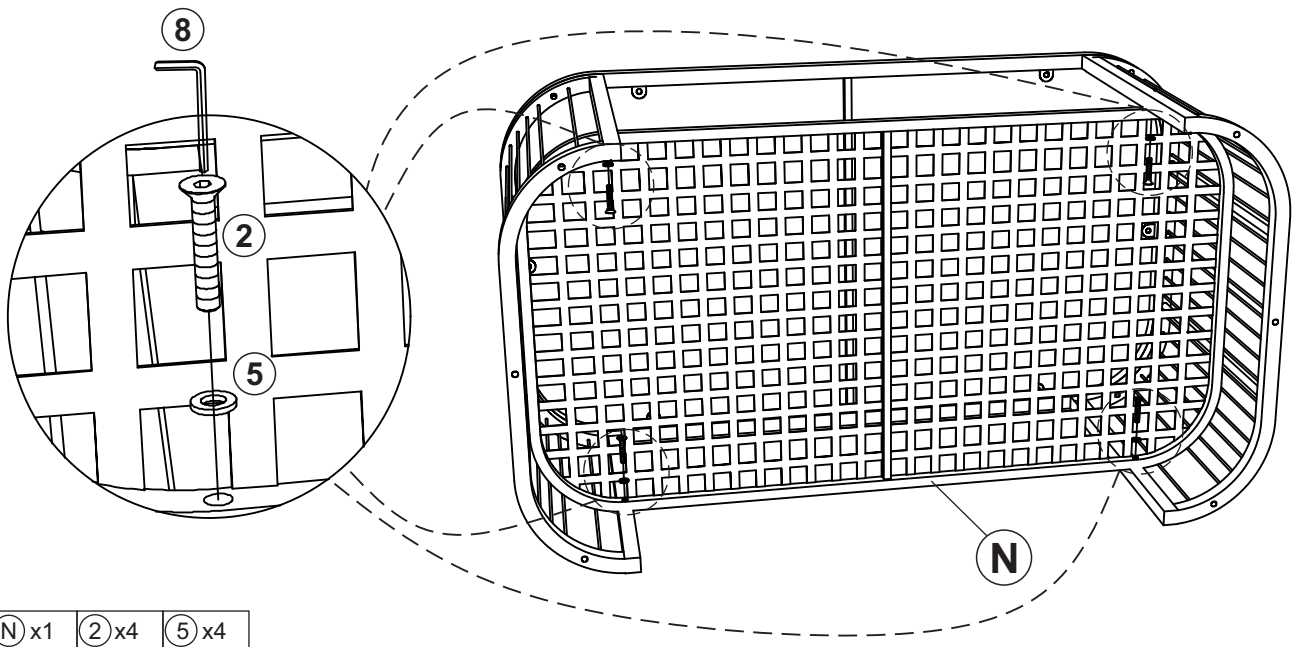
Step 2



(L) x1 (M) x2 (3) x6 (5) x6

Table: Connect The table top (L) & Leg table (M) With Bolt (3), Washer (5) and Allen Wrench (8)
Do not fully tighten the Bolts.

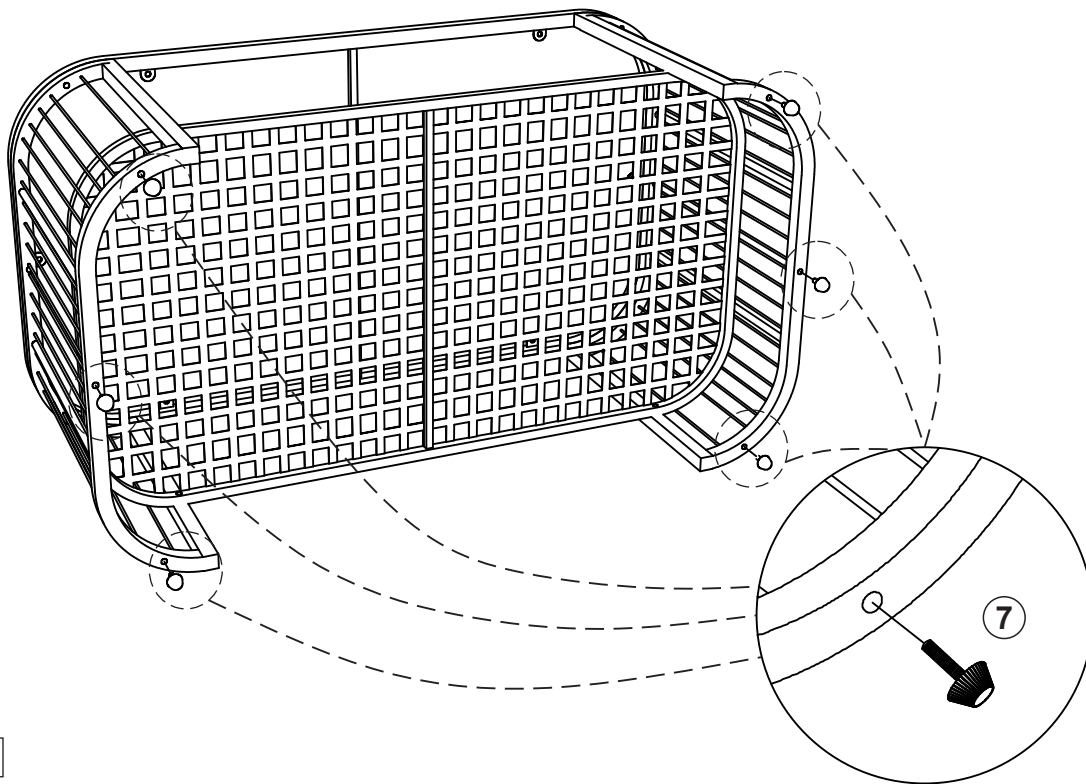
Step 3



(N) x1 (2) x4 (5) x4

Connect The Shelf table (N) With Bolt (2), Washer (5) and Allen Wrench (8)
Do not fully tighten the Bolts.

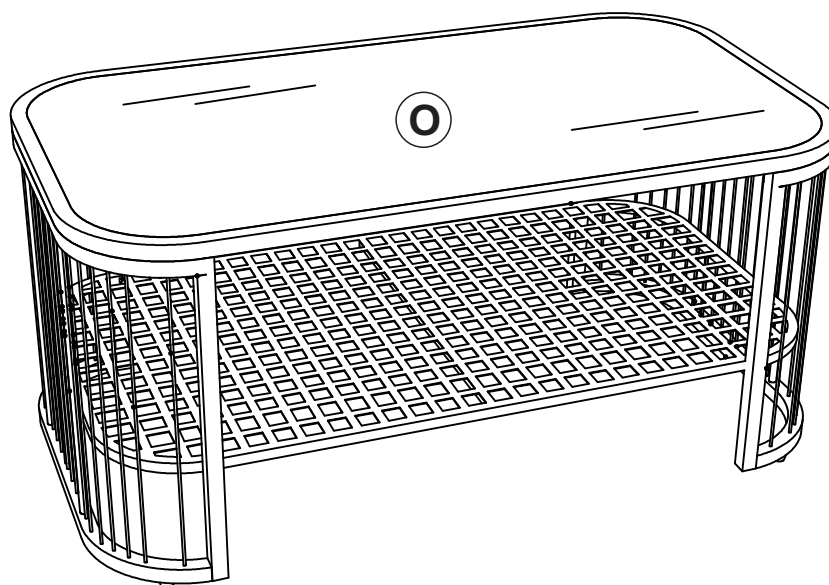
Step 4



⑦ x6

Connect the Adjustable Feet (7)
TIGHTEN ALL BOLTS 100%

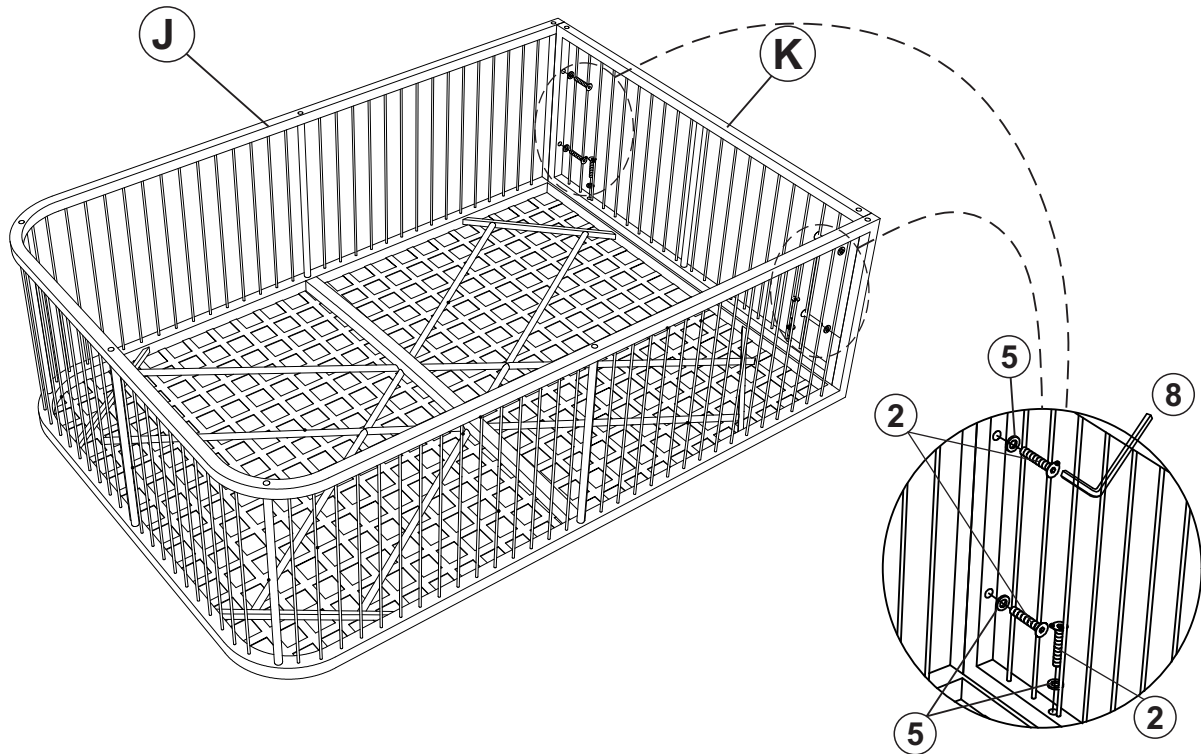
Step 5



⊙ x1

Place the glass (O) on the table top.

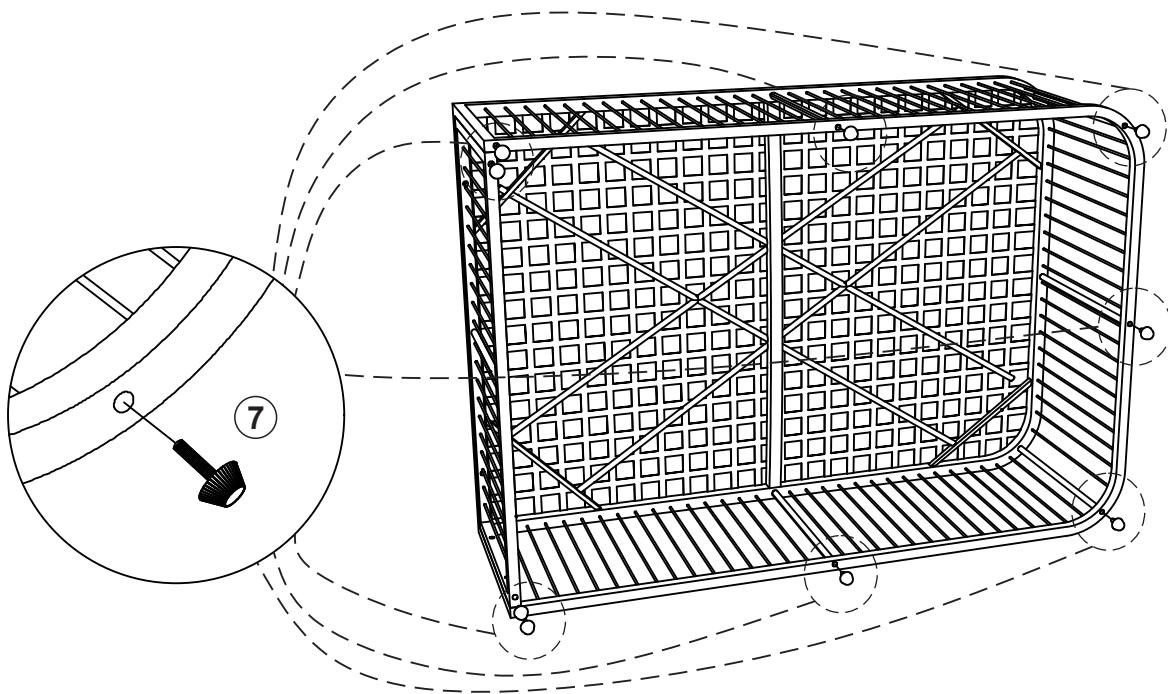
Step 6



J x1 K x1 2 x6 5 x6

Ottoman: Connect The Seat (J) & (K) With Bolt (2), Washer (5) and Allen Wrench (8)
Do not fully tighten the Bolts.

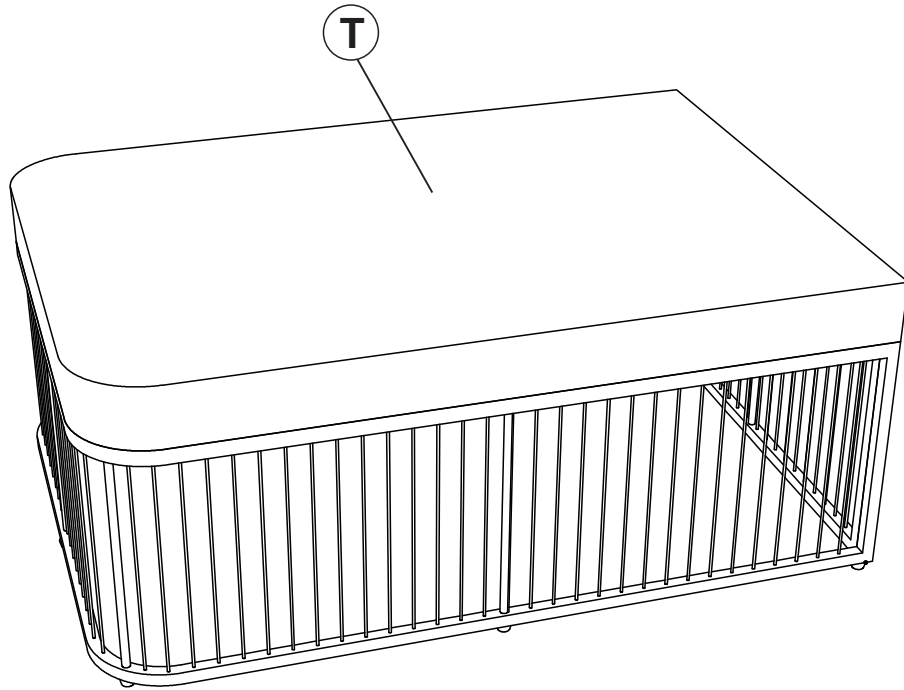
Step 7



7 x9

Connect the Adjustable Feet (7)
TIGHTEN ALL BOLTS 100%

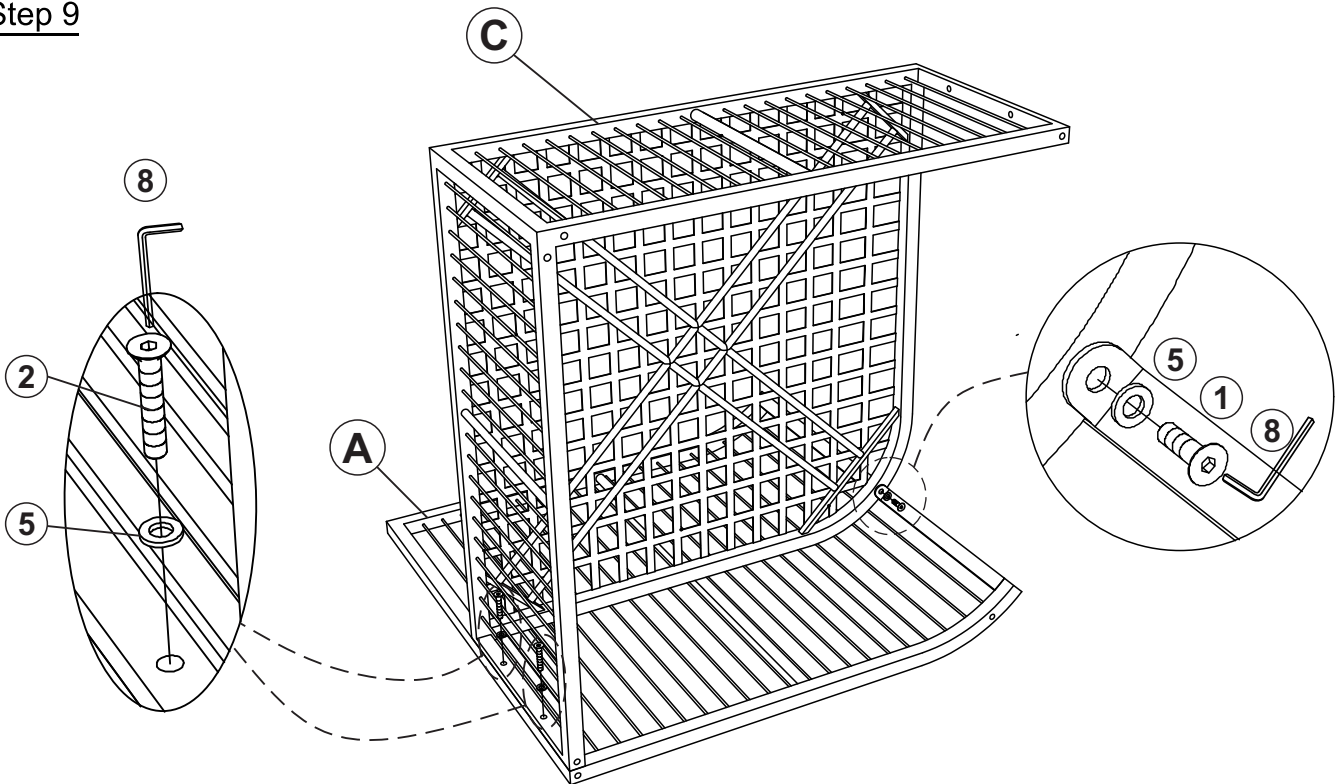
Step 8



(T) x1

Place the cushion (T) on the Ottoman.

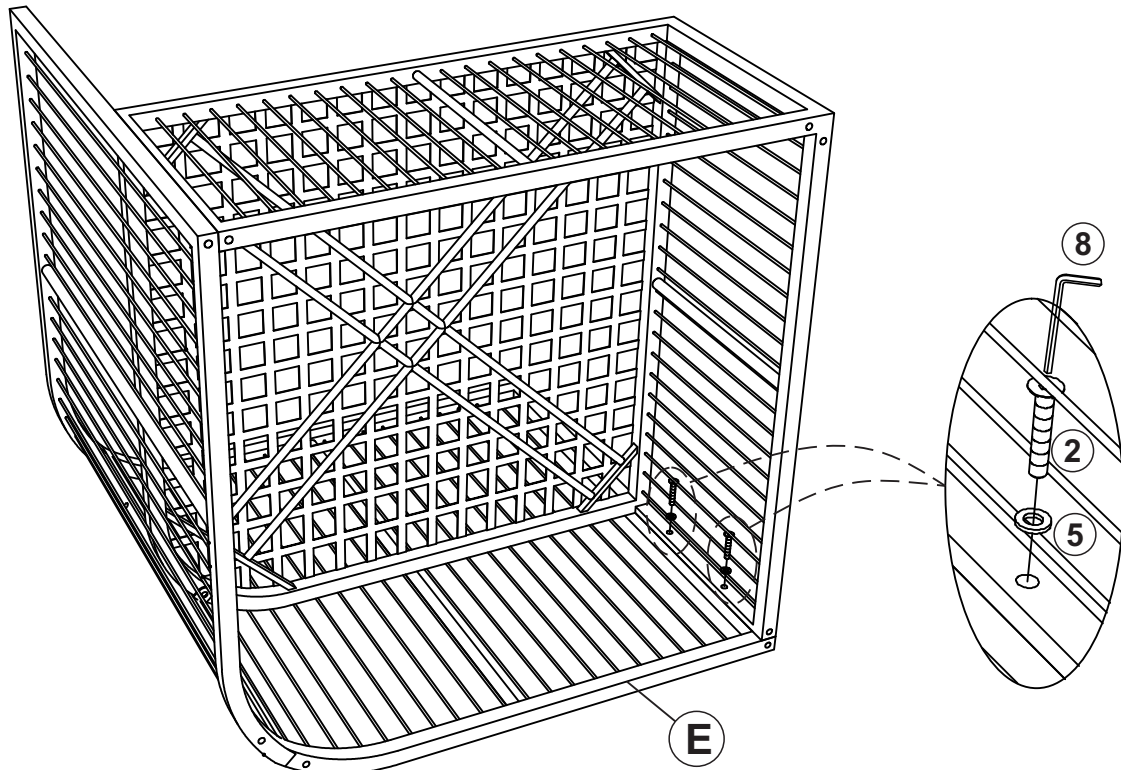
Step 9



(A) x1 (C) x1 (1) x1 (2) x2 (5) x3

Right corner: Connect The Seat (C) & Right arm (A) With Bolt (1),(2) Washer (5) and Allen Wrench (8). **Do not fully tighten the Bolts.**

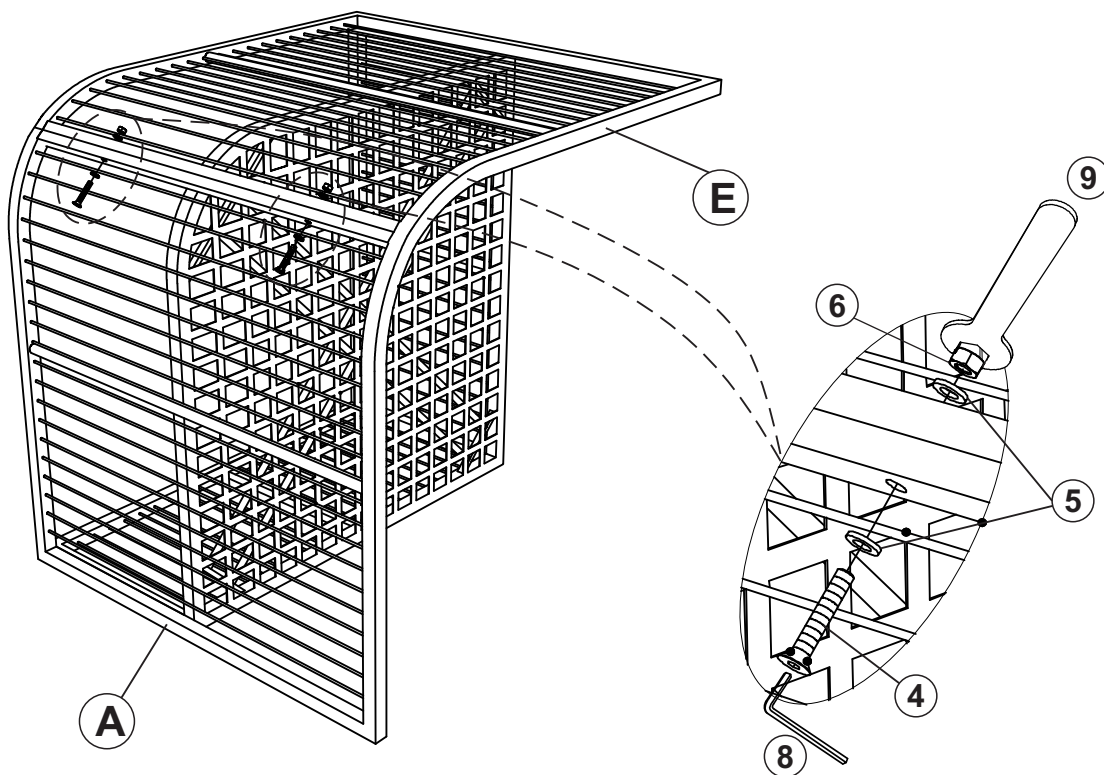
Step 10



(E) x1 (2) x2 (5) x2

Connect The right corner backrest (E) With Bolt (2),Washer (5) and Allen Wrench (8)
Do not fully tighten the Bolts.

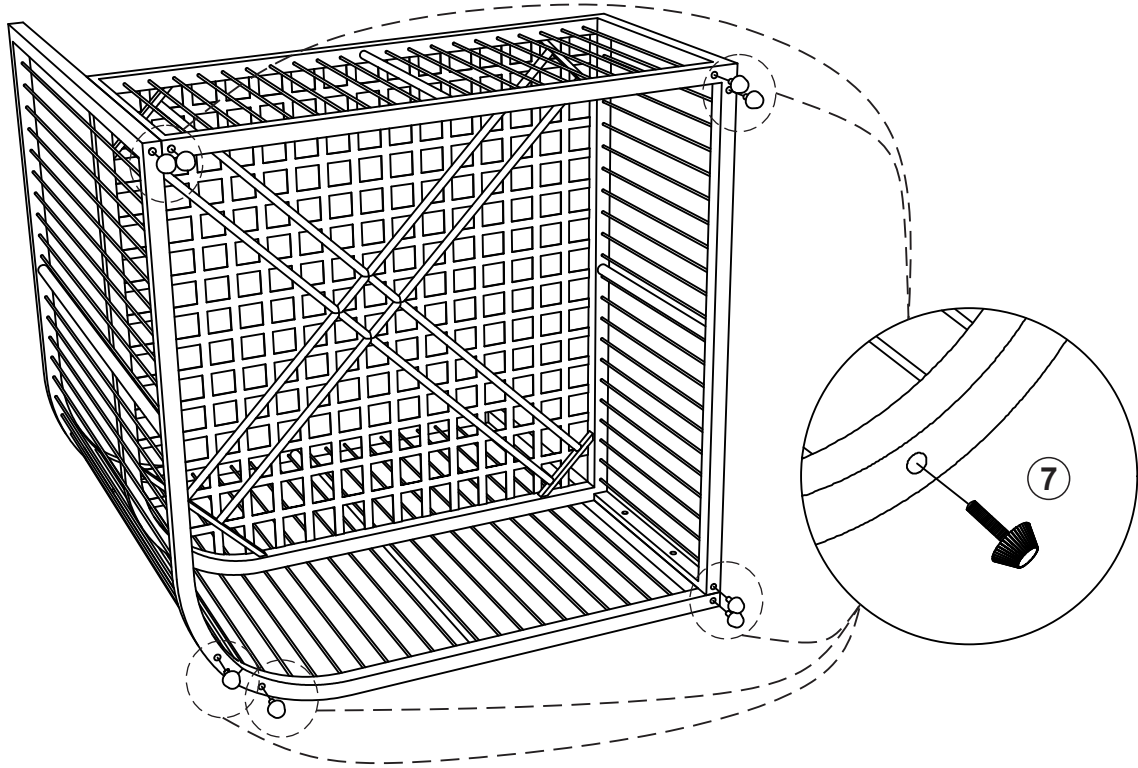
Step 11



(4) x2 (5) x4 (6) x2

Connect The Right corner backrest (E) & right arm (A) With Bolt (4),Washer (5), Nut (6) and Allen Wrench (8),(9)
Do not fully tighten the Bolts.

Step 12

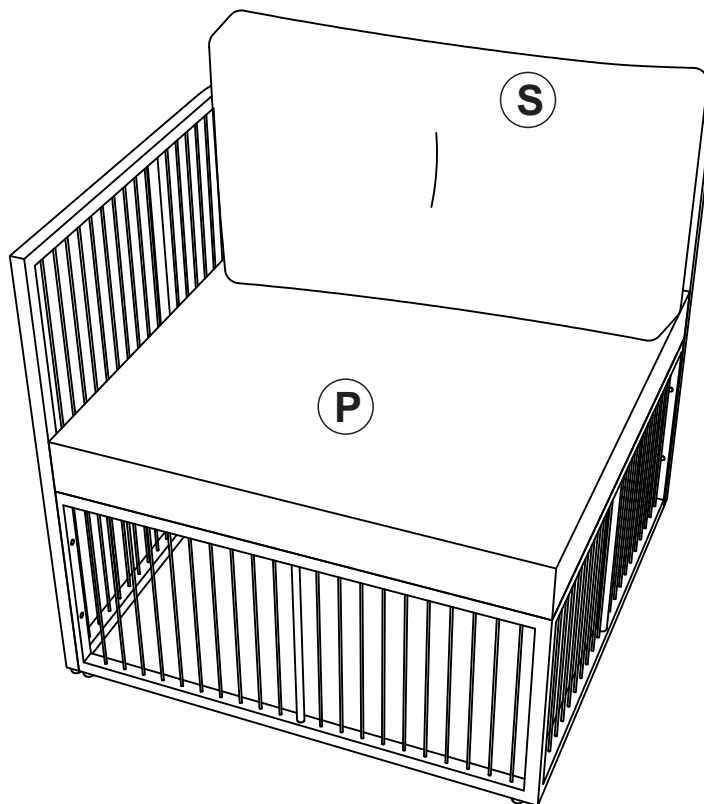


⑦ x8

Connect the Adjustable Feet (7)

TIGHTEN ALL BOLTS 100%

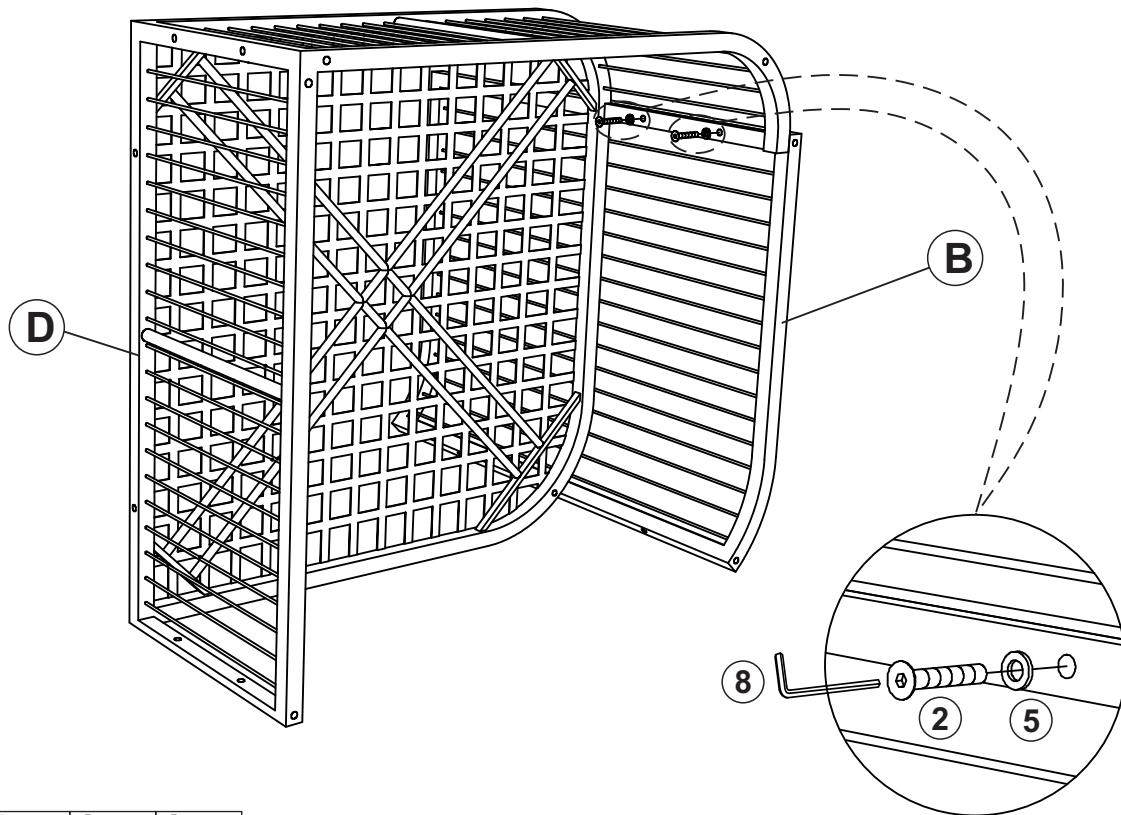
Step 13



Ⓟ x1 Ⓢ x1

Place the cushion (P) and the pillow (S) on the right corner.

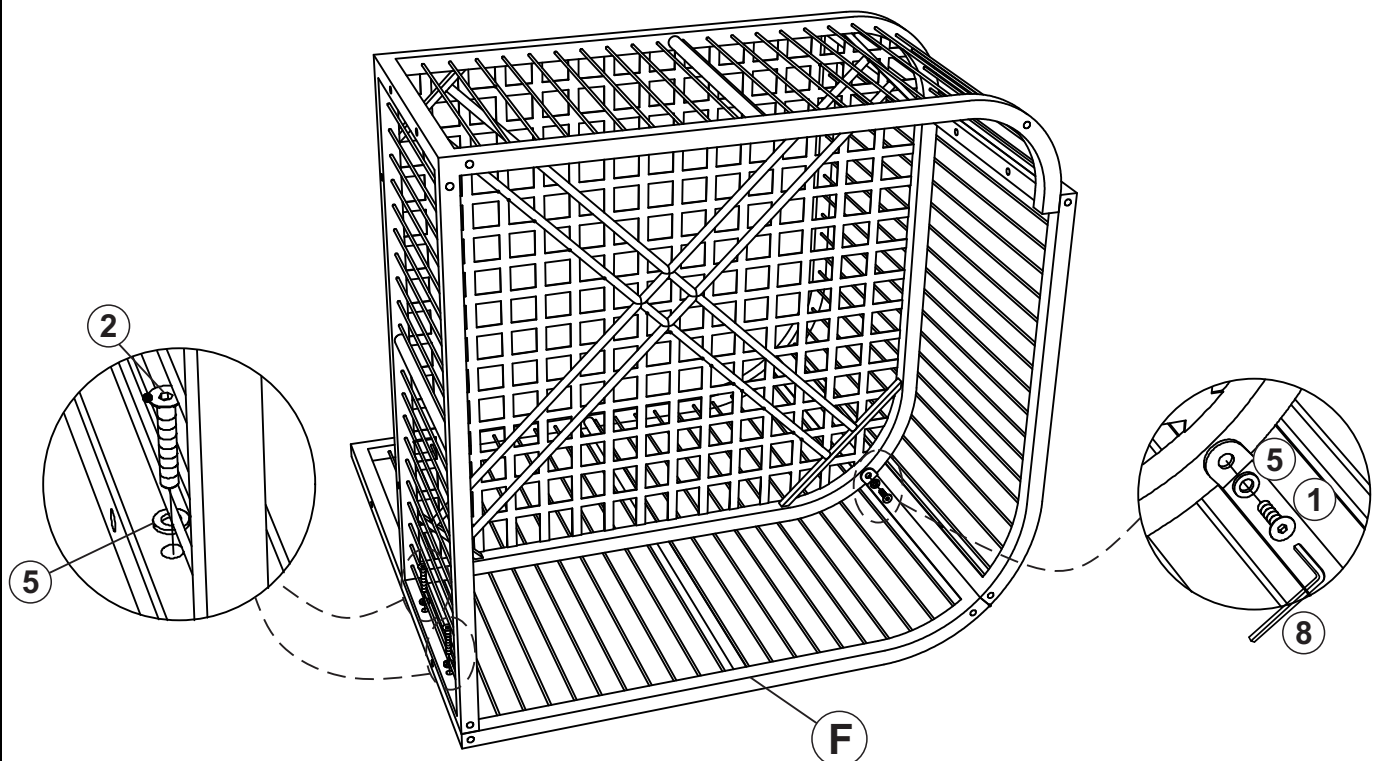
Step 14



(B) x1 (D) x1 (2) x2 (5) x2

Left Bench: Connect The Seat (D) & Left arm (A) With Bolt (2), Washer (5) Allen Wrench (8)
Do not fully tighten the Bolts.

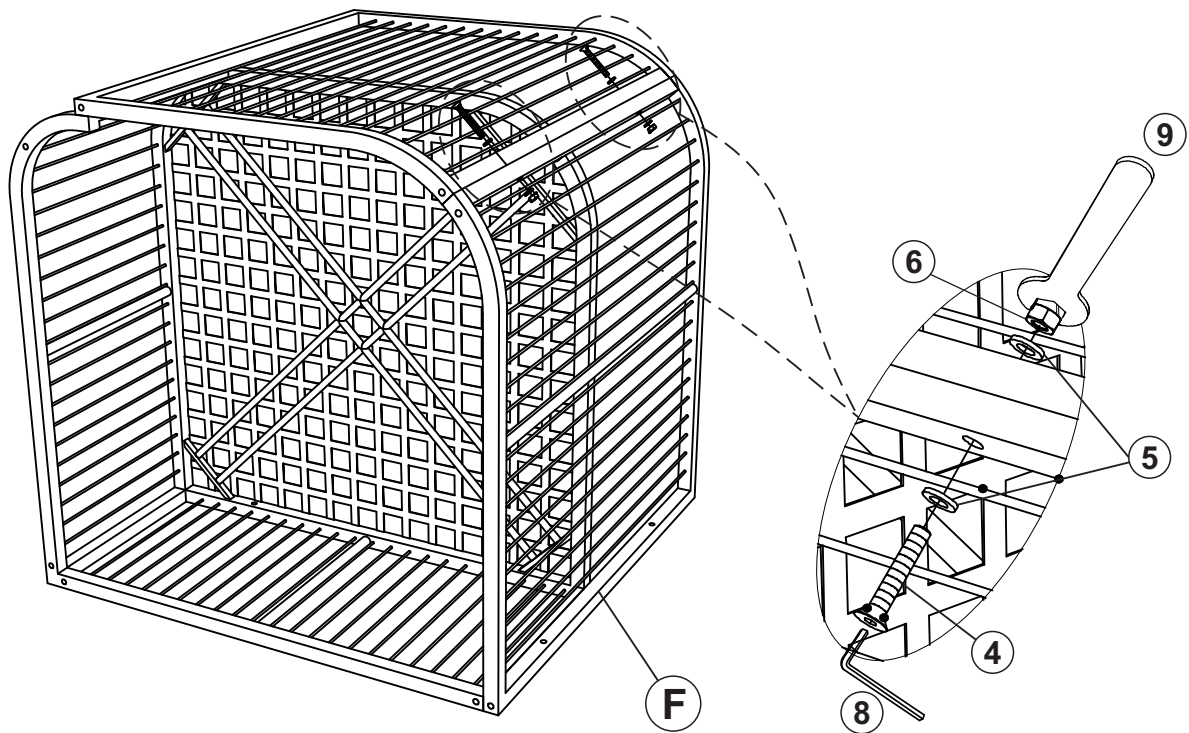
Step 15



(F) x1 (1) x1 (2) x2 (5) x3

Connect The Left corner backrest (F) With Bolt (1),(2),Washer (5) and Allen Wrench (8)
Do not fully tighten the Bolts.

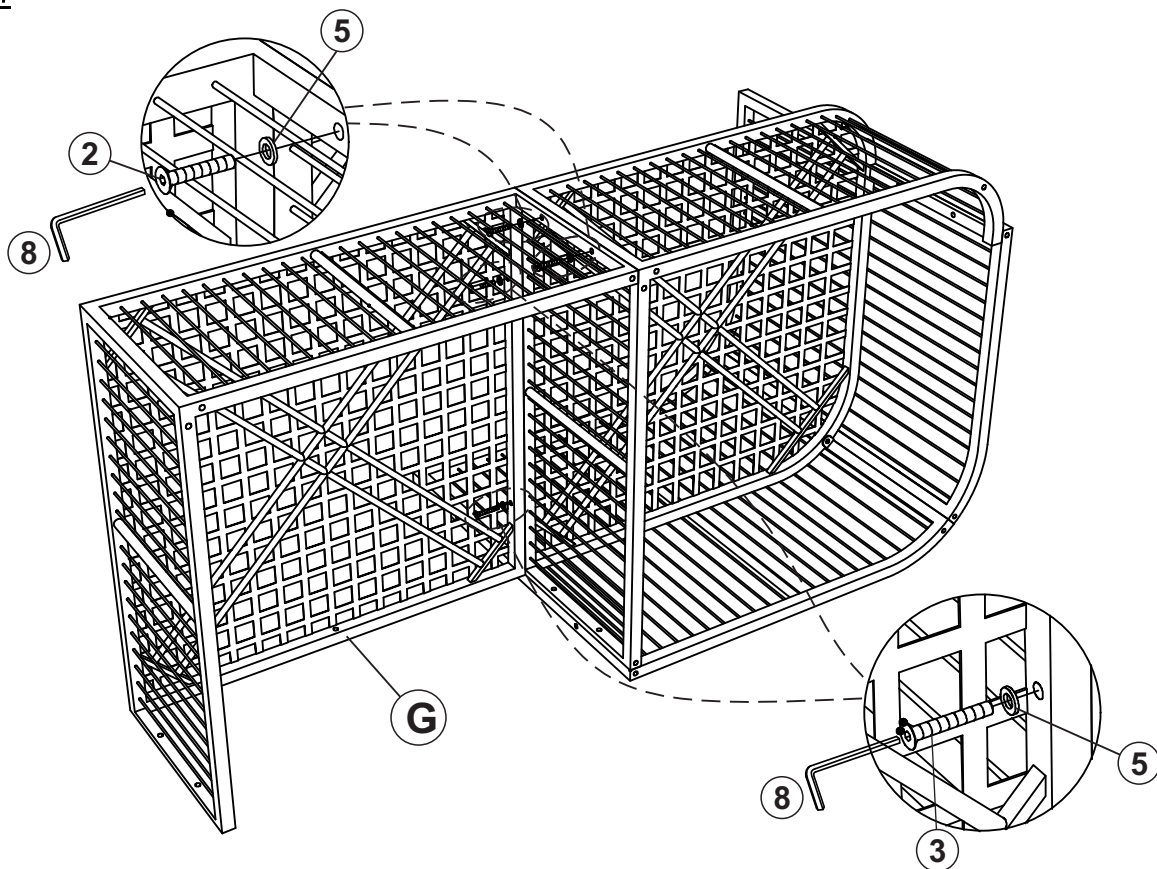
Step 16



④ x2 ⑤ x4 ⑥ x2

Connect The Left corner backrest (F) & Left arm (B) With Bolt (4), Washer (5), Nut (6) and Allen Wrench (8),(9)
Do not fully tighten the Bolts.

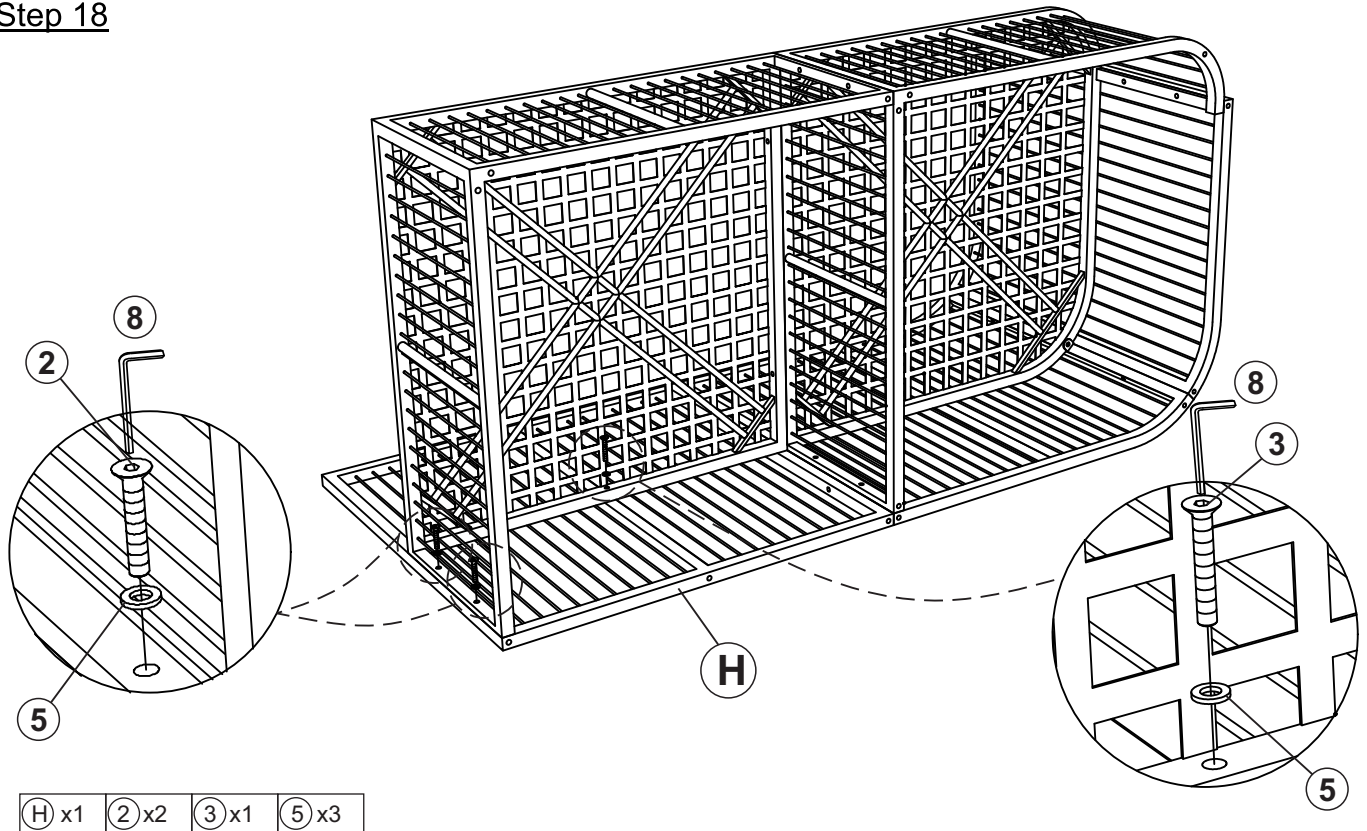
Step 17



⑦ x1 ② x2 ③ x2 ⑤ x4

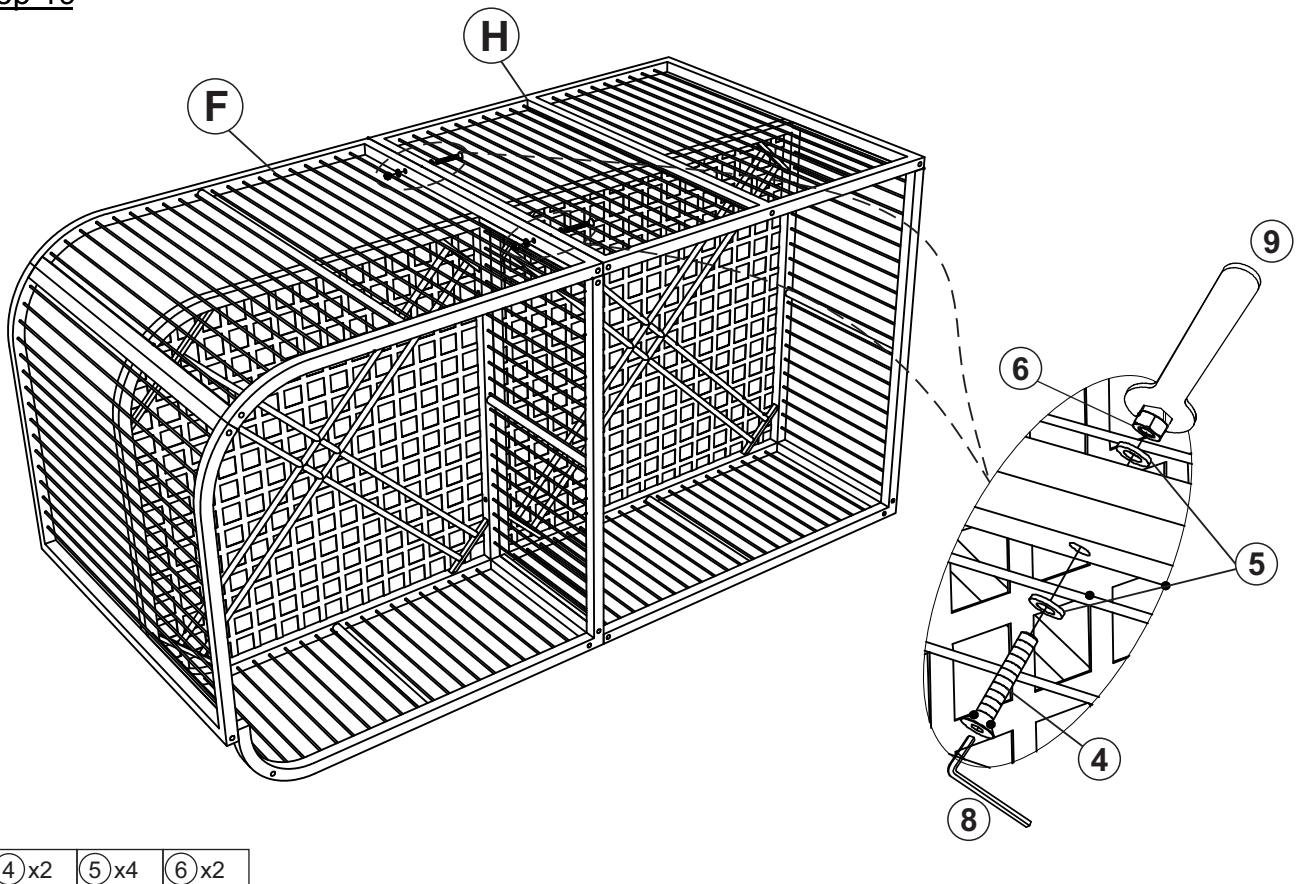
Connect The Seat (G) With Bolt (2),(3), Washer (5) and Allen Wrench (8)

Step 18



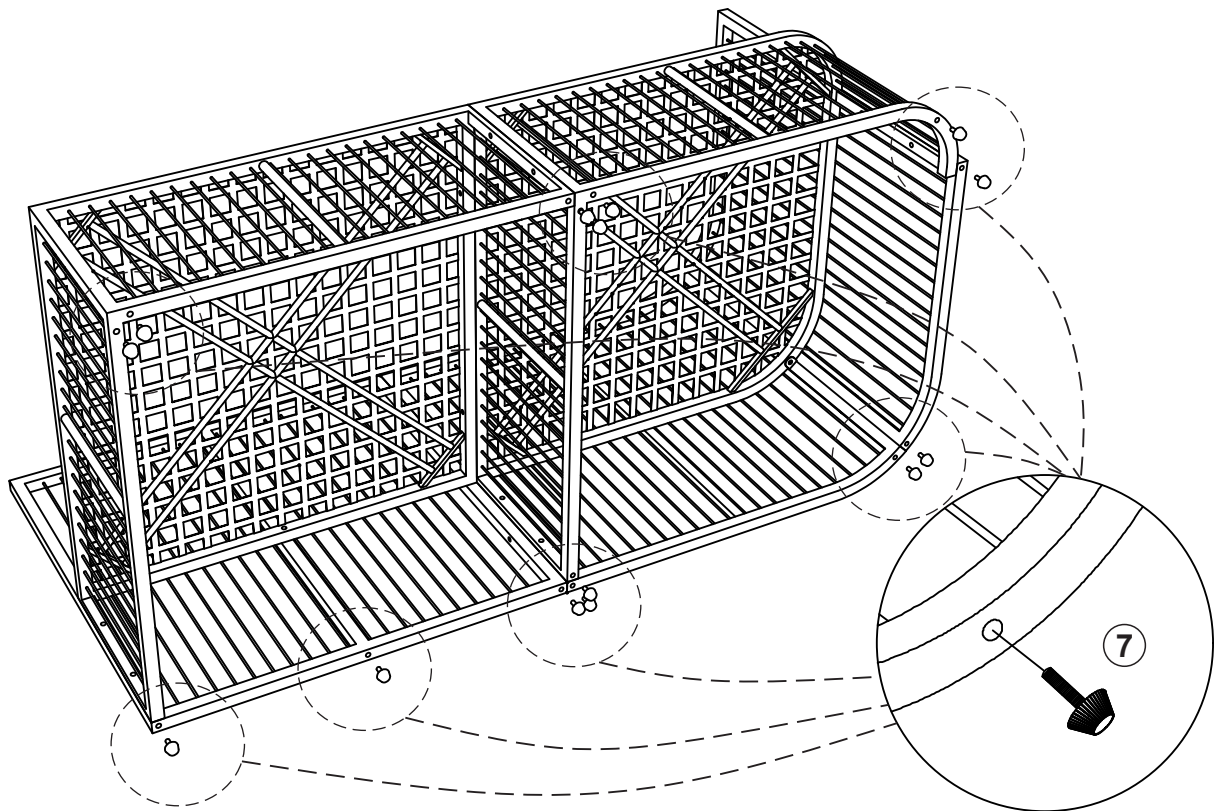
Connect The backrest (H) With Bolt (3),(4),Washer (5) and Allen Wrench (8)
Do not fully tighten the Bolts.

Step 19



Connect The Left corner backrest (F) & (H) With Bolt (4),Washer (5), Nut (6) and Allen Wrench (8),(9)
Do not fully tighten the Bolts.

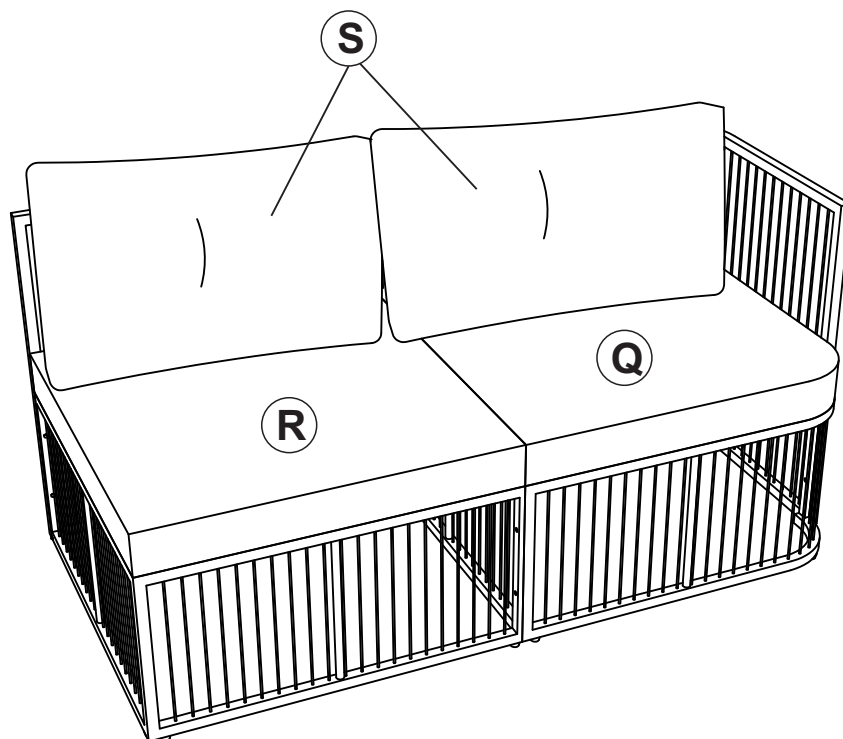
Step 20



⑦ x14

Connect the Adjustable Feet (7)
TIGHTEN ALL BOLTS 100%

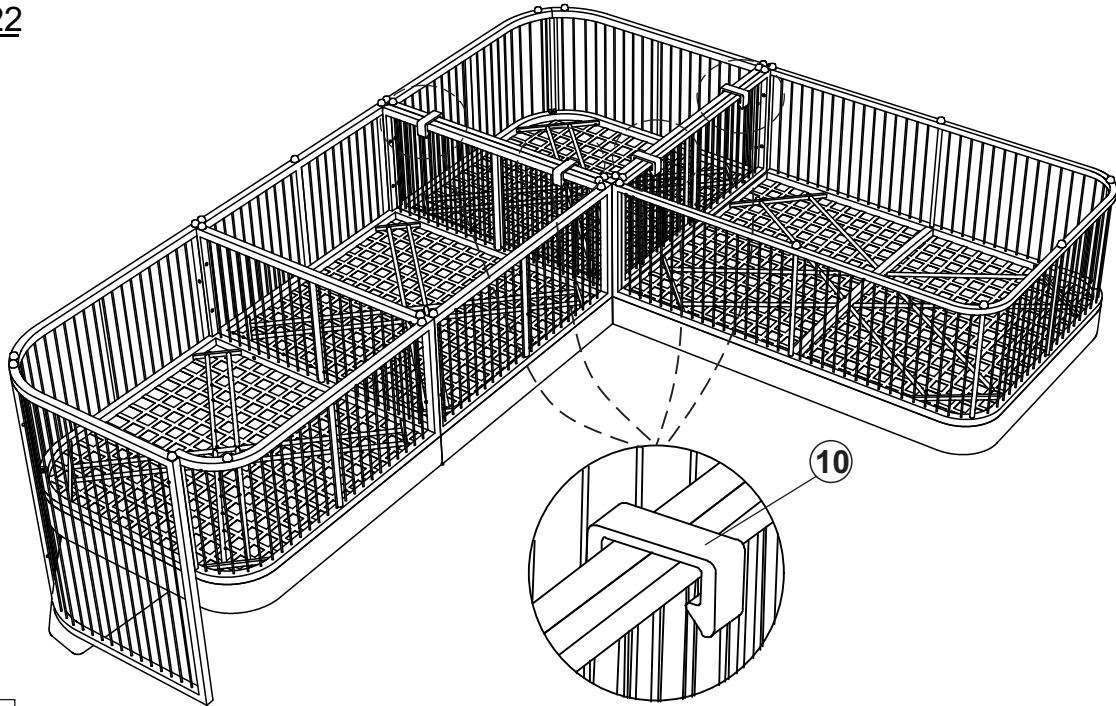
Step 21



Ⓚ x1 Ⓜ x1 Ⓢ x2

Place the cushion (Q),(R) and the pillow (S) on the right corner.

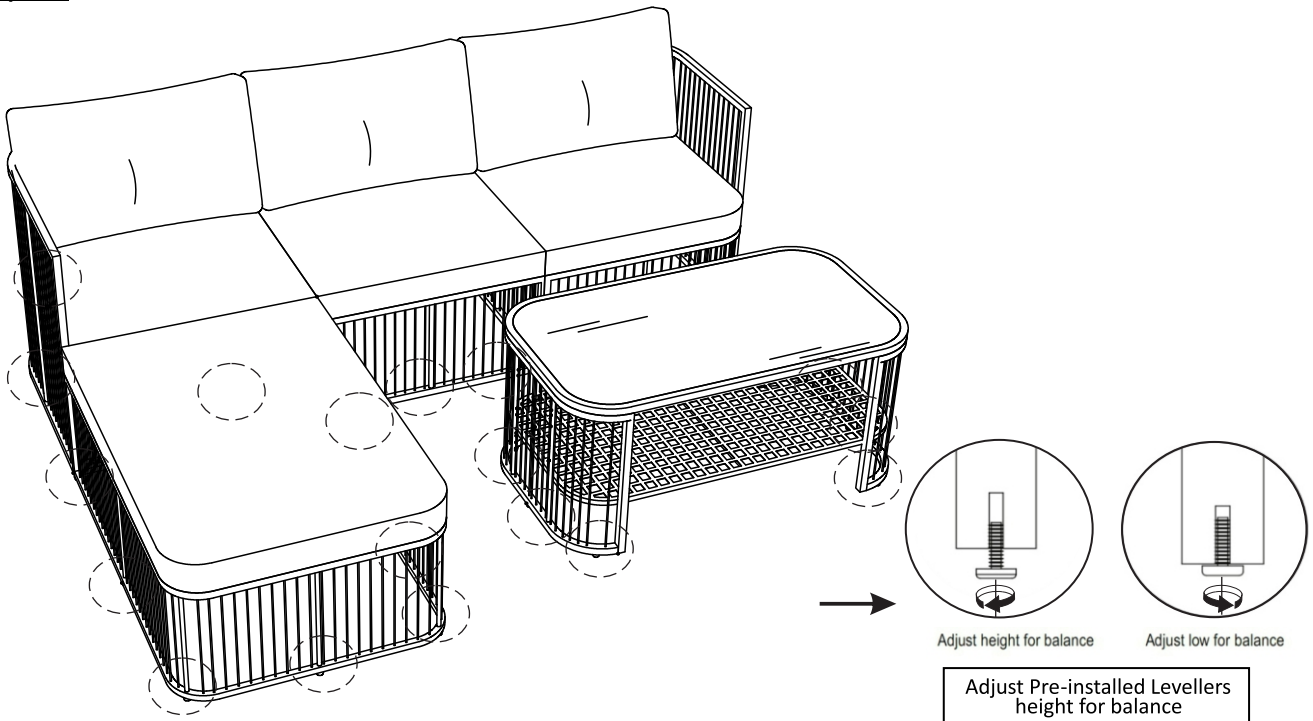
Step 22



⑩ x4

Use plastic connector (10) to connect right corner chair and ottoman.

Step 23



Inspect the Sofa and make sure all parts are adequately connected.

Then EXERT pressure, floorwards onto the Sofa with both hand

This pressure will help align all parts at all joints.

In a sequential manner, tighten all Bolts at all joints.

Adjust the Levellers until the Sofa is level with the ground.

To adjust the Levellers, get assistance from an adult partner to lift/lean and hold the Sofa while you are working.

CAUTION : When tightening these screws and bolts, tighten sequentially.

DO NOT tighten any screw or bolt fully and then move towards the next one. This could cause the frame to warp.

WARNING!! IF THE SOFA IS NOT STABLE , IT COULD LEAD TO DAMAGING THE PRODUCT.

Step 24

