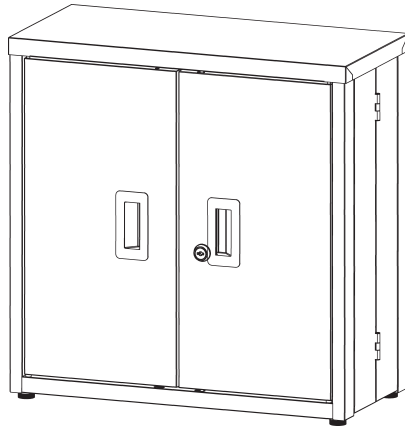


Double Door Metal Cabinet

Instruction Manual



WARNING!

1. Do not allow children to climb on the unit.
2. Keep children and pets away during assembly.
3. To avoid the danger of suffocation, always keep plastic bags away from children and pets.

ASSEMBLY PRECAUTIONS




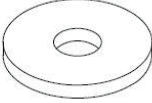
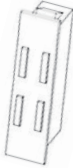
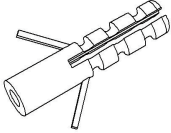
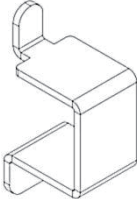
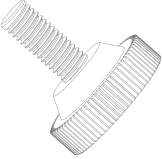
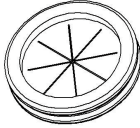
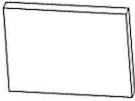
1. Please assemble the product in strict accordance with the instructions. Incorrect assembly could be hazardous.
2. Please wear safety goggles and work gloves properly during assembly.
3. Do not try to assemble the product when feeling tired or when under the influence of alcohol, drugs or medication.
4. Load bearing capacity and other product parameters are applied to the properly and completely assembled product only.
5. Separate and count all parts and hardware.
6. Prepare the following tool: Philips Head Screwdriver.
7. If using power tools, please be careful to slow down and stop when needed.
8. Two people are required for assembly.
9. Follow the intended uses only. Do not sit or stand on the above.

INSTRUCTIONS

Thank you very much for choosing this metal cabinet. Please read all of the instructions before using it. The information will help you achieve the best possible results.

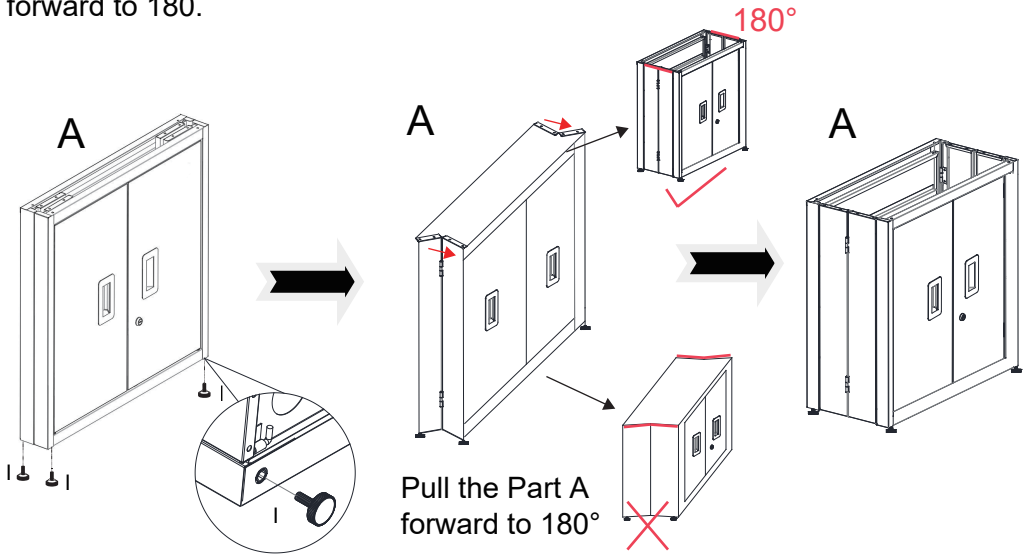
PART LIST

- Carefully remove all the parts from the carton and place them individually on a soft cloth to prevent scratches or other damage.
- Carefully and strictly follow these assembly&installation instructions to ensure a completed product as designed.
- Do not tighten all the screws until each part is properly assembled.

NO.	Name	Parts	Qty	NO.	Name	Parts	Qty
A	Metal cabinet		1	F	Screw St6.3*35		4
B	Top shelf		1	G	Washer		4
C	Magnet		4	H	Rubber plug		4
D	Shelf support		2	I	Adjustable feet		4
E	Overcoil		1	J	EVA		4

Installation

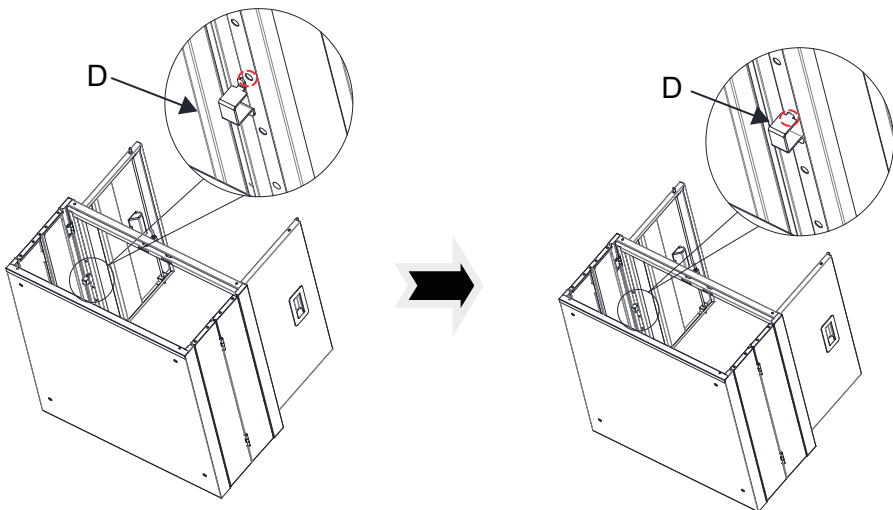
1. Install adjustable feet(Part I) into Part A, and pull the Part A forward to 180°.



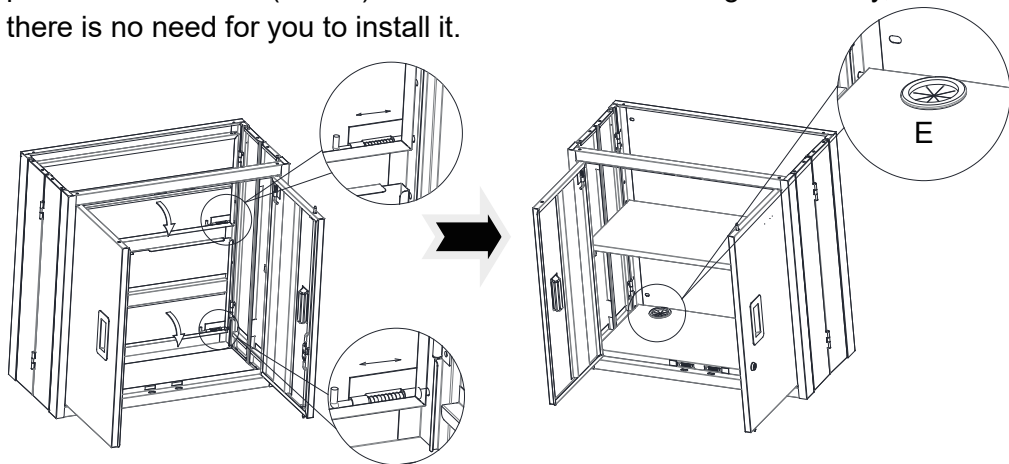
2. Install the shelf support(Part D). Please note that there are 4 adjustable installation slots upon opening for adjusting the height of the middle shelf.

Cautions:

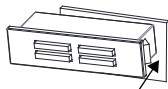
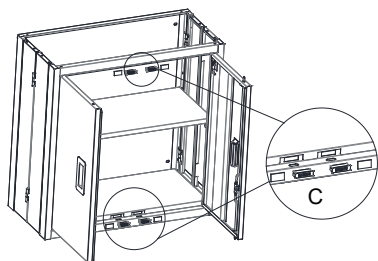
If you want to enable the folding function after installation, Part D only be folded when installed in the second hole from the top.



3. Open the middle shelf and bottom shelf as shown in the following picture. The overcoil(Part E) was installed before leaving the factory, and there is no need for you to install it.

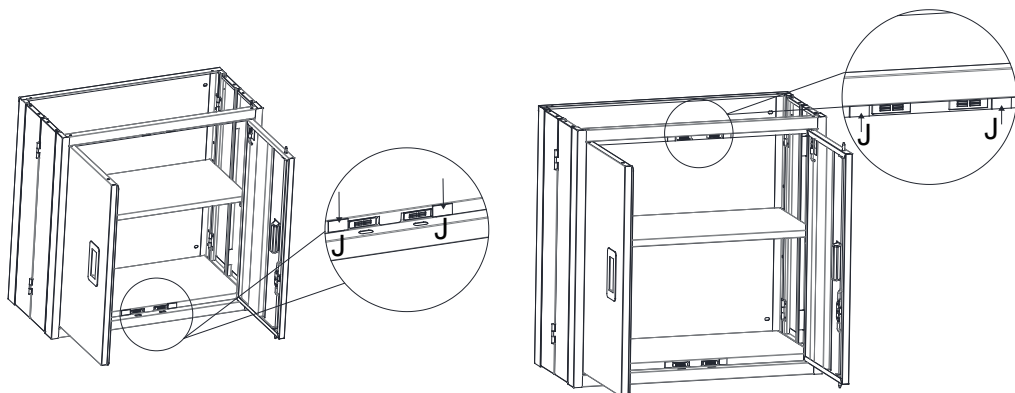


4. Install the magnet (part C)

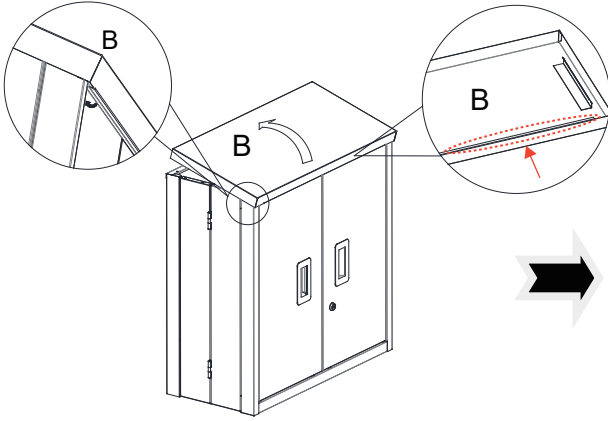


Cautions:When installing part C, first insert one end into the slot, then insert the other end.

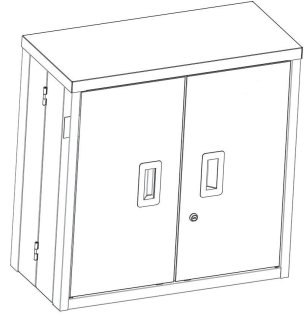
5. Install EVA(part J) stickers next to the magnet. The EVA of the upper and lower ends of the door as shown in the figure.



6. Install the top shelf(part B). Please note that the top shelf should be hooked onto the side of the cabinet door first before being covered.

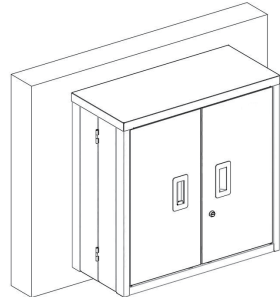
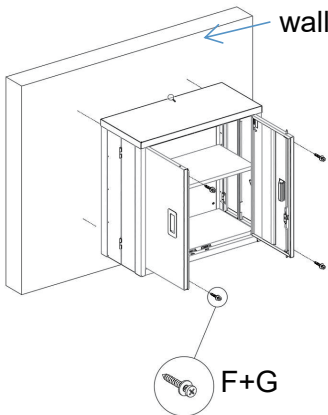


Cautions: During installation Part B, the side with the groove should face the door direction.



Tips: If this product requires wall mounting, please refer to Step 7 for installation instructions.

7. Install the metal cabinet onto the wall. Please note that the holes should be drilled accurately. The rubber plug (part G) should be securely inserted into the wall to ensure stability, and the screws must be tightened with a washer. They need to be fully tightened. Before installation, please make sure that the wall surface is flat.



8. Please ensure that the weight is evenly distributed and do not exceed the weight limit when in use.

AFTER-SALES SERVICE CARD

We sincerely thank you for trusting our service and our products, and may this product add enrichment to your home. We guarantee that the product has undergone strict quality inspection and meticulous packaging. If you encounter any issue regarding either shipping or the product, please feel free to contact us at any time. We'd be more than happy to serve you wholeheartedly.

Yours Sincerely

- Please avoid harsh, corrosive and abrasive cleaners.
- Keep dry and avoid damp environments.

**If you have any questions or concerns please feel free to contact us.
We're committed to providing our customers with the quality service.**