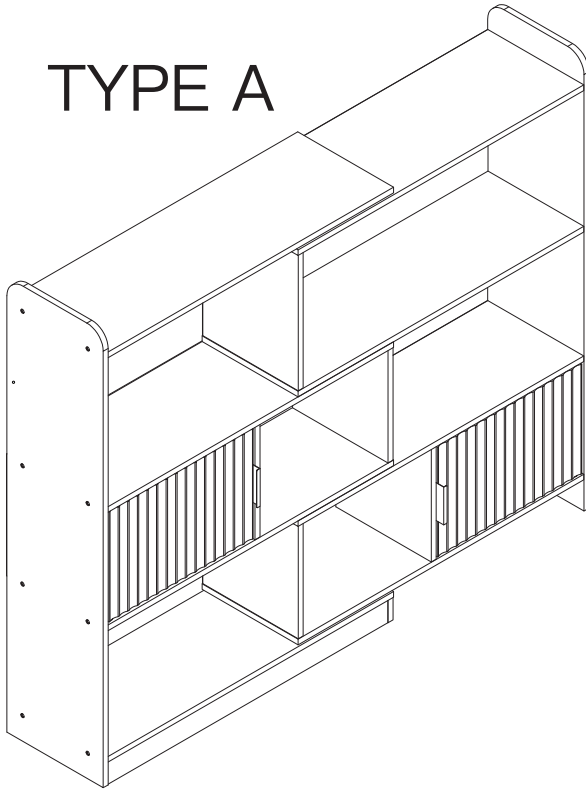
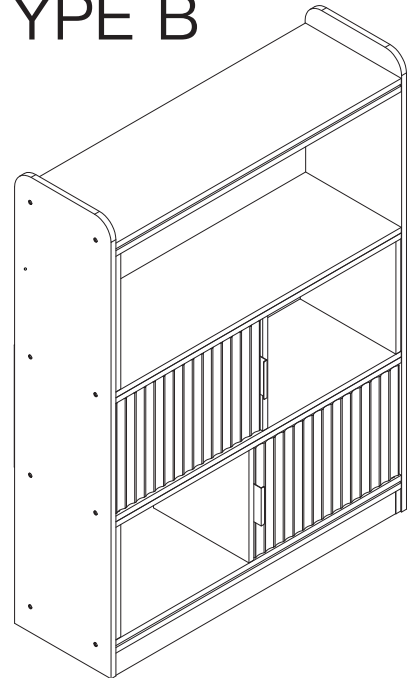


ASSEMBLY INSTRUCTION

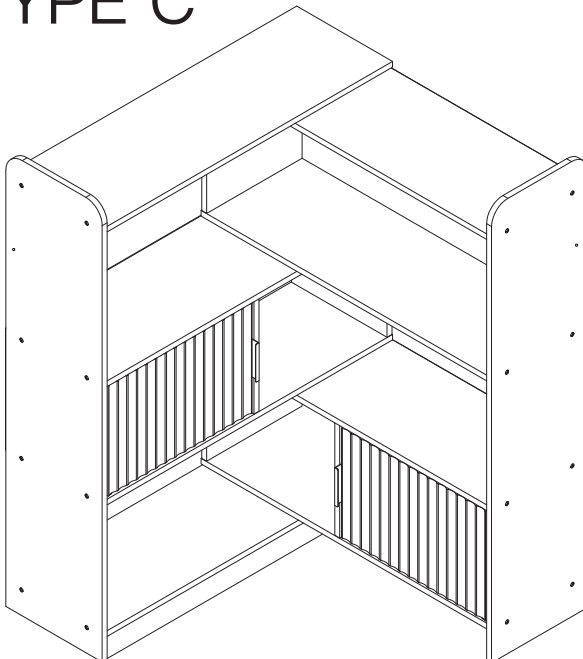
TYPE A



TYPE B



TYPE C



Disclaimer

To Valued Customers:

Thank you for purchasing furniture products from our store. To ensure your safety and the best user experience, please read and understand all the contents of this notice carefully before installation and use. Once you start installing or using this product, it is deemed that you have accepted all the following terms.

I. Regarding Installation

●**Professional Installation Recommendation:** For large, modular, or wall-mounted furniture, we strongly recommend that you hire qualified professionals for installation. Self-installation may involve risks.

●**Self-Installation Liability:** If you choose to install the product yourself, it means that you confirm you have the corresponding installation capability and voluntarily assume all risks and responsibilities arising from improper installation, including personal injury and property damage. Improper installation includes, but is not limited to, damage to product components due to ignoring installation instructions during the installation process, loose, missing, or wrong installation of connectors, and obvious instability such as tilting and shaking due to improper placement after installation.

●**Follow Official Instructions:** Installation must strictly follow the steps in the Installation Manual and diagrams provided with the product. Do not rely on any installation guidance from unofficial channels. Our company shall not be responsible for any problems caused by failure to follow official instructions.

●**Safe Installation Environment:** Please carry out the installation in a spacious, bright, and well-ventilated environment and use appropriate tools. During installation, please keep children and pets away from the work area to prevent accidental ingestion of small parts or accidental injuries.

II. Regarding Usage

●**Weight Capacity Limit:** Please strictly comply with the maximum weight capacity limit indicated on the product. Overloading may cause structural damage, deformation, or overturning of the furniture, leading to serious accidents. Our company shall not be responsible for any consequences arising therefrom.

●**Wall Mounting (Mandatory Requirement):** To prevent furniture overturning accidents, especially when there are children at home, you must use the anti-tip devices provided in the product package to permanently connect and fix the furniture to a solid wall. If the fixing devices are damaged or substandard, please contact us immediately through the purchasing platform to obtain replacement parts.

●**Special Warning:** The fixing method must fully comply with the requirements in the manual. Failure to fix as required may cause the furniture to overturn, resulting in serious injury or death. Our company shall not be responsible for any furniture overturning and all consequences caused by failure to perform wall mounting or improper fixing.

●**Regular Inspection and Maintenance:** It is recommended that you regularly (especially in the early stage of installation and after moving) inspect and tighten all connectors (screws, bolts, etc.) to ensure the structural stability of the furniture (see the maintenance method in the manual for details). Problems caused by neglect of inspection and maintenance are not covered by the warranty.

●**Proper Use and Placement:**

Place the furniture on a flat and solid floor.

Do not use the furniture for purposes other than its designed use (for example, standing on drawers or shelves, using a chair as a ladder, etc.).

Do not place heavy objects such as televisions or items that attract children on the upper part of the furniture.

Avoid placing the furniture in humid, sun-exposed, or extreme temperature environments to avoid affecting the product's service life or structural stability.

III. Liability Limitation

Our company provides warranty services for product quality in compliance with platform policies and relevant regulations. However, our company shall not be legally responsible for any direct or indirect personal injury, property damage, and other incidental losses caused by the following reasons:

●Failure to comply with the requirements of this notice, the official Installation Manual , or product labels;

●Misuse, abuse, negligence, or unauthorized repair or modification without our company's authorization;

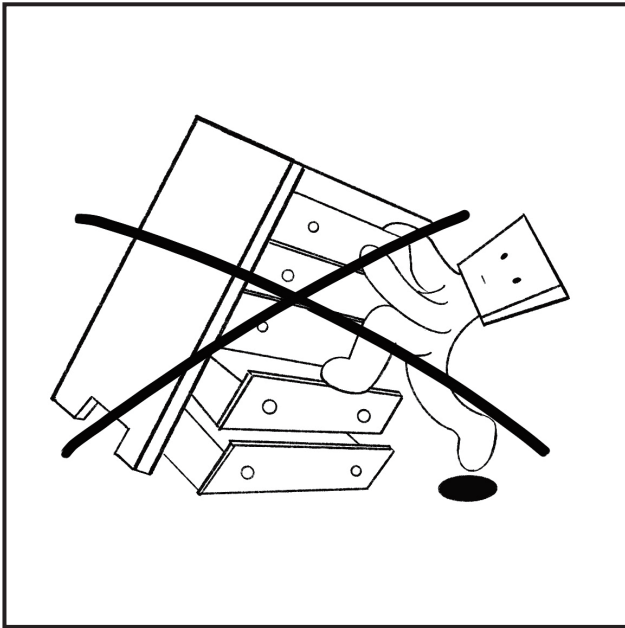
●Improper installation (whether carried out by the user or a third party not designated by our company);

●Force majeure events.

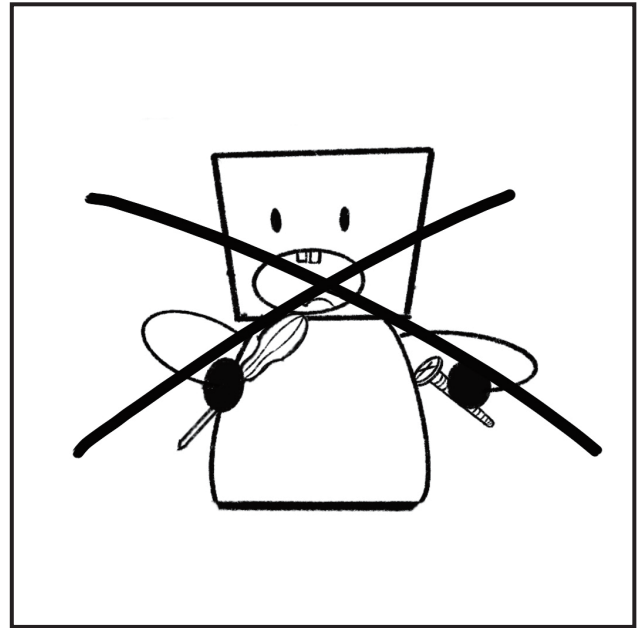
Safety first, prevention is better than cure. We wish you a pleasant use!



Children should use this product only with adult supervision.



DO NOT CLIMB OR HANG



DO NOT PLAY WITH OR SWALLOW SMALL PARTS

Installation of Anti-Tip Device Kit:

1. For the safety of you and your family, the **Anti-Tip Device Kit** must be installed.
2. For products with wheels, it is recommended that the **Anti-Tip Device Kit** be installed.

Weight Capacity:

–Do not place items exceeding the maximum weight capacity of the product. (For the product’s weight capacity, please refer to the product link.)

Usage Scenarios and Maintenance Methods

- Do not place the product in a humid environment.
- Avoid direct exposure to high temperatures and keep it away from heat sources.
- Clean and maintain the product regularly.
- Place it on a flat surface. When moving is required, ensure that at least two people lift it together.
- Check the condition of screws regularly. If any screws are loose or fall off, reinforce them promptly.

Wooden products

Preparation before Installation

–Please read the assembly instructions carefully before installation and keep this manual for future reference. Check that all components are complete, including panels, hardware fittings, screws, plastic parts and other small components.

Ensure that **only adults** perform the installation, and keep children away from the installation area.



Notes

- Avoid prolonged exposure of the furniture to direct sunlight or proximity to heating appliances to prevent local discoloration and fading.
- **Do not** allow easily combustible or oxidizable items to come into direct contact with the furniture surface, as this may cause chemical reactions and damage the furniture finish.
- Climbing or playing on the product is prohibited to avoid accidental injury. **Do not** use the product as a support or stand on it for high-altitude operations.
- **Do not** forcefully open or close the furniture doors and drawers. Use appropriate force during operation to prevent loose connections.
- When moving the furniture, remove all items inside the cabinet and secure movable parts such as doors and drawers to prevent the furniture from tilting or parts from falling and causing injury. Never drag or push hard during movement to avoid loose fasteners or broken parts. The product must be lifted off the ground by multiple people simultaneously; ensure safety during handling.
- When children use this product, adult supervision is required to ensure safe use.
- Strictly use anti-tip components as specified in the instruction manual.

- **Do not** slide hard objects directly on the furniture to avoid scratching the surface; prevent hard objects from colliding with the furniture to protect its surface from hard scratches.
- Avoid prolonged contact of panel edges with water or liquids, as this may cause panels to absorb moisture and swell.
- Avoid prolonged exposure to high temperatures, as it may cause surface bulging on vacuum–formed/laminated components.
- **Do not** use any acidic or corrosive cleaners for surface cleaning.
- Secondary drilling is not recommended, as it may damage the internal structural strength.



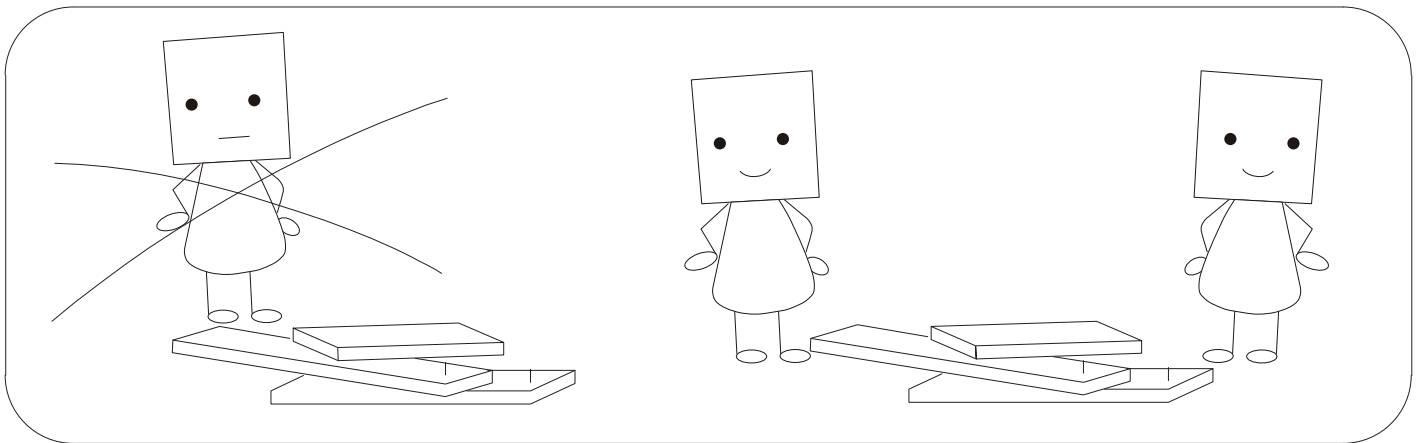
Maintenance Methods

- (1) Regularly remove dust from the furniture surface with a soft cloth or wool brush to prevent dust from scratching the paint finish.
- (2) If there are water stains on the product, wipe them dry with a dry cloth immediately. Do not allow moisture to remain on the furniture surface to avoid long–term dampness.
- (3) If the environment where the product is placed is humid, it is recommended to place dehumidifying products inside the cabinet.
- (4) Place high–temperature or frozen items on the product only after placing a heat–resistant mat underneath. For heavy or hard items, use a soft decorative tablecloth or felt pad on the surface to provide protection.
- (5) Lubricate connectors: Regularly lubricate moving parts (such as hinges and slide rails) to maintain flexibility.

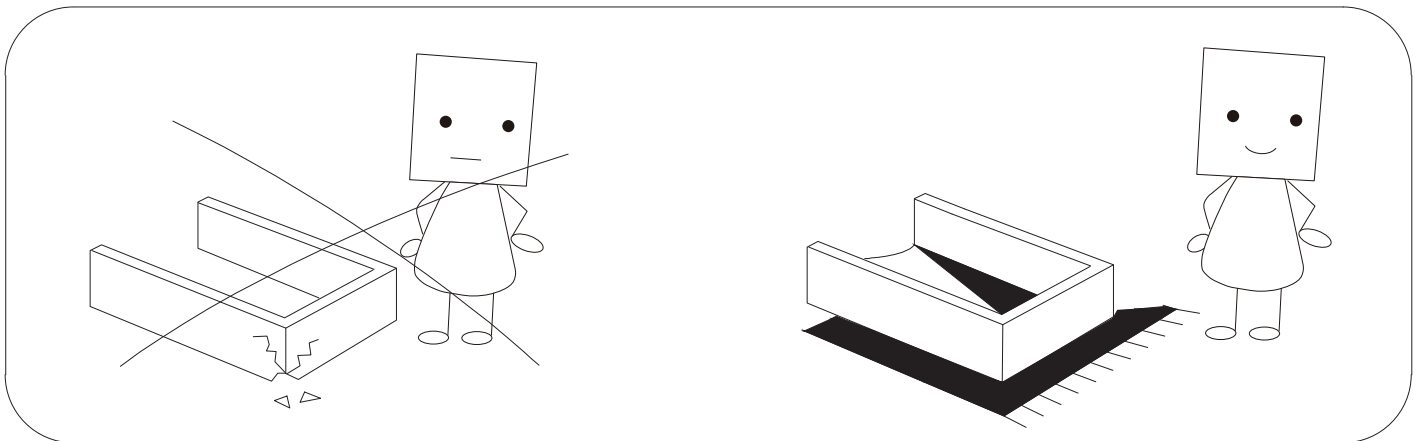


WARNING

Need Two Or More People To Complete

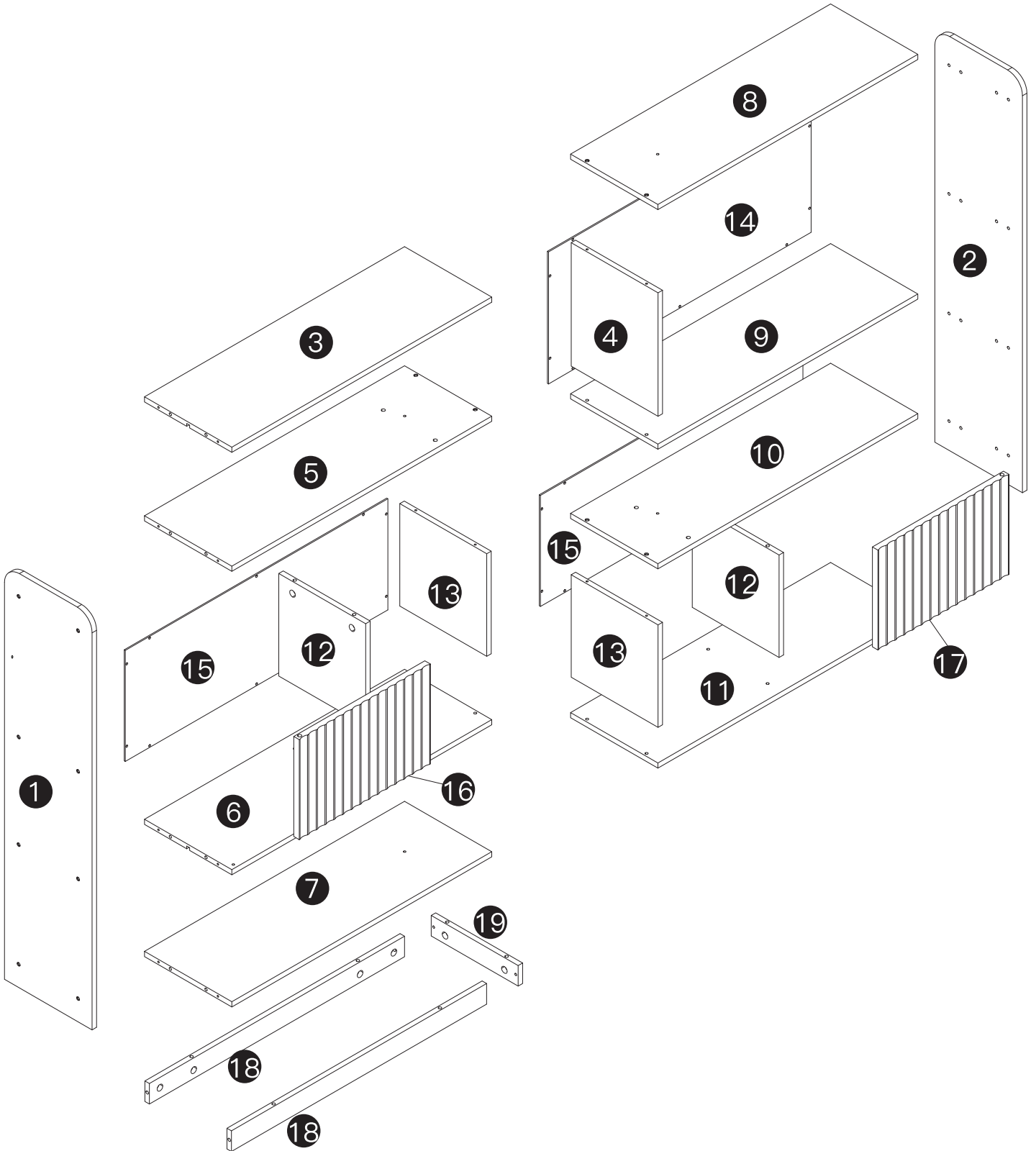


Assemble Item On a Clean Flat Surface



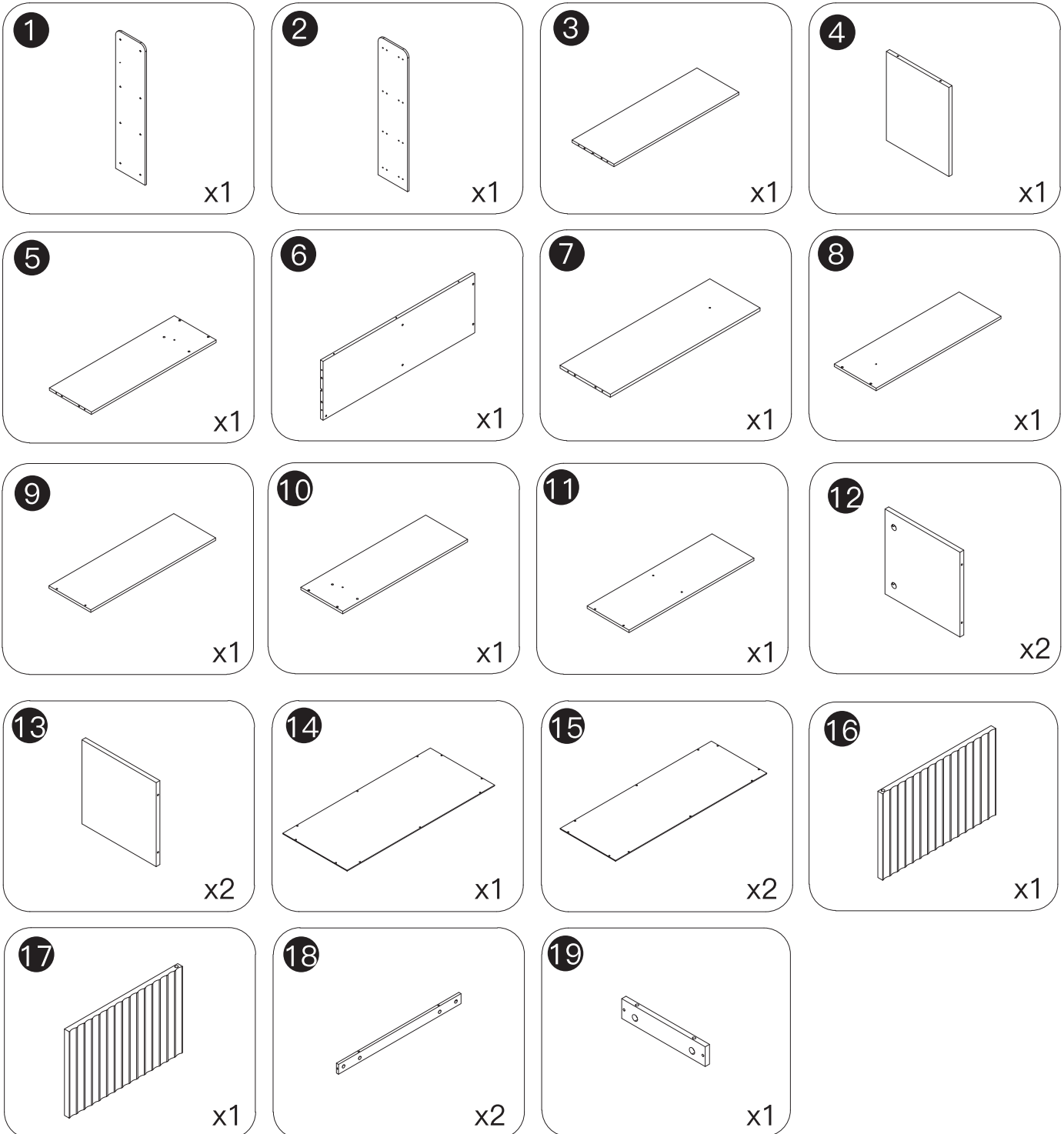
- Please check you have all hardware before assembling.
- Please ensure you have the name of the item and hardware part required and quantity.
- If you have any questions, please contact us by original purchase platform. we will reply you ASAP.
- For the safety of you and your family, it is necessary to install Anti-Tip Device Kit.

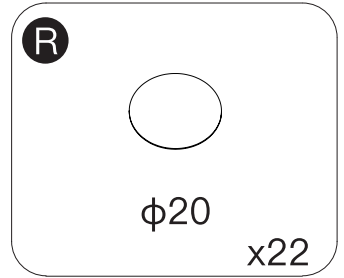
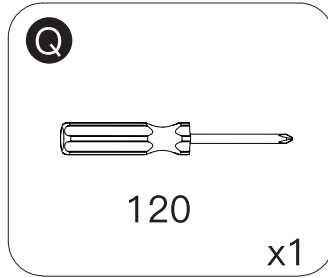
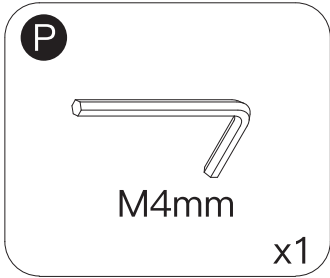
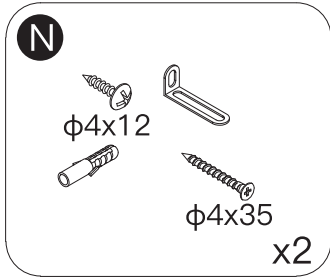
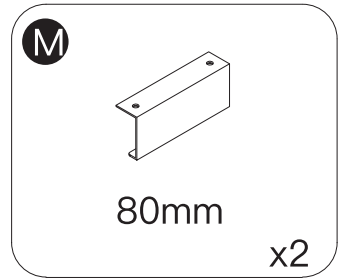
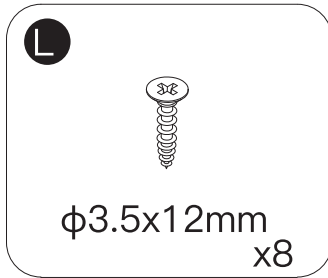
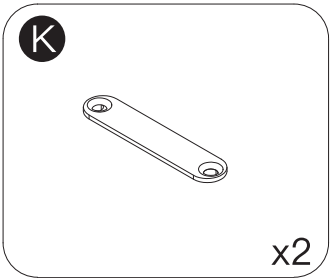
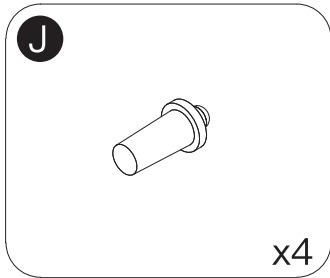
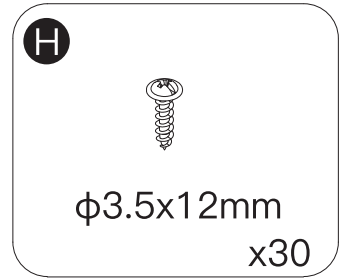
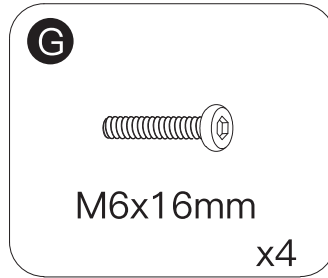
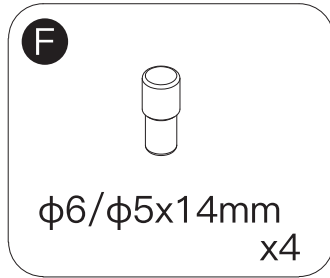
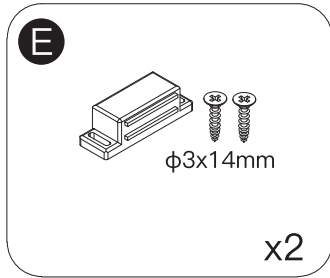
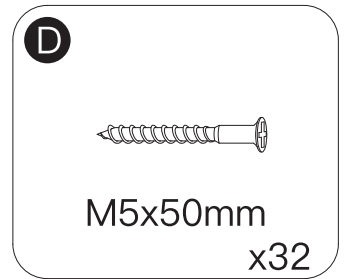
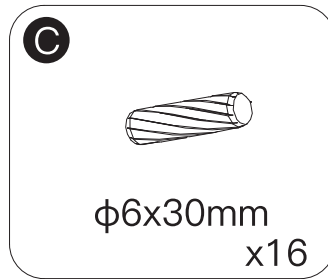
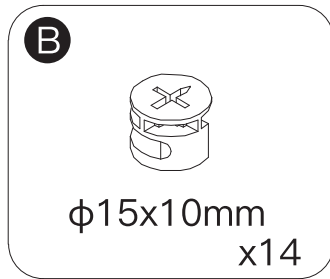
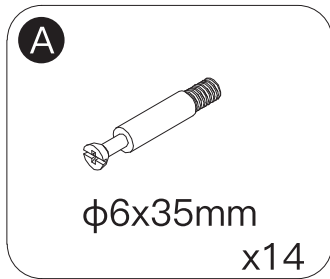
EXPLODED DRAWING:



Please check all parts and accessories according to the parts list before assembling, make sure all contents are sufficient and in good condition. If there is any parts missing or defective, please contact us with purchase platform message immediately to get replacement parts.

PARTS:



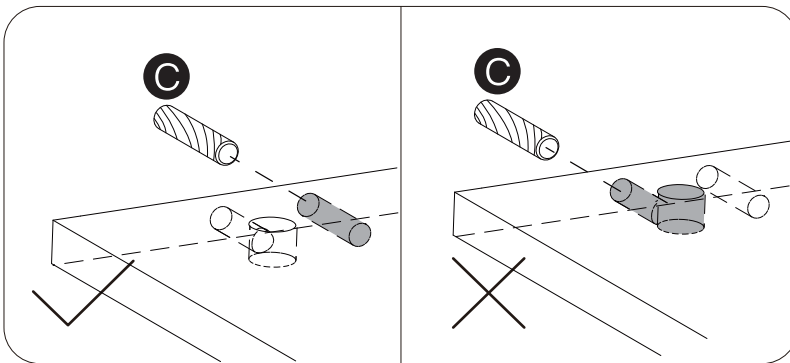


HOW TO INSTALL

NOTICE:

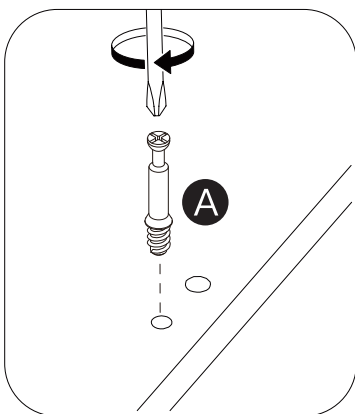
1. Use electric drill for easier installation experience.
2. Please drive the screws in pre-drilled holes.
3. Please strictly follow the instruction and diagram in every step.
4. Make sure every part is on the right position, otherwise it may cause unnecessary problem.
5. Select the proper component via the label on every part while assembling.

REMARK:



Avoid inserting part **C** into wrong holes.

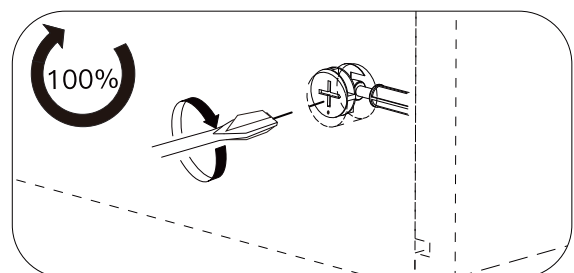
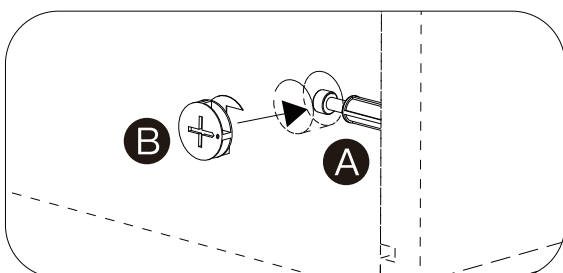
ENSURE PART A IS INSTALLED VERTICALLY



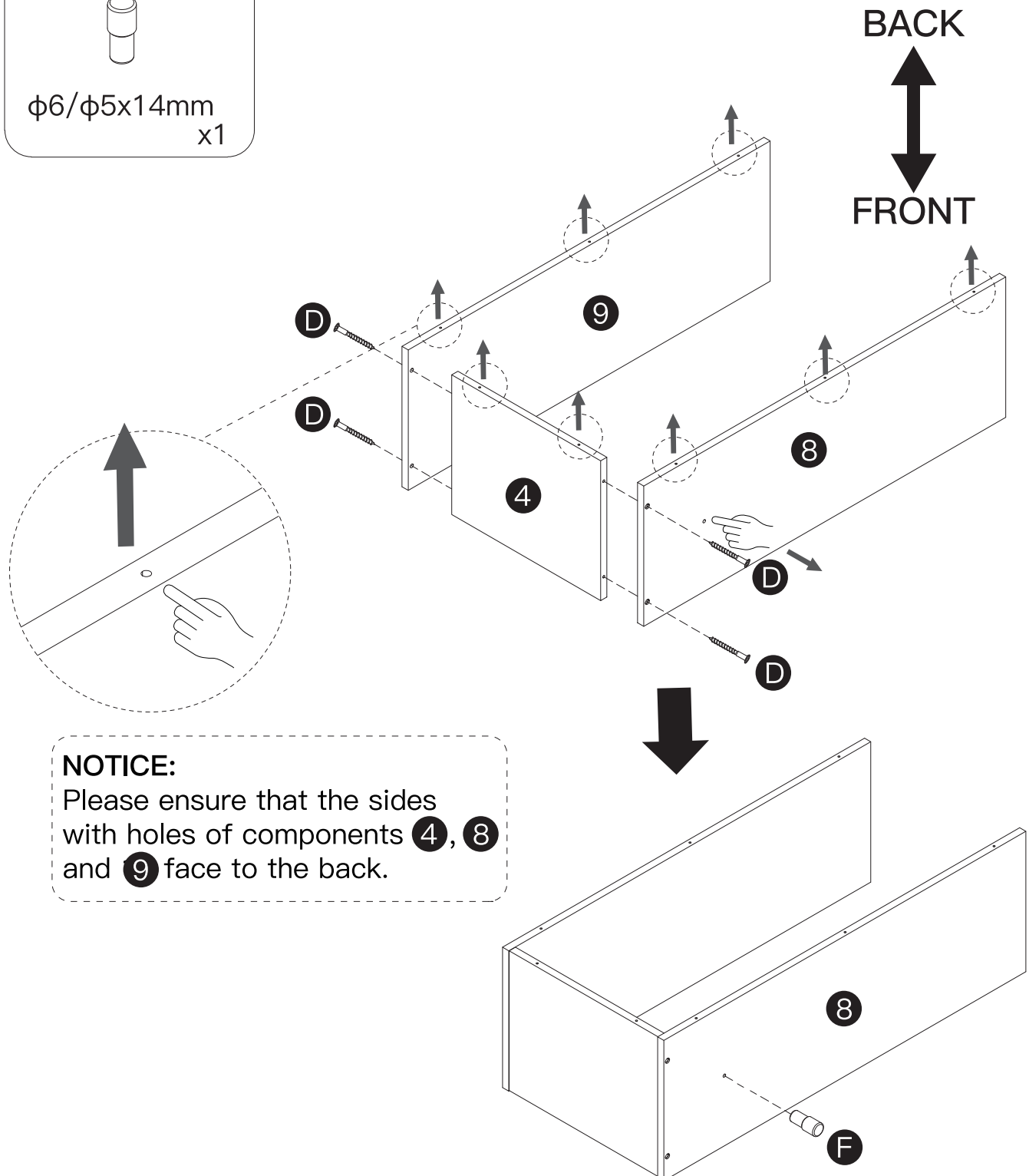
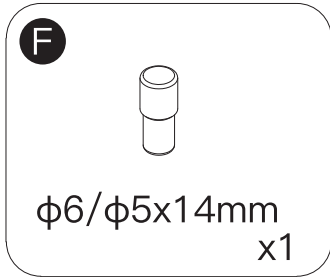
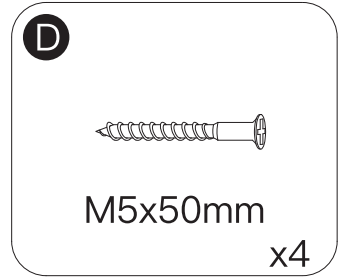
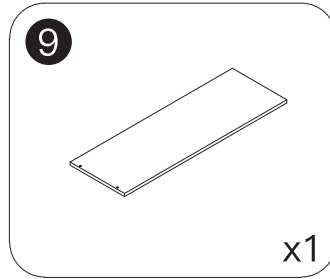
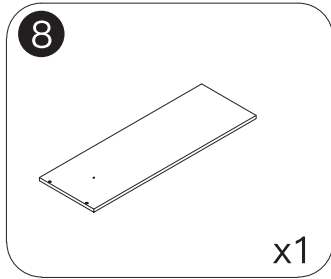
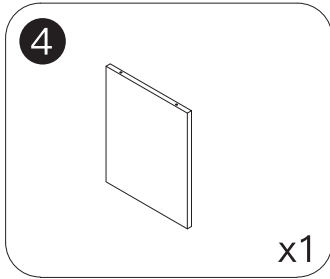
Part **A** must be installed in the specific holes in accordance with the instructions in the manual.

Please ensure that part **A** is facing the direction of the gap of part **B**.

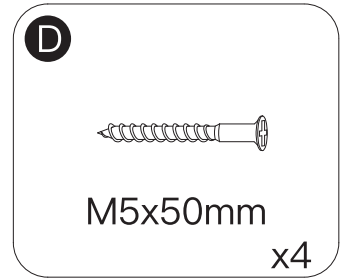
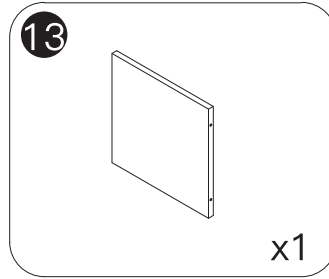
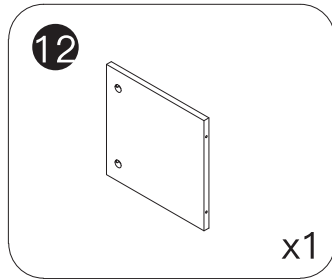
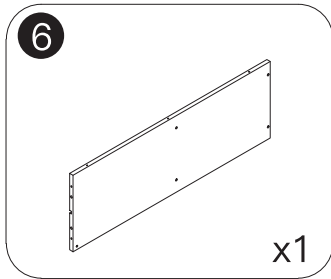
When locking part **B**, please make sure part **A** is fully inserted.



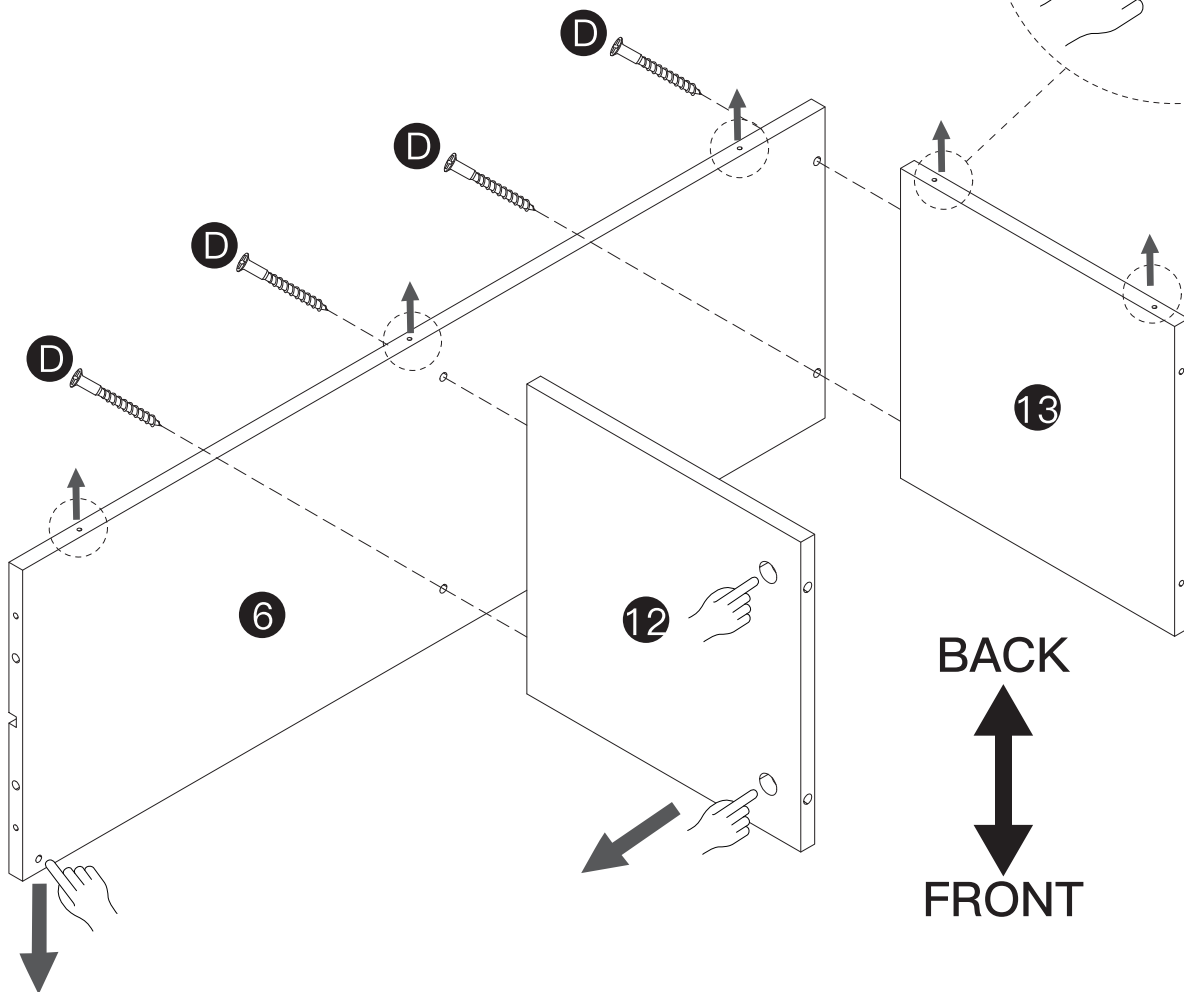
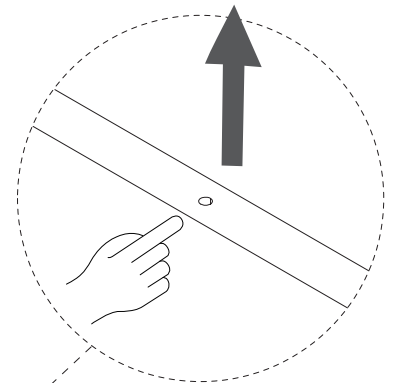
STEP 1



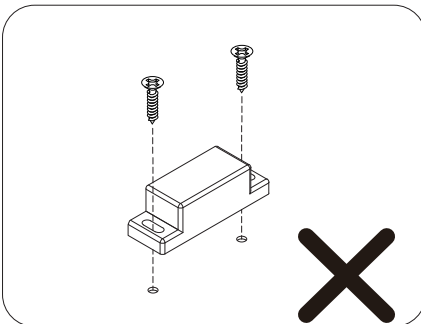
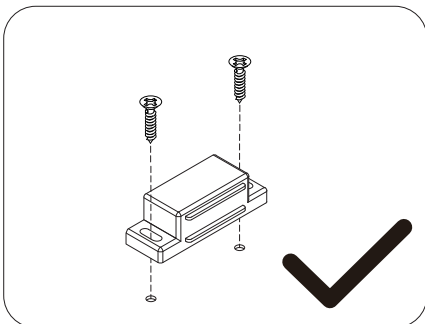
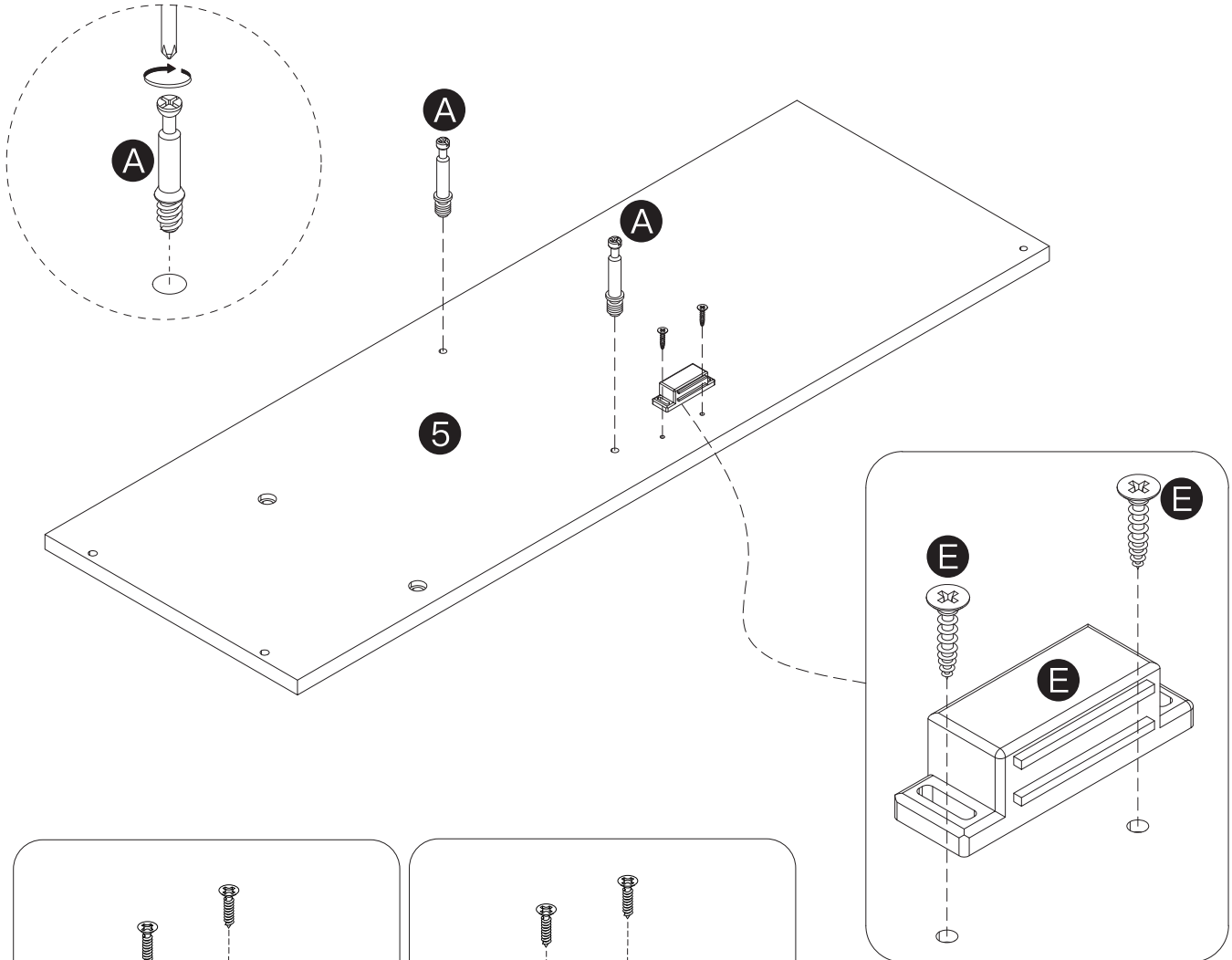
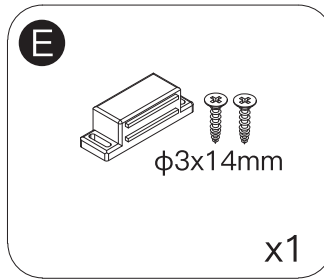
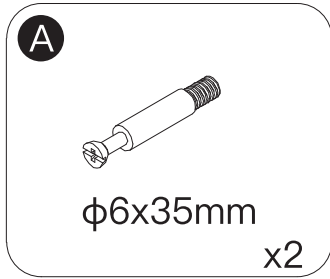
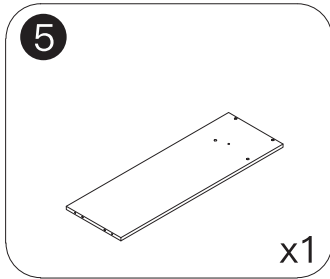
STEP 2



NOTICE:
Please note the installation
orientation of components **6**,
12 and **13**.



STEP 3



NOTICE:

1. The magnetic port faces outward.
2. Please align the screw with the center of the magnetic holes.

STEP 4

B



$\phi 15 \times 10 \text{mm}$
x2

D

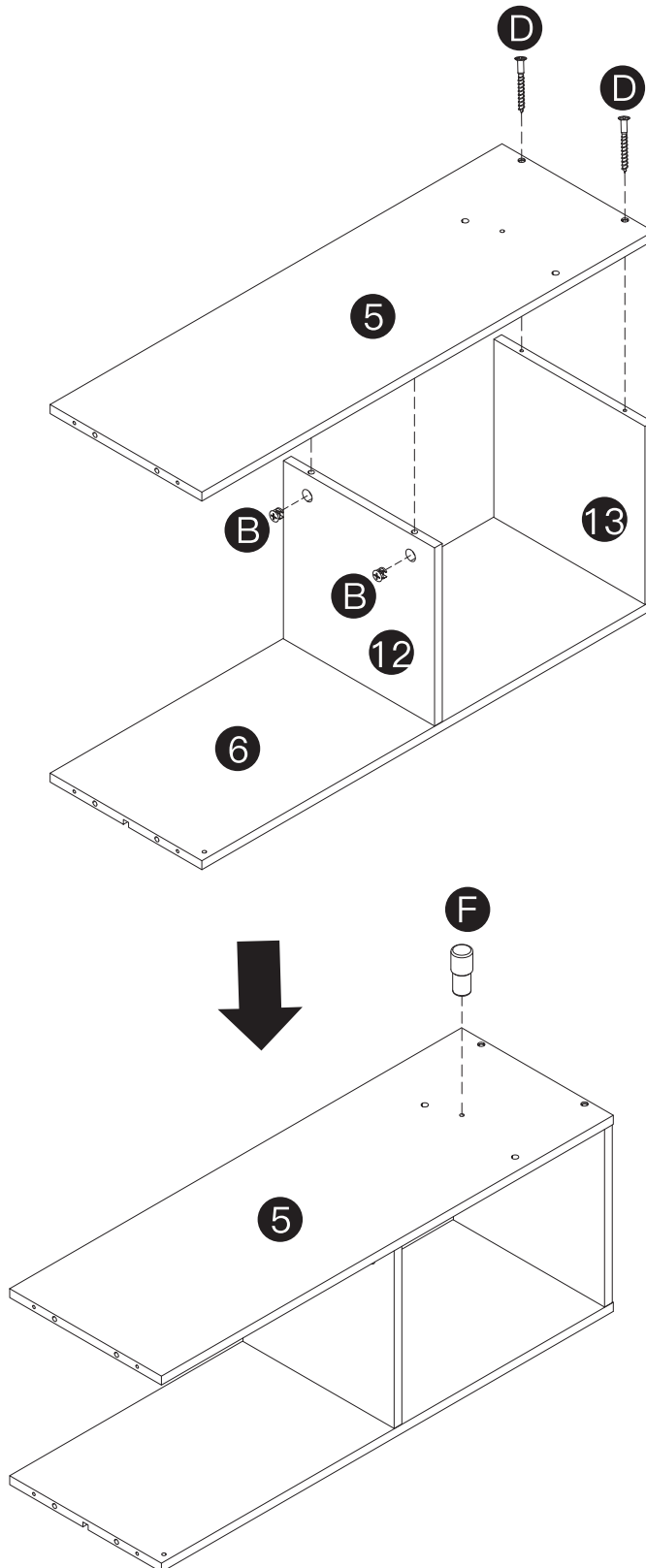


M5x50mm
x2

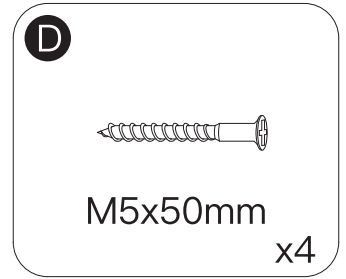
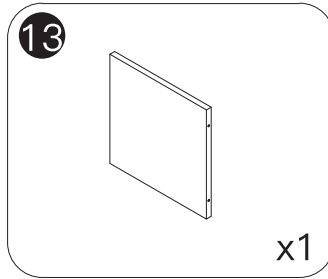
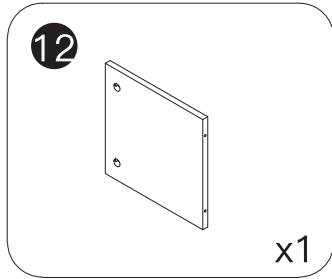
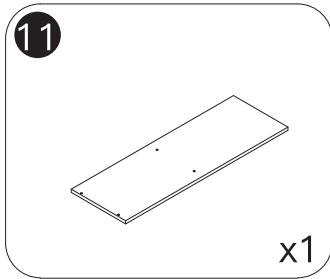
F



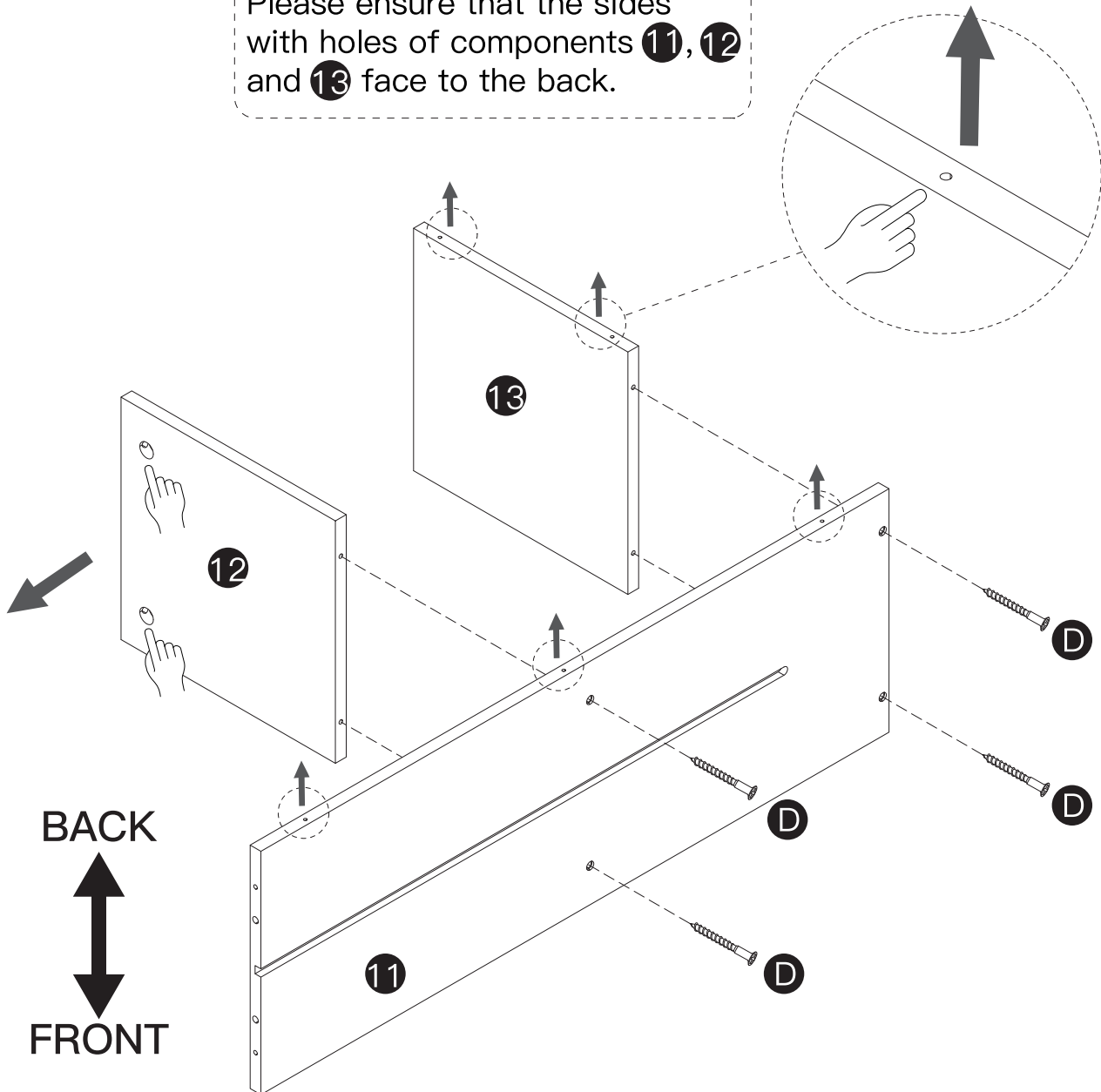
$\phi 6 / \phi 5 \times 14 \text{mm}$
x1



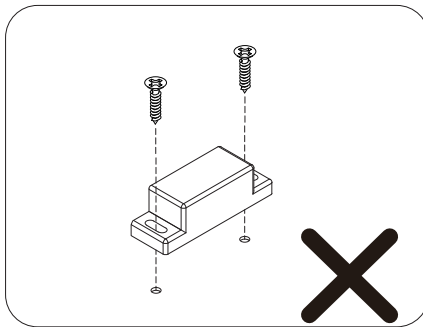
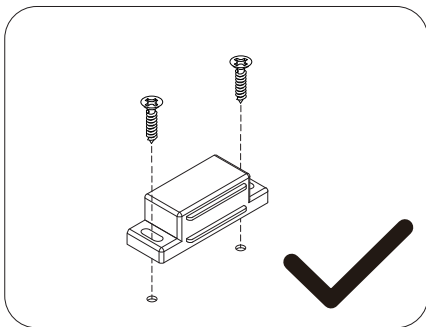
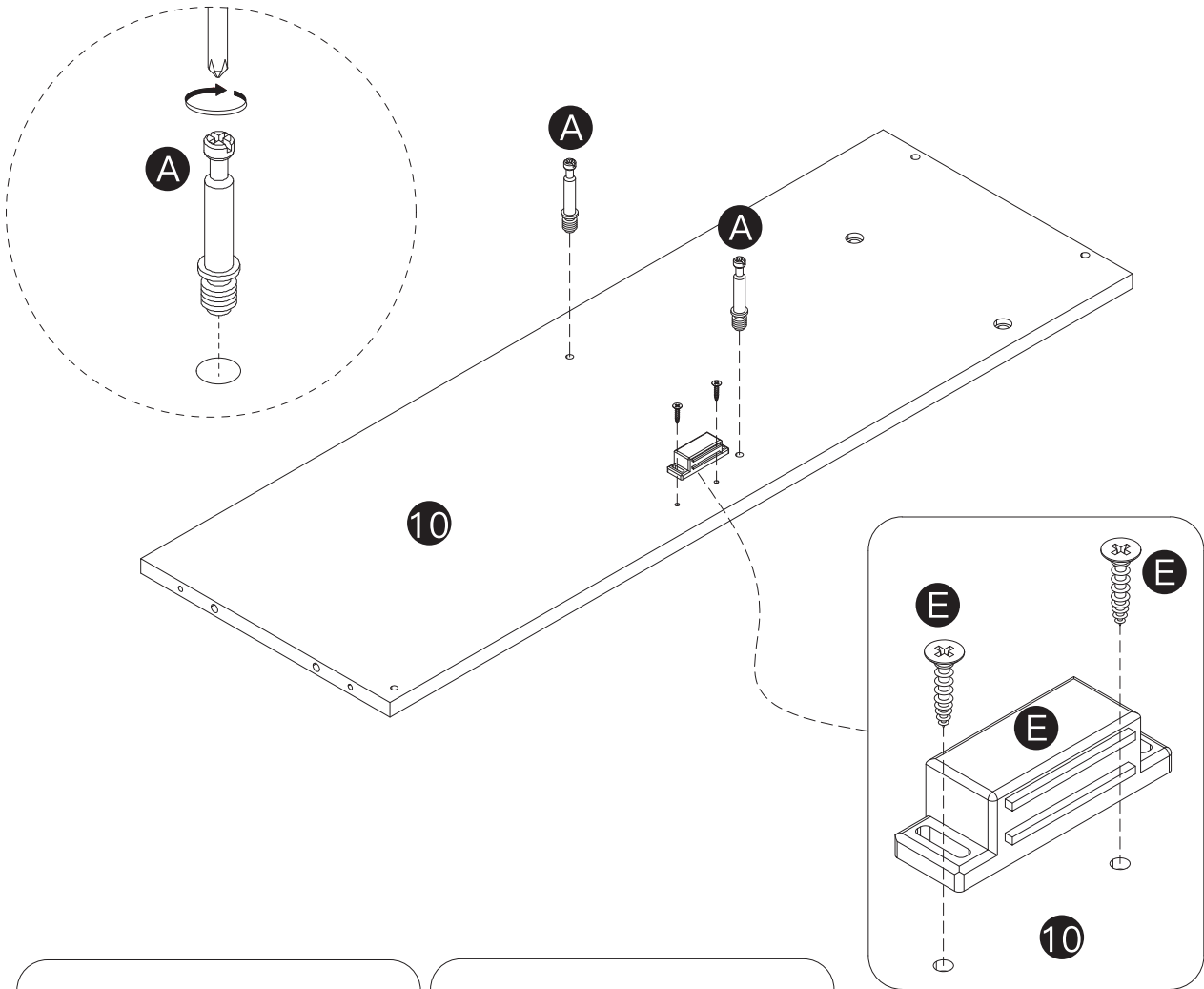
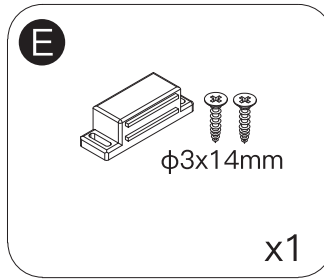
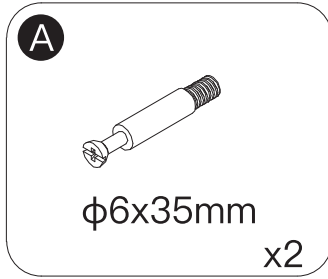
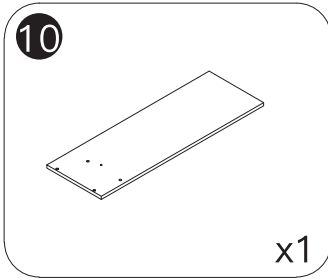
STEP 5



NOTICE:
Please ensure that the sides with holes of components **11**, **12** and **13** face to the back.



STEP 6



NOTICE:

1. The magnetic port faces outward.
2. Please align the screw with the center of the magnetic holes.

STEP 7

B



$\phi 15 \times 10 \text{mm}$
x2

D

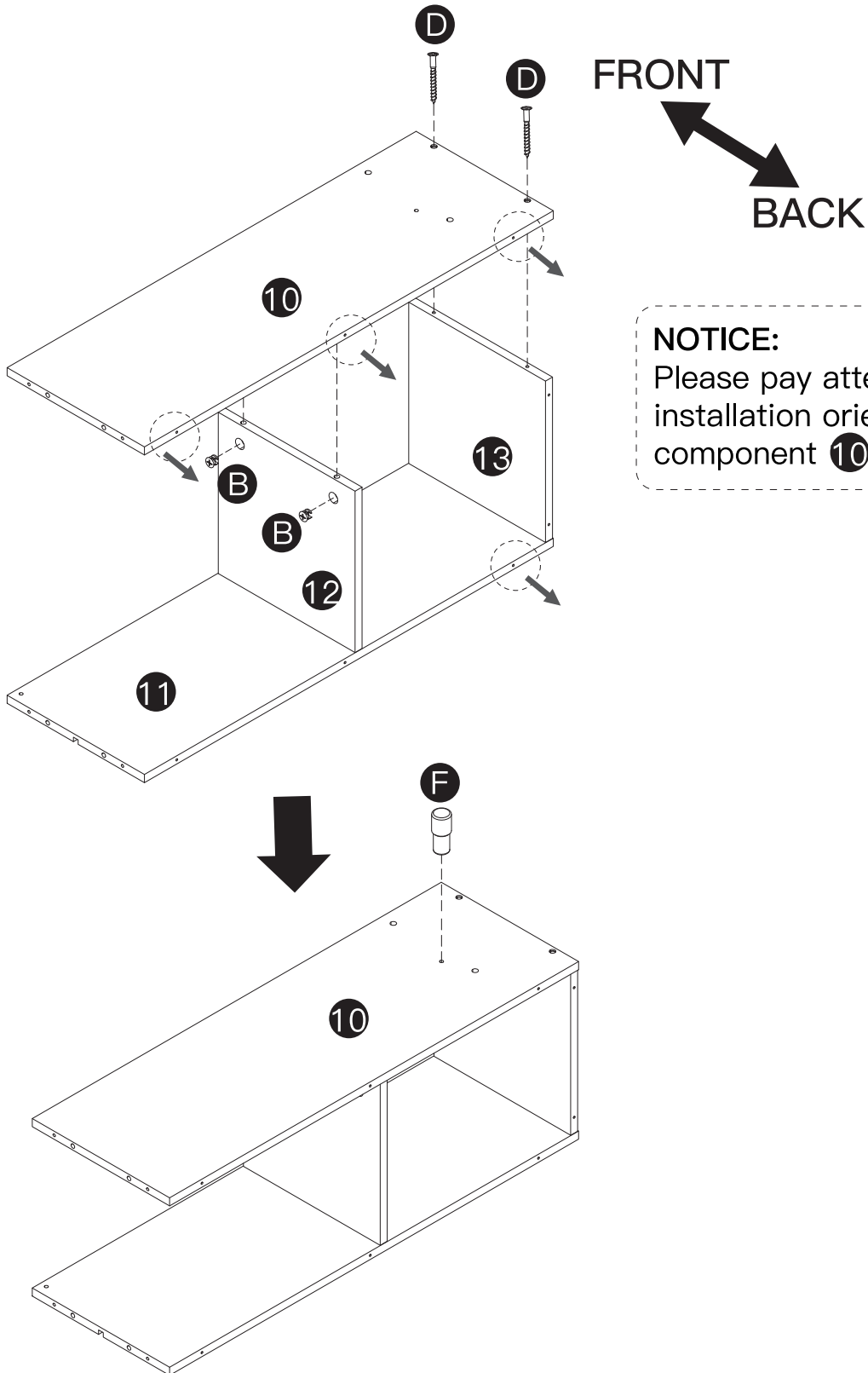


M5x50mm
x2

F



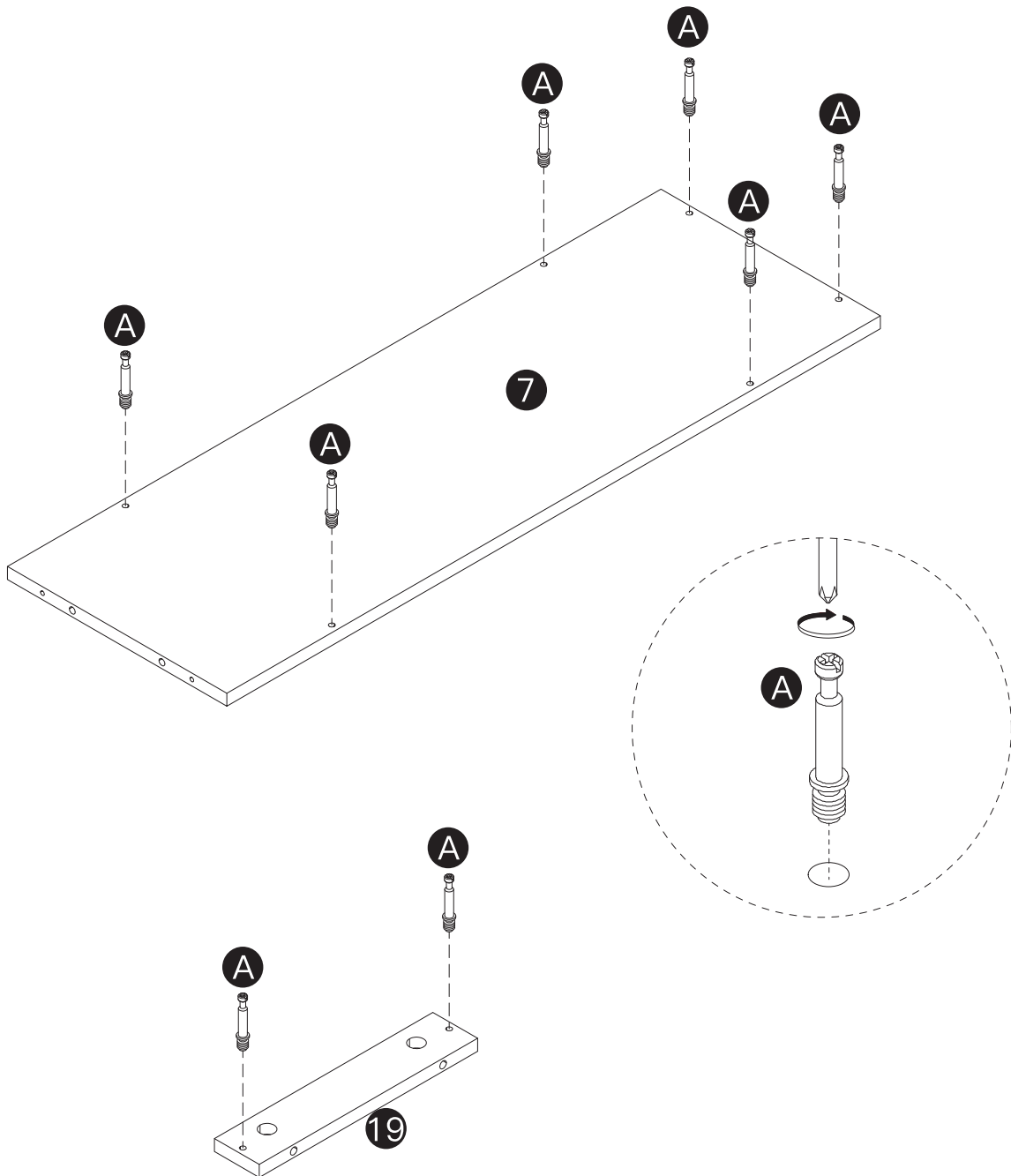
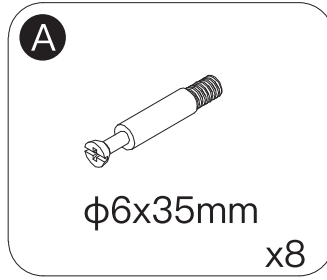
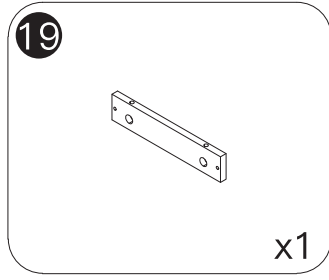
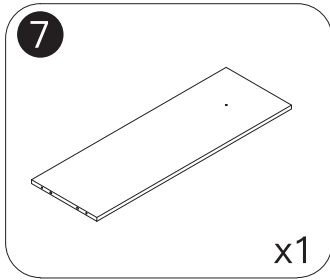
$\phi 6 / \phi 5 \times 14 \text{mm}$
x1



NOTICE:

Please pay attention to the installation orientation of component 10.

STEP 8



STEP 10

G

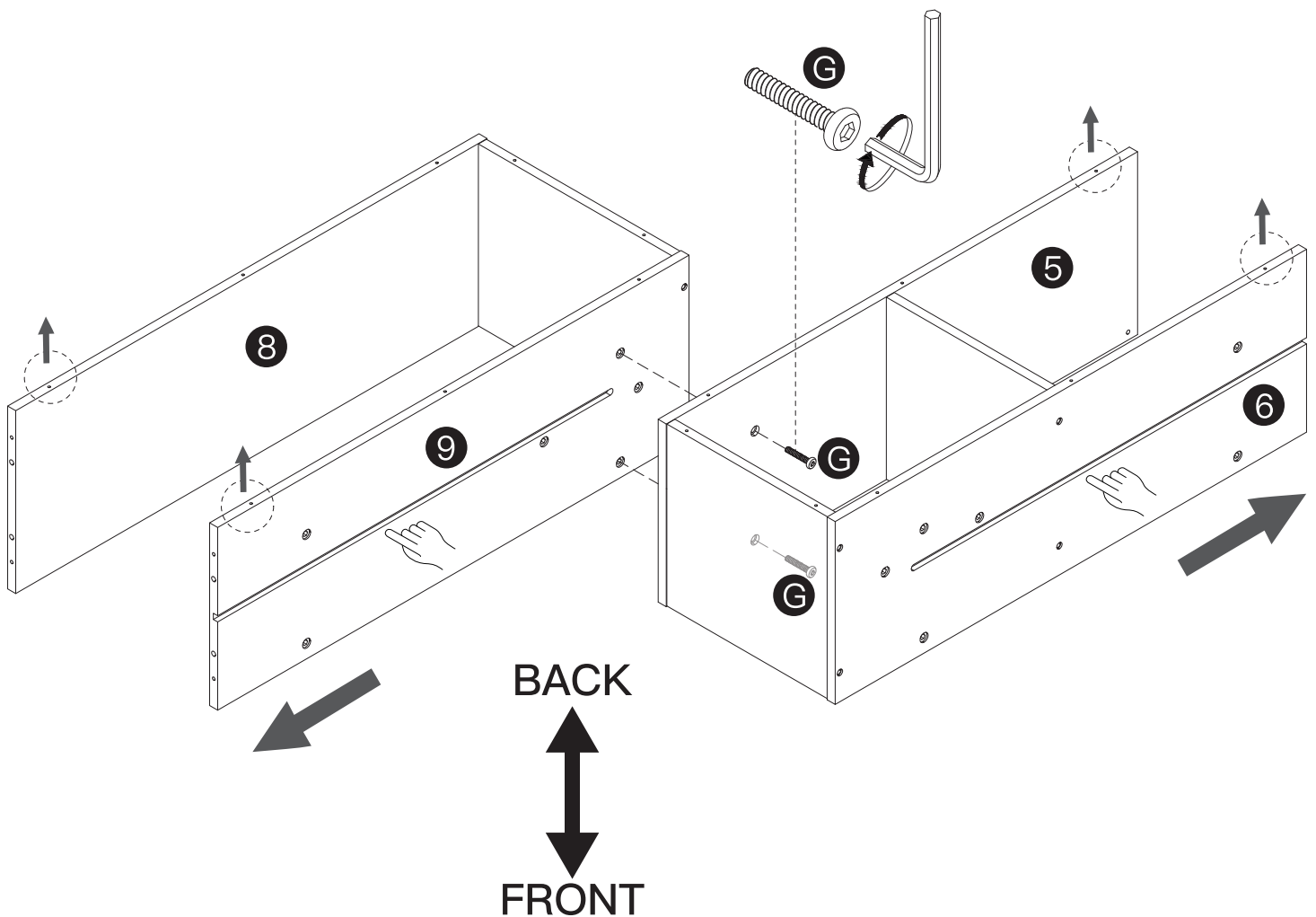


M6x16mm

x2

NOTICE:

1. Please note the installation orientation of components **8** and **9**, as well as **5** and **6**.
2. Please ensure that part **F** on component **5** is snapped into the groove of component **9**, aligned with the holes, and then secured with screws.



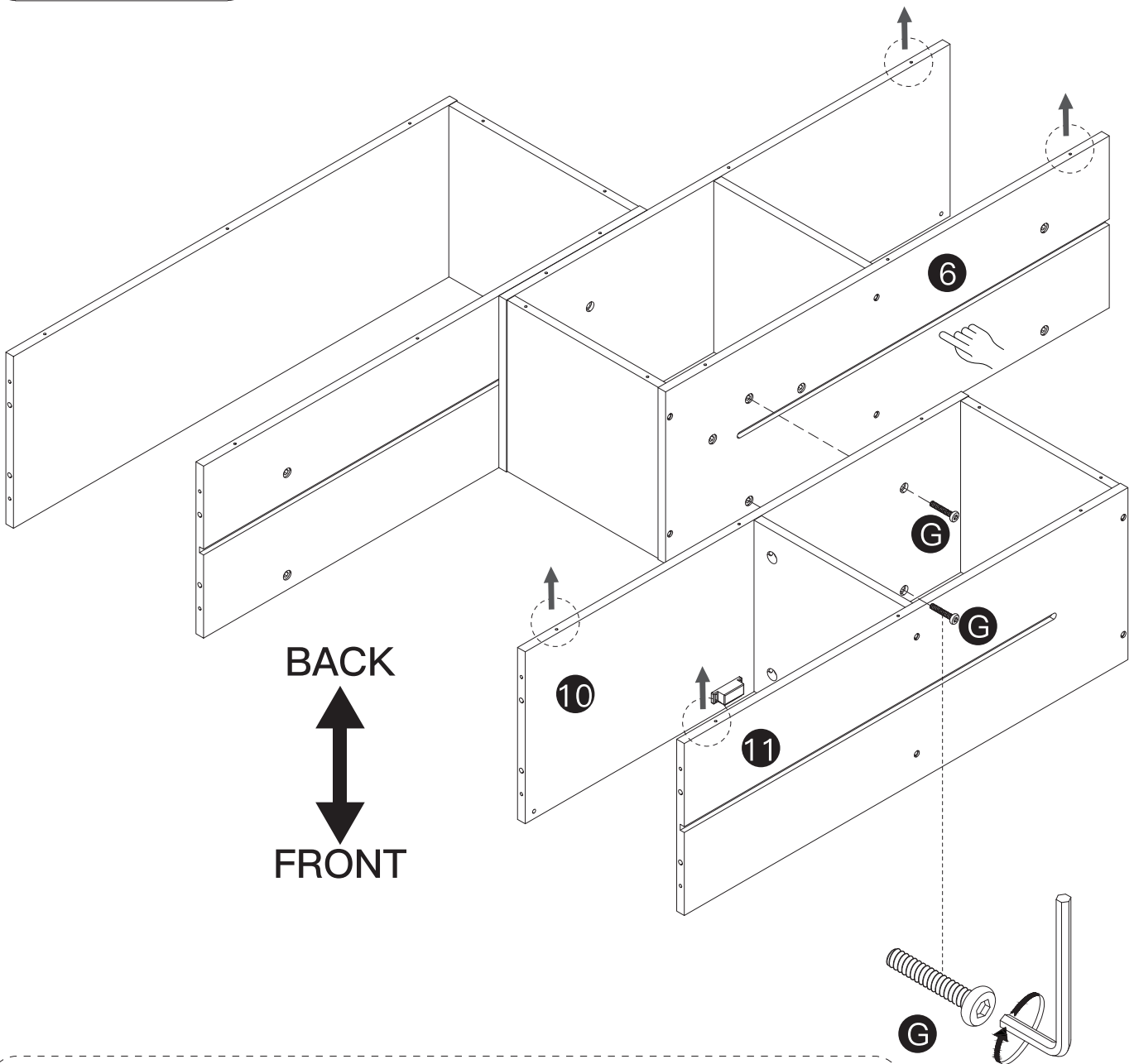
STEP 11

G



M6x16mm

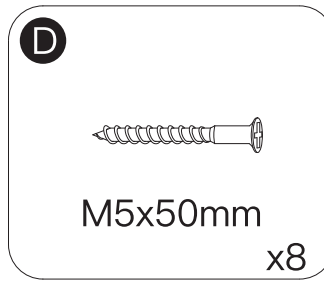
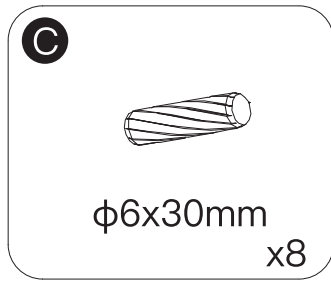
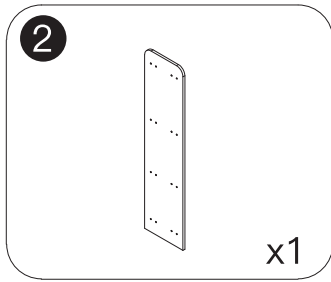
x2



NOTICE:

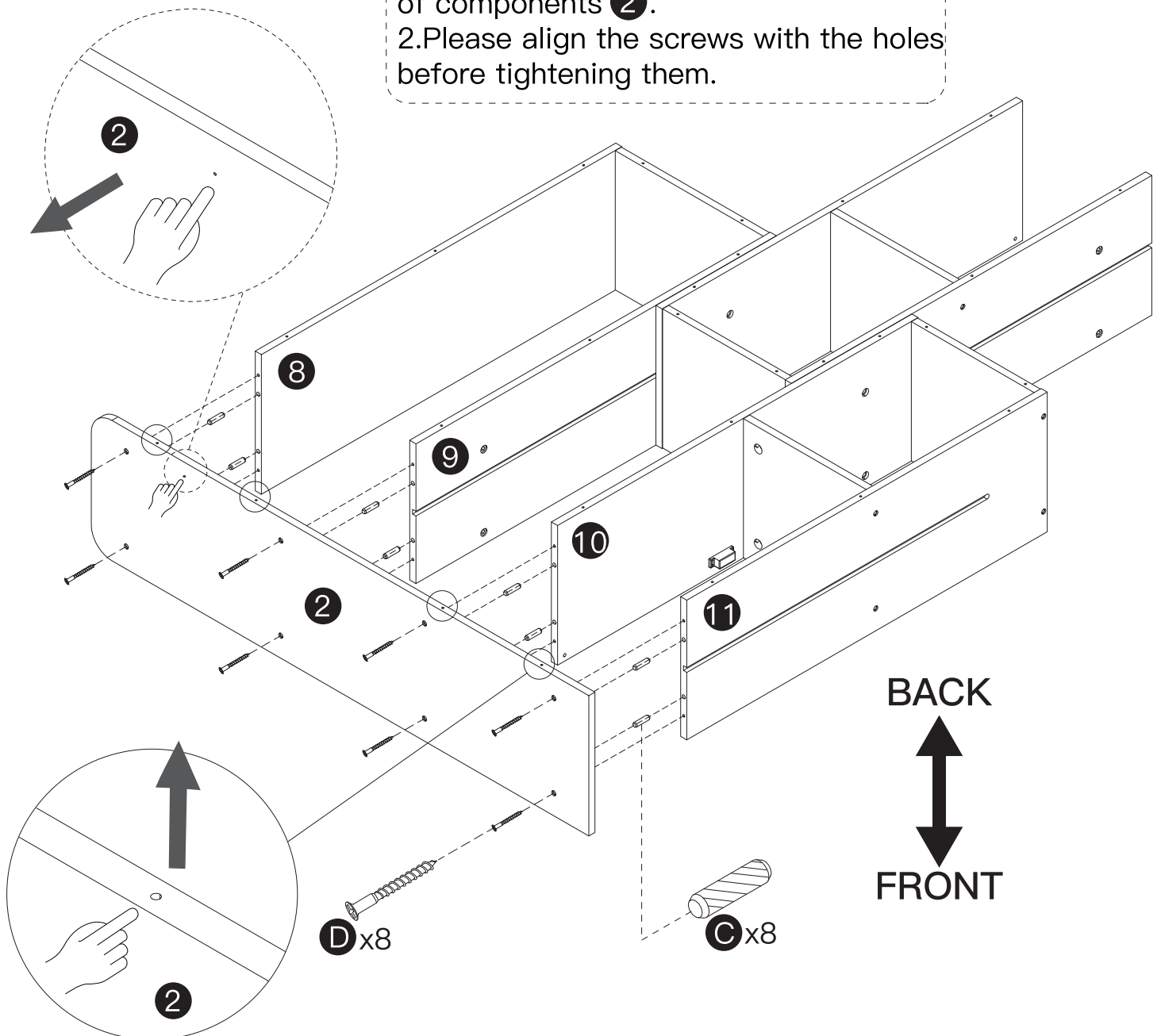
Please ensure that part **F** on component **10** is snapped into the groove of component **6**, aligned with the holes, and then secured with screws.

STEP 12

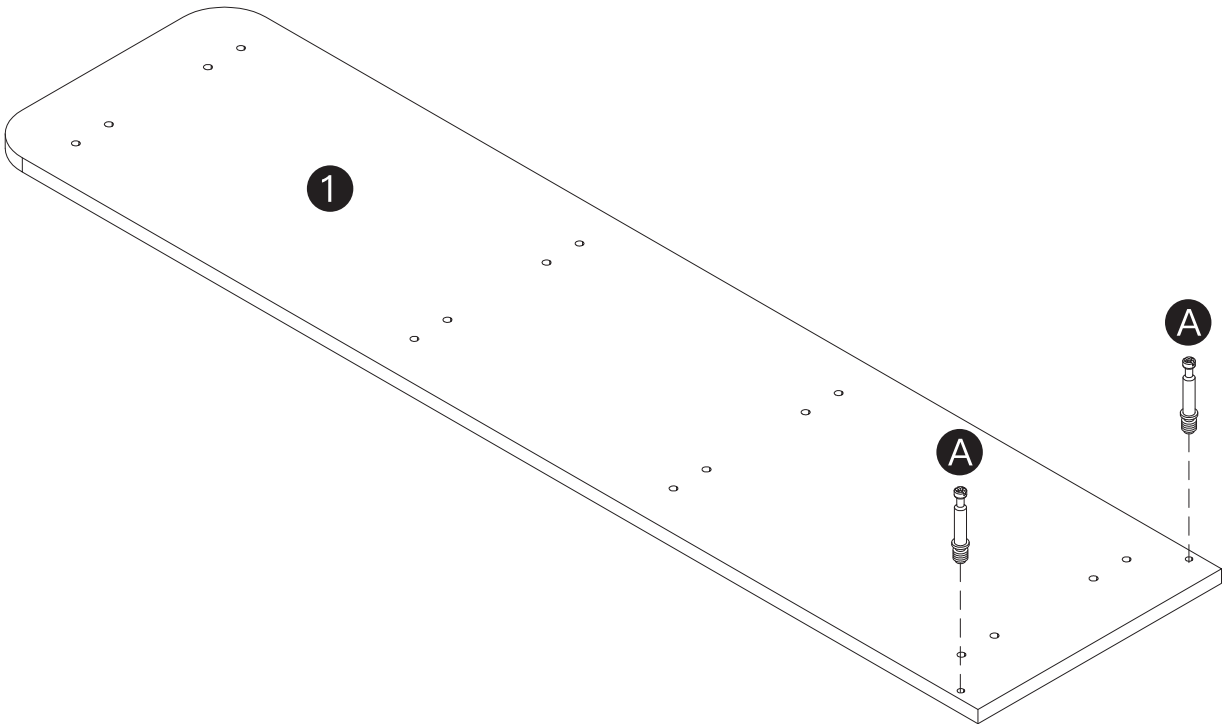
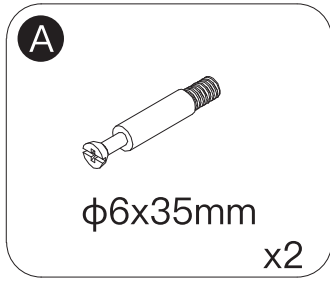
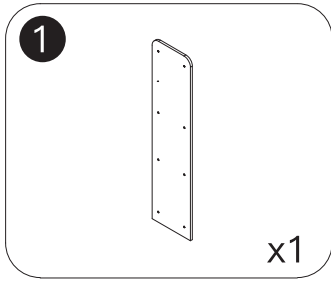


NOTICE:

1. Please note the installation orientation of components 2.
2. Please align the screws with the holes before tightening them.



STEP 13



STEP 14

C



$\phi 6 \times 30 \text{mm}$

x4

D

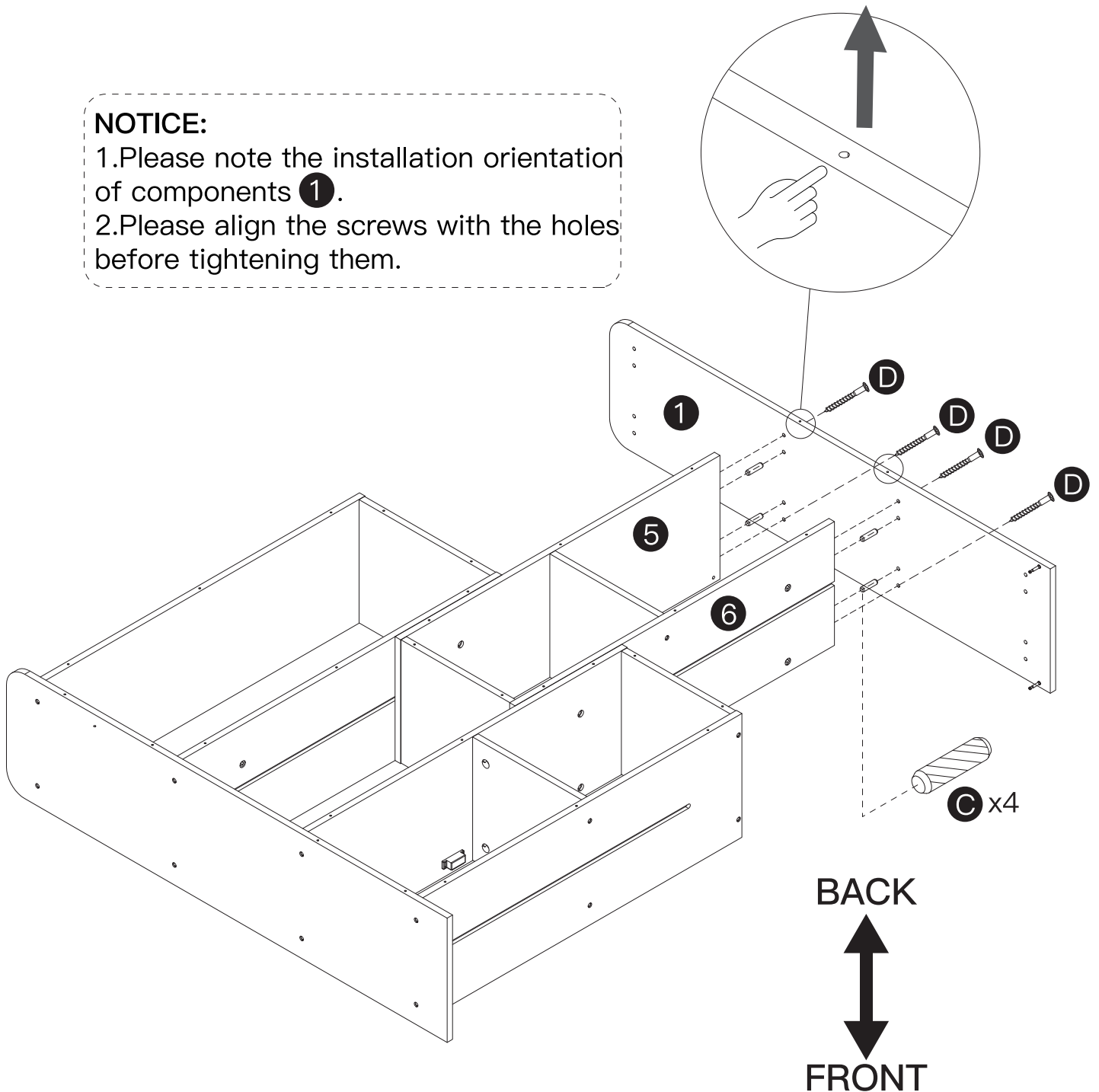


M5x50mm

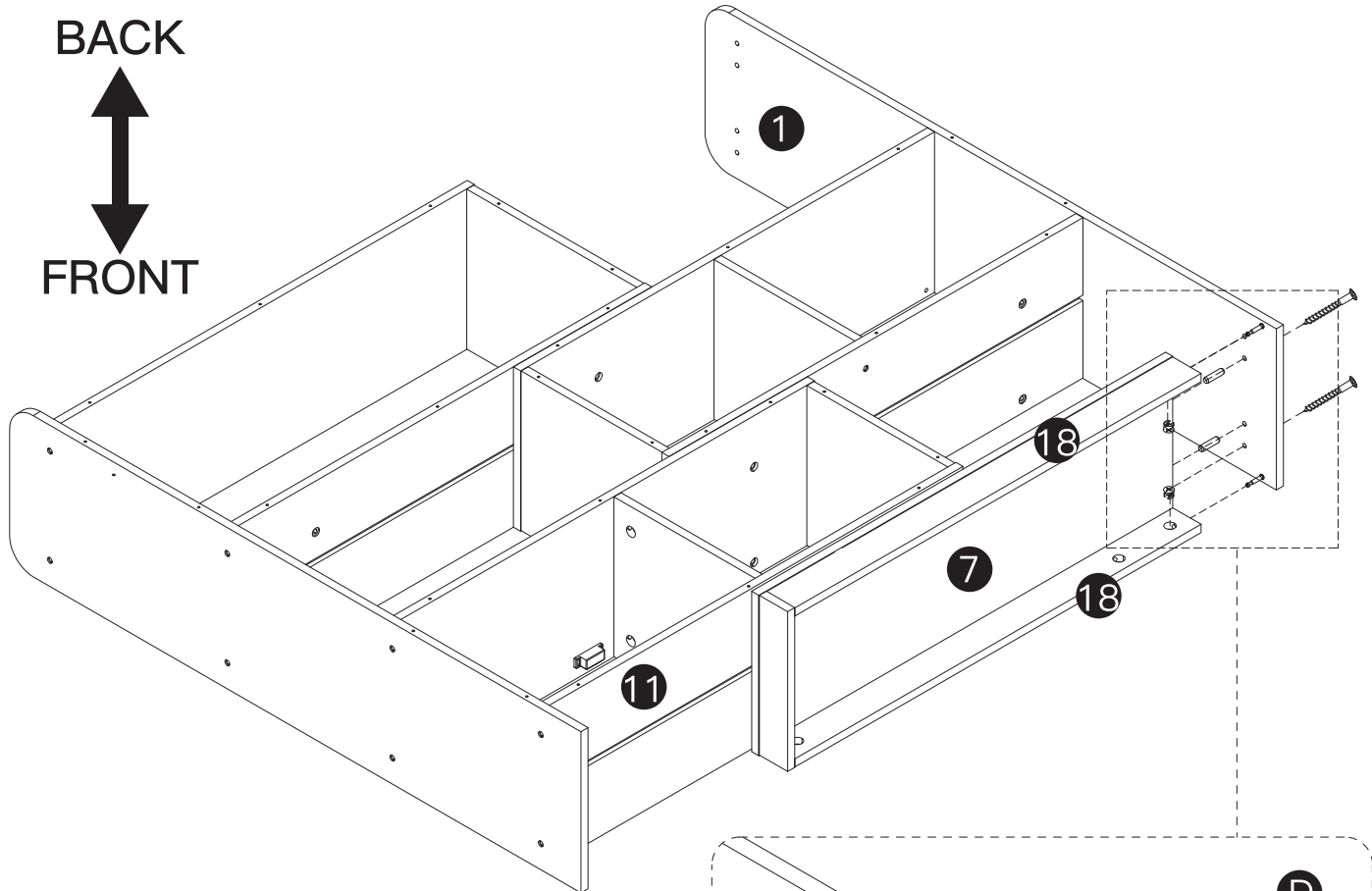
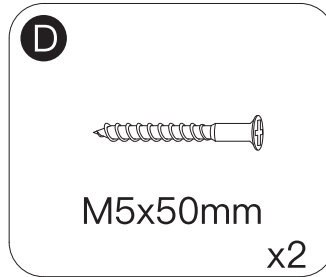
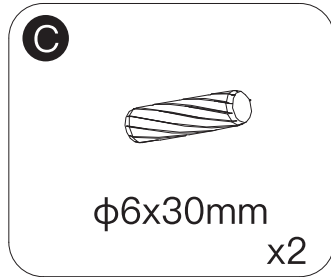
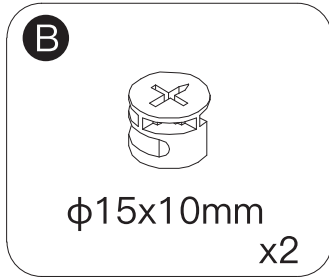
x4

NOTICE:

1. Please note the installation orientation of components **1**.
2. Please align the screws with the holes before tightening them.

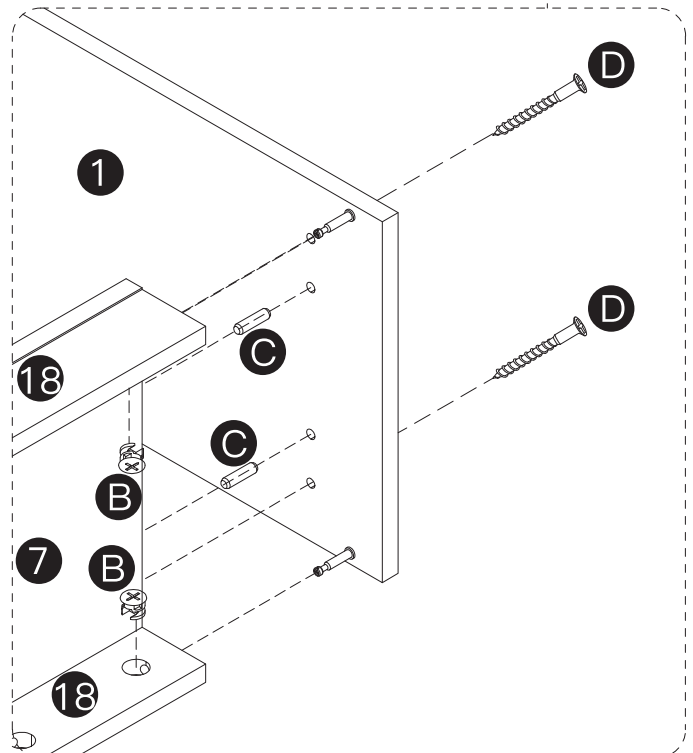


STEP 15

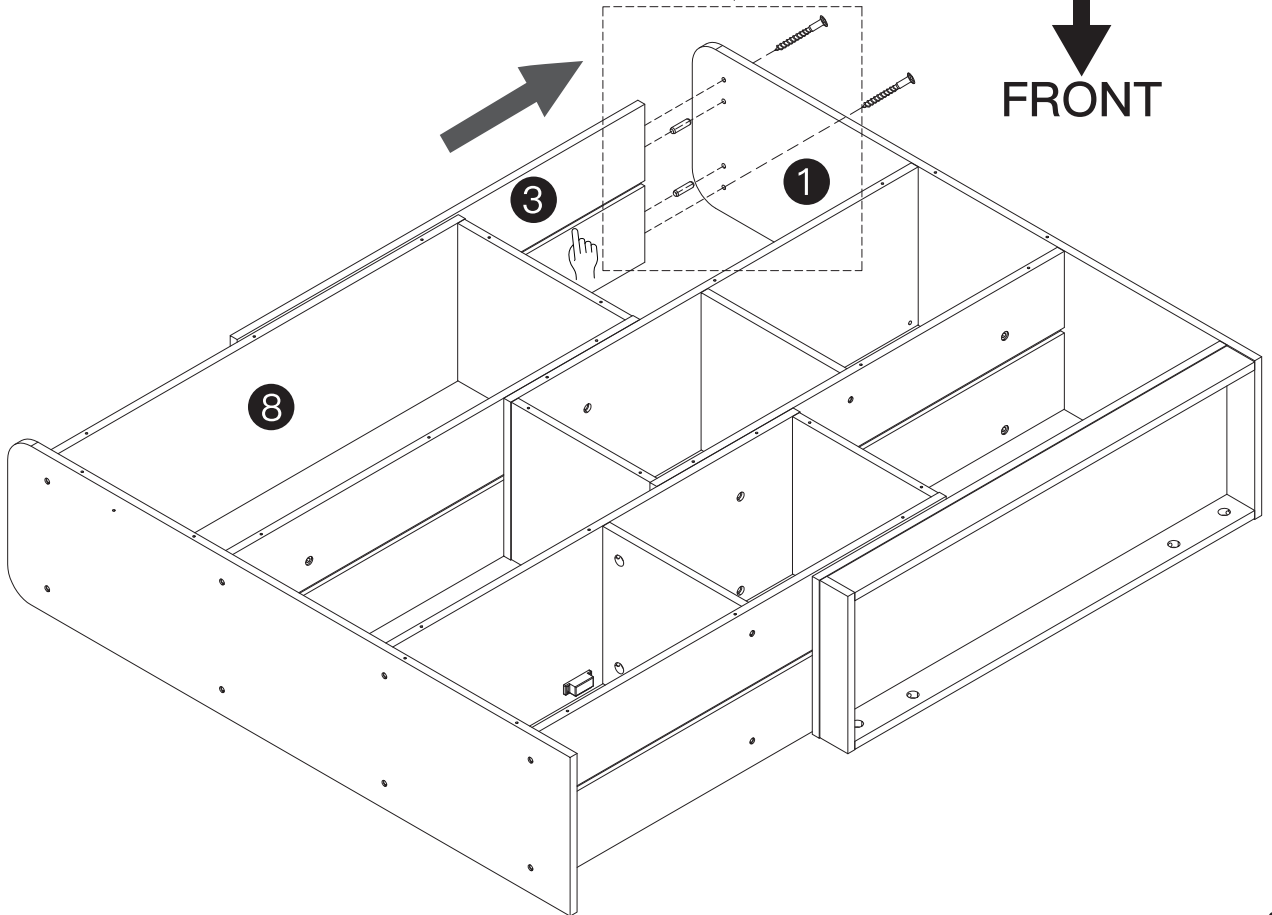
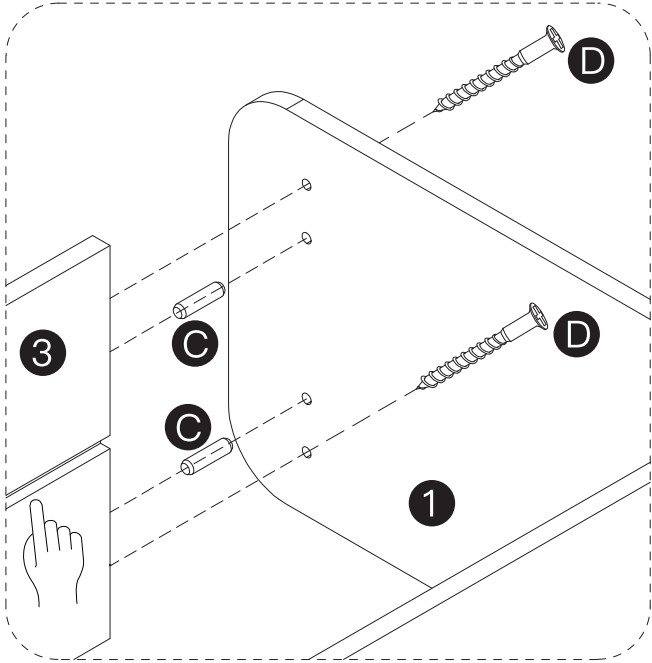
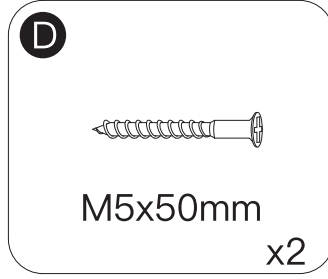
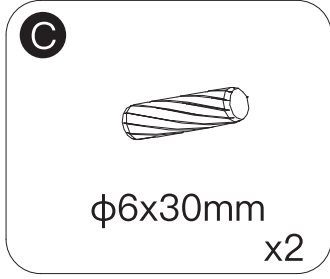
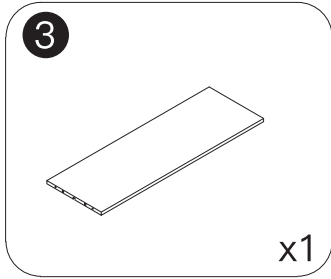


NOTICE:

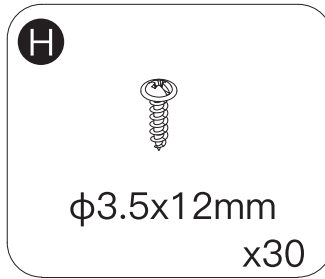
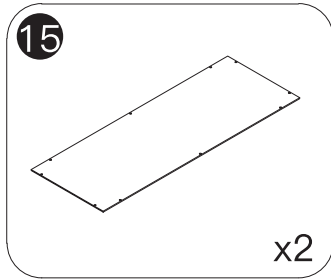
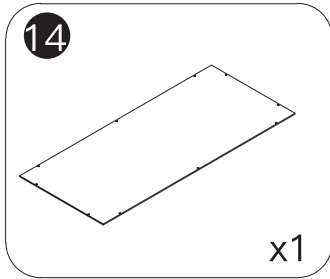
Please ensure that part **F** on component **7** is snapped into the groove of component **11**, aligned with the holes, and then secured with screws.



STEP 16

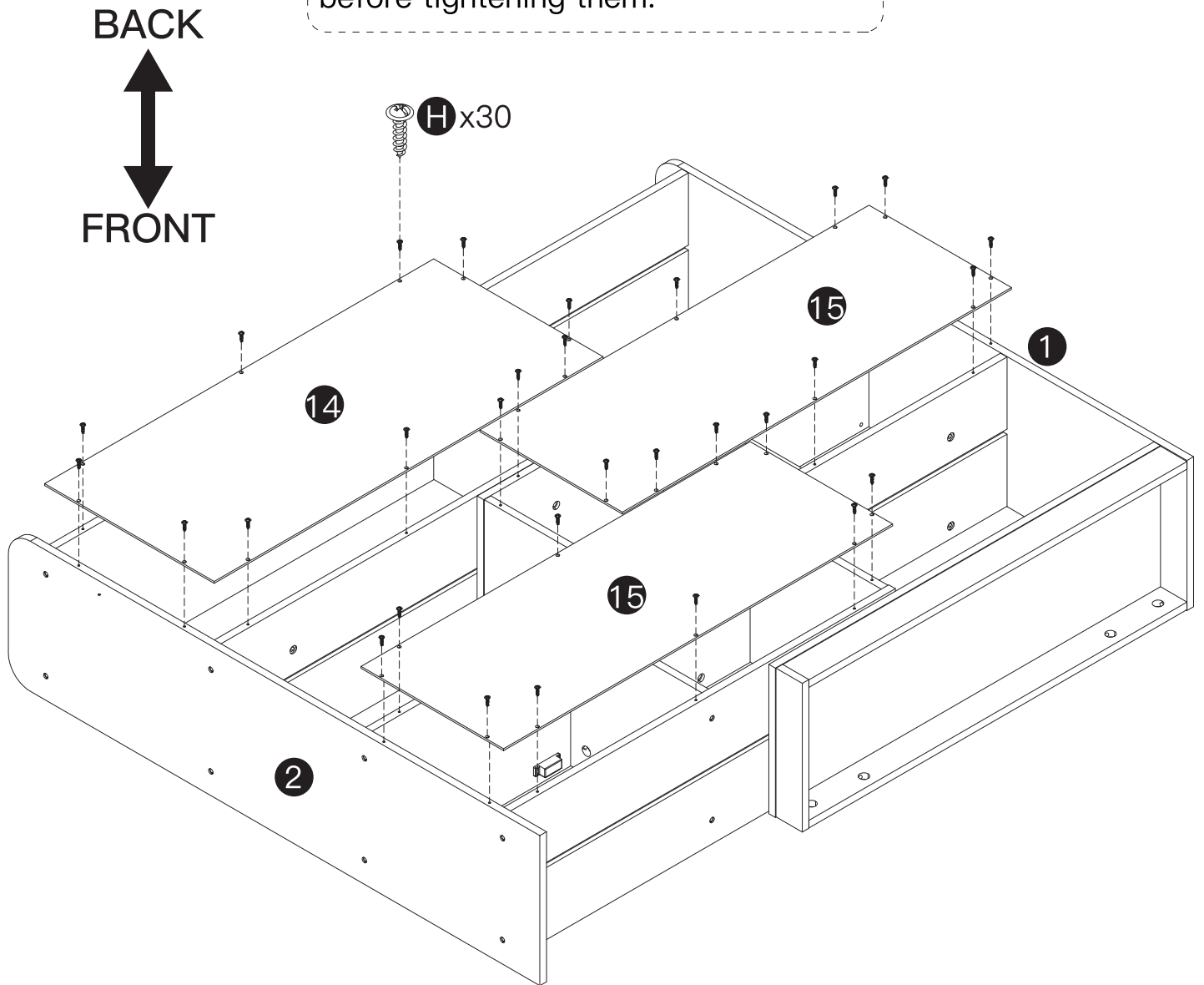


STEP 17

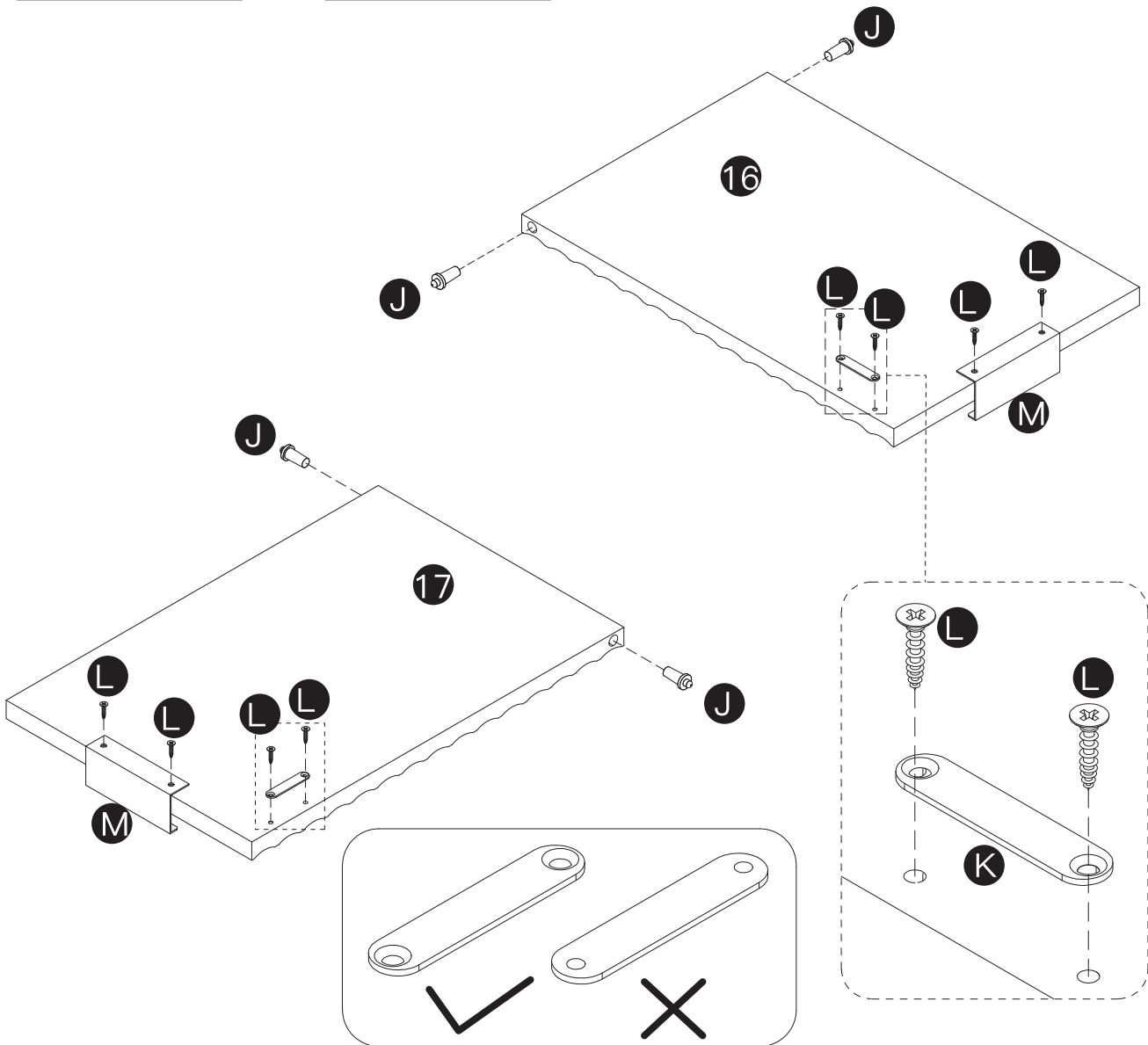
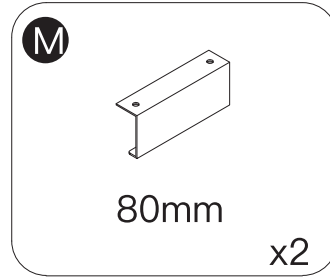
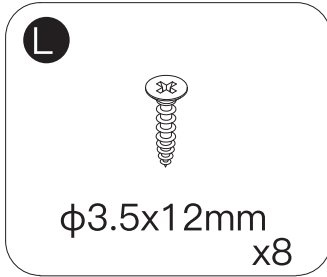
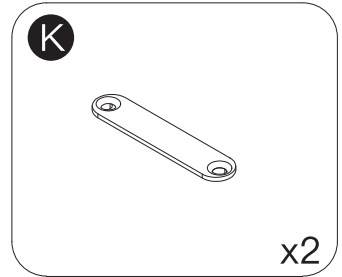
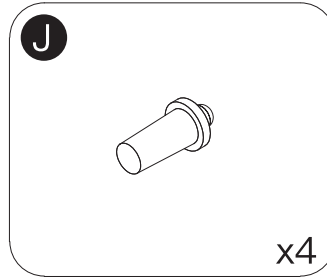
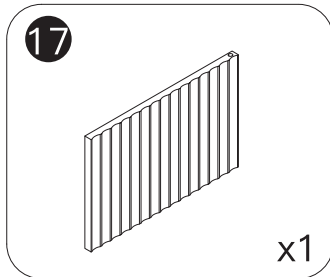
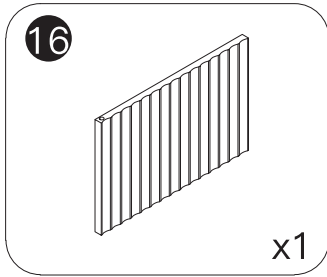


NOTICE:

Please align the screws with the holes before tightening them.

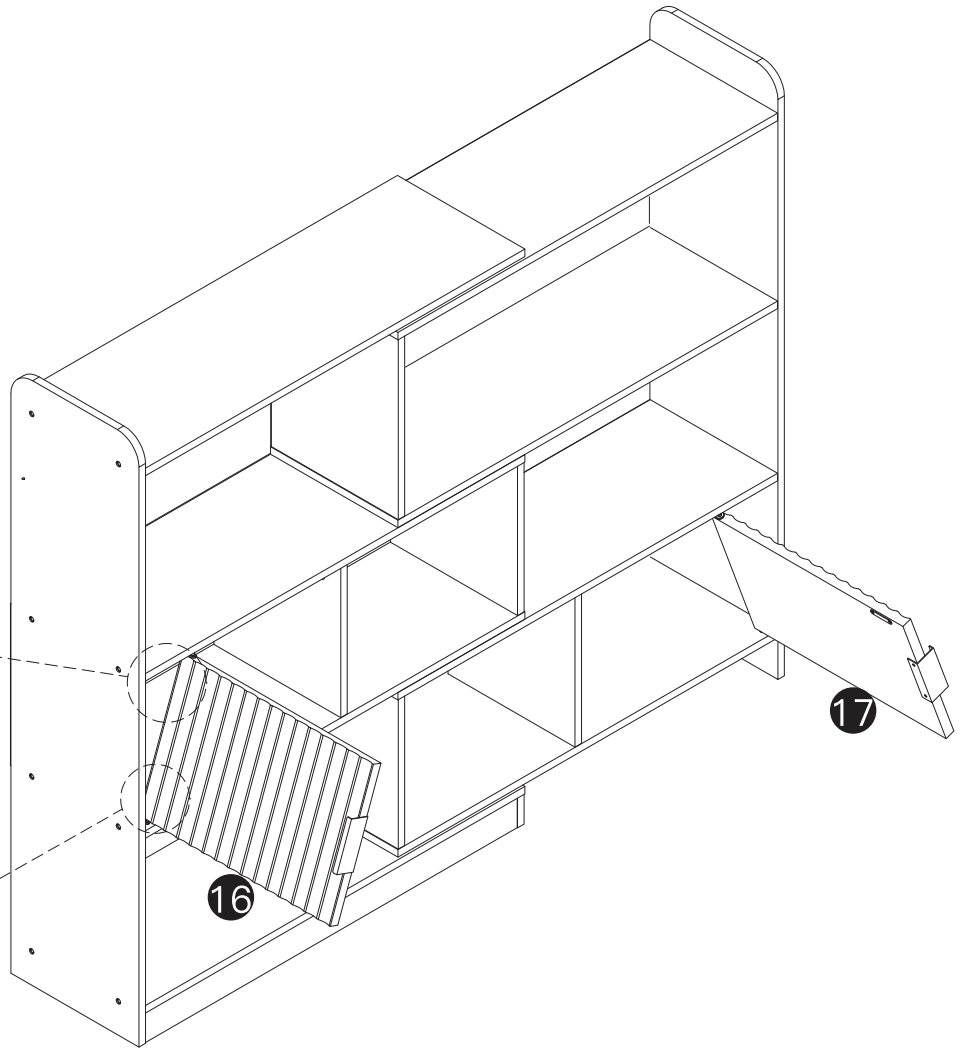
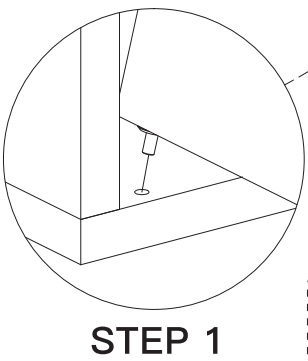
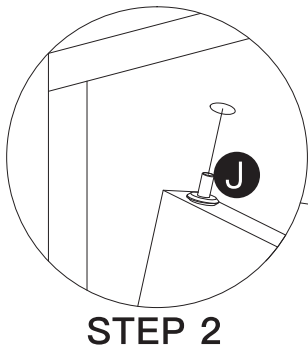


STEP 18



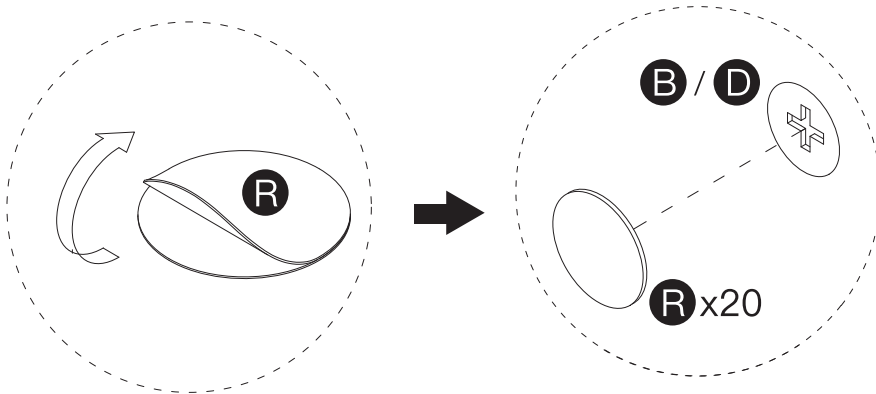
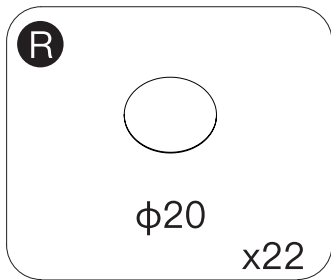
STEP 19

BACK
FRONT



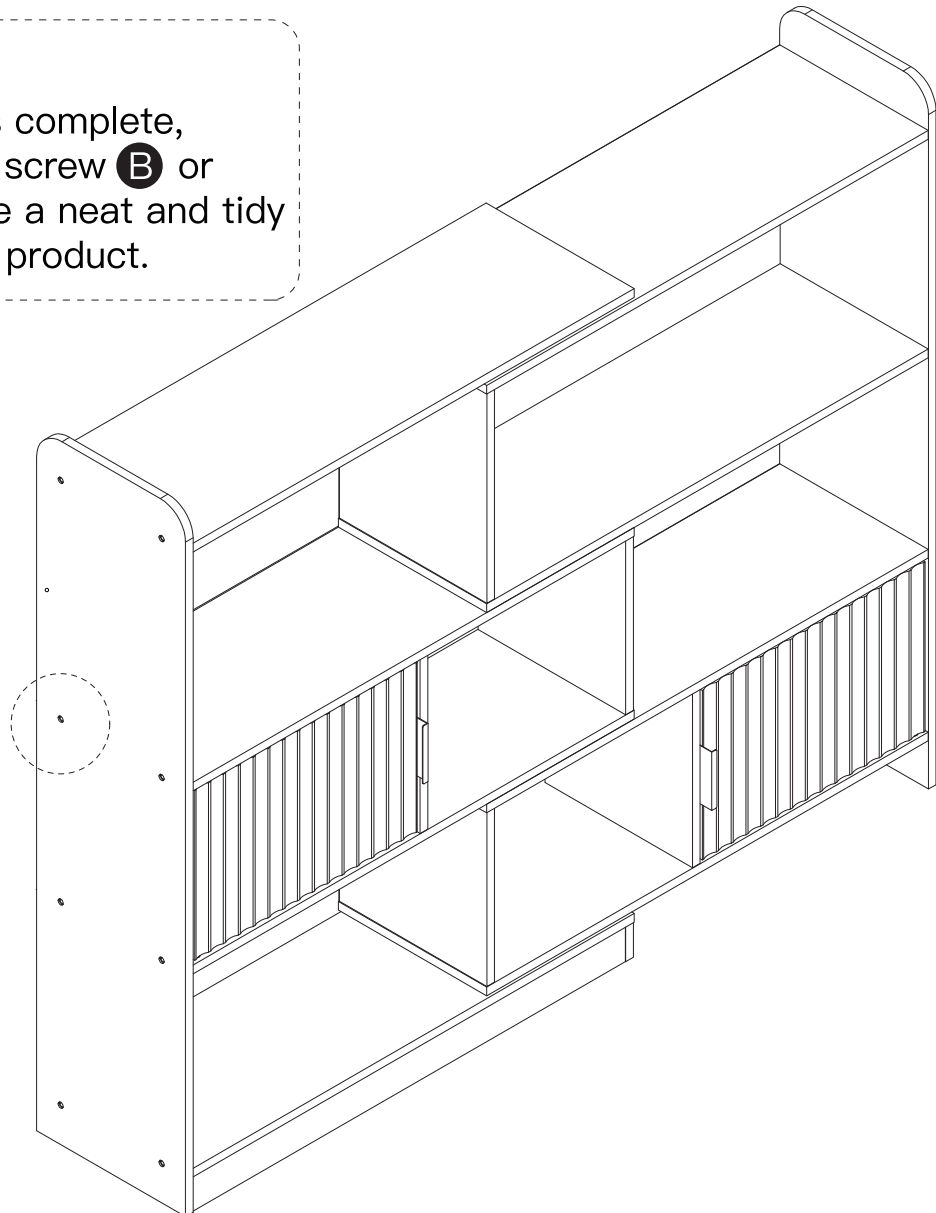
NOTICE:
For easier installation, please install the lower end first, then the upper end.

STEP 20



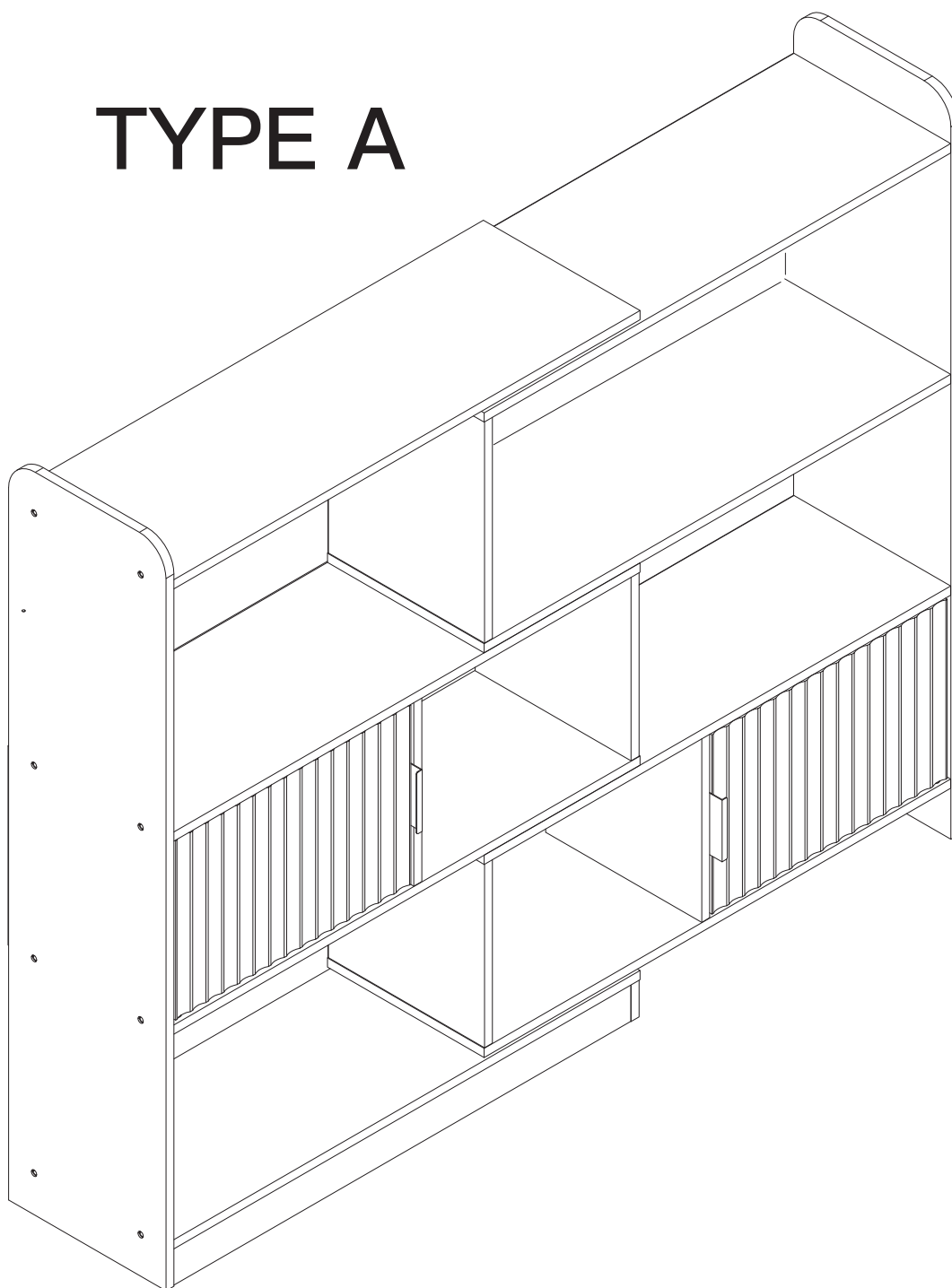
NOTICE:

After installation is complete, attach part **R** over screw **B** or screw **D** to ensure a neat and tidy appearance of the product.

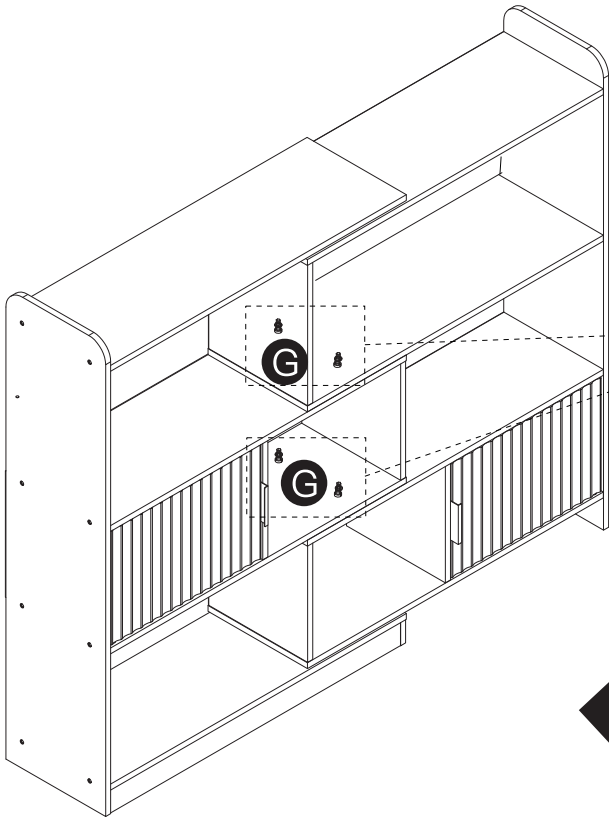


STEP 21

TYPE A



OR

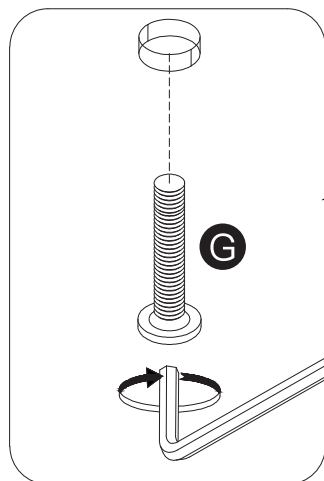


1: Remove the screw **G**

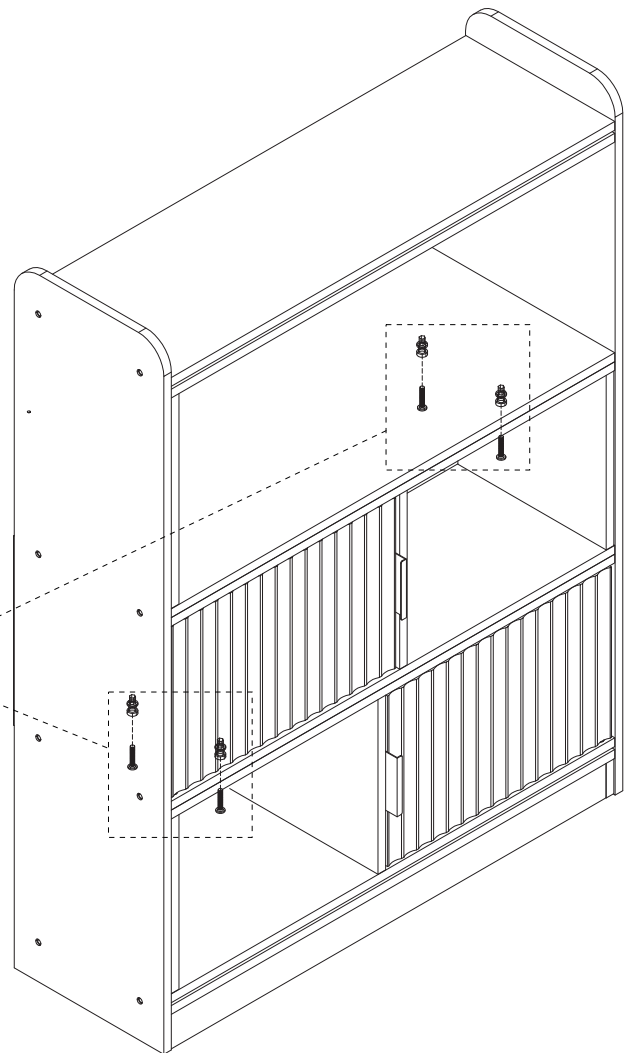
2: Push into the cabinet



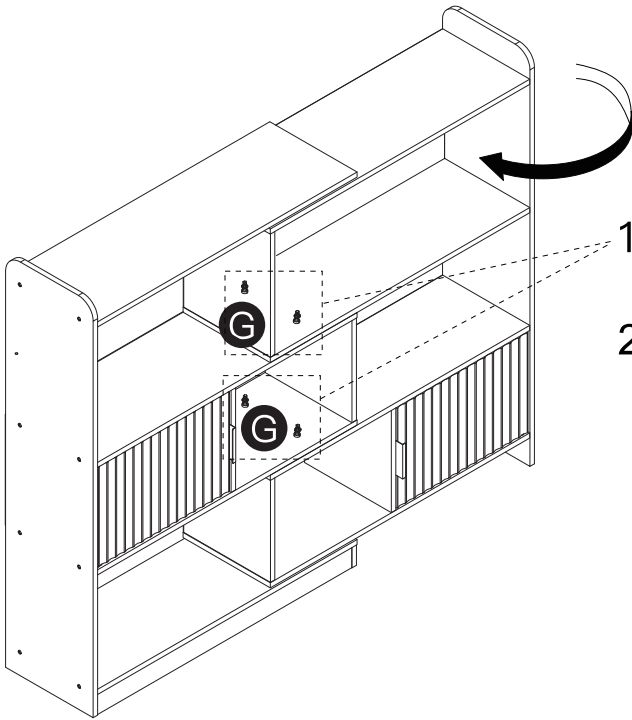
TYPE B



3. Tightening screw **G**

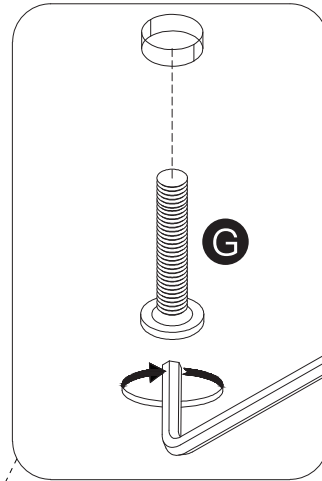


OR



1: Remove the screw **G**

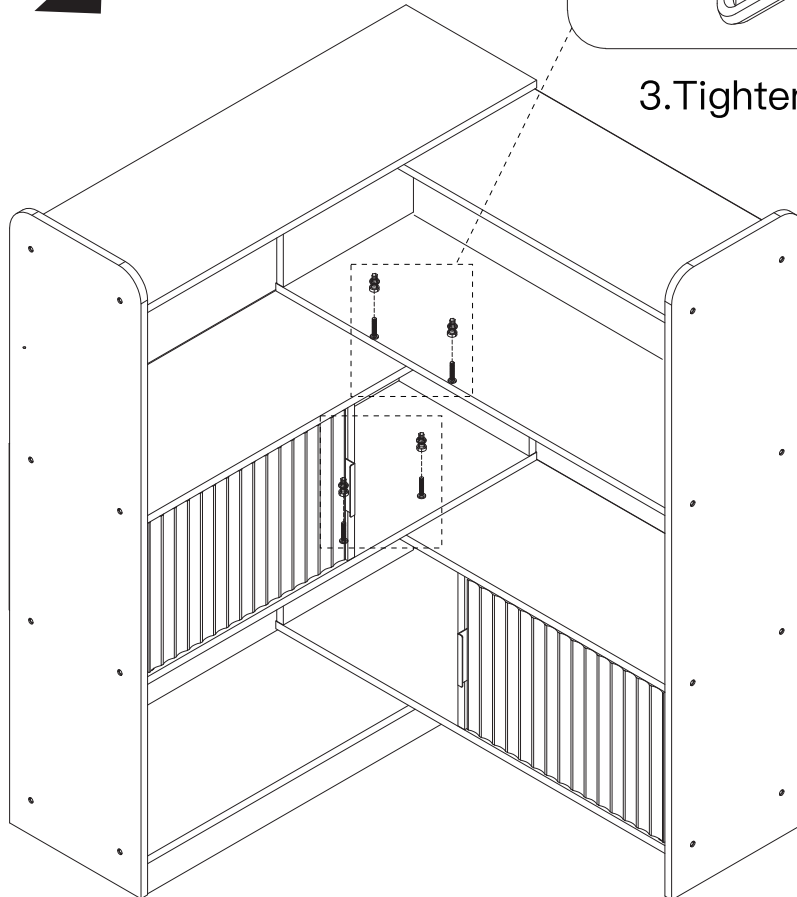
2: Rotating cabinet



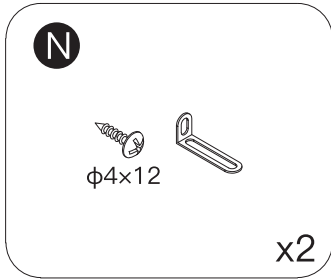
3. Tightening screw **G**



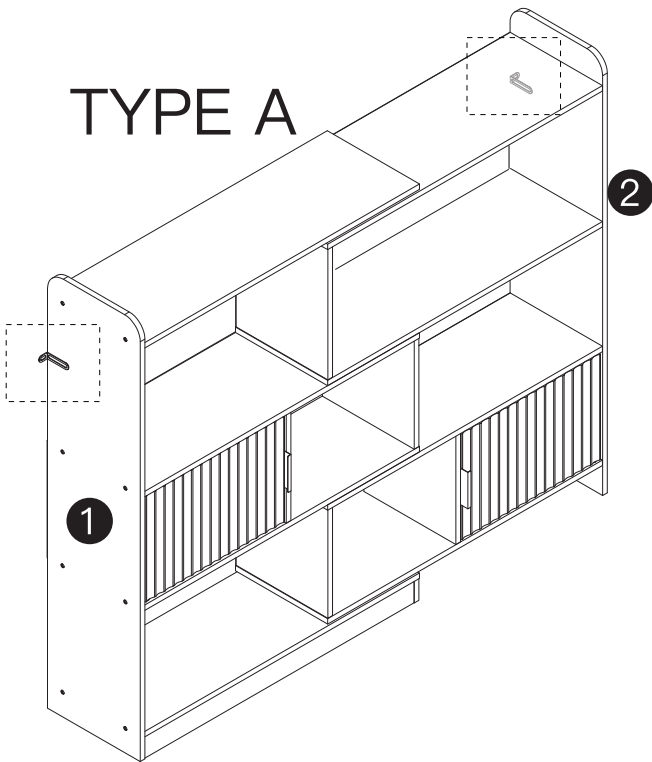
TYPE C



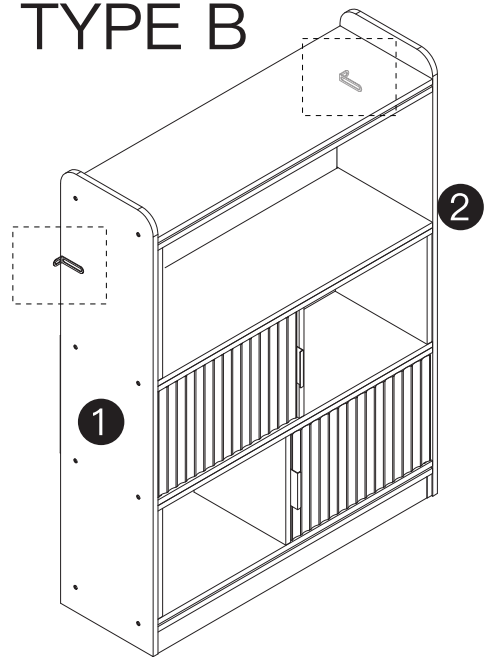
STEP 22



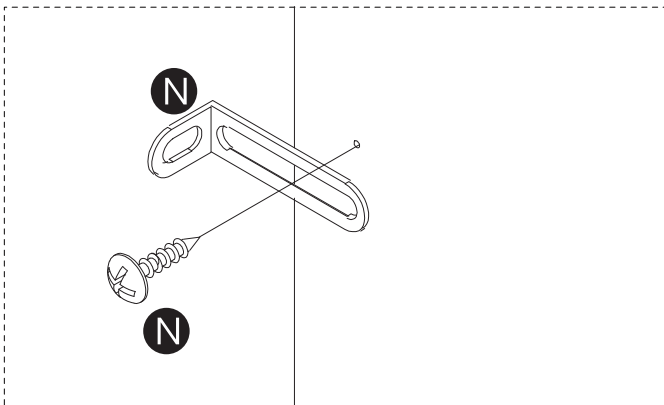
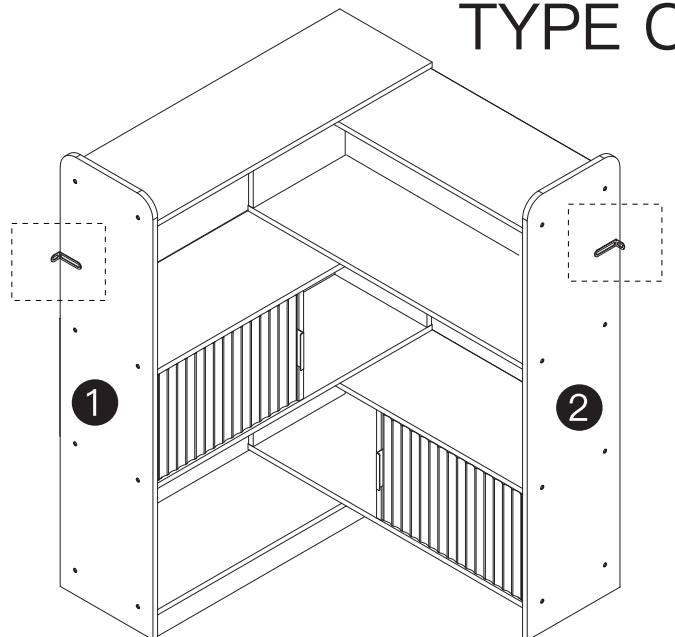
TYPE A



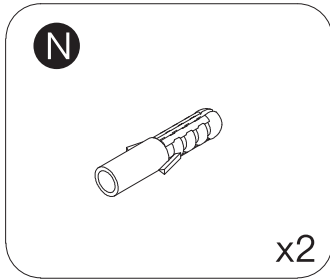
TYPE B



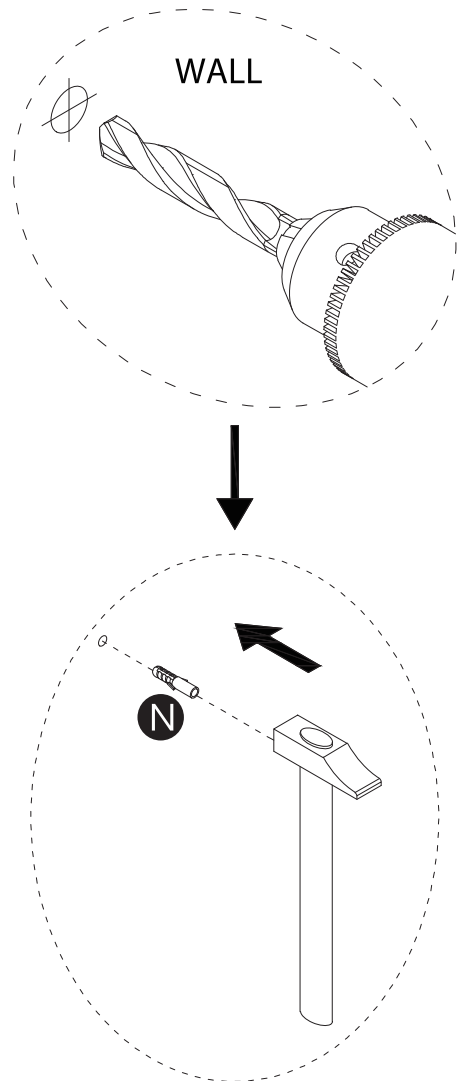
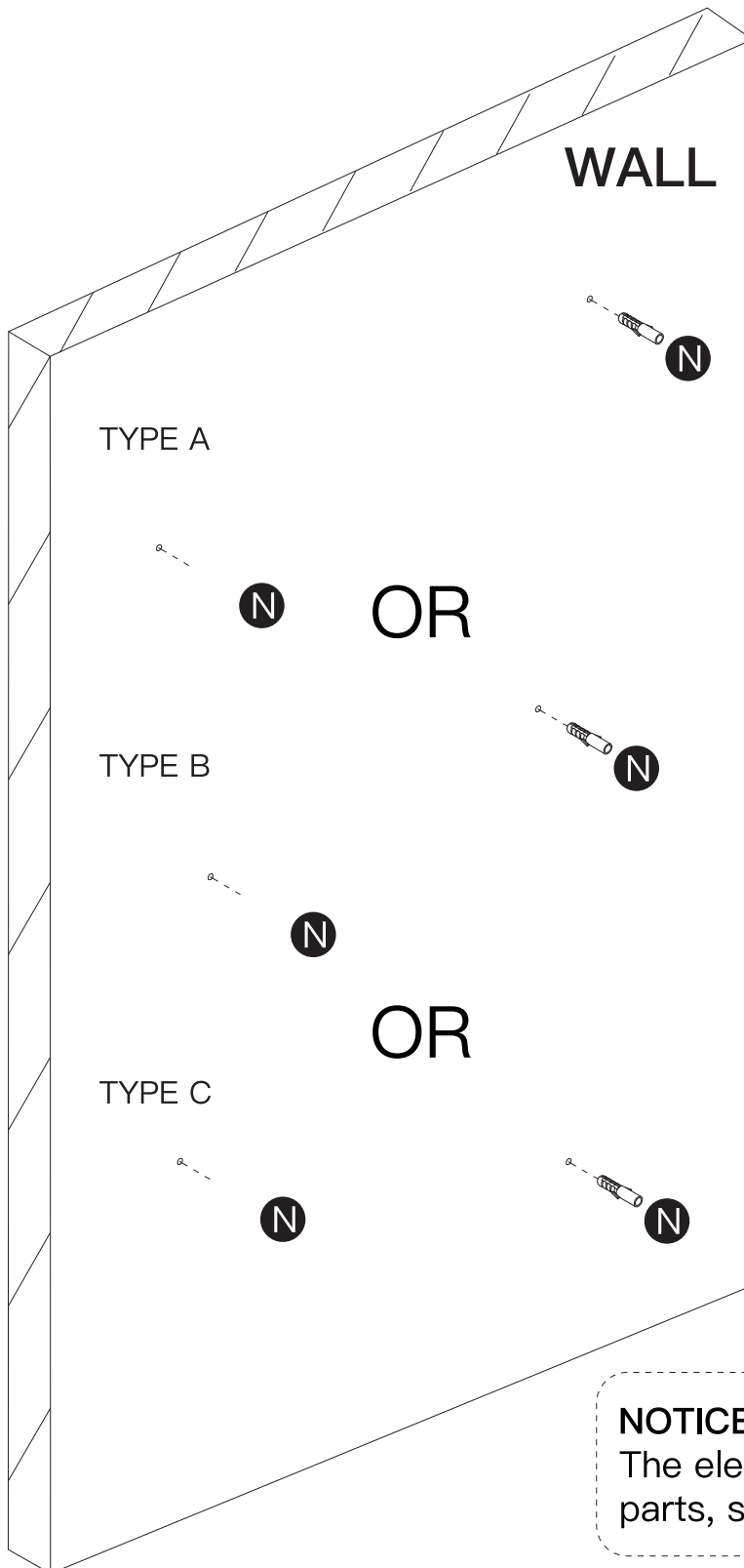
TYPE C



STEP 23



For the safety of you and your family, the **Anti-Tip Device Kit** must be installed.

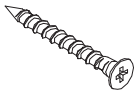


NOTICE:

The electric drill is not included in our parts, so please prepare it by yourself.

STEP 24

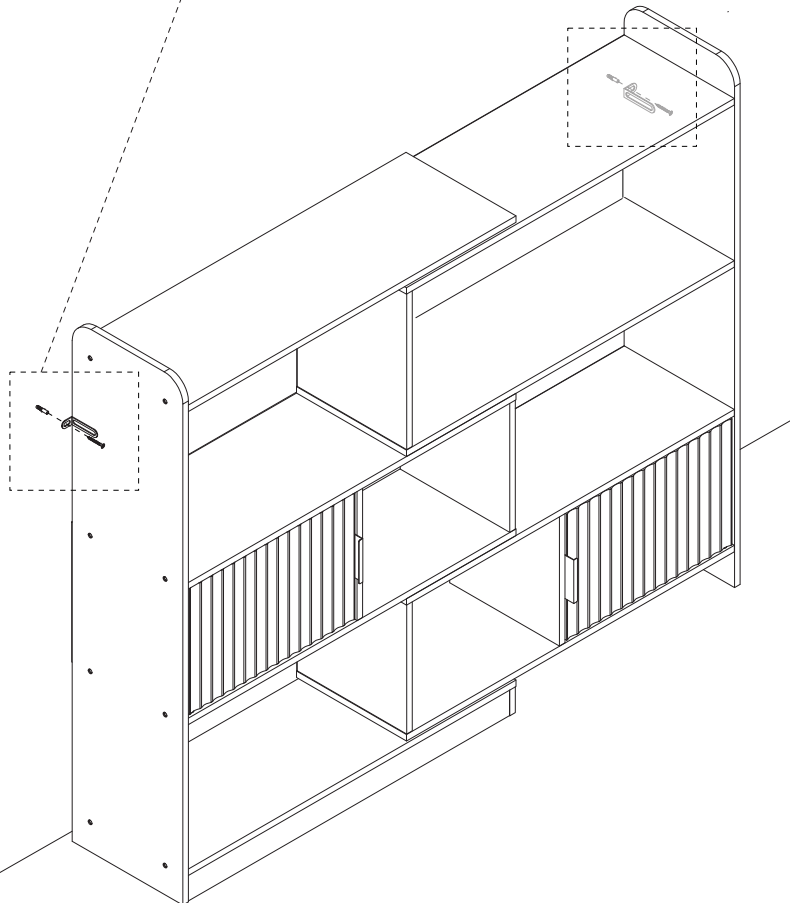
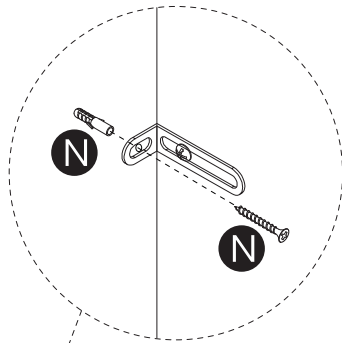
N



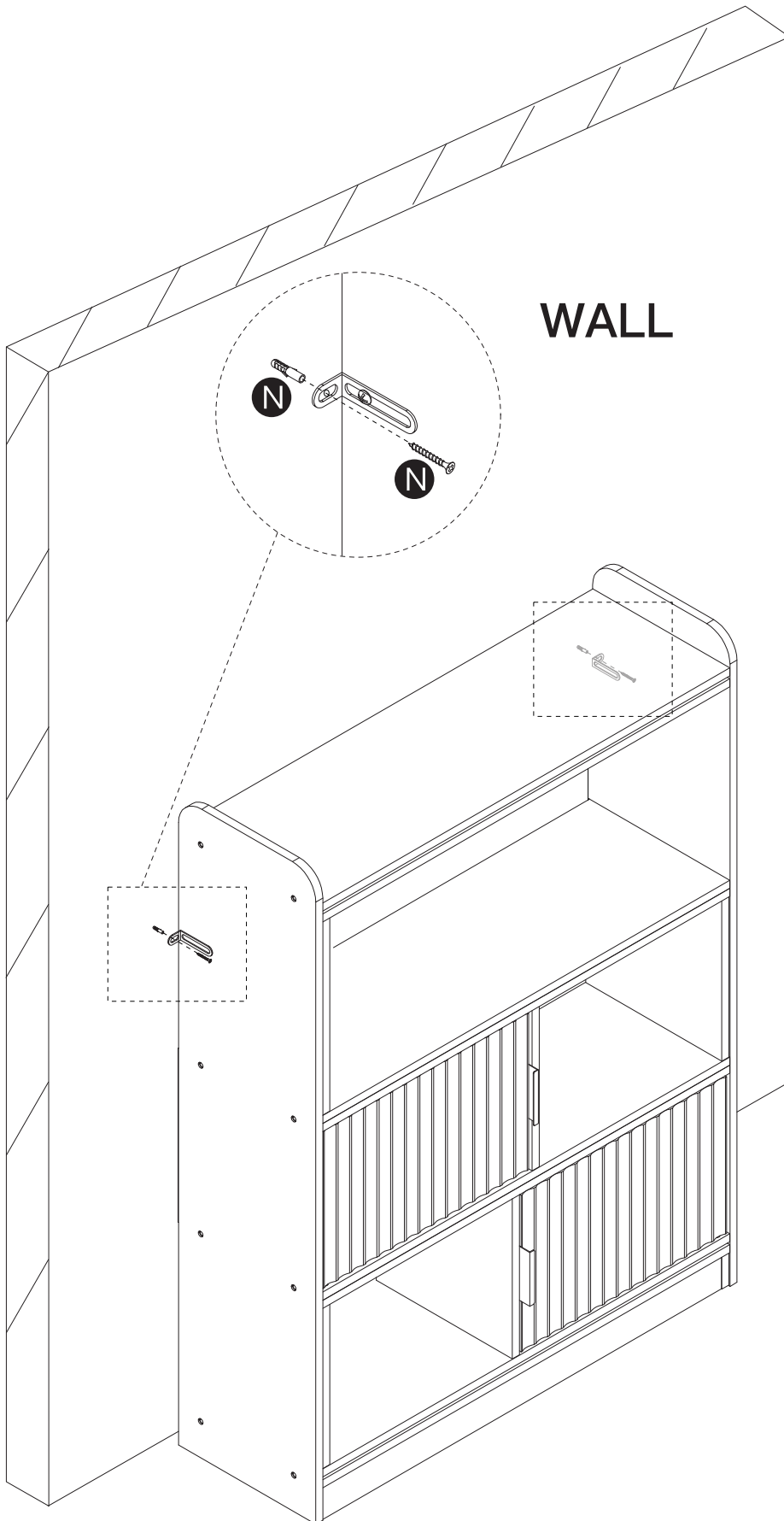
$\phi 4 \times 35$

x2

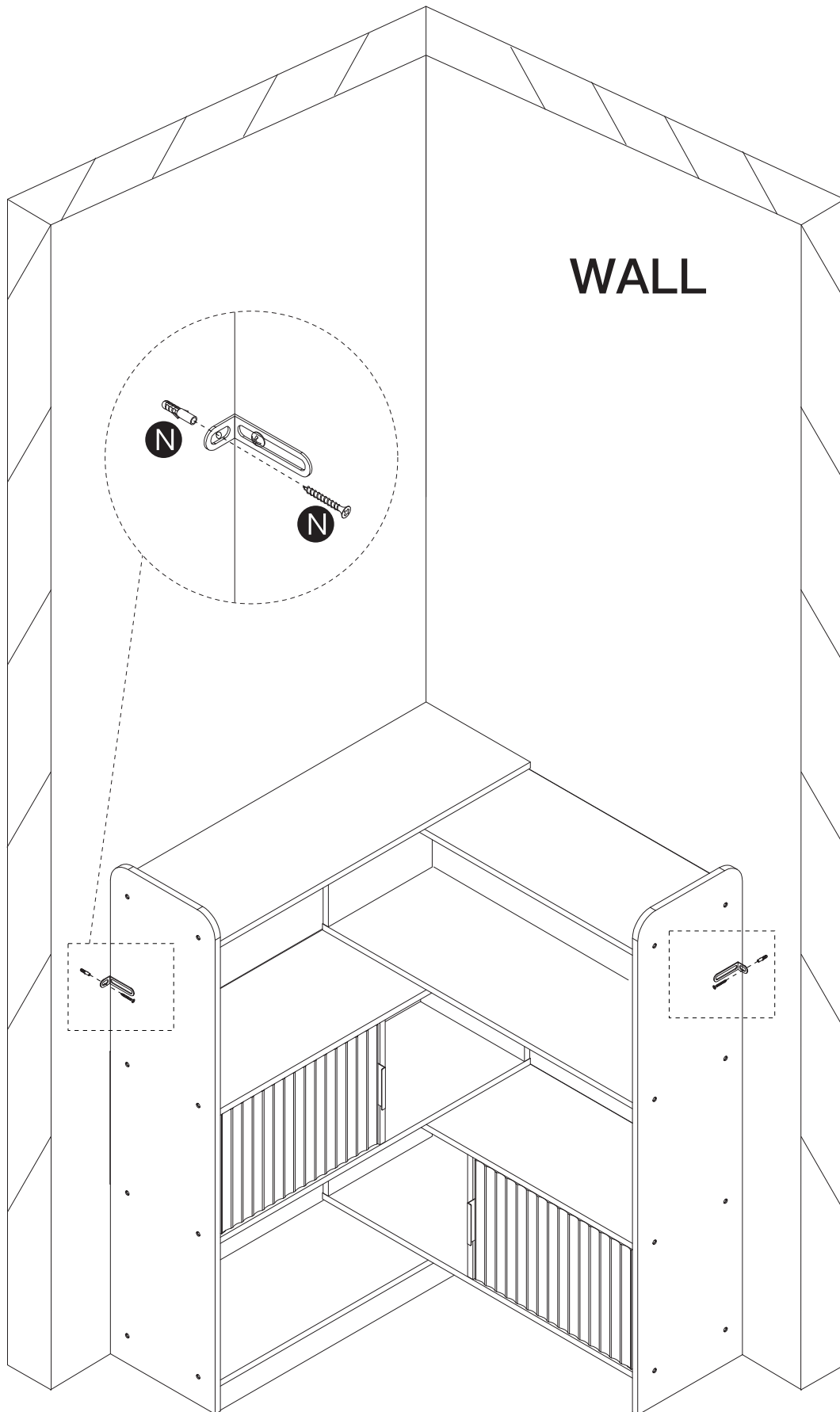
WALL



OR



OR



AFTERSALE SERVICE

Dear customer,

We are pleased that you have chosen our product as part of your home. We care deeply about your experience and hope that you receive all the help you need.

We sincerely hope this product meets your expectations and hope that you will consider us again in your future needs.

The packaging may exceed our control during transportation. If there are any issues with the box or contents, please contact us directly. We will provide you with high-quality after-sales service. Please kindly wait for the response from our team.

Thank you once again for choosing us. Let's create wonderful memories and comfortable spaces together!

Kind regards,
Customer Care Team