

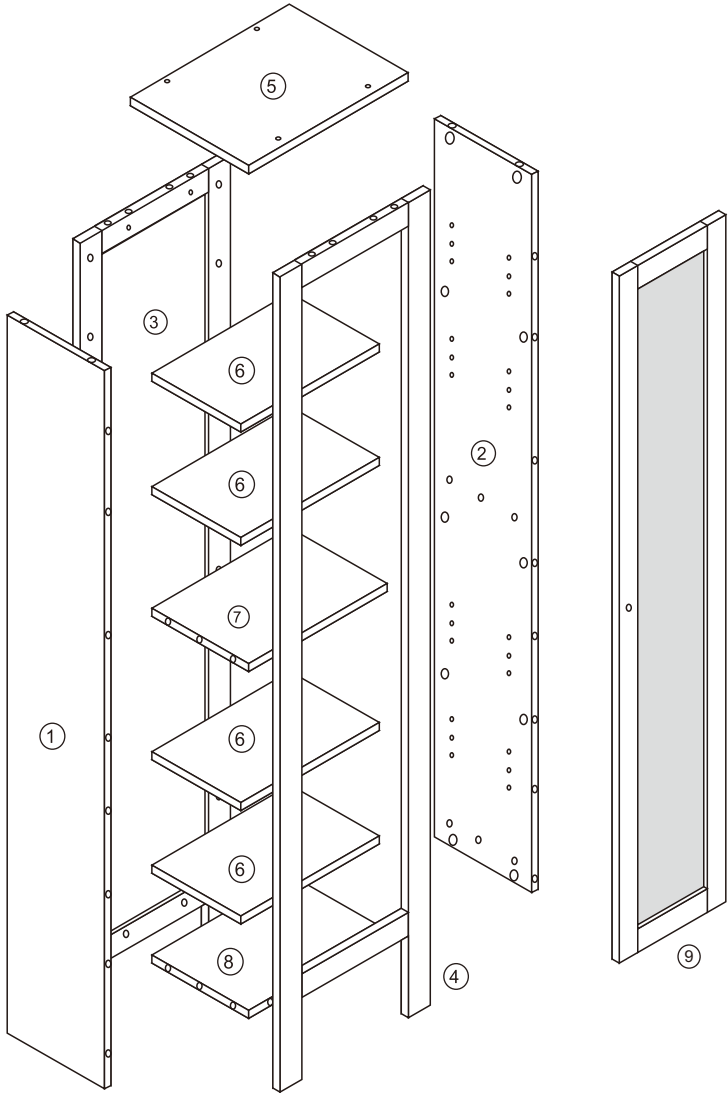




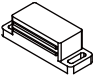


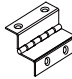
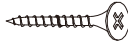

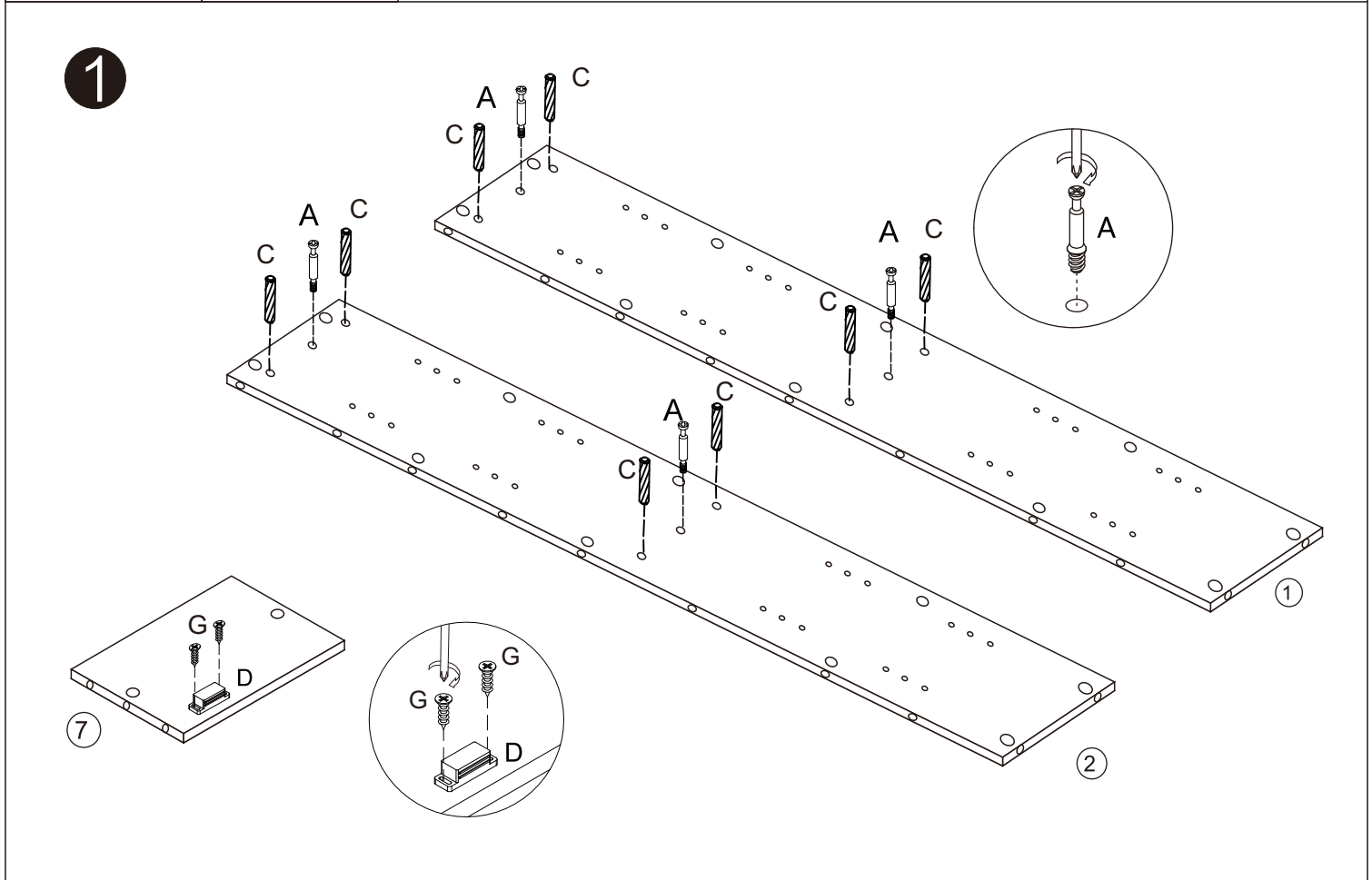
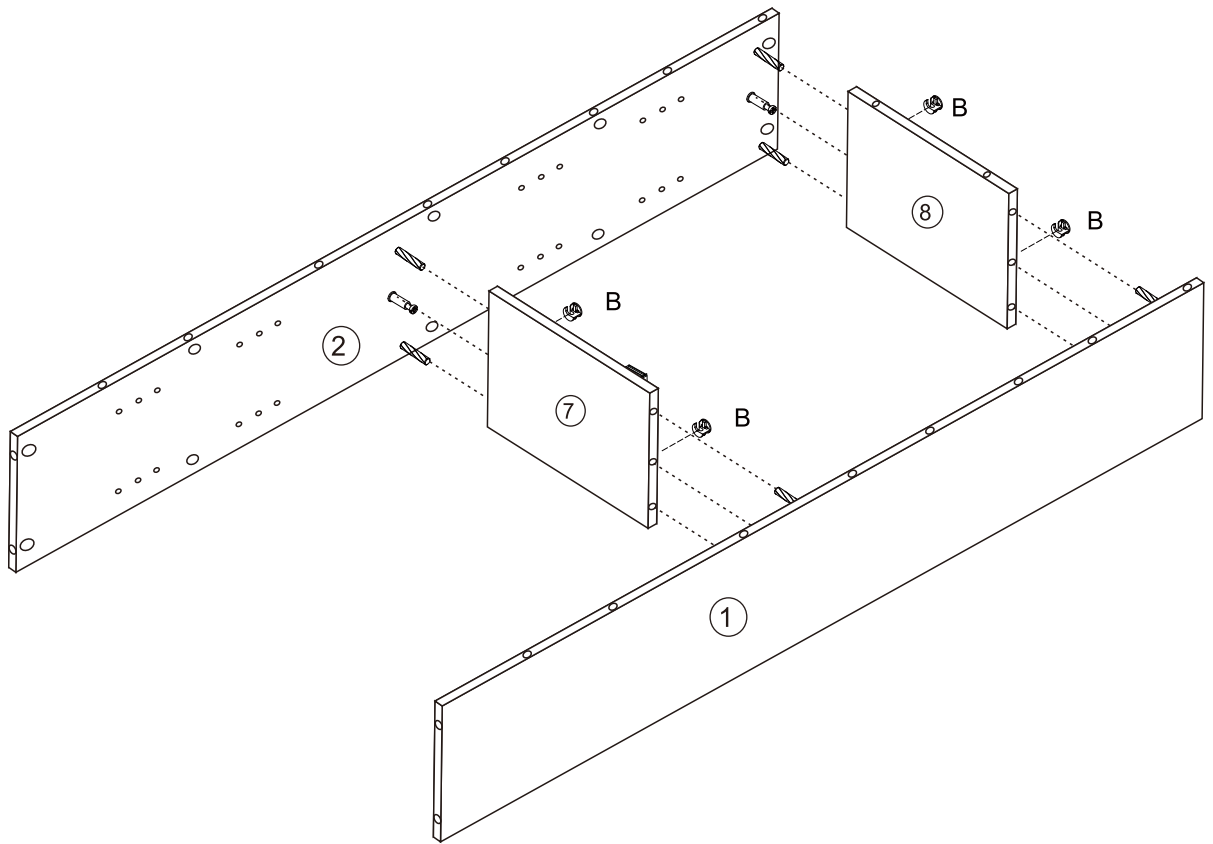
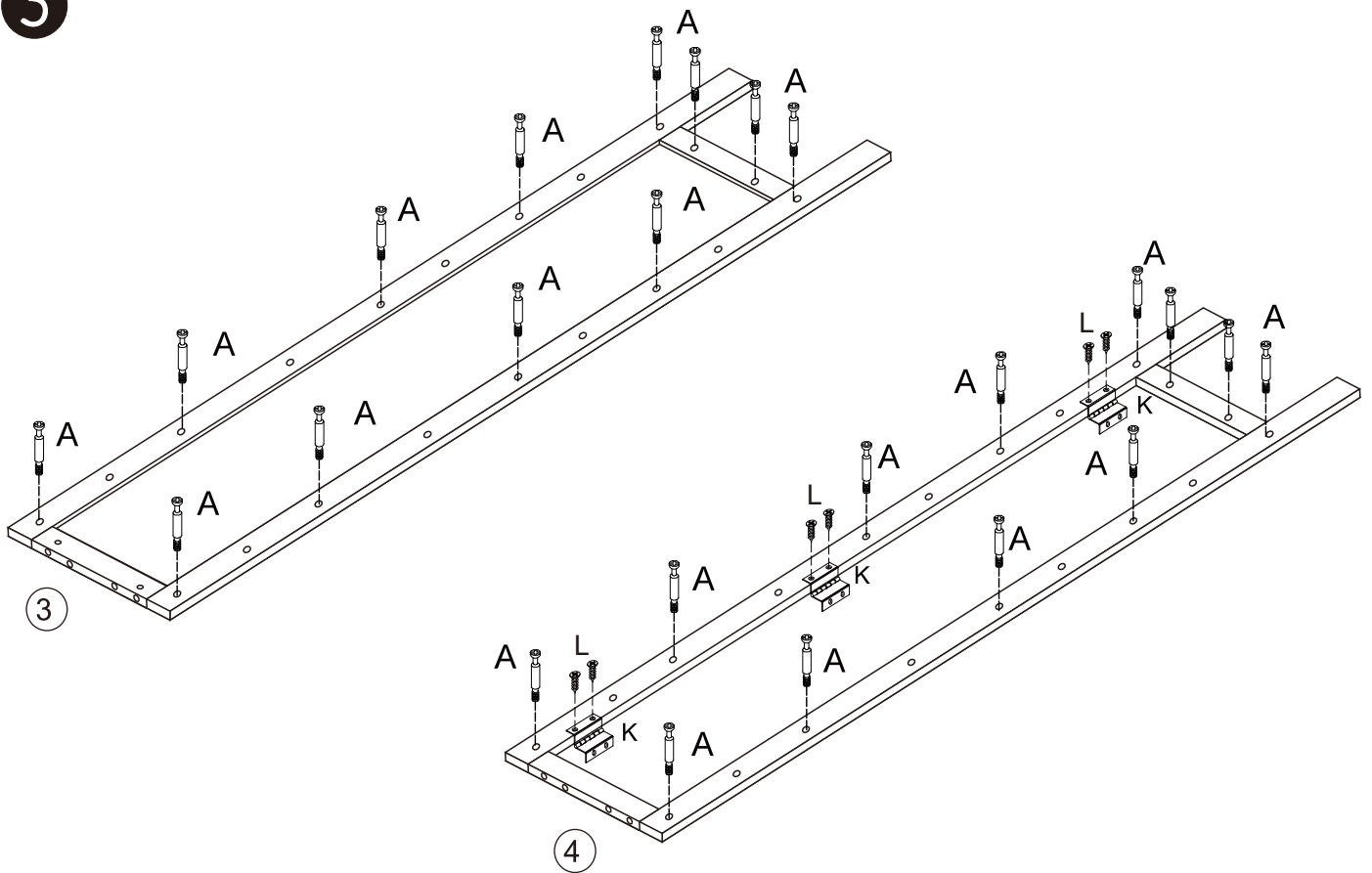
 Ax28	 Gx2	 Mx2	
 Bx28	 Hx1		
 Cx28	 Ix1		
 Dx1	 Jx16		
 Ex1	 Kx3		
 Fx6	 Lx13		



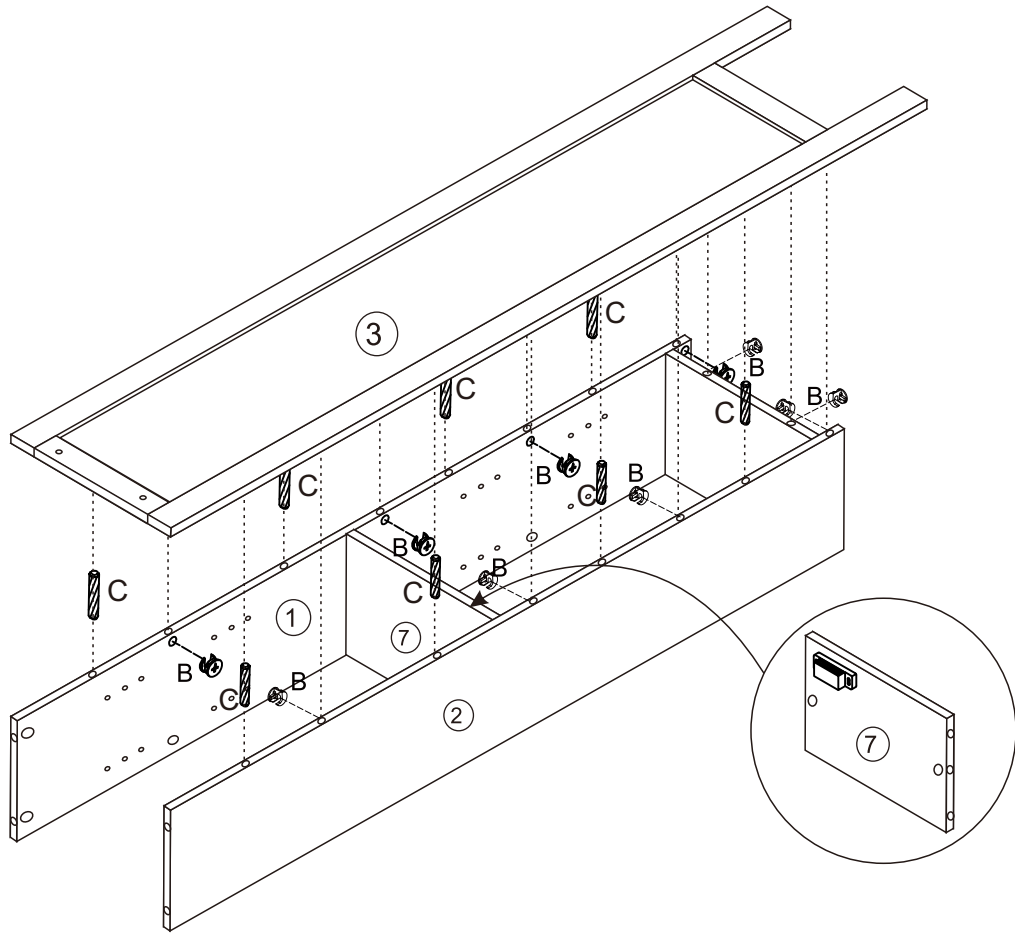
2



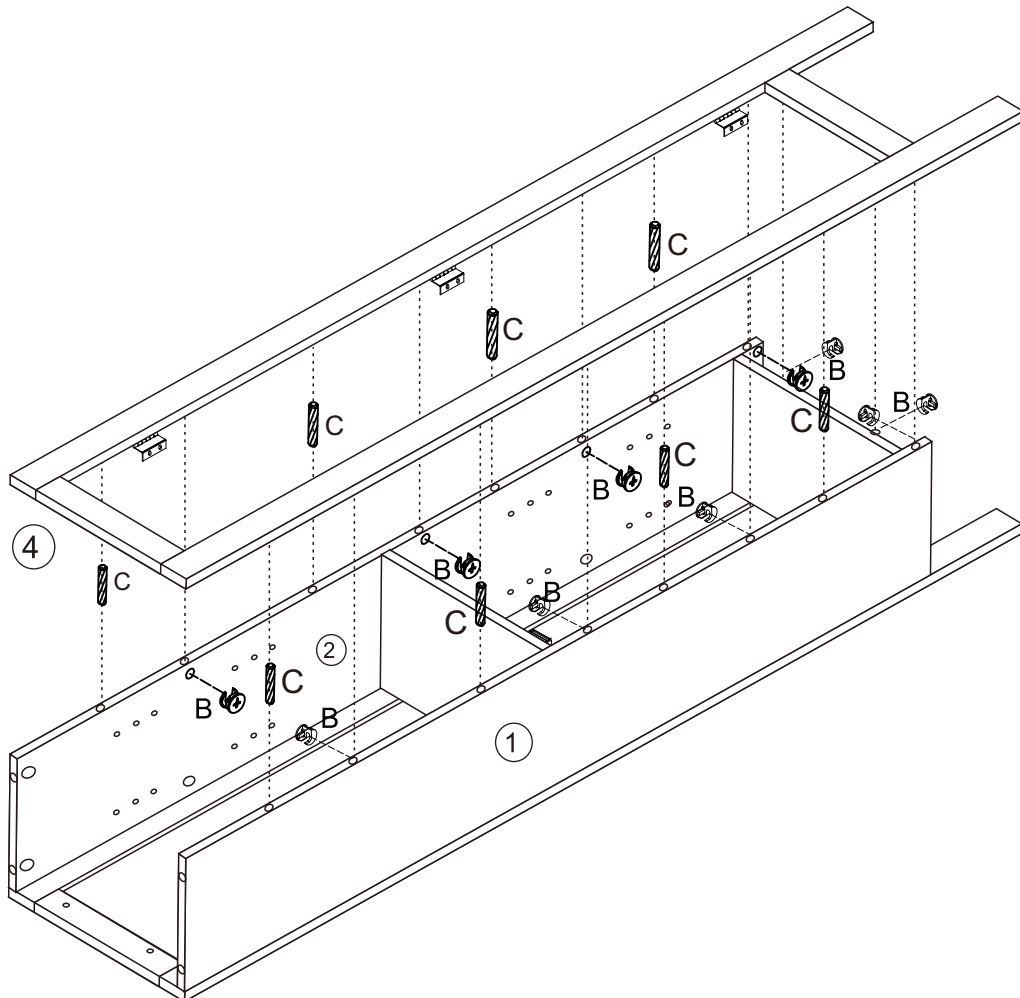
3



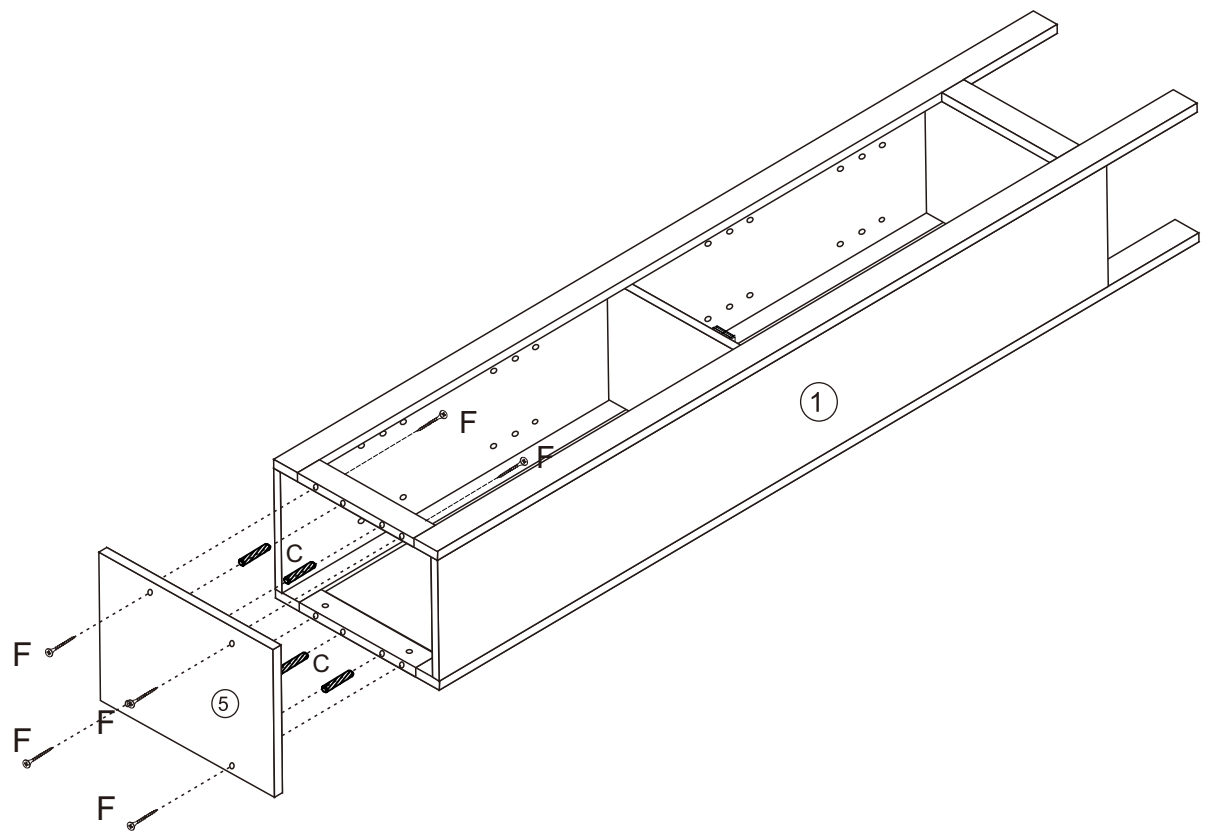
4



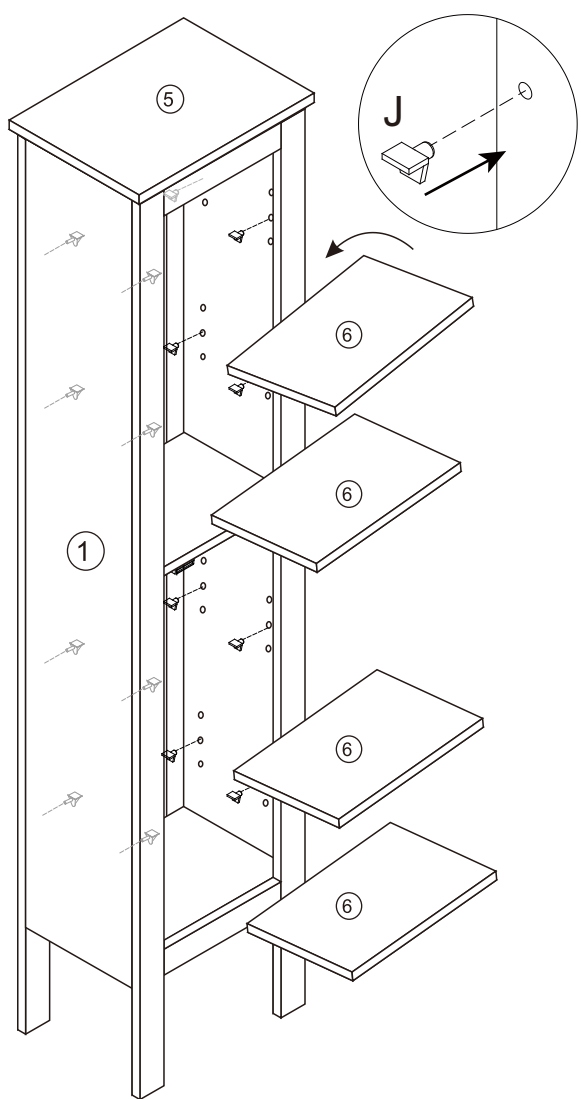
5



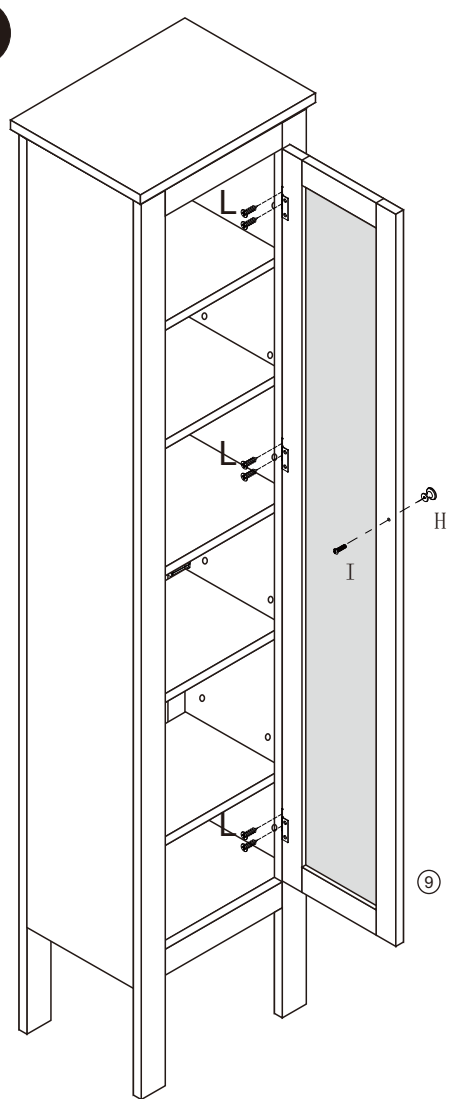
6



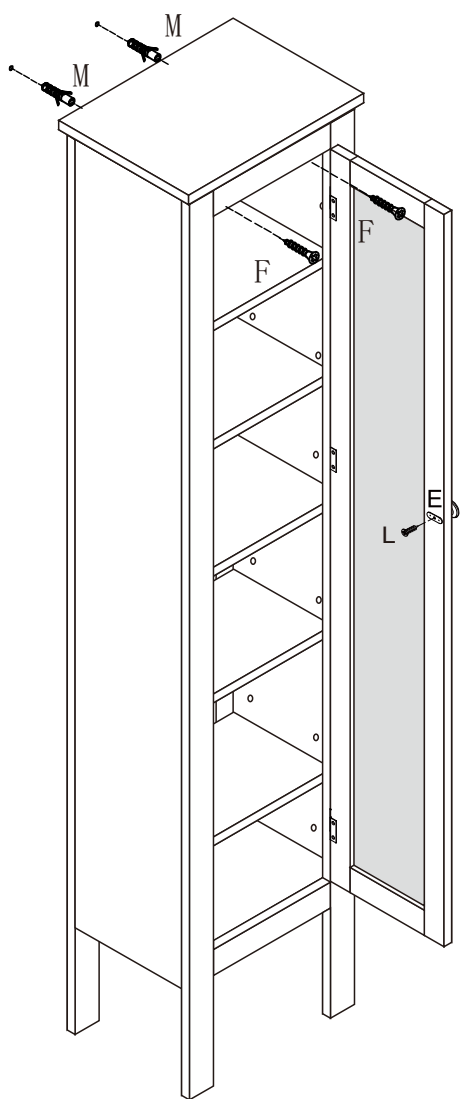
7



8



9



10

