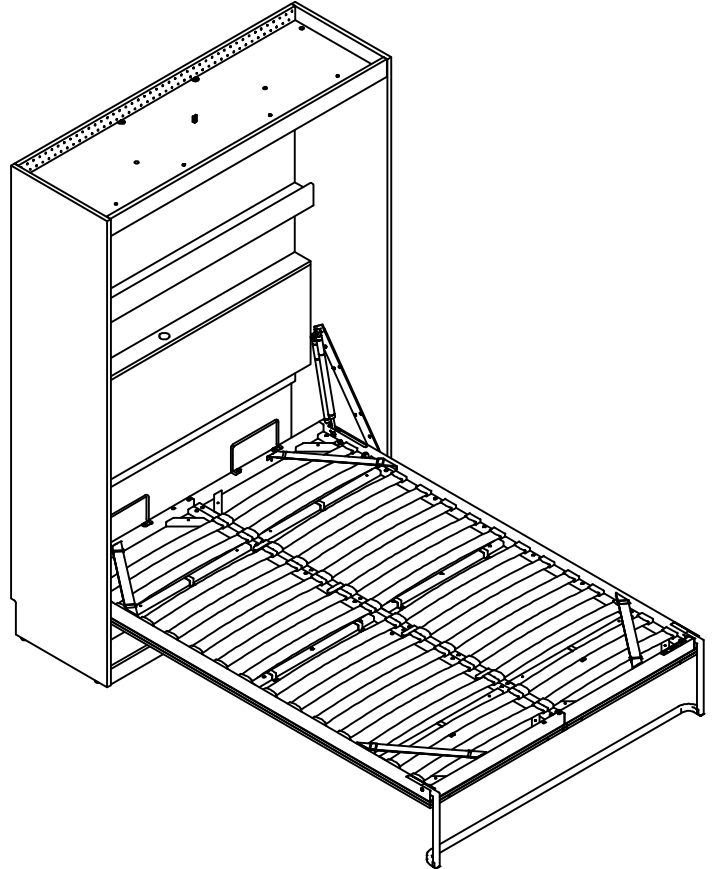
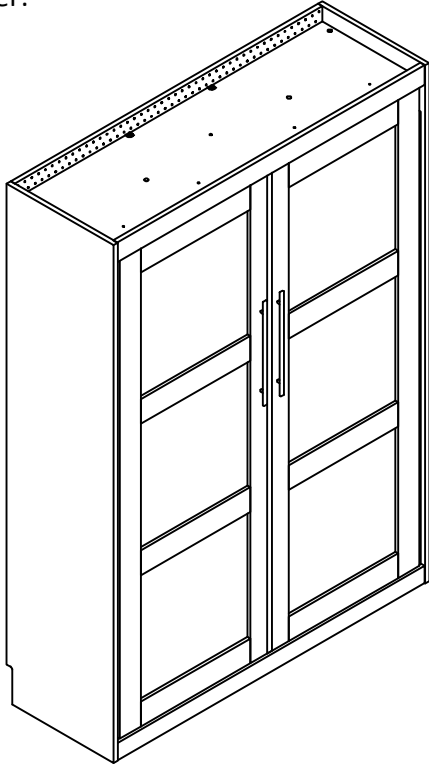


- 1000306COMS (Federal White)
- 1000348COMS (Reclaimed Oak)

Full Wall Bed

B34100000COMS0

Date of Purchase ___ / ___ / ___
Lot Number:



THIS INSTRUCTION BOOKLET CONTAINS **WARNINGS** AND **PRODUCT SAFETY** INFORMATION. DO NOT PROCEED WITHOUT REVIEWING THOROUGHLY. FOR ANY QUESTIONS, CONTACT CUSTOMER SERVICE.

Do Not Return This Product!

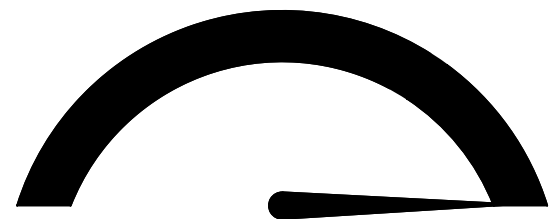
Contact our customer service team for help first.

Call: 1-800-489-3351 (toll free)

Visit: www.dorelhome.com

to view the limited warranty valid
in the U.S. and Canada.

Difficulty Meter



Easy

Professional
(see page 2)

Part 1 - Installation

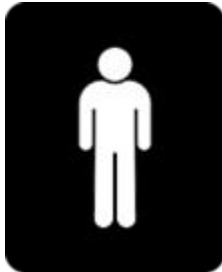
⚠️ WARNING

PROFESSIONAL INSTALLATION IS REQUIRED

This product can detach from the wall and cause severe injury and death if not properly attached. **Professional installation is required.**



+



- Installation steps will require the use of one professional and one other person to assist.
- The second person must be able to lift wall bed components and hold them in position while the professional installs hardware.
- Professional must have experience installing kitchen cabinetry or installing wall-mounted TVs in the type of wall present in the home (wood or metal stud, or concrete).
- Furniture installers and general handymen may not have the expertise required to correctly install the bed.
- Before engaging with or hiring someone to perform the installation, ensure you validate they have the above required experience. Should you need assistance locating a service, go to <https://helpcenter.ameriwoodhome.com/>

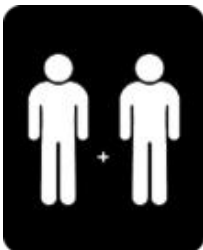
Part 2 - Assembly



+



OR



- Assembly steps require the use of two people who must be able to lift and secure bed pieces together with hardware:
- You may continue to use the Professional and a second person, or
- Use two people who have experience assembling ready to assemble furniture.

WARNING!

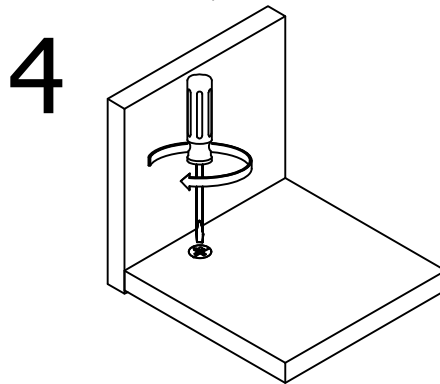
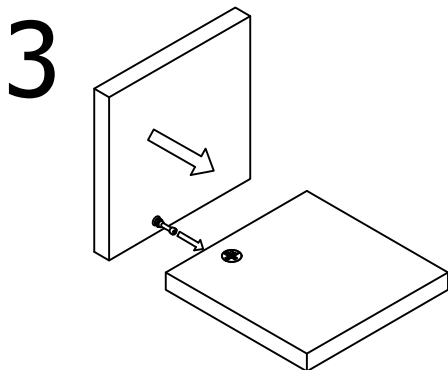
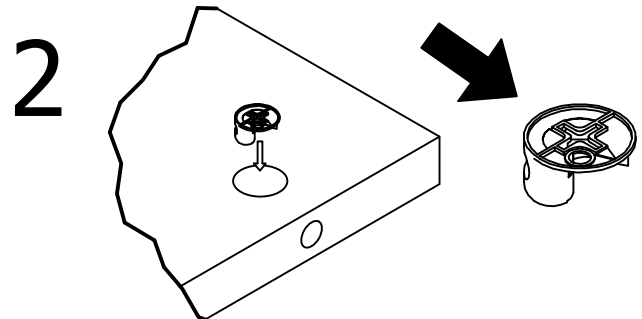
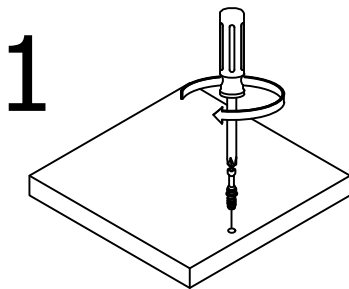
- Not intended to be used by children under the age of 6.
- To prevent injury and damage to this unit, PROHIBIT jumping and horseplay.
- This product is not intended to be moved, modified, uninstalled or disassembled once professionally installed.
- This product is designed for home use and not intended for commercial use.

Before You Start

- ✓ Read through each step carefully and follow the proper order.
- ✓ Separate and count all your parts and hardware before attempting assembly.
Parts are labeled on the surface or edge of the part
- ✓ Open your item in an area you plan to keep it. Give yourself enough room for the installation and assembly process.
- ✓ Make sure to always face the point on the top of the Cam Lock towards the outer edge.
- ✓ Never push, pull or drag your furniture. Do not use harsh chemicals or abrasive cleaners on this item.
- ✓ Have the following tools: #2 Phillips Head Screwdriver, Hammer, Level, Stud Finder, Pencil, Step Ladder, Rubber Mallet and a Drill with 1/8" and 1/4" bits
- ✓ **Caution:** If using a power drill or power screwdriver for screwing, please be aware to slow down and stop when screw is tight. Reduce torque setting to a lower level so the drill will skip when the screw is tight. Failure to do so may result in stripping the screw.

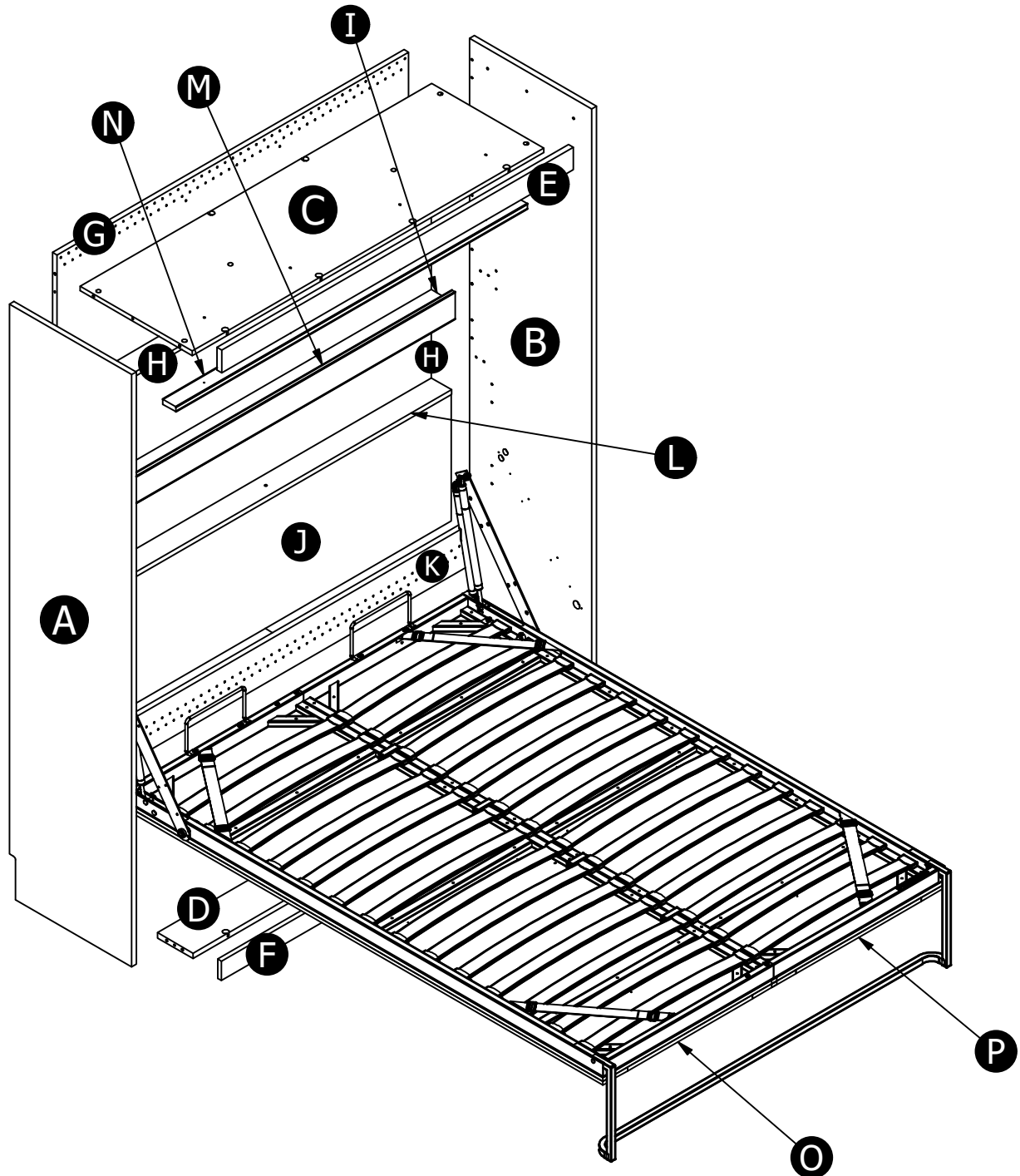
Cam Lock Fastening System

This Cam Lock Fastening System will be used throughout the installation and assembly process.



Board Identification

Not actual size



Board Identification

parts for 1000306COMS (Federal White)

parts for 1000348COMS (Reclaimed Oak)

Parts List				Parts List			
ITEM	QTY	PART NUMBER	DESCRIPTION	ITEM	QTY	PART NUMBER	DESCRIPTION
A	1	31000306010	LEFT PANEL	A	1	31000348010	LEFT PANEL
B	1	31000306020	RIGHT PANEL	B	1	31000348020	RIGHT PANEL
C	1	31000306030	TOP	C	1	31000348030	TOP
D	1	31000306040	BOTTOM	D	1	31000348040	BOTTOM
E	1	31000306050	VALANCE	E	1	31000348050	VALANCE
F	1	31000306060	KICK	F	1	31000348060	KICK
G	1	31000306071	UPPER BACK PANEL	G	1	31000348071	UPPER BACK PANEL
H	2	31000306080	CENTER BACK PANEL	H	2	31000348080	CENTER BACK PANEL
I	1	31000306090	UPPER SHELF	I	1	31000348090	UPPER SHELF
J	1	31000306100	HEADBOARD PANEL	J	1	31000348100	HEADBOARD PANEL
K	1	31000306111	BOTTOM STRINGER	K	1	31000348111	BOTTOM STRINGER
L	1	31000306120	LOWER SHELF	L	1	31000348120	LOWER SHELF
M	1	31000306130	SHELF RAIL	M	1	31000348130	SHELF RAIL
N	1	31000306140	STOP RAIL	N	1	31000348140	STOP RAIL
O	1	31000306150	LEFT DOOR ASM	O	1	31000348150	LEFT DOOR ASM
P	1	31000306160	RIGHT DOOR ASM	P	1	31000348160	RIGHT DOOR ASM

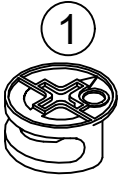
WARNING!

CHOKING HAZARD - Hardware bag contains small parts. Keep out of reach of children.

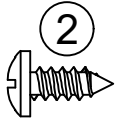
Part List

Note that your unit may contain extra hardware

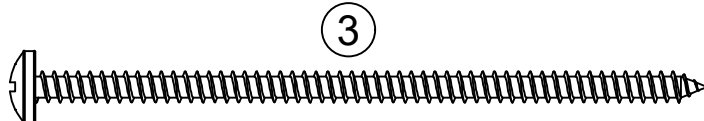
Actual Size



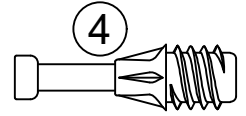
(x30)
#A22620
cam lock



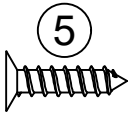
(x16)
#A12105
#8 x 7/16" pan head



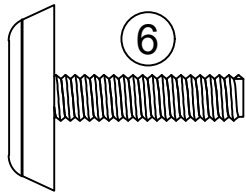
(x8)
#A13950
#8 x 3-1/2" pan head



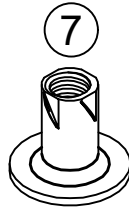
(x30)
#A22610
cam bolt



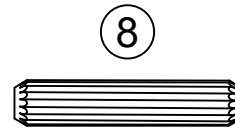
(x16)
#A12400
#8 x 5/8" flat head



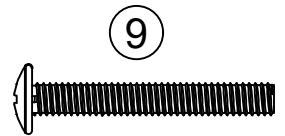
(x4)
#A43020
glide



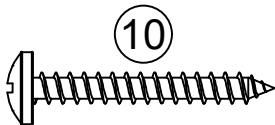
(x4)
#A20330
nut



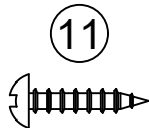
(x30)
#A21660
wood dowel



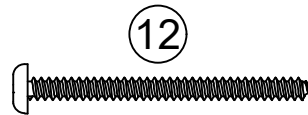
(x4)
#A17630
8-32 x 1-1/4" bolt



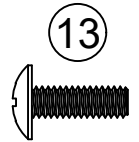
(x36)
#A13020
#8 x 1-1/4" pan head



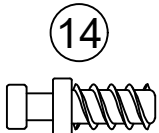
(x2)
#A11170
#6 x 5/8" pan head



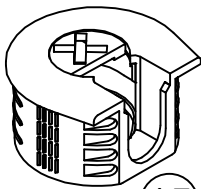
(x2)
#A11800
#6 x 1-1/2" pan



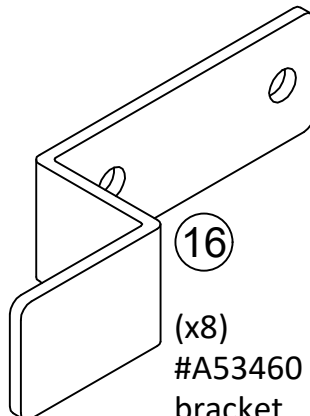
(x1)
#A17200
1/2" truss



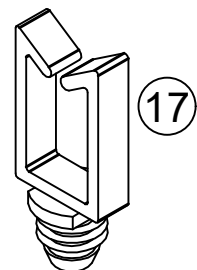
(x16)
#A22910
connector bolt



(x16)
#A22920
connector



(x8)
#A53460
bracket



(x1)
#A81090
wire saddle

WARNING!

CHOKING HAZARD - Hardware bag contains small parts. Keep out of reach of children.

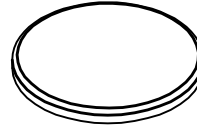
Part List

Not Actual Size

21

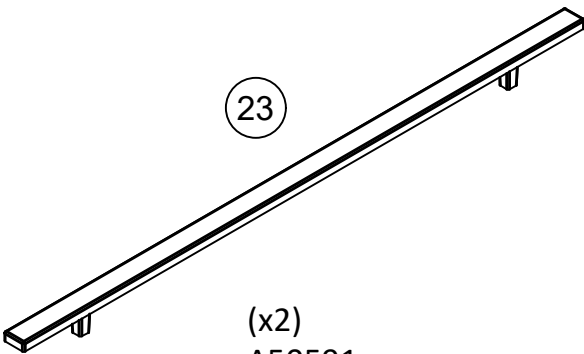
shown on page 36
(x1)
A99570
dual LED light kit

22



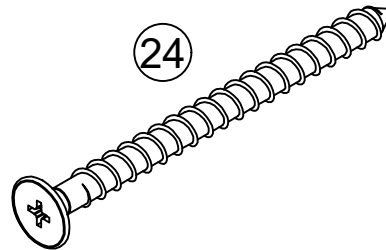
(x1)
A81340
touch sensor disk

23



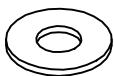
(x2)
A50591
handle

24



(x8)
#A15560
#3/16 x 3-1/4" flat head

25

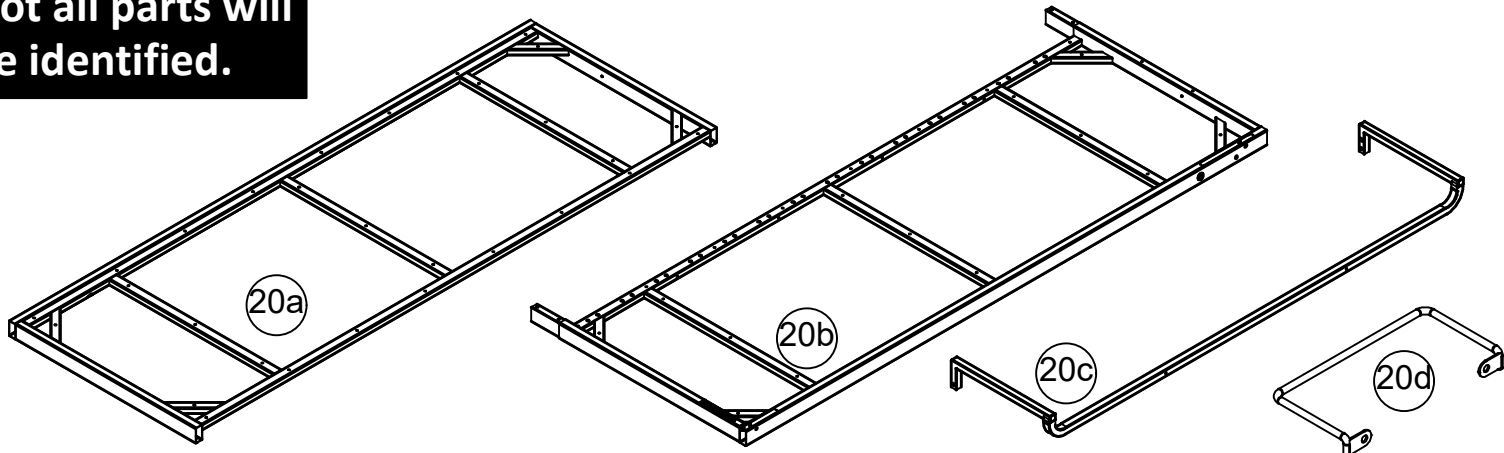


(x8)
#A25400
washer

Bed Frame Identification

Not Actual Size

Note:
Not all parts will
be identified.

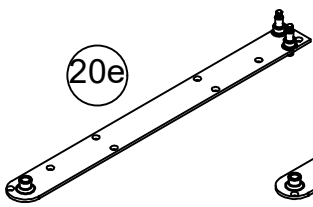


Left Assembly
3678096-20a

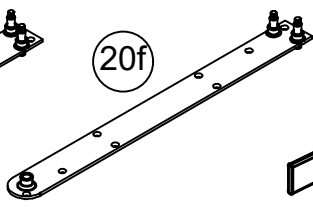
Right Assembly
3678096-20b

Leg
3678096-20c

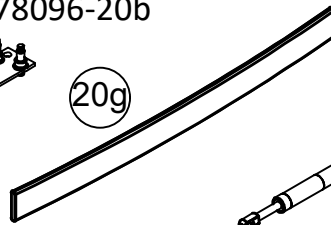
Mattress Holder (2)
3678096-20d



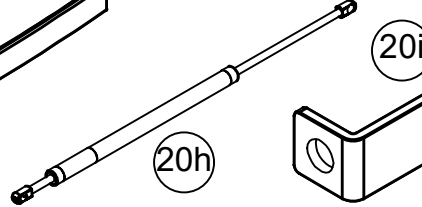
Left Pivot Arm
3678096-20e



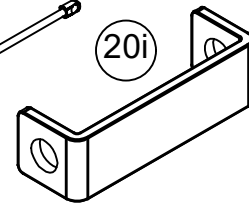
Right Pivot Arm
3678096-20f



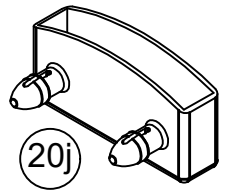
Wood Slat (28)
3678096-20g



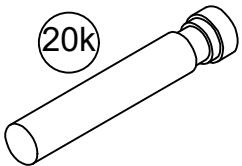
Gas Piston (4)
3678096-20h



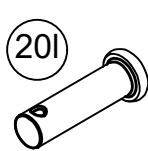
U-Bracket (4)
3678096-20i



Plastic Cap (56)
3678096-20j



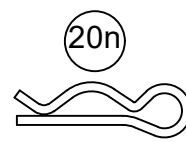
Pivot Pin (2)
3678096-20k



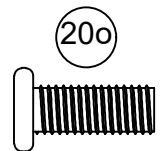
Large Clevis Pin (4)
3678096-20l



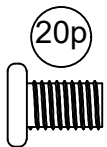
Small Clevis Pin (2)
3678096-20m



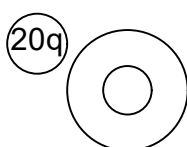
Cotter Pin (6)
3678096-20n



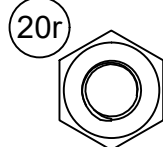
M6 x 16mm Bolt (12)
3678096-20o



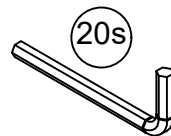
M6 x 10mm Bolt (6)
3678096-20p



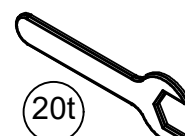
Washer (8)
3678096-20q



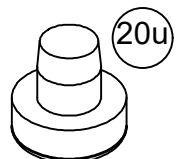
Hex Nut (4)
3678096-20r



4mm Hex Key
3678096-20s



Wrench
3678096-20t



Rubber Foot (2)
3678096-20u

Part 1 - Installation



Installation steps will require the use of one professional and one other person to assist. Installation steps will cover pages 10-52.



Professional is required for:

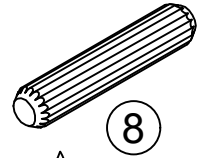
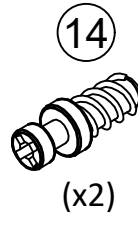
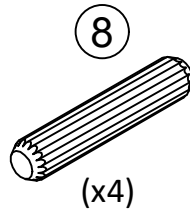
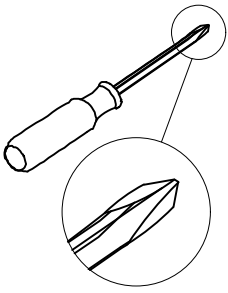
- all hardware fastening steps
- identifying wall structure and appropriate attachment hardware to use
- using selected hardware to attach the structure into the wall
- validating the structure is appropriately and securely attached



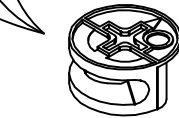
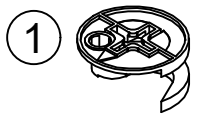
2nd Individual is needed for:

- lifting wall bed components and hold them in position while the professional installs

STEP 1



Proper orientation
of Cam Lock

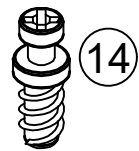
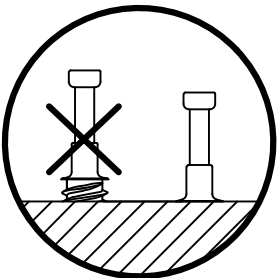


Proper orientation
of Cam Lock

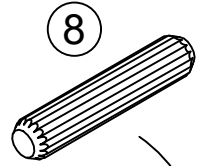
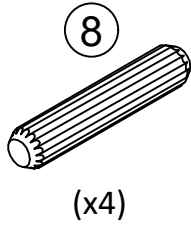
G

FLIP

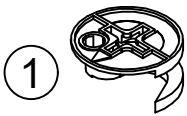
G



STEP 2



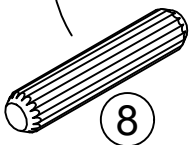
Proper orientation
of Cam Lock



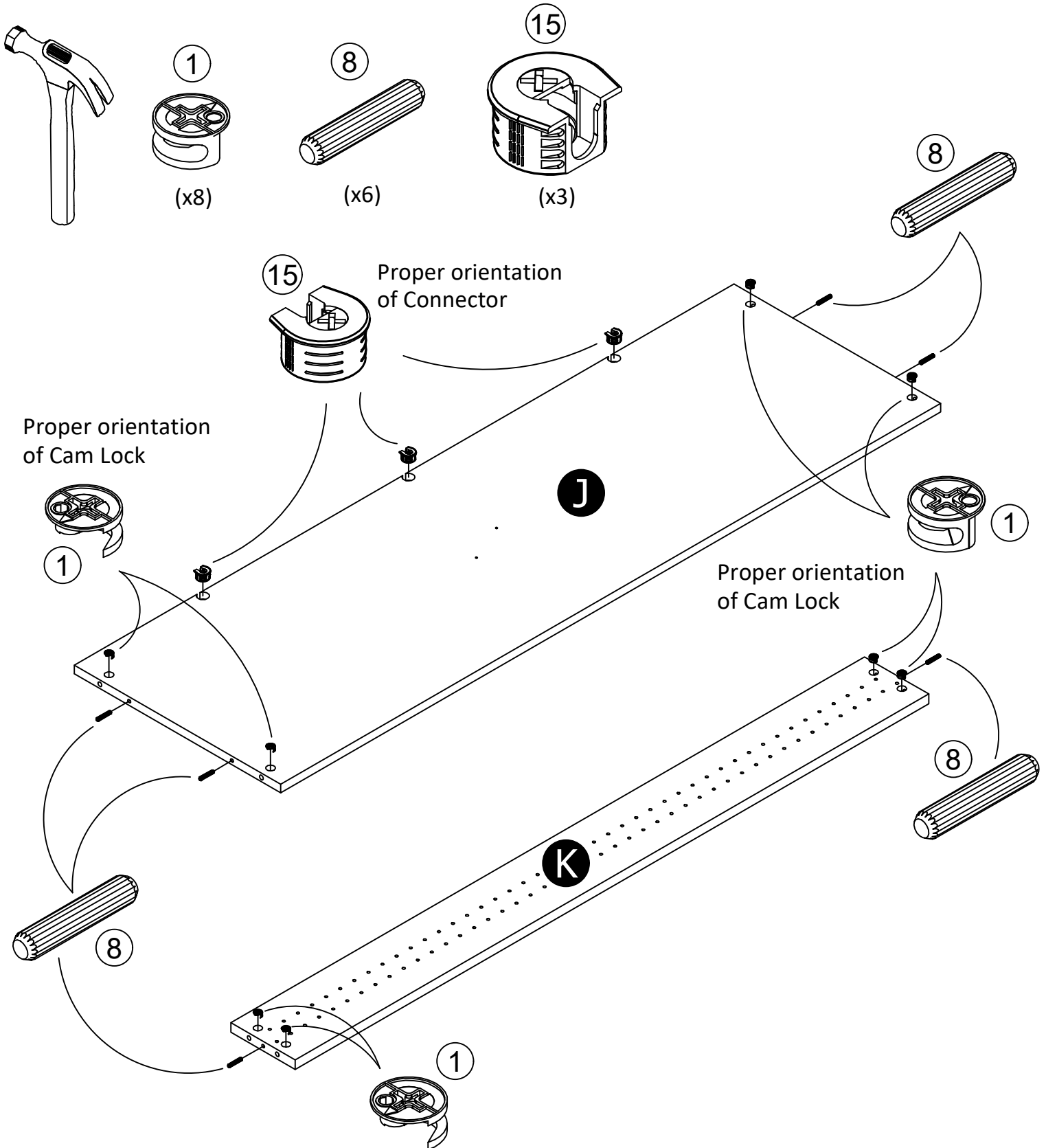
Proper orientation
of Cam Lock

H

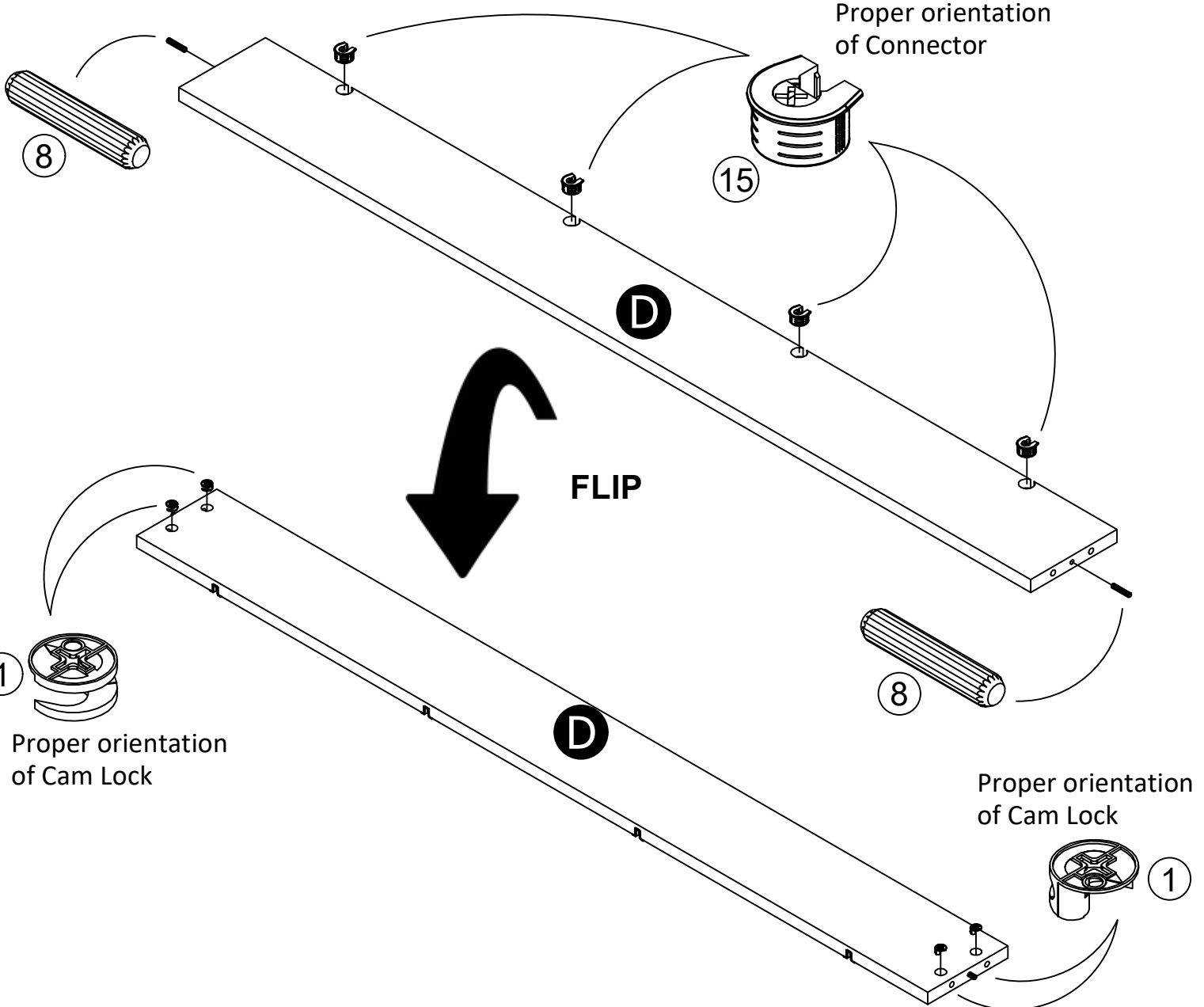
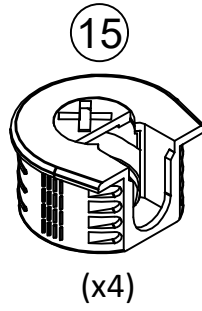
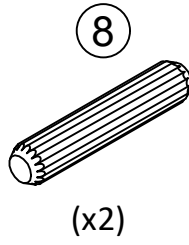
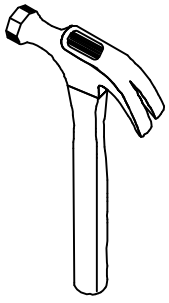
x2



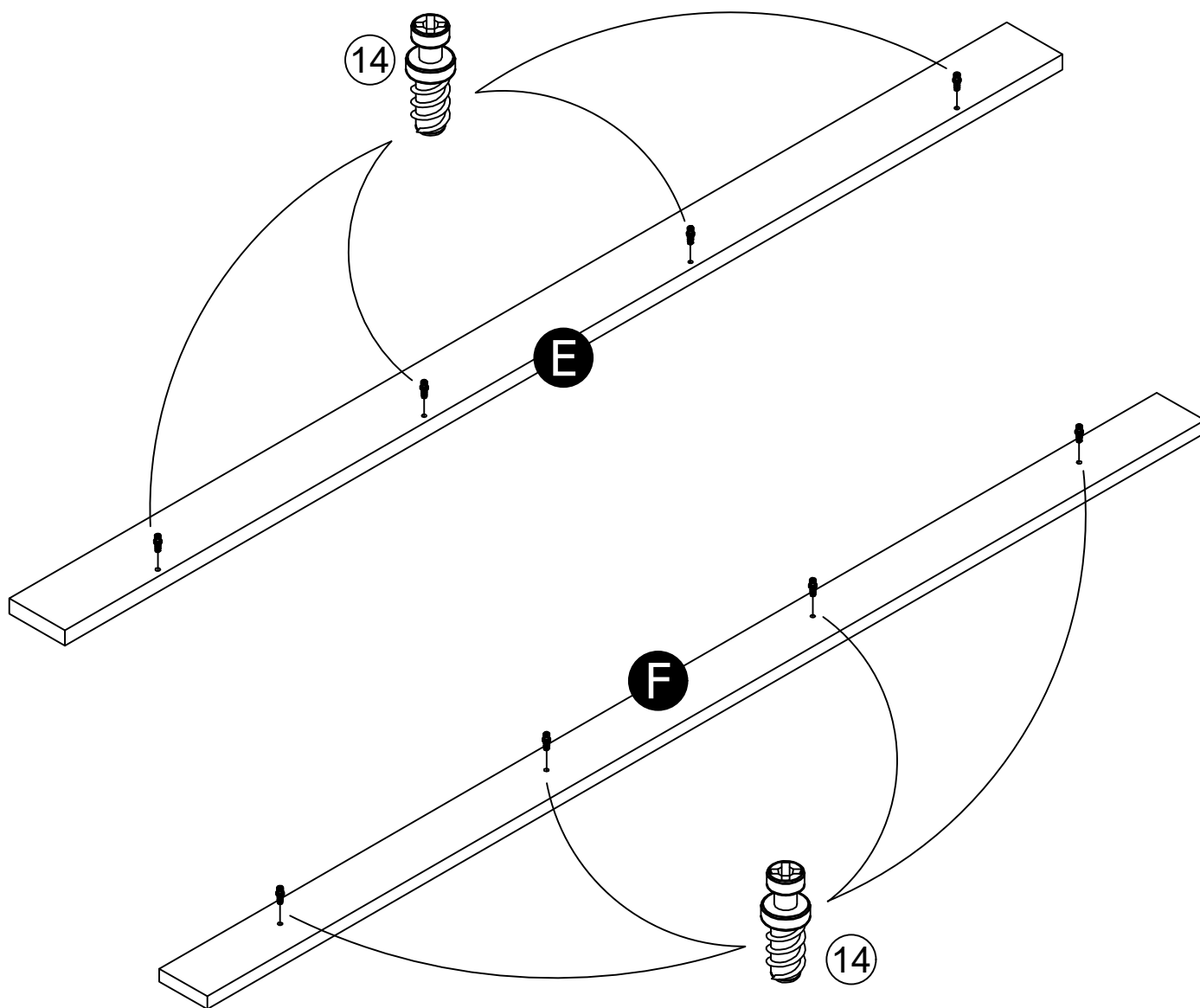
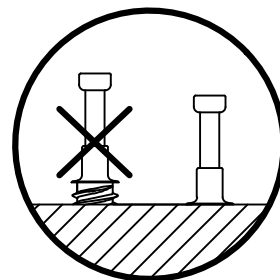
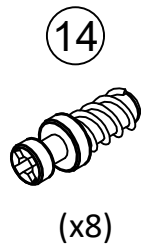
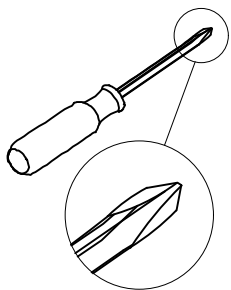
STEP 3



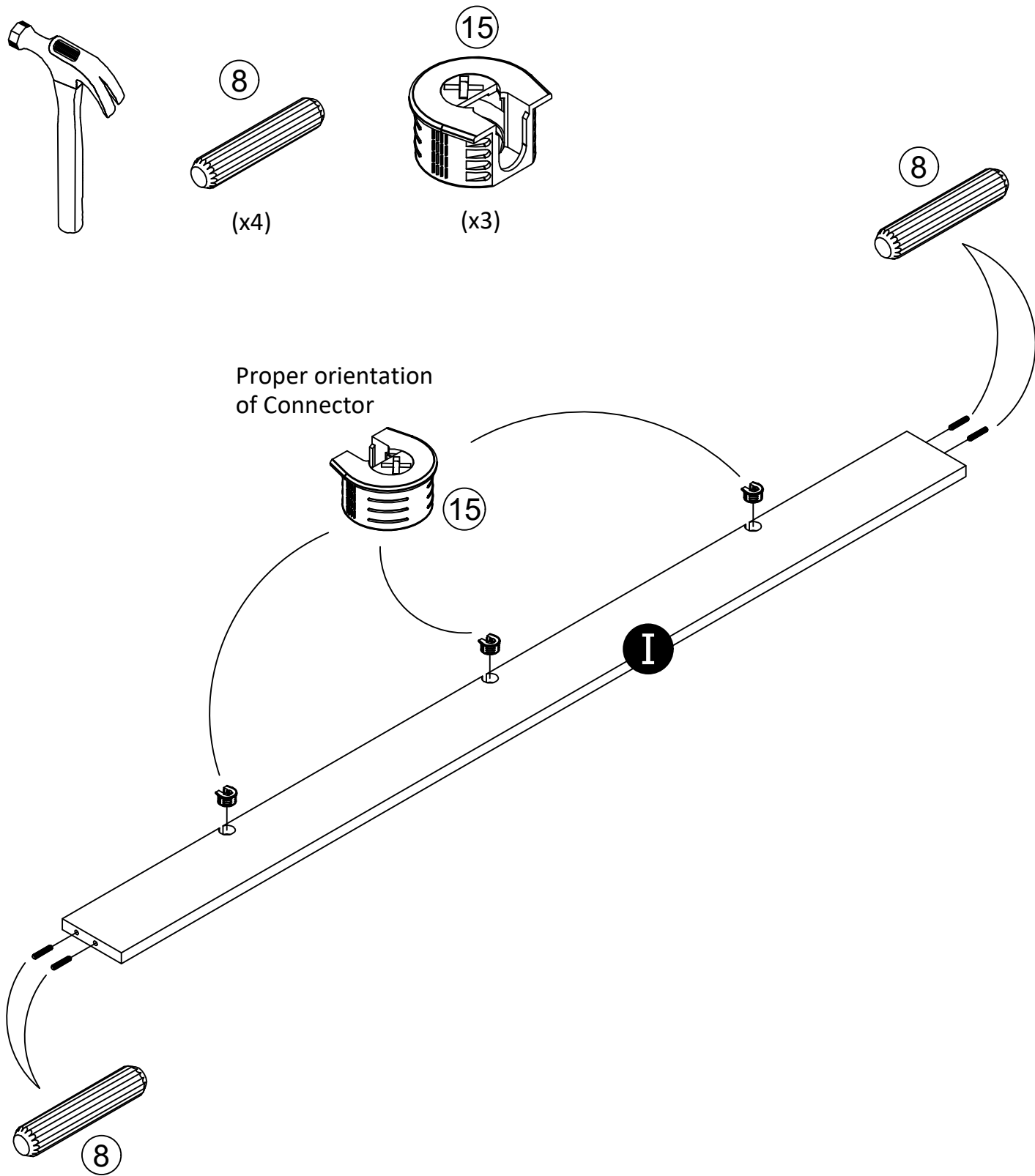
STEP 4



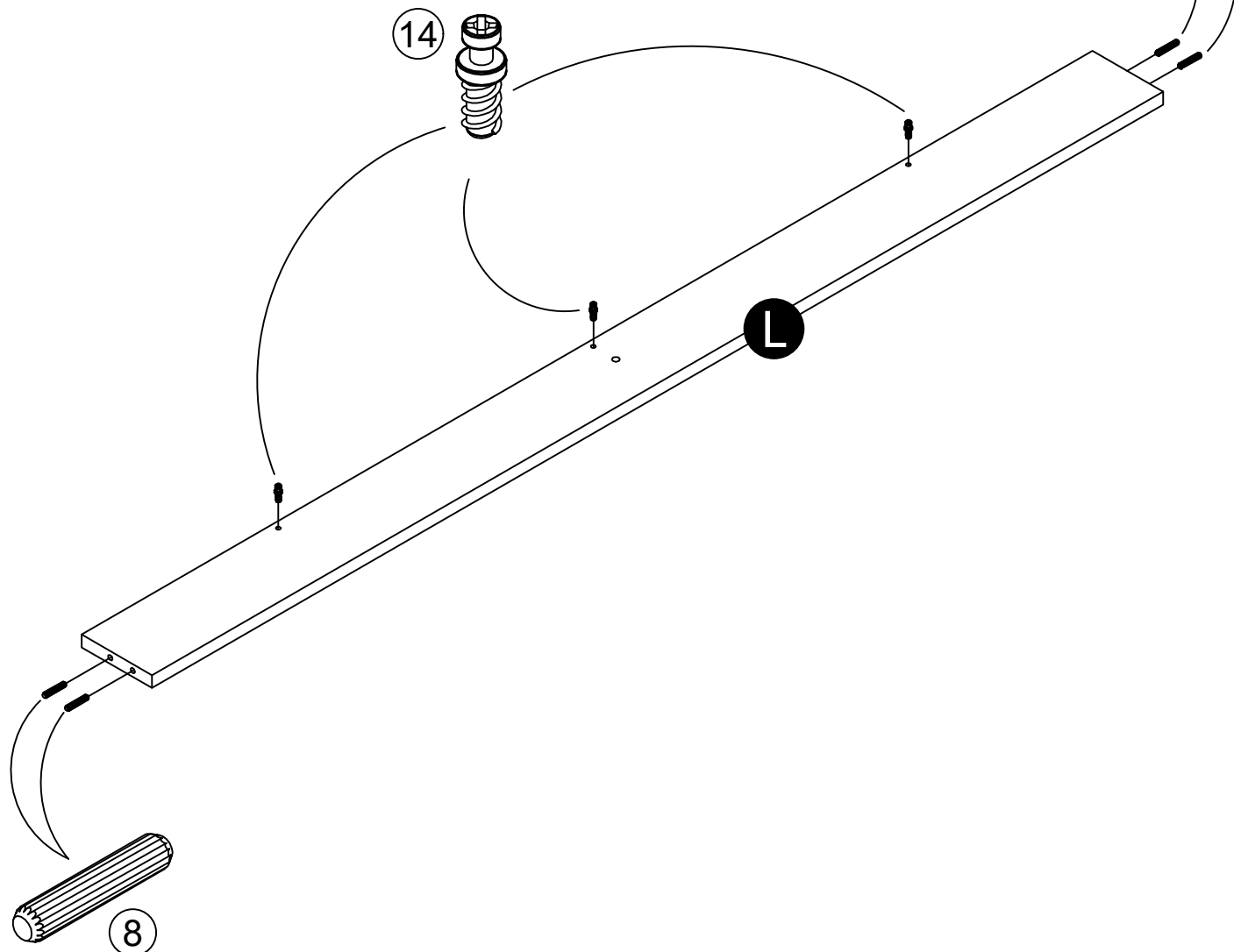
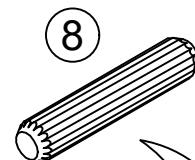
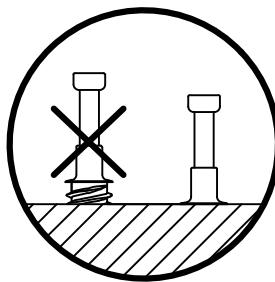
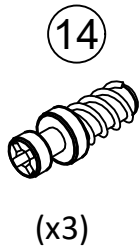
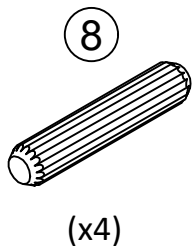
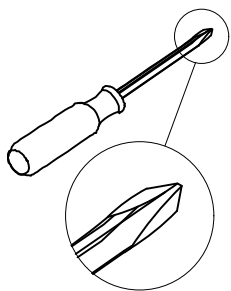
STEP 5



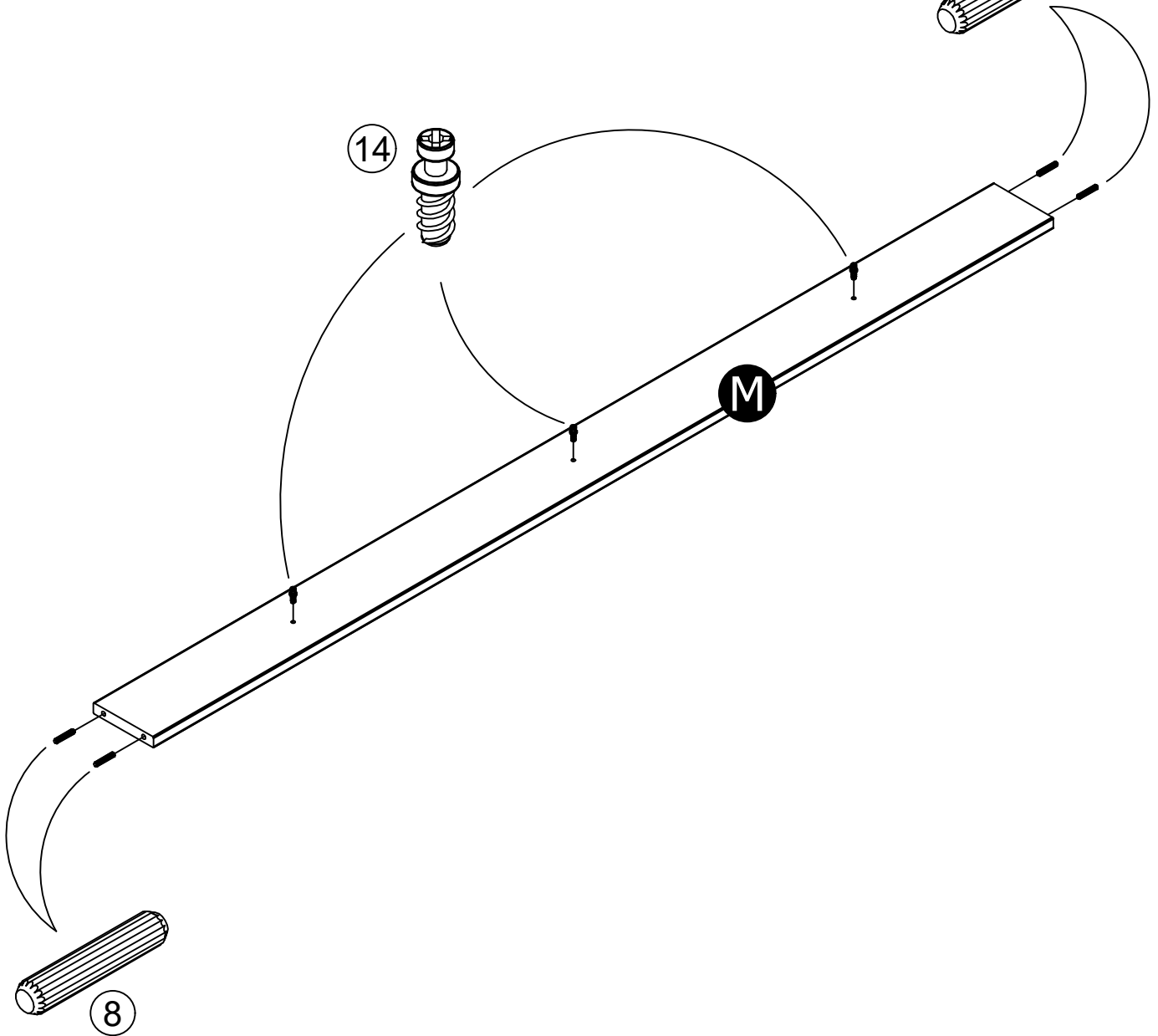
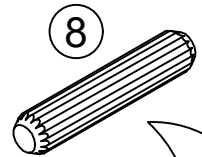
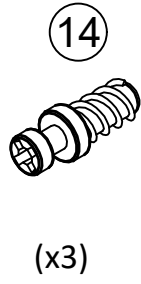
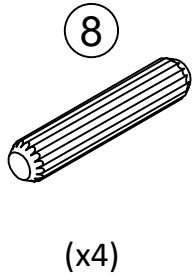
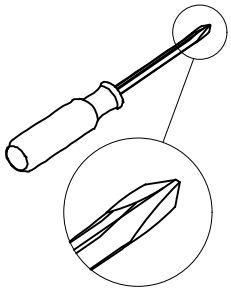
STEP 6



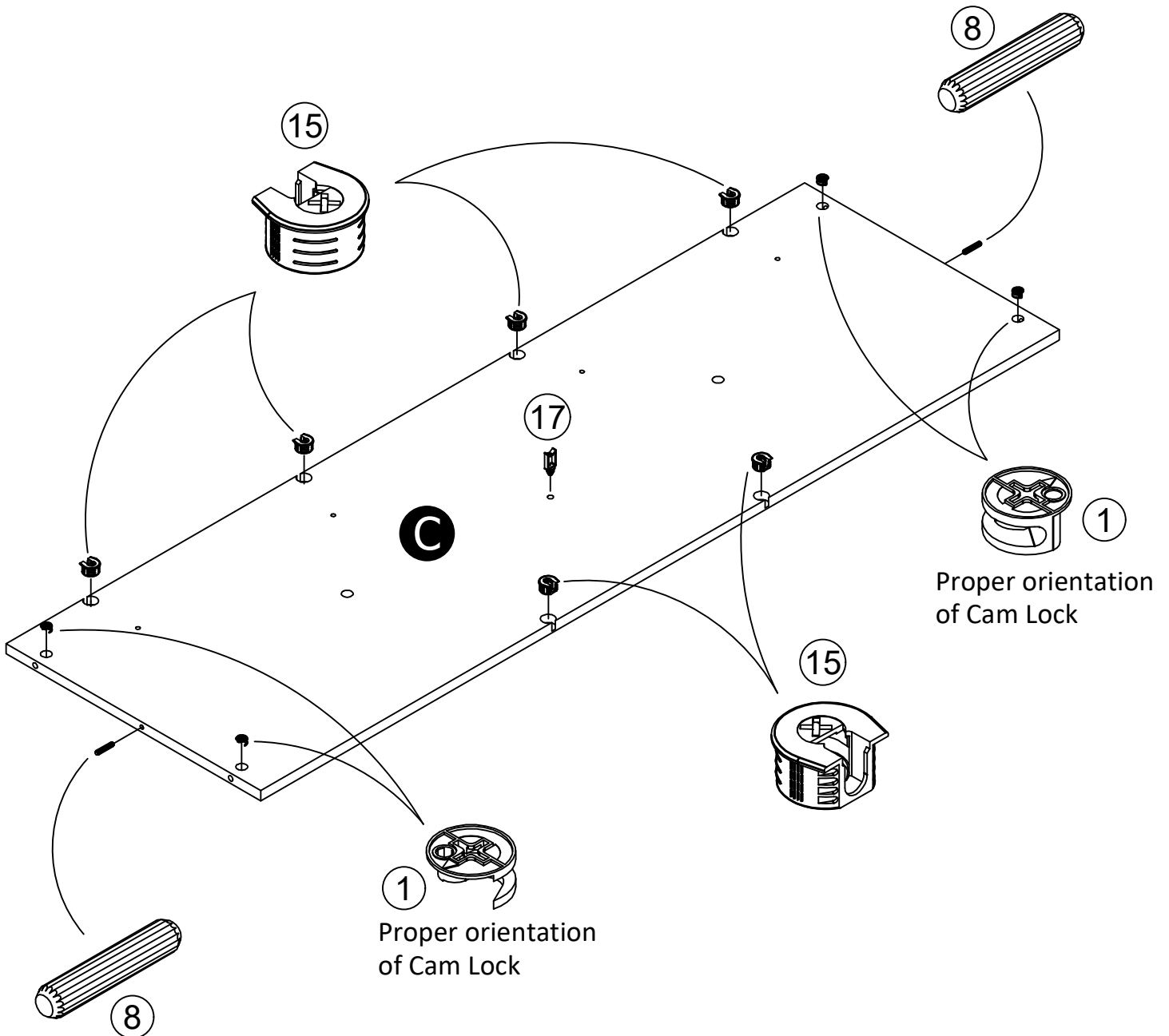
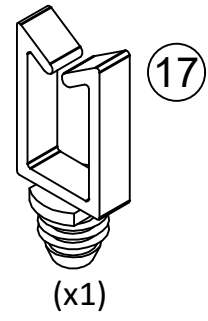
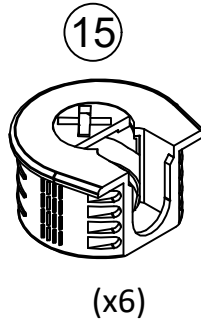
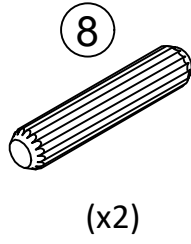
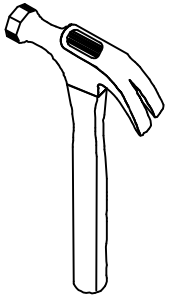
STEP 7



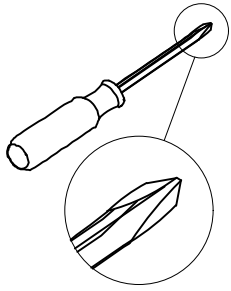
STEP 8



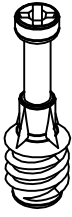
STEP 9



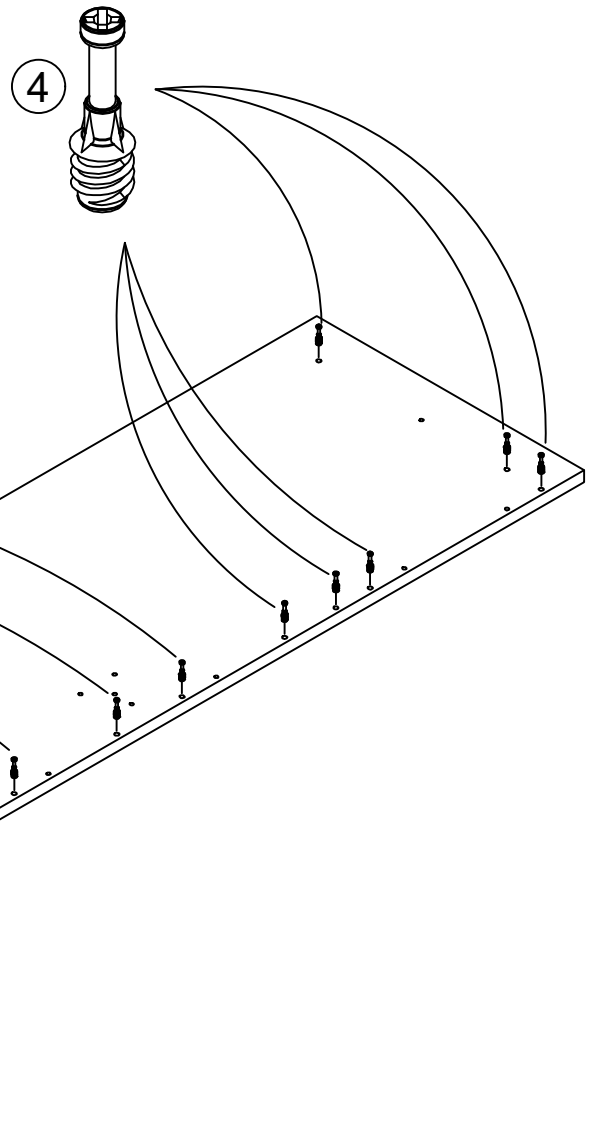
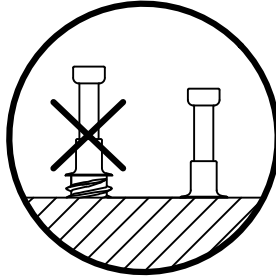
STEP 10



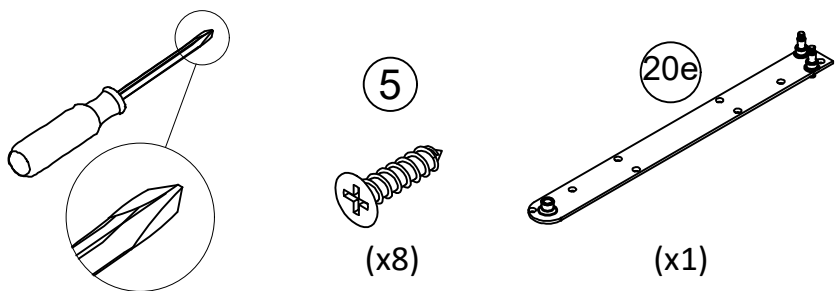
4



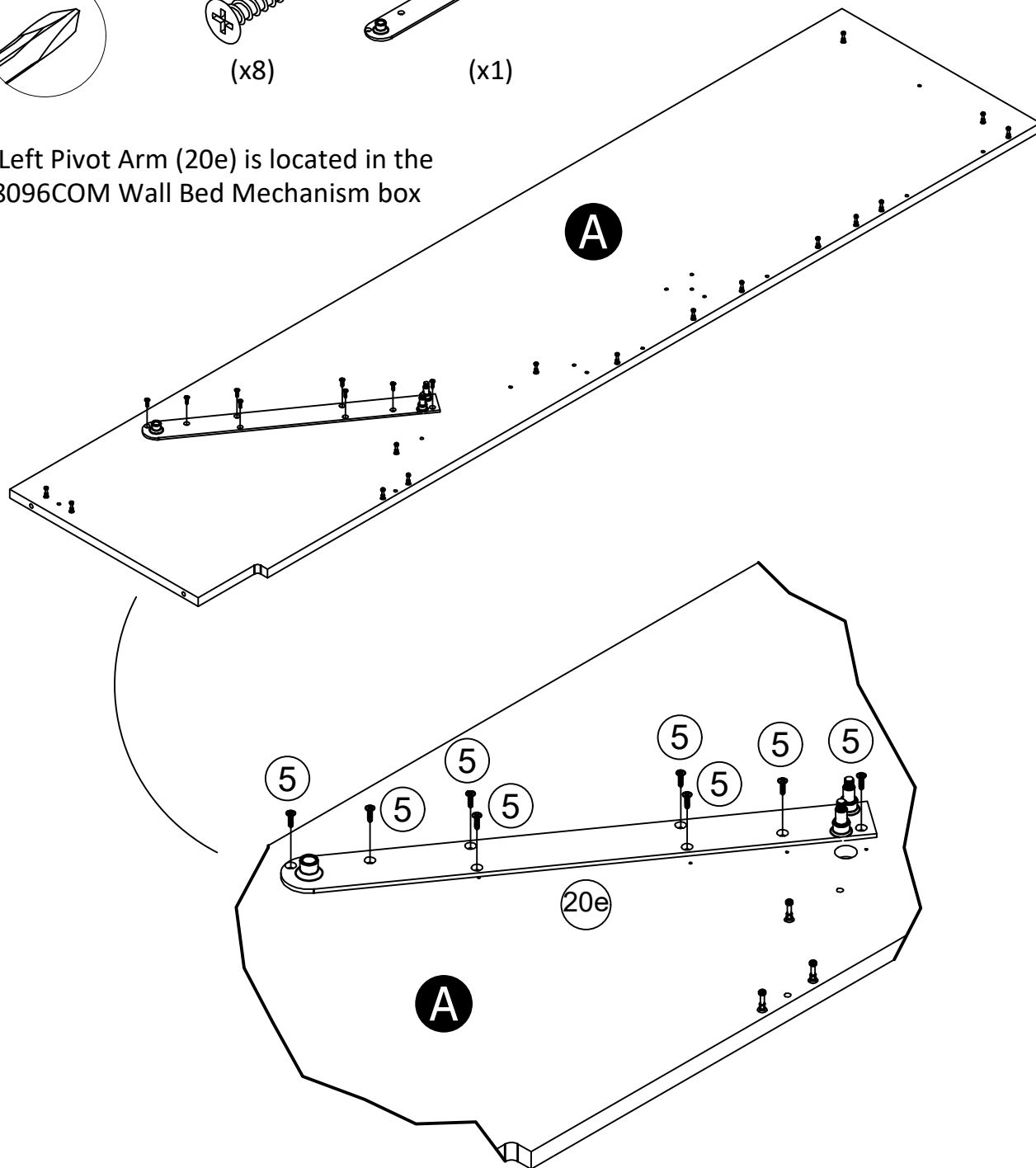
(x15)



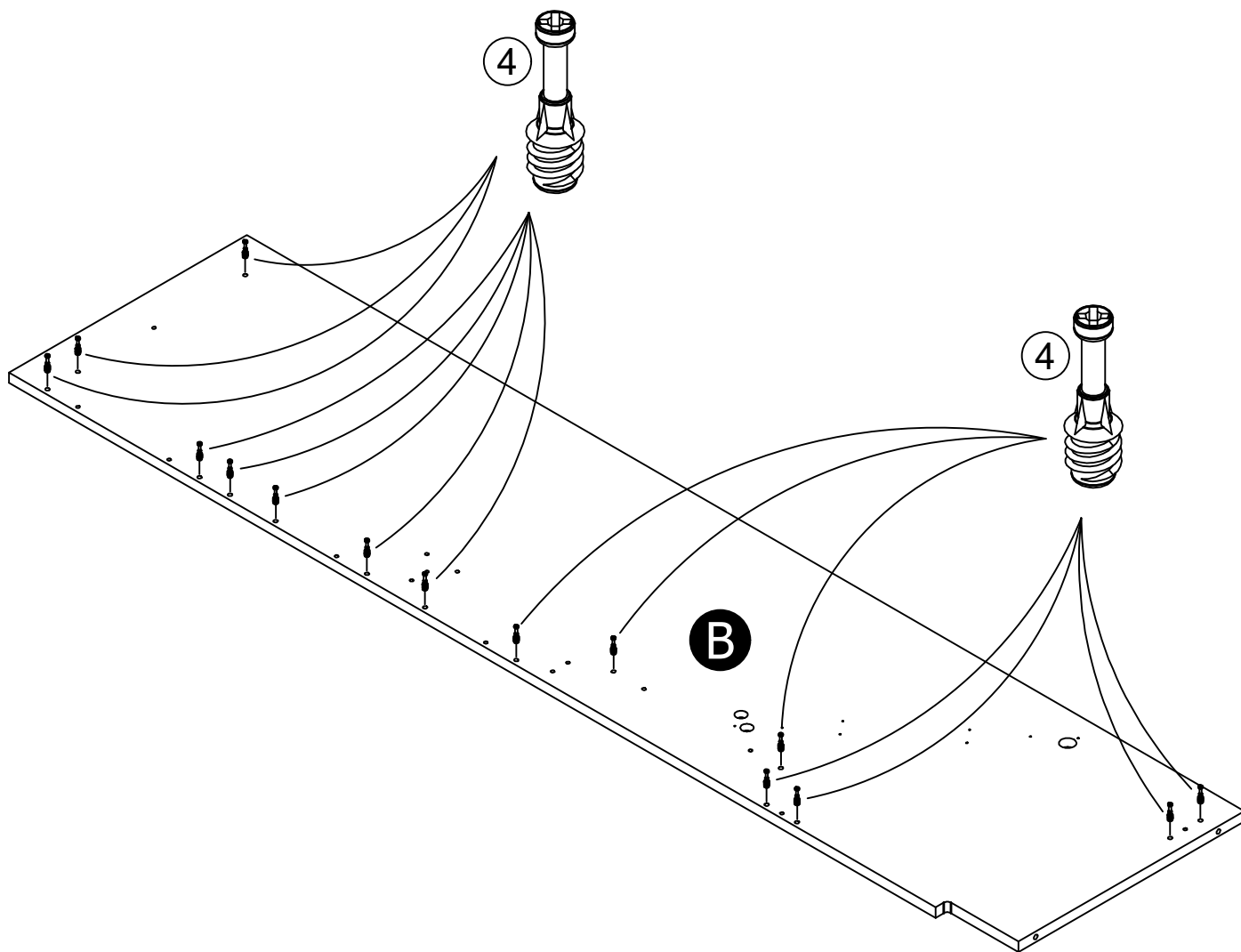
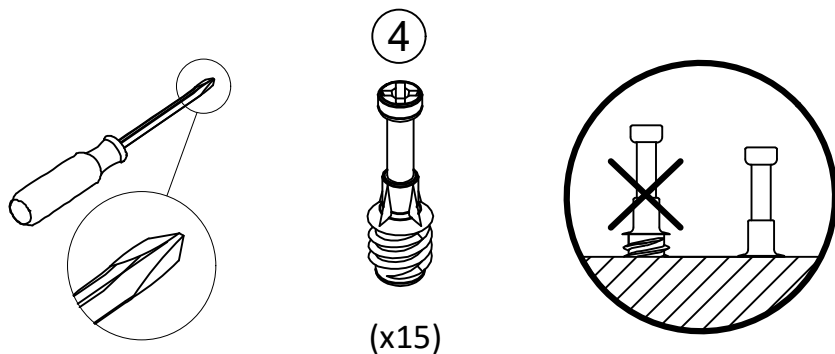
STEP 11



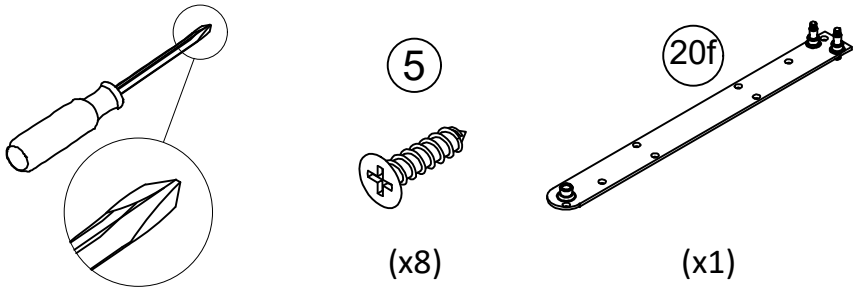
The Left Pivot Arm (20e) is located in the 3678096COM Wall Bed Mechanism box



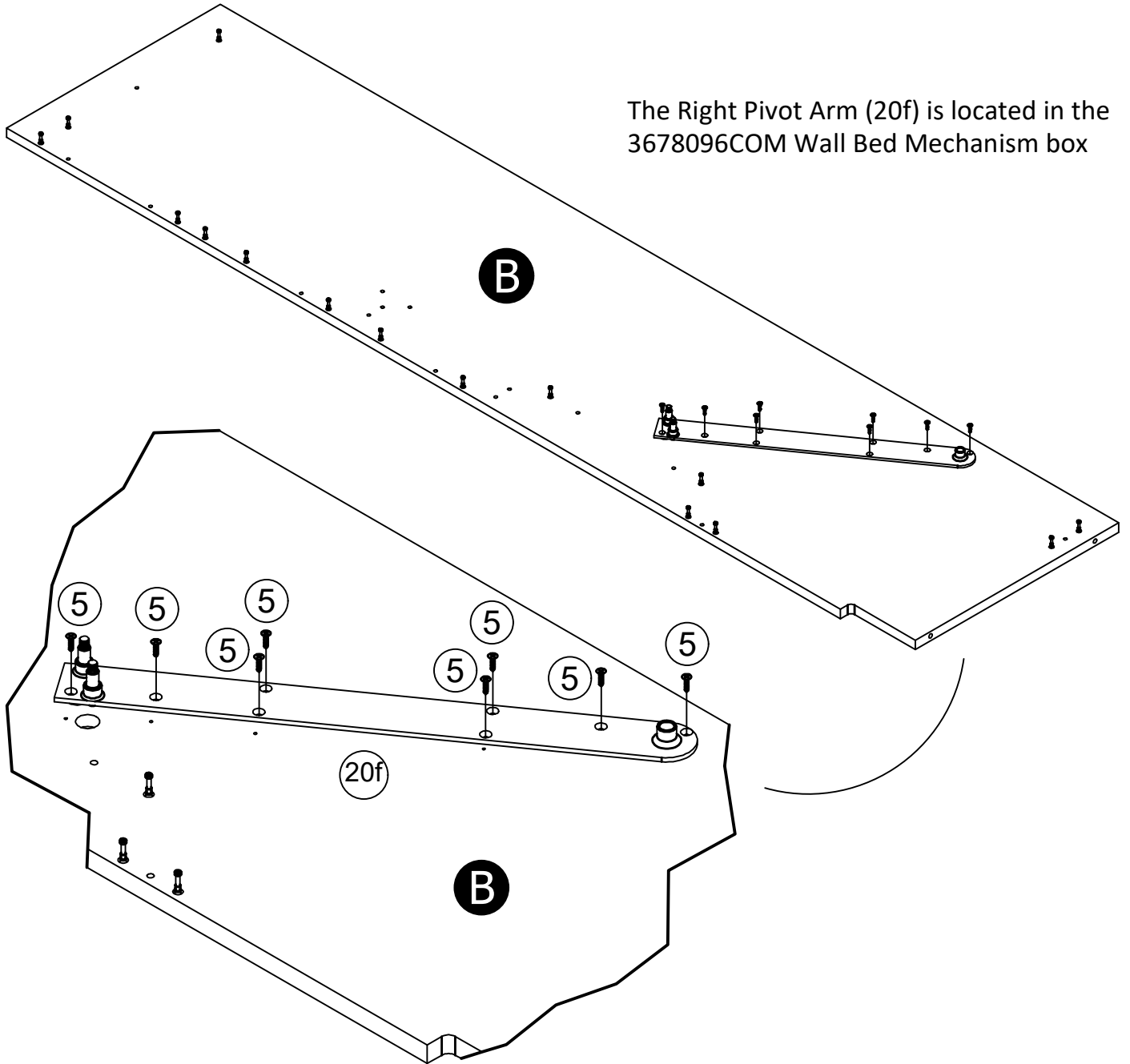
STEP 12



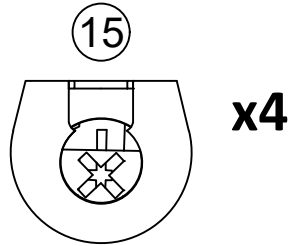
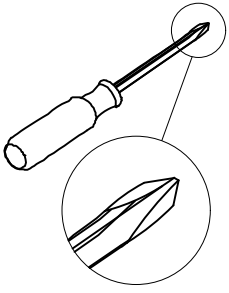
STEP 13



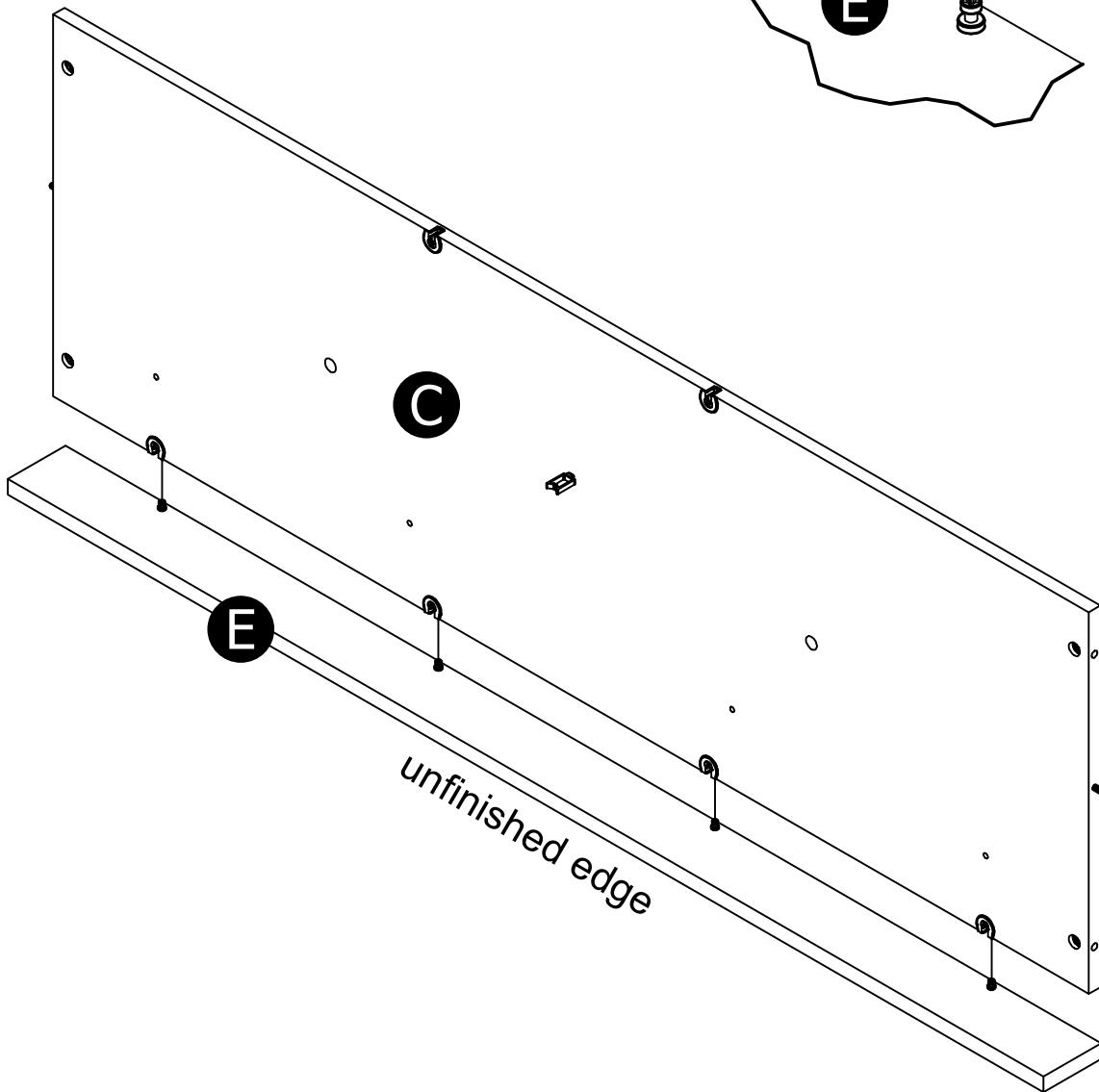
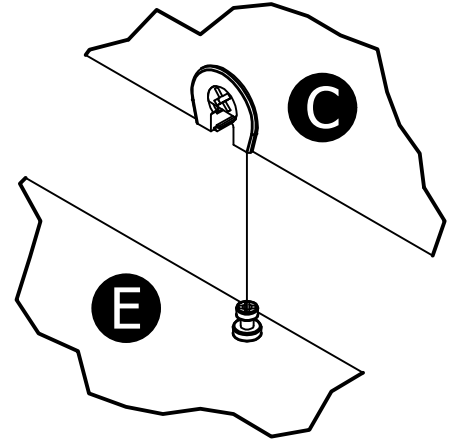
The Right Pivot Arm (20f) is located in the 3678096COM Wall Bed Mechanism box



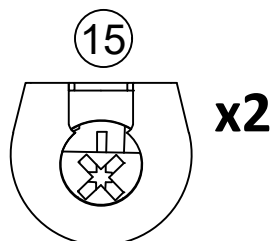
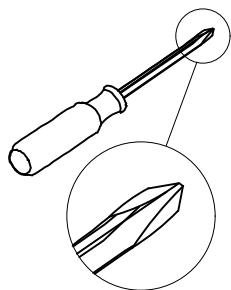
STEP 14



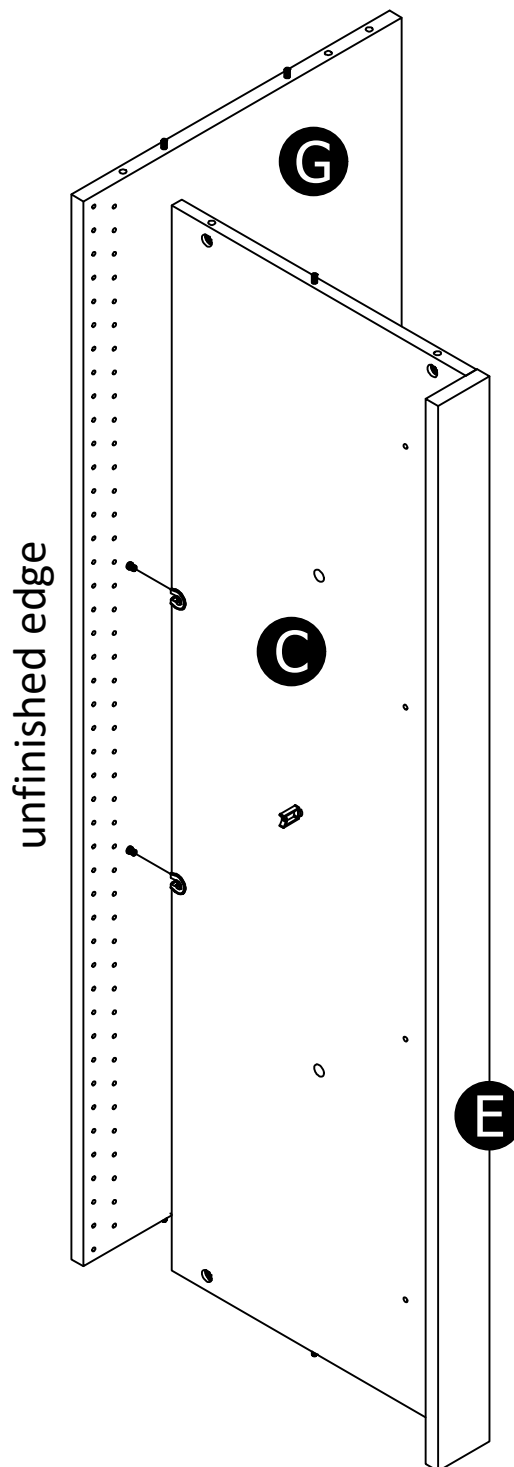
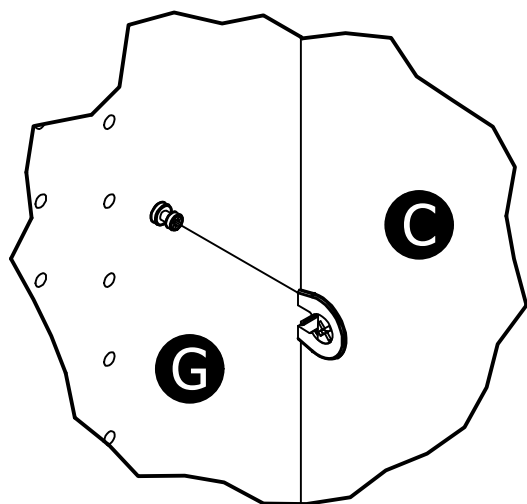
turn clockwise
to lock in place



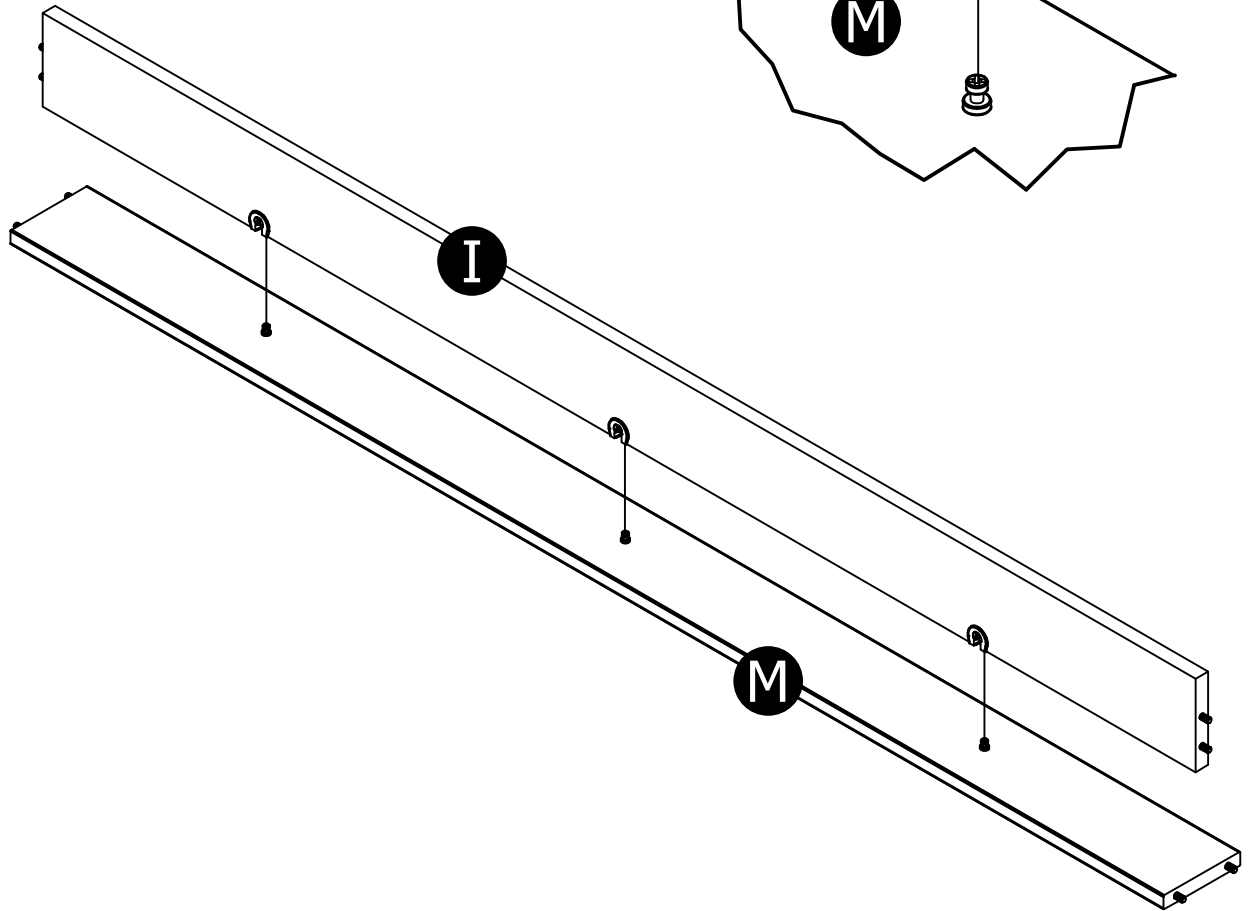
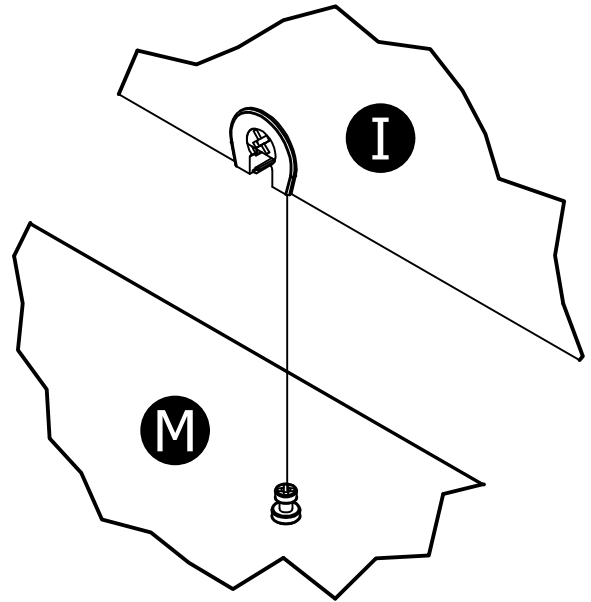
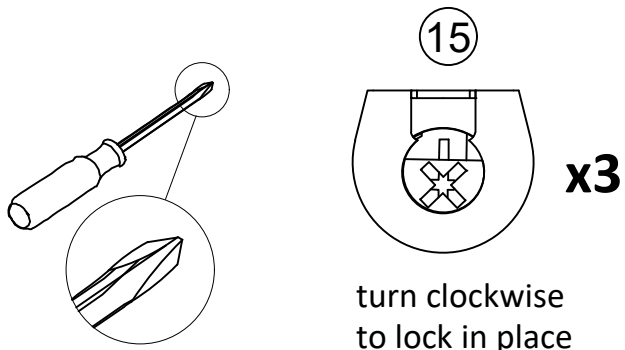
STEP 15



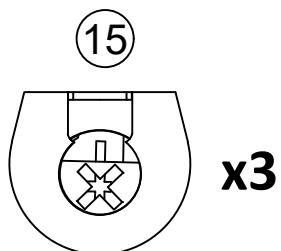
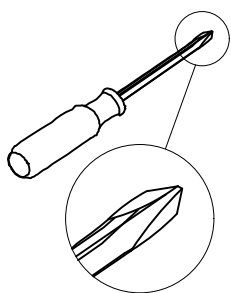
turn clockwise
to lock in place



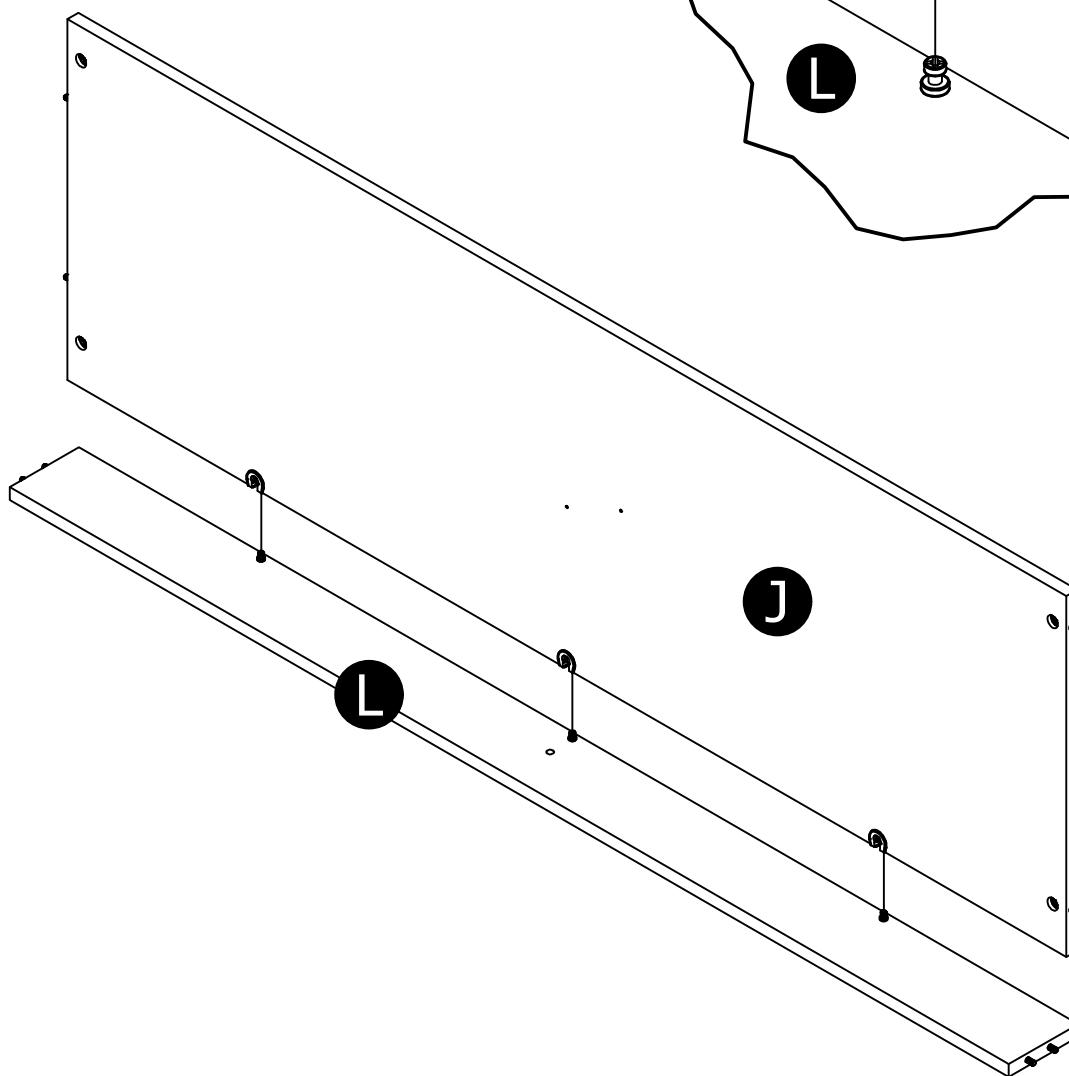
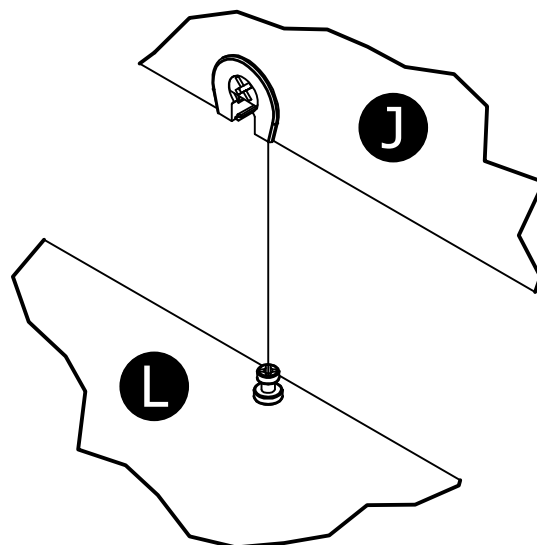
STEP 16



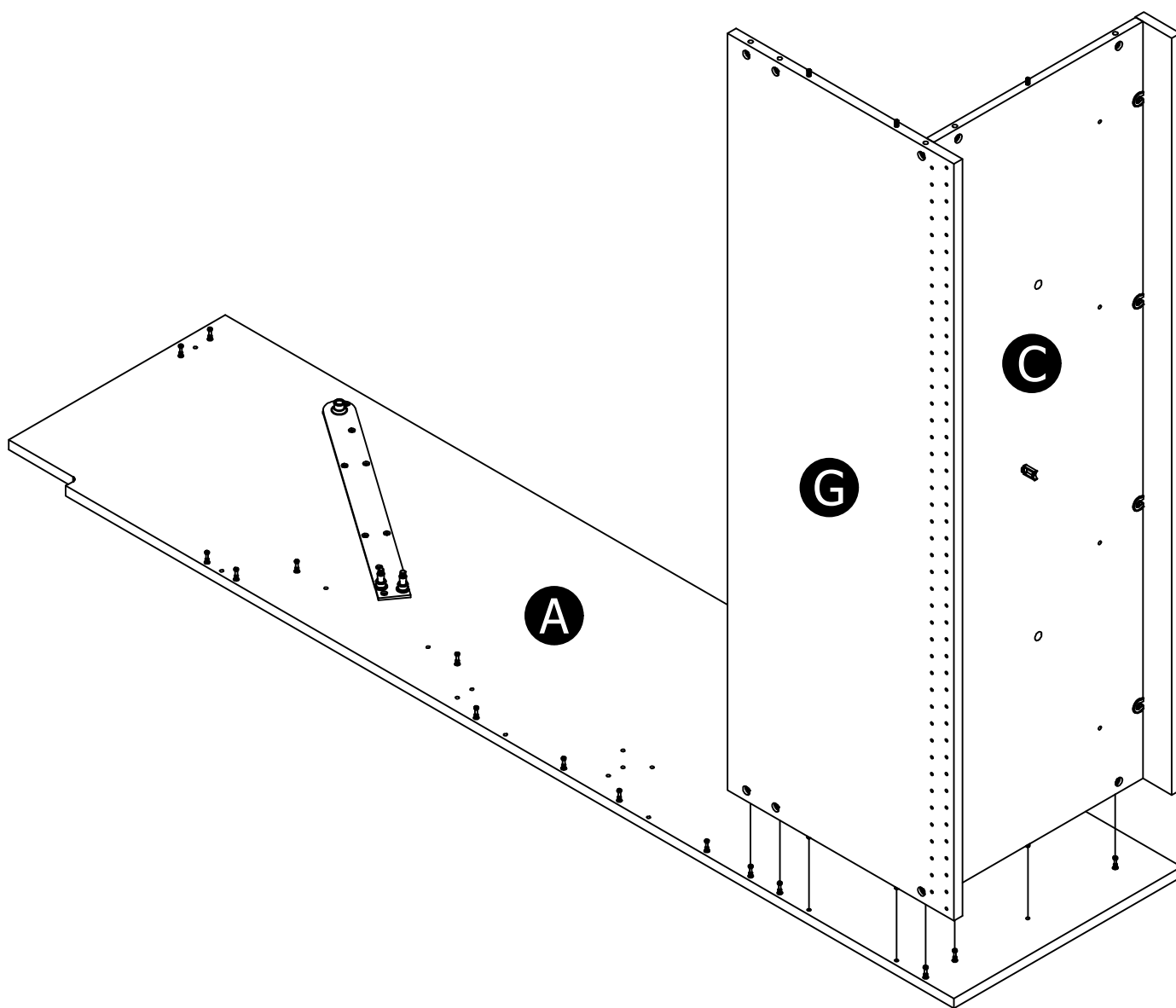
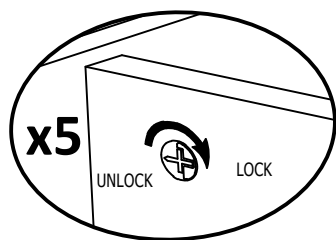
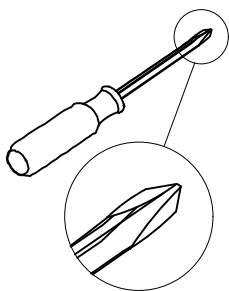
STEP 17



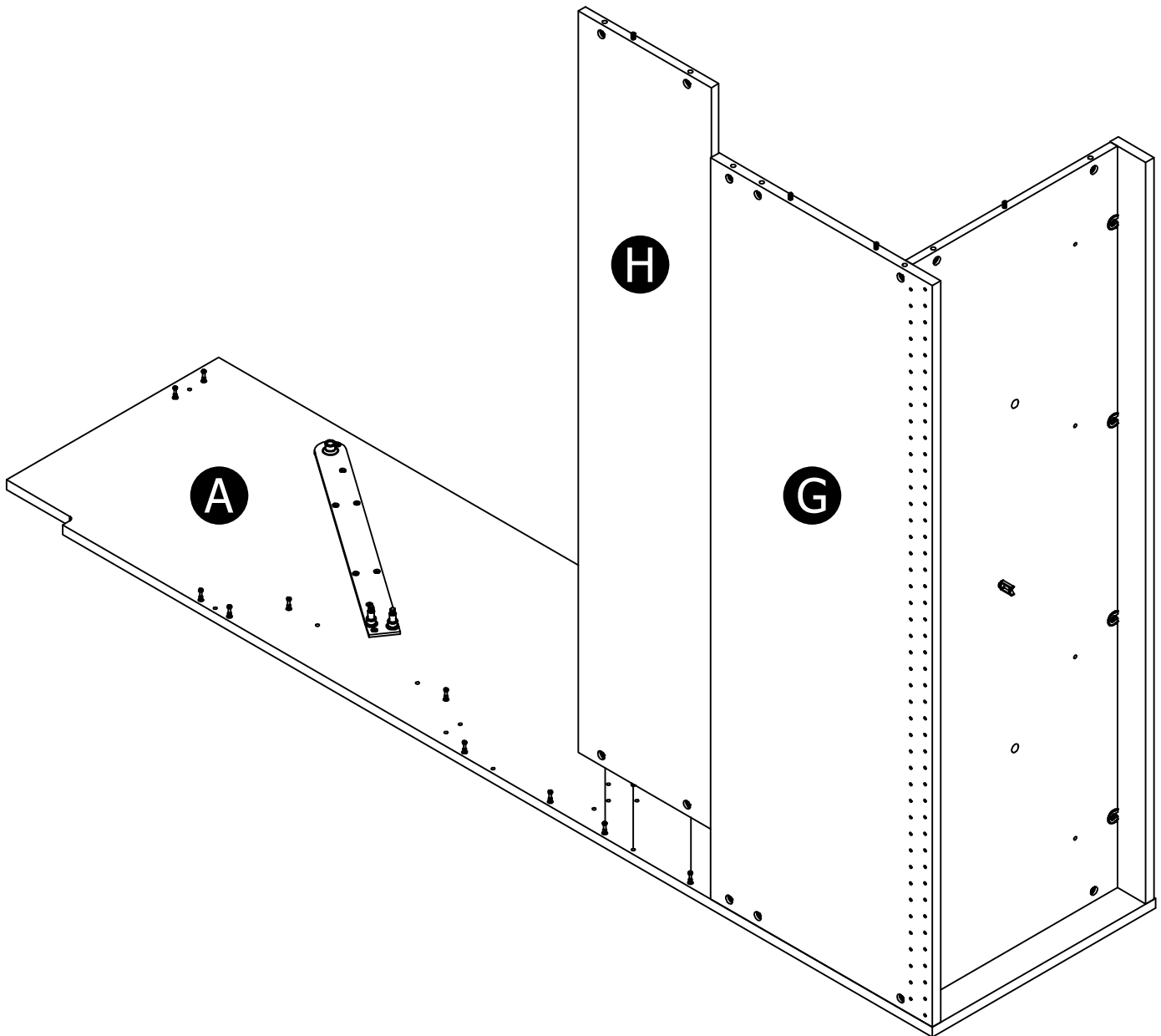
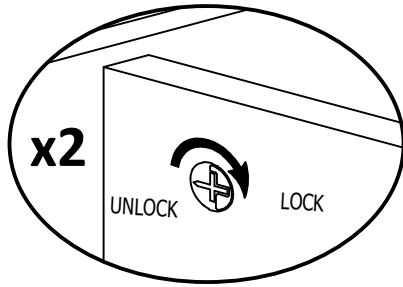
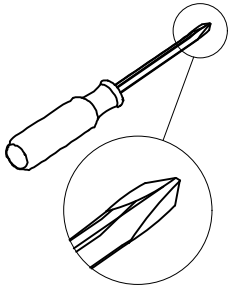
turn clockwise
to lock in place



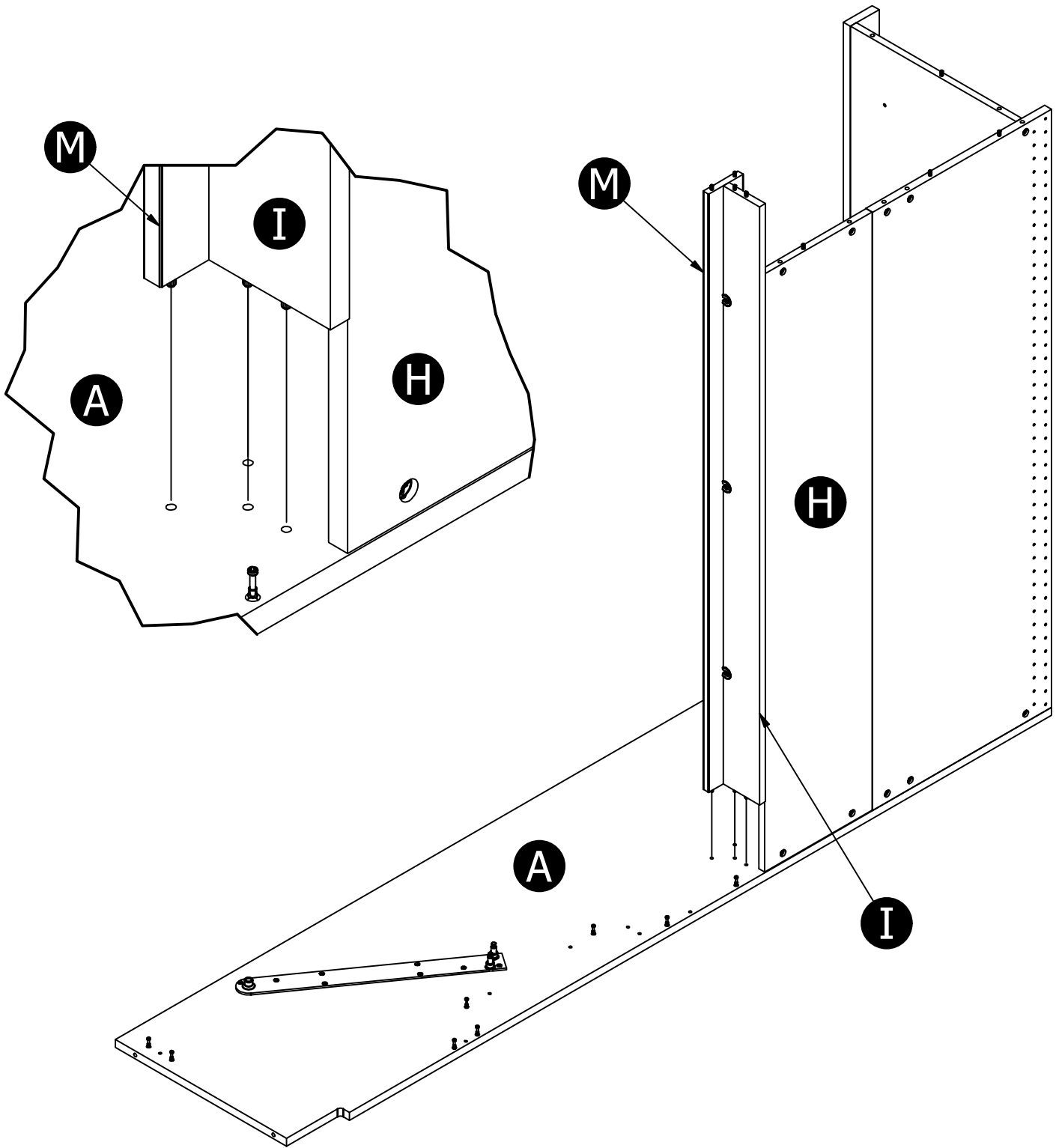
STEP 18



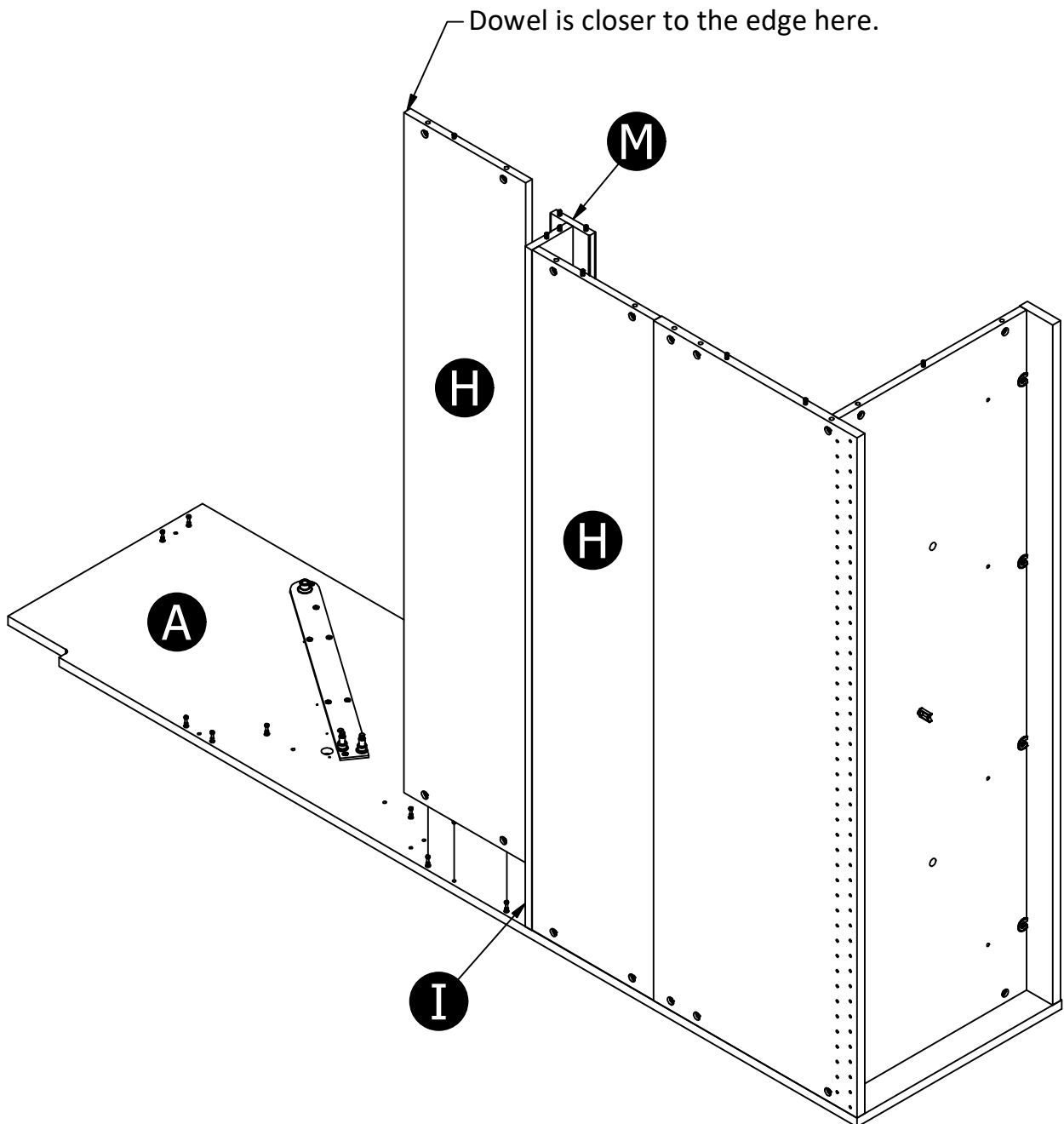
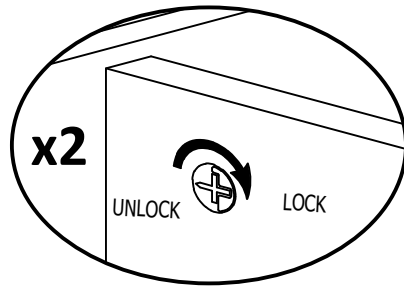
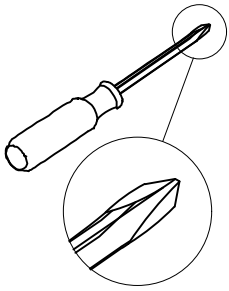
STEP 19



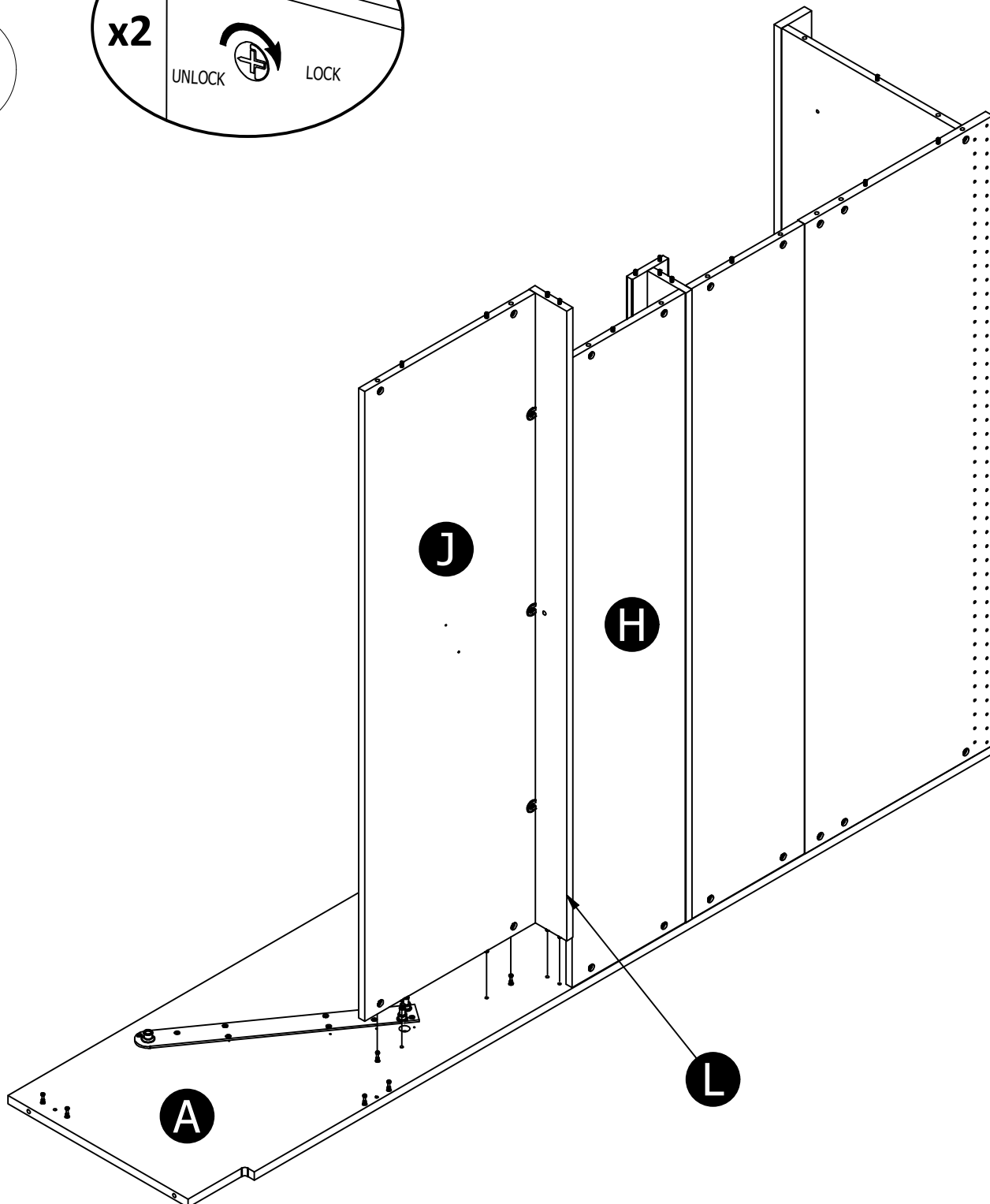
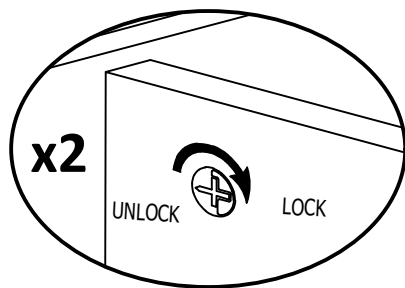
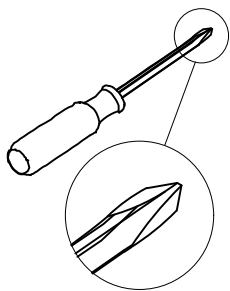
STEP 20



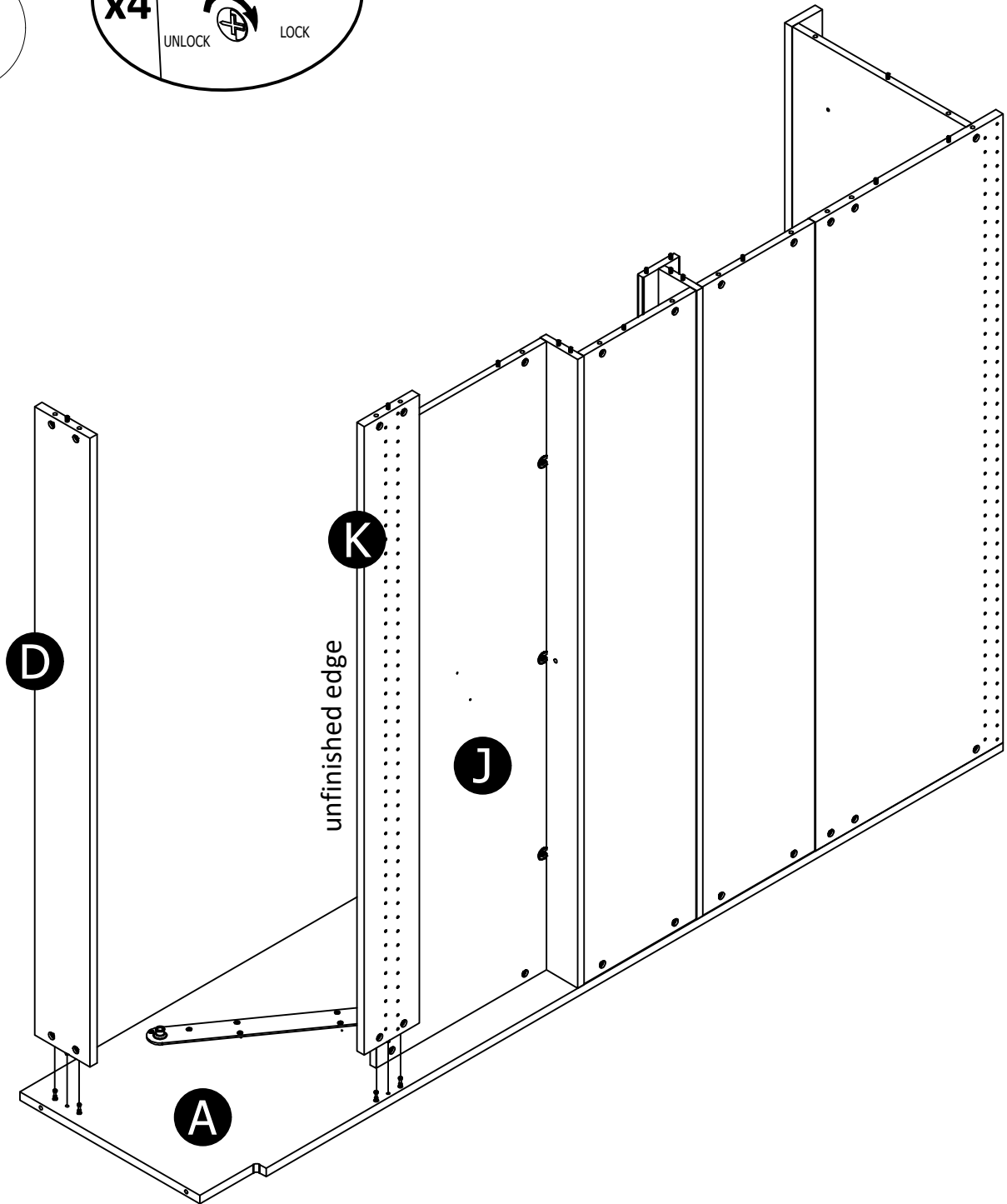
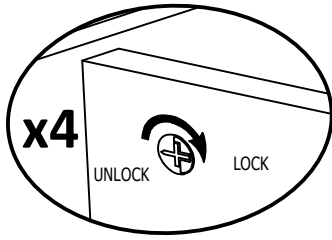
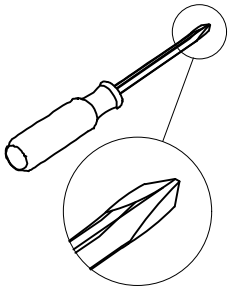
STEP 21



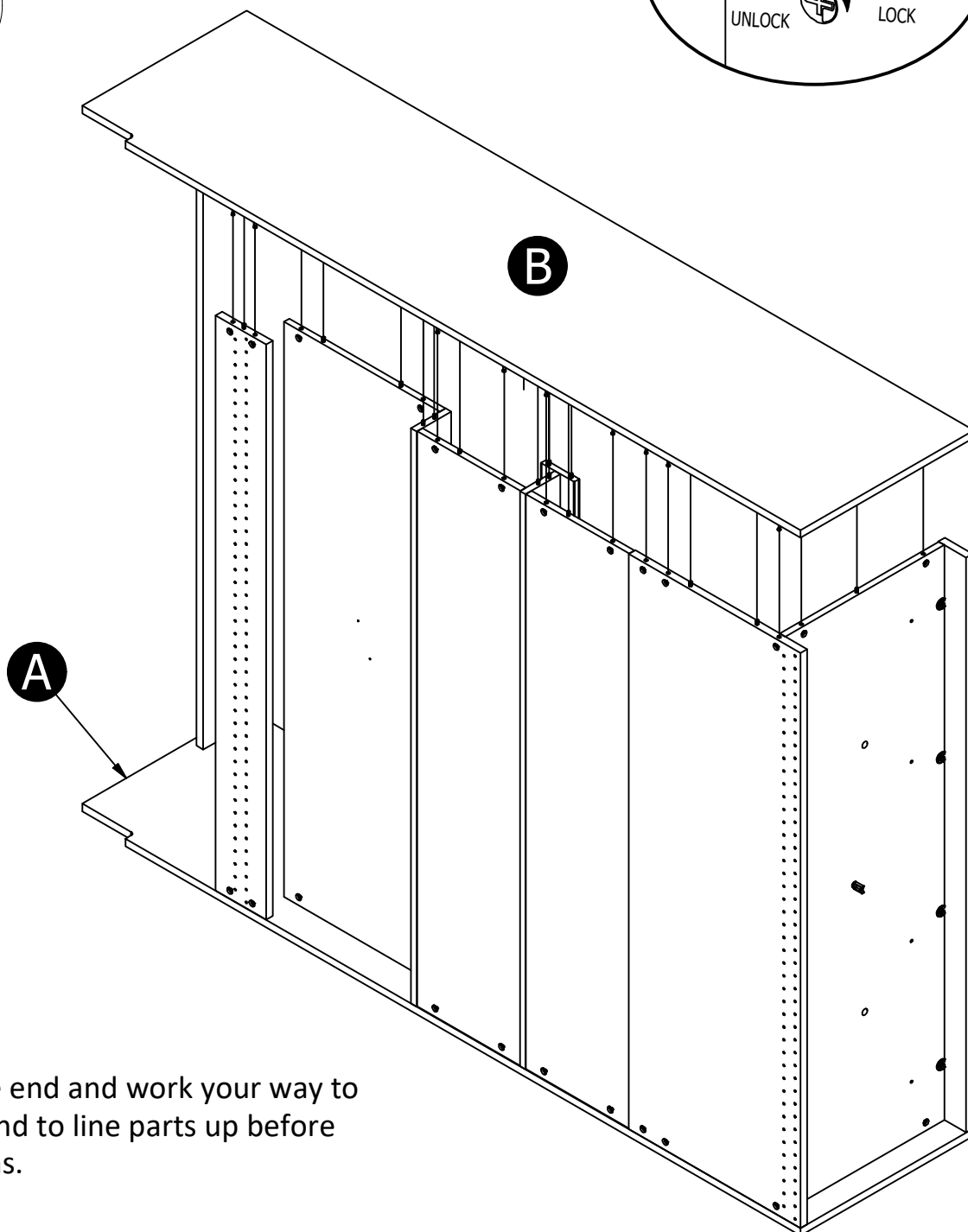
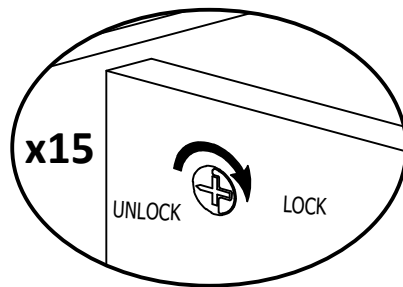
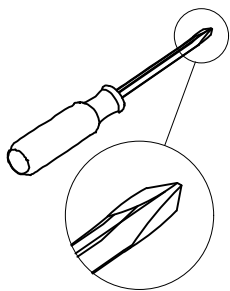
STEP 22



STEP 23

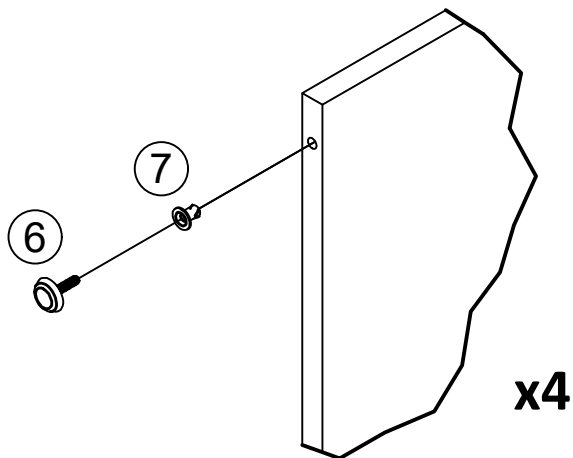
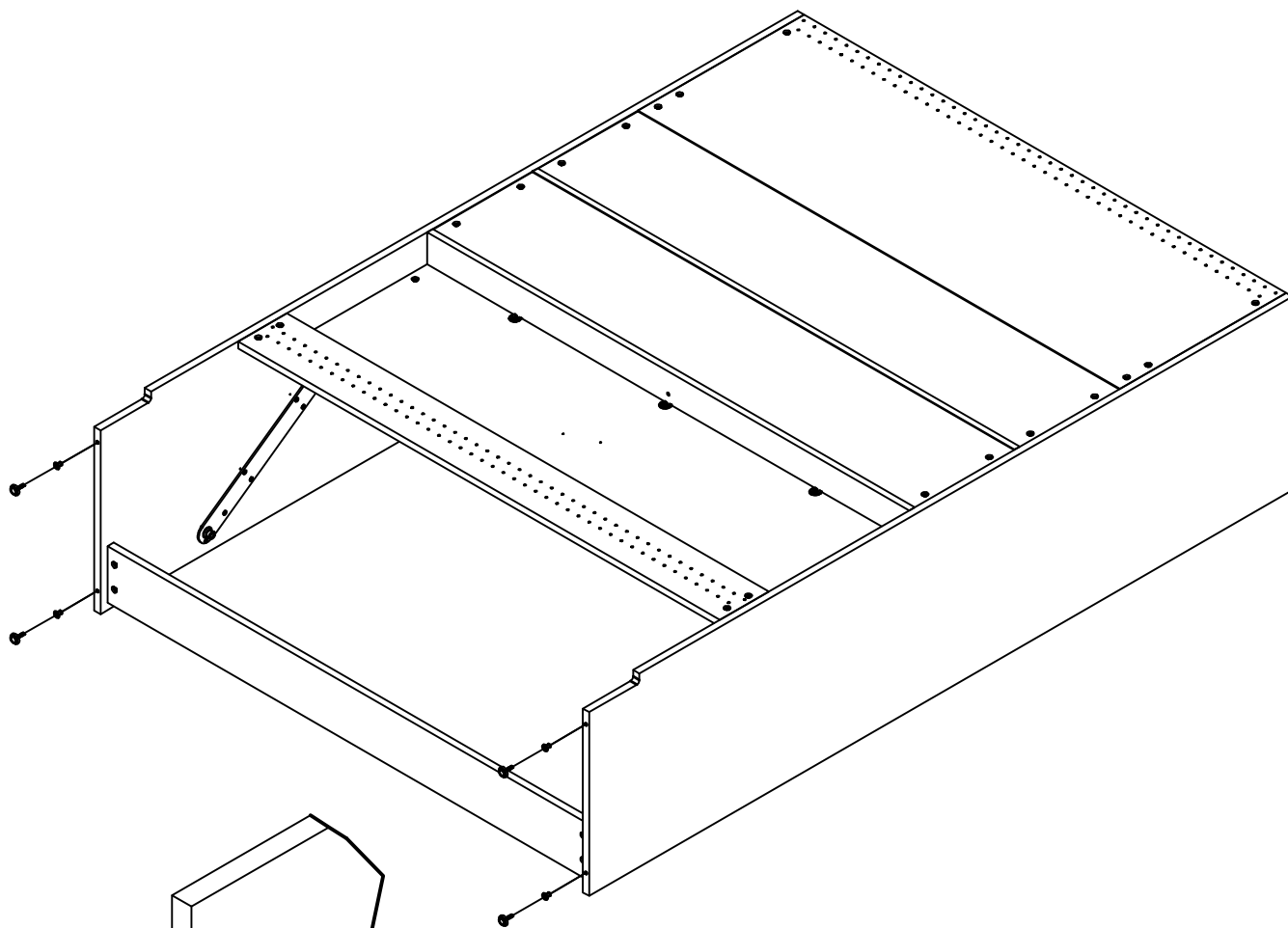
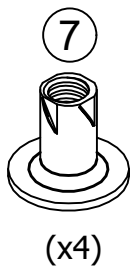
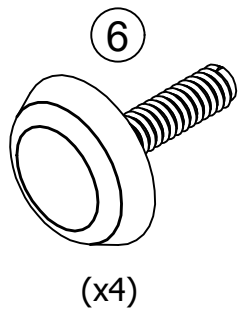
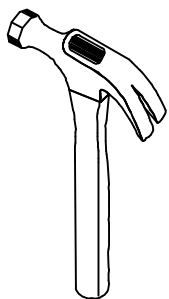


STEP 24



Start at one end and work your way to the other end to line parts up before locking cams.

STEP 25



Carefully, lay the unit onto its front. Tap in Bushings (7) with a hammer and then screw in Glides (6) all the way.

STEP 26

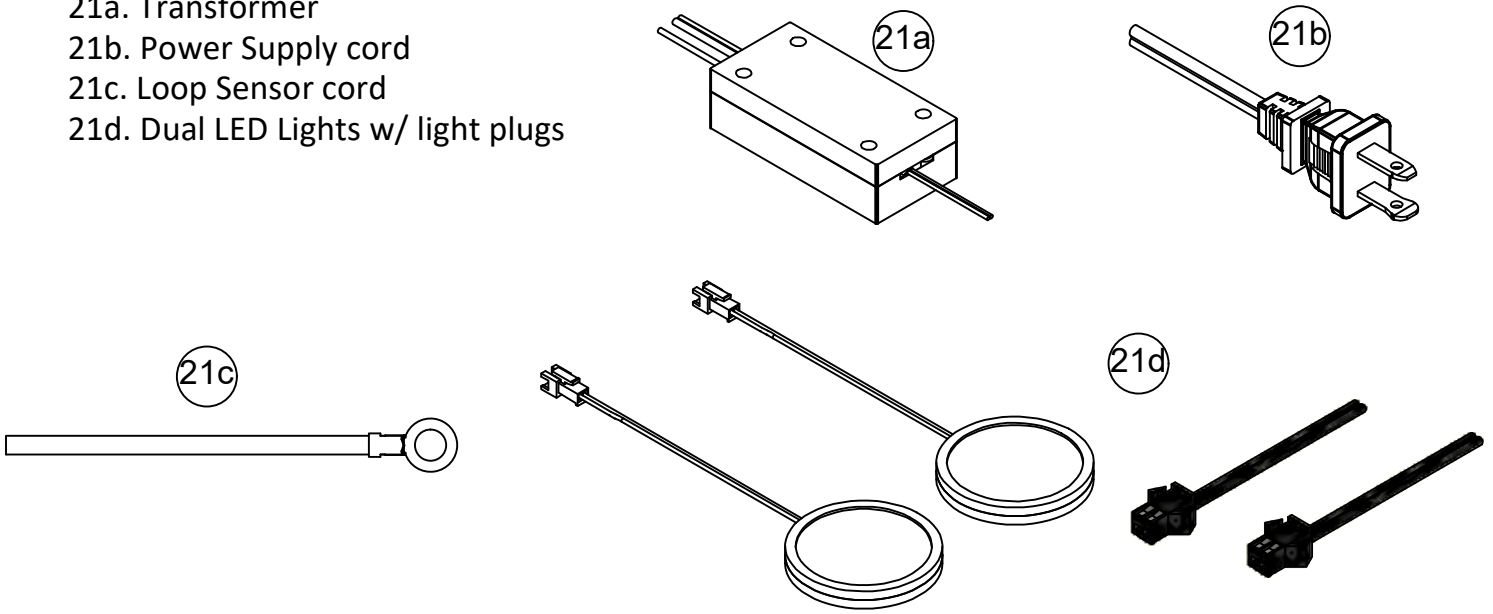
The next steps are to assemble your electrical hardware

Cord length information:

1. The power supply cord is 72" from transformer to the plug's tip
2. The loop wire for the sensor disk, from the transformer is 48" to the center of the loop
3. The light wire that ends in a clip (that will eventually be connected to the light module), that wire, from the transformer is 100" to the clip
4. The light module, its wire comes out of the light disk and extends out 5" to the center of its clip

Dual LED Light Kit Includes:

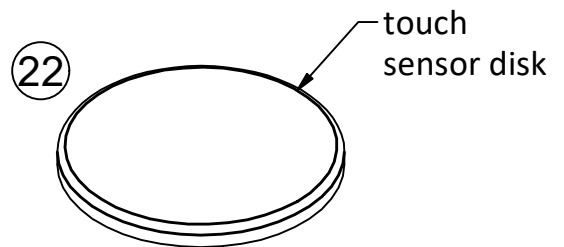
- 21a. Transformer
- 21b. Power Supply cord
- 21c. Loop Sensor cord
- 21d. Dual LED Lights w/ light plugs



Touch Sensor Disk (separately packaged)

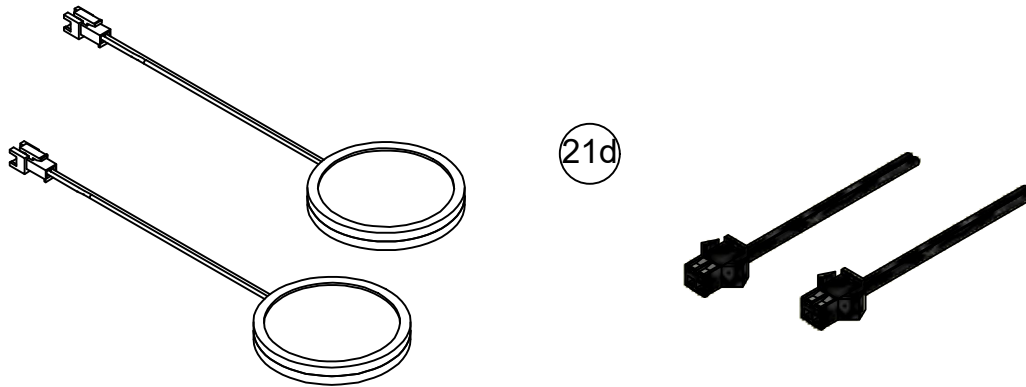
The Touch Sensor Disk has 3 brightness options.

- Touch 1 - night light
- Touch 2 - energy saver light
- Touch 3 - bright reading light
- Touch 4 - turn off



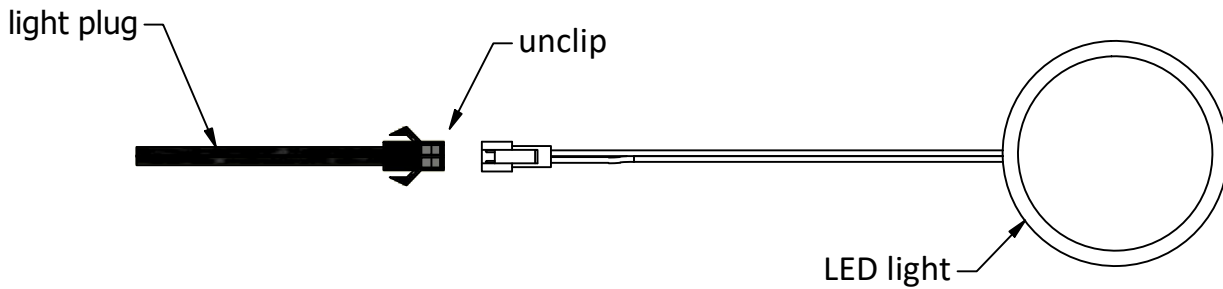
Please note: Assembly hardware aren't included in these packages. But are provided in hardware bag.

STEP 27

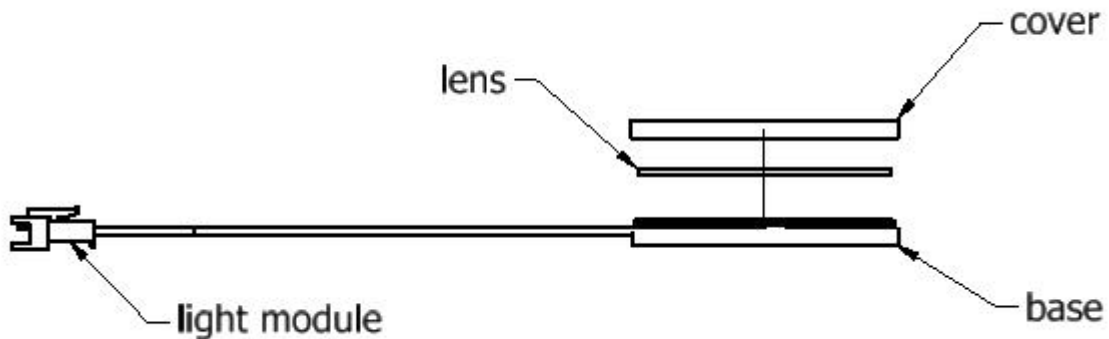


LED Light Kit Assembly

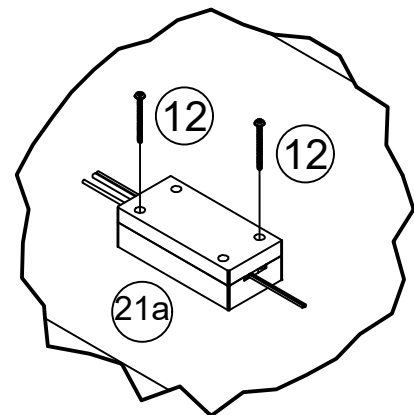
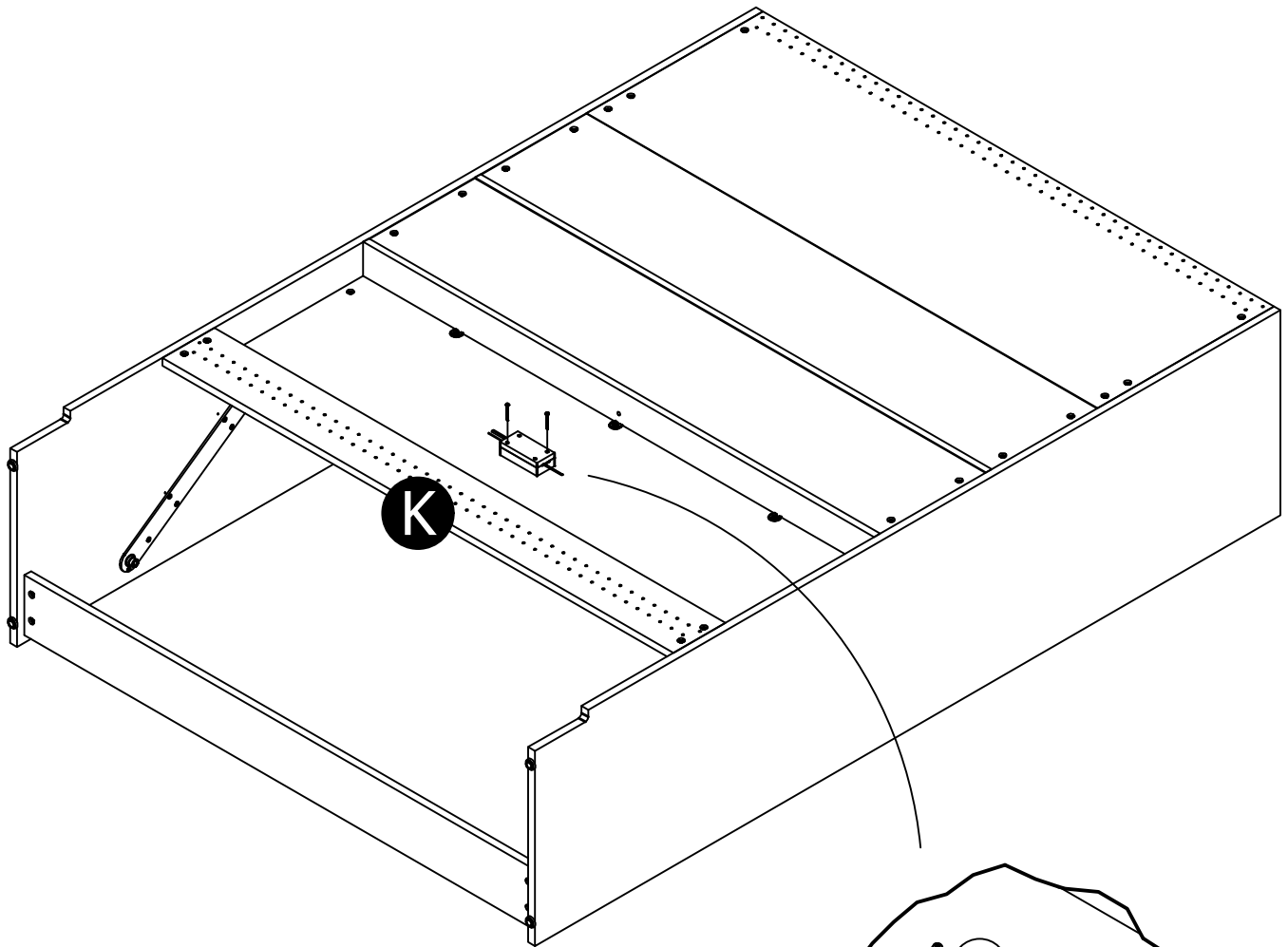
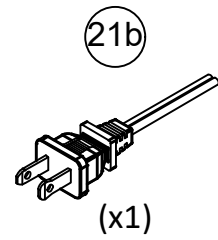
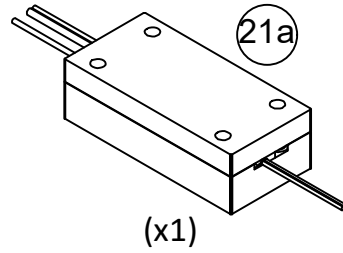
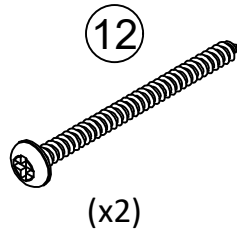
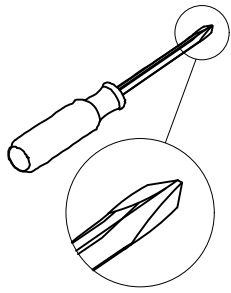
Open the package for the LED Light Kit. Everything will be assembled together. First, unclip the LED Light from the Light Plug as shown...



Second, you must disassemble the LED Light. Unscrew the cover off the base and then remove the lens piece. Place these pieces safely aside.



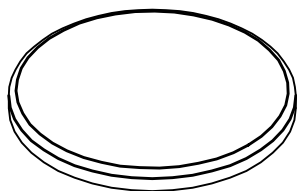
STEP 28



Place transformer (21a) in the location shown. Thread the power supply plug (21b) in front of the Bottom Stringer (K) if needed for power source.

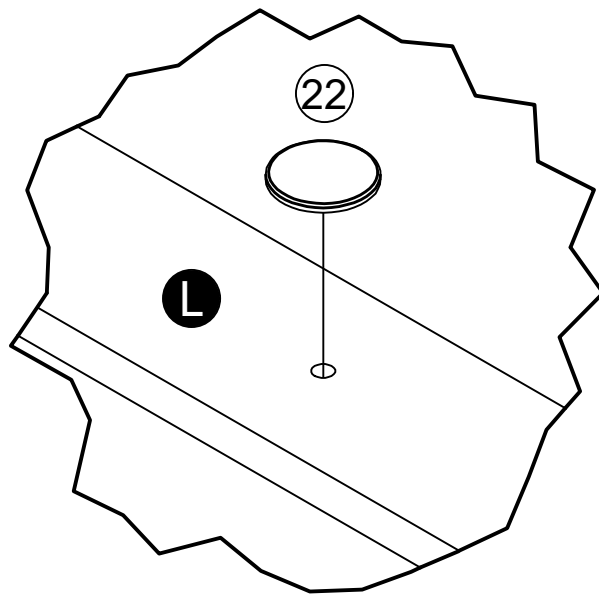
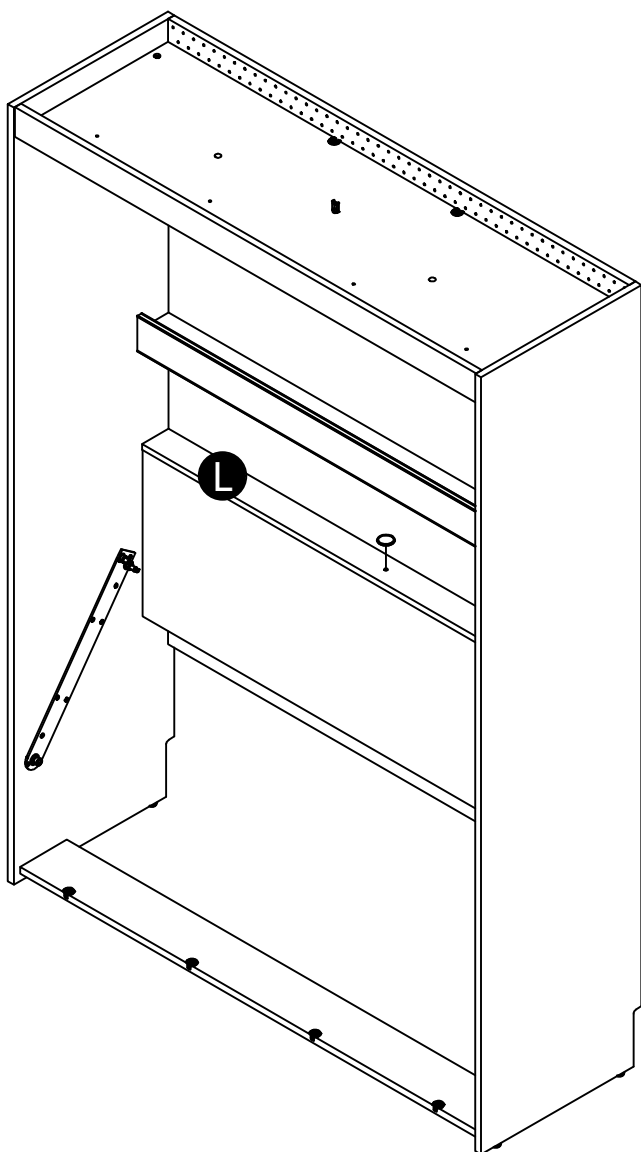
STEP 29

22

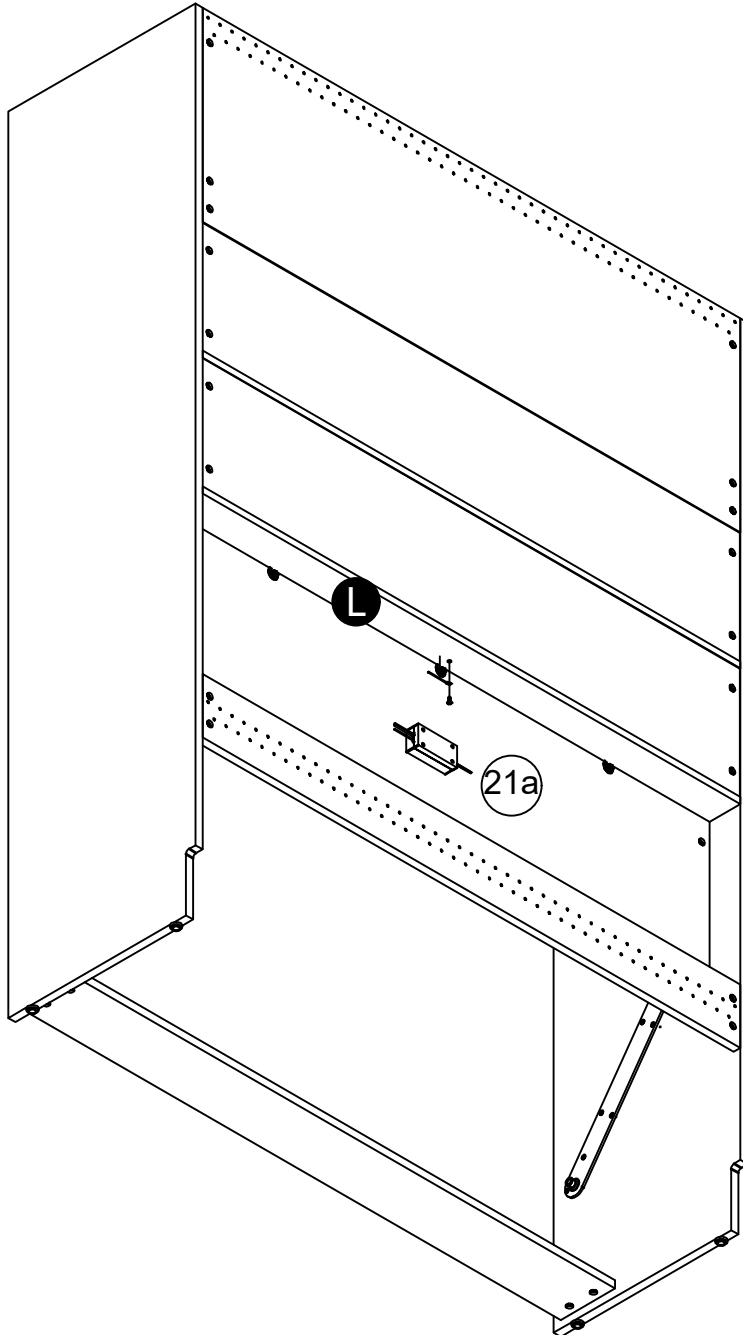
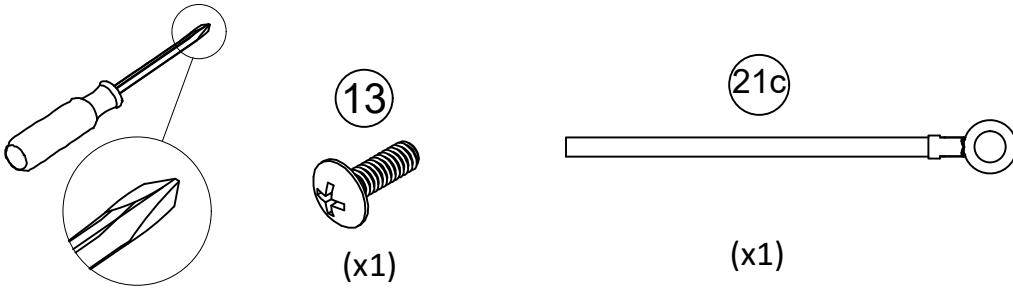


(x1)

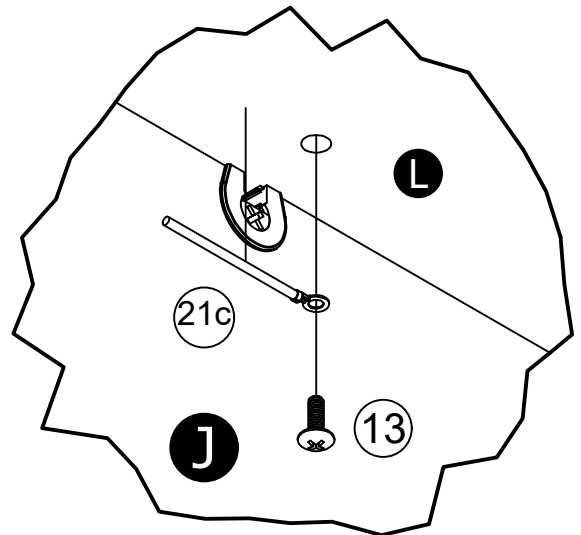
Stand the unit upright with the help of another person. During these steps, allow the other person to securely hold unit from tipping over. Place touch sensor disk (22) in location shown in Lower Shelf (L).



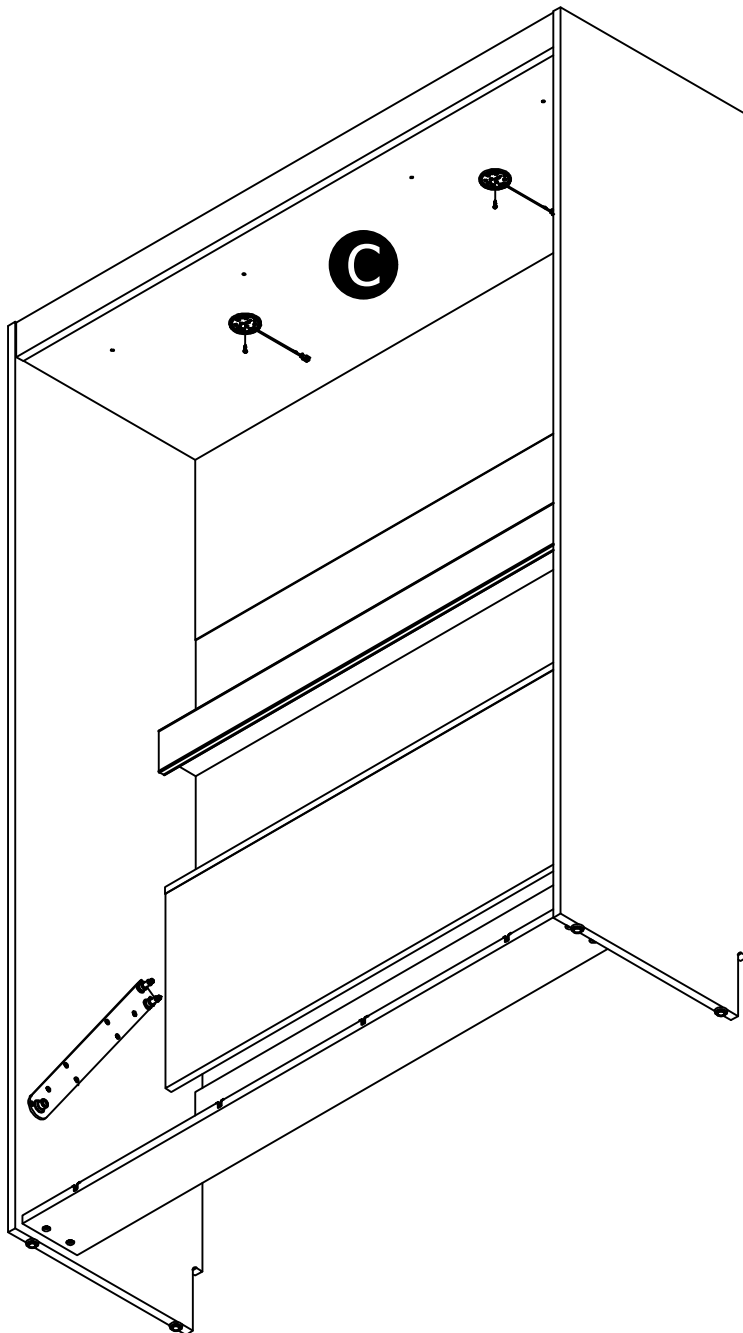
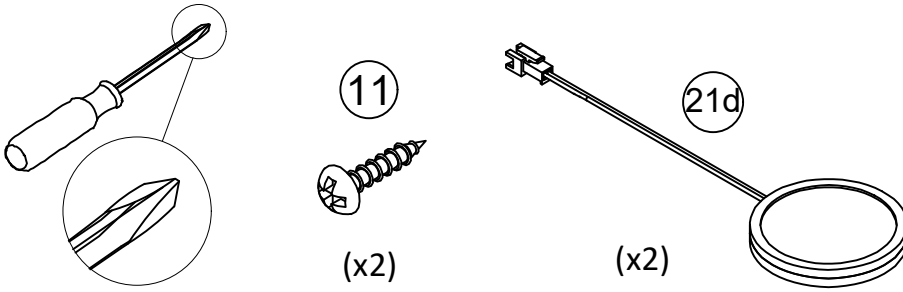
STEP 30



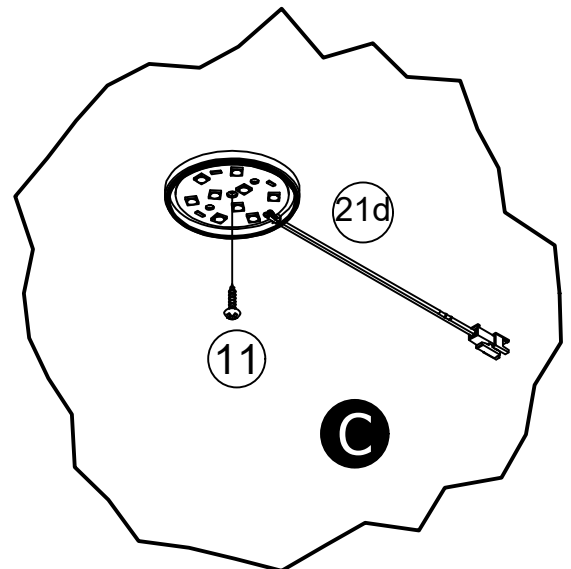
With the help of another person holding unit steady upright, take the Loop Sensor (21c) that is connected to the Transformer (21a) and place underneath Lower Shelf (L) at the hole location of the Touch Sensor Disk (22). Thread screw (13) through the Loop Sensor (21c) and screw into Touch Sensor Disk (22).



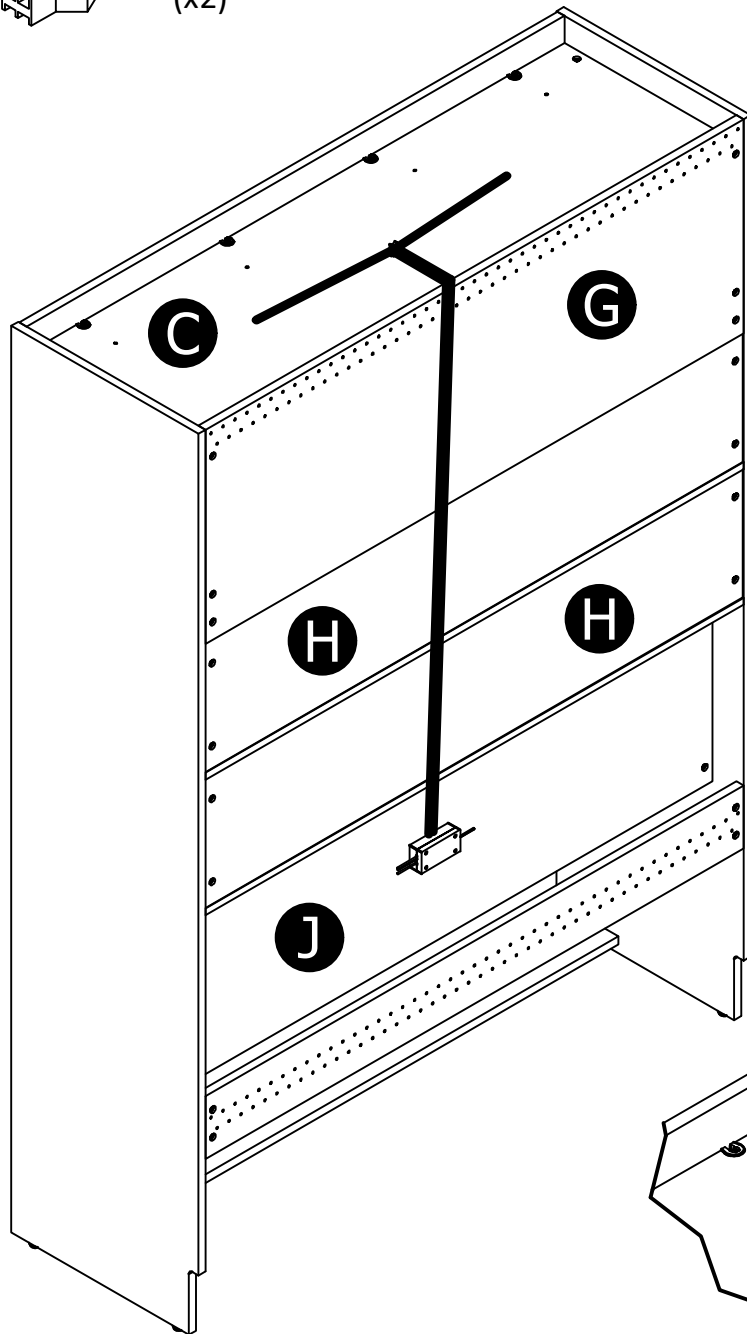
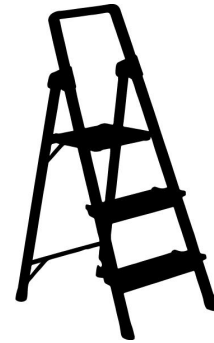
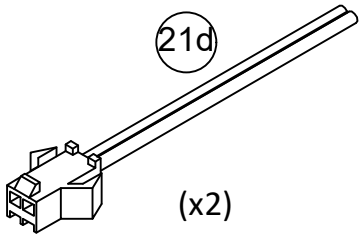
STEP 31



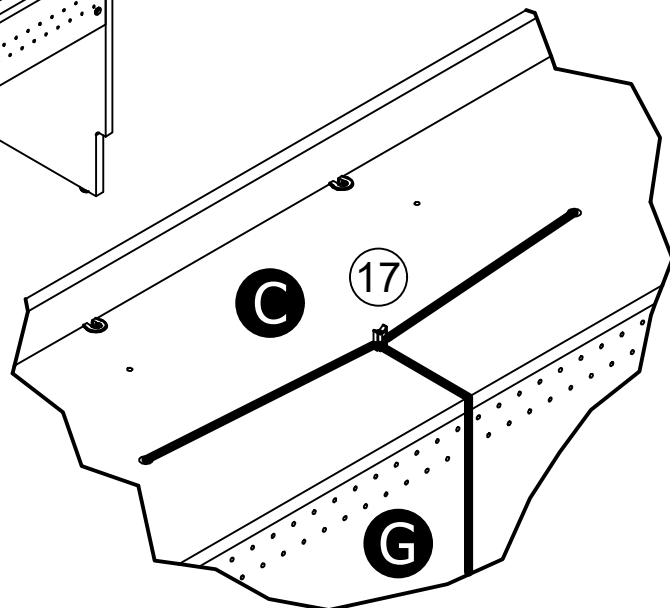
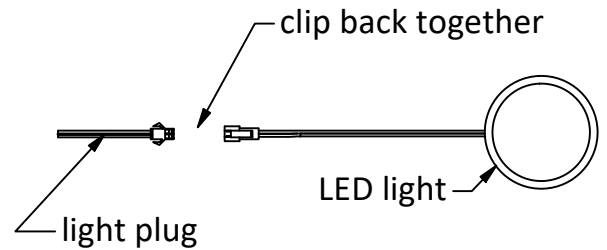
With the help of another person holding the unit steady upright, assemble disassembled LED lights (21d) to the Top (C) with screw (11). Thread the LED lights (21d) wires through the holes provided in Top (C) to allow the wires on top of Top (C).



STEP 32



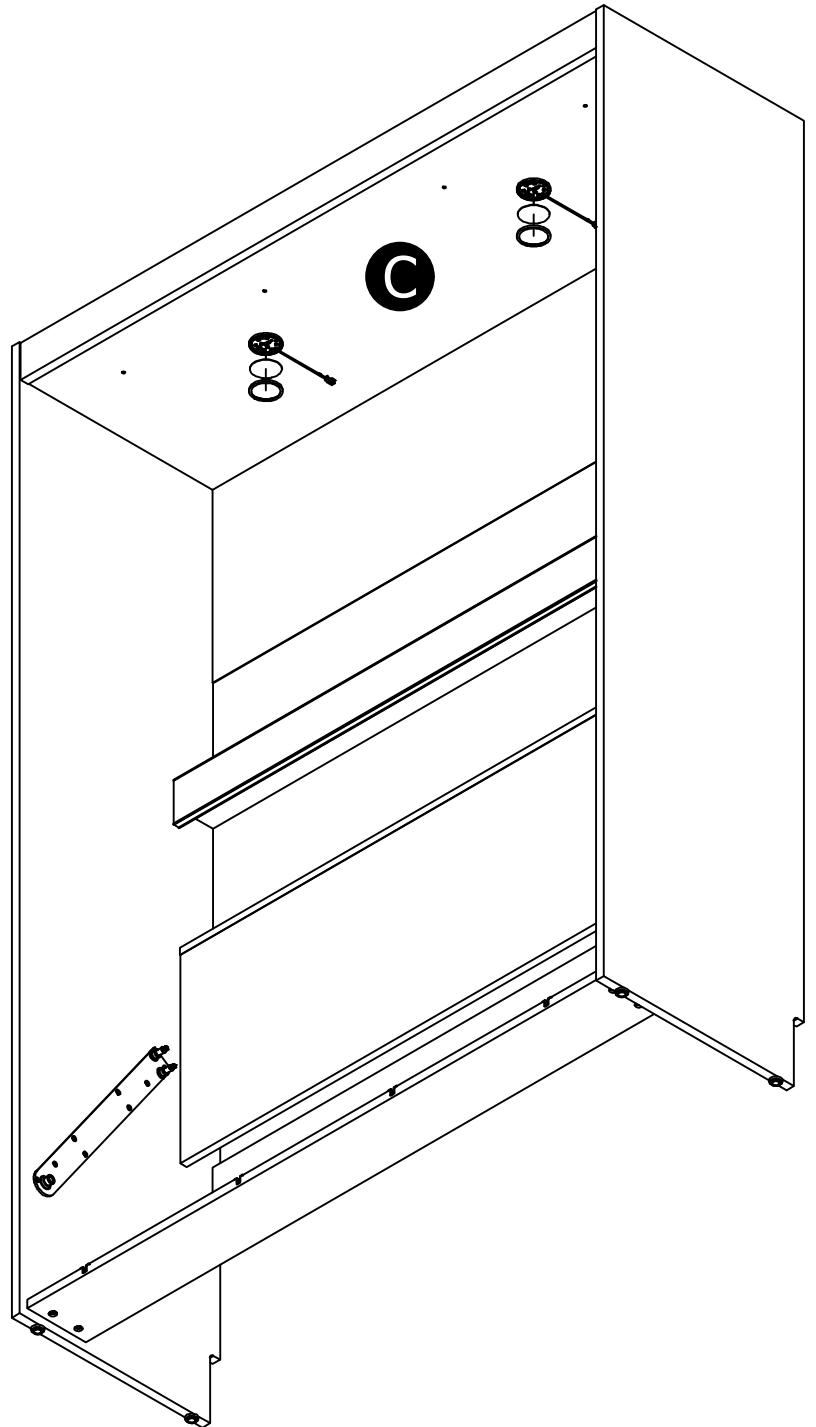
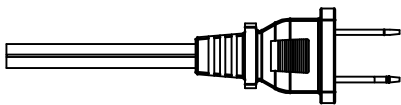
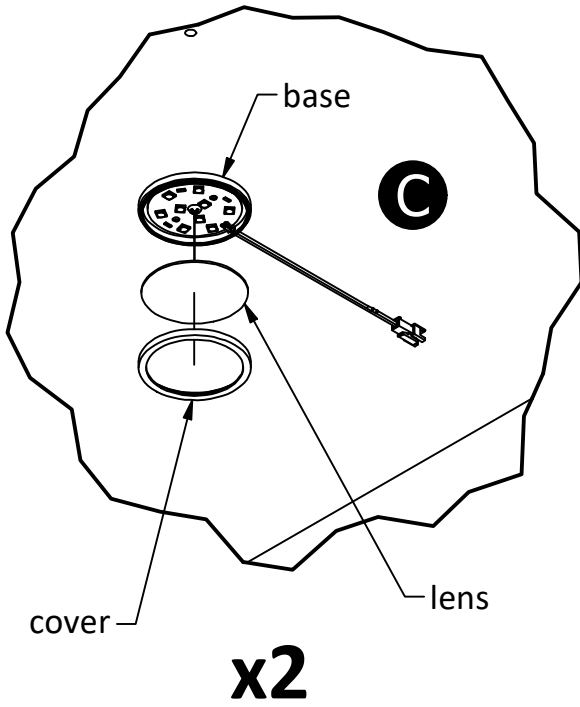
With the help of another person holding the unit upright steady, feed the LED light wires through the wire saddle (17) in the Top (C). Pull wires behind the back of the unit. Clip the Light Plugs (21d) (that is fixated into the transformer (21a)) back into the LED light wires.



STEP 33

Assemble the LED lights back together. First placing the lens into the base and then screwing the cover back to the base as shown below.

Adjust any wires necessary as needed. Assure the Power Supply Plug is threaded where the attended power outlet is located. Place against the wall. Plug into outlet and assure the LED Light and Touch Sensor Disk are working properly.



**The next steps are to attach your unit to the wall.
Wall attachment steps will cover pages 44-52.**



The following steps are required to be completed by a professional. The second person may assist by holding the cabinet in position while the professional completes alignment, leveling and installation steps.

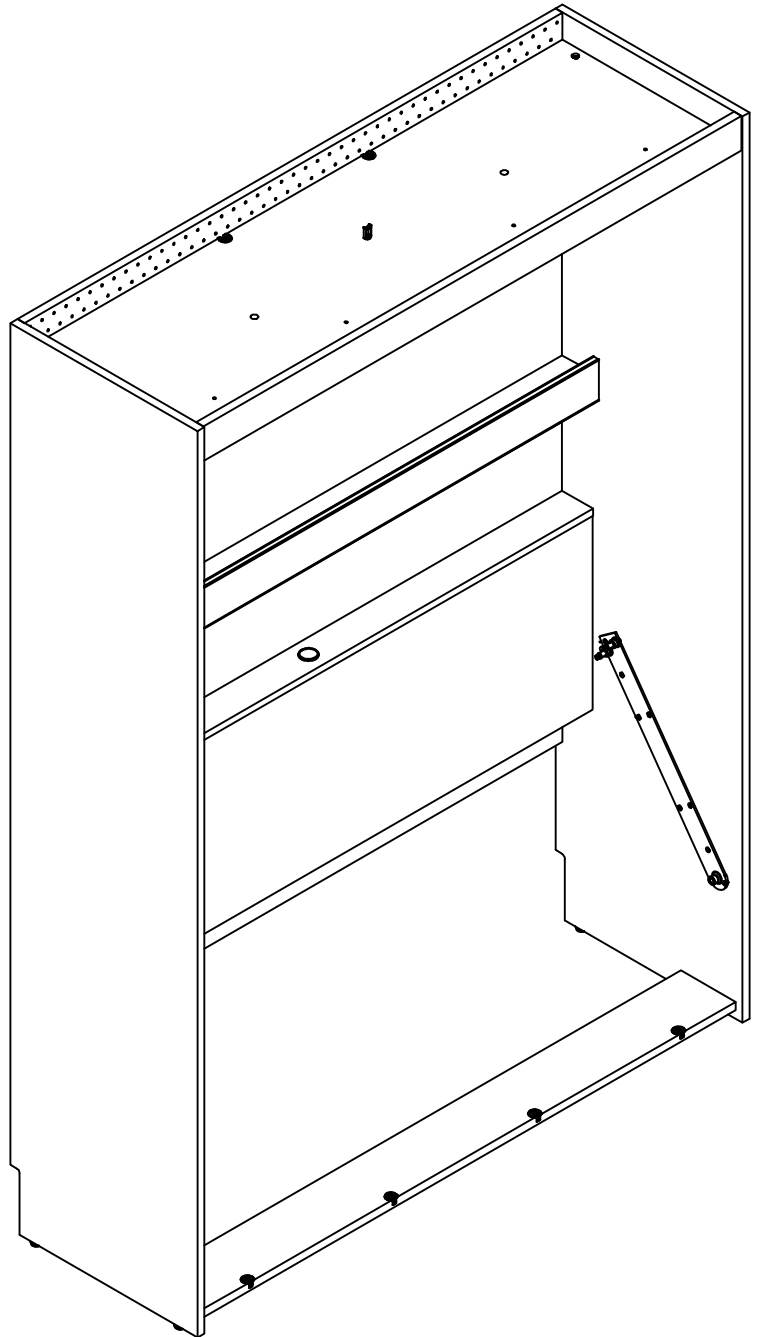
- Unit **MUST** be square (height, width, and depth) to function properly
- Unit **MUST** be placed flush against the wall
- Unit **MUST** be screwed into **3 DIFFERENT** wall studs at the top and bottom for safety
- Professional must select the appropriate hardware to use to install the unit to the wall structure. Hardware provided includes options for wood studs, metal studs and concrete
- **DO NOT** use wall anchors to install your unit to the wall

This product is not intended to be moved, modified, uninstalled or disassembled once professionally installed. Select your installation location carefully with the help of the professional.

STEP 34

Carefully, place your unit **FLUSH** against the wall.

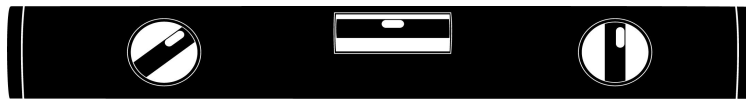
There are notches provided at the back of your unit. These notches are to fit around the baseboard on your wall. If your baseboard is higher or thicker than the notches provided on the unit, you will need to remove the baseboard, cut it down to fit on both sides of your unit, then refasten to the wall.



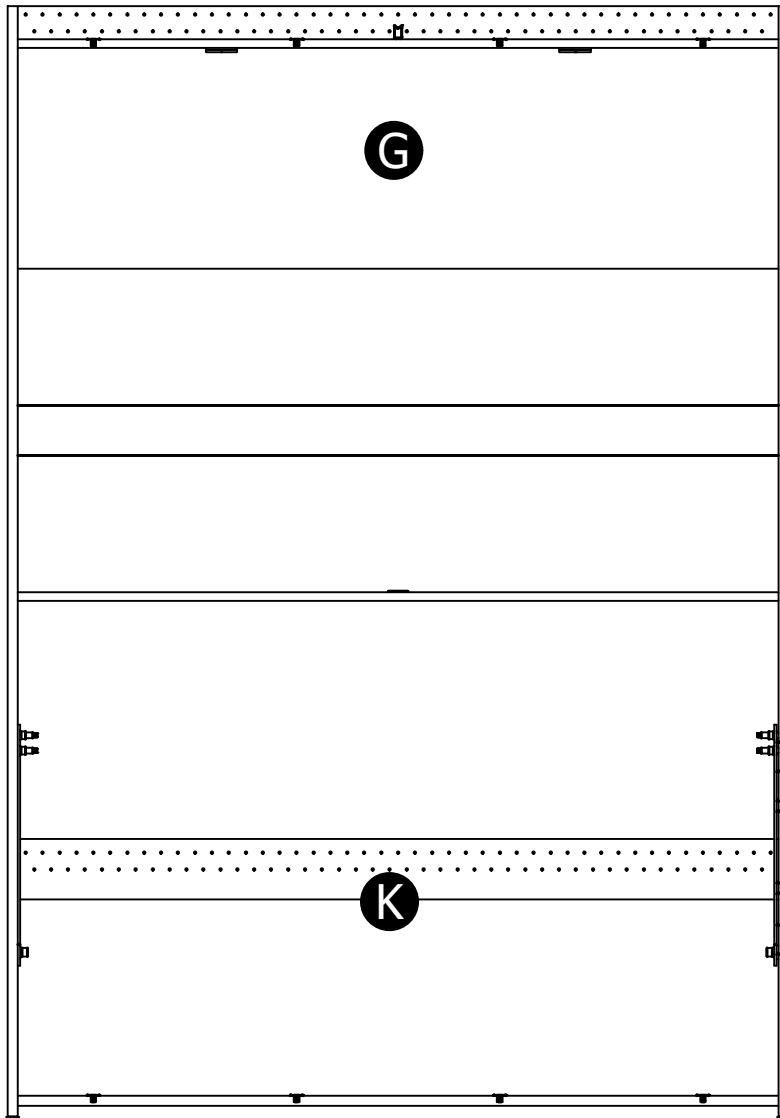
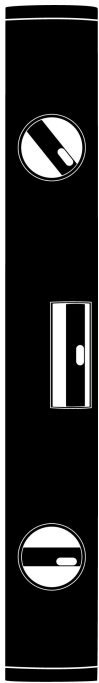
STEP 35

Using a level, be sure the unit is square (height, width, and depth) to function properly.

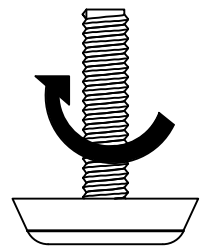
Please note on the following steps: The Valance (E) has been removed to better show the holes in the Upper Back Panel (G).



**A ladder will be required.
Do not lean against the top
of the unit, it may cause
sagging**

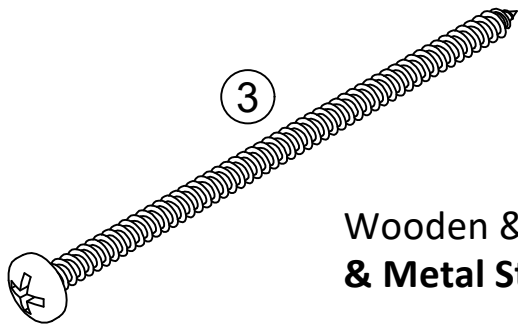


If required, unscrew the Glides counterclockwise as necessary in all 4 corners until your unit is level in all directions

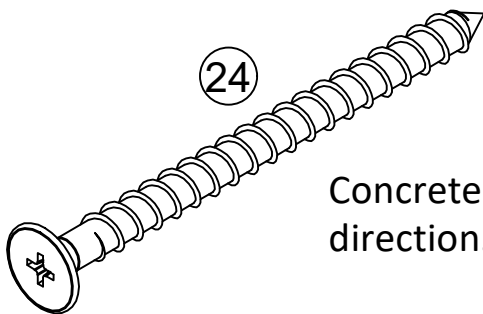


What type of wall do you have?

For Steps 36 & 37 you will need to choose between two types of screws to use based on the type of wall you are installing this product to.



Wooden & Metal Studs - **Follow Steps 36 & 37- Wooden & Metal Studs** pages for direction. **Pages 47 & 48.**



Concrete - **Follow Steps 36 & 37 - Concrete** page for direction. **Pages 50 & 51.**

STEP 36 - Wooden & Metal Studs

Locate at least 3 DIFFERENT studs, in the horizontal direction, but 4 is better.

Locate the studs in the wall, using a stud finder.

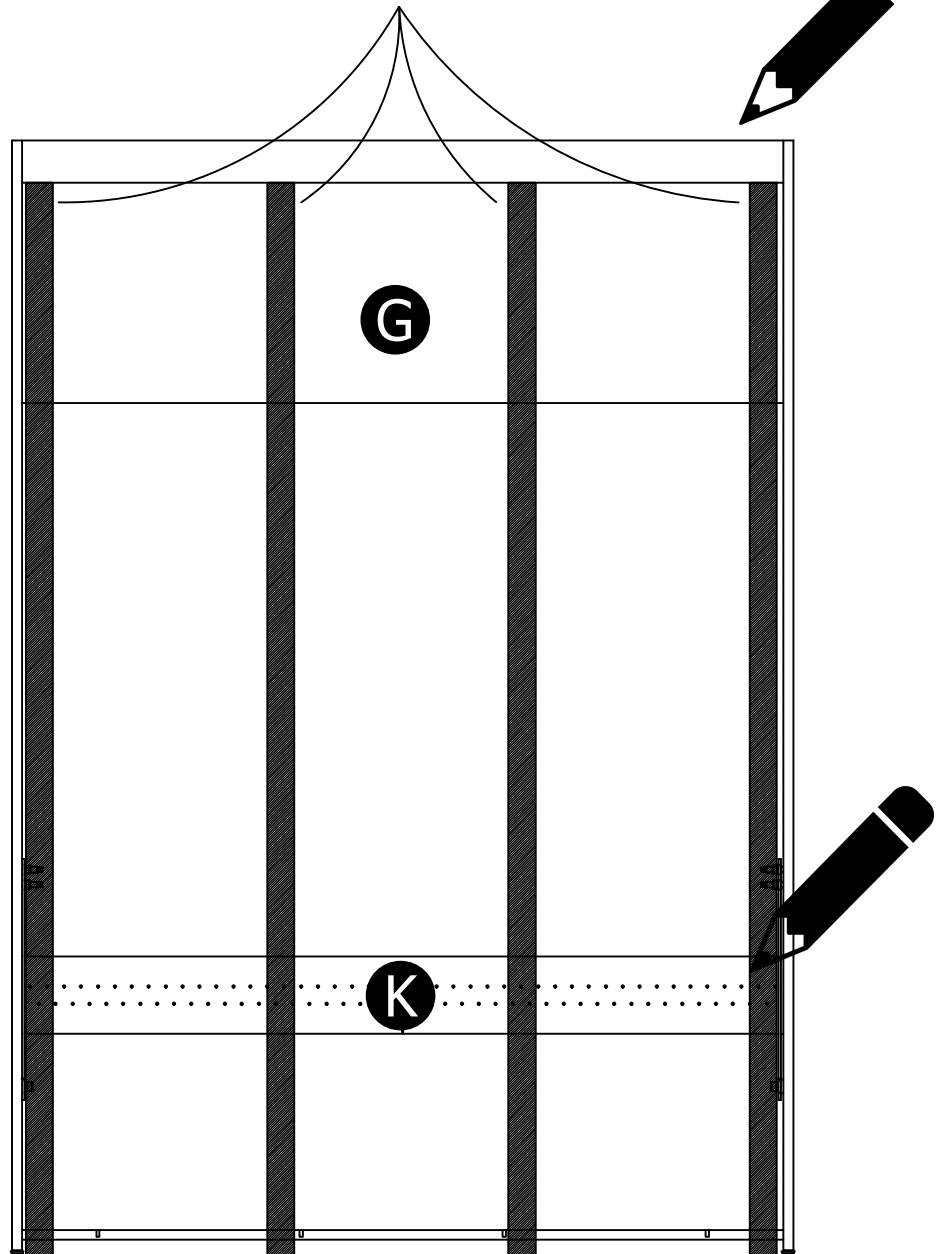
Using a pencil, mark the stud locations on the upper surface of the Upper Back Panel (G) where the predrilled holes are provided.

Using a level, carry the stud locations down to the Bottom Stringer (K), and with a pencil, mark the stud locations where the predrilled holes are provided.

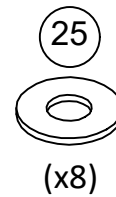
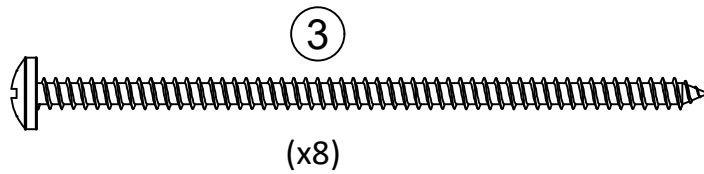
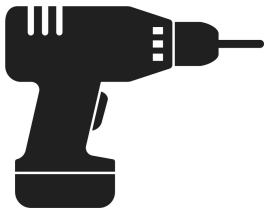


A ladder will be required. Do not lean against the top of the unit, it may cause sagging

Average distance between studs (16")
Wall Studs

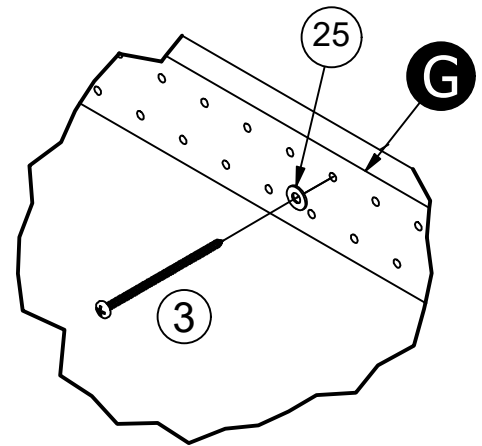
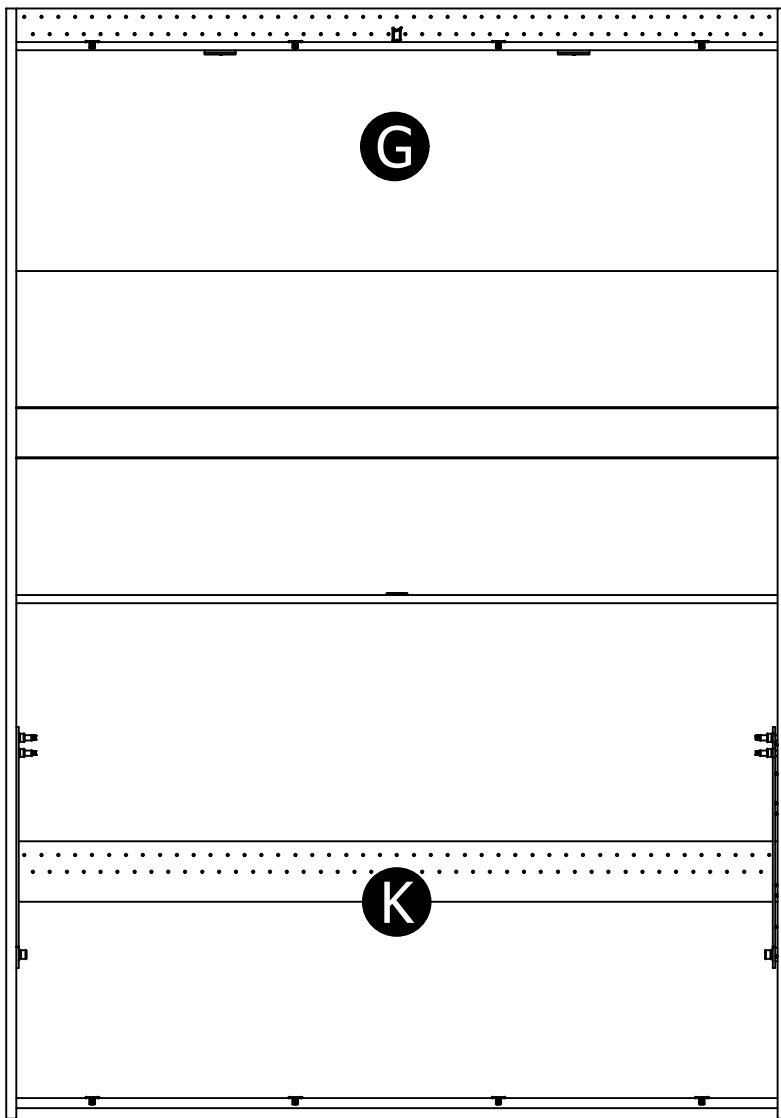


STEP 37 - Wooden & Metal Studs



First, make sure that your unit is still level in all directions.

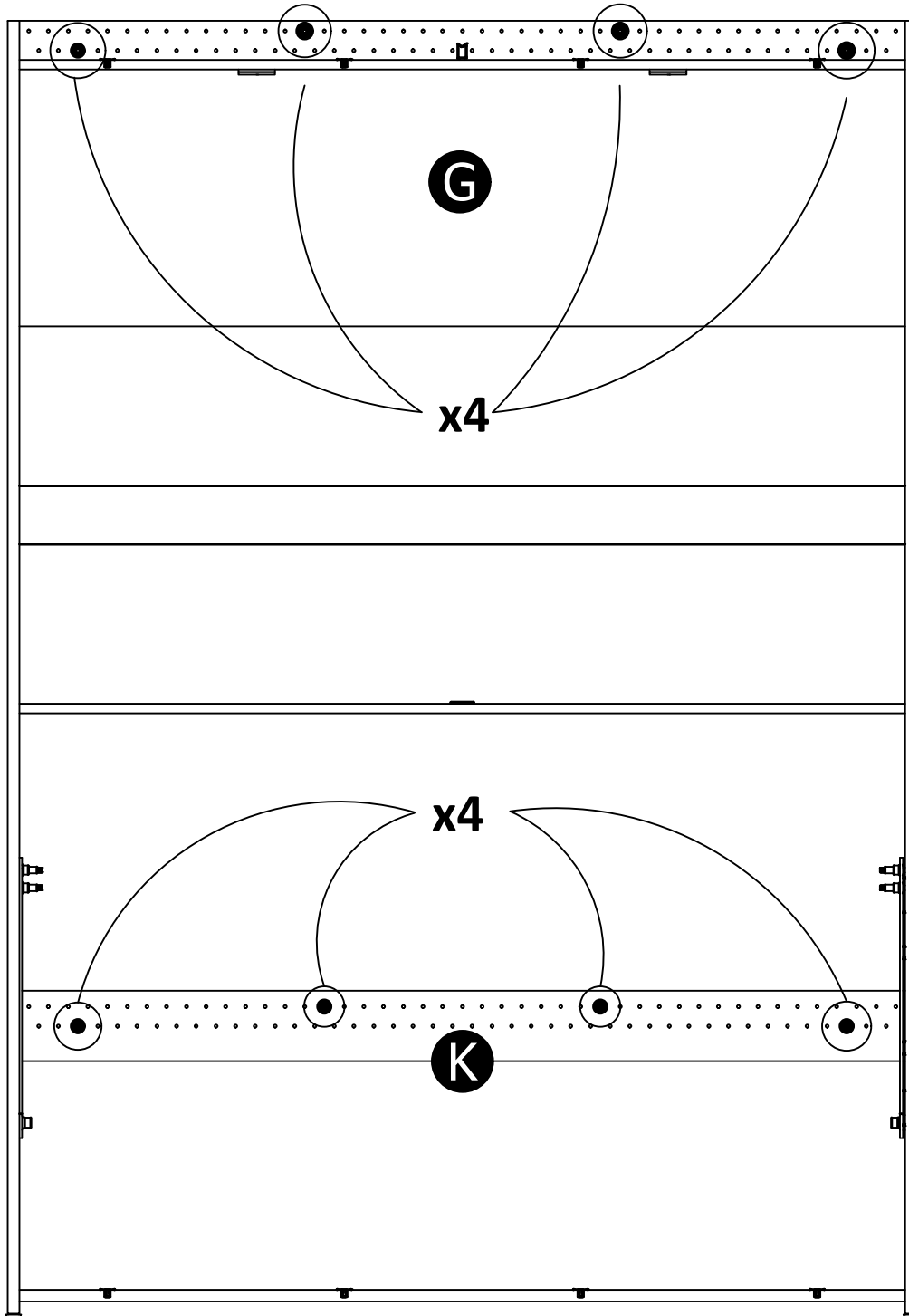
As shown in the view to the right, fasten the unit to the wall studs with screw (3) and washer (25). The view shows the Upper Back Panel (G) but do the same for Bottom Stringer (K). **You must screw at least 3 screws into 3 different wall studs, in the horizontal direction, but 4 is better on part G & part K.**



**A ladder will be required.
Do not lean against the top
of the unit, it may cause
sagging**

STEP 37 continued...

Example of 4 screws being placed horizontally in wall studs on part G and part K.
Please note this is just an example - all wall stud distances are different.



STEP 36 - Concrete

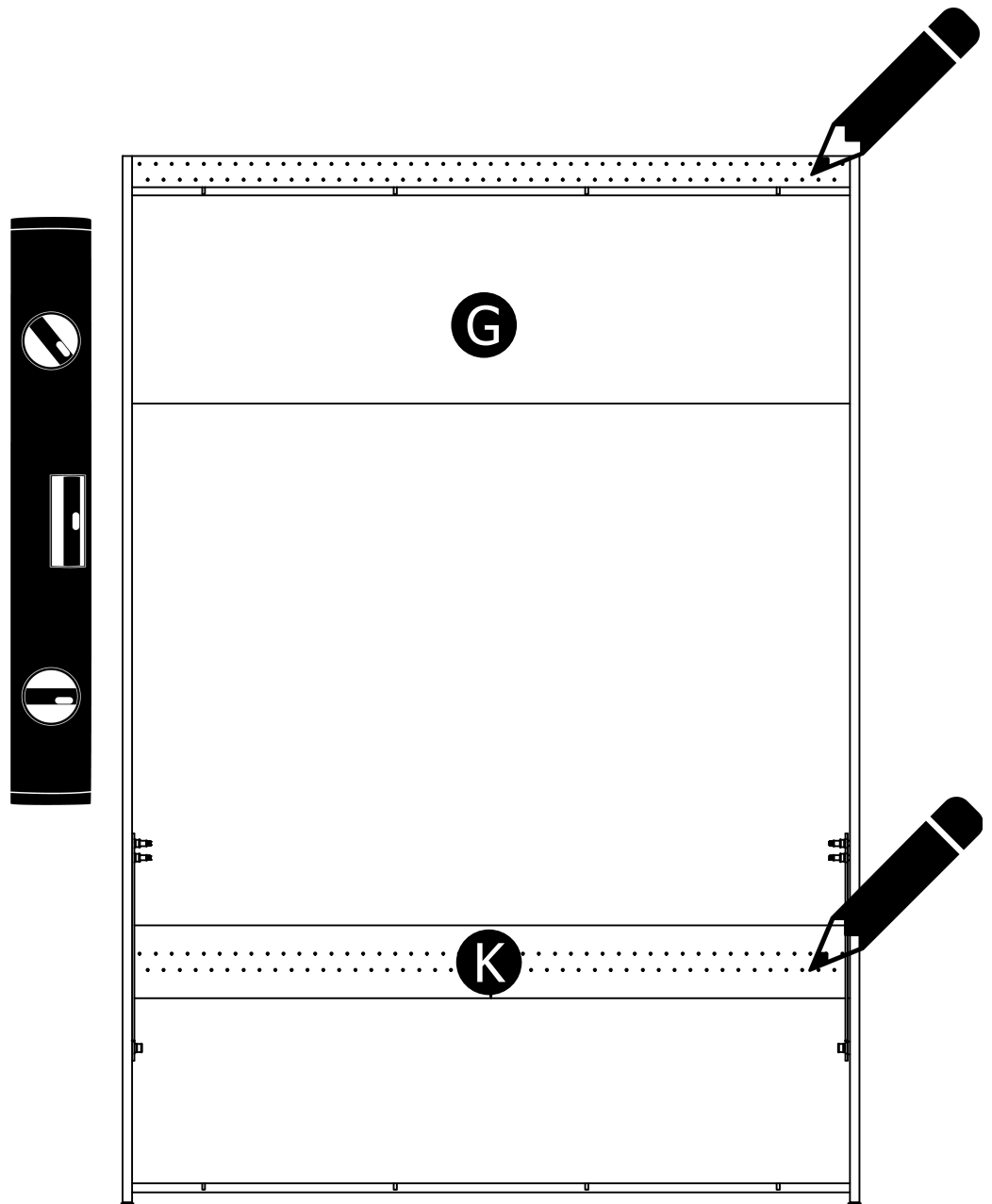
Choose 4 horizontal predrilled holes equally across the Upper Back Panel (G). Carry and use the same predrilled holes down to the Bottom Stringer (K).

Using a pencil, mark the locations on the upper surface of the Upper Back Panel (G) where the predrilled holes are provided.

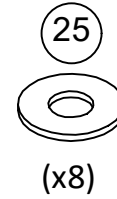
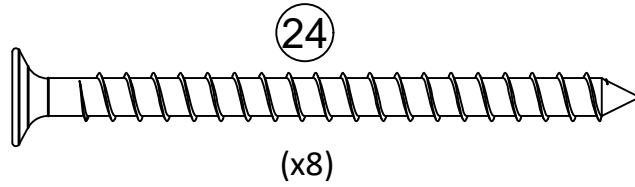
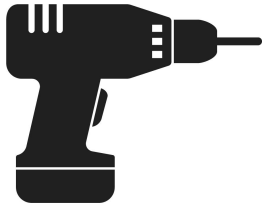
Using a level, carry the locations down to the Bottom Stringer (K), and with a pencil, mark the locations where the predrilled holes are provided.



**A ladder will be required.
Do not lean against the top
of the unit, it may cause
sagging**

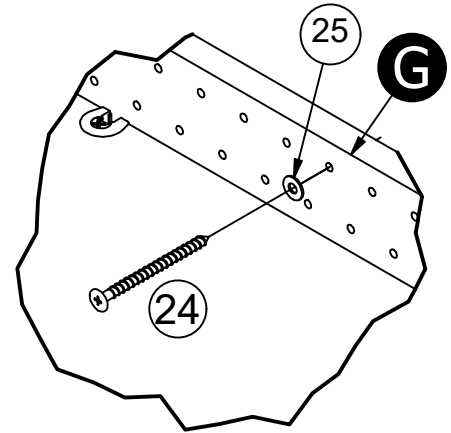
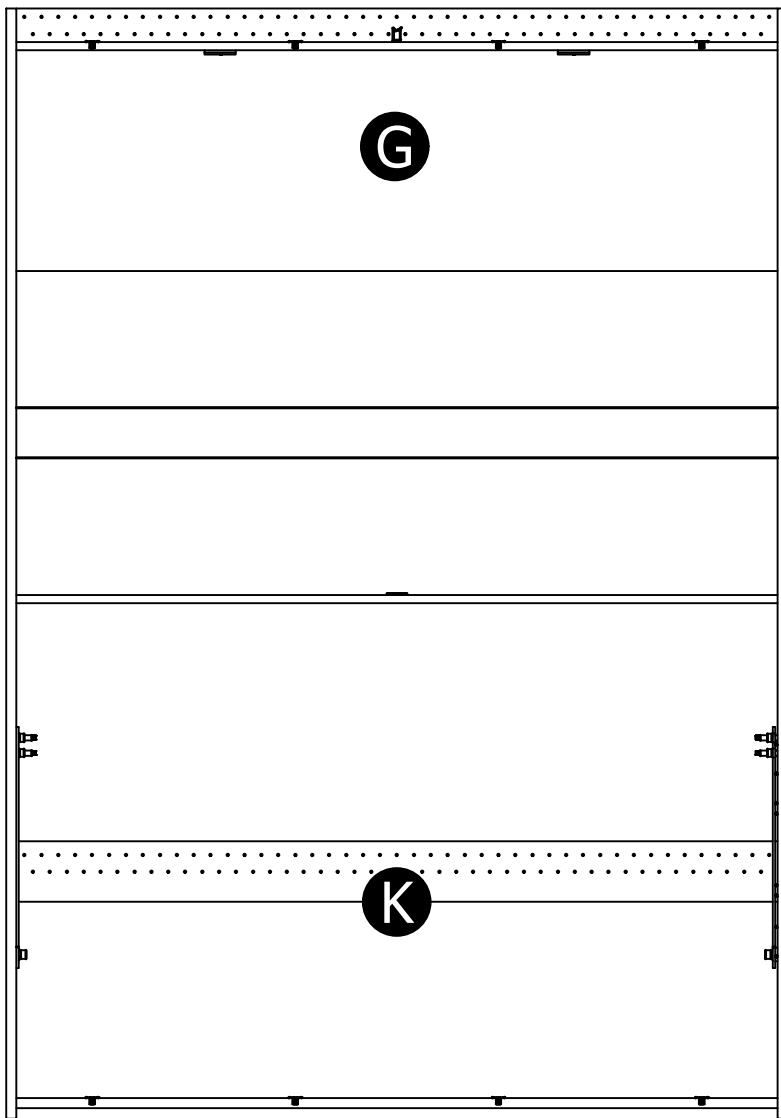


STEP 37 - Concrete



First, make sure that your unit is still level in all directions.

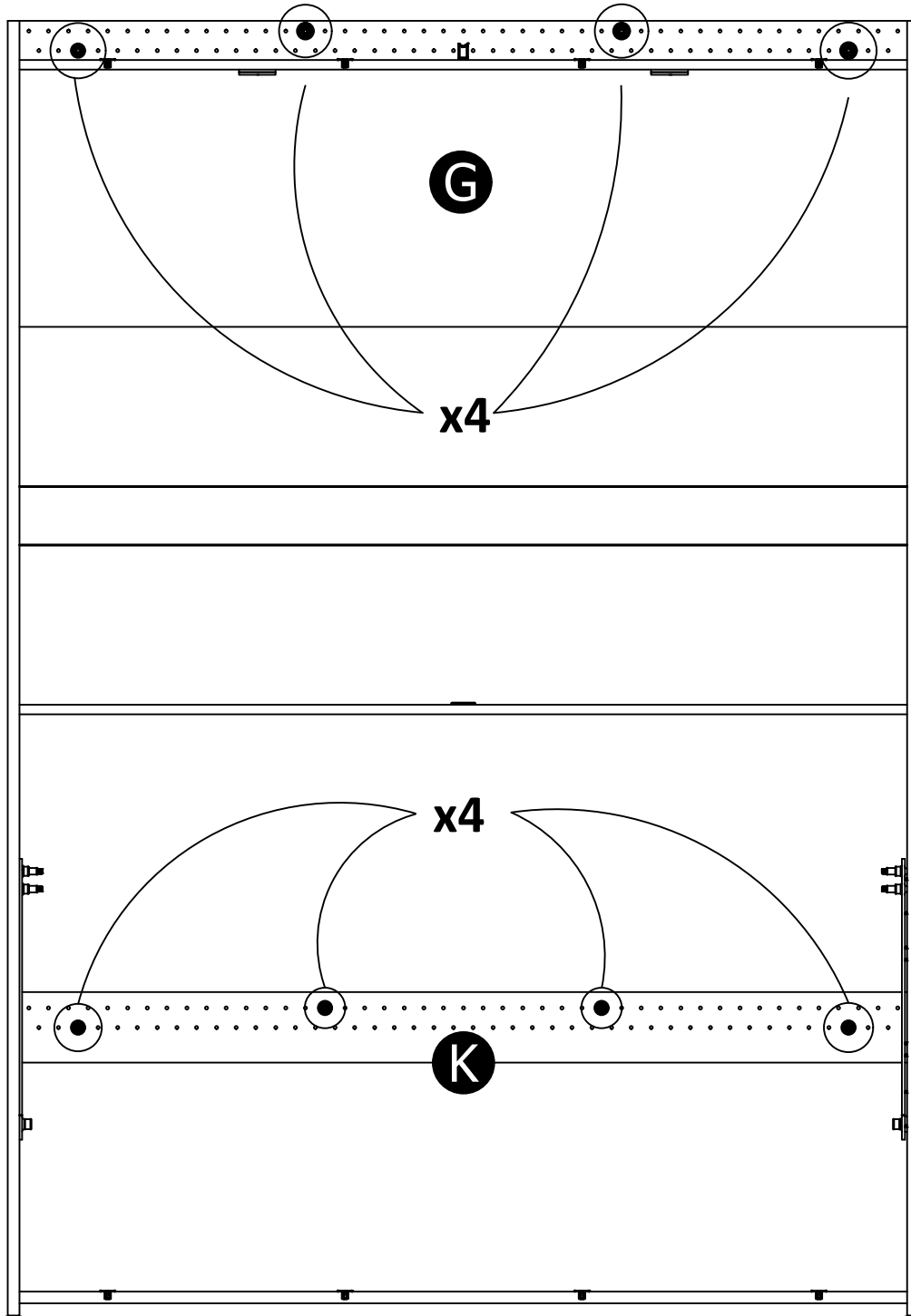
As shown in the view to the right, fasten the unit to the concrete wall with screw (24) and washer (25). The view shows the Upper Back Panel (G) but do the same for Bottom Stringer (K). You must screw at least 3 screws into 3 different locations, in the horizontal direction, but 4 is better on part G & part K.



**A ladder will be required.
Do not lean against the top
of the unit, it may cause
sagging**

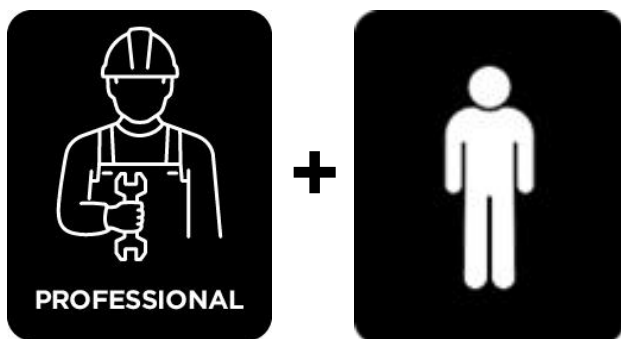
STEP 37 continued...

Example of 4 screws being placed horizontally in wall studs on part G and part K.
Please note this is just an example - all wall stud distances are different.

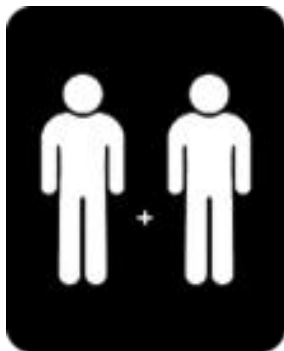


Part 2 - Assembly

The next steps are to assemble the metal bed frame mechanism and door panels. Assembly steps will cover pages 54-67.



OR



As mentioned on page 2: Choose one of the two options below...

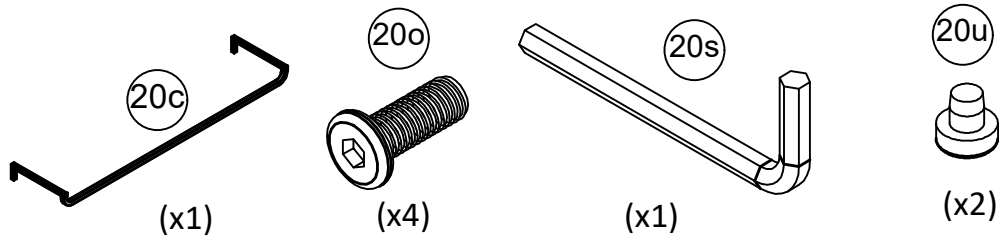
- You may continue to use the Professional and a second person, or
- Use two people who have experience assembling ready to assemble furniture.

Two people are required for:

- lifting and securing bed pieces together with hardware

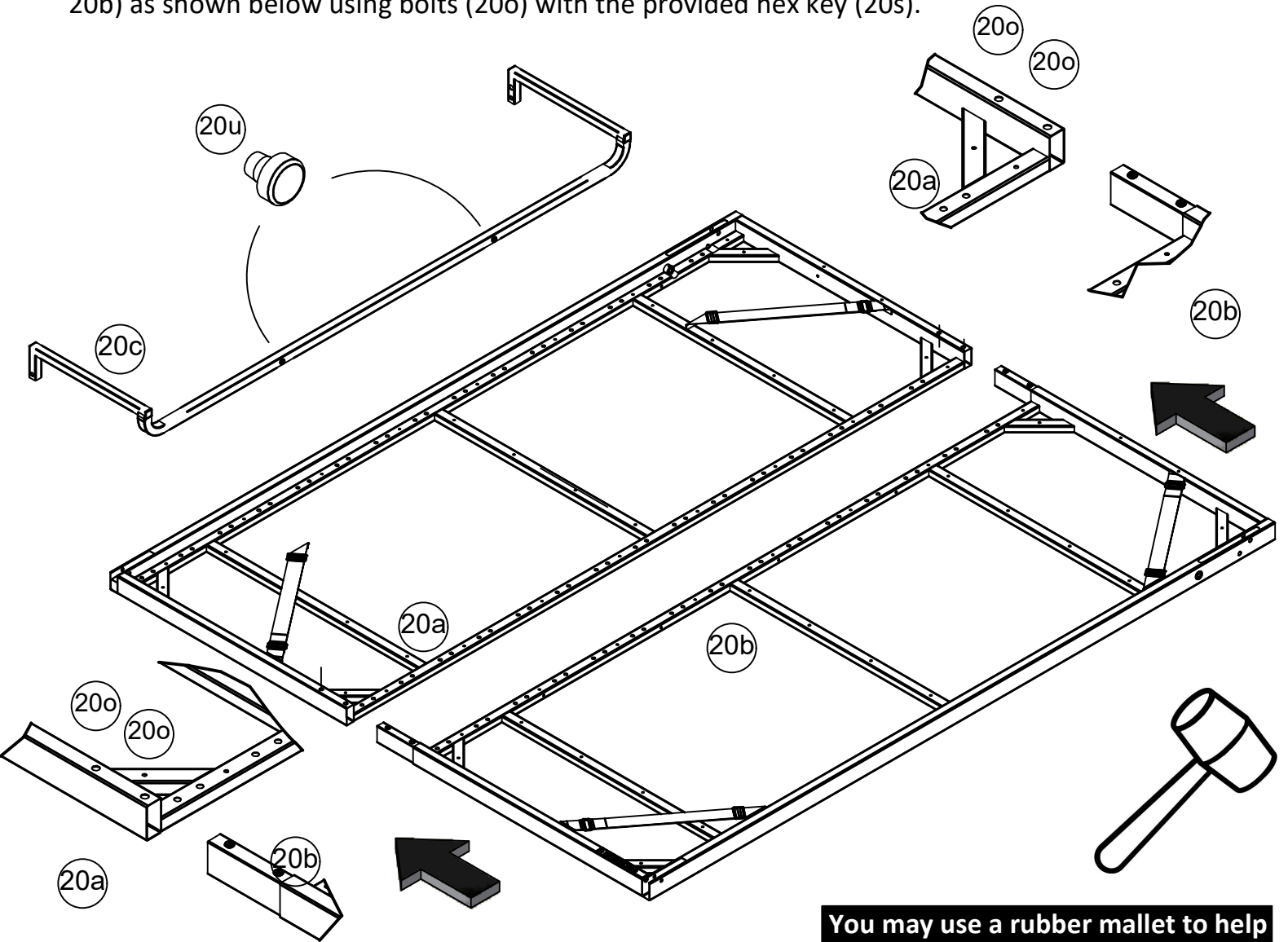
These parts are in the #3678096COM Wall Bed Mechanism Carton

STEP 38



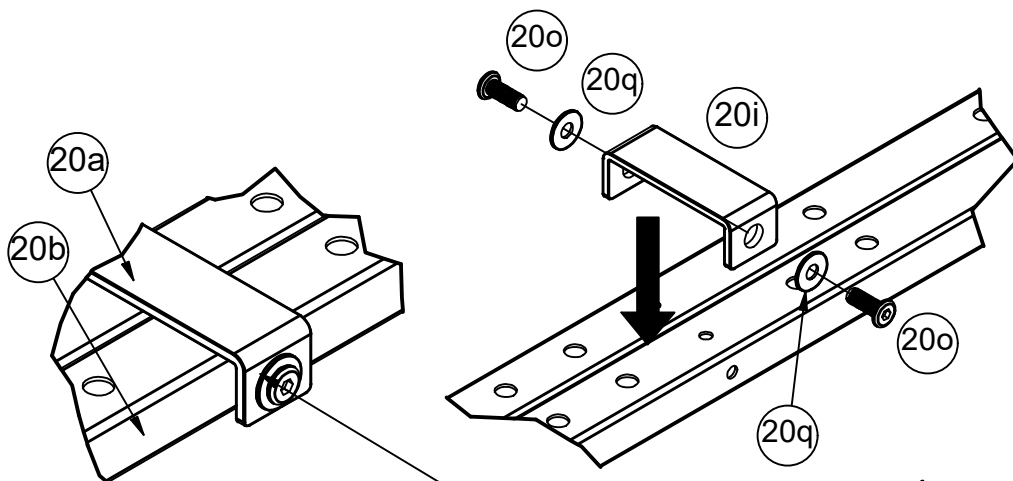
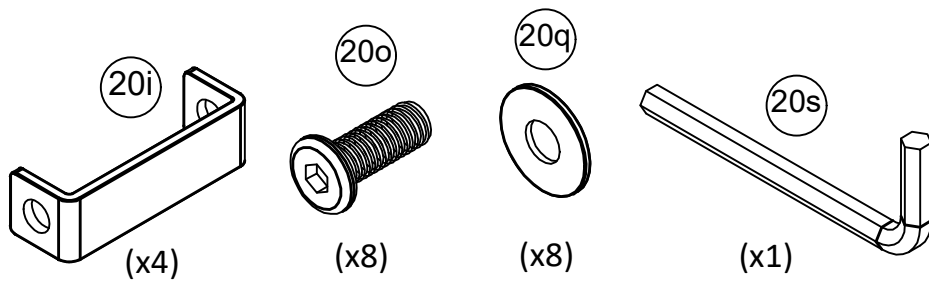
First, press each rubber foot (20u) into each hole in the Leg (20c) as shown below.

Then, join and assemble the Left & Right bed frame assemblies (20a & 20b) as shown below using bolts (20o) with the provided hex key (20s).

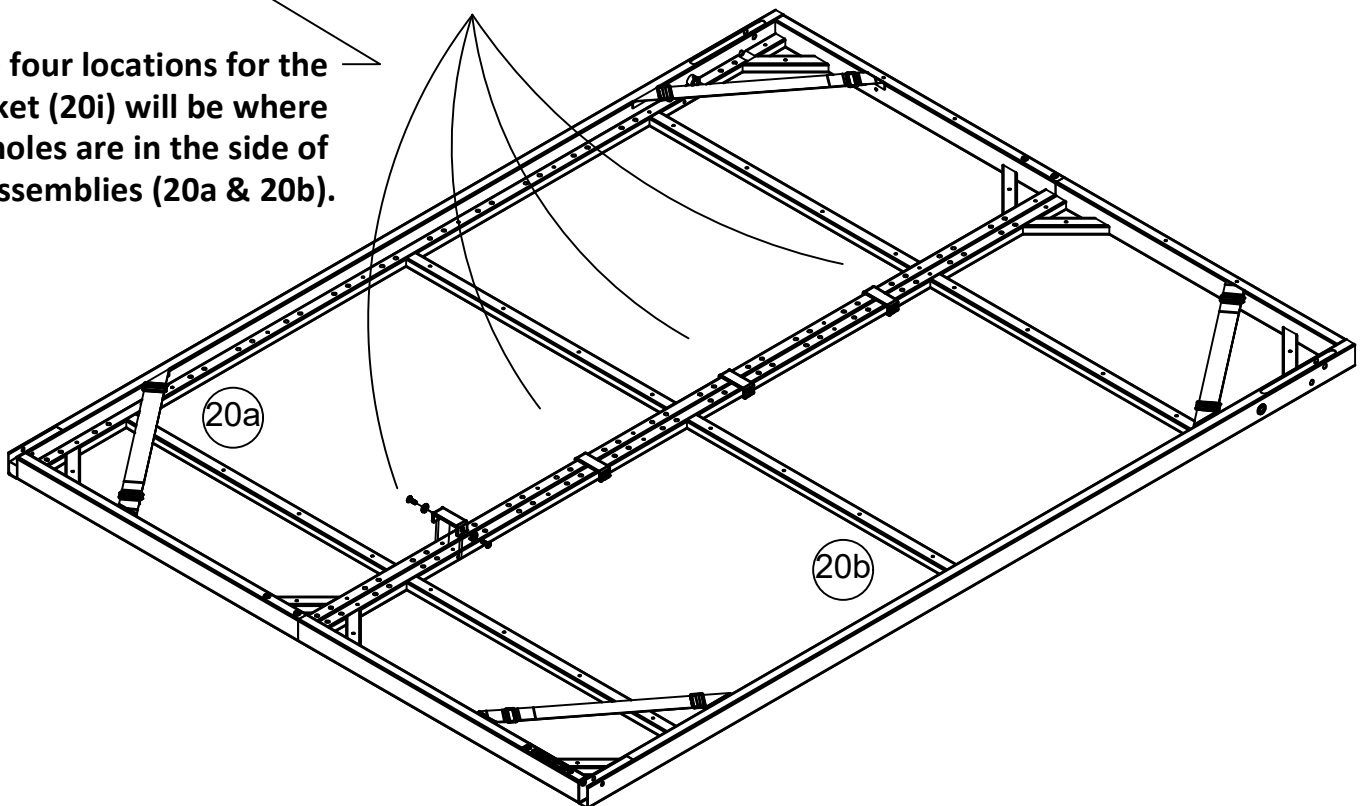


You may use a rubber mallet to help join the two frame assemblies.

STEP 39



The four locations for the U-Bracket (20i) will be where the holes are in the side of frame assemblies (20a & 20b).

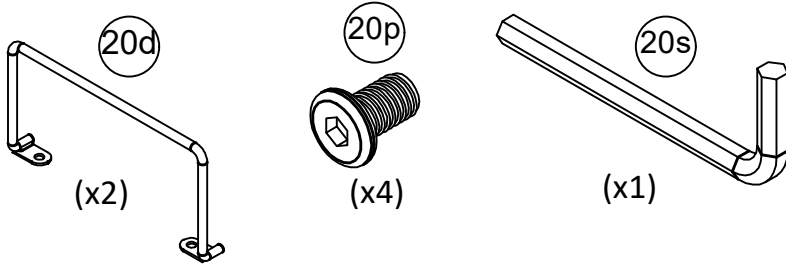


Place the four U-Brackets (20i) in the locations.

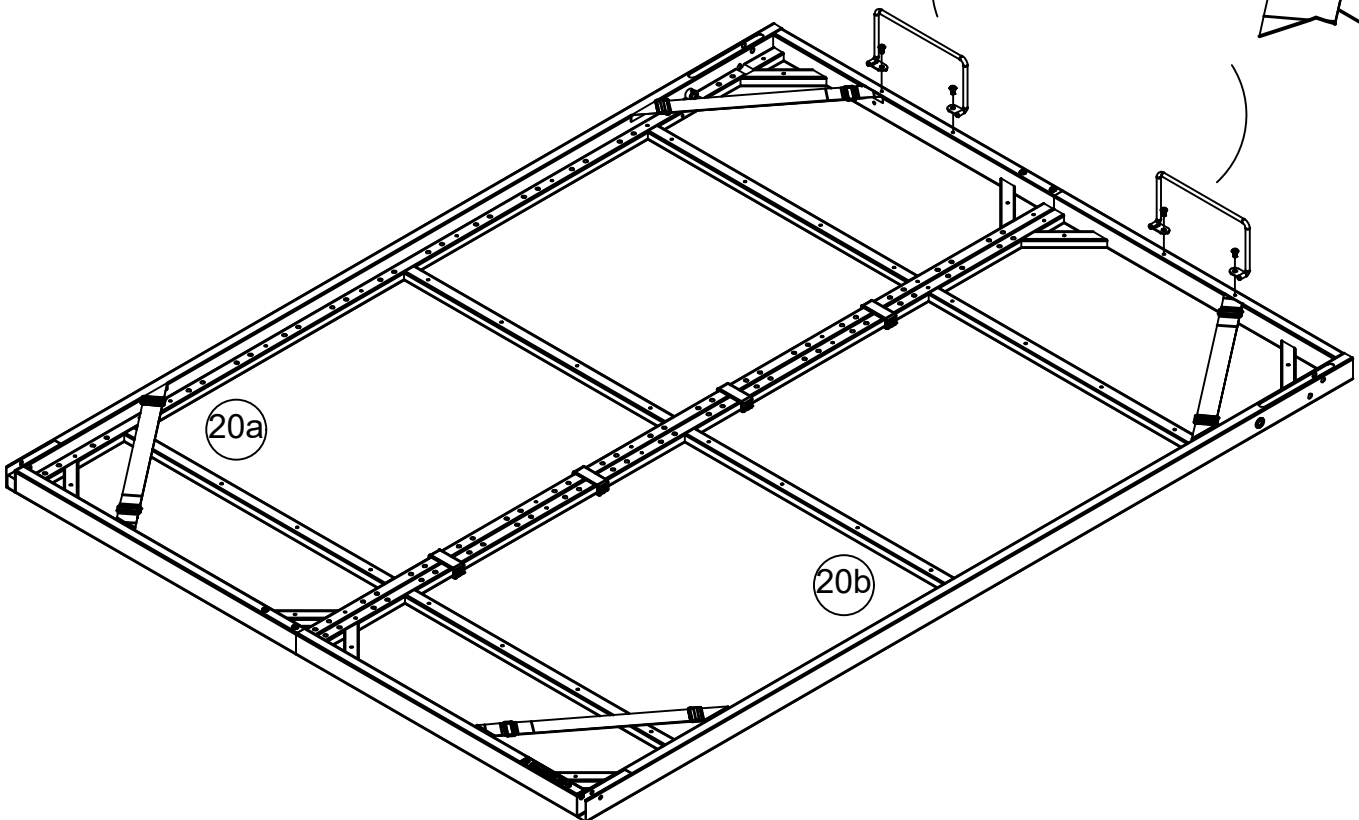
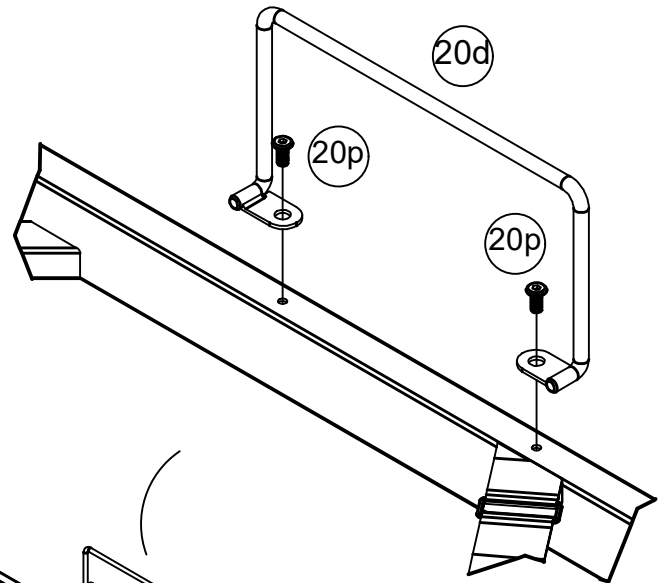
Use the bolts (20o) and washers (20q) to assemble the U-Brackets (20i) to the joined bed frame assemblies (20a & 20b) as shown.

Use the provided hex key (20s) to assemble.

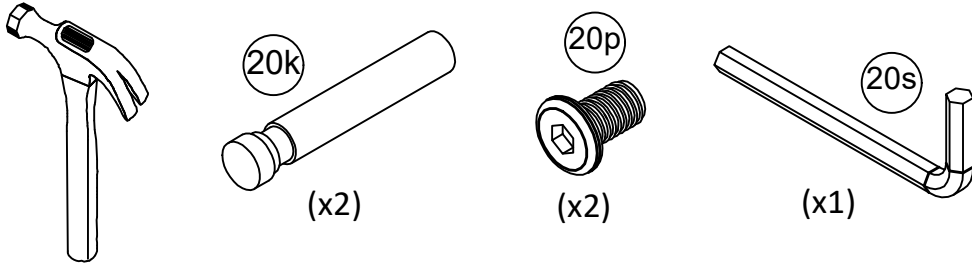
STEP 40



Assemble the mattress holders (20d) to the frame assemblies (20a & 20b) with bolts (20p) as shown to the right. Use the provided hex key (20s) to assemble.

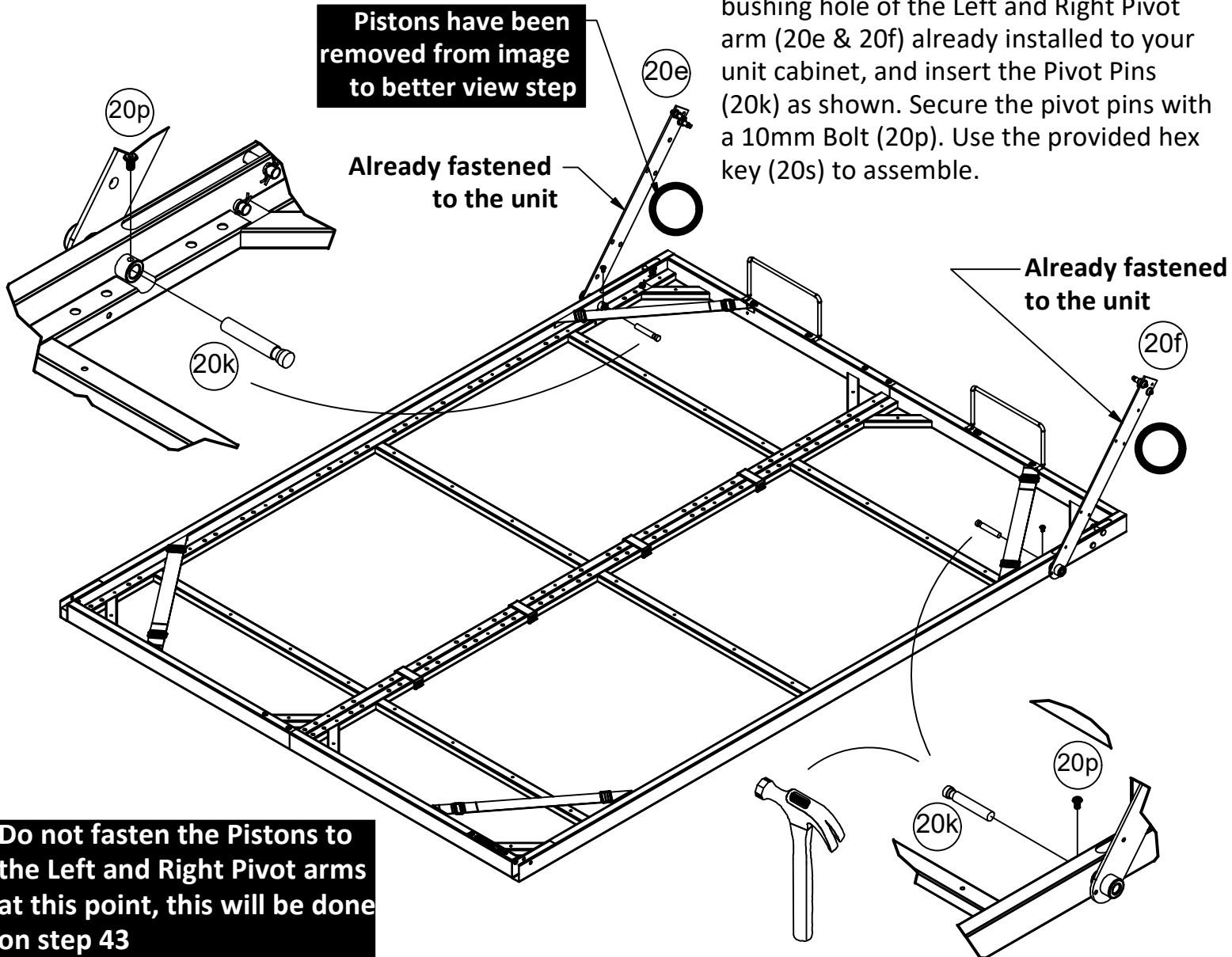


STEP 42

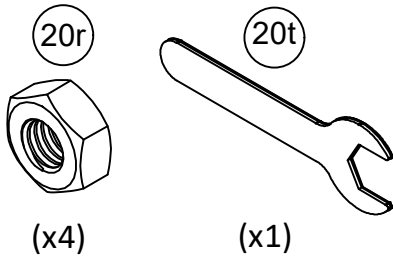


The cabinet is not shown to allow a clear view of the bed frame assembly

With a person on each side, lift the bed assembled bed frame, line up the holes of the frame assembly with the large bushing hole of the Left and Right Pivot arm (20e & 20f) already installed to your unit cabinet, and insert the Pivot Pins (20k) as shown. Secure the pivot pins with a 10mm Bolt (20p). Use the provided hex key (20s) to assemble.



STEP 43



Critical Step... Please read directions carefully!

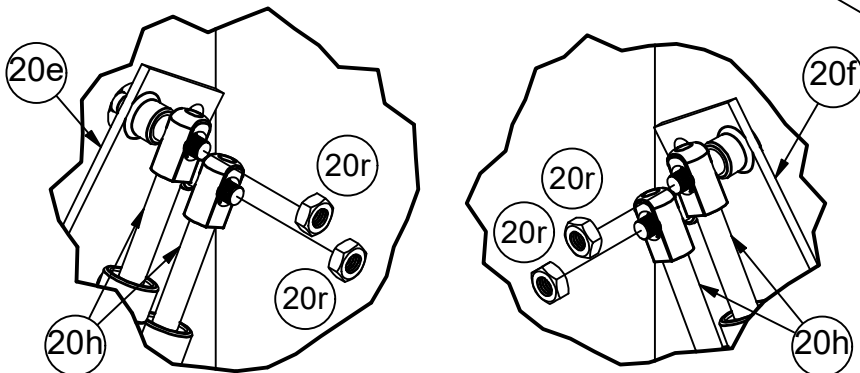
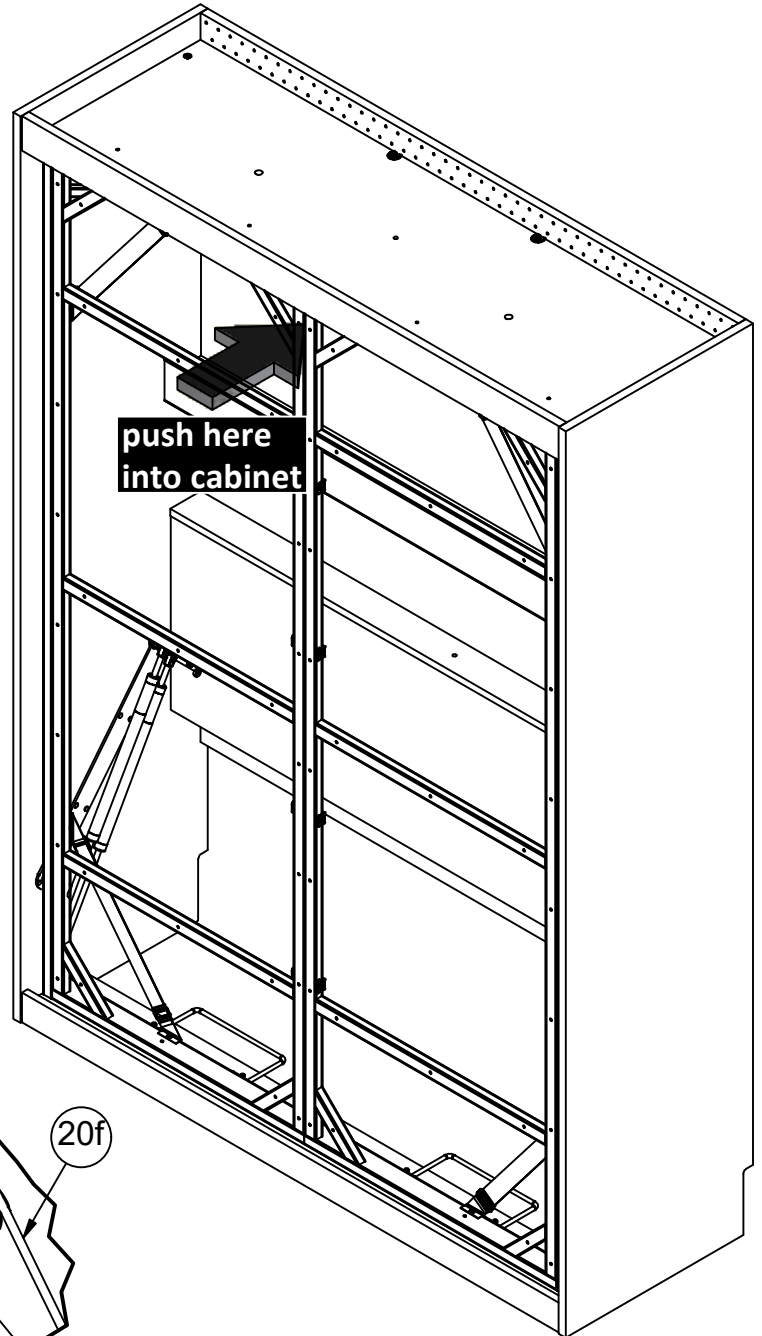
With a person on each side, carefully lift the bed frame in the closed position.

While one person pushes the bed frame into the cabinet, beyond the 90 degrees, the other person is to engage the "front" Gas Piston (20h) on each side of the unit, to the front pin of the Left and Right Pivot Arm (20e & 20f).

Then tightly secure with two Nuts (20r) using the wrench (20t) provided.

To engage the "rear" Gas Piston (20h) on each side of the unit, slowly and carefully wiggle the bed frame back and forth until you can insert the Gas Pistons (20h) onto the rear pin of the Left and Right Pivot Arm (20e & 20f).

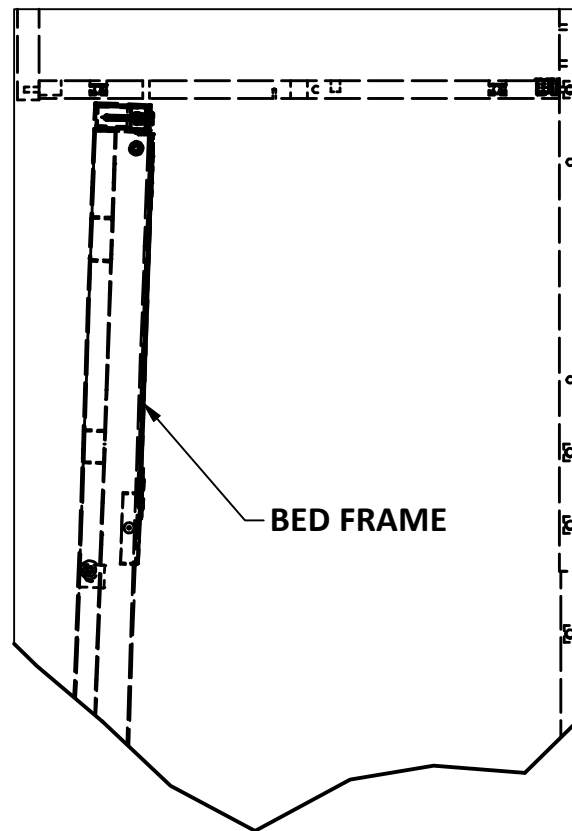
Then tightly secure with two Nuts (20r) using the wrench (20t) provided.



this step is continued on next page...

STEP 43 continued...

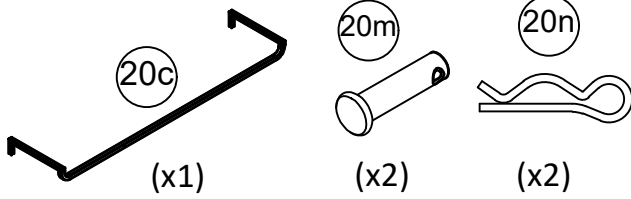
This image shows the bed frame pushed into the cabinet, beyond 90 degrees.



**90 DEGREES
(WHEN THE BED FRAME IS IN THE
UPRIGHT MOST POSITION)**

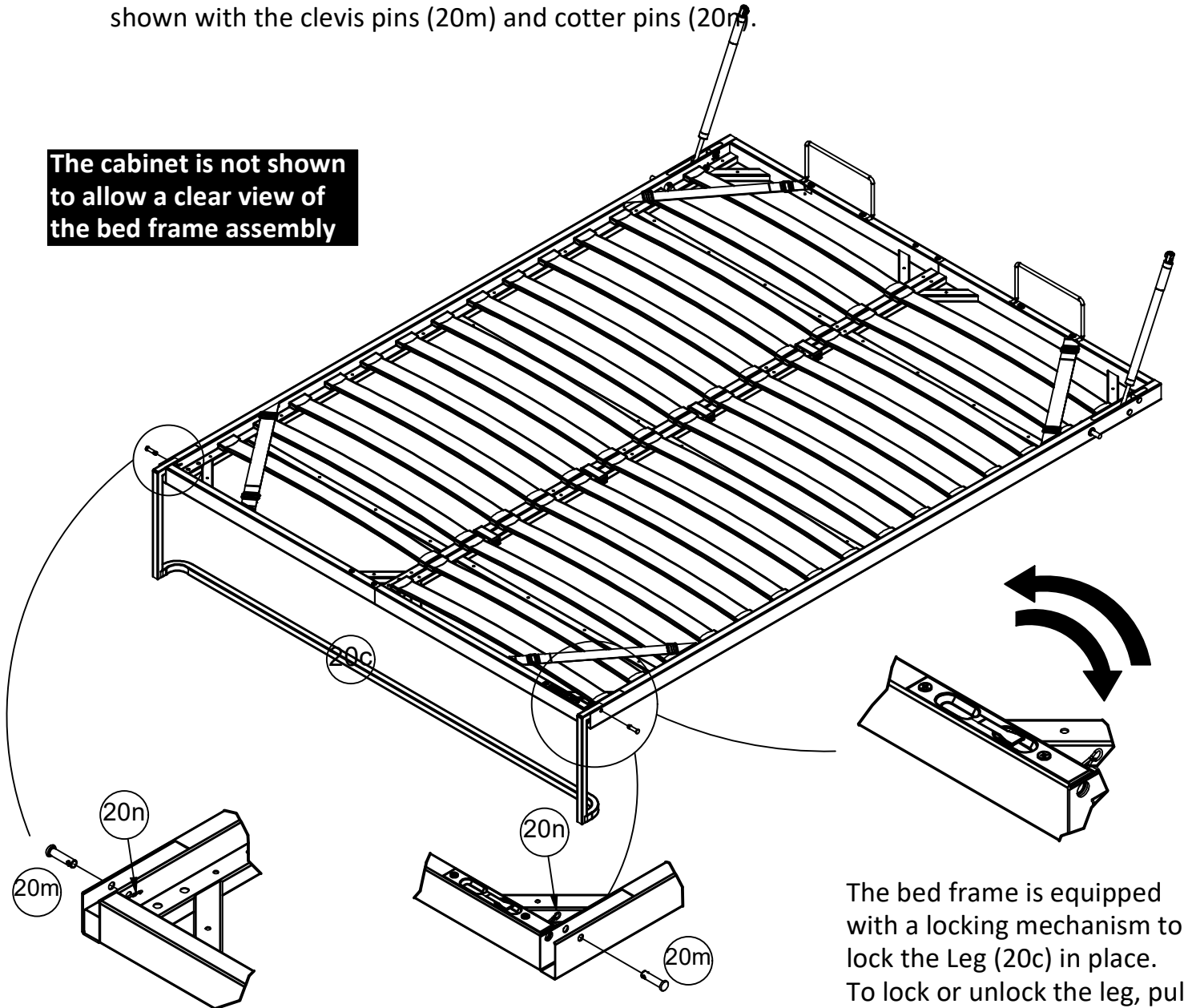
Please note: it is normal to see the bed frame in this state prior to the gas pistons being installed.

STEP 44



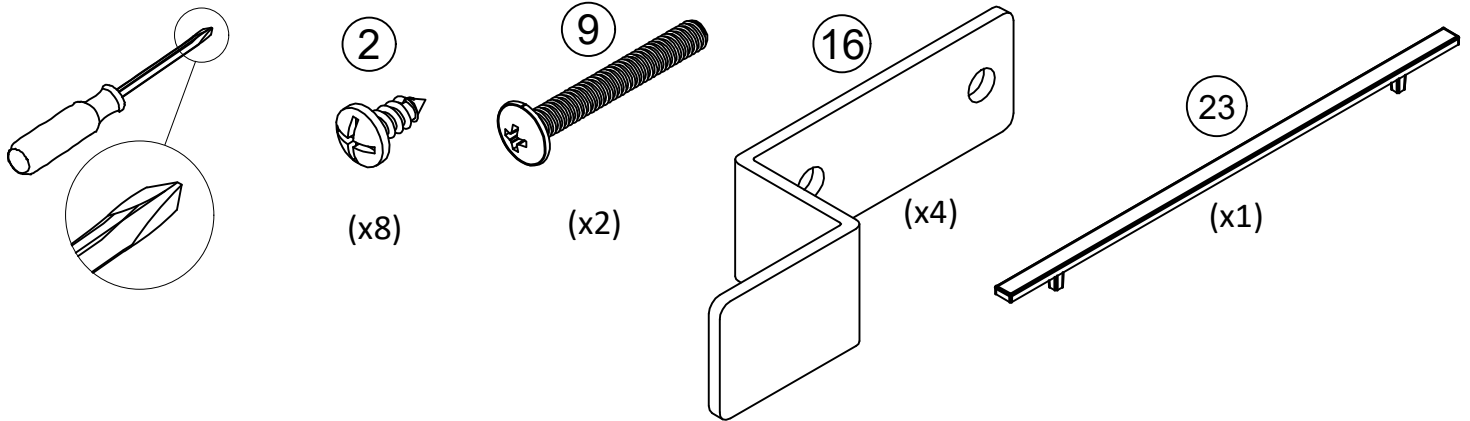
Be sure the bed frame is fully assembled to the unit cabinet. (This step could use both people). Once certain, carefully pull the bed frame down, then assemble the Leg (20c) as shown with the clevis pins (20m) and cotter pins (20n).

The cabinet is not shown to allow a clear view of the bed frame assembly

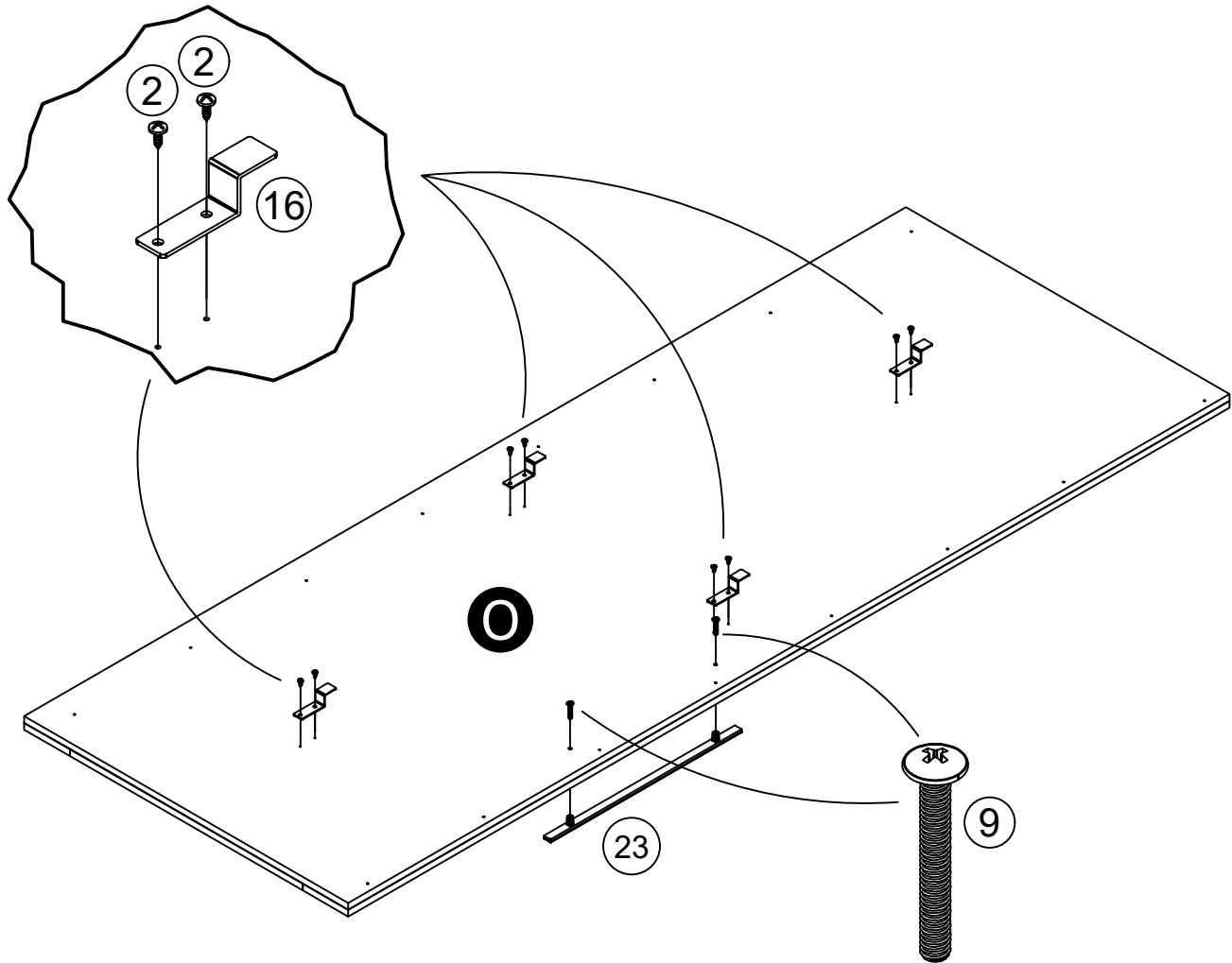


The bed frame is equipped with a locking mechanism to lock the Leg (20c) in place. To lock or unlock the leg, pull on the locking mechanism.

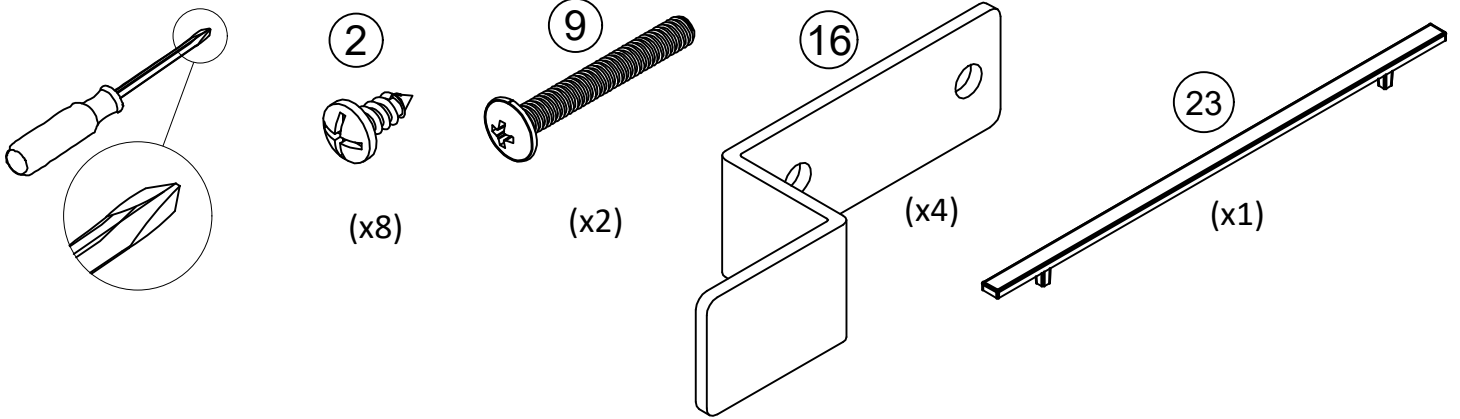
STEP 45



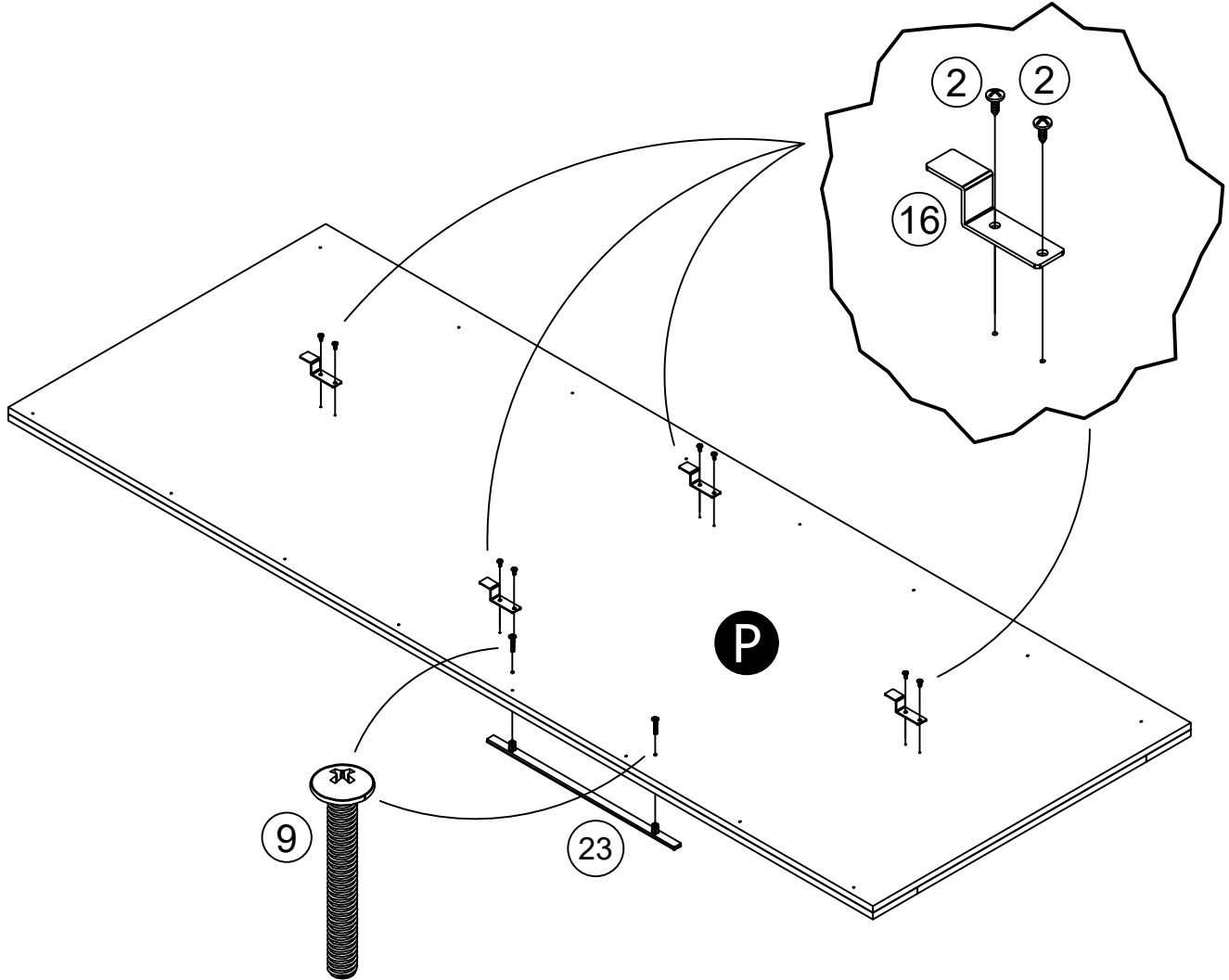
Proper orientation
of bracket



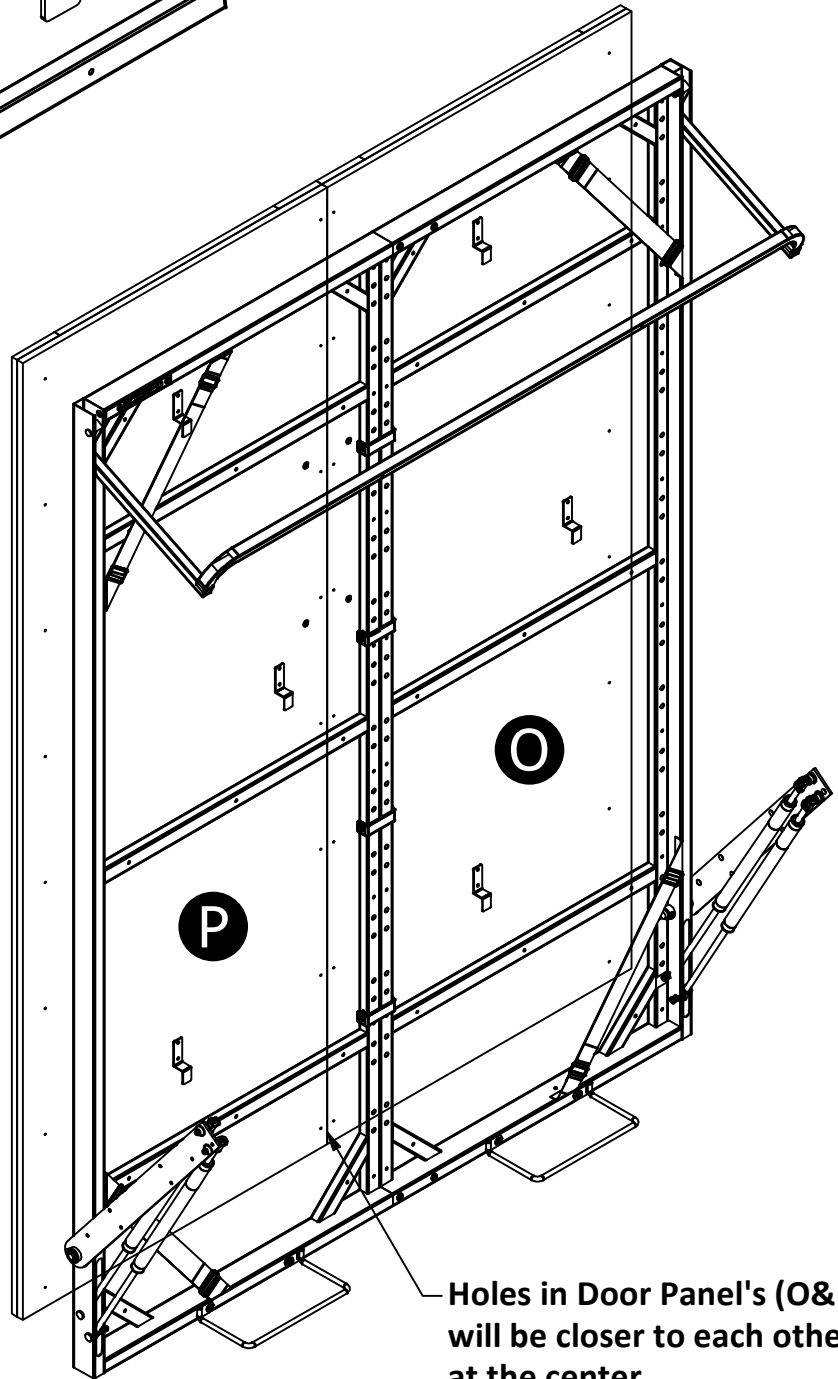
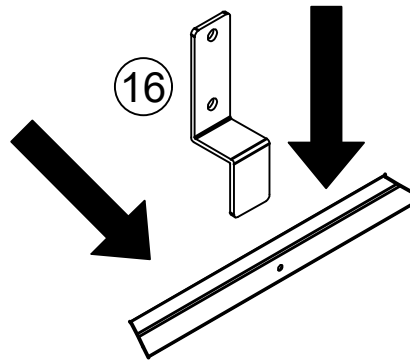
STEP 46



Proper orientation
of bracket



STEP 47



IMPORTANT:

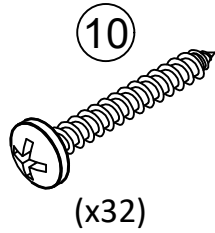
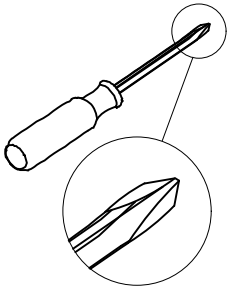
First, unlock and flip the leg into the cabinet. Then, lower the bed frame down a bit to allow clearance to hook Door Panels (O&P).

This step could use both people. Carefully lift the Left Door Panel (O), position the Brackets (16) over the three Support Rails of the Bed Frame, and drop into position. Repeat the procedure for the Right Door Panel (P).

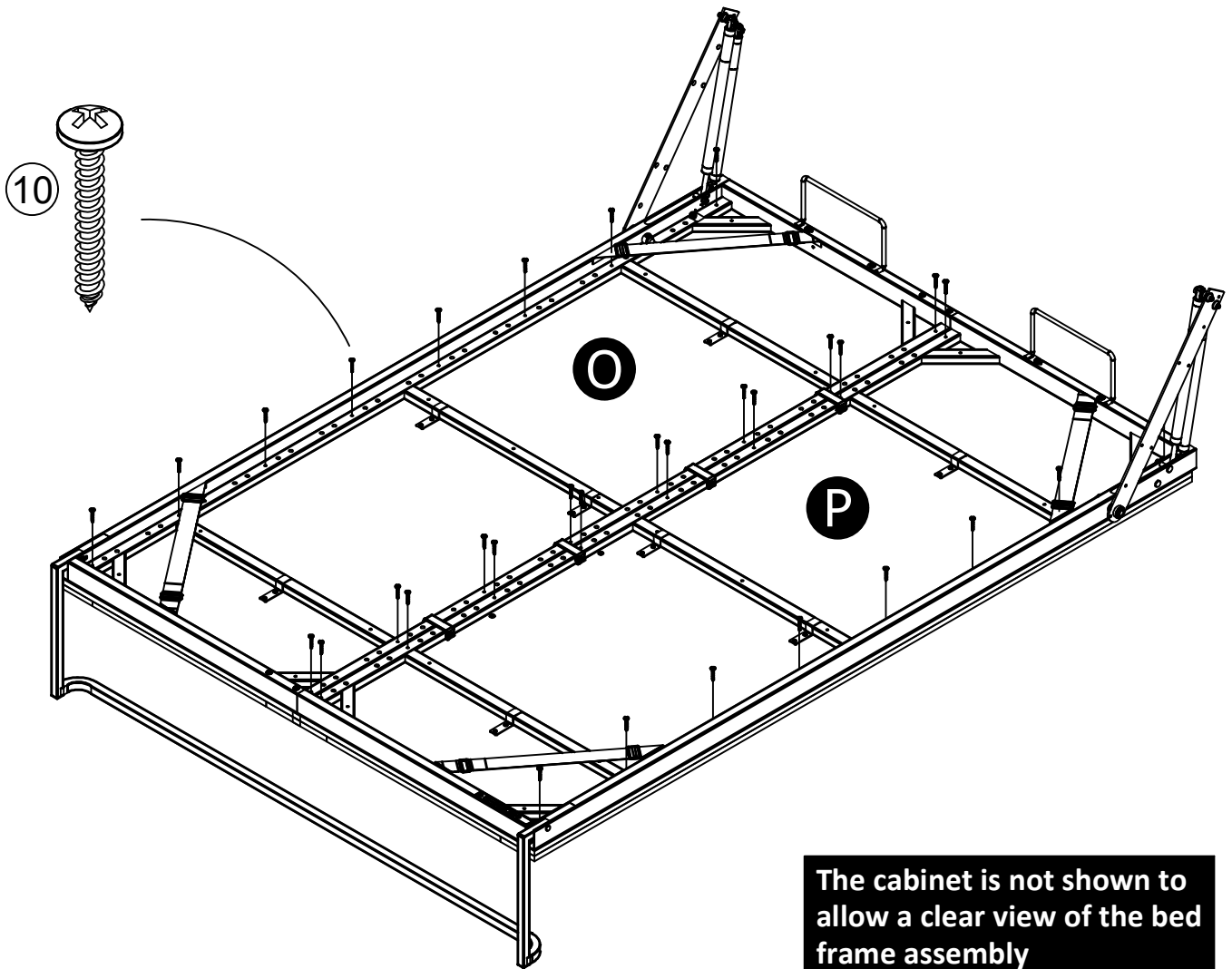
The cabinet is not shown to allow a clear view of the bed frame assembly

Holes in Door Panel's (O&P) will be closer to each other at the center

STEP 48

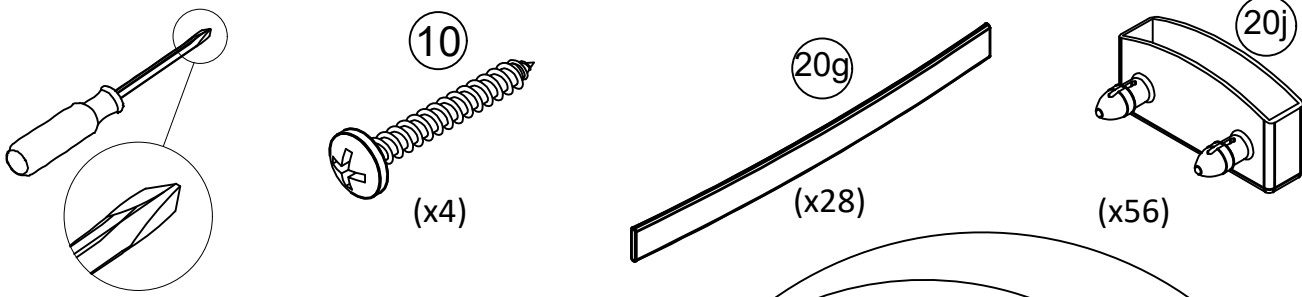


Carefully pull the bed frame open. (This could take both people). Line up the holes of the bed frame with the holes in Panels (O&P) and fasten with Screws (10).

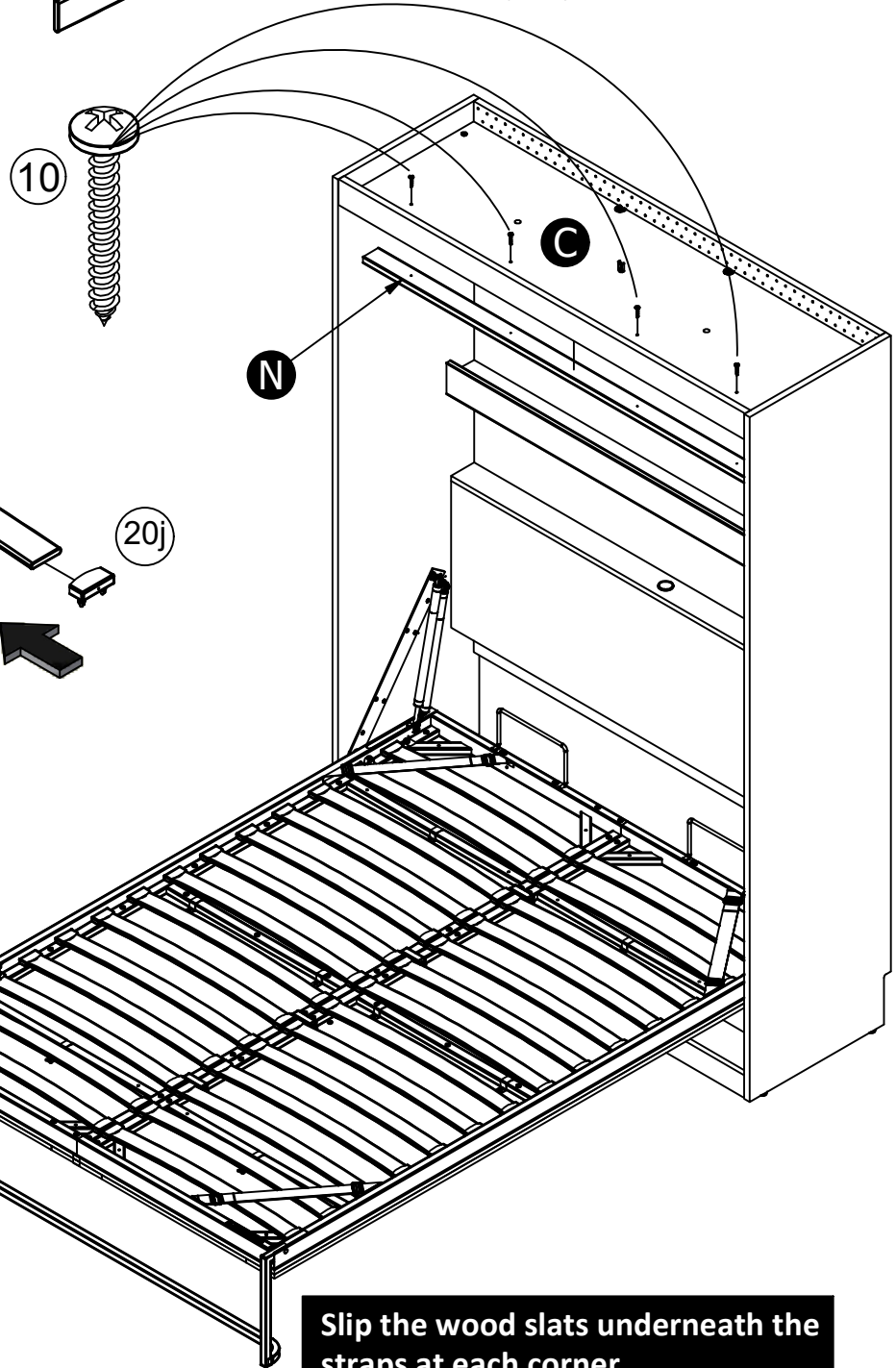


The cabinet is not shown to allow a clear view of the bed frame assembly

STEP 49



Fasten Stop Rail (N) to the underside of Top (C) with Screws (10).



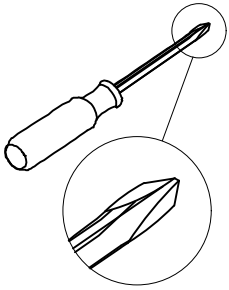
Press a Plastic Cap (20j) at each end of a Wood Slat (20g).

Press both Plastic Caps (20j), attached to the Wood Slat, into the holes of the Metal Bed Frame. Repeat the procedure for all 28 wood slats and 56 plastic caps.

A ladder will be required. Do not lean against the top of the unit, it may cause sagging

Slip the wood slats underneath the straps at each corner

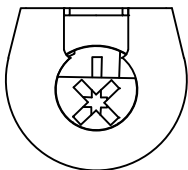
STEP 50



Front of unit is not shown to allow a clear view of the kick and bottom

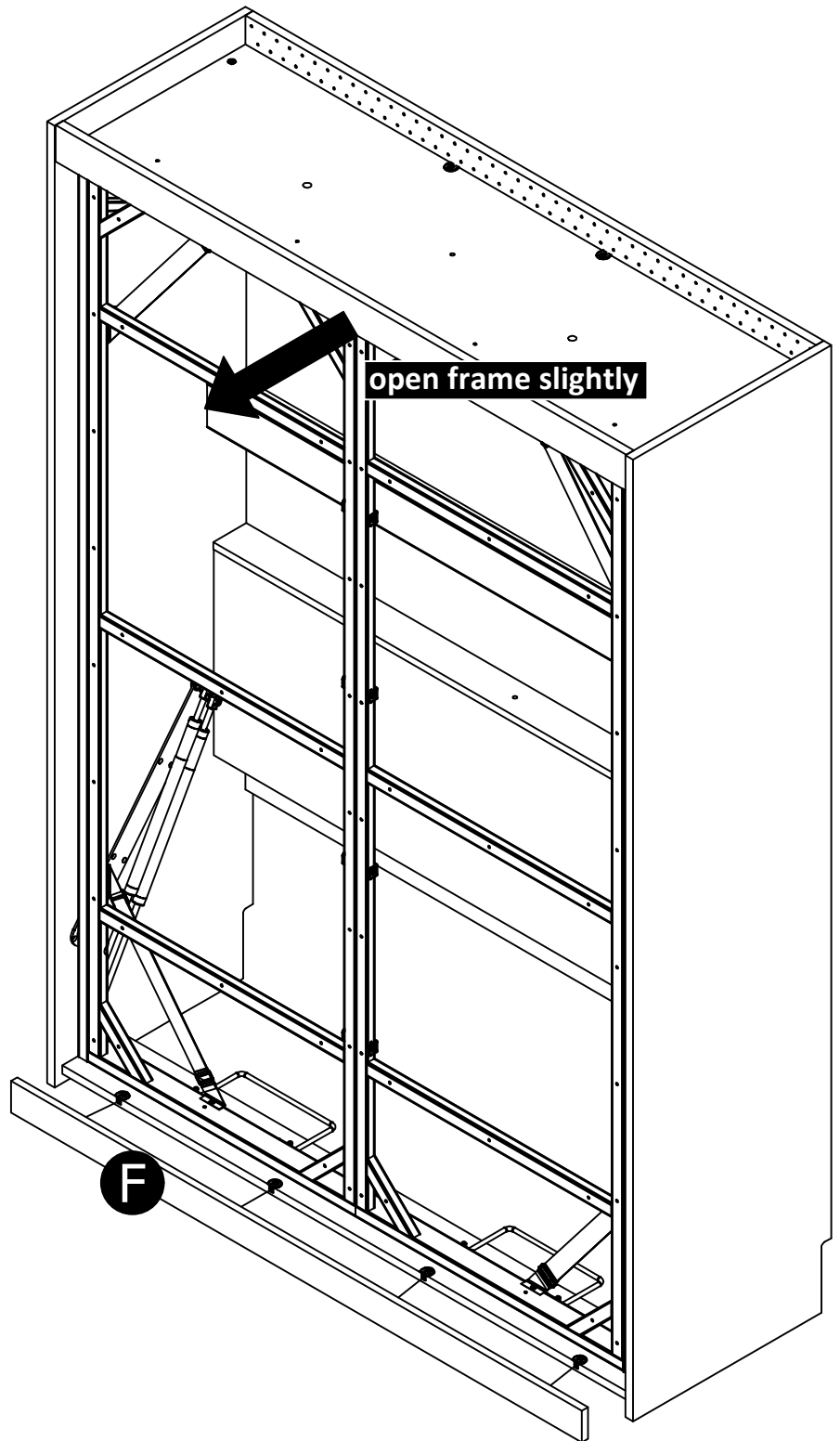
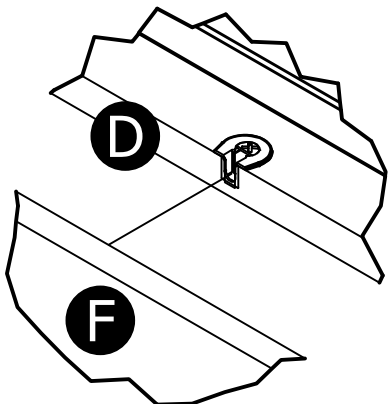
While one person slightly opens the bed frame and holds it in place, insert the connector bolts installed in the Kick (F) into the connectors of the Bottom (D). Turn the connectors clockwise to lock in place.

15



x4

turn clockwise to lock in place



Maximum Loads

This unit has been designed to support the maximum loads shown. Exceeding these load limits could cause sagging, instability, product collapse, and/or serious injury.

This bed is designed to accommodate a Full Size Mattress, up to 10" inches thick.

* with a maximum weight of 60 lbs (27.2 kgs)

* with a minimum weight of 30 lbs (13.6 kgs)

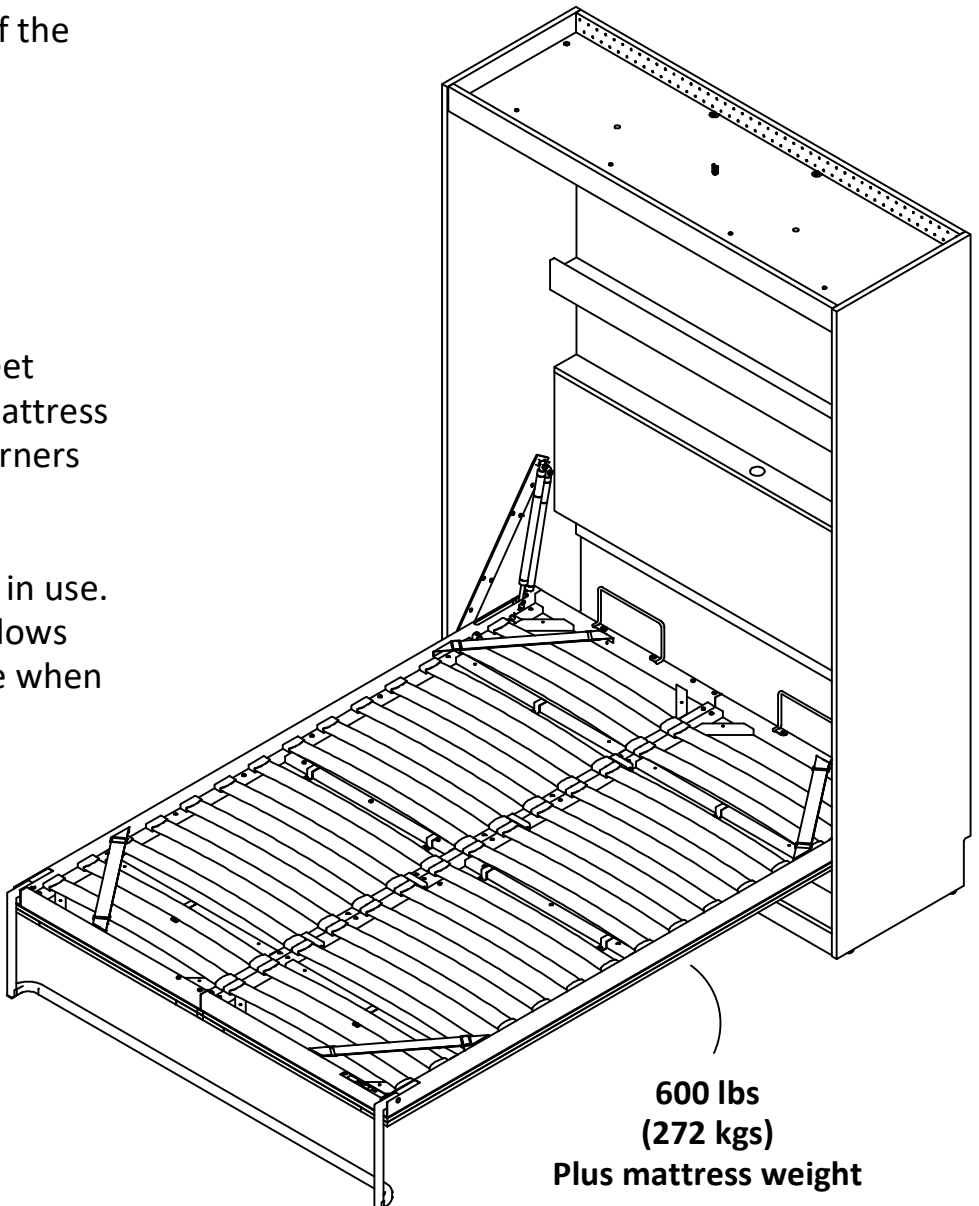
After you have finished installing and assembling your wall bed, please keep the instruction manual by placing it under the mattress, in the frame of the mobile part of the bed.

Please note:

Two people may be required to open and close the bed

Once you've placed your fitted sheet onto your mattress, secure your mattress with the straps provided in all 4 corners of the bed frame.

Keep the bed closed when it is not in use. It is recommended not to leave pillows and/or ornamental pillows in place when the bed is closed to preserve the mechanism.



Register your product to receive the following:



- * New trend details - sneak peek on what's new
- * Surveys - have a voice within our community
- * Exclusive deals and discount codes
- * Quick and easy replacement part service

To register your product, visit ameriwoodhome.com

5 Star Rating



Visit your local retailer's website, rate your purchased product and leave us some feedback!

*Thank
You!*

Español

Portada: Cama de pared de tamaño completo

ESTE FOLLETO DE INSTRUCCIONES CONTIENE ADVERTENCIAS E INFORMACIÓN SOBRE LA SEGURIDAD DEL PRODUCTO. NO PROCEDA SIN REVISAR A FONDO. PARA CUALQUIER DUDA, PÓNGASE EN CONTACTO CON EL SERVICIO DE ATENCIÓN AL CLIENTE.

¡No devuelva este producto!

Contáctese primero con nuestro equipo del servicio de atención al cliente para obtener ayuda.

Llame: 1-800-489-3351 (gratuito)

Visite: www.dorelhome.com

Para ver la garantía limitada válida en EE. UU. y Canadá.

Medidor de dificultad

Fácil

Profesional (ver página 2)

Página 2: Parte 1, Instalación

Advertencia: Se requiere de una instalación profesional. Este producto puede desprenderse de la pared y puede provocar lesiones severas y la muerte si no se lo fija correctamente. **Se requiere de una instalación profesional.**

- Los pasos de la instalación requerirán emplear a un profesional y la asistencia de una persona más.
- La segunda persona debe ser capaz de alzar los componentes de la cama abatible y mantenerlos posicionados mientras el profesional instala los elementos de ferretería.
- El profesional debe tener experiencia en la instalación de muebles de cocina o la instalación de televisores de pared en el tipo de pared presente en la vivienda (con montantes de madera o metal, o de hormigón).
- Los instaladores de muebles y reparadores en general pueden no contar con la experiencia requerida para instalar apropiadamente la cama.
- Antes de comprometerse o contratar a alguien para realizar la instalación, asegúrese de constatar que tenga la experiencia requerida mencionada arriba. En caso de que necesite ayuda para localizar un servicio, diríjase a <https://helpcenter.ameriwoodhome.com/>

Parte 2: Montaje

- Los pasos del montaje requieren emplear a dos personas que deberán ser capaces de alzar y fijar las partes de la cama con elementos de ferretería:
- Puede seguir empleando al profesional y a una segunda persona, o bien
- Emplear a dos personas que tengan experiencia en el montaje de muebles listos para montar.

¡Advertencia!

- No destinado a su utilización por parte de niños menores de seis años.
- Con el fin de evitar lesiones y daños a esta unidad, PROHÍBA saltar y jugar de modo brusco sobre ella.
- Este producto no está destinado para su traslado, modificación, desinstalación o desmontaje una vez instalado de forma profesional.
- Este producto está diseñado para el uso hogareño y no está destinado a un uso comercial.

Página 3: Antes de comenzar

Lea atentamente cada paso y siga el orden correcto.

Separe y cuente todas las partes y elementos de ferretería antes de intentar realizar el montaje.
Las partes se encuentran etiquetadas sobre su superficie o en un borde de la pieza.

Abra el artículo en el área en la que piense dejarlo. Disponga de suficiente espacio para el proceso de instalación y montaje.

Asegúrese de orientar siempre el punto situado en la parte superior del fijador excéntrico hacia el borde externo.

Nunca empuje, jale ni arrastre el mueble. No utilice productos químicos fuertes ni limpiadores abrasivos sobre este artículo.

Disponga de las siguientes herramientas: destornillador Phillips n.º 2, martillo, nivel, detector de vigas, lápiz, escalera tijera, maza de goma y taladro con brocas de 1/8" y 1/4".

Precaución: En el caso de que utilice un taladro eléctrico o un destornillador eléctrico para atornillar, esté atento a frenar y detenerse cuando el tornillo esté ajustado. Reduzca el ajuste del par de torsión a un nivel más bajo para que el taladro patine cuando el tornillo esté ajustado. No hacer esto puede generar que se estropee el tornillo.

Sistema de fijación del fijador excéntrico

Este sistema de fijación del fijador excéntrico se utilizará a lo largo del proceso de instalación y montaje.

Español

Página 4-5: Identificación de la placa

Tamaño no real

A - panel izquierdo	J - panel de cabecera
B - panel derecho	K - larguero inferior
C - parte superior	L - estante inferior
D - parte inferior	M - riel de estantería
E - cenefa	N - tope de riel
F - zócalo	O - ensamblaje de la puerta izquierda
G - panel trasero superior	P - ensamblaje de la puerta derecha
H - panel trasero central	
I - estante superior	

Página 6-7:

¡ADVERTENCIA!

PELIGRO DE ASFIXIA: La bolsa de los elementos de ferretería contiene piezas pequeñas. Manténgala fuera del alcance de los niños.

Lista de piezas

Tamaño real

Tenga en cuenta que su unidad puede contener elementos de ferretería adicionales

1 - Serrure à came	16 - Soutien
2 - vis à tête plate #8 x 7/16"	17 - Montage sur fil
3 - Vis à tête plate #8 x 3-1/2"	21 - Kit d'éclairage LED double
4 - Boulon à came	22 - Disque à capteur tactile
5 - Vis à tête plate #8 x 5/8"	23 - Manguie
6 - Curseur	24 - Tête plate #3/16 x 3-1/4"
7 - Écrou	25 - Rondelle
8 - Goupille en bois	
9 - Boulon #8-32 x 1-1/4"	
10 - #8 x 1-1/4" Tête plate	
11 - Tête plate #6 x 5/8"	
12 - Tête plate #6 x 1-1/2"	
Cadre de 13 à 1/2 po	
14 - Boulon de connecteur	
15 - Connecteur	

Página 8: Identificación del marco de la cama

No es el tamaño real

No todas las partes estarán identificadas.

20a - Montaje izquierdo	20l - Pasador de horquilla grande
20b - Montaje derecho	20m - Pasador de horquilla pequeño
20c - Pata	20n - Pasador de chaveta
20d - Soporte del colchón	20o - Perno M6 x 16 mm
20e - Brazo pivotante izquierdo	20p - Perno M6 x 10 mm
20f - Brazo pivotante derecho	20q - Arandela
20g - Lama de madera	20r - Tuerca hexagonal
20h - Pistón de gas	20s - Llave hexagonal de 4 mm
20i - Soporte en U	20t - Llave inglesa
20j - Tapa de plástico	20u - Pie de goma
20k - Pasador de pivote	

Página 9: Parte 1, Instalación

Advertencia: Instalación profesional requerida. Este producto puede desprenderse de la pared y puede provocar lesiones severas y la muerte si no se lo fija correctamente. **Se requiere de una instalación profesional.**

Los pasos de la instalación requerirán emplear a un profesional y la asistencia de una persona más. Los pasos de la instalación abarcarán las páginas 10-52.

Se requiere de un profesional para:

- todos los pasos que impliquen fijar elementos de ferretería
- identificar la estructura de la pared y los elementos de ferretería adecuados a utilizar para la fijación
- emplear elementos de ferretería seleccionados para sujetar la estructura a la pared
- confirmar que la estructura esté fijada de manera correcta y segura

Se necesita a la segunda persona para:

- alzar los componentes de la cama abatible y sostenerlos en su posición mientras el profesional los instala

Español

Página 10, 11, 12, 13, 18:

Orientación correcta del acoplamiento camlock

Página 20:

El brazo giratorio izquierdo (20e) se encuentra en la caja del Mecanismo de cama de pared 3678096COM

Página 22:

El brazo giratorio derecho (20f) se encuentra en la caja del Mecanismo de cama de pared 3678096COM

Página 23, 24:

Gire en el sentido de las agujas del reloj para bloquearlo en su lugar.

Borde áspero

Página 25, 26:

Gire en el sentido de las agujas del reloj para bloquearlo en su lugar.

Página 32:

Borde áspero

Página 34:

Con ayuda, repose la unidad sobre su parte delantera. Golpee los casquillos (7) con un martillo.

Atornille los deslizadores regulables (6) hasta el tope.

Página 35:

Los siguientes pasos son para montar el hardware eléctrico.

Información sobre la longitud de los cables:

1. El cable de alimentación mide 72" (182.88 cm) desde el transformador hasta la punta del enchufe.
2. El cable de bucle para el disco de sensor mide 48" (121.9 cm) desde el transformador hasta el centro del bucle.
3. El cable de luz que termina en un clip (que eventualmente se conectará al módulo de luz) mide 100" (254 cm) desde el transformador hasta el clip
4. El cable del módulo de luz sale del disco de luz y se extiende 5" (12.7 cm) hasta el centro de su clip

El kit de luz LED doble incluye:

21a. Transformador

21b. Cable de alimentación

21c. Cable de bucle del sensor

21d. Luces LED dobles con conectores

Disco de sensor táctil (empacado por separado)

El disco de sensor táctil tiene 3 opciones de brillo.

- Toque 1 - luz nocturna

- Toque 2 - luz ahorradora

- Toque 3 - luz de lectura brillante

- Toque 4 - apagar

Nota: Las herramientas de ensamblaje no están incluidas en estos paquetes, pero se encuentran en la bolsa de herramientas.

Página 36:

Ensamblaje del kit de luces LED

Abra el paquete del kit de luces LED. Todo se ensamblará en conjunto.

En primer lugar, desenganche la luz LED del enchufe tal como se muestra...

Enchufe de luz

Desenganche

Luz LED

En segundo lugar, desmonte la luz LED. Desenrosque la cubierta de la base y luego retire la pieza del lente. Deje estas piezas a un lado de forma segura.

Cubierta

Lente

Base

Módulo de luz

Página 37:

Coloque el transformador (21a) en el lugar indicado.

Si es necesario para la fuente de alimentación, pase el enchufe de alimentación (21b) frente el Larguero inferior (K).

Página 38:

Coloque la unidad en posición vertical con la ayuda de otra persona. Durante estos pasos, permita que la otra persona sostenga firmemente la unidad y evite que se vuelque. Coloque el disco de sensor táctil (22) en el lugar indicado en el Estante inferior (L).

Página 39:

Con la ayuda de otra persona que mantenga la unidad en posición vertical, tome el Sensor de bucle (21c) que está conectado al Transformador (21a) y colóquelo debajo del Estante inferior (L) en el hueco del Disco de sensor táctil (22). Pase el tornillo (13) a través del Sensor de bucle y atorníllelo en el Disco de sensor táctil (22).

Página 40:

Con la ayuda de otra persona que sostenga la unidad en posición vertical, ensamble las luces LED desmontadas (21d) a la Parte superior (C) con el tornillo (11). Pase los cables de las luces LED (21d) por los huecos en la Parte superior (C) para que los cables estén en la parte de arriba de la Parte superior (C).

Página 41:

Con la ayuda de otra persona que sostenga firmemente la unidad en posición vertical, pase los cables de la luz LED a través del soporte para cables (17) en la Parte superior (C). Tire de los cables hasta que estén en la parte trasera de la unidad. Enganche el Enchufe de luz (21d) (que está fijado al transformador (21a)) a los cables de luz LED.

Página 42:

Vuelva a ensamblar las luces LED. Primero coloque el lente en la base y luego atornille de nuevo la cobertura tal como se muestra abajo.

Ajuste los cables según sea necesario. Asegúrese de que el Enchufe de alimentación pasa por donde se encuentra la toma de corriente asistida. Colóquelo contra la pared.

Enchúfelo a la toma de corriente y asegúrese de que la luz LED y el Disco de sensor táctil funcionan correctamente.

Base

Lente

Cobertura

Español

Página 43:

Los siguientes pasos son para fijar la unidad a la pared y abarcan las páginas 44-52.

Los siguientes pasos deben ser realizados por un profesional.

Una segunda persona puede ayudar a mantener el armario en su lugar mientras que el profesional completa los pasos de alineación, nivelación e instalación.

La unidad DEBE estar en escuadra (alineada en altura, ancho y profundidad) para funcionar correctamente

La unidad DEBE colocarse a ras de la pared.

La unidad DEBE atornillarse a 3 montantes DIFERENTES en la parte superior e inferior por seguridad.

El profesional debe seleccionar las herramientas adecuadas para instalar la unidad en la estructura de la pared. Las herramientas suministradas incluyen opciones para montantes de madera, montantes metálicos y de concreto.

NO utilice anclajes de pared para instalar la unidad en la pared.

Este producto no está destinado a ser movido, modificado, desinstalado o desmontado una vez instalado profesionalmente. Seleccione cuidadosamente el lugar de instalación con ayuda del profesional.

Página 44:

Con cuidado, coloque la unidad AL RAS de la pared.

En la parte trasera de la unidad hay muescas. Estas deben coincidir con el zócalo de la pared. Si el zócalo es más alto o más grueso que las muescas incluidas en la unidad, tendrá que quitar el zócalo, cortarlo para que quepa en ambos lados de la unidad y volver a fijarlo luego a la pared.

Página 45:

Utilizando un nivel, asegúrese de que la unidad está a escuadra (altura, ancho y profundidad) para que funcione correctamente.

Si es necesario, desenrosque los Deslizadores en sentido contrario a las agujas del reloj en las 4 esquinas hasta que la unidad esté nivelada en todas las direcciones.

Necesitará una escalera. No se apoye contra la parte superior de la unidad, ya que se puede hundir.

Tenga en cuenta para los siguientes pasos: Se retiró la Cenefa (E) para mostrar mejor los huecos del Panel trasero superior (G).

Español

Página 46:

¿Qué tipo de pared tiene?

Para los pasos 36 y 37 tendrá que elegir entre dos tipos de tornillos en función del tipo de pared en el que vaya a instalar este producto.

Montantes de madera y metal - Siga los pasos 36 y 37 - Vaya a las páginas sobre montantes de madera y metal para encontrar instrucciones. Páginas 47 y 48.

Concreto - Siga los pasos 36 y 37 - Vaya a las páginas sobre concreto para encontrar instrucciones. Páginas 50 y 51.

Página 47:

Encuentre al menos 3 montantes DIFERENTES en dirección horizontal, pero es mejor usar 4.

Encuentre los montantes en la pared utilizando un localizador de montantes. Con un lápiz, marque la ubicación de los montantes en la superficie superior del Panel trasero superior (G), en el que se encuentran los huecos pretaladrados. Con un nivel, lleve las ubicaciones de los montantes hasta el Larguero inferior (K) y con un lápiz, marque las ubicaciones de los montantes en los huecos pretaladrados provistos.

Necesitará una escalera. No se apoye contra la parte superior de la unidad, ya que se puede hundir.

Página 48:

Tal como se muestra en la imagen de la derecha, fije la unidad a los montantes con tornillos (3) y arandelas (25). La imagen muestra el Panel trasero superior (G), pero haga lo mismo con el Larguero inferior (K). Debe atornillar al menos 3 tornillos en 3 montantes diferentes en dirección horizontal, pero es mejor usar 4 en la parte G y K.

Necesitará una escalera. No se apoye contra la parte superior de la unidad, ya que se puede hundir.

Página 49:

Ejemplo de 4 tornillos colocados horizontalmente en montantes en la parte G y L. Por favor tenga en cuenta que esto es solo un ejemplo. Todas las distancias de los montantes son diferentes.

Página 50:

Escoja 4 huecos horizontales pretaladrados distribuidos de forma uniforme a lo largo del Panel trasero superior (G). Siga esos huecos hacia abajo y utilice los mismos huecos pretaladrados en el Larguero inferior (K).

Con un lápiz, marque la ubicación en la superficie superior del Panel trasero superior (G) en donde hay huecos petraladrados. Usando un nivel, lleve las ubicaciones de esos huecos hasta el Larguero inferior (K) y con un lápiz, marque las ubicaciones en donde hay huecos petraladrados.

Necesitará una escalera. No se apoye contra la parte superior de la unidad, ya que se puede hundir.

Español

Página 51:

En primer lugar, asegúrese de que su unidad sigue estando nivelada en todas las direcciones.

Como se muestra en la imagen de la derecha, fije la unidad a la pared de concreto utilizando tornillos (24) y arandelas (25). La imagen muestra el Panel trasero superior (G), pero haga lo mismo con el Larguero inferior (K). Debe atornillar al menos 3 tornillos en 3 montantes diferentes en dirección horizontal, pero es mejor usar 4 en la parte G y K.

Necesitará una escalera. No se apoye contra la parte superior de la unidad, ya que se puede hundir.

Página 52:

Ejemplo de 4 tornillos colocados horizontalmente en montantes en la parte G y K.

Por favor tenga en cuenta que esto es solo un ejemplo. Todas las distancias de los montantes son diferentes.

Página 53:

Los siguientes pasos son para ensamblar el mecanismo metálico del marco de la cama y los paneles de las puertas. Los pasos del ensamblaje cubrirán las páginas 54-67.

Como se menciona en la página 2: Elija una de las dos opciones de abajo...

Puede seguir utilizando la ayuda de un profesional y una segunda persona o

Utilice dos personas que tengan experiencia en el ensamblaje de muebles listos para montar.

Se necesitan dos personas para:

Levantar y fijar las piezas de la cama utilizando herramientas

Estas piezas están en el Cartón del mecanismo de la cama de pared #3678096COM

Página 54:

En primer lugar, presione cada pie de goma (20u) en cada hueco de la Pata (20c) como se muestra a continuación. Luego, una y ensamble los montajes izquierdo y derecho (20a y 20b) del marco de la cama como se muestra a continuación utilizando pernos (20o) con la llave hexagonal suministrada (20s).

Puede utilizar un mazo de goma para ayudar a unir los dos montajes del marco.

Página 55:

Coloque los cuatro soportes en U (20i) en su ubicación correspondiente. Utilice los pernos (20o) y las arandelas (20q) para ensamblar los soportes en U (20i) a los montajes unidos del marco de la cama (20a y 20b) como se muestra. Utilice la llave hexagonal suministrada (20s) para el montaje.

Las cuatro ubicaciones para el soporte en U (20i) serán donde están los huecos en la parte lateral de los montajes del marco (20a y 20b).

Español

Página 56:

Ensamble los soportes del colchón (20d) a los montajes del marco (20a y 20b) utilizando pernos (20p) como se muestra a la derecha. Utilice la llave hexagonal (20s) suministrada para el montaje.

Página 57:

Extremo largo. Extremo corto.

Ensamble dos pistones (20h) a cada lado del marco de la cama utilizando pasadores de horquilla (20l) y fije cada uno con un pasador de chaveta (20n).

El extremo "largo" de cada pistón debe fijarse al marco. Los extremos de ambos pistones deben ser insertados en la ranura del marco durante el ensamblaje.

Página 58:

No se muestra el armario para permitir una vista clara del ensamblaje del marco de la cama.

Con una persona a cada lado, levante el marco ensamblado de la cama, alinee los huecos del marco con el hueco grande del casquillo del Brazo giratorio izquierdo y derecho (20e y 20f) ya instalados en su unidad e inserte los Pasadores de pivote (20k) como se muestra. Asegure los pasadores de pivote con un perno de 10 mm (20p). Utilice la llave hexagonal suministrada (20s) para el montaje.

Se han eliminado los pistones de la imagen para una mejor vista de este paso.

Ya fijado a la unidad

No fije los Pistones a los Brazos giratorios izquierdo y derecho en este punto, esto se hará en el paso 43.

Página 59:

Este es un paso importante. ¡Por favor lea atentamente las instrucciones! Con una persona en cada lado, levante cuidadosamente el marco de la cama en la posición cerrada. Mientras que una persona empuja el marco de la cama hacia el armario, más allá de los 90 grados, la otra persona debe enganchar el Pistón de gas "frontal" (20h) en cada lado de la unidad al pasador frontal del Brazo giratorio izquierdo y derecho (20e y 20f). A continuación, fíjelo firmemente con dos Tuercas (20r) utilizando la llave (20t) suministrada.

Para enganchar el Pistón de gas "trasero" (20h) en cada lado de la unidad, mueva lenta y cuidadosamente el marco de la cama hacia adelante y hacia atrás hasta que pueda insertar los Pistones de gas (20h) en el pasador trasero del Brazo giratorio izquierdo y derecho (20e y 20f). Luego, fíjelos firmemente con dos Tuercas (20r) utilizando la llave (20t) suministrada.

Este paso continúa en la página siguiente...

Español

Página 60:

Esta imagen muestra el marco de la cama introducido en el armario, más allá de los 90 grados.

Marco de la cama

90 GRADOS (CUANDO EL MARCO ESTÁ EN LA POSICIÓN MÁS VERTICAL)

Atención: Es normal ver el marco de la cama en este estado antes de instalar los pistones de gas.

Página 61:

Asegúrese de que el marco de la cama está completamente ensamblado al armario. (Es mejor realizar este paso entre dos personas). Una vez seguro, tire con cuidado el marco de la cama hacia abajo y luego monte la Pata (20c) como se muestra con los pasadores de horquilla (20m) y los pasadores de chaveta (20n).

No se muestra el armario para permitir una vista clara del ensamblaje del marco de la cama.

El marco de la cama está equipado con un mecanismo de bloqueo para bloquear la Pata (20c) en su sitio.

Para bloquear o desbloquear la pata, tire del mecanismo de bloqueo.

Página 62, 63:

Orientación correcta del soporte

Página 64:

IMPORTANTE:

En primer lugar, desbloquee y gire la pata hacia el armario. A continuación, baje un poco el marco de la cama para dejar espacio libre para enganchar los Paneles de las puertas (O&P).

Es mejor realizar este paso entre dos personas. Levante con cuidado el Panel de la puerta izquierda (P), coloque los Soportes (16) sobre los tres Rieles de soporte del marco de la cama y déjelo caer en su posición. Repita el procedimiento para el Panel de la puerta derecha (O).

No se muestra el armario para permitir una vista clara del ensamblaje del marco de la cama.

Los huecos de los paneles de las puertas (O&P) estarán más cerca unos de otros en el centro.

Página 65:

Tire con cuidado del marco de la cama para abrirlo. (Para ello pueden ser necesarias dos personas).

Alinee los huecos del marco de la cama con los huecos de los Paneles (O&P) y fíjelos con Tornillos (10).

No se muestra el armario para permitir una vista clara del ensamblaje del marco de la cama.

Página 66:

Fije el Tope del riel (N) a la parte de abajo de la Parte superior (C) con Tornillos (10).

Presione una Tapa de plástico (20j) en cada extremo de un Listón de madera (20g). Presione ambas Tapas de plástico (20j), unidas al Listón de madera, en los huecos del marco metálico de la cama. Repita el procedimiento con los 28 listones de madera y las 56 tapas de plástico.

Necesitará una escalera. No se apoye contra la parte superior de la unidad, ya que se puede hundir.

Deslice los listones de madera por debajo de las correas en cada esquina.

Página 67:

No se muestra la parte frontal de la unidad para permitir una vista clara del zócalo y el fondo.

Abra ligeramente el marco.

Mientras una persona abre ligeramente el marco de la cama y lo mantiene en su sitio, inserte los pernos conectores instalados en el Zócalo (F) en los conectores de la Parte inferior (D). Gire los conectores en el sentido de las agujas del reloj para bloquearlos en su sitio.

Gire en el sentido de las agujas del reloj para bloquearlo.

Español

Página 68: Cargas máximas

Esta unidad ha sido diseñada para soportar las cargas máximas mostradas. Exceder estos límites de carga podría generar un hundimiento, inestabilidad, el desplome del producto o lesiones graves.

Esta cama está diseñada para acomodar un colchón tamaño Full, de hasta 10" pulgadas de grosor.

* con un peso máximo de 60 libras (27.2 kgs)

* con un peso mínimo de 30 libras (13.6 kgs)

Una vez que haya terminado de instalar y montar la cama abatible, conserve el manual de instrucciones y sitúelo debajo del colchón, en el marco de la parte móvil de la cama.

Tenga en cuenta:

Pueden requerirse dos personas para abrir y cerrar la cama

Una vez que le haya puesto la sábana ajustable al colchón, asegure el mismo con las correas provistas en las cuatro esquinas del marco de la cama.

Mantenga la cama cerrada cuando no esté siendo utilizada.

Se recomienda no dejar almohadas ni almohadones decorativos al cerrar la cama a fin de preservar el mecanismo.

600 lb (272 kg) más el peso del colchón

Página 69: Registro

Registre su producto para recibir lo siguiente:

- * Detalles sobre las nuevas tendencias: Un adelanto de las novedades
- * Encuestas: Tenga voz en nuestra comunidad
- * Ofertas exclusivas y códigos de descuento
- * Servicio de entrega de repuestos de manera rápida y fácil

Para registrar su producto, visite ameriwoodhome.com

Calificación de 5 estrellas

¡Visite el sitio web de su minorista local, califique el producto adquirido y déjenos sus comentarios!

¡Gracias!

Page de couverture : Lit mural pleine grandeur

CE LIVRET D'INSTRUCTIONS CONTIENT DES AVERTISSEMENTS ET DES INFORMATIONS SUR L'INNOCUITÉ DU PRODUIT. NE PROCÉDEZ PAS SANS UN EXAMEN APPROFONDI. POUR TOUTE QUESTION, VEUILLEZ CONTACTER LE SERVICE À LA CLIENTÈLE.

Ne renvoyez pas ce produit!

Contactez d'abord notre service clientèle pour obtenir de l'aide.

Appelez-nous : 1-800-489-3351 (gratuit)

Rendez-vous sur : www.dorelhome.com

pour consulter la garantie limitée valable aux États-Unis et au Canada.

Indicateur de difficulté

Facile

Professionnel (consultez la page 2)

Page 2 : Partie 1 - Installation

Avertissement - Une installation professionnelle est nécessaire - Ce produit peut se détacher du mur et provoquer des blessures graves, voire mortelles, s'il n'est pas correctement fixé. **Une installation professionnelle est nécessaire.**

- Les étapes de l'installation nécessiteront l'intervention d'un professionnel et d'une autre personne pour vous aider.
- La deuxième personne doit être capable de soulever les éléments du lit mural et de les maintenir en position pendant que le professionnel installe la quincaillerie.
- Le professionnel doit avoir de l'expérience dans l'installation d'armoires de cuisine ou de téléviseurs muraux dans le type de mur présent dans la maison (bois, métal ou béton).
- Les installateurs de meubles et les bricoleurs en général peuvent ne pas avoir l'expertise requise pour installer correctement le lit.
- Avant d'engager quelqu'un pour effectuer l'installation, assurez-vous qu'il possède l'expérience requise. Si vous avez besoin d'aide pour trouver un service, rendez-vous sur <https://helpcenter.ameriwoodhome.com/>

Partie 2 - Assemblage

- Les étapes d'assemblage nécessitent l'intervention de deux personnes qui doivent être en mesure de soulever et de fixer les pièces du lit à l'aide de la quincaillerie :
- Vous pouvez continuer à utiliser le professionnel et une deuxième personne, ou
- Faites appel à deux personnes qui ont de l'expérience dans le montage de meubles prêts à être assemblés.

Attention!

- Ne doit pas être utilisé par des enfants de moins de 6 ans.
- Pour éviter les blessures et les dommages à cet appareil, INTERDISEZ les sauts et les jeux d'enfants.
- Ce produit n'est pas destiné à être déplacé, modifié, désinstallé ou démonté une fois qu'il a été installé par un professionnel.
- Ce produit est conçu pour un usage domestique et n'est pas destiné à un usage commercial.

Page 3 : Avant de commencer

Lisez attentivement chaque étape et suivez l'ordre approprié.

Séparez et comptez toutes les pièces et la quincaillerie avant de procéder à l'assemblage.

Les pièces sont étiquetées sur la surface ou le bord de la pièce.

Ouvrez votre article dans un endroit où vous prévoyez de le conserver. Prévoyez suffisamment d'espace pour l'installation et le montage.

Veillez à toujours orienter la pointe située sur le dessus de la serrure à came vers le bord extérieur.

Ne poussez pas, ne tirez pas et ne traînez pas vos meubles. N'utilisez pas de produits chimiques agressifs ou de nettoyeurs abrasifs sur cet article.

Munissez-vous des outils suivants : tournevis cruciforme n° 2, marteau, niveau, détecteur de goujons, crayon, escabeau, maillet en caoutchouc et perceuse avec mèches de 1/8 de po et 1/4 de po.

Attention : Si vous utilisez une perceuse ou une visseuse électrique pour visser, veillez à ralentir et à vous arrêter lorsque la vis est serrée. Réduisez le réglage du couple à un niveau inférieur afin que la perceuse saute lorsque la vis est serrée. Si vous ne le faites pas, vous risquez d'arracher la vis.

Système de fixation par serrure à came

Ce système de fixation par serrure à came sera utilisé tout au long du processus d'installation et d'assemblage.

Français

Page 4-5 : Identification du panneau

Taille non réelle

- | | |
|-------------------------------|----------------------------|
| A - panneau gauche | J - panneau de tête de lit |
| B - panneau droit | K - longeron inférieur |
| C - haut | L - tablette inférieure |
| D - bas | M - rail d'étagère |
| E - valance | N - rail d'arrêt |
| F - pointe | O - porte gauche |
| G - panneau arrière supérieur | P - porte droite |
| H - panneau arrière central | |
| I - tablette supérieure | |

Page 6-7 : ATTENTION!

DANGER D'ETOUFFEMENT - Le sac de matériel contient de petites pièces. Tenir hors de portée des enfants.

Liste des pièces

Taille réelle

Notez que votre appareil peut contenir du matériel supplémentaire

- | | |
|----------------------------------|---------------------------------|
| 1 - Serrure à came | 16 - Soutien |
| 2 vis à tête plate #8 x 7/16" | 17 - Montage sur fil |
| 3 - Vis à tête plate #8 x 3-1/2" | 21 - Kit d'éclairage LED double |
| 4 - Boulon à came | 22 - Disque à capteur tactile |
| 5 - Vis à tête plate #8 x 5/8" | 23 - Mangue |
| 6 - Curseur | 24 - Tête plate #3/16 x 3-1/4" |
| 7 - Écrou | 25 - Rondelle |
| 8 - Goupille en bois | |
| 9 - Boulon #8-32 x 1-1/4" | |
| 10 - #8 x 1-1/4" Tête plate | |
| 11 - Tête plate #6 x 5/8" | |
| 12 - Tête plate #6 x 1-1/2" | |
| Cadre de 13 à 1/2 po | |
| 14 - Boulon de connecteur | |
| 15 - Connecteur | |

Page 8 : Identification du cadre de lit

Pas la taille réelle

Toutes les pièces ne sont pas identifiées.

20a - Assemblage gauche	20l - Grand axe de chape
20b - Assemblage droit	20m - Petit axe de chape
20c - Pied	20n - Goupille fendue
20d - Support de matelas	20o - Boulon M6 x 16 mm
20e - Bras pivotant gauche	20p - Boulon M6 x 10 mm
20f - Bras pivotant droit	20q - Rondelle
20g - Lamelle en bois	20r - Écrou hexagonal
20h - Piston à gaz	20s - Clé hexagonale de 4 mm
20i - Support en U	20t - Clé
20j - Capuchon en plastique	20u - Pied en caoutchouc
20k - Goupille de pivot	

Page 9 : Partie 1 - Installation

Avertissement - Une installation professionnelle est nécessaire - Ce produit peut se détacher du mur et provoquer des blessures graves, voire mortelles, s'il n'est pas correctement fixé. **Une installation professionnelle est nécessaire.**

Les étapes de l'installation nécessitent l'intervention d'un professionnel et d'une autre personne pour l'aider. Les étapes de l'installation couvrent les pages 10 à 52.

Le statut de professionnel est requis pour :

- toutes les étapes de fixation du matériel
- identifier la structure du mur et le matériel de fixation approprié à utiliser
- l'utilisation de matériel sélectionné pour fixer la structure au mur
- vérifier que la structure est correctement et solidement fixée.

La deuxième personne est recherchée pour :

- soulever les éléments du lit mural et les maintenir en position pendant que le professionnel les installe.

Français

Page 10, 11, 12, 13, 18 :

Orientation correcte de la serrure à came

Page 20 :

Le bras pivotant gauche (20e) se trouve dans la boîte du mécanisme de lit mural 3678096COM.

Page 22 :

Le bras pivotant droit (20f) est situé dans la boîte du mécanisme du lit mural 3678096COM.

Page 23, 24 :

Tournez dans le sens des aiguilles d'une montre pour verrouiller en place

Bord brut

Page 25, 26 :

Tournez dans le sens des aiguilles d'une montre pour verrouiller en place

Page 32 :

Bord brut

Page 34 :

Avec de l'aide, mettez l'appareil sur le devant. Tapez sur les bagues (7) à l'aide d'un marteau.

Vissez à fond les patins réglables (6).

Page 35 :

Les étapes suivantes consistent à assembler votre matériel électrique

Informations sur la longueur du cordon :

1. Le cordon d'alimentation est de 72 pouces du transformateur à l'extrémité de la prise.
2. Le câble en boucle pour le disque du capteur, à partir du transformateur, mesure 48 pouces jusqu'au centre de la boucle.
3. Le fil d'éclairage qui se termine par une pince (qui sera éventuellement connectée au module d'éclairage), ce fil, du transformateur, est de 100 pouces jusqu'à la pince.
4. Le module d'éclairage, son fil sort du disque d'éclairage et s'étend sur 5 pouces jusqu'au centre de son clip.

Le kit d'éclairage à double DEL comprend :

21a. Transformateur

21b. Cordon d'alimentation

21c. Cordon du capteur de boucle

21d. Lumières à DEL doubles avec fiches d'éclairage

Français

Disque du capteur tactile (emballé séparément)

Le disque de détection tactile a trois options de luminosité.

- Touche 1 : lumière de nuit
- Touche 2 : lumière d'économie d'énergie
- Touche 3 : lumière de lecture brillante
- Touche 4 : éteignez

Veillez noter que le matériel d'assemblage n'est pas inclus dans ces paquets. Mais elles sont fournies dans le sac de matériel.

Page 36 :

Assemblage du kit d'éclairage à DEL

Ouvrez l'emballage du kit d'éclairage à DEL. Tout sera assemblé.

Commencez par déclipser la lampe à DEL de la prise de la lampe, comme indiqué...

Fiche de la lampe

Déclipser

Lumière à DEL

Ensuite, vous devez démonter la lampe à DEL. Dévissez le couvercle de la base, puis retirez la lentille.

Mettez ces pièces de côté en toute sécurité.

Couvercle

Lentille

Base

Module d'éclairage

Page 37 :

Placez le transformateur (21a) à l'endroit indiqué.

Enfilez la fiche d'alimentation (21b) devant le longeron inférieur (K) si cela est nécessaire pour la source d'alimentation.

Page 38 :

Mettez l'appareil en position verticale avec l'aide d'une autre personne. Au cours de ces étapes, permettez à l'autre personne de maintenir fermement l'appareil pour éviter qu'il ne bascule. Placez le disque du capteur tactile (22) à l'emplacement indiqué sur la tablette inférieure (L).

Français

Page 39 :

Avec l'aide d'une autre personne qui maintient l'appareil en position verticale, prenez le capteur à boucle (21c) qui est connecté au transformateur (21a) et placez-le sous l'étagère inférieure (L) à l'emplacement du trou du disque du capteur tactile (22). Faites passer la vis (13) à travers le capteur à boucle et vissez-la dans le disque du capteur tactile (22).

Page 40 :

Avec l'aide d'une autre personne qui maintient l'appareil en position verticale, assemblez les lampes à DEL (21d) démontées sur la partie supérieure (C) à l'aide de la vis (11). Faites passer les fils des DEL (21d) à travers les trous prévus dans la partie supérieure (C) pour permettre aux fils d'être sur le dessus de la partie supérieure (C).

Page 41 :

Avec l'aide d'une autre personne qui maintient l'appareil en position verticale, faites passer les fils de l'éclairage à DEL dans la sellette (17) de la partie supérieure (C). Tirez les fils vers l'arrière de l'appareil. Clipsez les fiches d'éclairage (21d) (qui sont fixées dans le transformateur) dans les fils d'éclairage à DEL.

Page 42 :

Assemblez à nouveau les DEL. Placez d'abord la lentille dans le socle, puis revissez le couvercle sur le socle, comme indiqué ci-dessous.

Ajustez les fils si nécessaire. Assurez-vous que la fiche d'alimentation est bien enfilée là où se trouve la prise de courant. Placez-la contre le mur.

Branchez la prise et assurez-vous que la DEL et le disque du capteur tactile fonctionnent correctement.

Base

Lentille

Couvercle

Page 43 :

Les étapes suivantes consistent à fixer votre appareil au mur. Les étapes de la fixation murale sont décrites aux pages 44 à 52.

Les étapes suivantes doivent être réalisées par un professionnel.

La deuxième personne peut vous aider en maintenant le meuble en position pendant que le professionnel effectue les étapes d'alignement, de mise à niveau et d'installation.

L'appareil DOIT être d'équerre (hauteur, largeur et profondeur) pour fonctionner correctement.

L'appareil DOIT être placé contre le mur.

L'appareil DOIT être vissé dans trois montants muraux DIFFÉRENTS en haut et en bas pour des raisons de sécurité.

Le professionnel doit choisir le matériel approprié pour installer l'appareil sur la structure du mur. La quincaillerie fournie comprend des options pour les montants en bois, les montants métalliques et le béton.

N'utilisez PAS de chevilles pour installer votre appareil au mur.

Ce produit n'est pas destiné à être déplacé, modifié, désinstallé ou démonté une fois qu'il a été installé par un professionnel. Choisissez soigneusement votre lieu d'installation avec l'aide du professionnel.

Page 44:

Placez soigneusement l'appareil à plat contre le mur.

Des encoches sont prévues à l'arrière de votre appareil. Ces encoches s'adaptent à la plinthe de votre mur. Si votre plinthe est plus haute ou plus épaisse que les encoches prévues sur l'appareil, vous devrez retirer la plinthe, la couper pour qu'elle s'adapte aux deux côtés de l'appareil, puis la fixer à nouveau au mur.

Page 45 :

À l'aide d'un niveau, assurez-vous que l'appareil est d'équerre (hauteur, largeur et profondeur) pour fonctionner correctement.

Si nécessaire, dévissez les patins dans le sens inverse des aiguilles d'une montre dans les quatre coins jusqu'à ce que l'appareil soit de niveau dans toutes les directions.

Une échelle sera nécessaire. Ne vous appuyez pas sur la partie supérieure de l'appareil, vous risqueriez de l'affaïsser.

Veillez noter les étapes suivantes : la cantonnière (E) a été enlevée pour mieux montrer les trous dans le panneau arrière supérieur (G).

Français

Page 46 : Quel genre de mur a-t-il ?

Pour les étapes 36 et 37, vous devrez choisir entre deux types de vis en fonction du type de mur sur lequel vous installez ce produit.

Poteaux en bois et en métal - Suivez les étapes 36 et 37 - Accédez aux pages sur les goujons en bois et en métal pour obtenir des instructions. Pages 47 et 48.

Béton - Suivez les étapes 36 et 37 - Accédez aux pages concrètes pour trouver des instructions. Pages 50 et 51.

Page 47 :

Trouvez au moins 3 goujons DIFFÉRENTS dans une direction horizontale, mais il est préférable d'en utiliser 4.

Trouvez des goujons sur le mur à l'aide d'un détecteur de goujons. À l'aide d'un crayon, marquez l'emplacement des goujons sur la surface supérieure du panneau du haut du dos (G), où se trouvent les renforcements pré-perçés. À l'aide d'un niveau, amenez les emplacements verticaux au stringer inférieur (K) et à l'aide d'un crayon, marquez les emplacements verticaux dans les renforcements pré-perçés fournis.

Vous aurez besoin d'une échelle. Ne vous appuyez pas contre le haut de l'appareil, car il peut couler.

Page 48 :

Comme le montre la vue de droite, fixez l'appareil aux montants du mur à l'aide de la vis (3) et de la rondelle (25). La vue montre le panneau arrière supérieur (G), mais faites de même pour le longeron inférieur (L). Vous devez visser au moins 3 vis dans 3 montants muraux différents, dans le sens horizontal, mais 4 sont préférables pour les parties G et K.

Vous aurez besoin d'une échelle. Ne vous appuyez pas sur la partie supérieure de l'unité, cela pourrait provoquer un affaissement.

Page 49 :

Exemple de quatre vis placées horizontalement dans les montants muraux des parties G et K.

Veuillez noter qu'il ne s'agit que d'un exemple : toutes les distances entre les poteaux muraux sont différentes.

Français

Page 50 :

Choisissez quatre trous horizontaux pré-perçés de manière égale sur le panneau arrière supérieur (G). Portez et utilisez les mêmes trous pré-perçés jusqu'à la lisse inférieure (K).

À l'aide d'un crayon, marquez les emplacements sur la surface supérieure du panneau arrière supérieur (G) où les trous pré-perçés sont prévus. À l'aide d'un niveau, reportez les emplacements jusqu'à la lisse basse (K) et, à l'aide d'un crayon, marquez les emplacements où se trouvent les trous pré-perçés.

Une échelle sera nécessaire. Ne vous appuyez pas sur la partie supérieure de l'unité, cela pourrait provoquer un affaissement.

Page 51 :

Tout d'abord, assurez-vous que votre appareil est toujours de niveau dans toutes les directions.

Comme le montre la vue de droite, fixez l'appareil au mur en béton à l'aide de la vis (24) et de la rondelle (25). La vue montre le panneau arrière supérieur (G), mais faites de même pour le longeron inférieur (K).

Vous devez visser au moins trois vis à trois endroits différents, dans le sens horizontal, mais il est préférable d'en visser quatre sur les parties G et K.

Vous aurez besoin d'une échelle. Ne vous appuyez pas sur la partie supérieure de l'unité, cela pourrait provoquer un affaissement.

Page 52 :

Exemple de 4 vis placées horizontalement dans les montants muraux des parties G et K.

Veuillez noter qu'il ne s'agit que d'un exemple : toutes les distances entre les poteaux muraux sont différentes.

Page 53 :

Les étapes suivantes consistent à assembler le mécanisme du cadre de lit en métal et les panneaux de porte. Les étapes d'assemblage couvrent les pages 54 à 67.

Comme indiqué à la page 2 : Choisissez l'une des deux options ci-dessous...

Vous pouvez continuer à utiliser le professionnel et une deuxième personne,
ou

Utilisez deux personnes qui ont de l'expérience dans le montage de meubles prêts à être assemblés.

Deux personnes sont nécessaires pour :

Soulever et fixer les pièces du lit à l'aide de la quincaillerie

Ces pièces se trouvent dans le carton #3678096COM Mécanisme de lit mural.

Français

Page 54 :

Tout d'abord, enfoncez chaque pied en caoutchouc (20u) dans chaque trou de la jambe (20c) comme indiqué ci-dessous. Ensuite, joignez et assemblez les cadres gauche et droit (20a et 20b) comme indiqué ci-dessous à l'aide des boulons (20o) et de la clé hexagonale fournie (20s).

Vous pouvez utiliser un maillet en caoutchouc pour faciliter l'assemblage des deux cadres.

Page 55 :

Placez les quatre supports en U (20i) aux emplacements prévus. Utilisez les boulons (20o) et les rondelles (20q) pour assembler les supports en U (20i) aux assemblages du cadre de lit (20a et 20b) comme indiqué. Utilisez la clé hexagonale fournie (20s) pour l'assemblage.

Les quatre emplacements du support en U (20i) se trouvent à l'endroit où se trouvent les trous dans les côtés du cadre (20a et 20b).

Page 56 :

Assemblez les supports de matelas (20d) aux cadres (20a et 20b) à l'aide des boulons (20p), comme illustré à droite. Utilisez la clé hexagonale fournie (20s) pour l'assemblage.

Page 57 :

Extrémité longue. Extrémité courte.

Assemblez deux pistons (20h) de chaque côté du cadre de lit à l'aide d'axes de chape (20l) et fixez chacun d'eux à l'aide d'une goupille fendue (20n).

L'extrémité « longue » de chaque piston doit être fixée au cadre. Les extrémités des deux pistons doivent être insérées dans la rainure du cadre de lit lorsqu'ils sont assemblés.

Page 58 :

L'armoire n'est pas montrée pour permettre une vue claire de l'assemblage du cadre du lit.

Avec une personne de chaque côté, soulevez le cadre du lit assemblé, alignez les trous du cadre avec le grand trou de la bague du bras pivotant gauche et droit (20e et 20f) déjà installé sur l'armoire de votre unité, et insérez les goupilles pivotantes (20k) comme illustré. Fixez les axes de pivotement à l'aide d'un boulon de 10 mm (20p). Utilisez la clé hexagonale fournie (20s) pour l'assemblage.

Les pistons ont été retirés de l'image pour mieux voir l'étape.

Déjà fixés à l'unité

Ne fixez pas les pistons aux bras pivotants gauche et droit à ce stade, vous le ferez à l'étape 43.

Page 59 :

Étape critique... Veuillez lire attentivement les instructions ! Avec une personne de chaque côté, soulevez avec précaution le sommier en position fermée. Pendant qu'une personne pousse le cadre du lit dans l'armoire, au-delà de 90 degrés, l'autre personne doit engager le piston à gaz « avant » (20h) de chaque côté de l'unité, dans la goupille avant du bras pivotant gauche et droit (20e et 20f). Fixez ensuite fermement avec deux écrous (20r) à l'aide de la clé (20t) fournie. Pour engager le piston à gaz « arrière » (20h) de chaque côté de l'unité, remuez lentement et soigneusement le cadre du lit d'avant en arrière jusqu'à ce que vous puissiez insérer les pistons à gaz (20h) sur la goupille arrière du bras pivotant gauche et droit (20e et 20f). Fixez ensuite fermement avec deux écrous (20r) à l'aide de la clé (20t) fournie.

Cette étape est poursuivie à la page suivante...

Page 60 :

Cette image montre le cadre de lit poussé dans l'armoire, au-delà de 90 degrés.

Cadre de lit

90 DEGRÉS (LORSQUE LE SOMMIER EST DANS LA POSITION LA PLUS VERTICALE)

Remarque : Il est normal de voir le sommier dans cet état avant l'installation des pistons à gaz.

Page 61 :

Assurez-vous que le cadre de lit est entièrement assemblé au meuble. (Cette étape peut se faire à deux.) Une fois que vous en êtes certain, tirez délicatement le cadre de lit vers le bas, puis assemblez la jambe (20c) comme indiqué avec les axes de chape (20m) et les goupilles fendues (20n).

L'armoire n'est pas représentée afin de permettre une vue claire de l'assemblage du cadre de lit.

Appliquez l'étiquette d'avertissement ici

Le cadre de lit est équipé d'un mécanisme de verrouillage pour bloquer le pied (20c) en place. Pour verrouiller ou déverrouiller le pied, tirez sur le mécanisme de verrouillage.

Page 62, 63 :

Orientation correcte du support

Page 64 :

IMPORTANT :

Tout d'abord, déverrouillez et faites basculer le pied dans l'armoire. Ensuite, abaissez un peu le cadre du lit afin de dégager l'espace nécessaire pour accrocher les panneaux de porte (O et P).

Cette étape peut se faire à deux. Soulevez avec précaution le panneau de porte gauche (O), placez les supports (16) sur les trois rails de support du cadre de lit et laissez-le tomber en position. Répétez la procédure pour le panneau de porte droit (P).

L'armoire n'est pas représentée afin de permettre une vue claire de l'assemblage du cadre de lit.

Les trous dans les panneaux de porte (O et P) seront plus proches les uns des autres au centre.

Page 65 :

Tirez délicatement le cadre du lit pour l'ouvrir. (Cette opération peut nécessiter l'intervention de deux personnes.) Alignez les trous du cadre de lit sur ceux des panneaux (O et P) et fixez-les à l'aide des vis (10).

L'armoire n'est pas montrée pour permettre une vue claire de l'assemblage du cadre de lit.

Page 66 :

Fixez le rail d'arrêt (N) à la face inférieure de la partie supérieure (C) à l'aide des vis (10).

Enfoncez un capuchon en plastique (20j) à chaque extrémité d'une latte en bois (20g). Enfoncez les deux capuchons en plastique (20j), fixés à la latte de bois, dans les trous du cadre de lit métallique. Répétez la procédure pour les 28 lattes de bois et les 56 bouchons en plastique.

Une échelle sera nécessaire. Ne vous appuyez pas sur le haut de l'unité, cela pourrait provoquer un affaissement.

Glissez les lattes de bois sous les sangles à chaque coin.

Page 67 :

L'avant de l'unité n'est pas montré afin de permettre une vue claire du coup de pied et du fond.

Ouvrez légèrement le cadre

Pendant qu'une personne ouvre légèrement le cadre du lit et le maintient en place, insérez les boulons des connecteurs installés dans le coup de pied (F) dans les connecteurs du fond (D). Tournez les connecteurs dans le sens des aiguilles d'une montre pour les verrouiller.

Tournez dans le sens des aiguilles d'une montre pour verrouiller en place.

Français

Page 68: Charges maximales

Cet appareil a été conçu pour supporter les charges maximales indiquées. Le dépassement de ces limites de charge peut entraîner un affaissement, une instabilité, un effondrement du produit et/ou des blessures graves.

Ce lit est conçu pour accueillir un matelas full, jusqu'à 10 pouces d'épaisseur.

* avec un poids maximum de 60 livres (27.2 kg)

* avec un poids minimum de 30 livres (13.6 kg)

Après avoir terminé l'installation et le montage de votre lit mural, veuillez conserver le manuel d'instructions en le plaçant sous le matelas, dans le cadre de la partie mobile du lit.

Veuillez noter :

Deux personnes peuvent être nécessaires pour ouvrir et fermer le lit.

Une fois que vous avez placé votre drap-housse sur votre matelas, fixez votre matelas à l'aide des sangles fournies aux quatre coins du cadre de lit.

Gardez le lit fermé lorsqu'il n'est pas utilisé.

Il est recommandé de ne pas laisser d'oreillers ou de coussins décoratifs en place lorsque le lit est fermé afin de préserver le mécanisme.

600 livres (272 kg) Plus le poids du matelas

Page 69 : Inscription

Enregistrez votre produit pour recevoir les informations suivantes:

- * Détails des nouvelles tendances - aperçu des nouveautés
- * Sondages : faites entendre votre voix au sein de notre communauté
- * Offres exclusives et codes de réduction
- * Service de remplacement des pièces rapide et facile

Pour enregistrer votre produit, rendez-vous sur le site ameriwoodhome.com.

Classement 5 étoiles

Rendez-vous sur le site Web de votre détaillant local, évaluez le produit que vous avez acheté et laissez-nous un commentaire!

Merci!