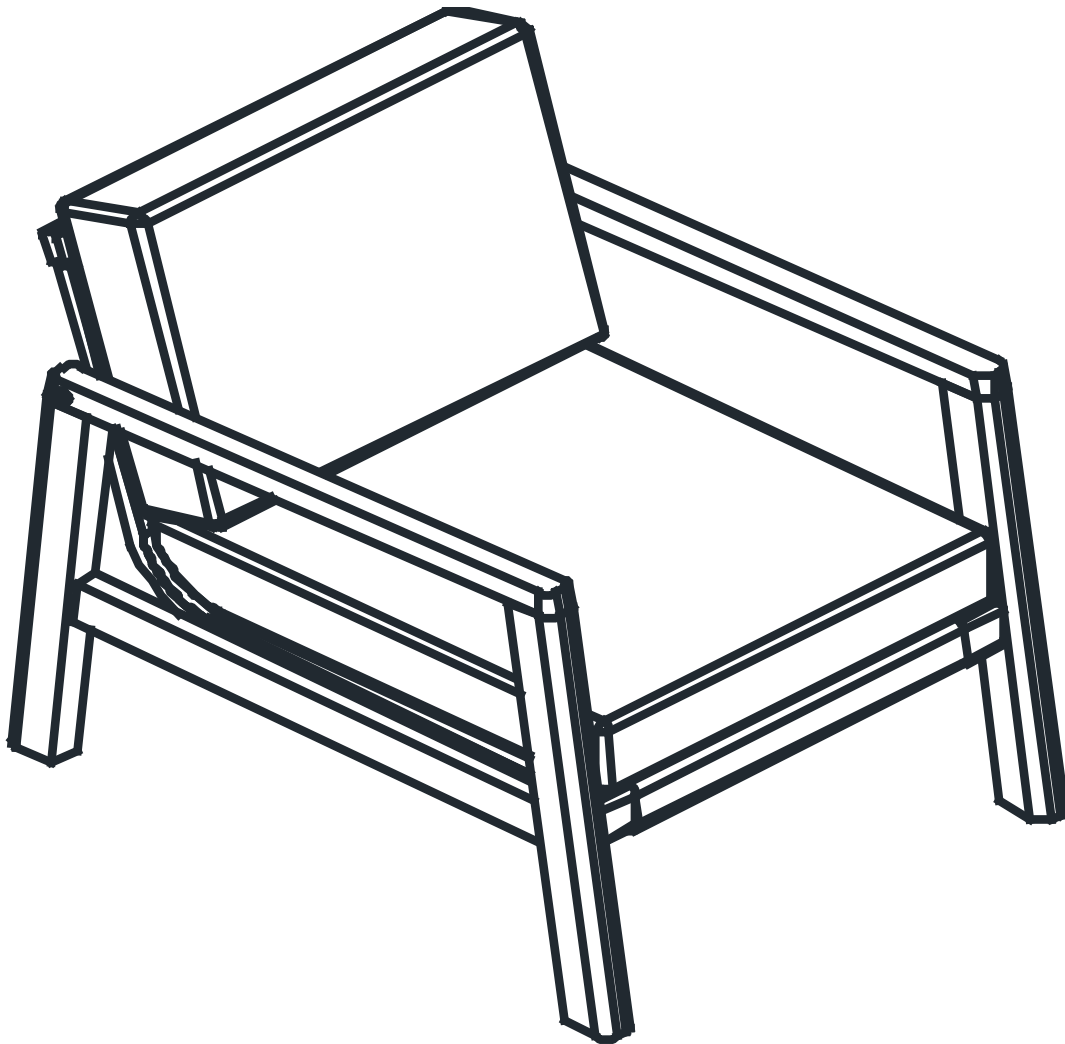


Assembly Instructions

Caution: You must read this before you proceed

Please look in the Left Leg for hardware packs

CHAIR

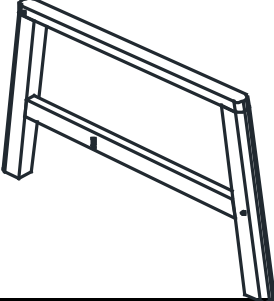
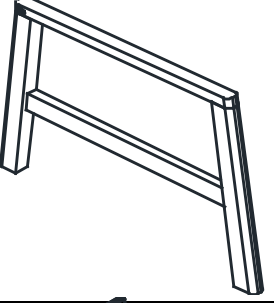
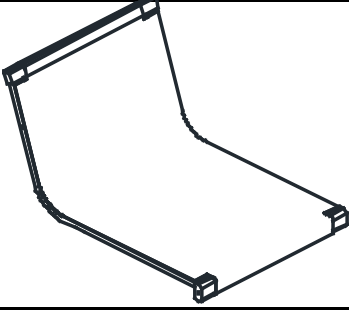
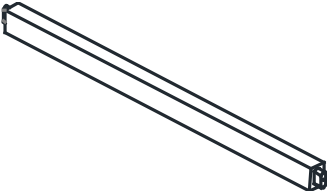
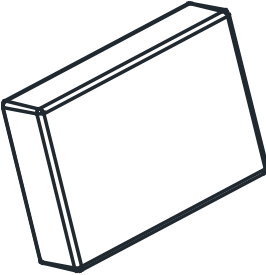
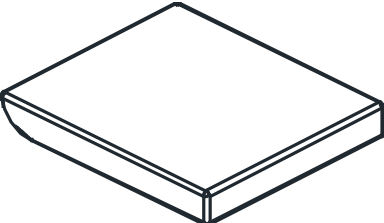


CAUTION: This Chair is NOT a TOY.

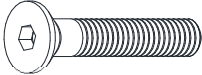




Keep your child / children at bay during the assembly process

For turning the Chair and to prevent damage to the Chair, 02 persons may be needed to execute this action

Parts List

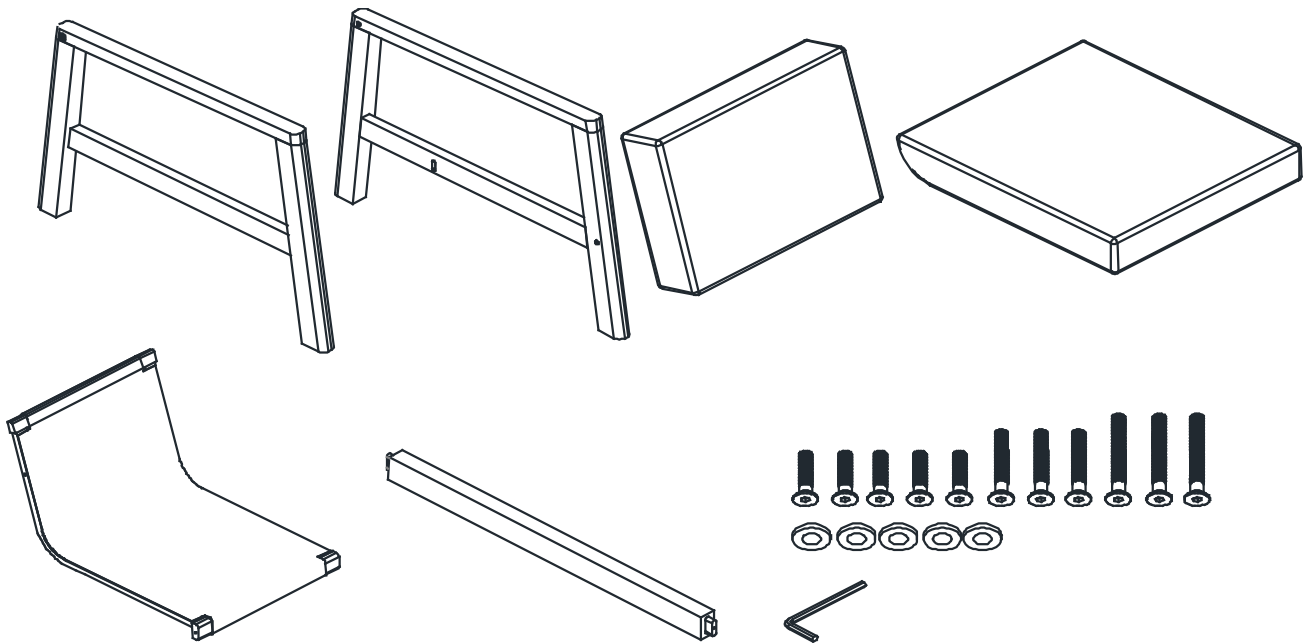
Label	Picture	Description	QTY
A	 A 3D line drawing of a right leg, showing a vertical post and a horizontal support bar.	Right leg	1
B	 A 3D line drawing of a left leg, showing a vertical post and a horizontal support bar.	Left leg	1
C	 A 3D line drawing of a seat panel, showing a rectangular shape with rounded corners and a central cutout.	Seat Panel	1
D	 A 3D line drawing of a support bar, showing a long, thin rectangular bar.	Support bar	1
E	 A 3D line drawing of a back cushion, showing a rectangular shape with a thick, padded appearance.	Back Cushion	1
F	 A 3D line drawing of a seat cushion, showing a square shape with a thick, padded appearance.	Seat Cushion	1

Hardware

Label	Picture	Description	QTY
①		Bolt (M6x20 mm)	5
②		Bolt (M6x40 mm)	3
③		Bolt (M6x60 mm)	3
④		Washer (M6/14x1mm)	5
⑤		Allen Key	1

Assembly Preparation

Before Beginning Assembly:



- Read instructions, cover to cover-



- Have 2 adults on hand for assembly-



- Do not assemble on flooring or carpet-



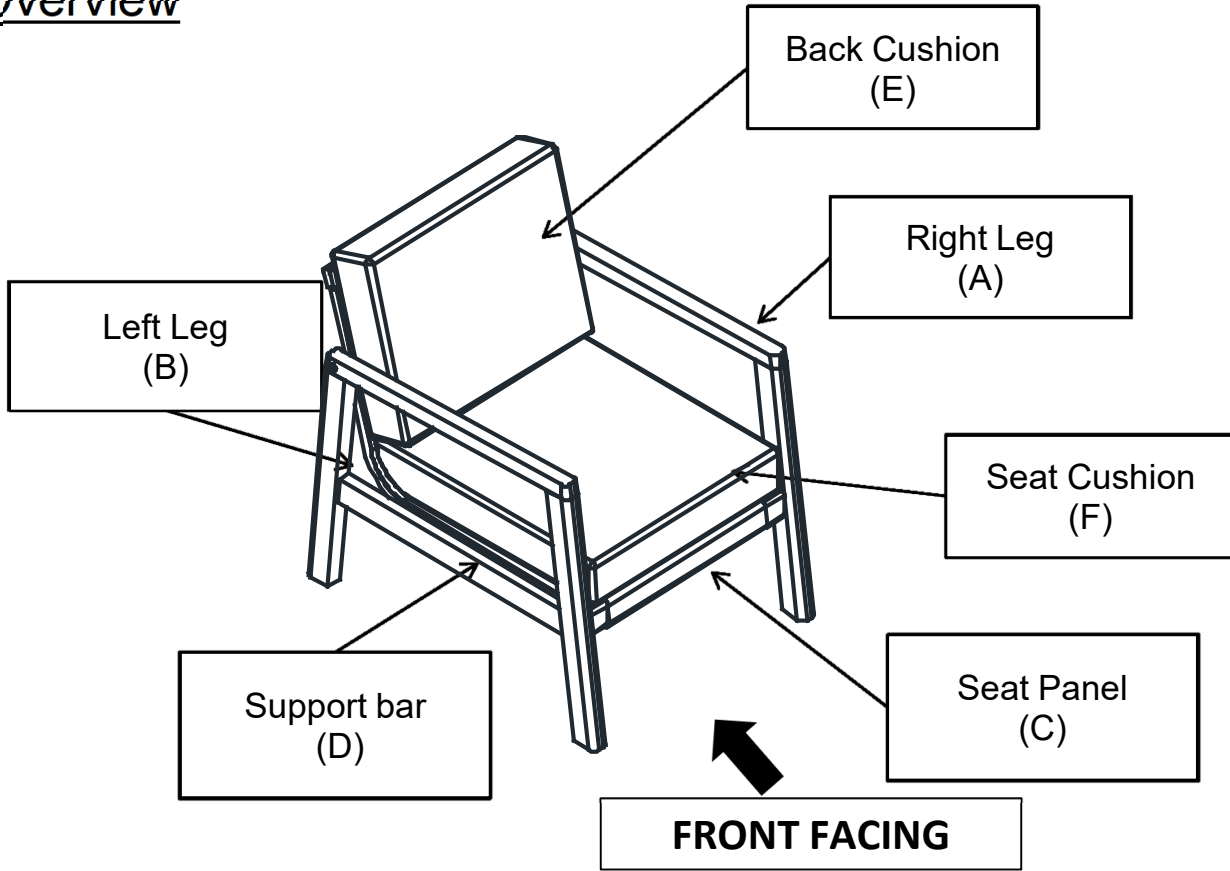
- Assemble on a clean non-marring surface (packing foam)-



- Save all packaging until finished-

Assembly Steps

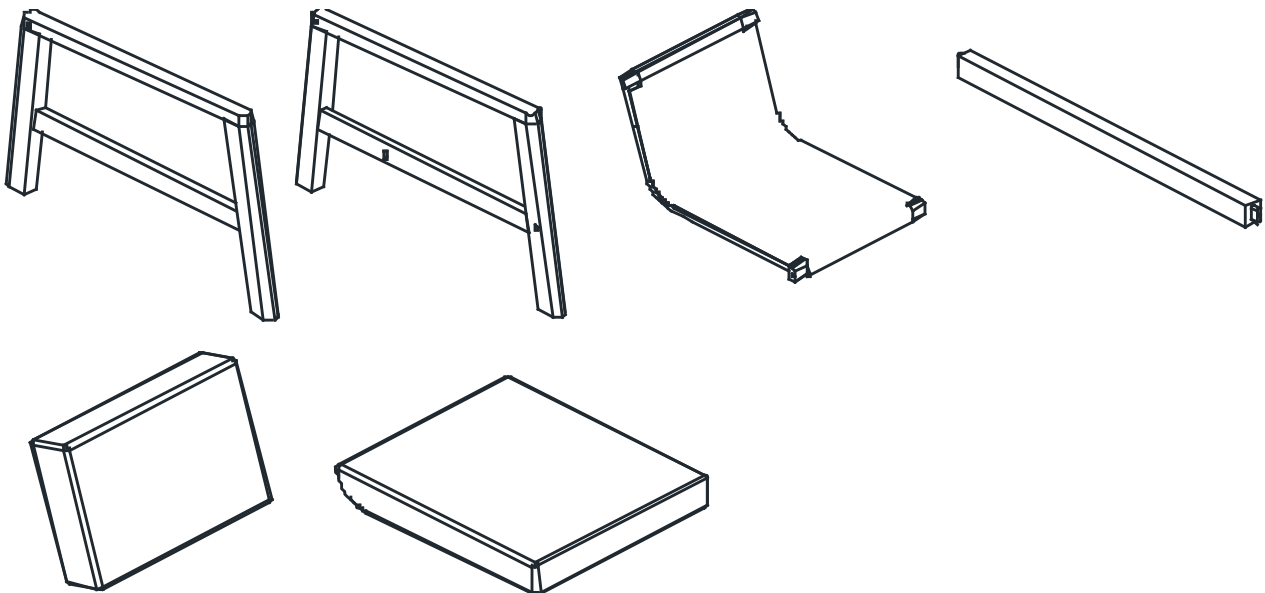
Overview



This Chair has multiple parts and may require up to some 30 minutes to assemble. To give you an overview of the Chair, the above picture is to help you put the various parts into perspective.

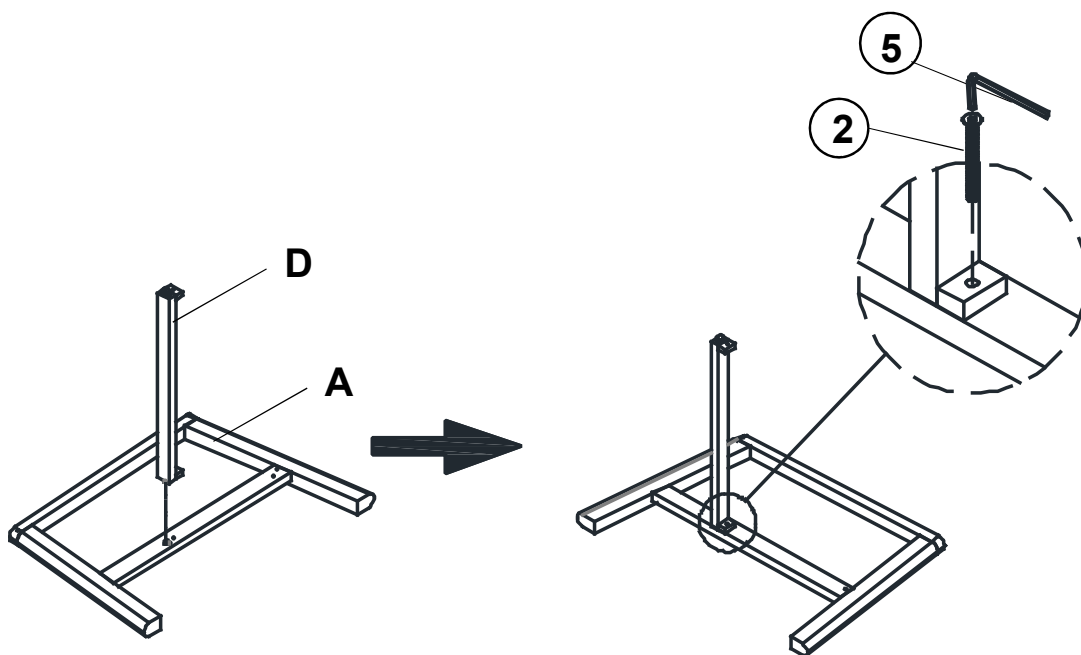
Please read through the instructions here below to familiarise the parts and steps before assembly.

Step 1



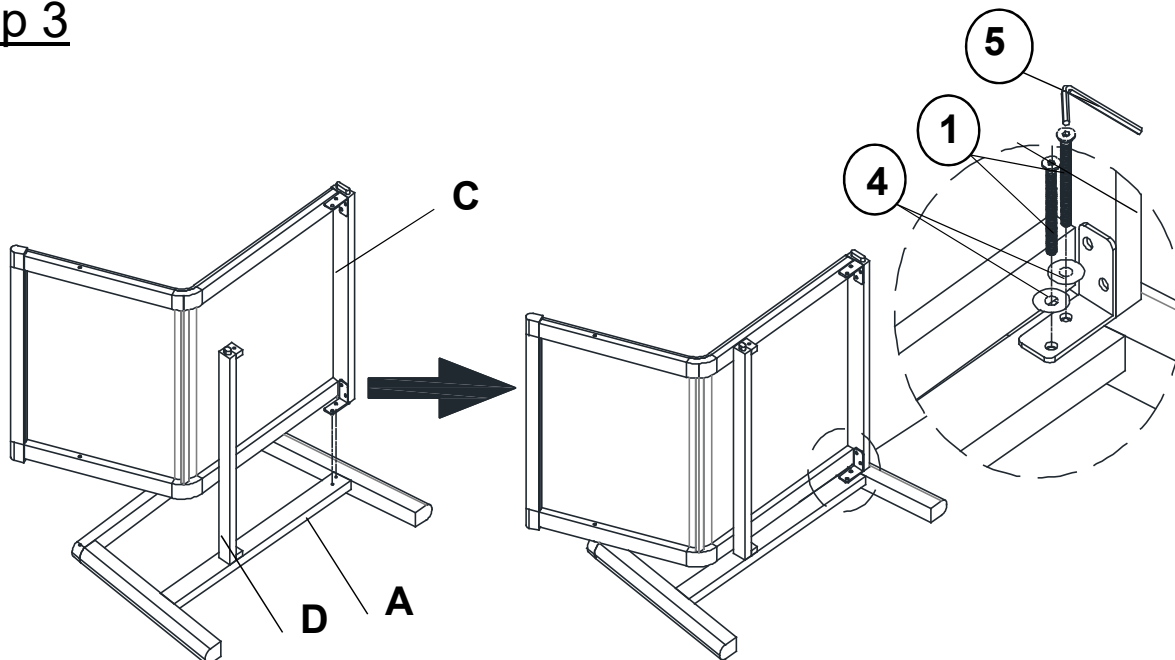
Unpack and place all parts on a clean, non-marring surface.

Step 2



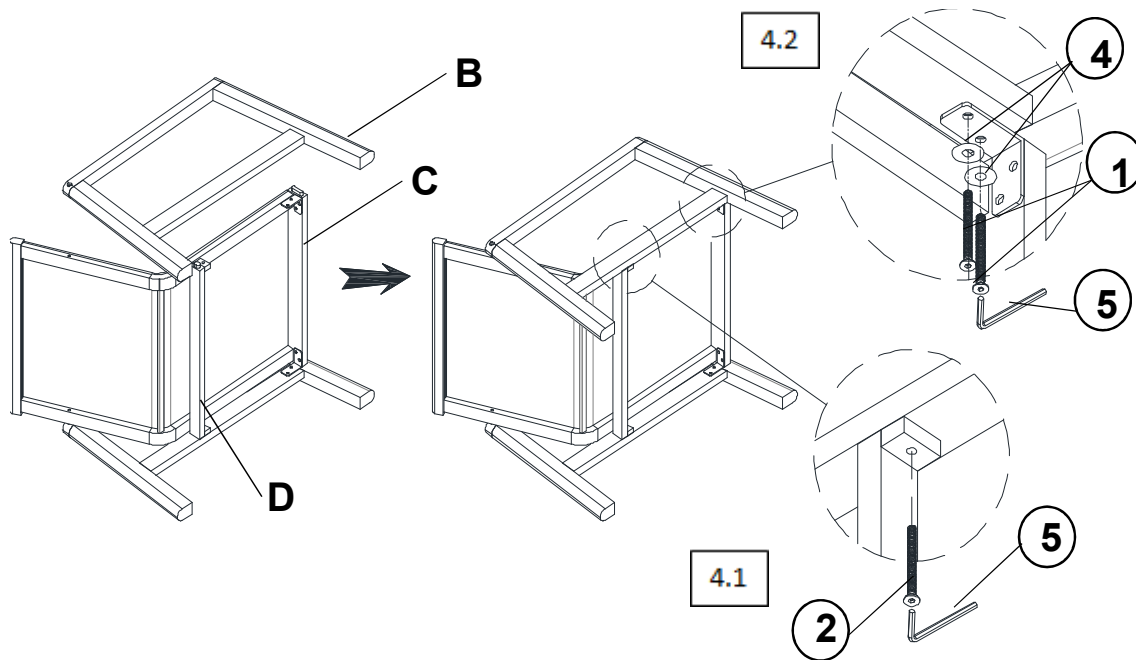
Place the Right Leg (A) facedown onto a clean, non-marring surface. Position Support Bar (D) to Right Leg (A) as shown in the above picture, then attach Support Bar (D) to Right Leg (A) by using Bolt (②) with Allen Key (⑤).
Do not fully tighten the Bolts.

Step 3



With assistance from your adult partner, position Seat Panel (C) to Right Leg (A) as shown in the above picture. Secure Seat Panel (C) to Right Leg (A) by using Bolts (①) and Washers (④) with Allen Key (⑤).
Do not fully tighten the Bolts.

Step 4

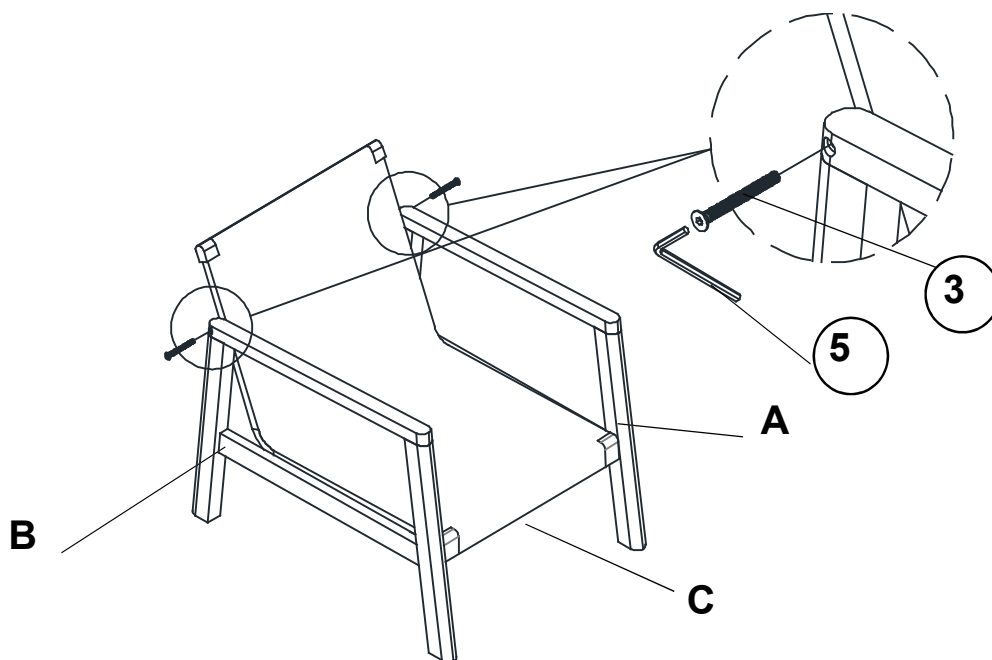


4.1. Attach Left Leg (B) to Support Bar (D) by using Bolt (2) with Allen Key (5).

4.2. Secure Left Leg (B) to Seat Panel (C) by using Bolts (1) and Washers (4) with Allen Key (5).

Do not fully tighten the Bolts.

Step 5

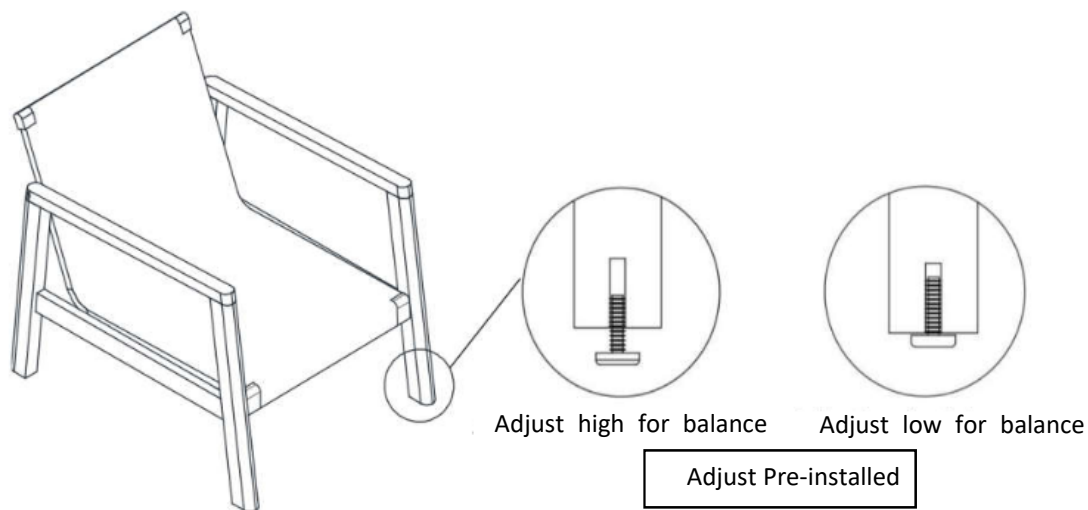


With the assistance from your adult partner, stand the assembled parts in step 4 up.

Secure the Right Leg (A) and Left Leg (B) to Seat Panel (C) by using Bolts (3) with Allen Key (5).

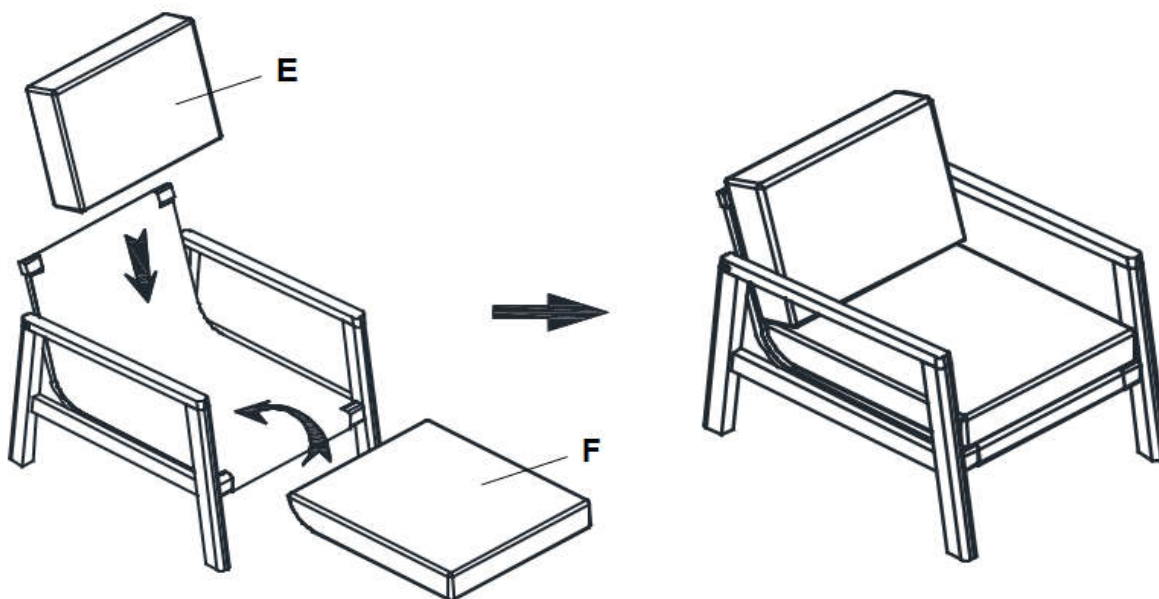
Do not fully tighten the Bolts.

Step 6























Inspect the Chair and make sure all parts are adequately connected.
Carefully sit onto the Chair. This pressure will help align all parts at all joints.
In a sequential manner, tighten all Bolts at all joints.
Adjust the Levellers until the Chair is level with the ground.
To adjust the Levellers, get assistance from an adult partner to lift/lean and hold the Chair while you are working.

Step 7



Place the Seat Cushion (F) and the Back Cushions (E) onto the Chair as shown above.
Inspect it and make sure all parts are adequately connected.
Ensure all bolts are fully locked into position and secured.
Your Chair is ready to be used.
This Chair can only be used on a flat, level surface.

Care & Maintenance

-   ● Do not put hot items directly on furniture surface
 -   ● Do not clean furniture with harsh cleansers or polish.
 -   ● To obtain the longest lifespan of your outdoor products, minimizing exposure to direct sunlight is recommended.
 -   ● Children should not climb or jump on the furniture.
 -   ● Do not write on furniture without a padded barrier to protect the surface.
 -   ● To obtain the longest lifespan of your outdoor products, avoid extended and lengthy exposure to rain, snow, and direct sunshine. Whenever possible cover the product and /or place under patio or awnings.
 -   ● Not for commercial use. For residential use only .
 -   ● Stains may be removed with mild soap solution and damp cloth.
 -   ● Keep away from sources of ignition.
-
-   ● Dust and pick-up spills using a clean, non-colored, lint-free cloth.