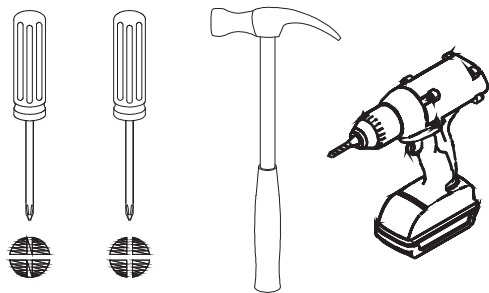
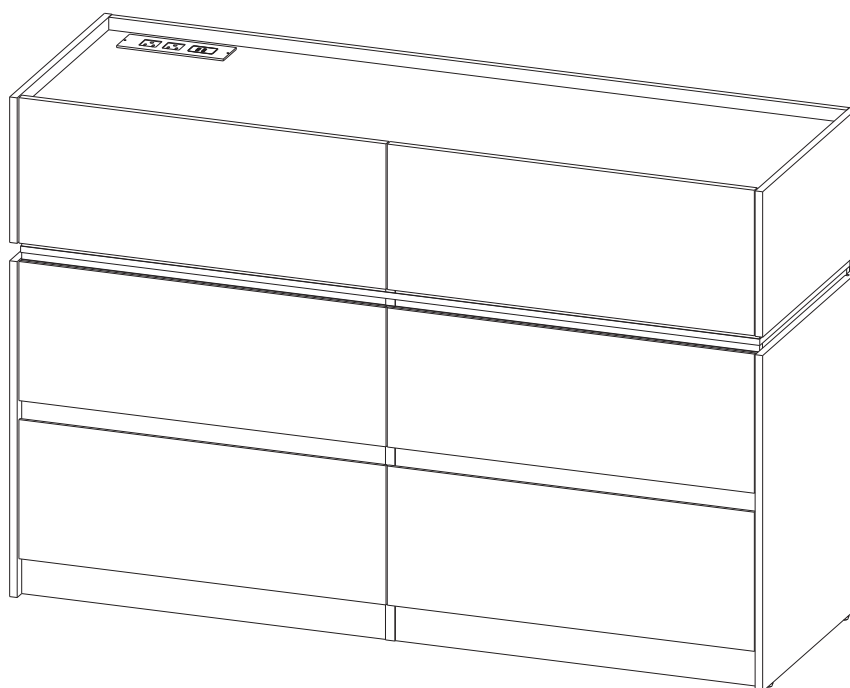
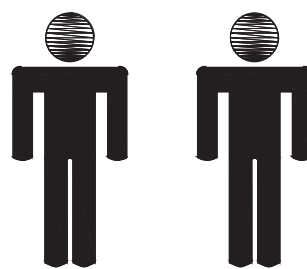


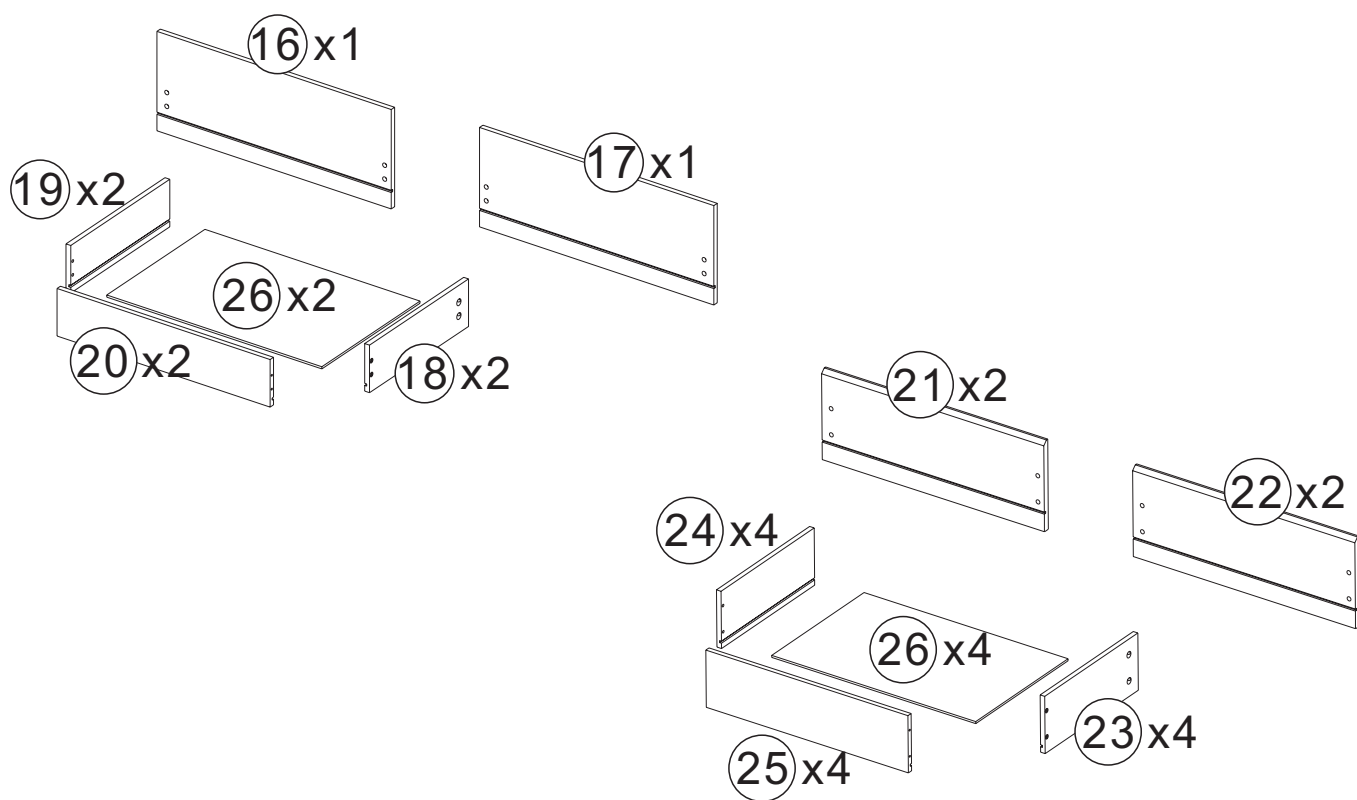
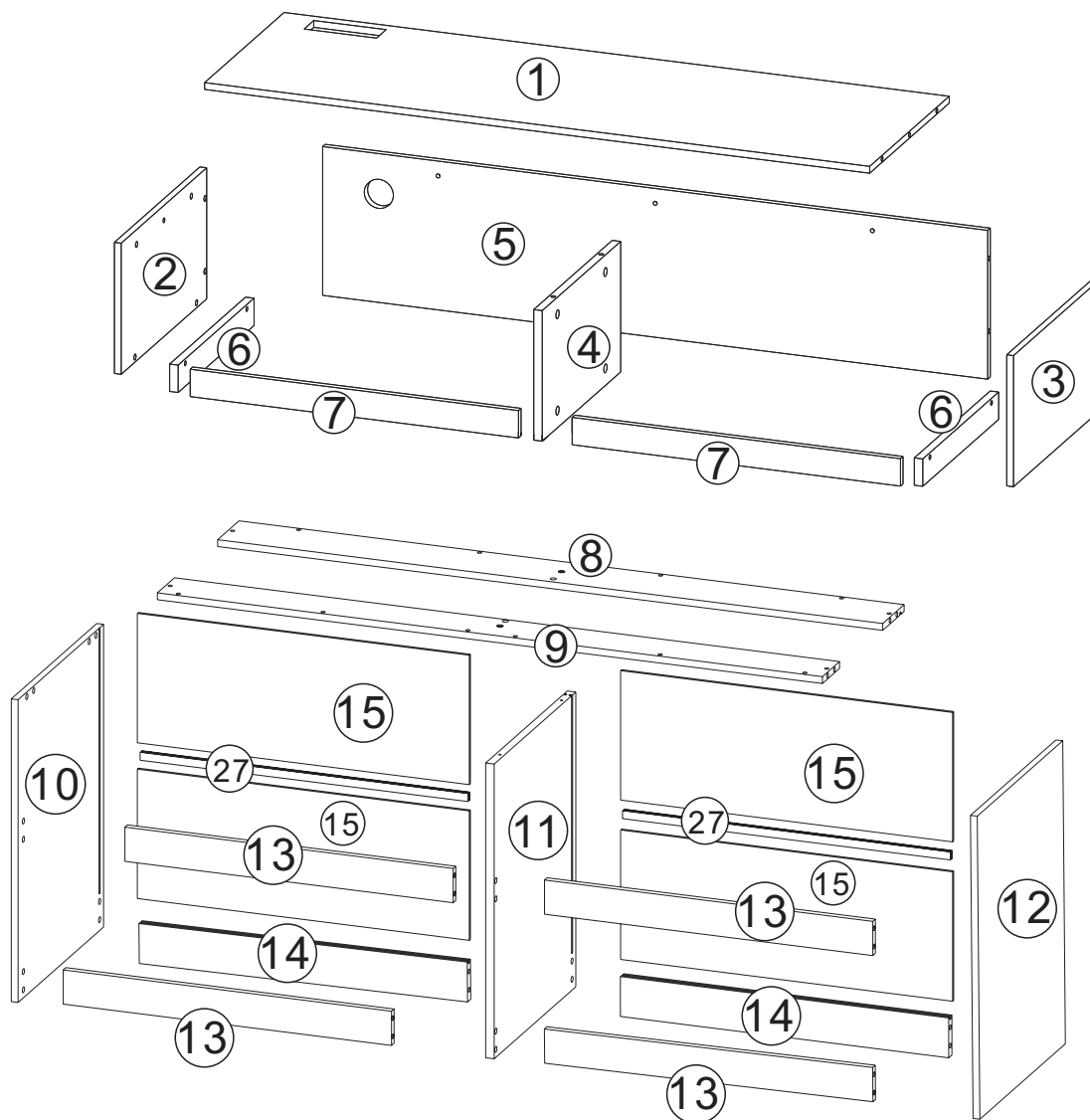
I870100373A1/A2

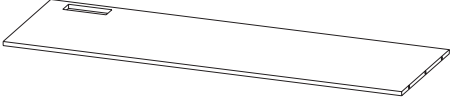
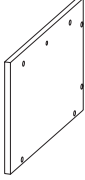
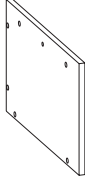
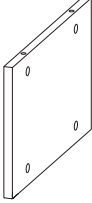
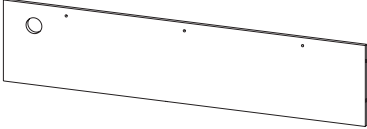
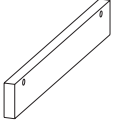

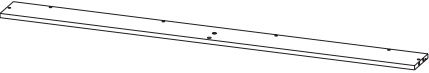

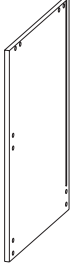


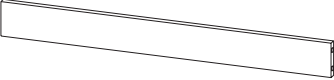

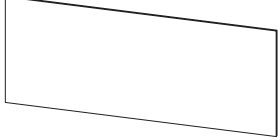
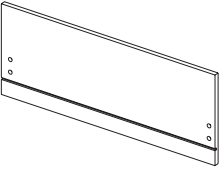
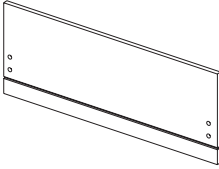
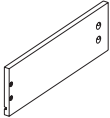
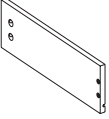
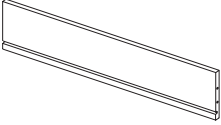
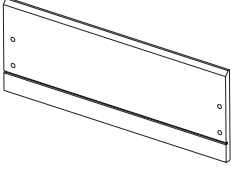
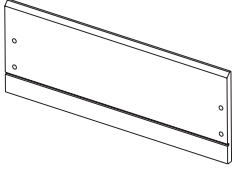
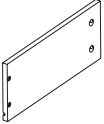
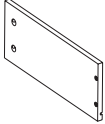
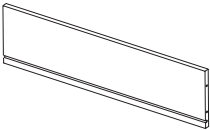
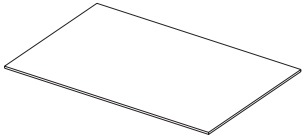



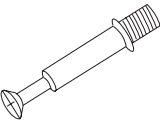

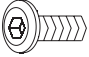



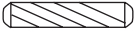





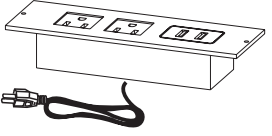
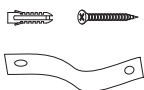

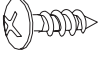

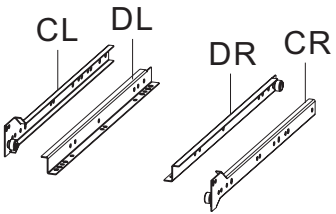


Tools required
(not included)



2 people for assembly

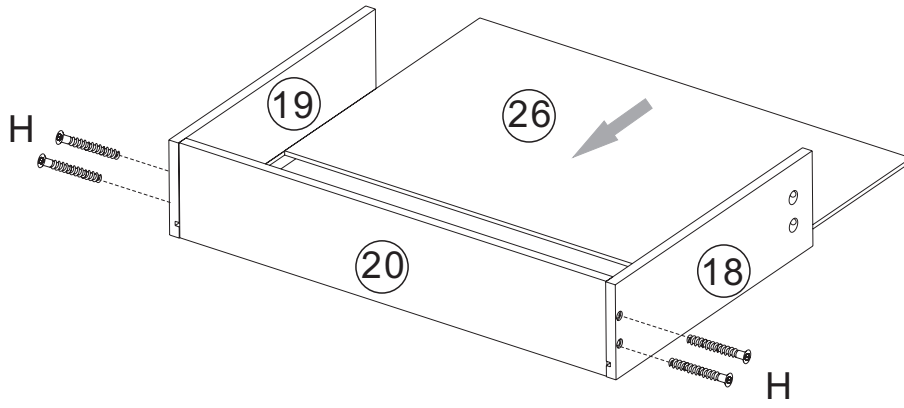


<p>① x1pc</p> 	<p>② x1pc</p> 	<p>③ x1pc</p> 
<p>④ x1pc</p> 	<p>⑤ x1pc</p> 	<p>⑥ x2pcs</p> 
<p>⑦ x2pcs</p> 	<p>⑧ x1pc</p> 	<p>⑨ x1pc</p> 
<p>⑩ x1pc</p> 	<p>⑪ x1pc</p> 	<p>⑫ x1pc</p> 
<p>⑬ x4pcs</p> 	<p>⑭ x2pcs</p> 	<p>⑮ x4pcs</p> 
<p>⑯ x1pc</p> 	<p>⑰ x1pc</p> 	<p>⑱ x2pcs</p> 
<p>⑲ x2pcs</p> 	<p>⑳ x2pcs</p> 	<p>㉑ x2pcs</p> 
<p>㉒ x2pcs</p> 	<p>㉓ x4pcs</p> 	<p>㉔ x4pcs</p> 
<p>㉕ x4pcs</p> 	<p>㉖ x6pcs</p> 	<p>㉗ x2pcs</p> 

<p>A</p>  <p>68+4PCS</p>	<p>B</p>  <p>68+4PCS</p>	<p>C</p>  <p>M6x22mm 4+1PCS</p>	<p>D</p>  <p>ST3x16mm 20+2PCS</p>
<p>E</p>  <p>20+2PCS</p>	<p>F</p>  <p>ST3x12mm 62+4PCS</p>	<p>G</p>  <p>φ 6x30mm 2PCS</p>	<p>H</p>  <p>ST5x40mm 43+4PCS</p>
<p>I</p>  <p>6+1PCS</p>	<p>J</p>  <p>1PC</p>	<p>K</p>  <p>1PC</p>	<p>L</p>  <p>5PCS</p>
<p>M</p>  <p>1PC</p>	<p>N</p>  <p>2PCS</p>	<p>O</p>  <p>ST3.5x12mm 2PCS</p>	<p>P</p>  <p>ST3x12mm 5PCS</p>
<p>Q</p>  <p>φ 20 24+2PCS</p>	 <p>6PCS</p>	<p>M4</p>  <p>1PC</p>	<p>M3</p>  <p>1PC</p>

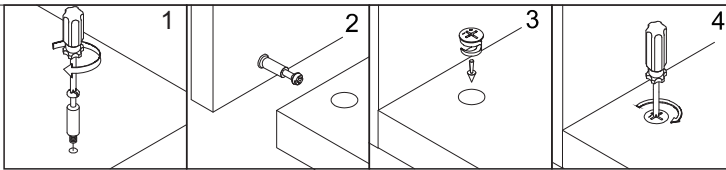
1

Hx8



x2

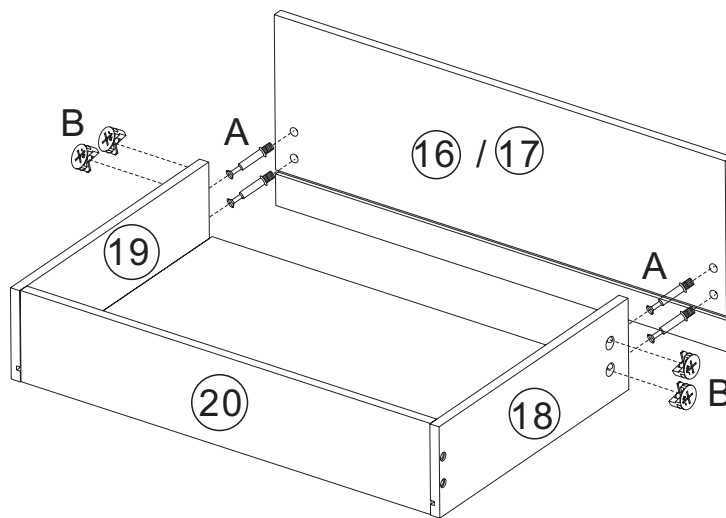
2



Ax8

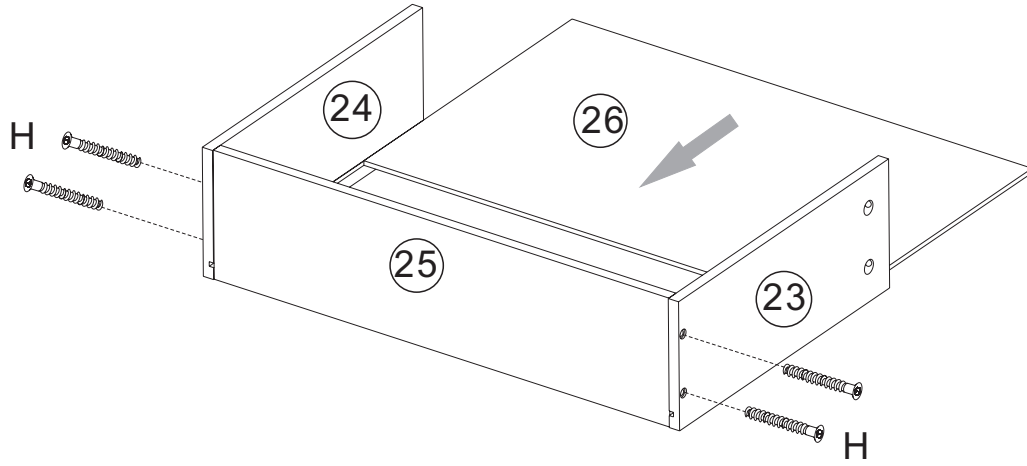


Bx8



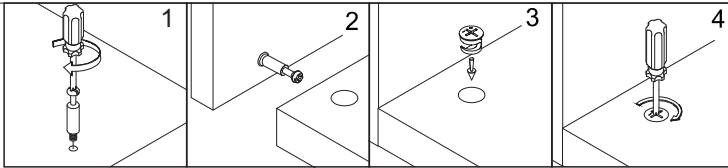
3

Hx16



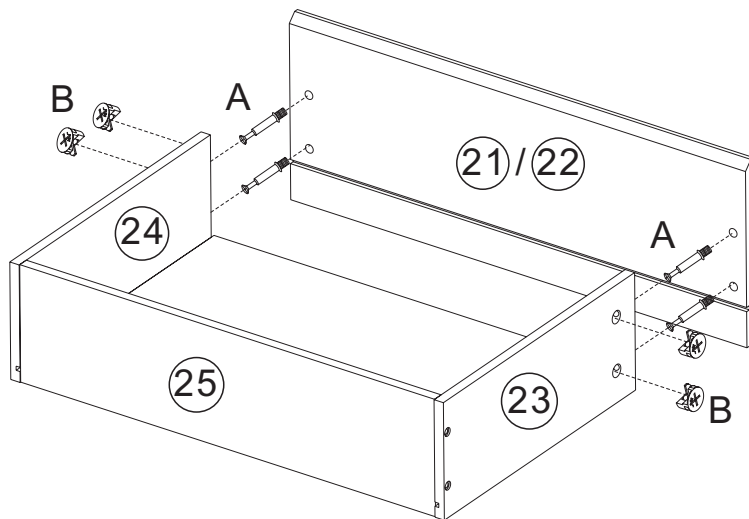
x4

4



Ax16

Bx16

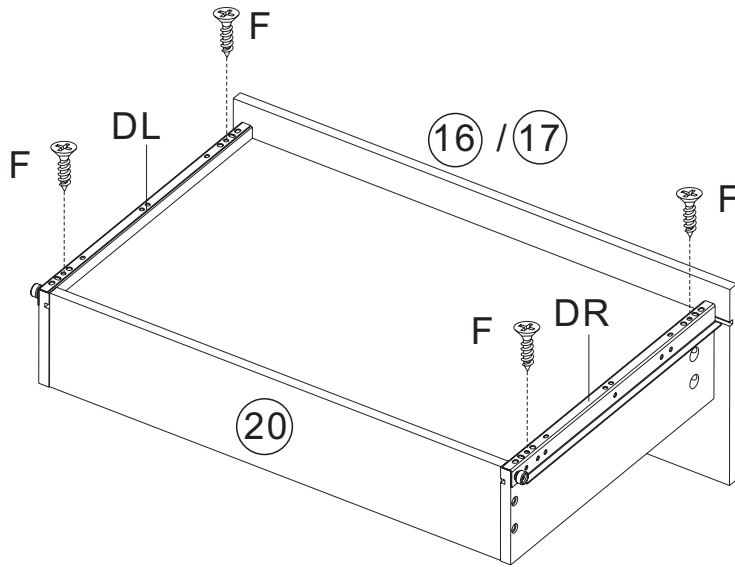
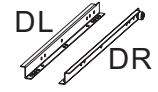


x2

5

x2

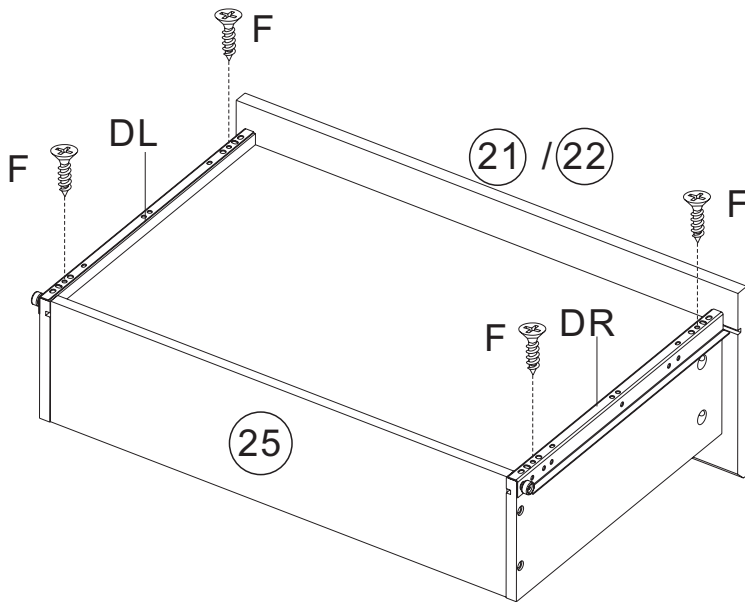
Fx8



6

x4

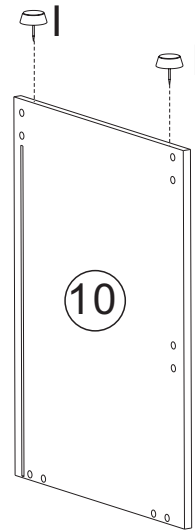
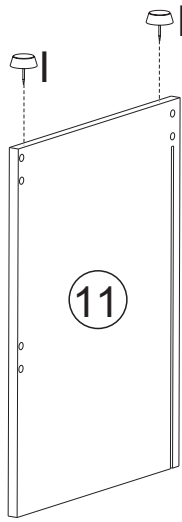
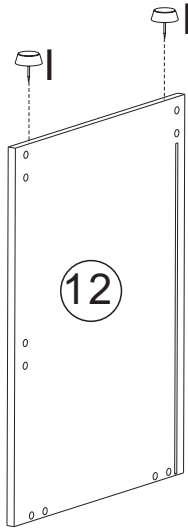
Fx16



x2

7

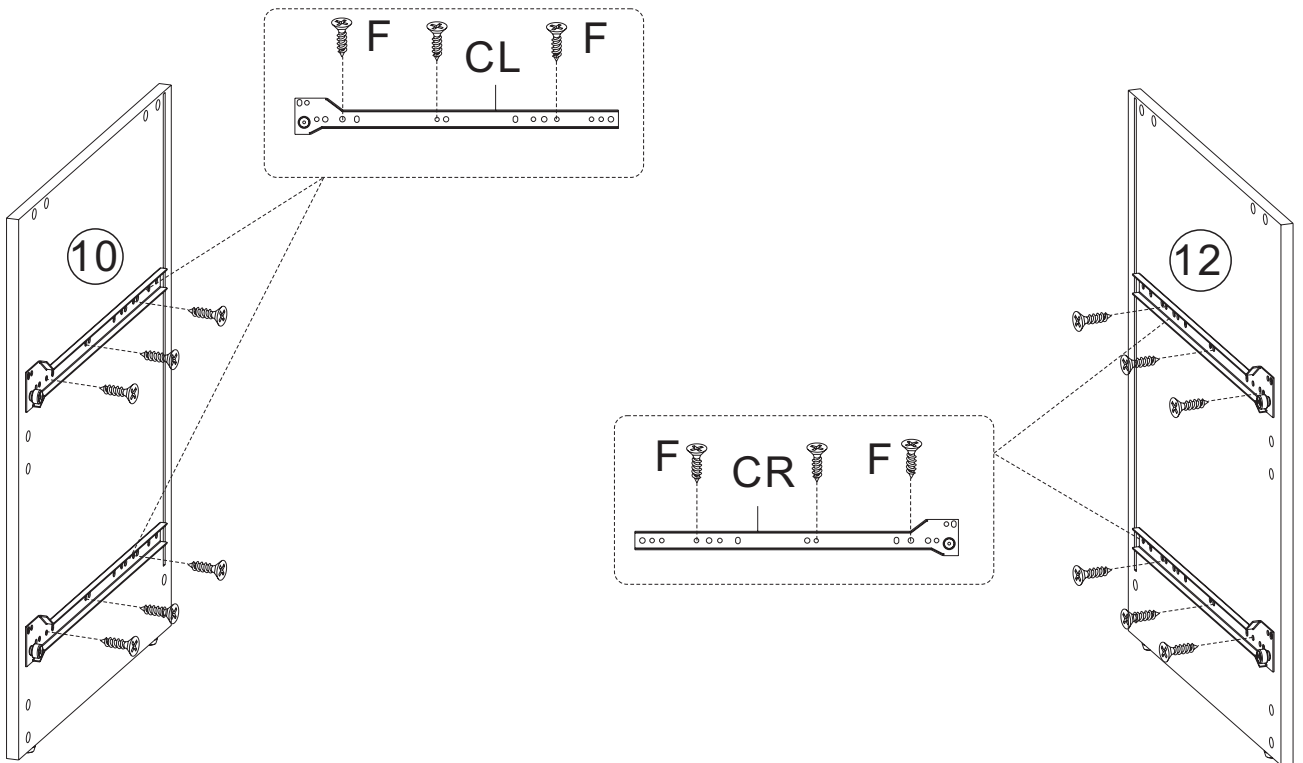
1x6



8

x2

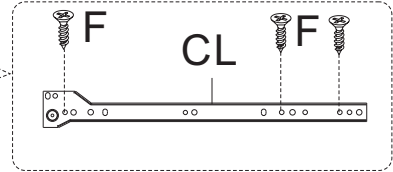
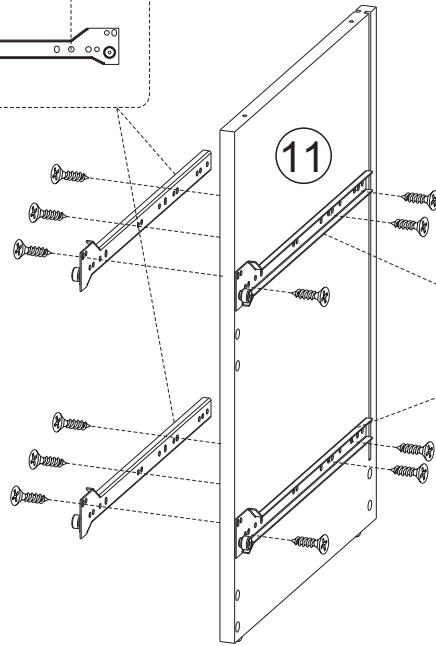
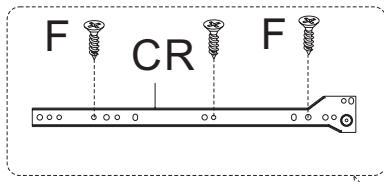
Fx12



9

x2

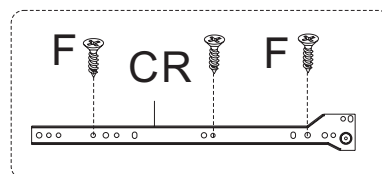
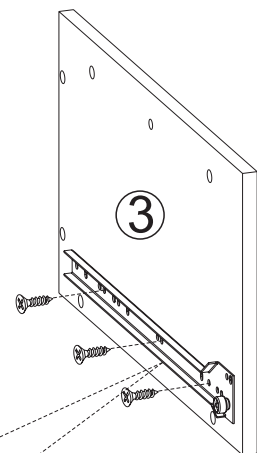
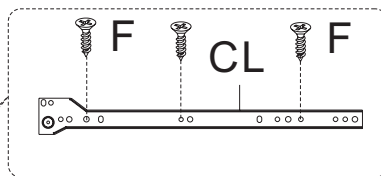
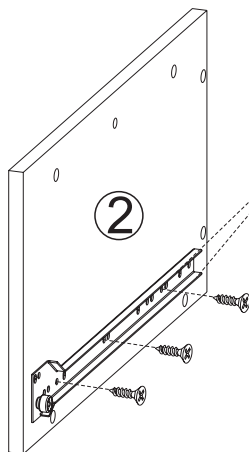
Fx12




10

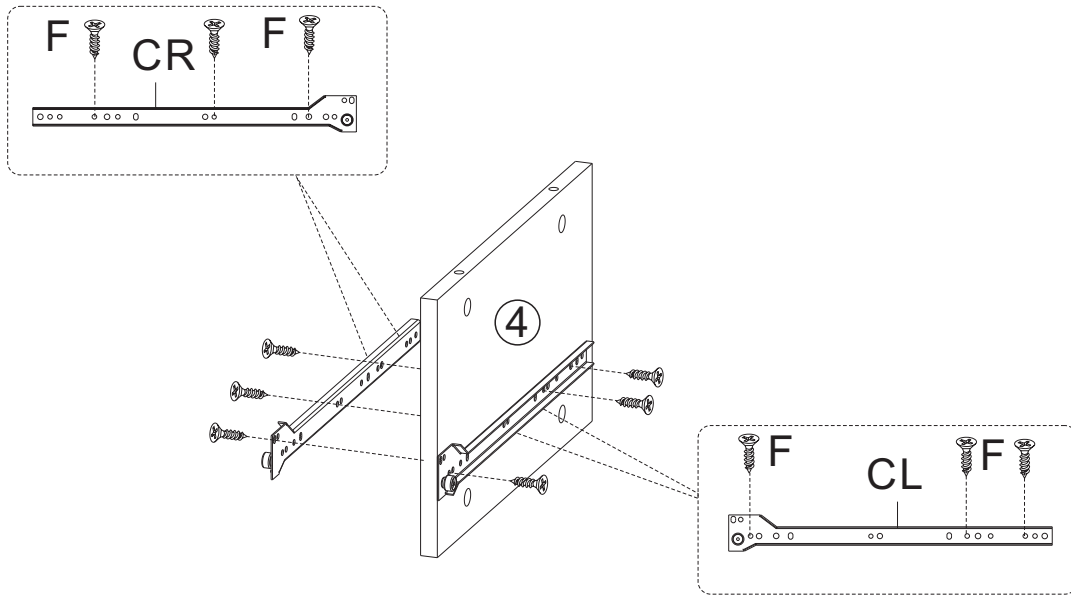
x1

Fx6

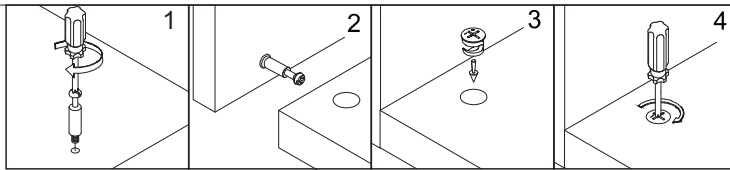




11

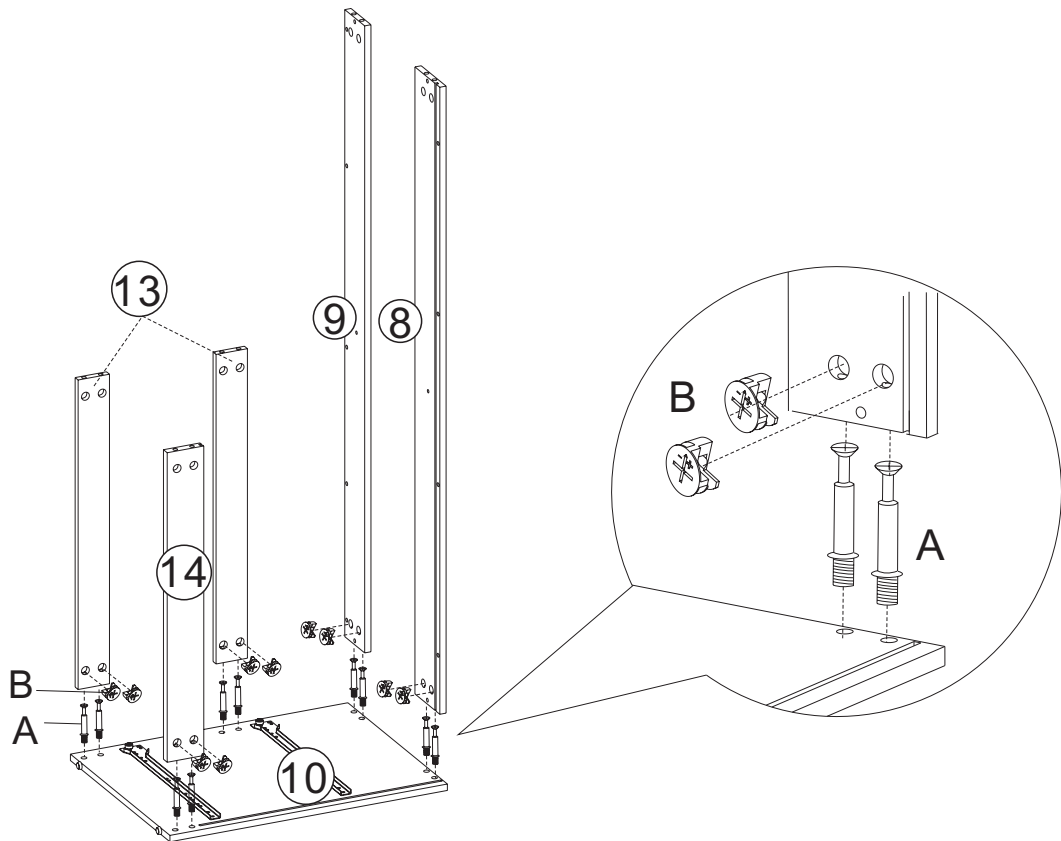
x1	Fx6
CL CR	



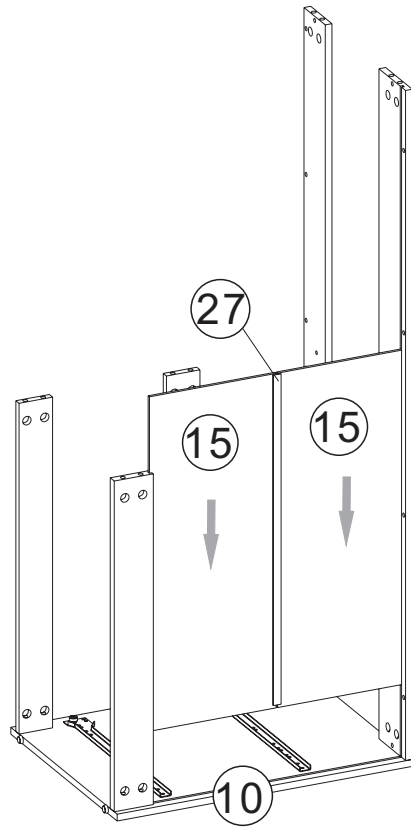
12



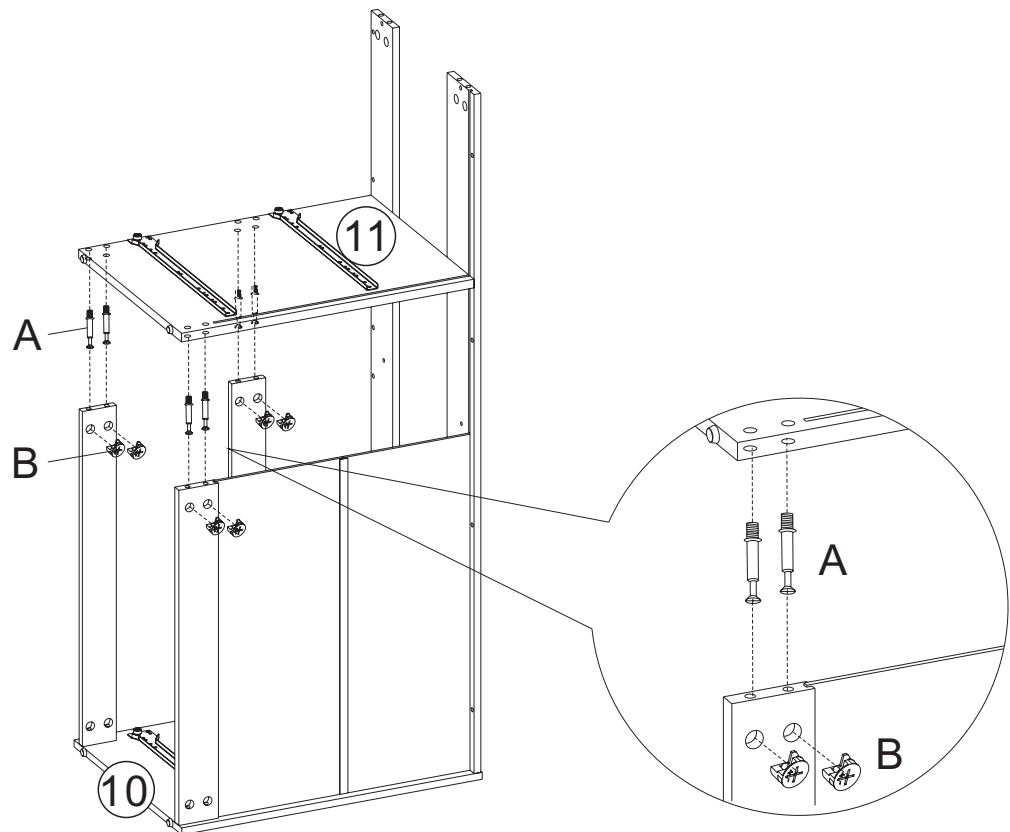
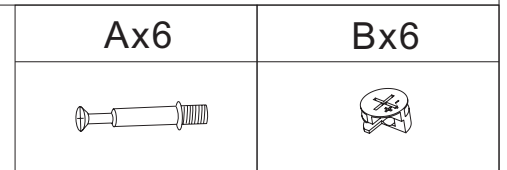
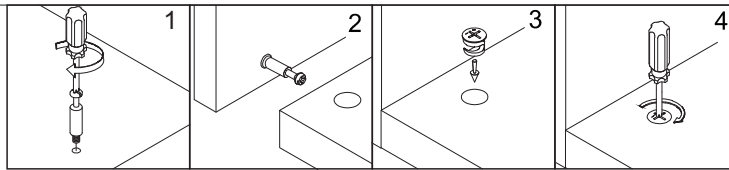
Ax10	Bx10
	



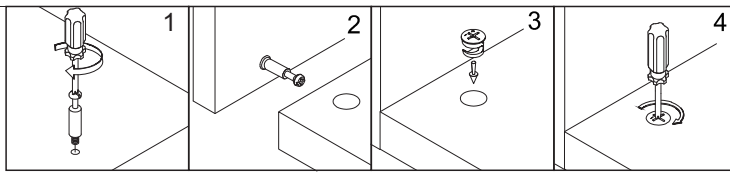
13



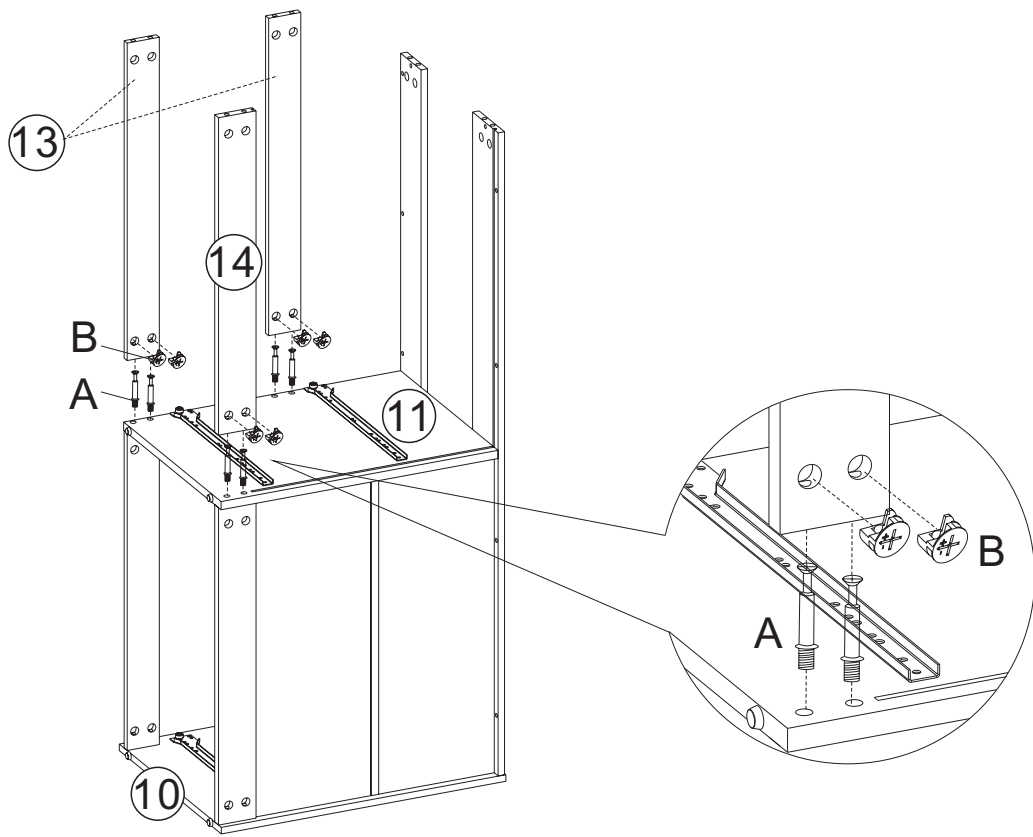
14



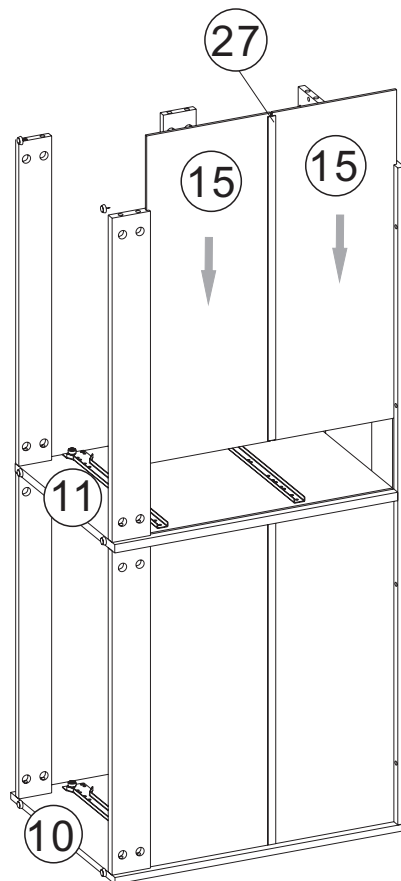
15



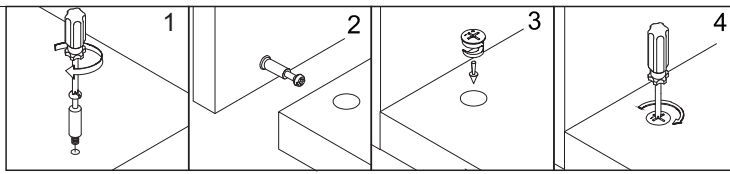
Ax6	Bx6



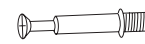
16



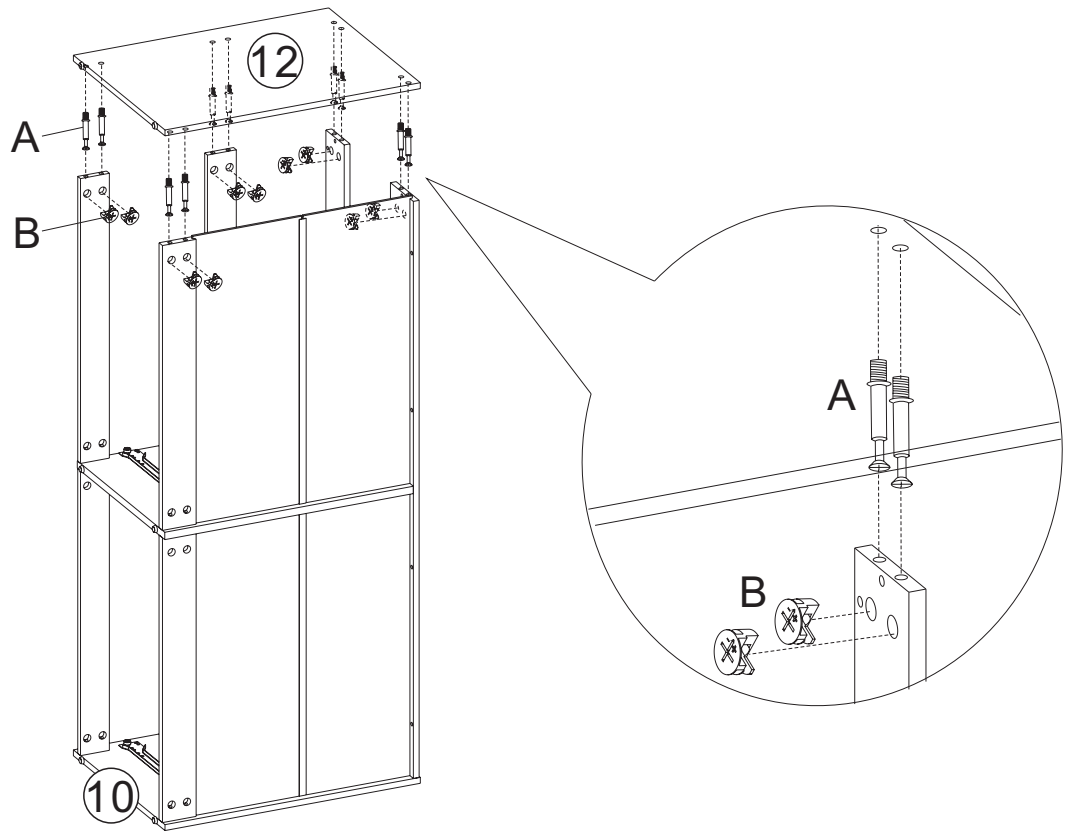
17



Ax10

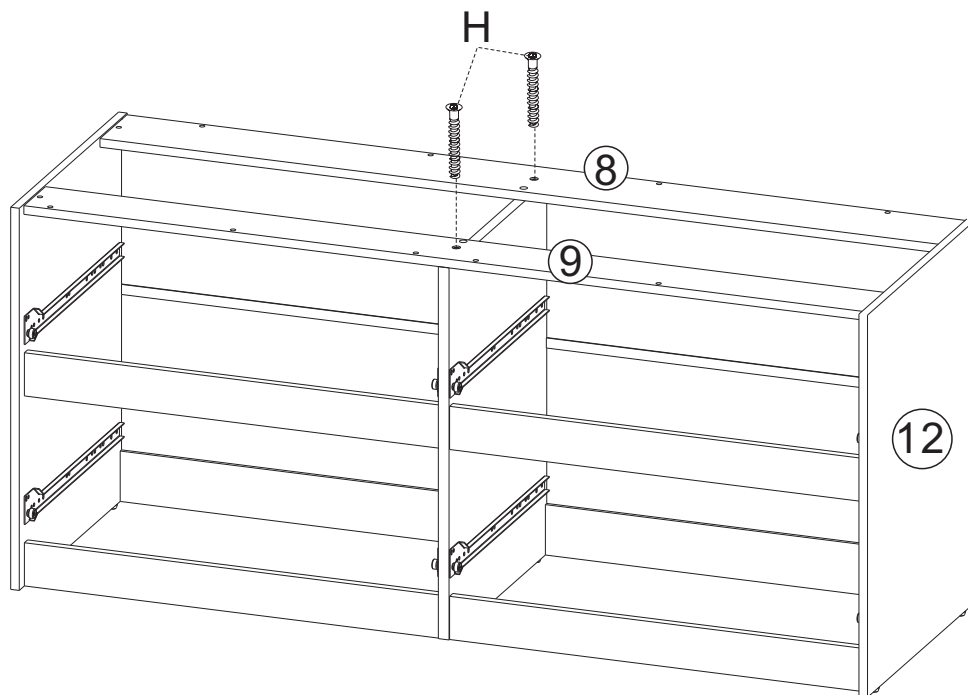


Bx10

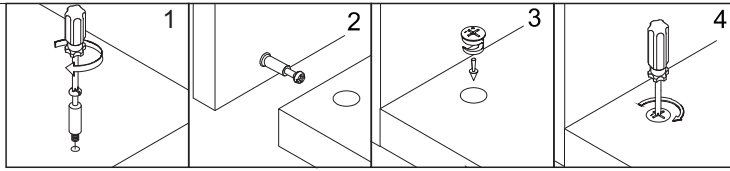


18

Hx2



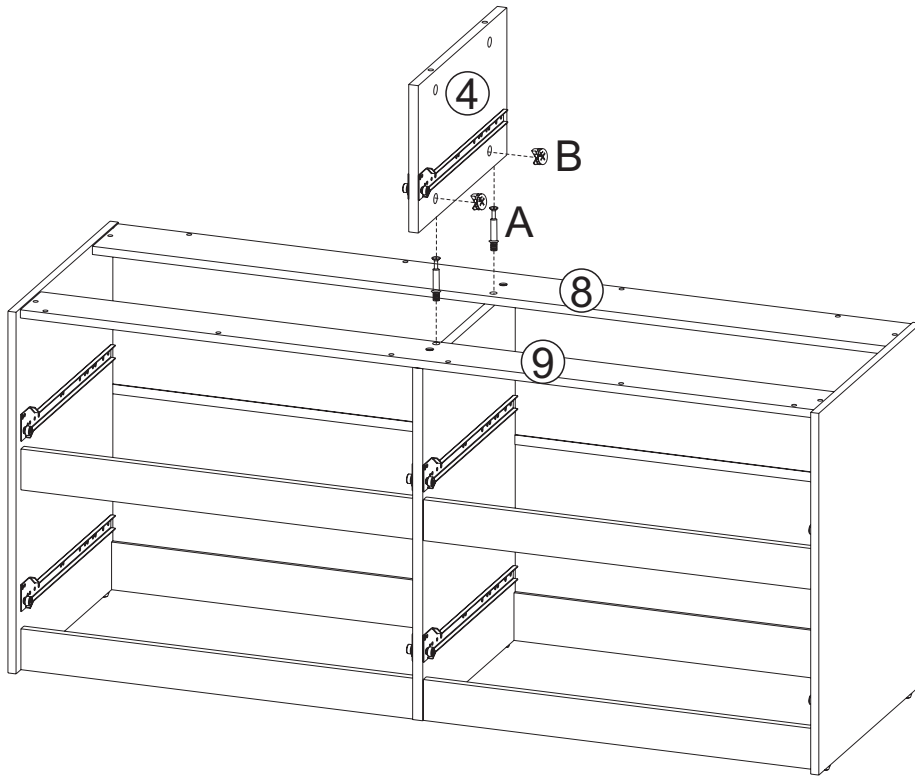
19



Ax2

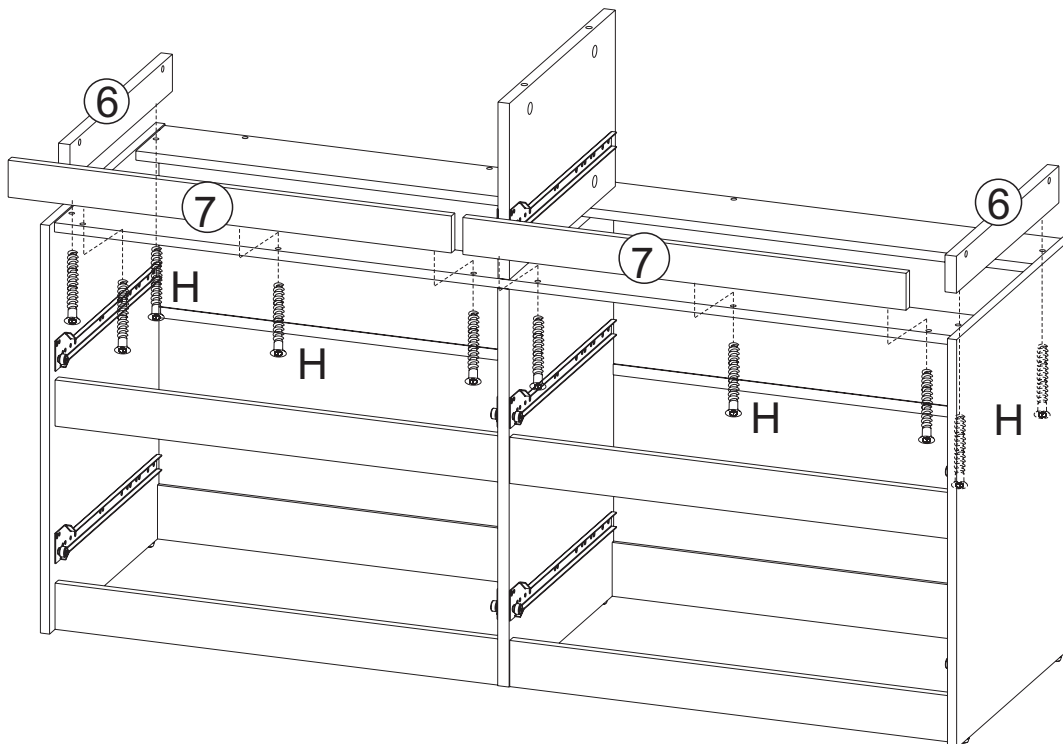


Bx2



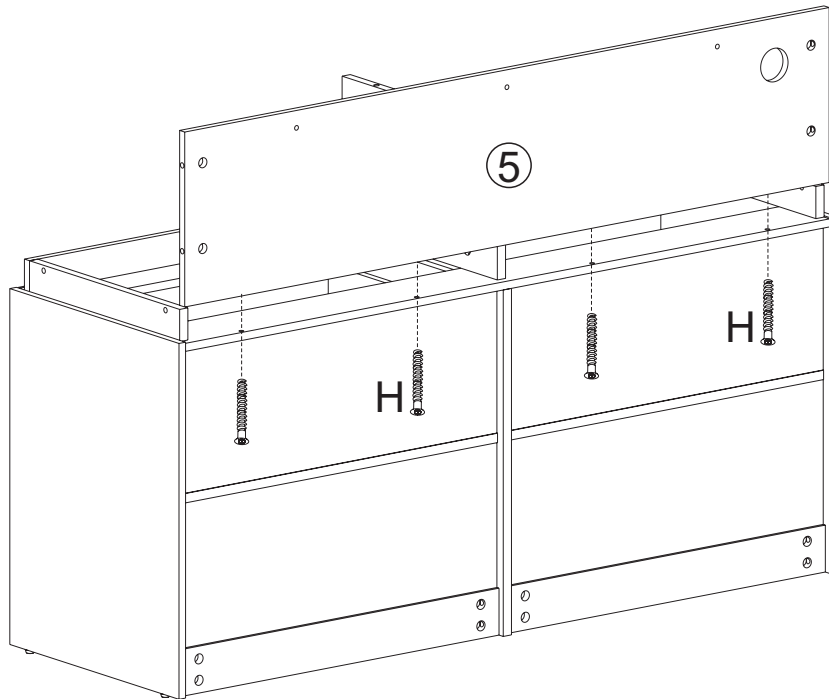
20

Hx10

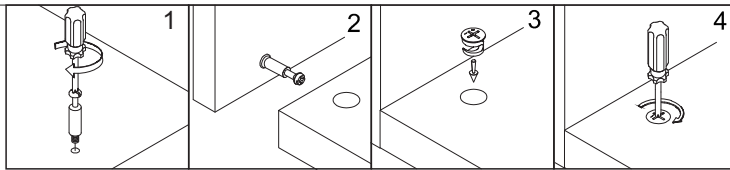


21

Hx4



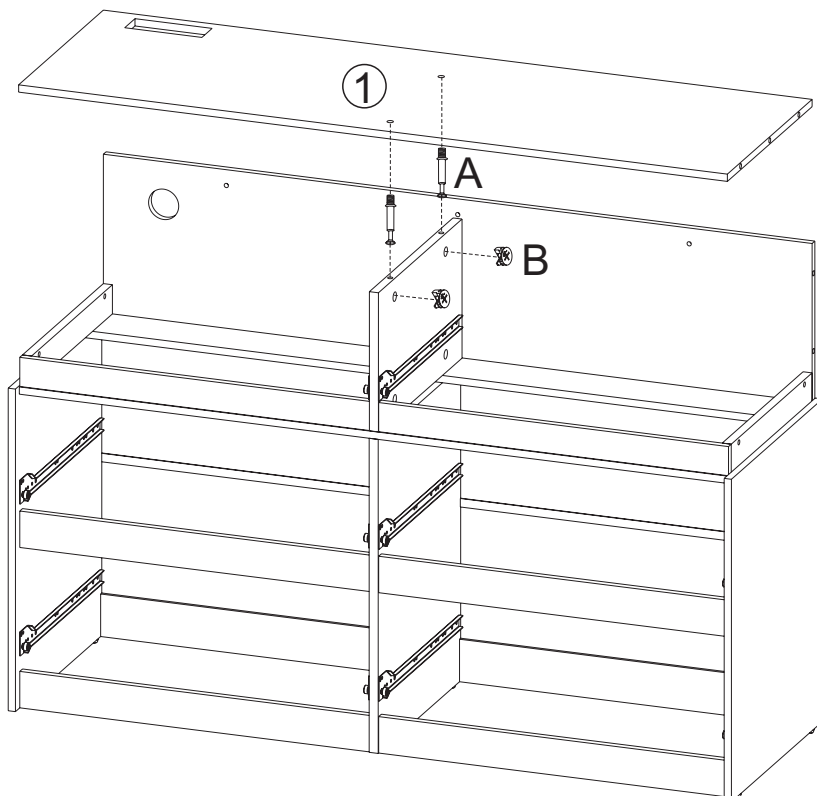
22



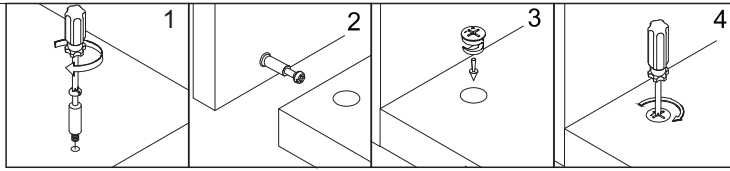
Ax2



Bx2



23



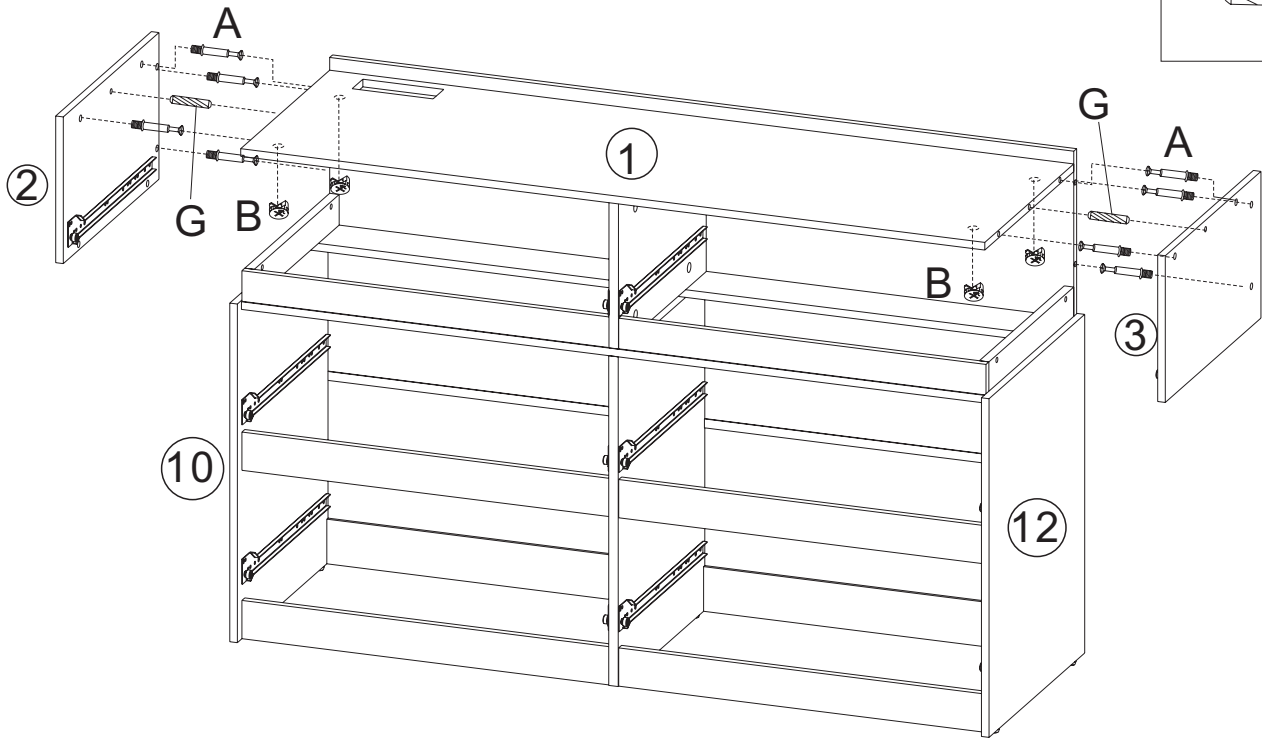
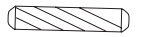
Ax8



Bx4

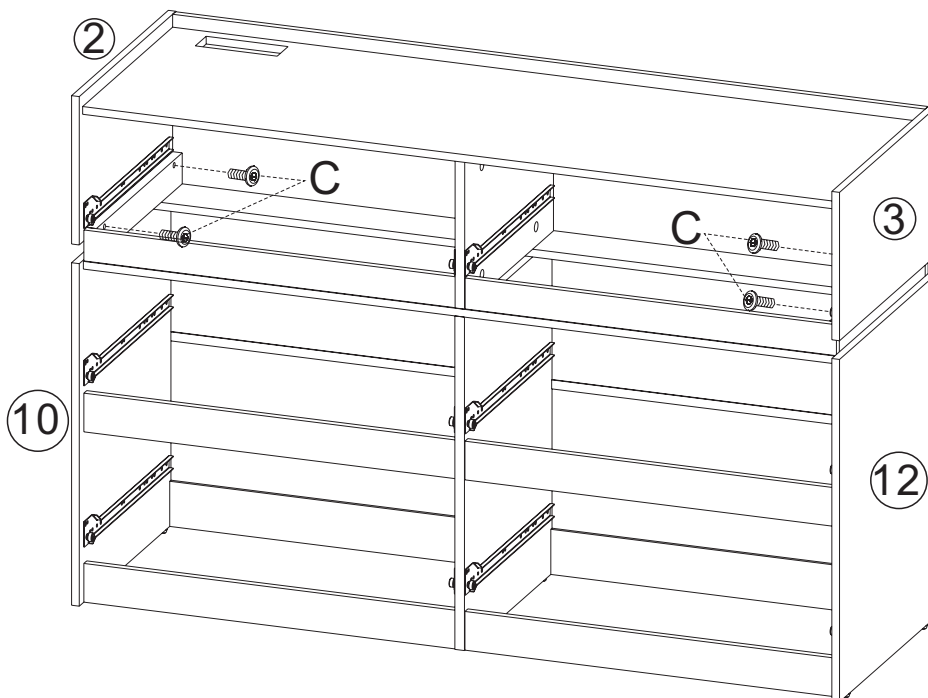
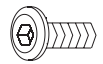


Gx2

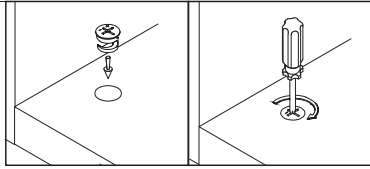


24

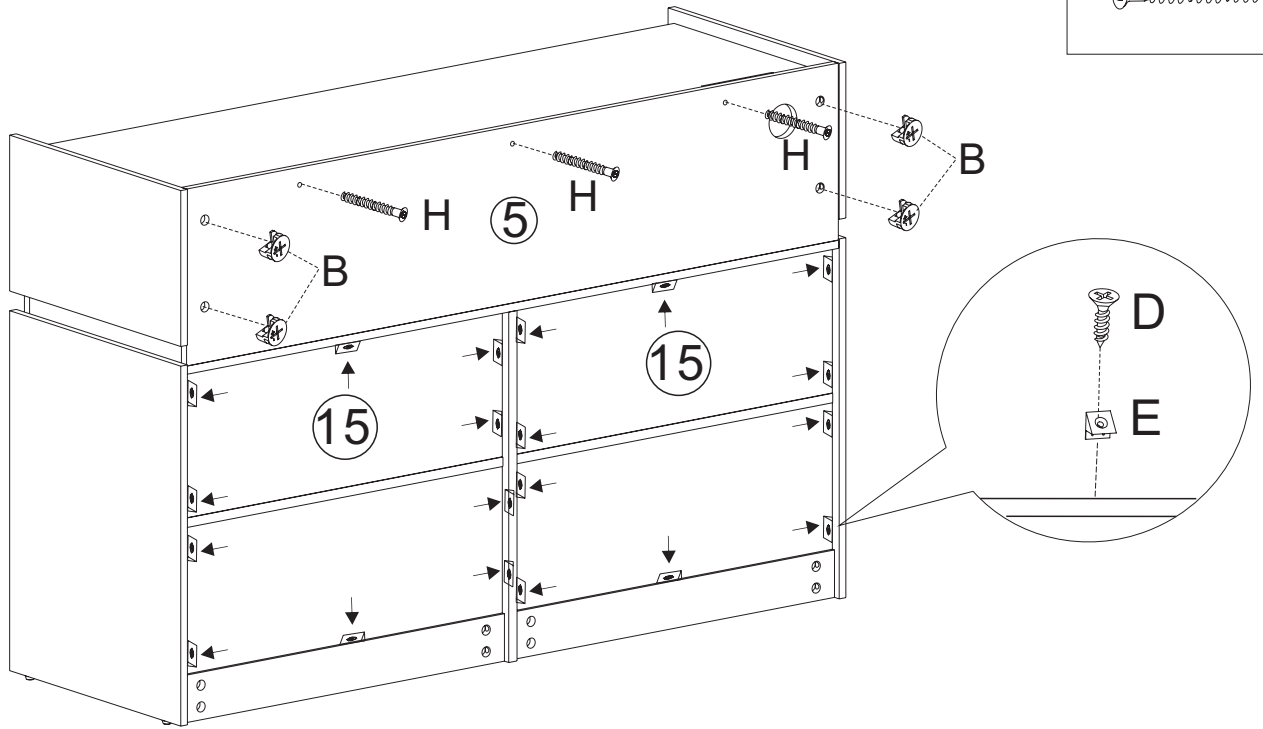
Cx4



25

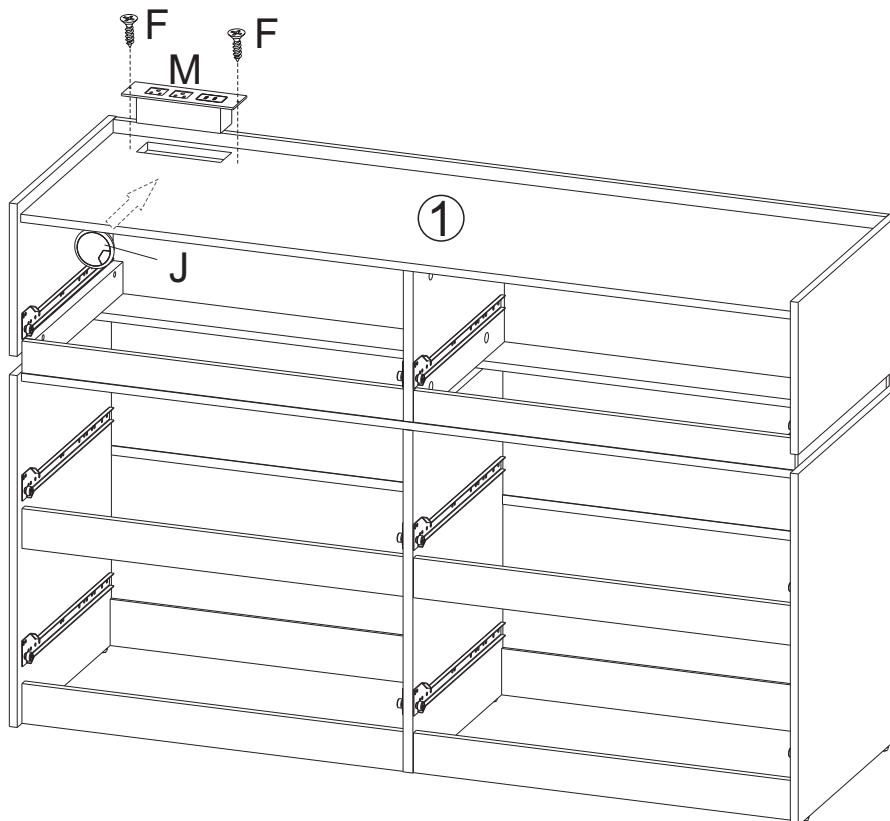


Bx4	Dx20	Ex20
		Hx3



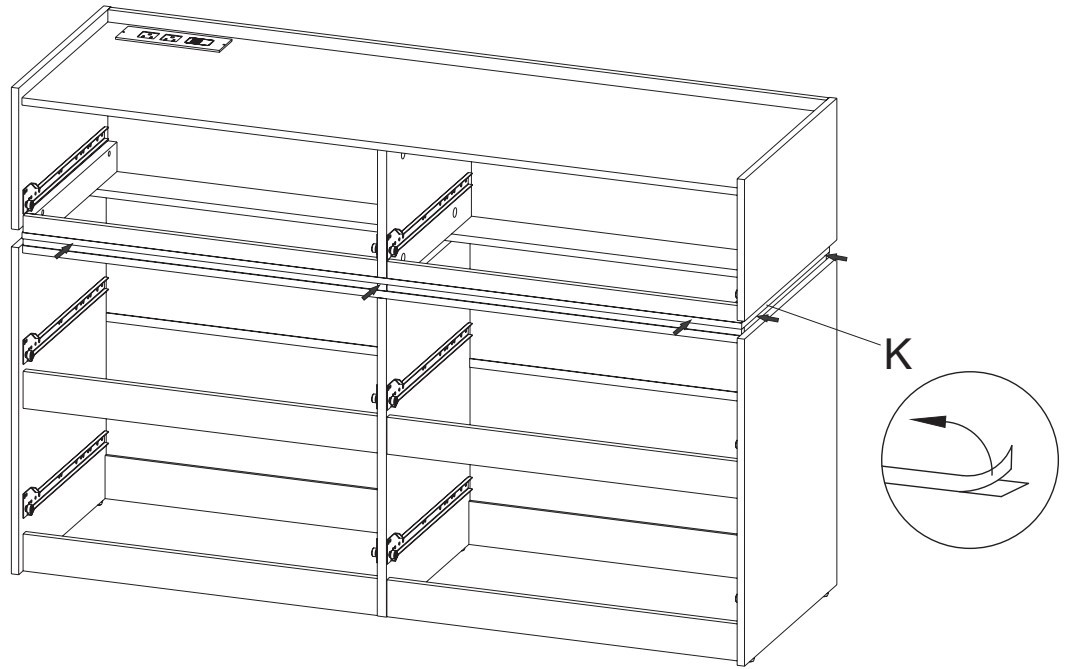
26

Fx2	Mx1	Jx1



27

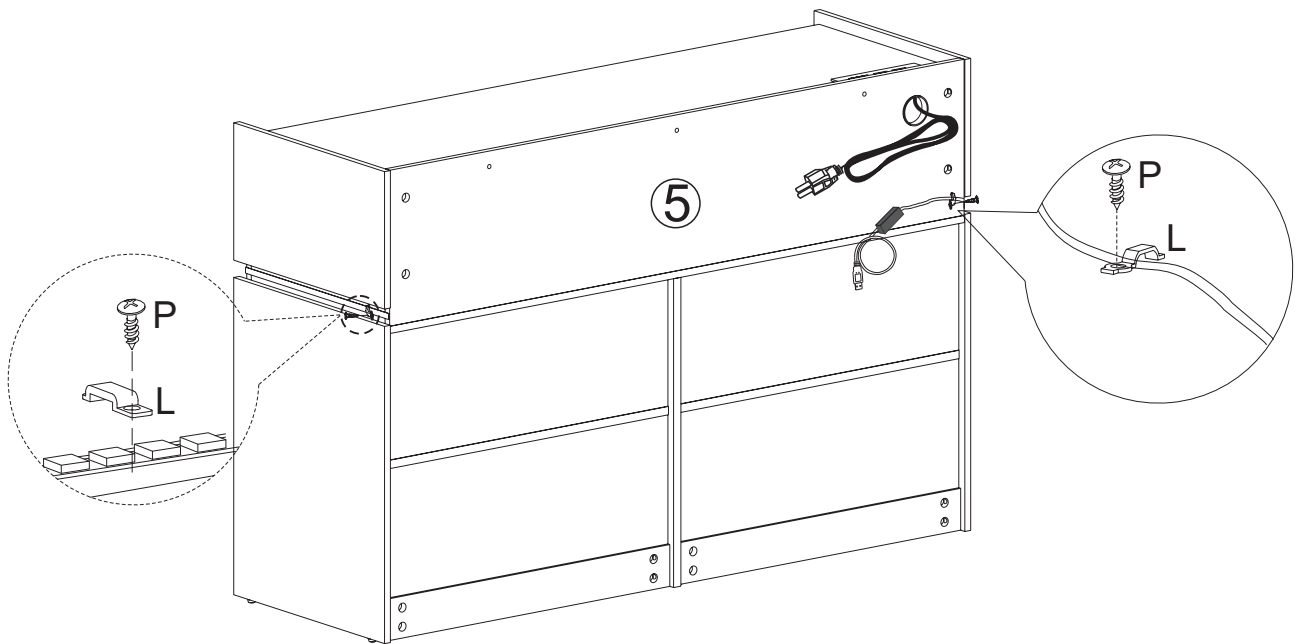
Kx1



28

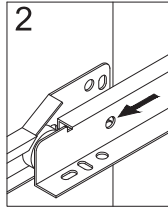
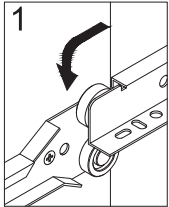
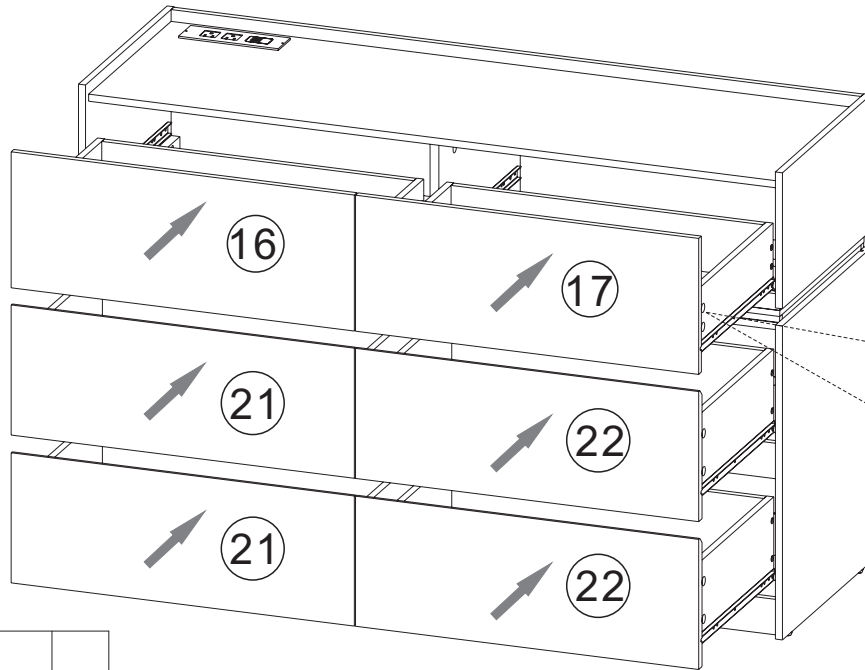
Px2

Lx2



29

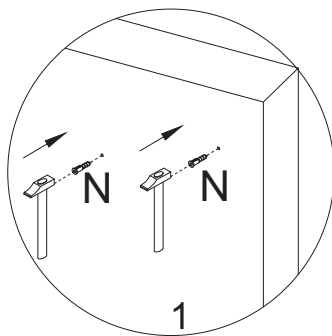
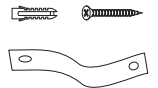
Qx24



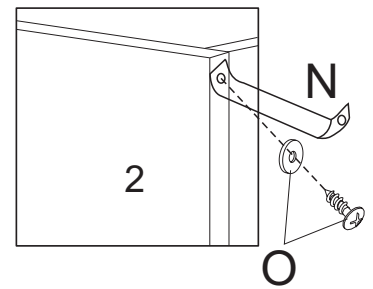
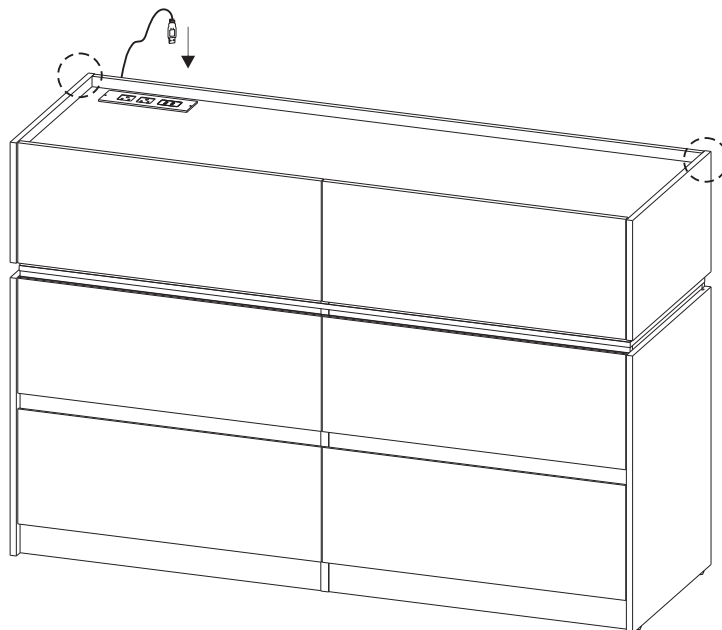
30

Ox2

Nx2

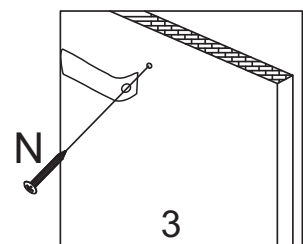


1



2

O



3