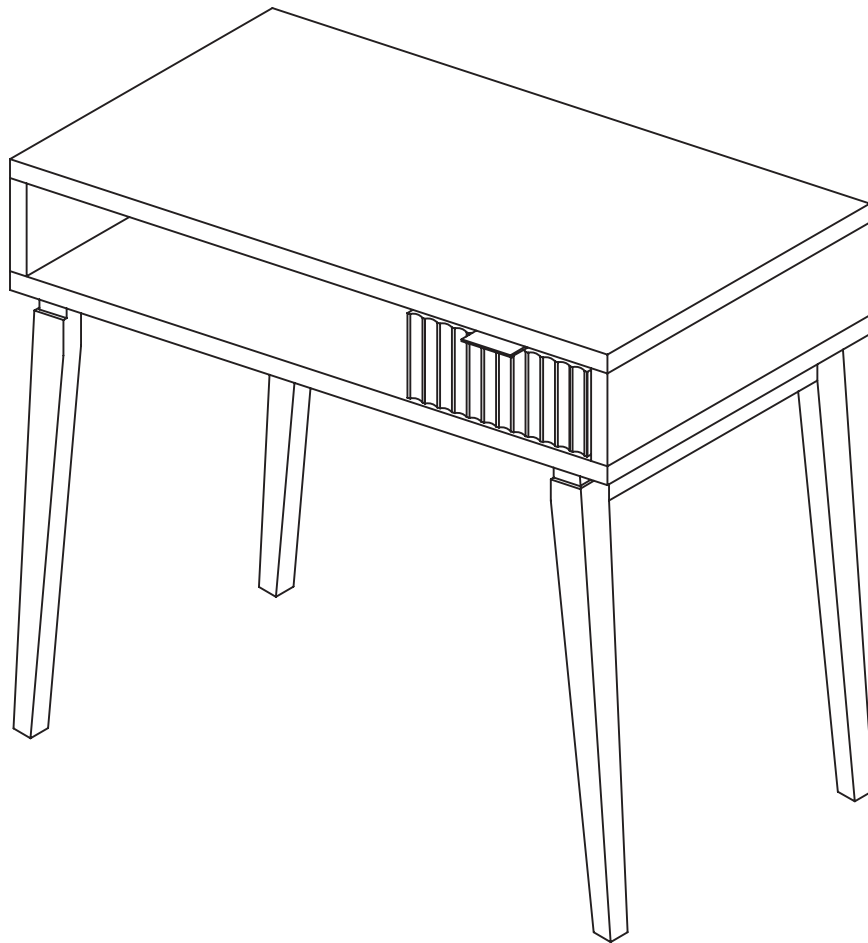


Let's build the

Jasper Console Table

SKU 51801



Scan me!

Free Lifetime
Warranty

nathan james

23-0518

Ok, let's get rolling

This should be easy, just follow our instructions and you will be back to Netflix in no time.

Estimated time for assembly



35:00

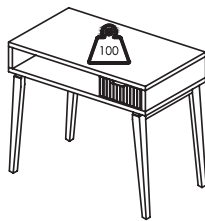
What you need

- Some of your favourite bubbly or your preferred relaxant
- Use the packaging carton as a working surface to prevent product damage during assembly
- Phillips head screwdriver

Do not use a drill



Weight Limitation



100 lbs.

Max weight capacity: 100 LBS
(Desktop + drawer + cubby)
Desktop weight capacity: 50 LBS
Drawer weight capacity: 15 LBS per drawer
Cubby weight capacity: 35 LBS

Toll-free at 1-866-619-1004
Help@nathanjames.com
Nathanjames.com/help

What's included

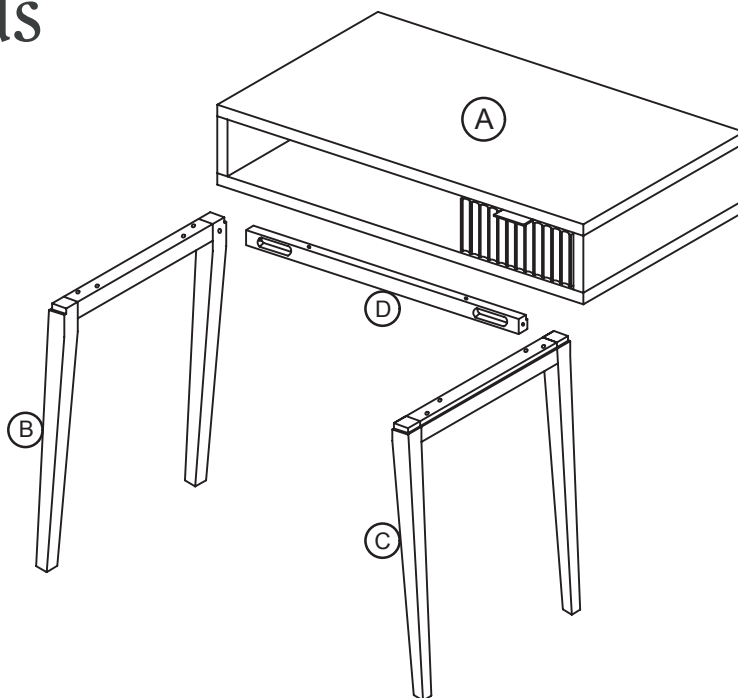
	Description	Qty
A	Desktop Assembly	1
B	Leg Assembly (Left)	1
C	Leg Assembly (Right)	1
D	Horizontal Stretcher	1
1	1/4" x 2" Hex Button Head Bolt	12
2	1/4" x 3/8" Spring Washer	10
3	1/4" x 1/2" Flat Washer	10
4	Crescent Spacer	2
5	Allen Key	1
6	Handle	1
7	M3.5X15mm Screw	2
8	Plastic Bracket (for Anti-Tip)	2
9	Non-Drywall Wall Anchor (for Antil-Tip)	2
10	M3.5X15mm Screw (for Antil-Tip)	2
11	Plastic Tether (for Anti-Tip)	1
12	M4x50mm Screw (for Anti-Tip)	2
13	Drywall Wall Anchor (for Antil-Tip)	2
14	Plastic Nail - in Foot (Extra)	4

Scan me!

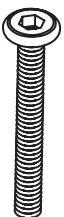
Free Lifetime
Warranty



The goods



1



2



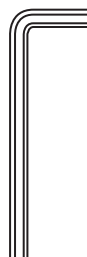
3



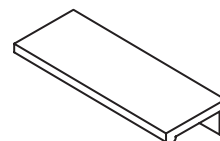
4



5



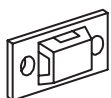
6



7



8



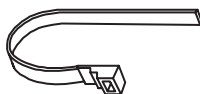
9



10



11



12



13



14



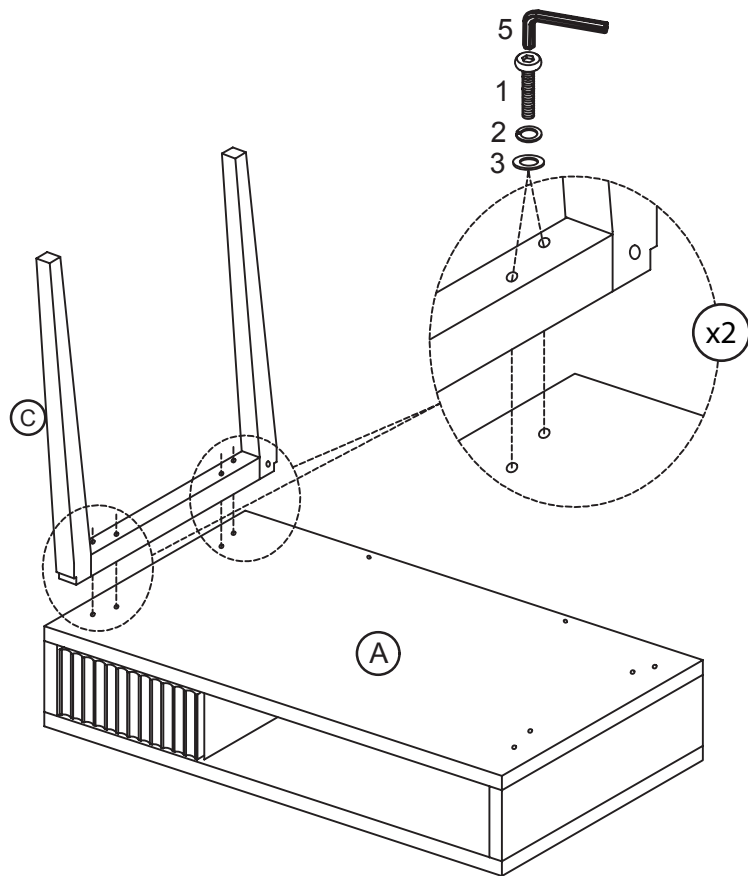
IMPORTANT

1. Do not tighten bolts / screws completely until all bolts / screws are lined up and inserted into holes.
2. Do not over tighten screws and bolts to avoid stripping.
3. Please use hand tools to assemble this product. Do not use power tools.

Step 1

Let's begin! Lay the Desktop Assembly (A) upside down. Attach Right Leg (C) to the Desktop Assembly (A) using 1/4" x 2" Hex Button Head Bolt (1), Spring Washer (2), Flat Washer (3), and the Allen Key (5). You will do this step twice, once on each side of the Right Leg (C).

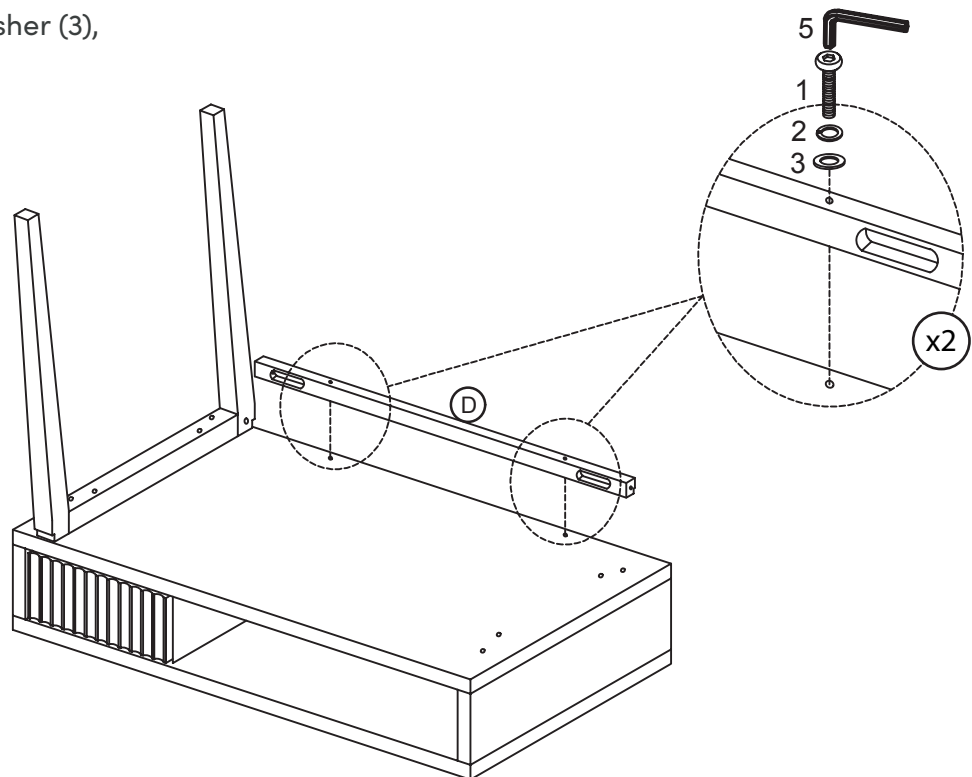
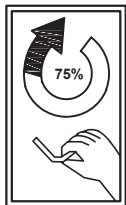
Tighten screws to 75%.



Step 2

Attach the Horizontal Stretcher (D) to the Desktop Assembly (A) using 1/4" x 2" Hex Button Head Bolt (1), Spring Washer (2), Flat Washer (3), and the Allen Key (5).

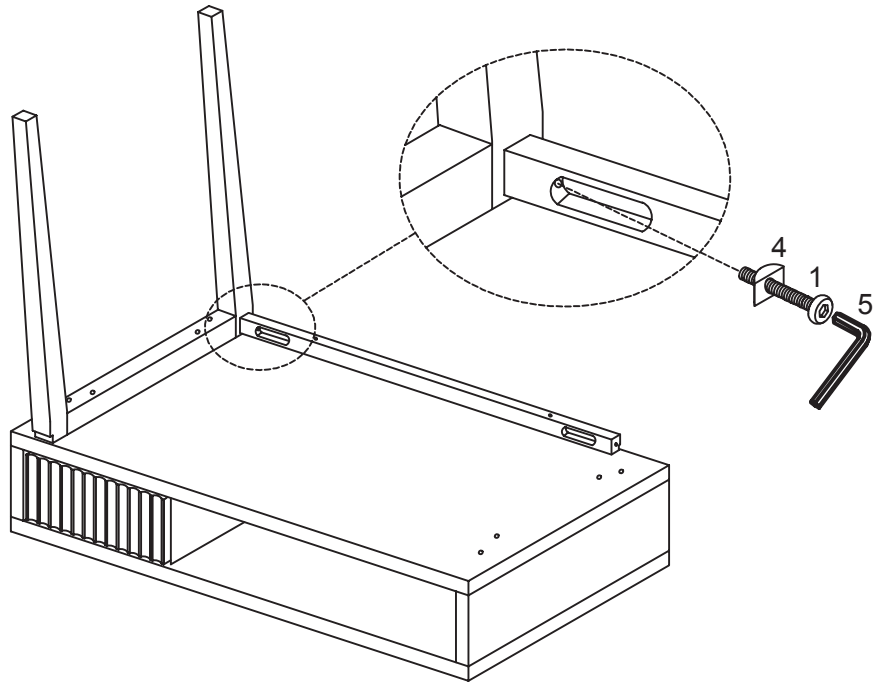
Tighten screws to 75%.



Step 3

Secure the Horizontal Stretcher (D) to the Right Leg (C) using the Crescent Spacer (4) and 1/4" x 2" Hex Button Head Bolt (1). Be sure to place the components using (4) first, then followed by (1).

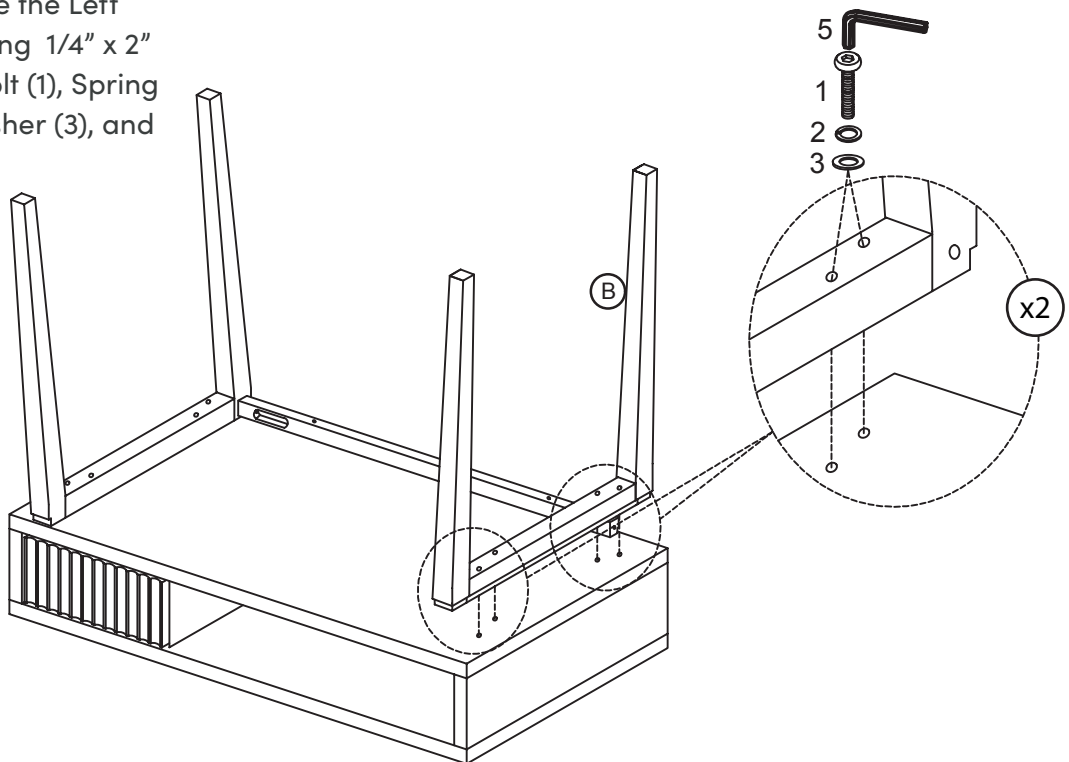
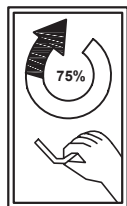
Use the Allen Key (5) to tighten to 75%.



Step 4

Attach the Left Leg (B) to the opposite side of the Desktop Assembly (A). Secure the Left Leg (B) in place, using 1/4" x 2" Hex Button Head Bolt (1), Spring Washer (2), Flat Washer (3), and the Allen Key (5).

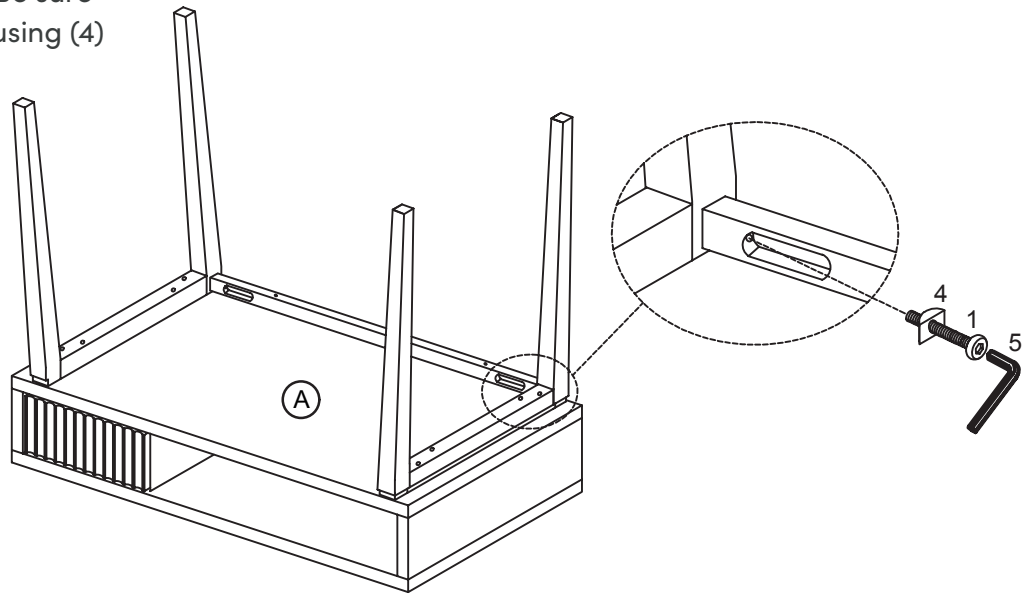
Tighten to 75%.



Step 5

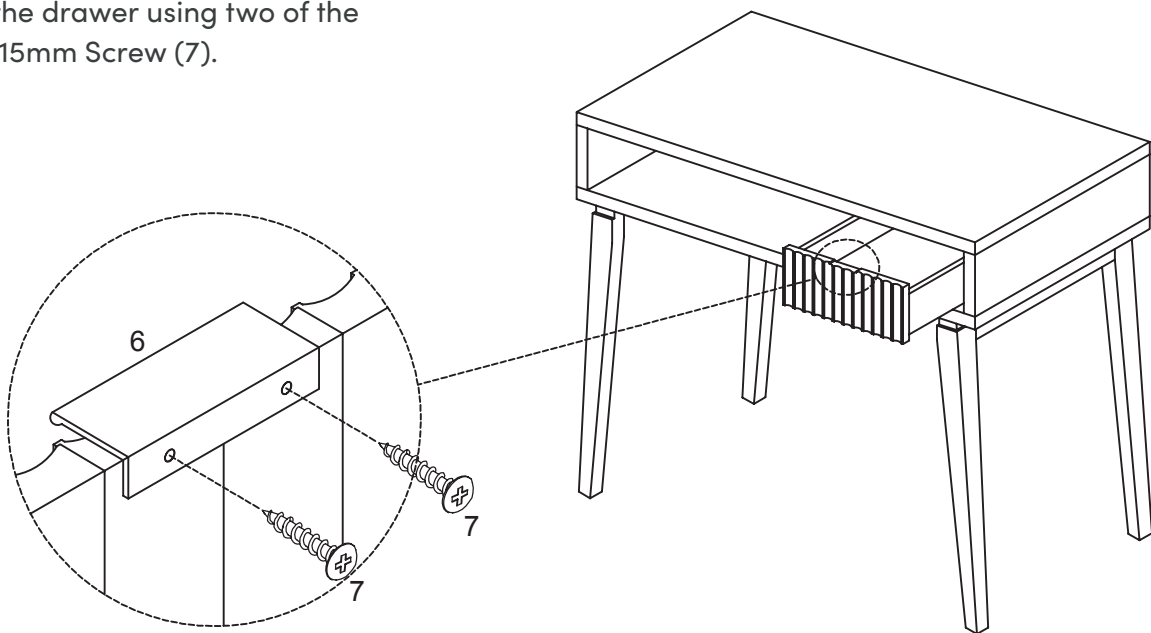
Secure the Horizontal Stretcher (D) to the Left Leg (B) using the Crescent Spacer (4) and 1/4" x 2" Hex Button Head Bolt (1). Be sure to place the components using (4) first, then followed by (1).

Use the Allen Key (5) to tighten to 75%.



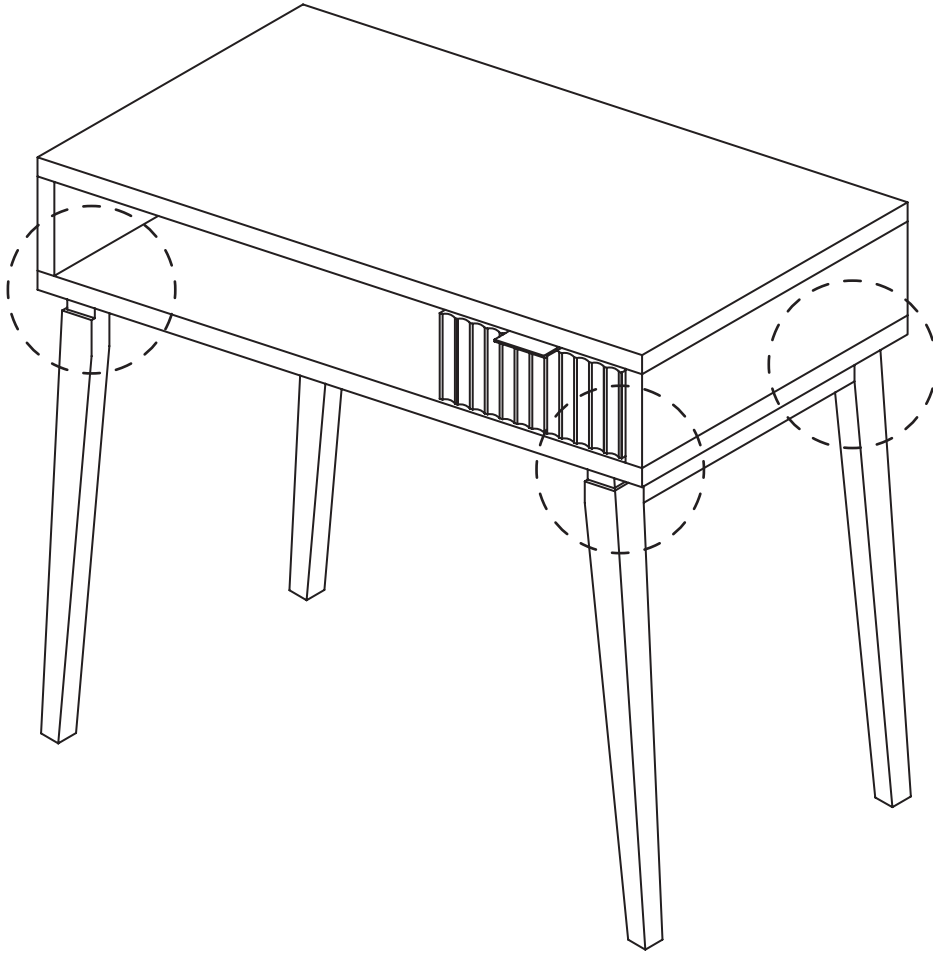
Step 6

Yay, it's time to flip over the desk!
Set it upright and attach the Handle (6) to the drawer using two of the M3.5X15mm Screw (7).



Step 7

You're within minutes of pressing play on Netflix!
Now that it is upright,
Tighten the screws on
each corner to 100%.

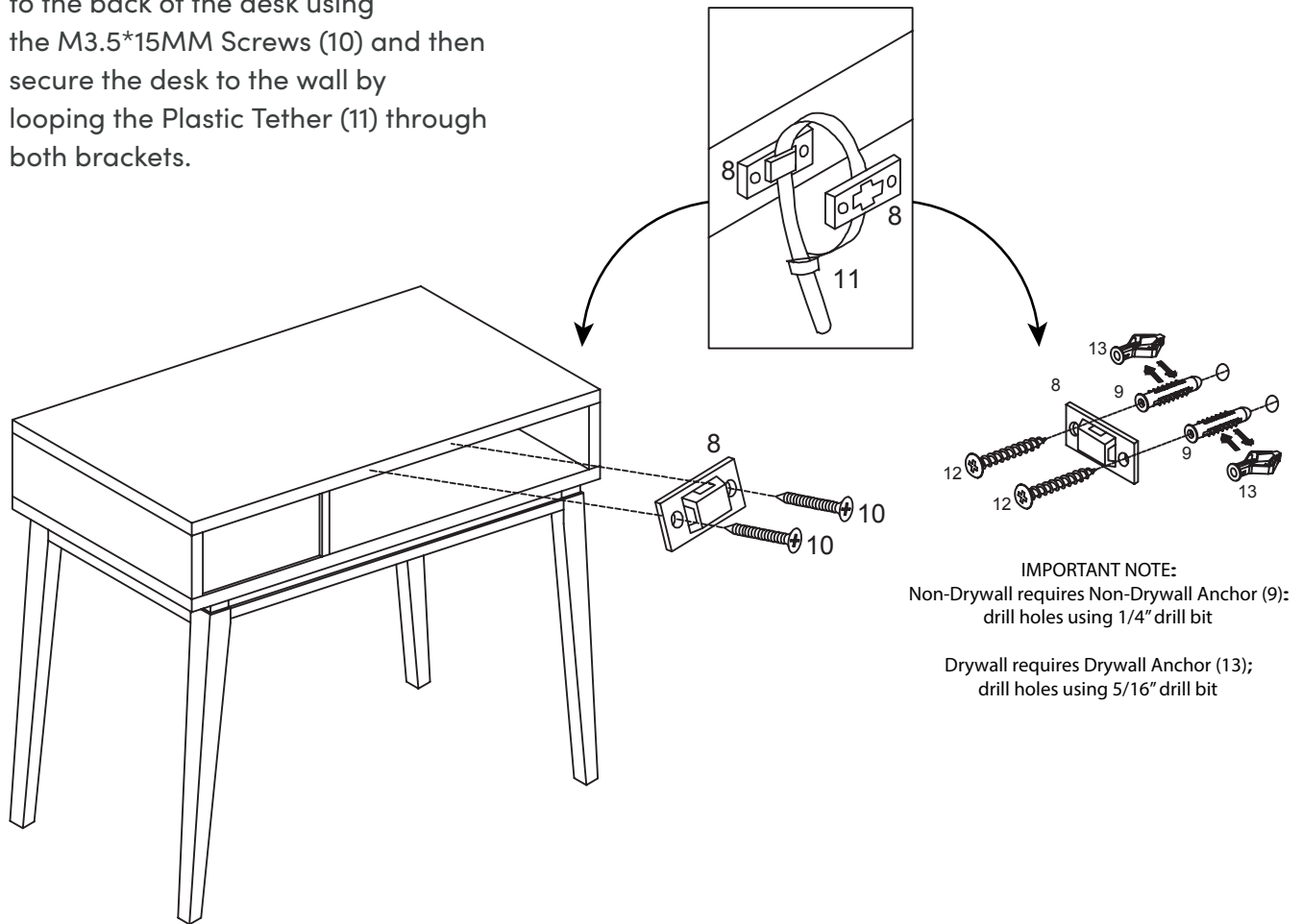


Step 8

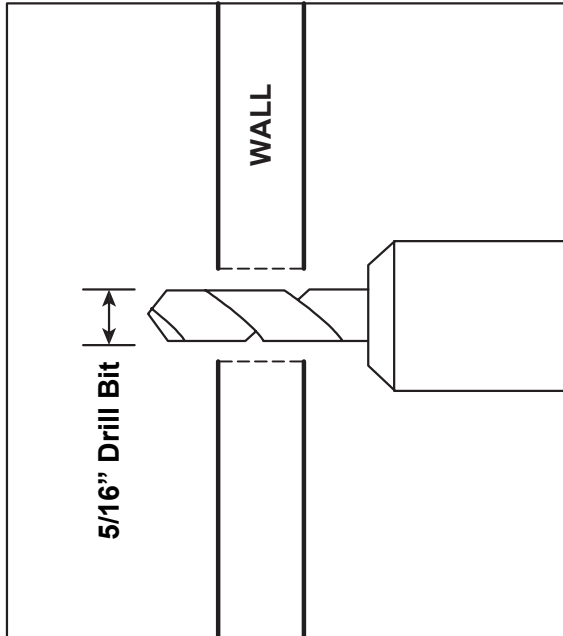
Safety first! Let's get this desk secured to the wall. Mount the Plastic Bracket (8) to the wall using the provided Wall Anchors (9) or (13) and M4*50MM Screws (12). We recommend using a 5/16" drill bit.

Secure the other Plastic Bracket (8) to the back of the desk using the M3.5*15MM Screws (10) and then secure the desk to the wall by looping the Plastic Tether (11) through both brackets.

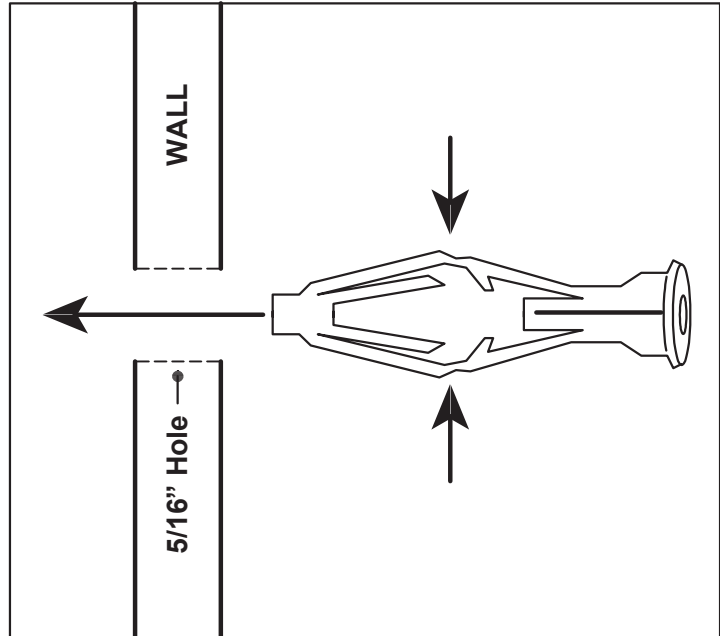
To secure your unit, tether it to the wall.



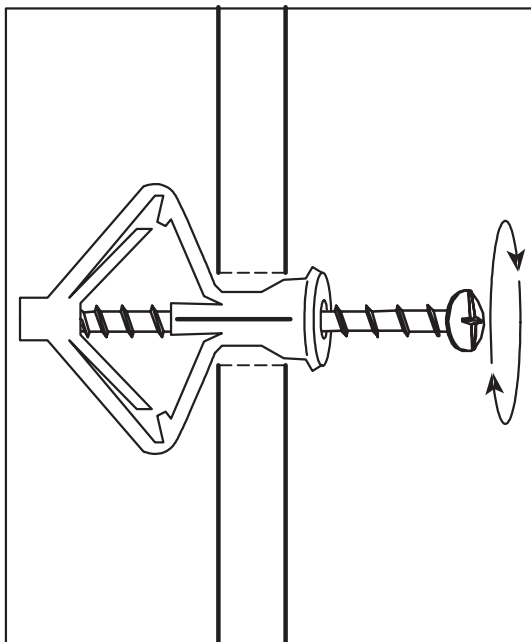
How to use Drywall Anchors



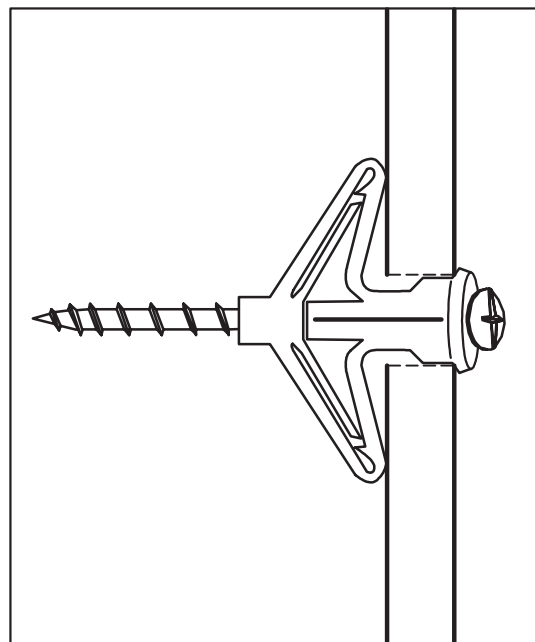
1. Drill hole with 5/16" bit.



2. Pinch and insert.



3. Begin tightening.



4. Anchor is secure when screw is tightened to 100%

No heartburn, when we handle the return

Give us a call **1-866-619-1004** or shoot us a message at **help@nathanjames.com** we will issue you a free replacement with **zero hassle**.

Our way



Give us a call



Replacement



You

Their way



Re-package item



Schedule pick up



Track package



Replacement



You

We really don't want you to go through the hassle of re-packaging your item and sending it back, because let's be honest...nobody has time for that.

Safety first, fun later

We want your product to last as long as possible, so we recommend that you tighten the screws 2 weeks after assembly and for added safety check the tightness of all screws every 2 months.

For proper care and treatment, please check our website at NathanJames.com/products

Safe use of this product starts with you.

Use this product responsibly with the primary concern for your safety. Follow assembly instructions carefully and inspect product upon receipt and each use.

Nathan James and its parent companies cannot be held legally responsible for any injuries or death resulted from failure to follow instructions or improper use of this product.

Do not modify the structure of this product in any way.

Our products have been tested to meet specific safety measures as they were originally intended to be sold. Any modifications will present the risk of creating significant safety issues which NJ will not be responsible for.

Proper use

- DO NOT** use for commercial purposes
- DO NOT** frolic on desk
- DO NOT** use desk as foot stool
- DO NOT** leave spilled liquid on desk
- DO NOT** use desk if damaged
- DO NOT** make temporary repairs
- DO NOT** use outdoors

We are only in business if you're happy

For starters, thanks for being you.

☎ Toll-free at 1-866-619-1004

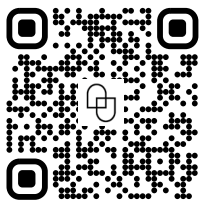
✉ Help@nathanjames.com

🌐 NathanJames.com/help

We do our best to ensure your furniture arrives without any problems, but occasionally mistakes happen—as humans we are imperfect beings. In the event that a part is damaged or missing, we will be more than happy to provide you with replacement part(s) for free.

Warranty

This product comes with a lifetime warranty from the date of purchase. Please use your phone to scan the QR code to register your product or visit <https://goo.gl/i9dk3q>



Did we do alright? Please spread the love!

If you are happy with your product, tell your friends and family about us or even better leave us a review online. Spreading the word gives us the opportunity to make more people happy and keep our prices low for your next purchase.

Brooklyn Burden

Founder, Nathan James