


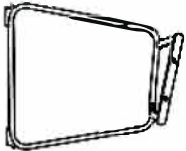


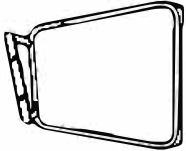




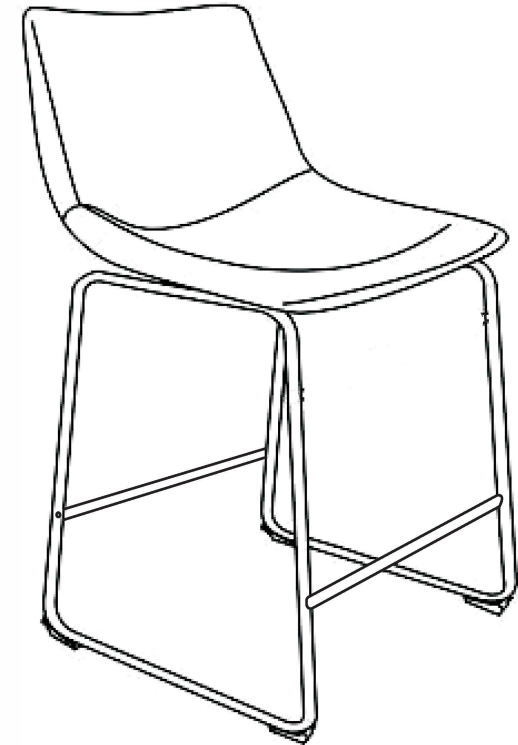


Assembly Instruction

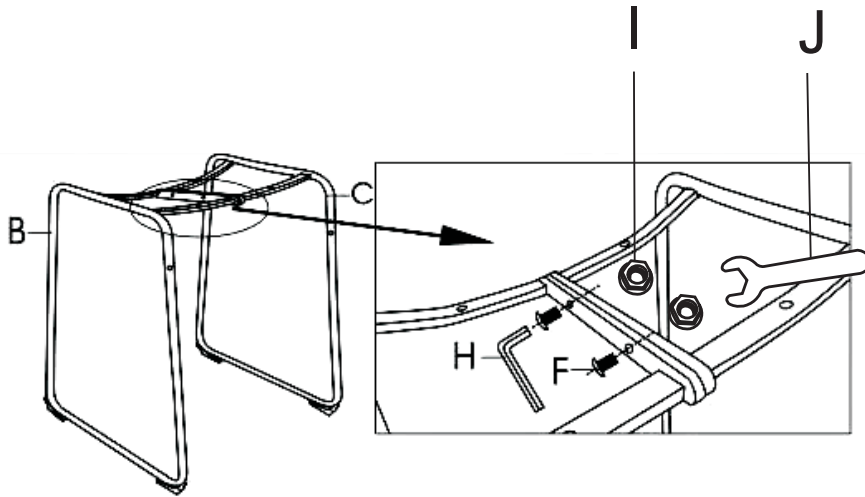
Counter & Bar Stools

Part List

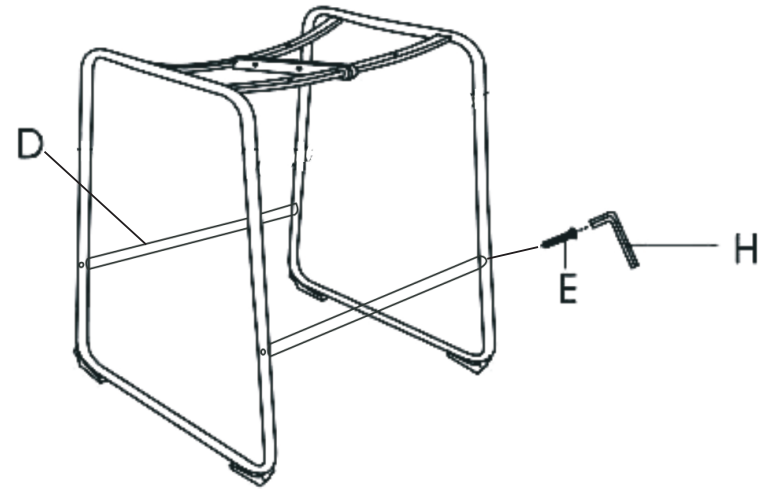
No.	Diagram	Qty pcs	No.	Diagram	Qty pcs
A		1	E	 M6*25	4
			F	 M8*20	2
B		1	G	 M6*25	4
			H	 M6	1
C		1	I		2
D		2	J		1
			K		4



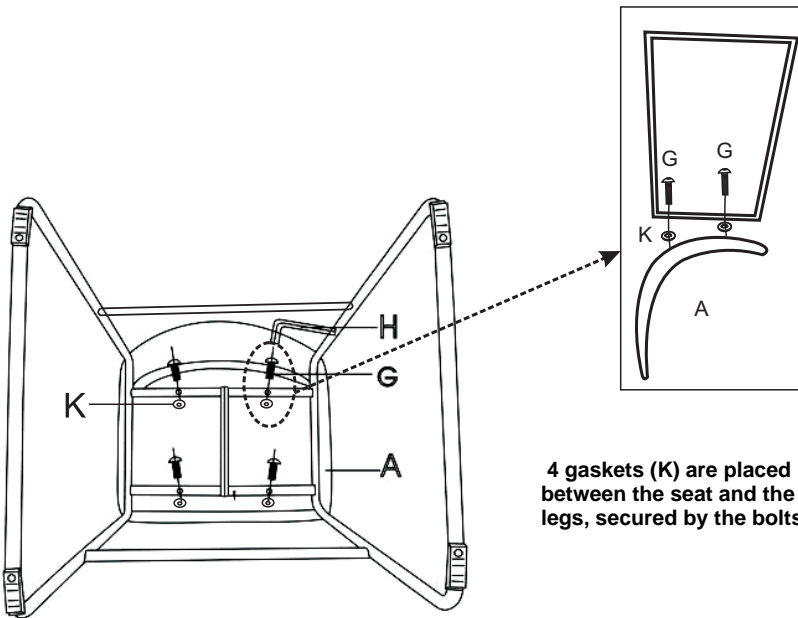
1



2



3



4 gaskets (K) are placed between the seat and the legs, secured by the bolts (G).

4

