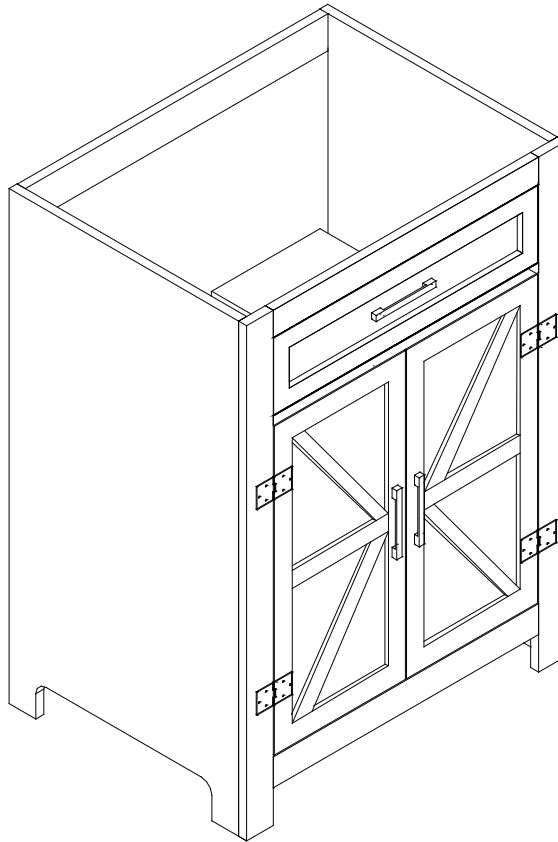




VINGLI FARMHOUSE BATHROOM VANITY SINK CABINET

ASSEMBLY INSTRUCTION



Thank you for purchasing from VINGLI!

Please contact us via email if parts are missing or damaged, we will gladly ship your replacement parts free of charge.



IMPORTANT

THIS INSTRUCTION BOOKLET CONTAINS IMPORTANT SAFETY INFORMATION.
PLEASE READ AND KEEP FOR FUTURE REFERENCE.

RETURN & WARRANTY

Thank you for choosing our product!

We would like to take this opportunity to thank you for choosing VINGLI.

We hope that you are completely satisfied with your purchase, and enjoy it for years to come.

Your satisfaction is our highest pursuit.

Return policy

VINGLI believes you will absolutely love your furniture, but if for some reason you want to return the product, please contact us directly before you decide to return your product to the retailer. Our Customer Service organization can answer most concerns and can assist you with any questions you may have about your new product.

The item must be returned in good condition, in original box, with all original proof of purchase, parts and accessories, within the time frame specified by the retailer it was purchased from.

Warranty

VINGLI warrants this product to be free from defects in material and workmanship agrees to remedy any such defect. This warranty covers one year from the date of original purchase. This is solely limited to be repair or replacement of defective parts and no assembly labor is included.

This warranty does not apply to any product which has been improperly assembled, subjected to misuse or abuse or which has been altered or repaired in any way.

Components repaired or replaced warranted through the remainder of the original warranty period only. The defective components will be repaired or replaced without charge, subject to the terms and conditions described above.

For help with assembly, identifying parts, product information or to order parts, please contact us freely.

BEFORE STARTING

Before Using Product



- Read each step carefully before starting. It is very important that each step is performed in the correct order. If these steps are not followed in sequence, assembly difficulties will occur.



- Make sure all parts are included. Most board parts are labeled or stamped on the raw edge.

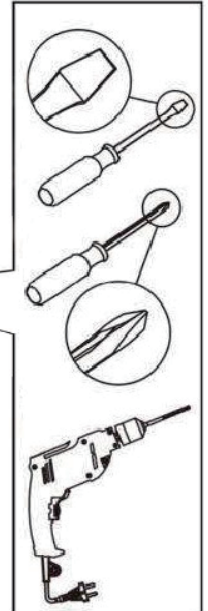
- Prepare a flat and Philips screwdriver (not included)
A Power Screwdriver is recommended.



- Work in a spacious area and near where the unit will be used, preferably on a carpet, or use a piece of the cardboard packaging to protect your floor and product.



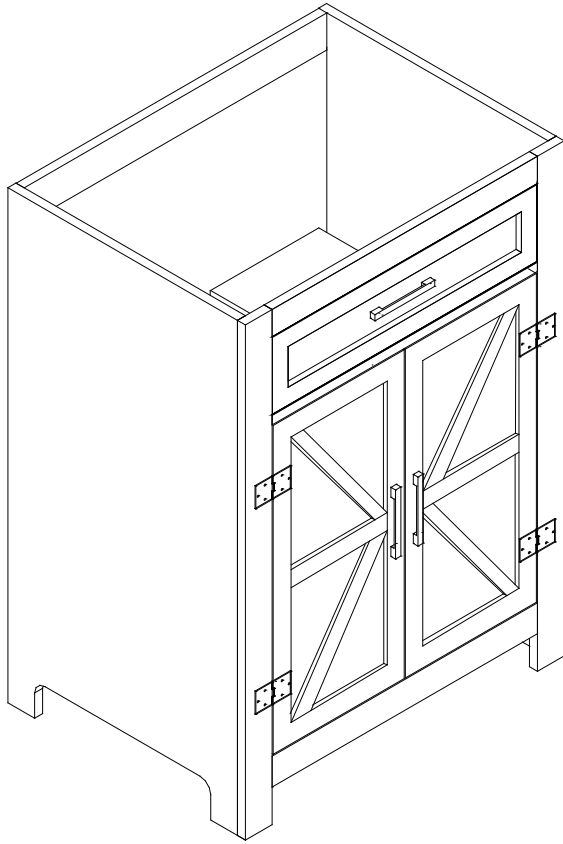
- For a smooth assembly process, we suggest you keep a lite tightness for all the screws during assembly. After the whole product is assembled, firmly tighten all the screws.



WARNING:

- Do not allow children to climb on unit
- Serious or fatal crushing injuries can occur from furniture tip-over. To prevent this furniture from tipping over, it must be permanently fixed to the wall. Fixing devices for the wall are not included since different wall materials require different types of fixing devices. Use fixing devices suitable for the walls in your home. For advice on suitable fixing systems, contact your local specialized dealer
- Avoid sharp objects or corrosive chemicals to prevent damage to the product
- During assembly, keep parts and packaging materials away from children and pets as there could be potential injury and choking hazards

ASSEMBLY TIPS



OVERALL SIZE:

74.5x44.5x90 cm (L x W x H)
29.3x17.5x35.4 in (L x W x H)

FEATURES:

1. Farmhouse Barn Door
2. U-Shape Shelf
3. Silent Hinge
4. Easy to Maintain



Estimated Time for Assembly

1.5-3 hours



Estimated People for Assembly

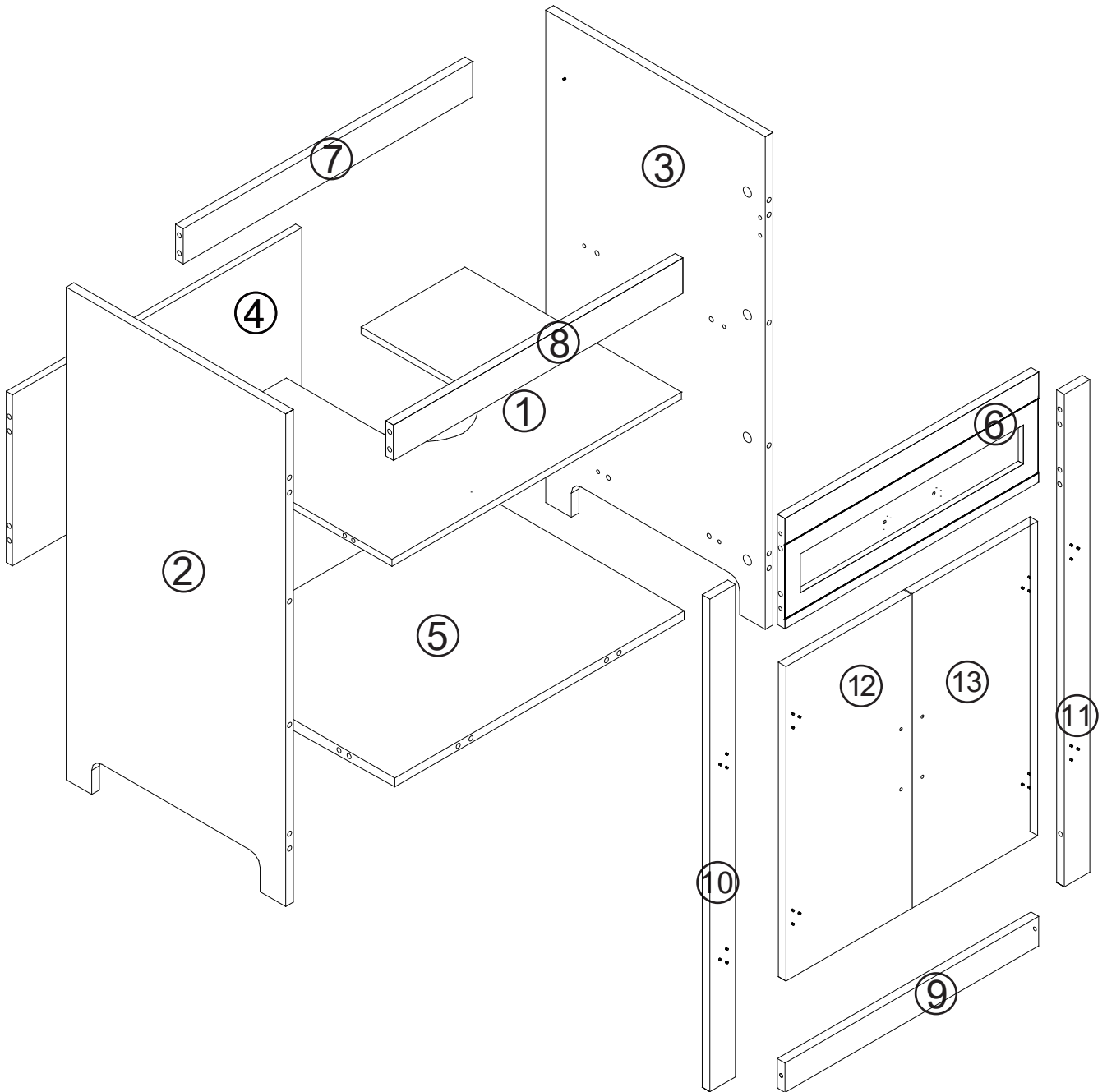
2

Caution:

1. This product is designed for home use and not intended for commercial use.
2. This product contains small components. Please ensure that they are kept away from small children.
3. Be careful when using power tools to assemble your furniture. Power tools may strip or damage the parts.

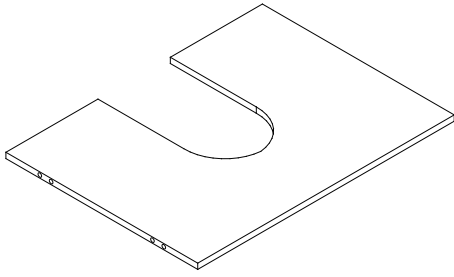
IDENTIFY PARTS

One unit per box



COMPONENTS

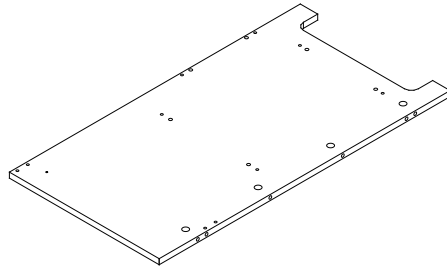
1



713x424x12mm

U-Shape Shelf x1

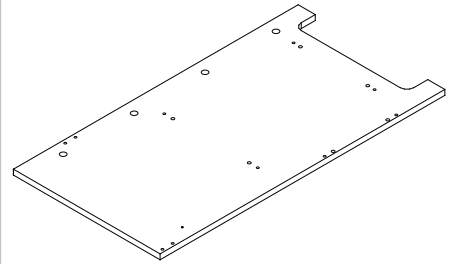
2



893x430x15mm

Left Side Panel x1

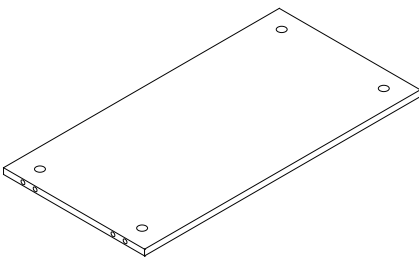
3



893x430x15mm

Right Side Panel x1

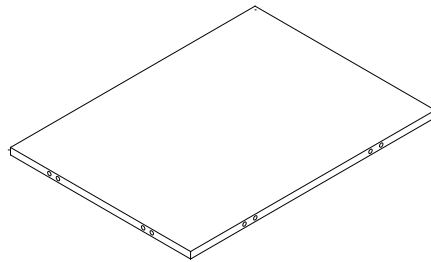
4



713x290x12mm

Lower Back Panel x1

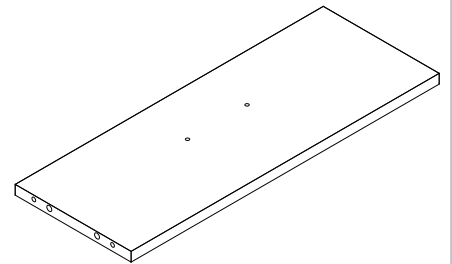
5



713x417.5x15mm

Bottom Panel x1

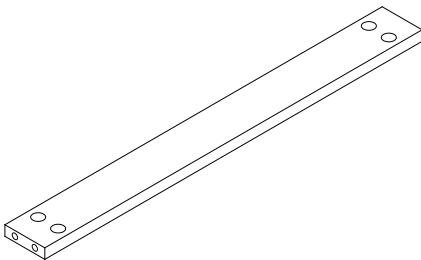
6



643x187x15mm

Faux Drawer Front Panel x1

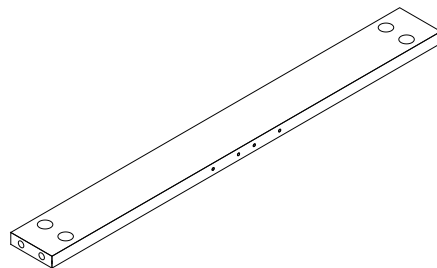
7



713x60x15mm

Top Back Panel x1

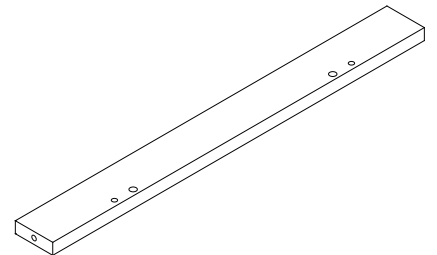
8



713x63x15mm

Upper Front Strip x1

9

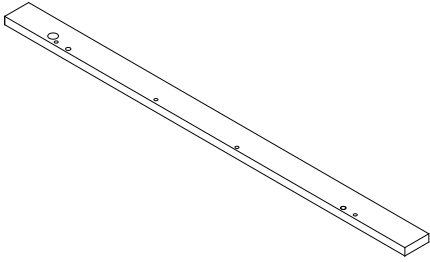


643x50x15mm

Lower Front Panel x1

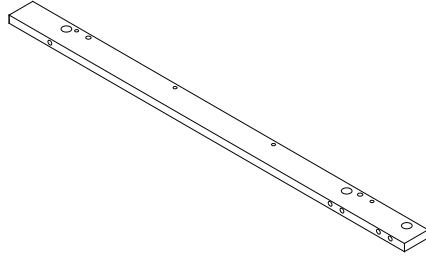
COMPONENTS

10



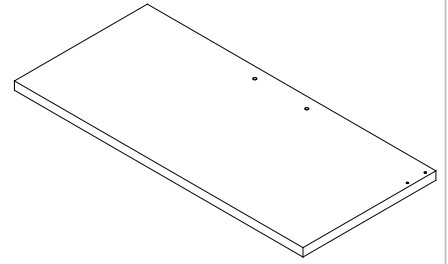
893x50x15mm
Left Front Panel x1

11



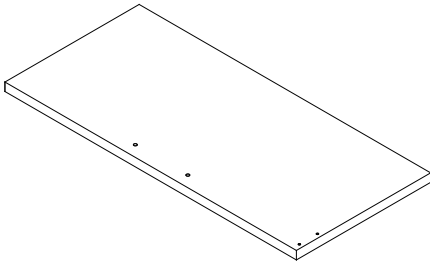
893x50x15mm
Right Front Panel x1

12



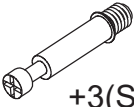


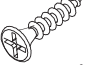
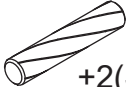
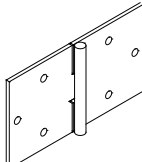
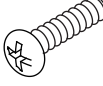
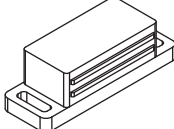


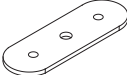

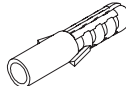
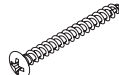

591x318.5x15mm
Left Door Panel x1

13



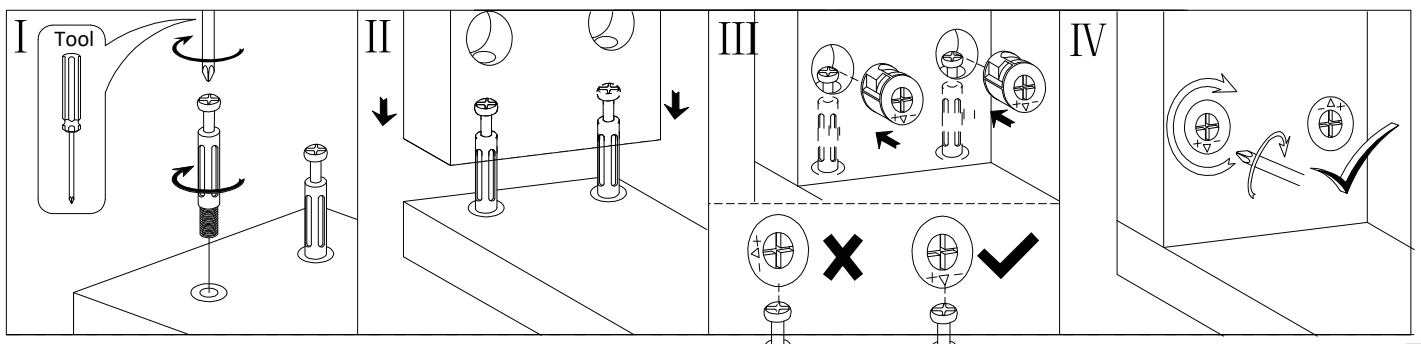
591x318.5x15mm
Right Door Panel x1

COMPONENTS

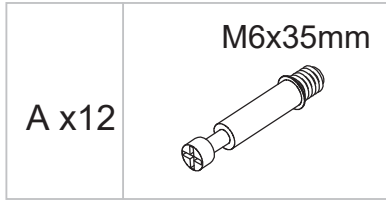
<p>A</p>  <p>+3(Spare) M6x35mm Cam Bolt (x38)</p>	<p>B</p>  <p>+3(Spare) 15x10mm Cam Lock (x38)</p>	<p>C</p>  <p>Handle (x3)</p>	<p>D</p>  <p>+3(Spare) M4X14mm Screw (x32)</p>
<p>E</p>  <p>+2(Spare) Ø6x30mm Wool Dowel x(24)</p>	<p>F</p>  <p>Hinge(x4)</p>	<p>G</p>  <p>M4X20mm Handle Screw (x4)</p>	<p>H</p>  <p>Magnet Latch(x2)</p>
<p>I</p>  <p>I-1 I-2 Anti-Tipping Kit & Screw (x2)</p>	<p>J</p>  <p>Hole Cover Sticker(x38)</p>	<p>K</p>  <p>Stainless Strike Plate(x2)</p>	<p>L</p>  <p>Clear Silicone Bumper Pad(x10)</p>
<p>M</p>  <p>Plastic Anchor(x2)</p>	<p>N</p>  <p>Screw(x2)</p>	<p>O</p>  <p>M4X8mm Handle Screw (x2)</p>	

Assembly guide for cam bolt (A) and cam lock (B)

Make sure to align the arrow of the cam lock with the direction of the bolt head. Do not over tighten.

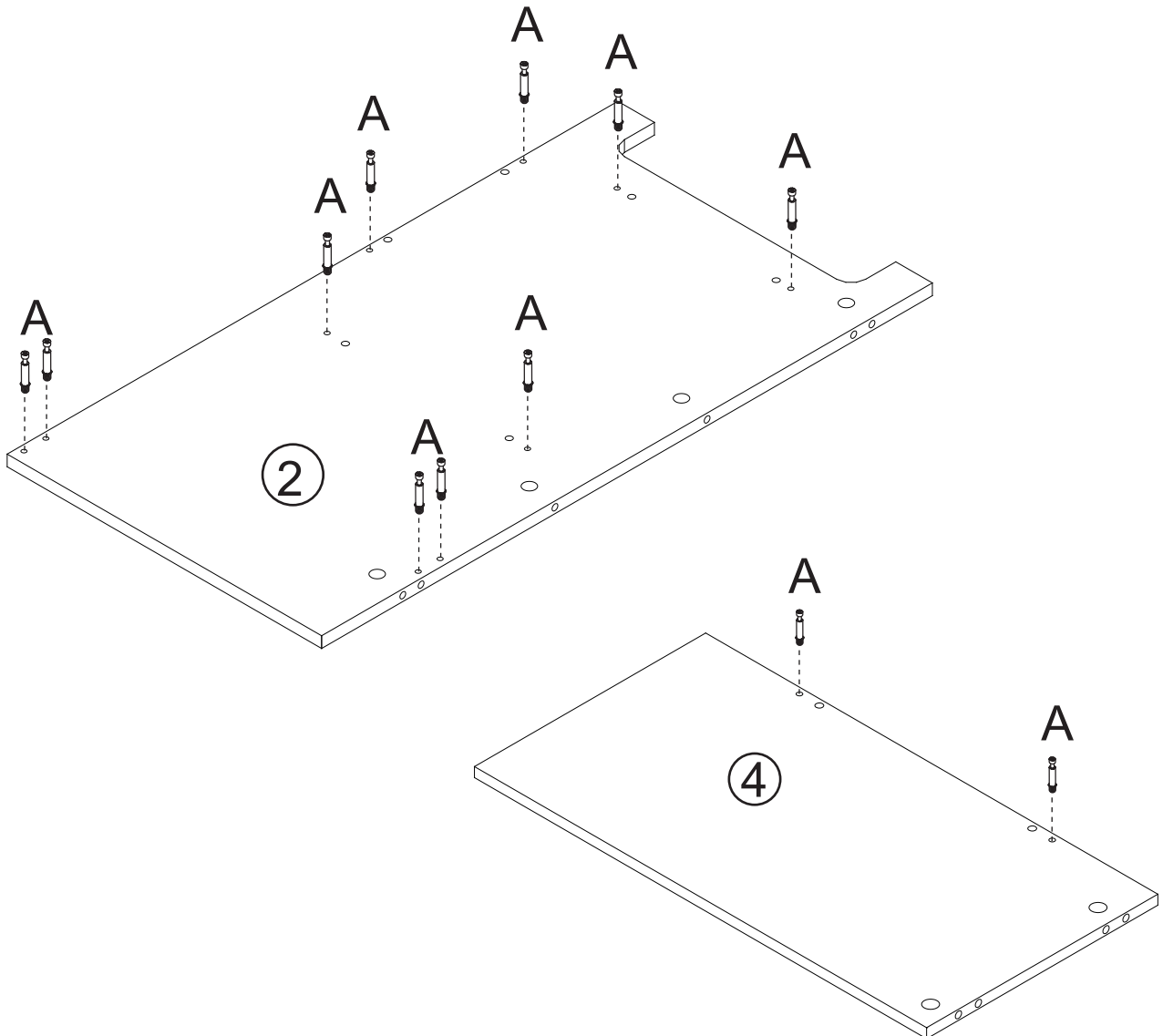


ASSEMBLY STEPS

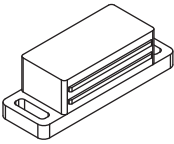
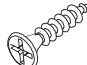


STEP 1

Screw the cam bolt (A) into panel (2) and panel (4).

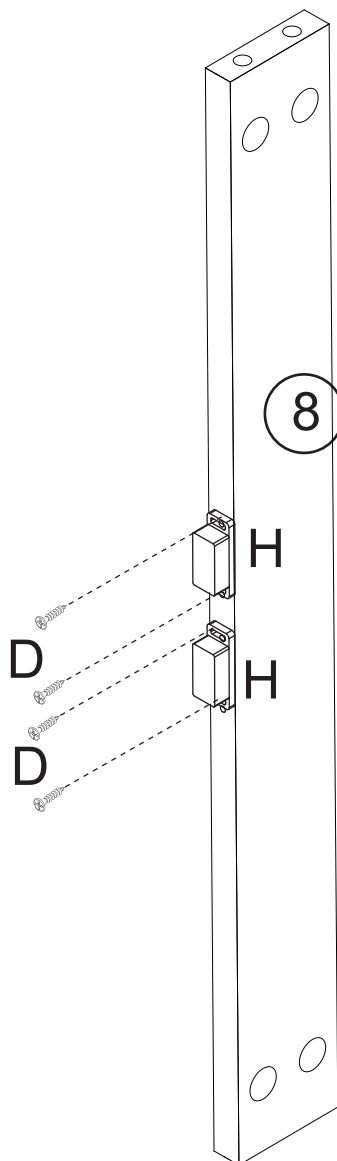


ASSEMBLY STEPS



H x2		D x4	M4X14mm 
------	---	------	--

STEP 2

Fix the magnet latch (H) on panel (8) with screw (D).

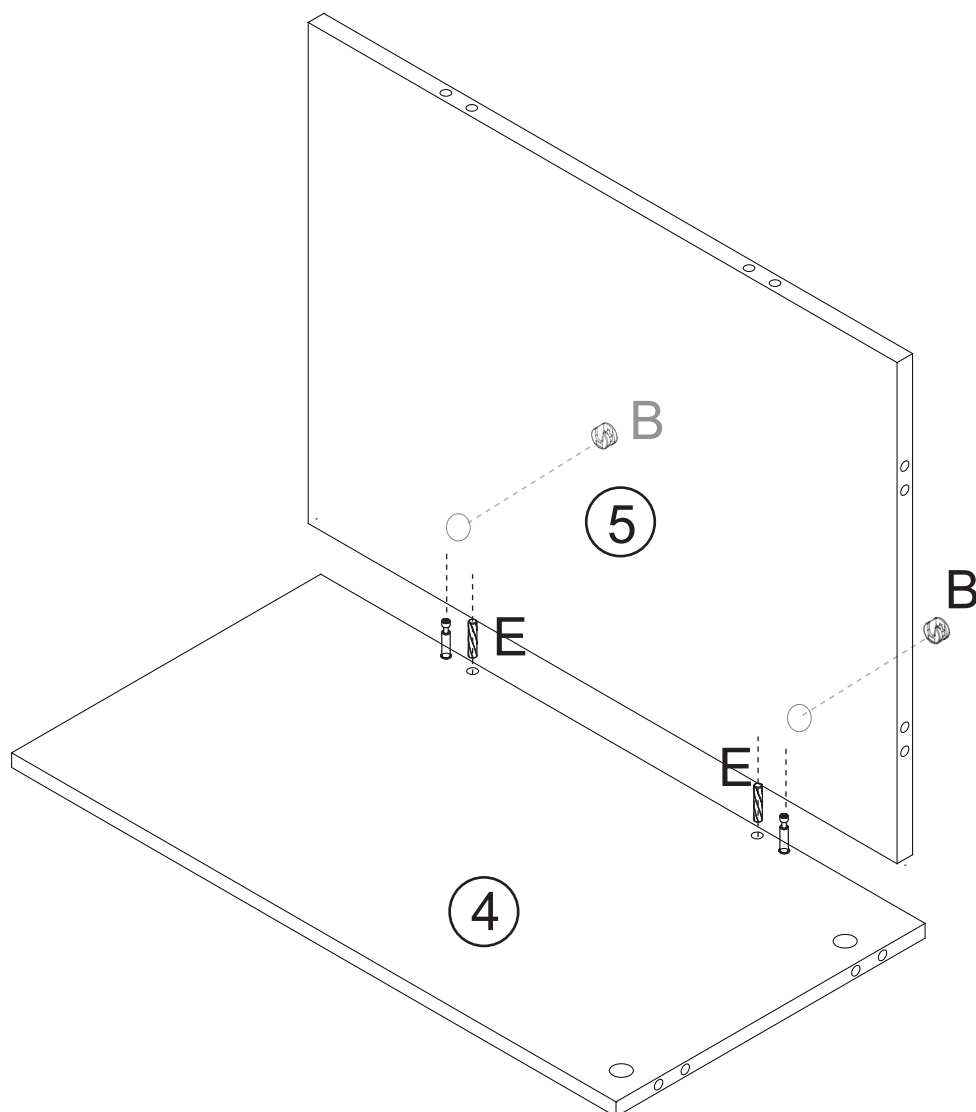


ASSEMBLY STEPS

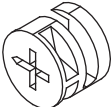
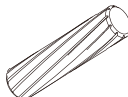
B x 2	15x10mm 	E x 2	Ø6x30mm 
-------	--	-------	--

STEP 3

Connect panel (4) to panel (5) with wood dowel (E) and secure with cam lock (B).

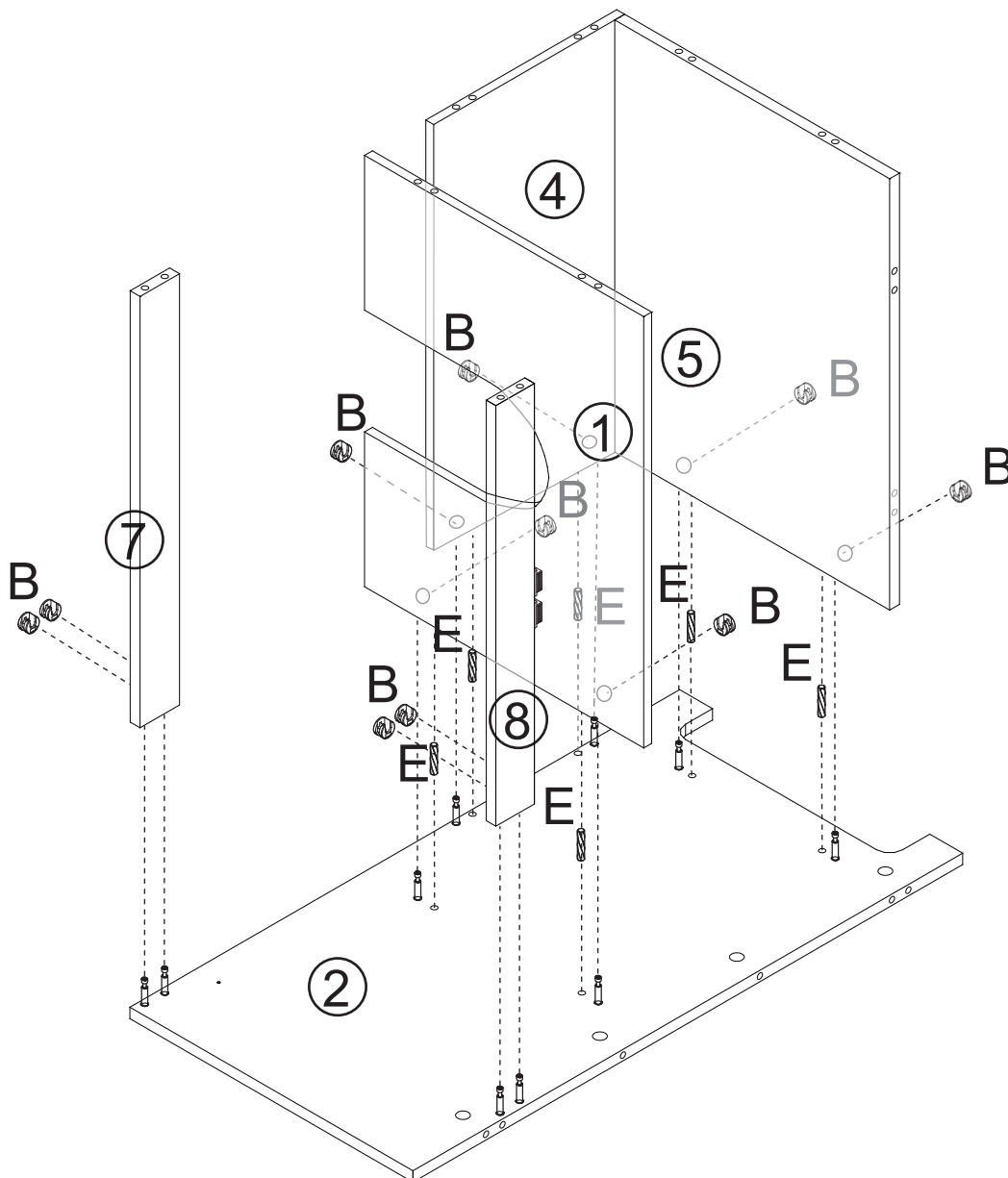


ASSEMBLY STEPS

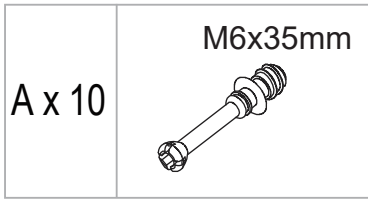
	15x10mm		Ø6x30mm
B x 10		E x 6	

STEP 4

1. Attach panel (1) to panel (2) using wood dowel (E) and secure with cam lock (B).
2. Attach panel (7) and panel (8) to panel (2) using wood dowel (E) and secure with cam lock (B).
3. Attach the already installed panel (4) and panel (5) to panel (2) using wood dowel (E) and secure with cam lock (B).

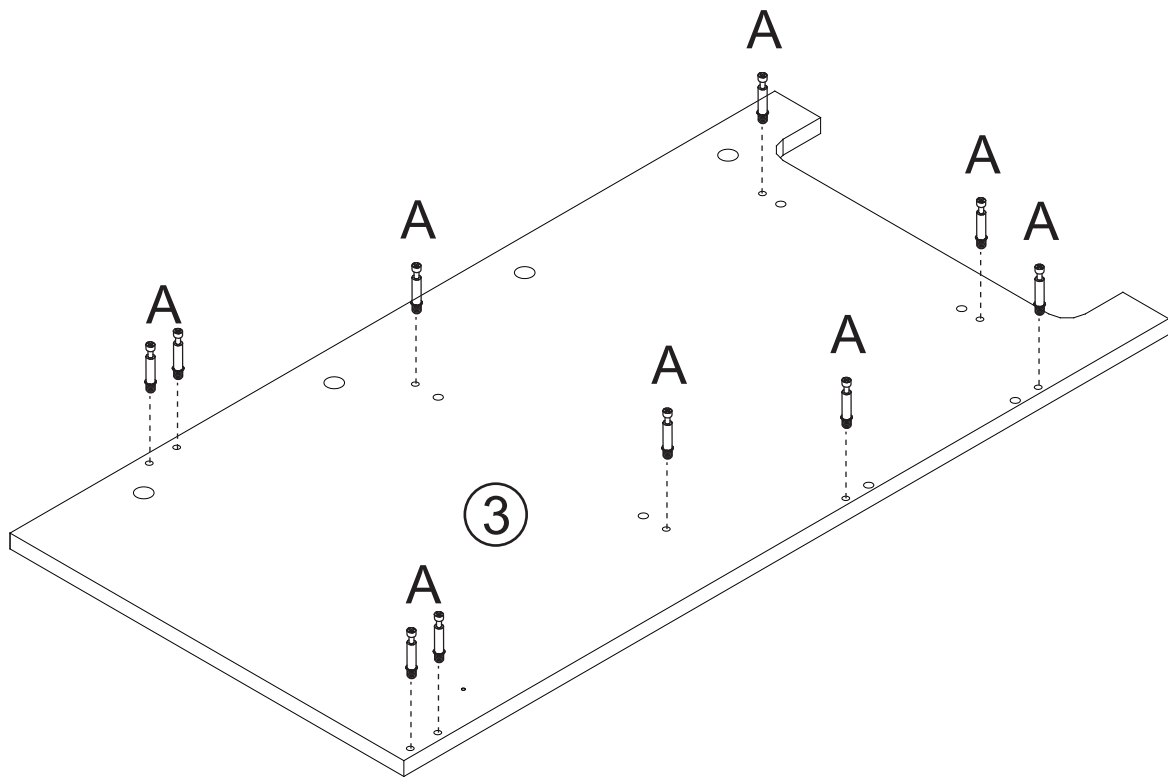


ASSEMBLY STEPS





STEP 5

Screw the cam bolt (A) into panel (3).

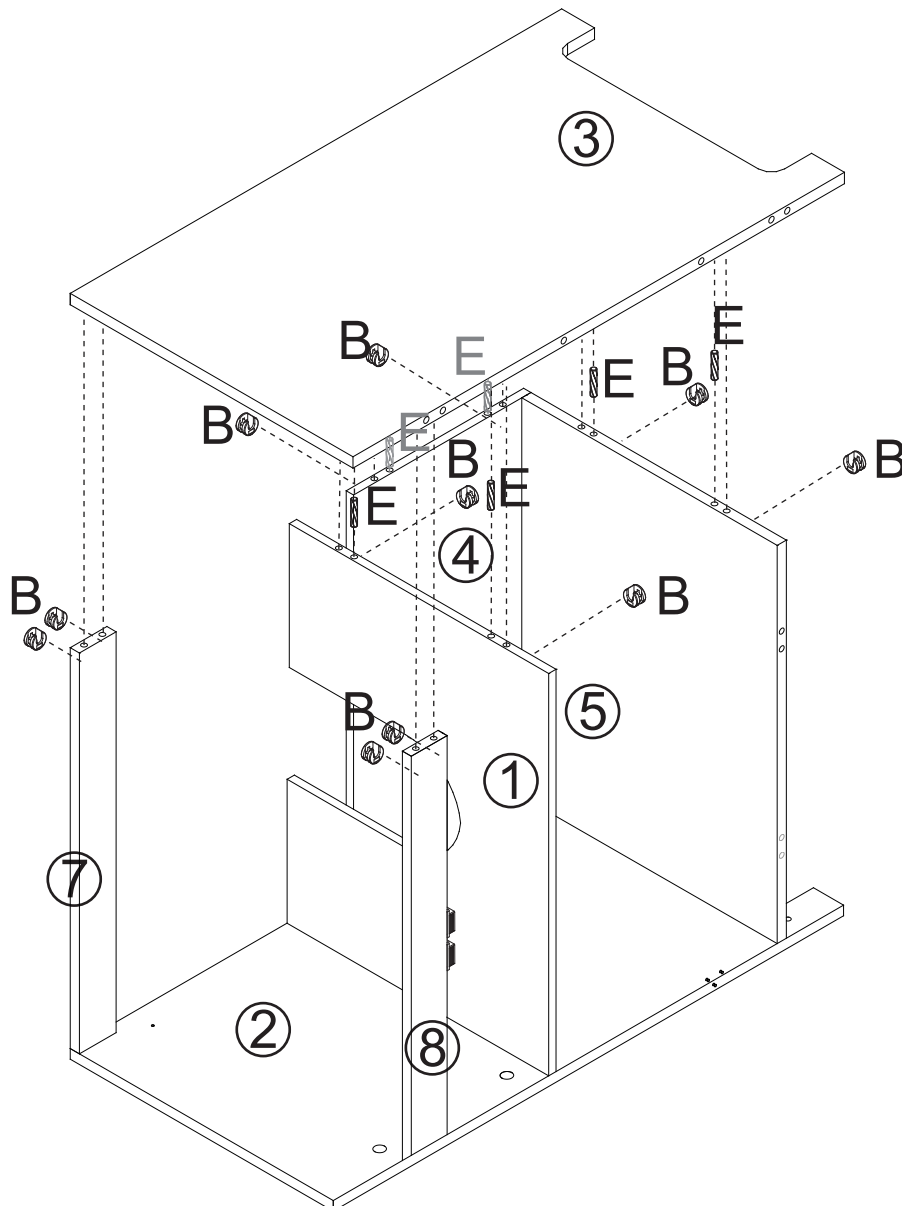


ASSEMBLY STEPS

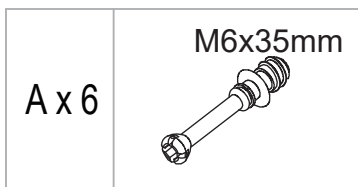
	15x10mm		Ø6x30mm
B x 10		E x 6	

STEP 6

Connect panel (3) to the components installed in step 4 with wood dowel (E) and secure with cam lock (B).

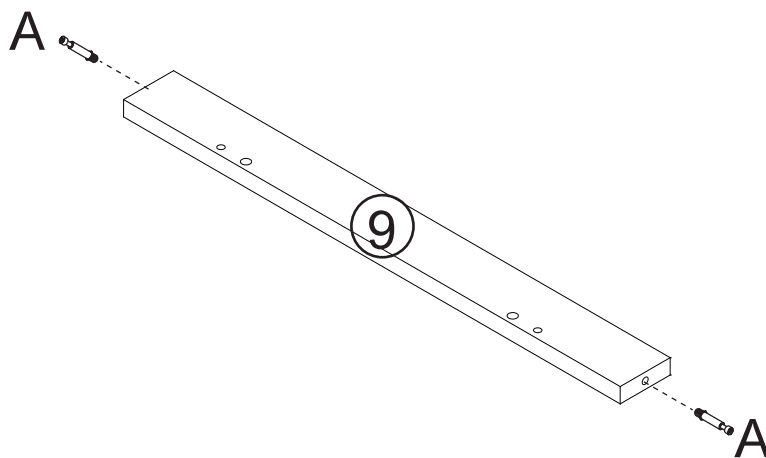
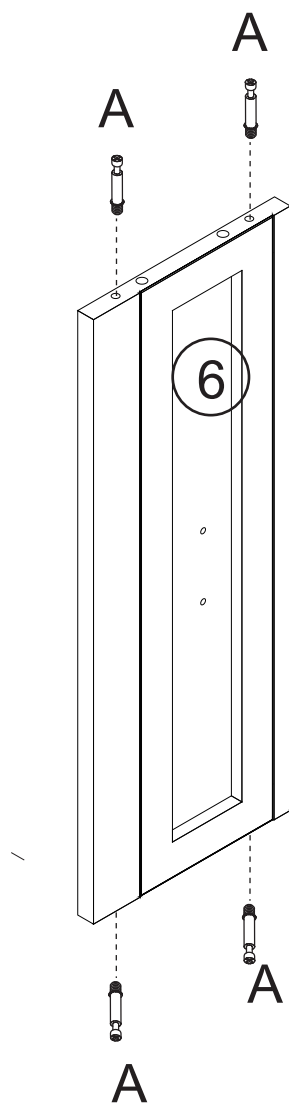


ASSEMBLY STEPS

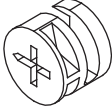



STEP 7

1. Screw the cam bolt (A) to the faux drawer front panel (6).
2. Screw the cam bolt (A) into panel (9).

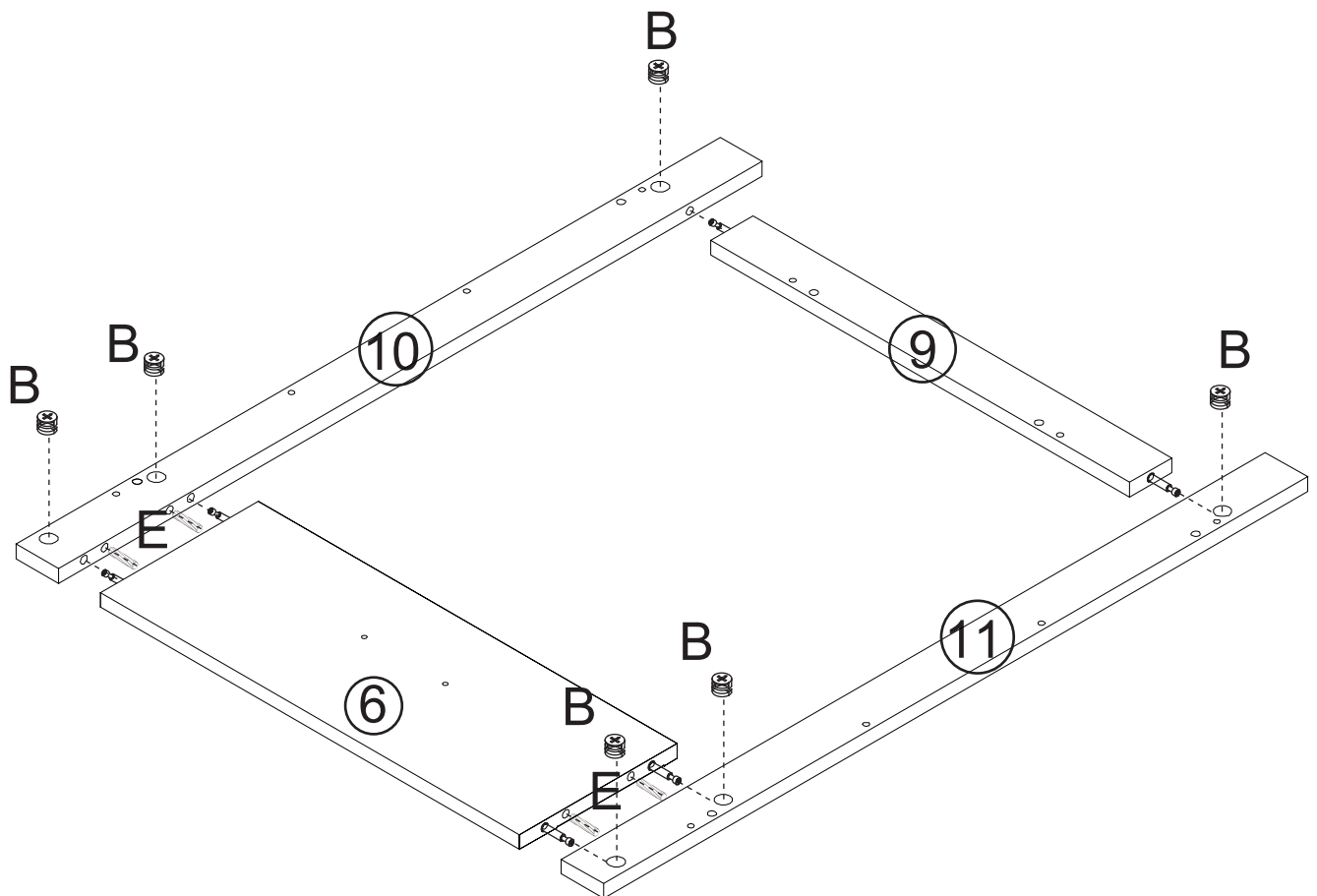


ASSEMBLY STEPS

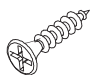
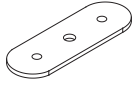
B x 6	15x10mm 	E x 4	Ø6x30mm 
-------	--	-------	--

STEP 8

Use wood dowel (E) to connect panel (6) and panel (9) to panel (10) and panel (11) and secure with cam lock (B).

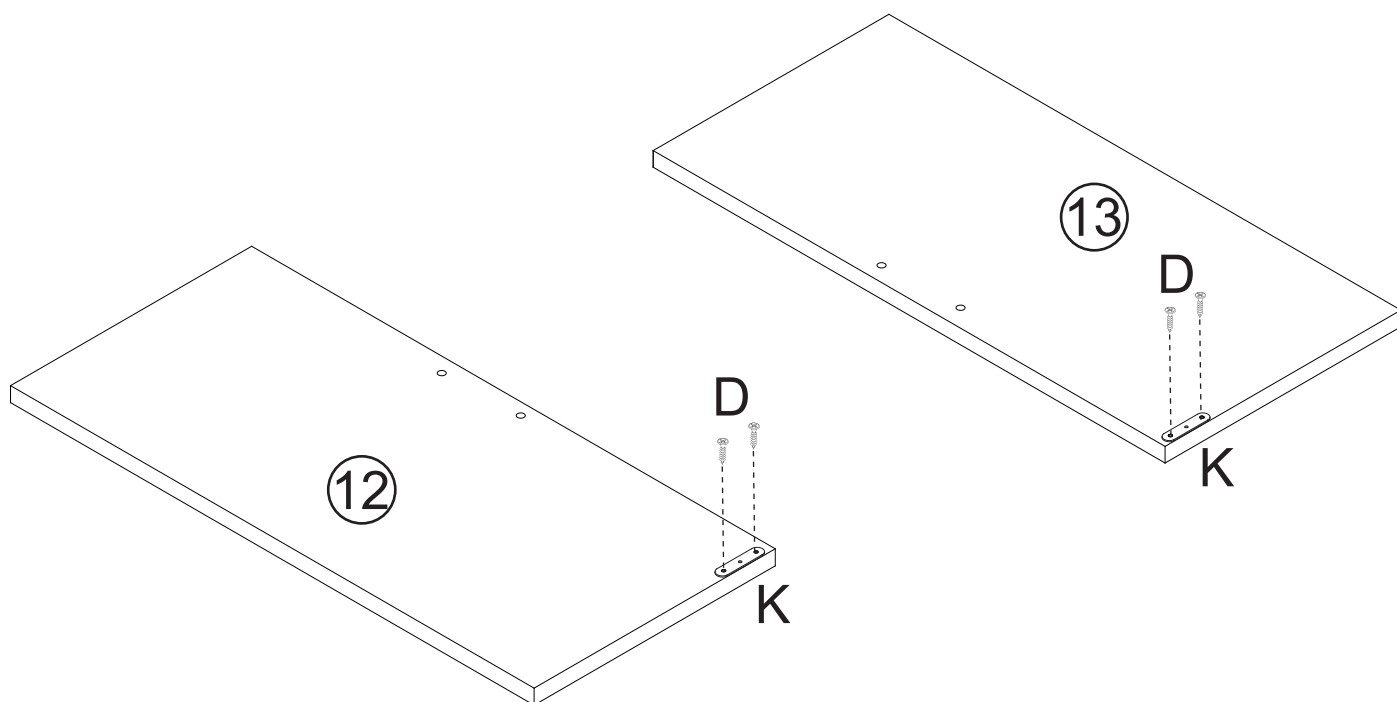


ASSEMBLY STEPS

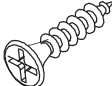
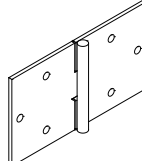
D x 4	M4X14mm 	K x 2	
-------	--	-------	---

STEP 9

Use screw (D) to attach stainless strike plate (K) to panel (12) and panel (13) respectively.

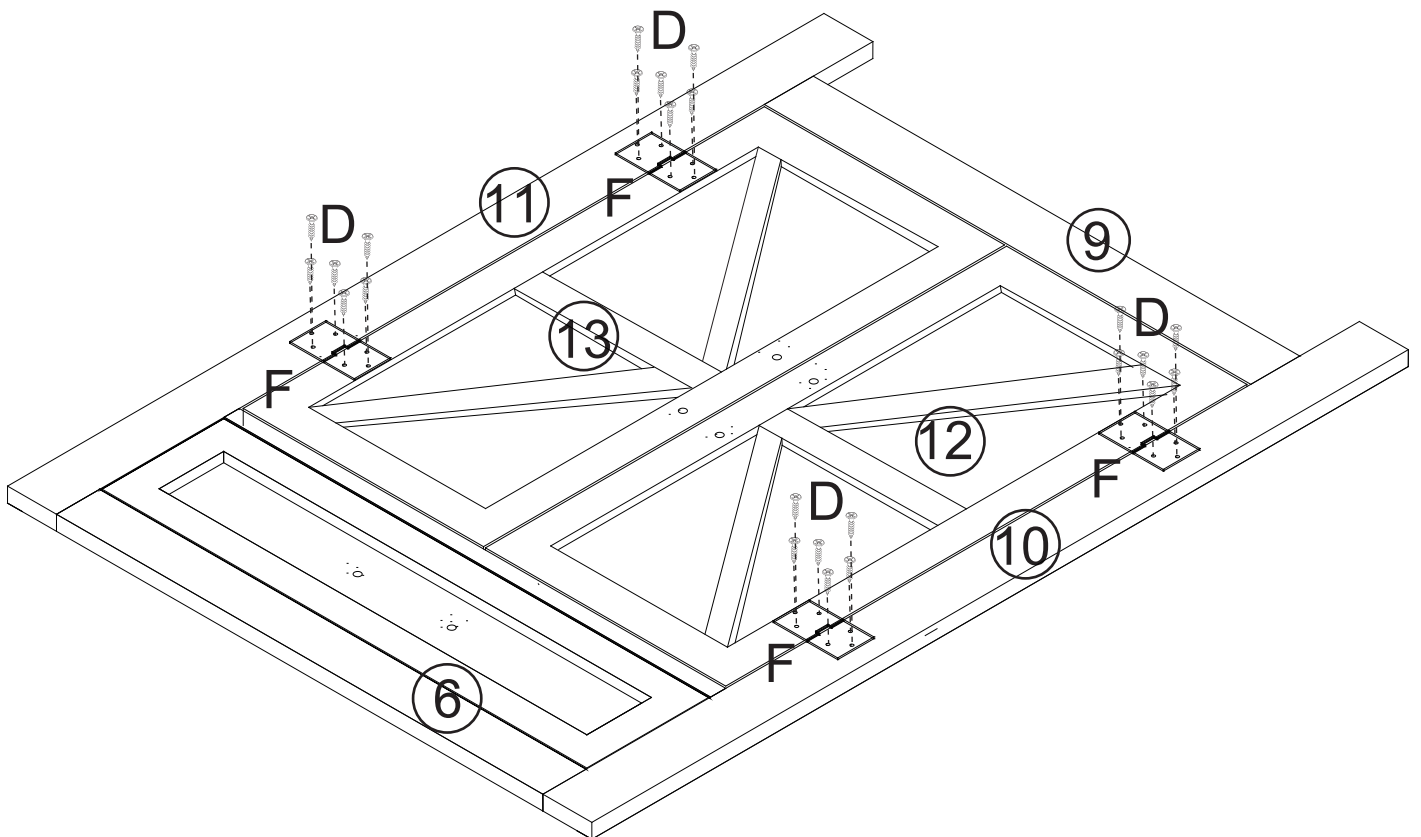


ASSEMBLY STEPS

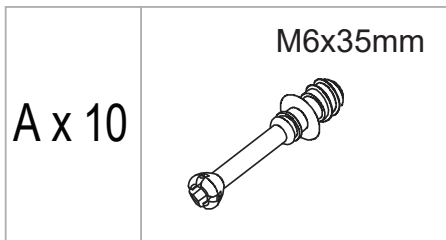
D x 24	M4X14mm 	F x 4	
--------	--	-------	---

STEP 10

Use screw (D) to connect panel (12) and panel (13) to the components installed in step 8 .

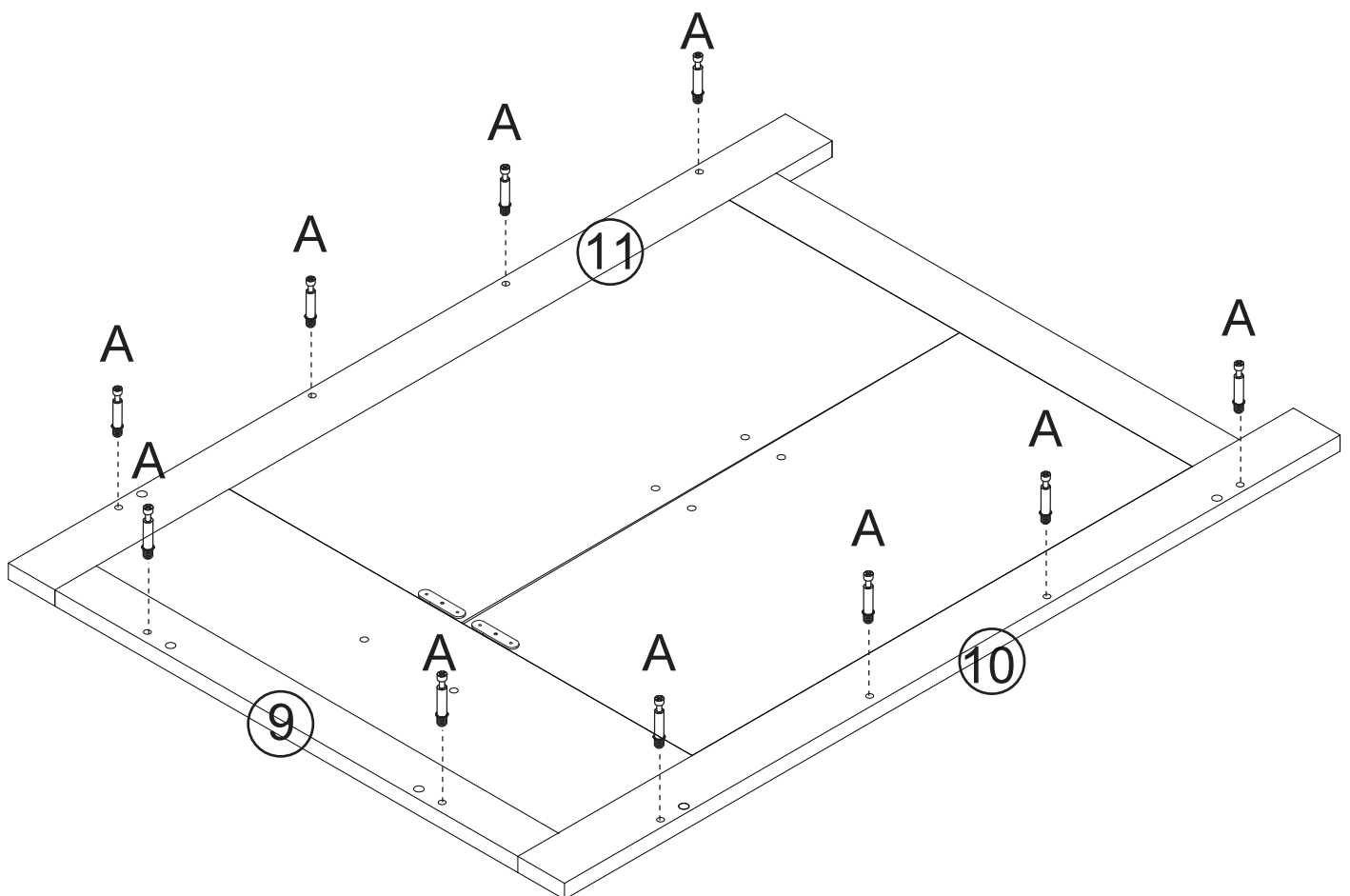


ASSEMBLY STEPS





STEP 11

Screw the cam bolt (A) into panel(9),panel (10) and panel (11) respectively.

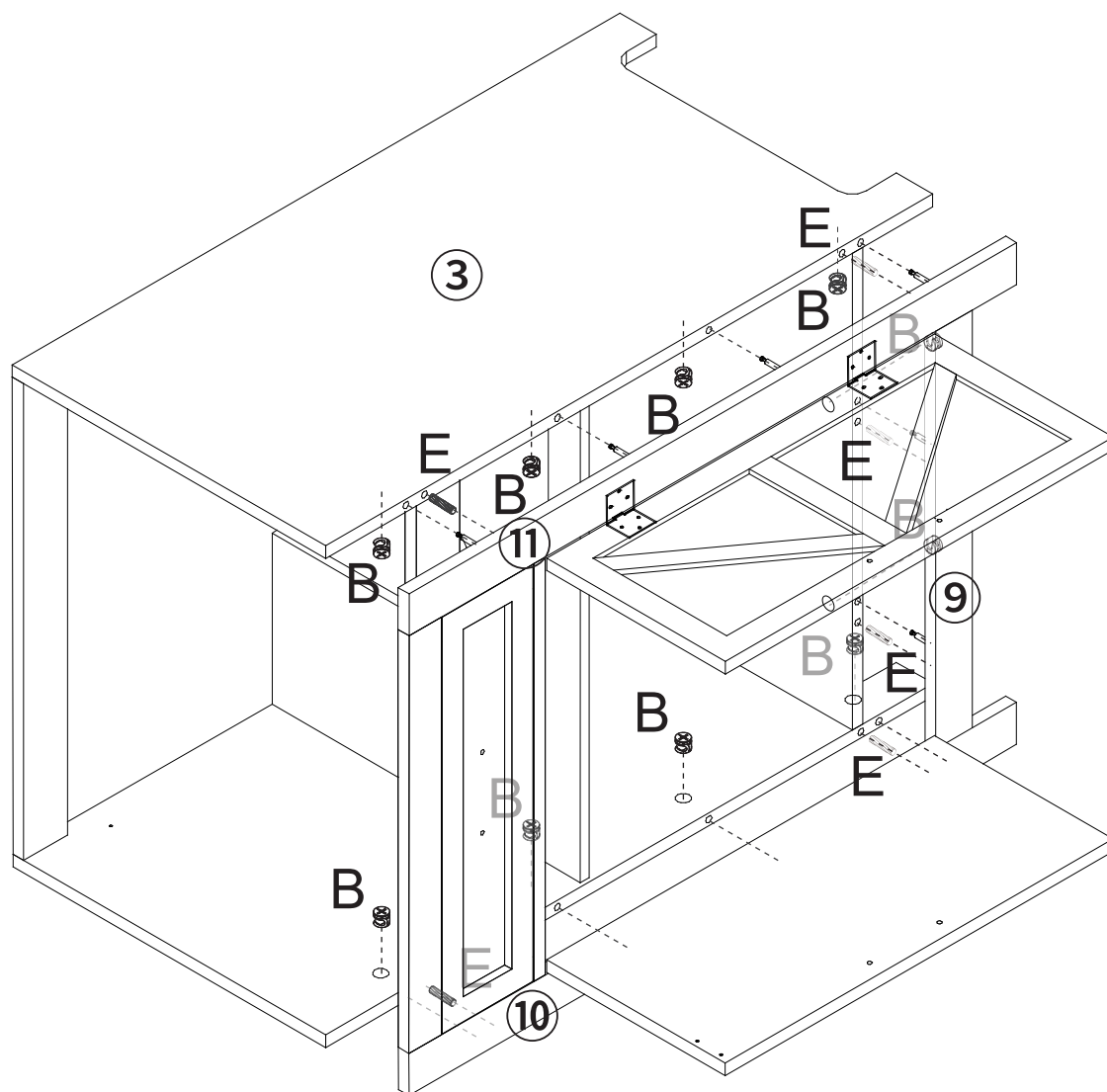


ASSEMBLY STEPS

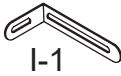

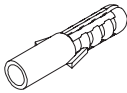

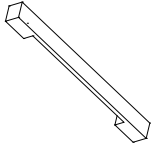
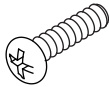

B x 10	15x10mm 	E x 6	Ø6x30mm 
--------	--	-------	--

STEP 12

Use wood dowel (E) to connect the assembly frame in step 11 and secure with cam lock (B).

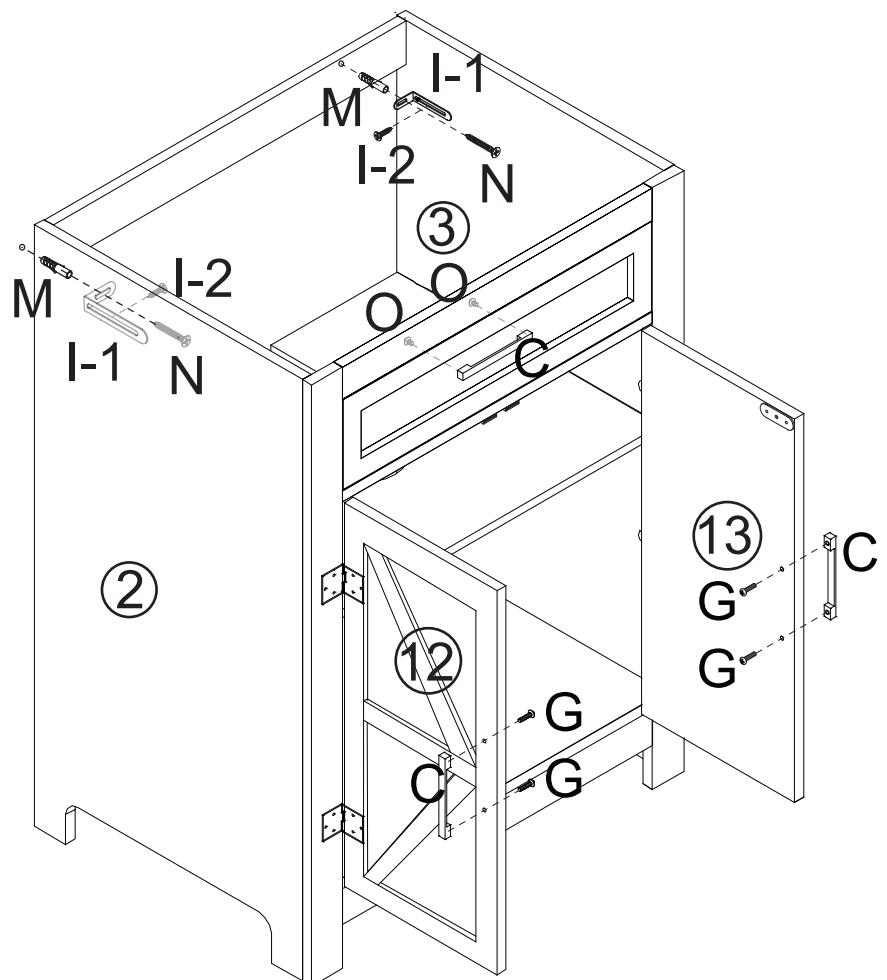
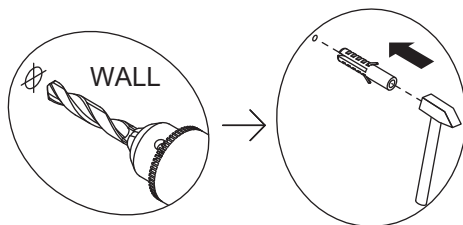


ASSEMBLY STEPS

I x 2			M x 2		N x 2		C x 3	
G x 4		M4X20mm	O x 2		M4X8mm			

STEP 13

1. Fix the anti-tipping kit (I-1) on panel (2) and panel (3) using screw (I-2).
2. Drill two holes in the wall and insert the plastic anchor (M).
3. Embed the plastic anchor (M) into holes, and then use screw (N) to pass through the anti-tipping kit (I-1) to fix it onto the wall.
4. Use screw (G) to attach the handle (C) to panel (12), panel (13).
5. Use screw (O) to attach the handle (C) to panel (6).

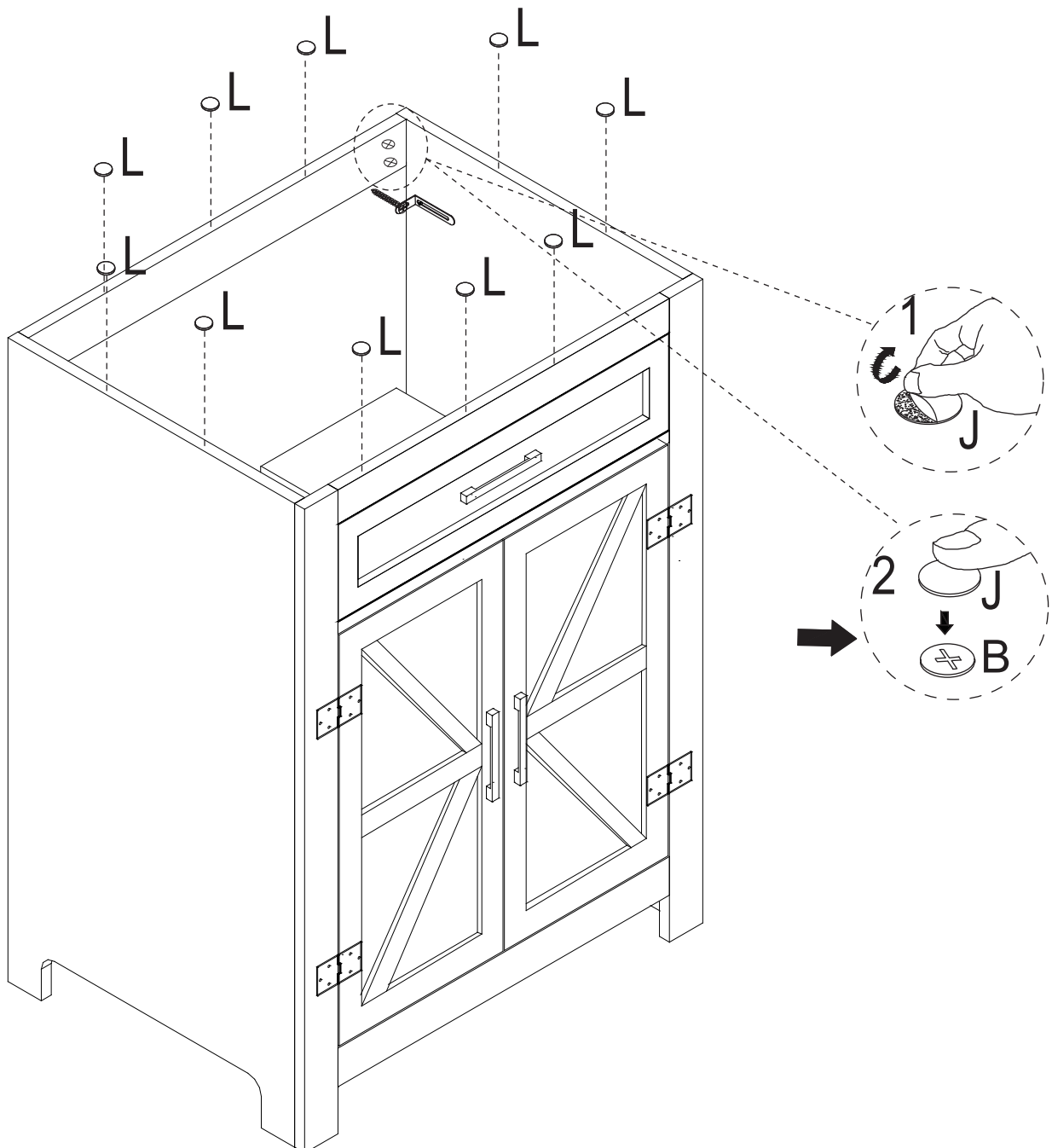


ASSEMBLY STEPS

J x 38		L x 10	
--------	--	--------	--

STEP 14

1. Use hole cover sticker (J) to cover hole position.
2. Use clear silicone bumper pad (L) to stick it to the top surface of the cabinet to increase friction, so that the ceramic sink can be better secured above the cabinet as shown below.



1.What should I do when I received a defected item?

Please feel free to contact VINGLI customer service via the link where you purchased this item with your order ID, pictures of the defective areas to us. We are eager to help you to make it right.

2.Is it easy to put the screws to the panels?

Yes. As long as you follow the instruscion and use the correct screws and put it in the correct holes, it is easy to screw it into pre-drilled holes.

3.What should I do if I have a problem with the drawers not closing flush?

The problem with the drawers not closing flush is usually caused by the assembly of the drawer slides.Here are the solutions as below:

1)Please check whether the slide rail is damaged,for example,the ball of the slide rail has fallen out,if so,please ask us for replacements of the drawer slides;

2)Refer to the assembly manual to check if the holes for the slide rail are assembled correctly.If there is no problem with the assembly,but the slide rail is stuck in the process of pushing in,please release the entire drawer as you did the first time you removed the drawer slides,and then push it back in again.

Any query,please contact us directly.

Supplementary Instructions for Safe Use

English

WARNING



Children have died from furniture tipover. To reduce the risk of furniture tipover:

- ALWAYS install tipover restraint provided.
- NEVER put a TV on this product.
- NEVER allow children to stand, climb or hang on drawers, doors, or shelves.
- NEVER open more than one drawer at a time.
- Place heaviest items in the lowest drawers.
- Do not defeat or remove the drawer interlock system.

This is a permanent label.

Do not remove!

French

ATTENTION



Des enfants sont morts du basculement des meubles. Pour réduire le risque de basculement des meubles:

- TOUJOURS installer la retenue de basculement fournie.
- NE JAMAIS mettre de téléviseur sur ce produit.
- NE JAMAIS permettre aux enfants de se tenir debout, de grimper, ou de s'accrocher à des tiroirs, des portes ou des étagères.
- N'ouvrez JAMAIS plus d'un tiroir à la fois.
- Placez les objets les plus lourds dans les tiroirs les plus bas.
- Ne désactivez pas et ne retirez pas le système de verrouillage du tiroir.

Ceci est une étiquette permanente.

Ne pas enlever!

German

WARNUNG



Kinder sind an einem Möbelkippen gestorben. So verringern Sie das Risiko eines Umkippen von Möbeln:

- Installieren Sie **IMMER** die mitgelieferte Kipprückhaltevorrichtung.
- Stellen Sie **NIEMALS** einen Fernseher an dieses Produkt.
- Lassen Sie Kinder **NIEMALS** an Schubladen, Türen oder Regalen stehen klettern oder hängen.
- Öffnen Sie **NIEMALS** mehr als eine Schublade gleichzeitig.
- Legen Sie schwerste Gegenstände in die untersten Schubladen.
- Besiegen oder entfernen Sie das Schubladenverriegelungssystem nicht.

Dies ist ein dauerhaftes Etikett.

Nicht entfernen!