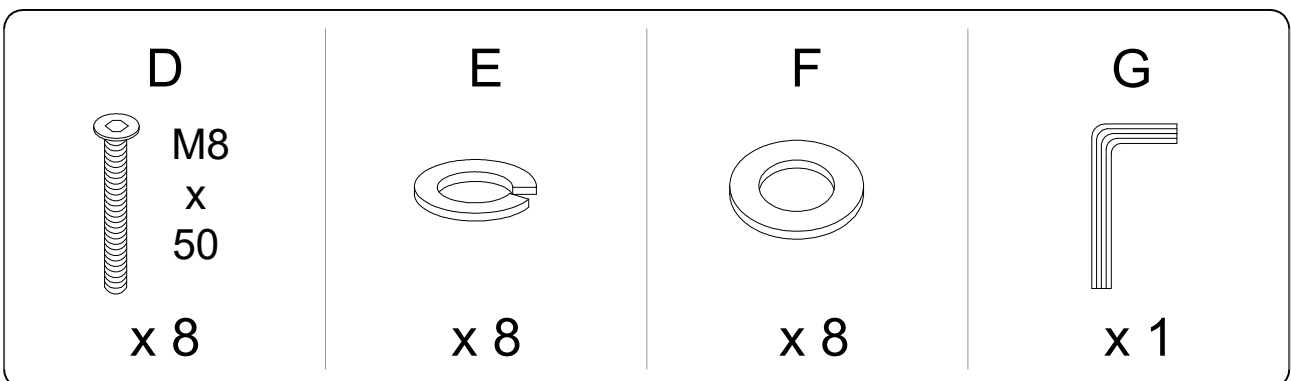
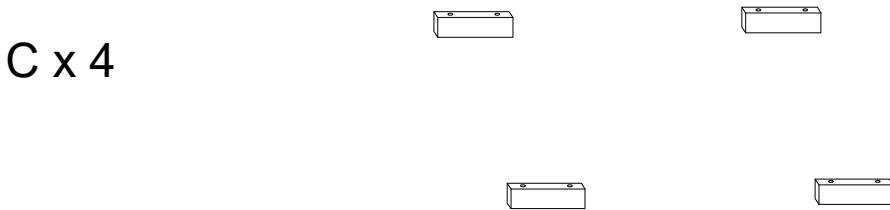
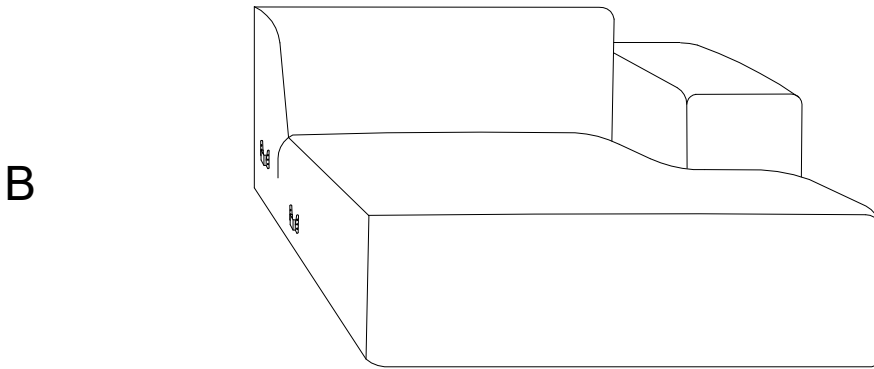
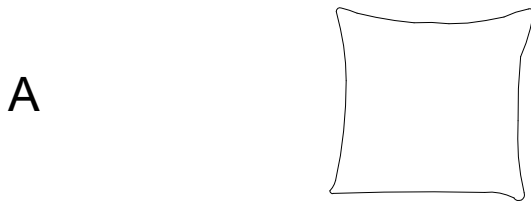
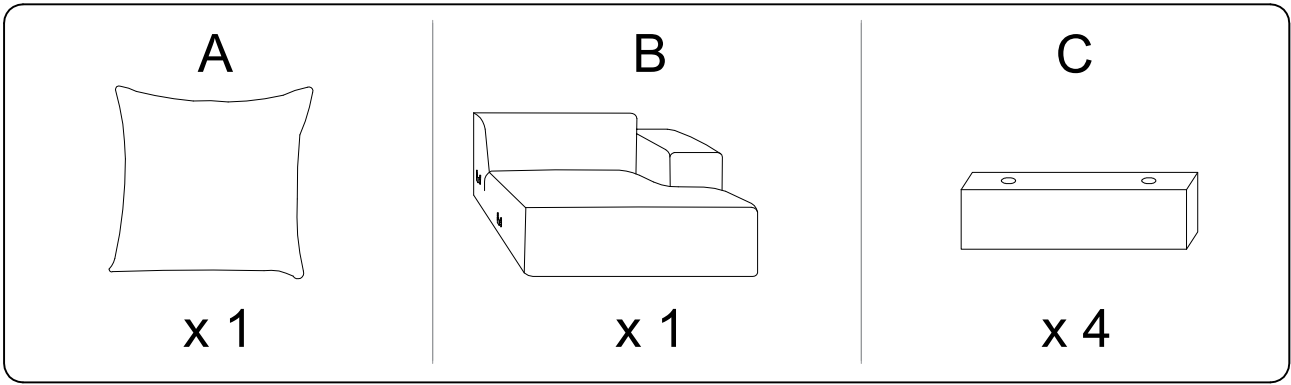
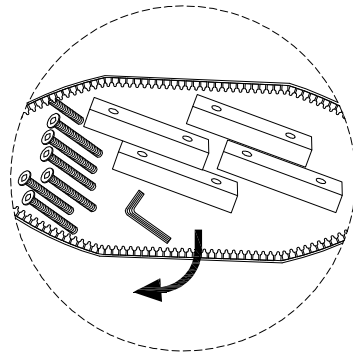
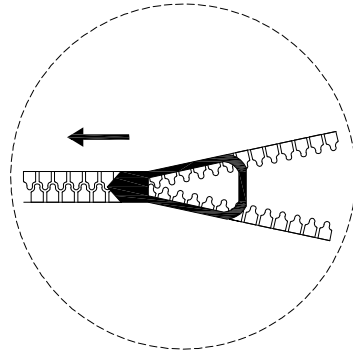
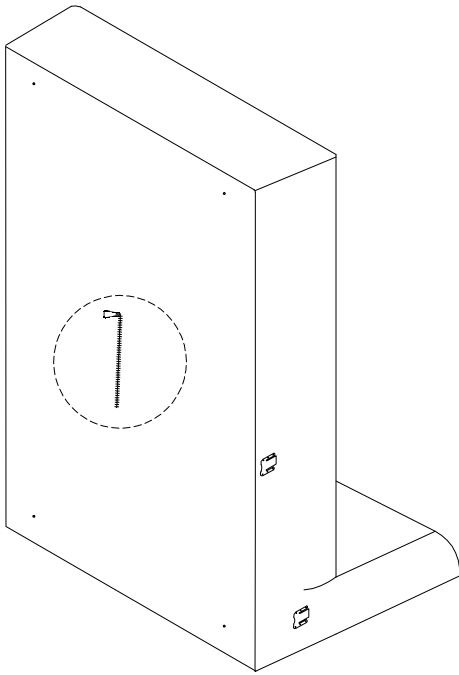


Assembly instructions for the sofa:

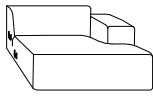
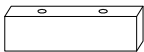
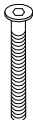


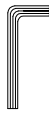
- Warning:** Do not use a power drill. Use an Allen key (shown in a circle) to tighten the legs.
- Warning:** Do not place the sofa on an uneven surface. Place it on a flat surface (shown in a circle).
- Time:** 15 minutes.
- Personnel:** 2 people.

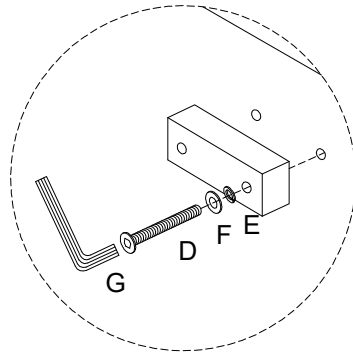
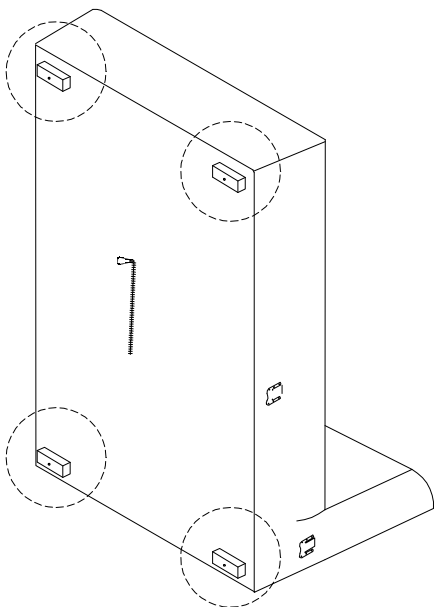


!

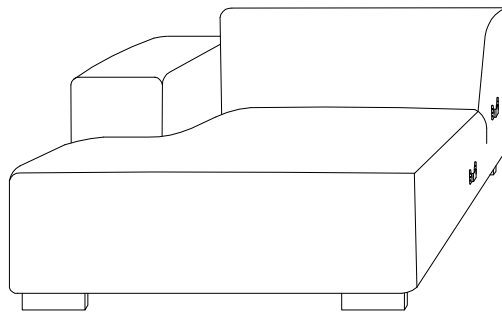
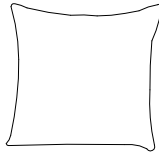
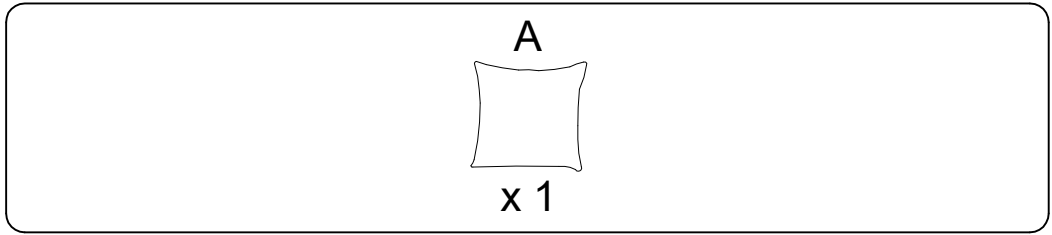


1

B  x 1	C  x 4	D  M8 x 50 x 8	E  x 8	F  x 8	G  x 1
--	--	--	---	--	--



2



!

