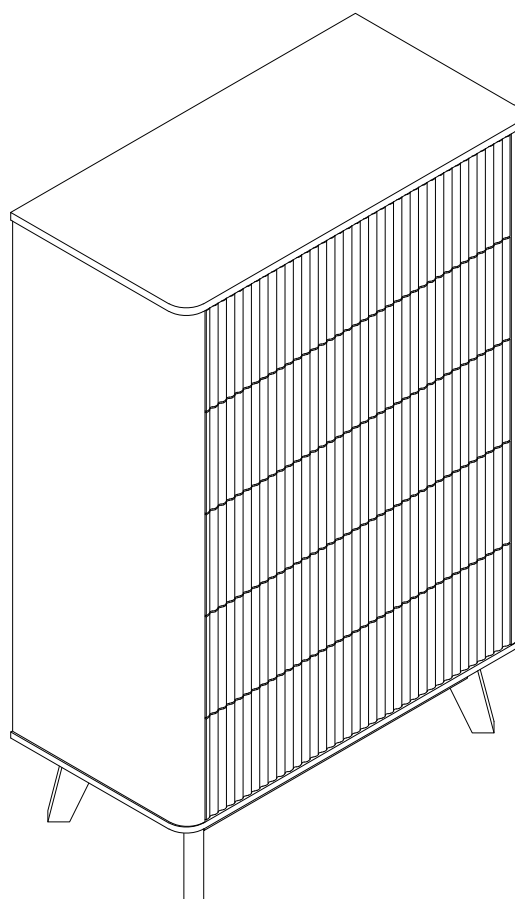
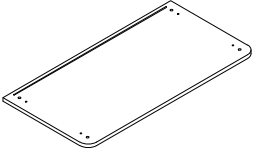
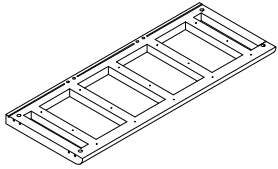
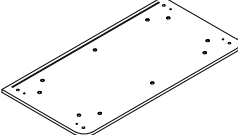
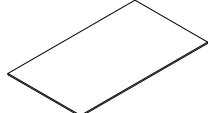
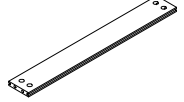
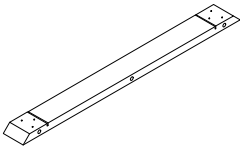
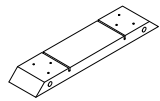
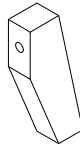
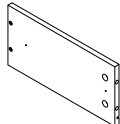
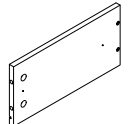
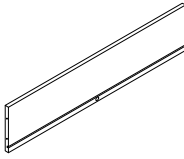
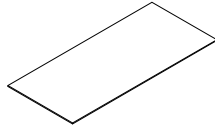
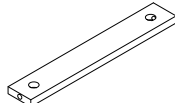
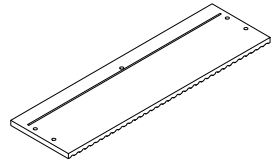

Wave five-drawer cabinet

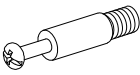
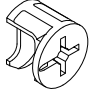
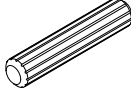
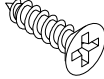
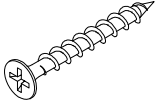
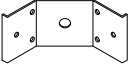
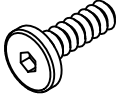
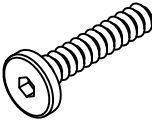

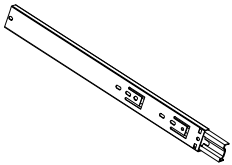
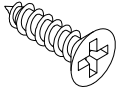
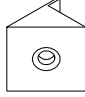
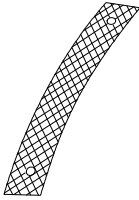
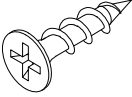
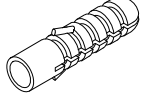

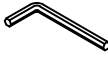
–Instruction Manual–

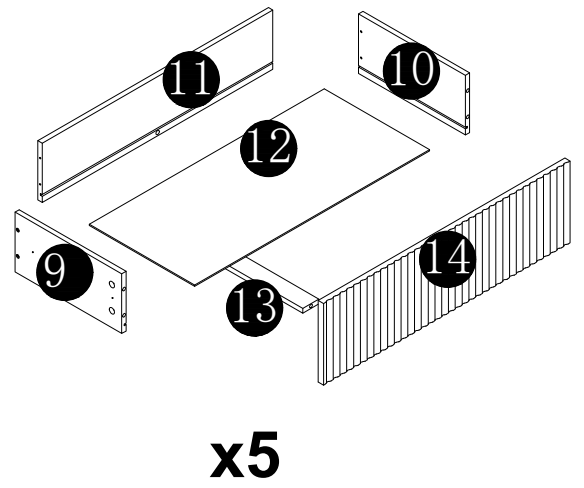
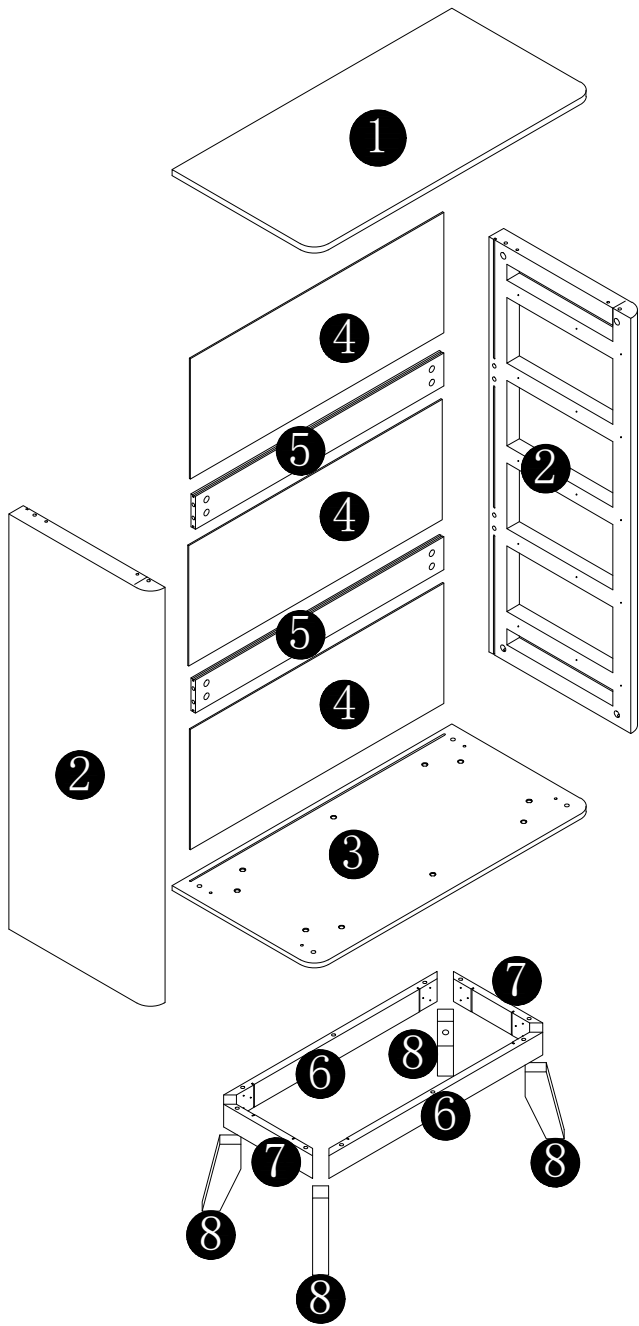


HARDWARE LIST

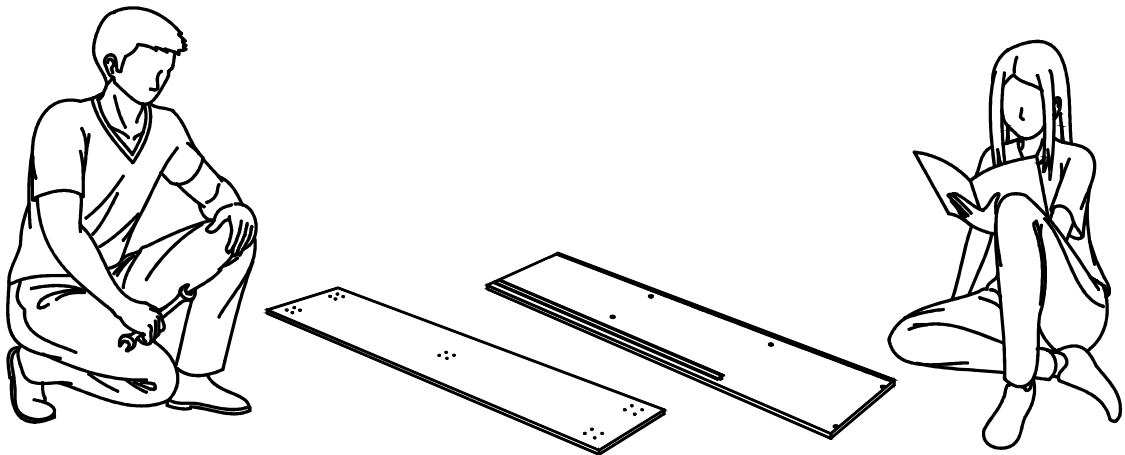
1  1PC	2  2PCS	3  1PC	4  3PCS	5  2PCS
6  2PCS	7  2PCS	8  4PCS	9  5PCS	10  5PCS
11  5PCS	12  5PCS	13  5PCS	14  5PCS	

HARDWARE LIST

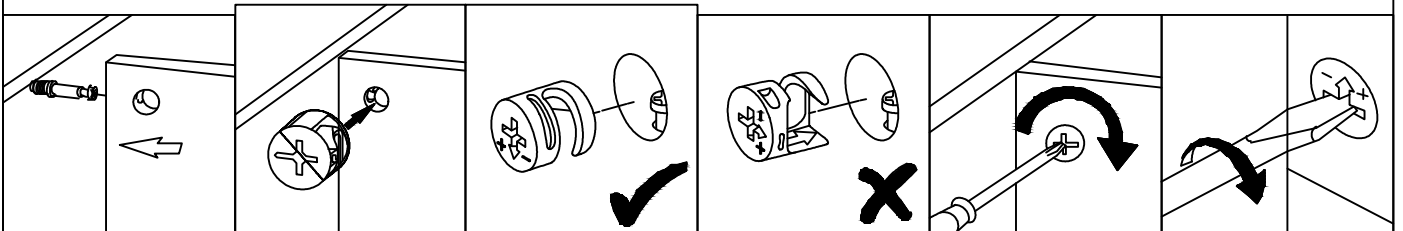
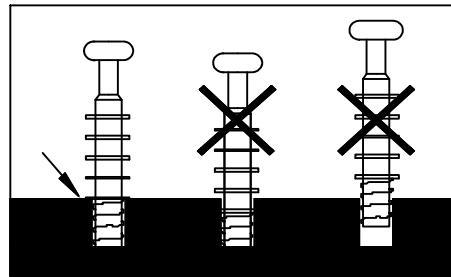
<p>A</p>  <p>6x35mm 46(+2)PCS</p>	<p>B</p>  <p>46(+2)PCS</p>	<p>C</p>  <p>6x30mm 8(+1)PCS</p>	<p>D</p>  <p>M3.5x12mm white 74(+2)PCS</p>	<p>E</p>  <p>M3.5x35mm 22(+2)PCS</p>
<p>F</p>  <p>4PCS</p>	<p>G</p>  <p>M8x25mm 4PCS</p>	<p>H</p>  <p>M6x70mm 10PCS</p>	<p>I</p>  <p>4(+1)PCS</p>	<p>J</p>  <p>10PCS</p>
<p>K</p>  <p>M3x14mm 12(+1)PCS</p>	<p>L</p>  <p>12PCS</p>	<p>M</p>  <p>2PCS</p>	<p>N</p>  <p>M3.5x20mm 2PCS</p>	<p>O</p>  <p>2PCS</p>
<p>P</p>  <p>4mm 1PC</p>	<p>Q</p>  <p>5mm 1PC</p>			



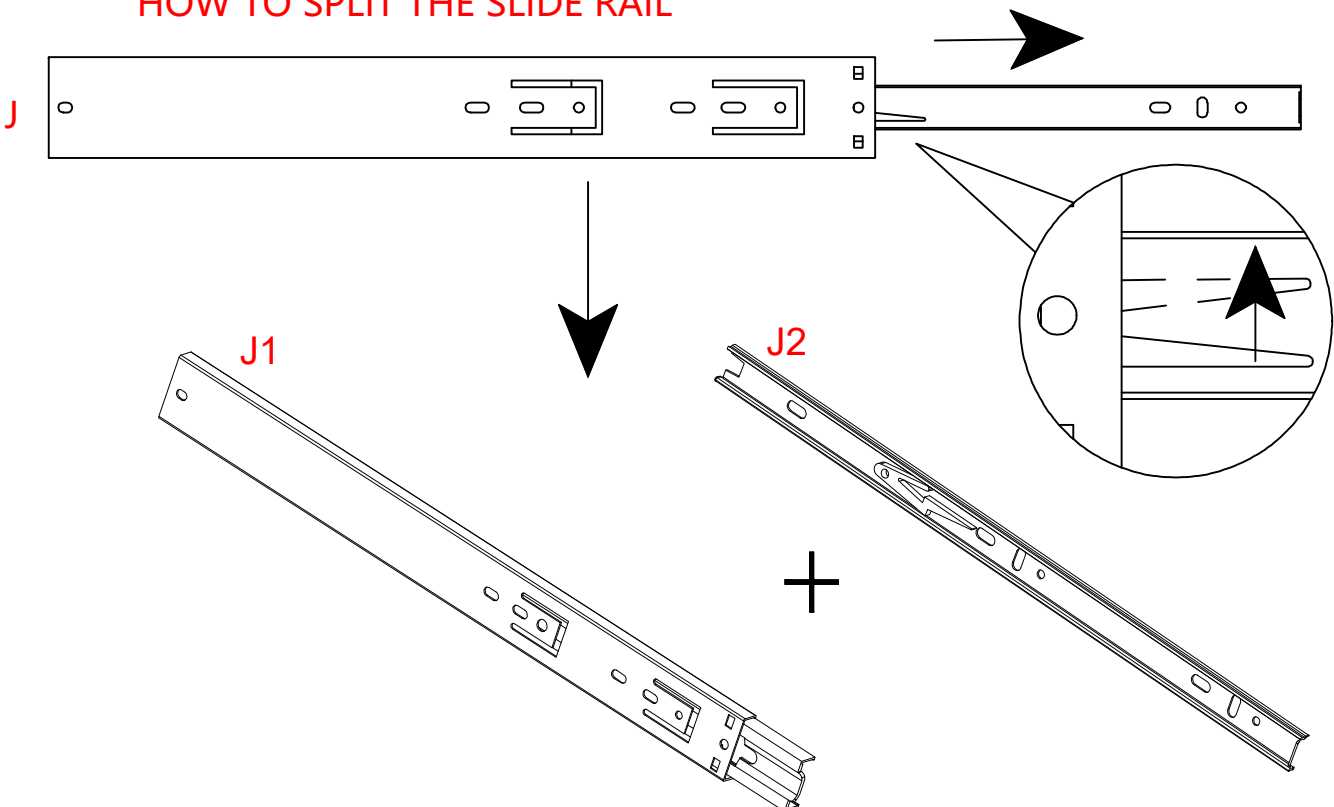
This furniture requires 2 people to assemble.
Make sure no parts missing or damaged before assembly.



Installation method of three in one rod and buckle






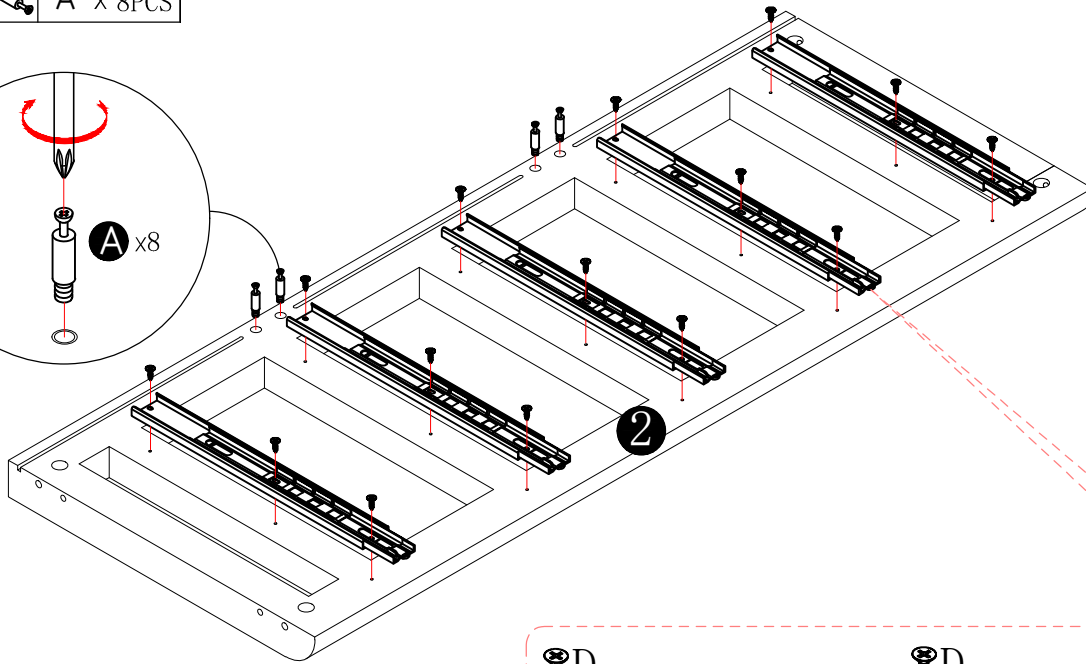
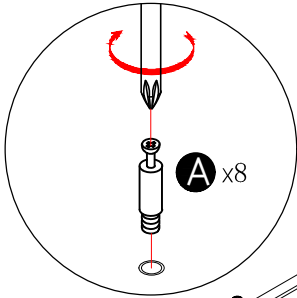
HOW TO SPLIT THE SLIDE RAIL



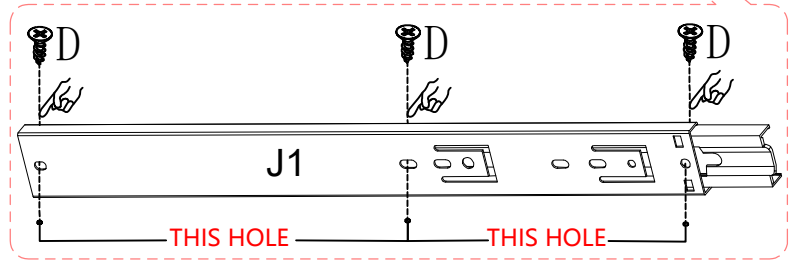
Steps

1

	J1 x10PCS
	D x30PCS
	A x 8PCS

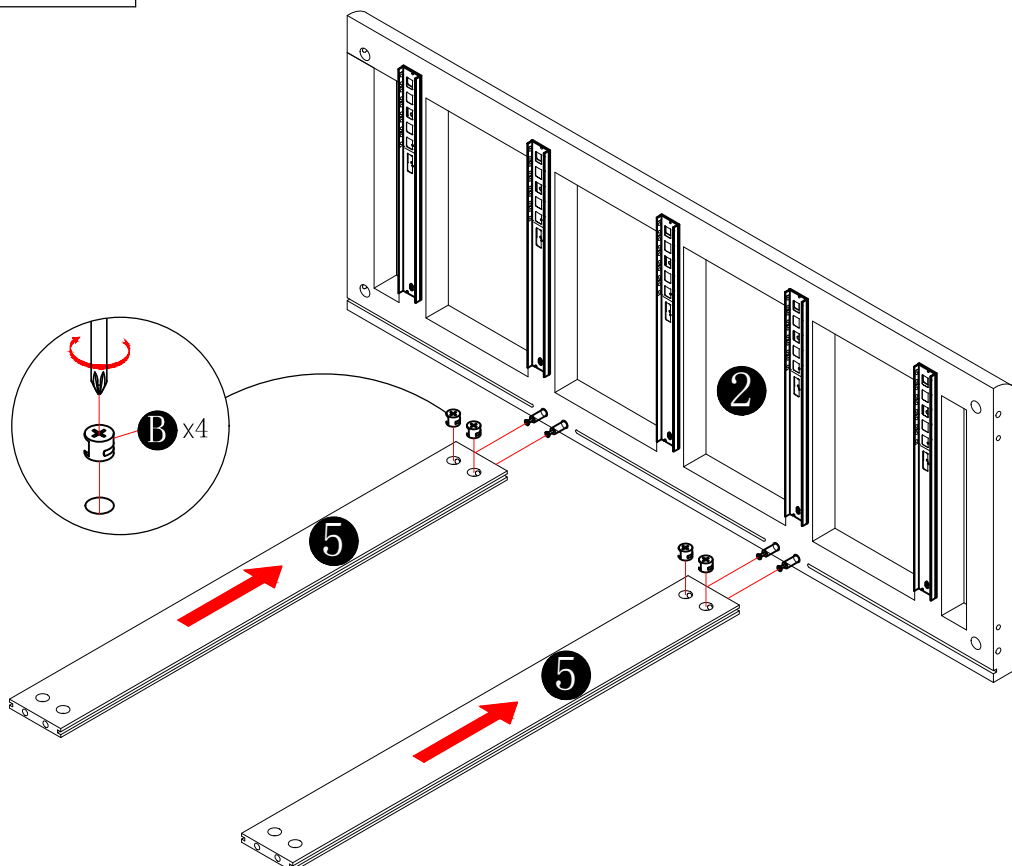
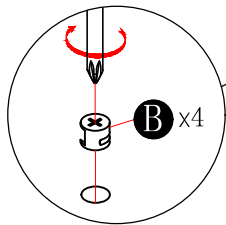


x2



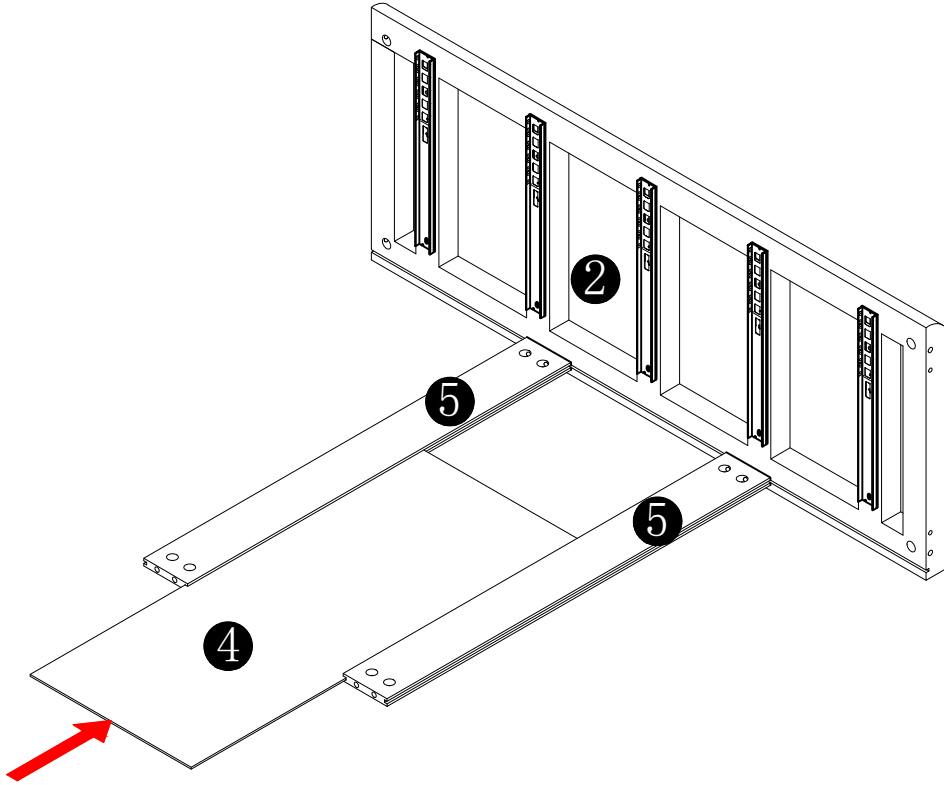
2

	B x 4PCS
---	----------



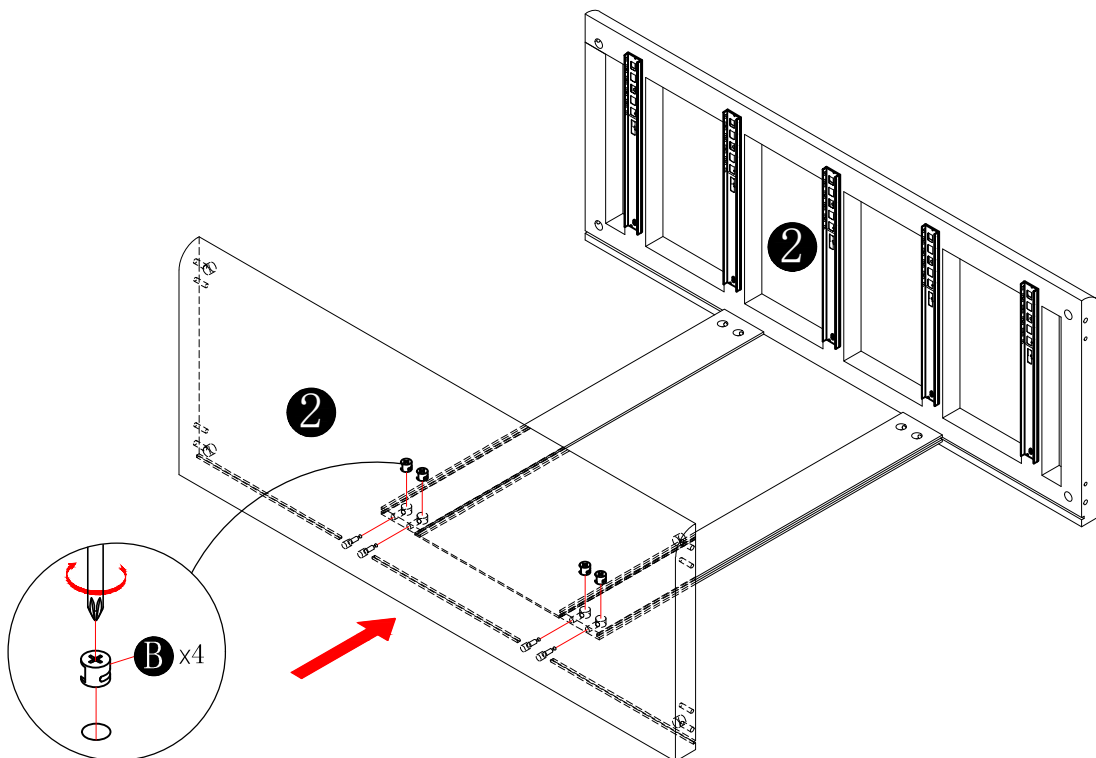
Steps

3



4

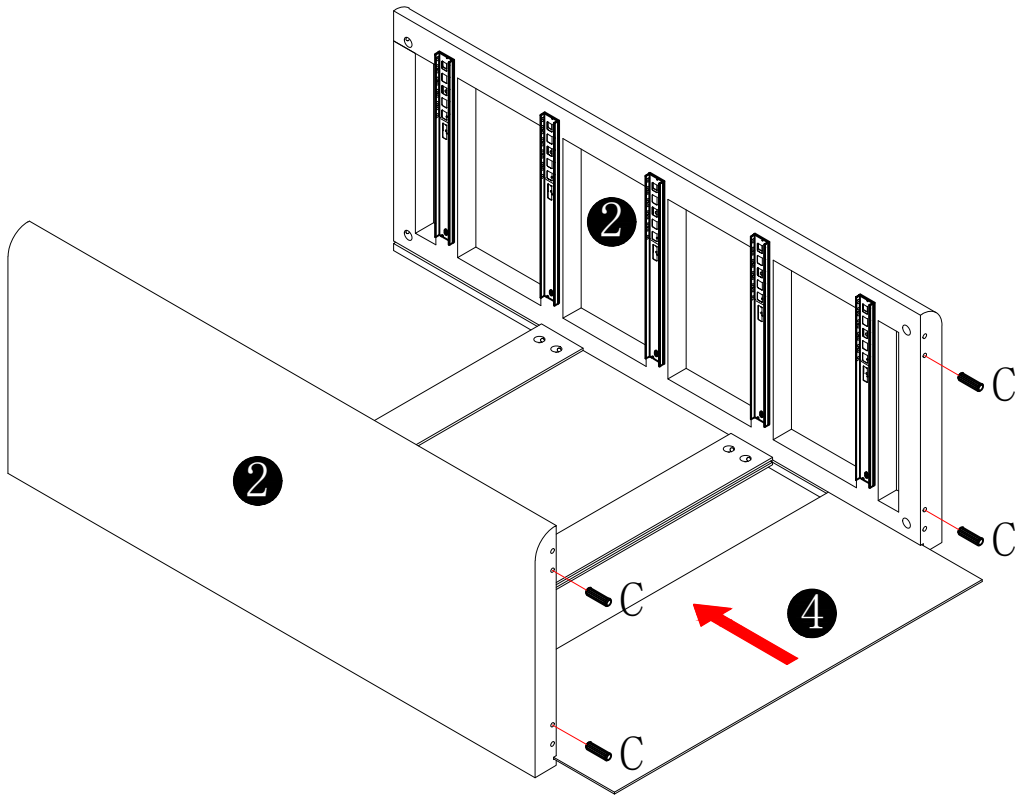
 B x 4PCS



Steps

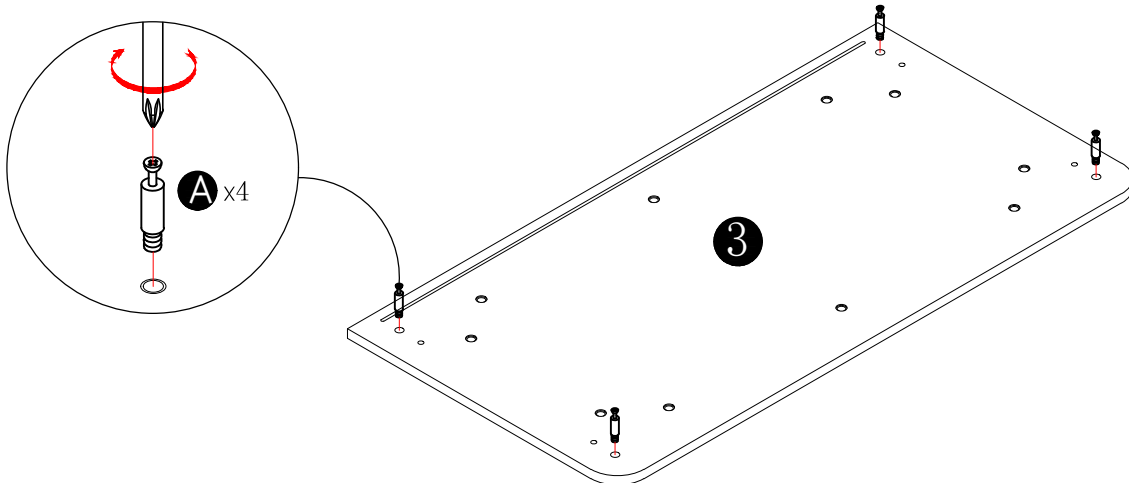
5

C x 4PCS



6

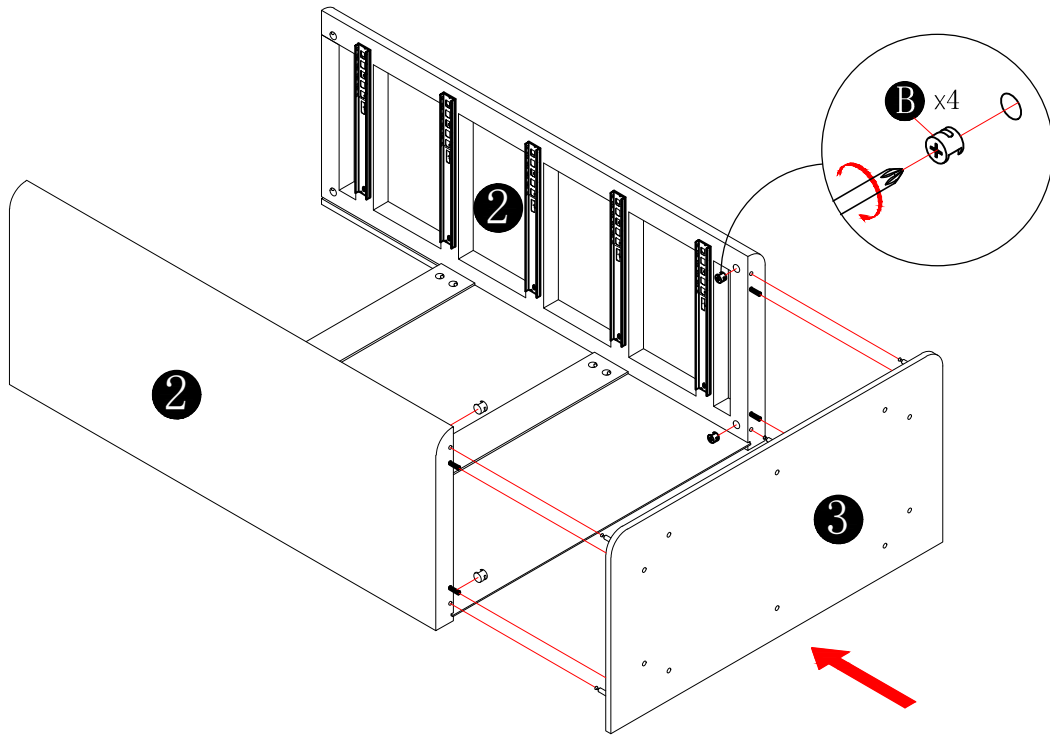
A x 4PCS



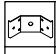

Steps

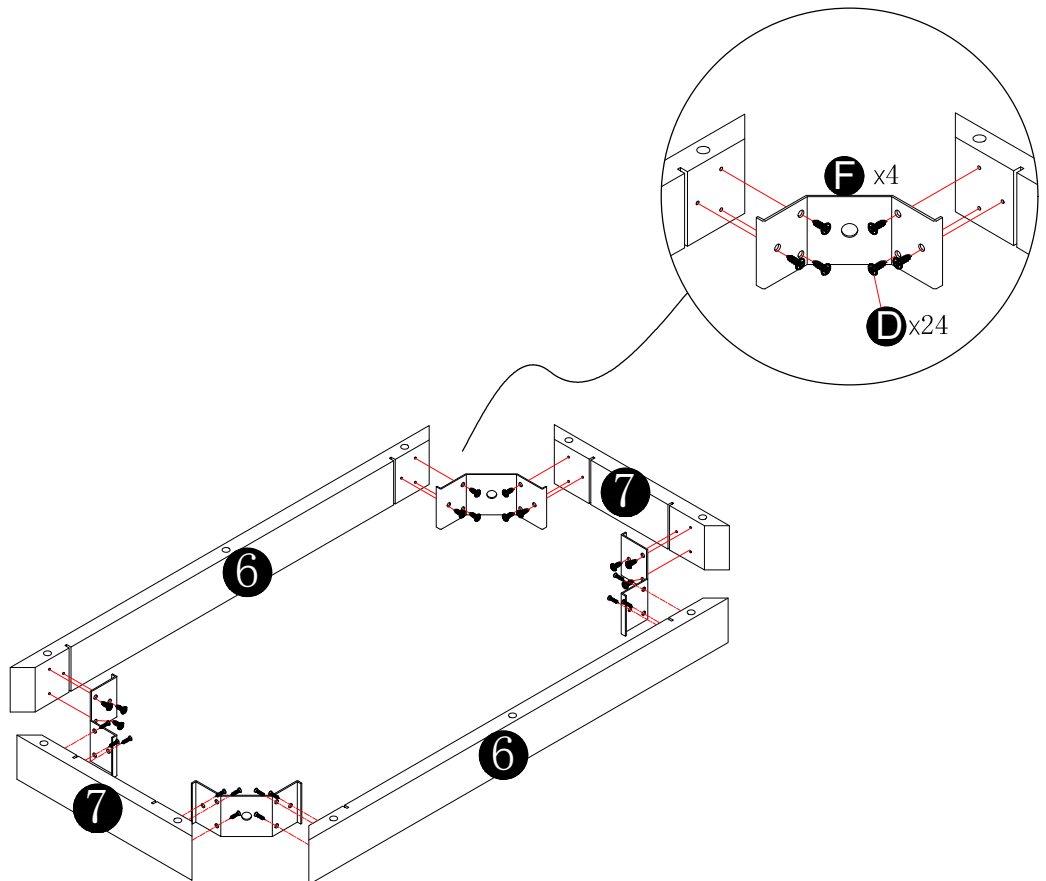
7

 B x 4PCS



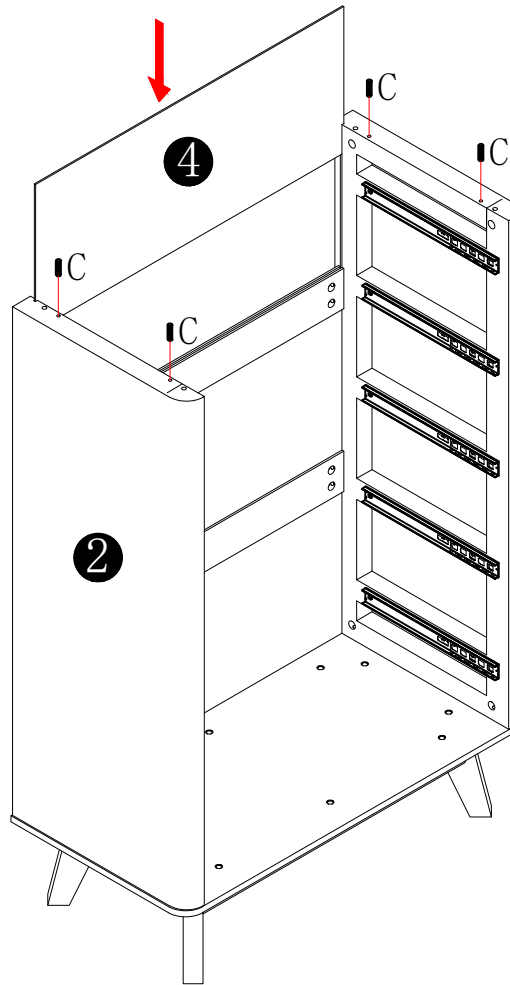
8


 F x 4PCS
 D x 24PCS

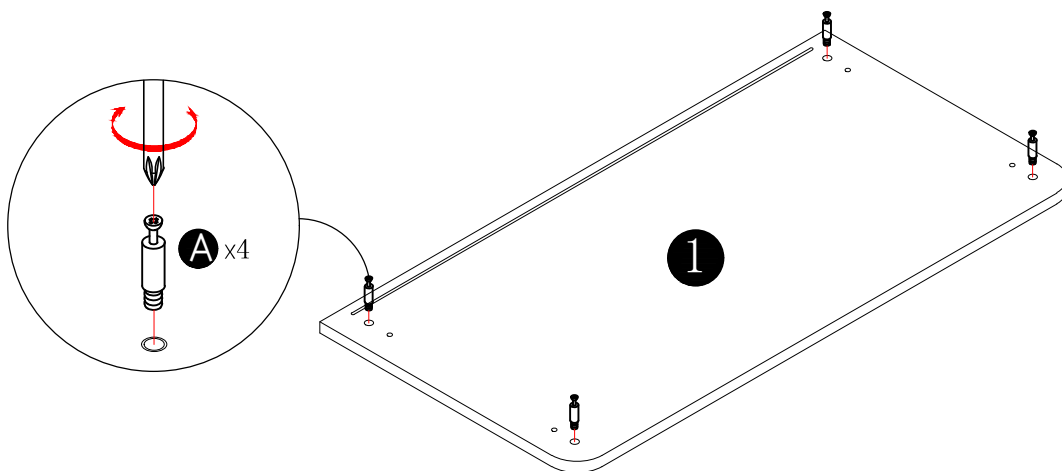


Steps


11  C x 4PCS

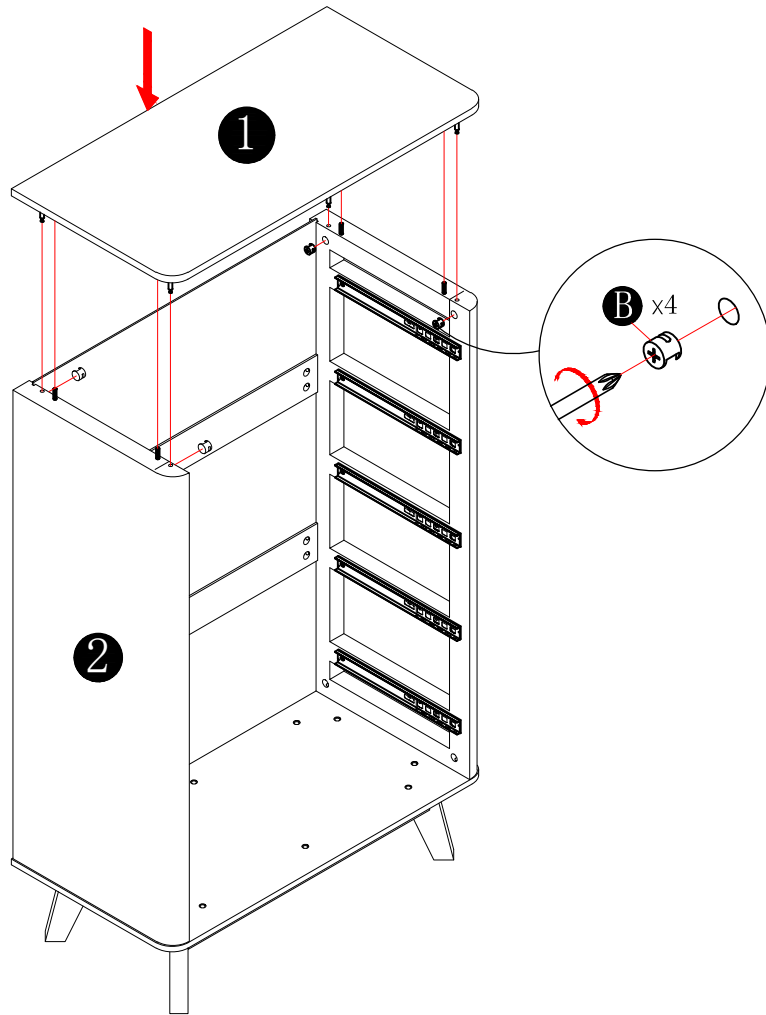



12  A x 4PCS

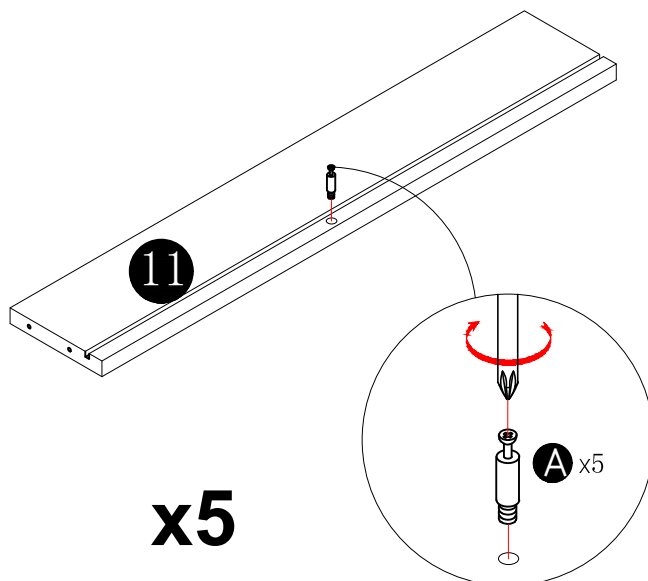


Steps

13  B x 4PCS



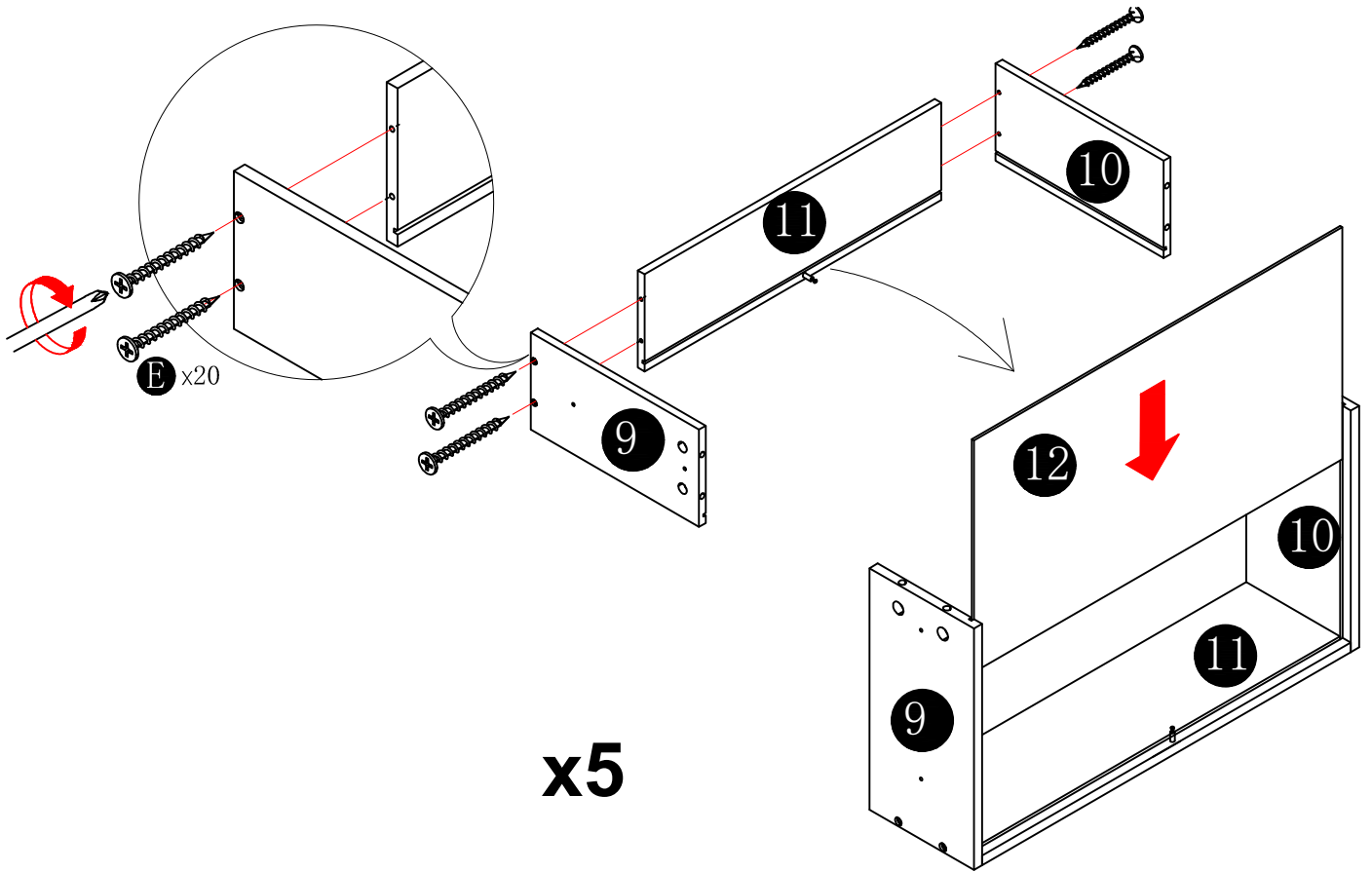
14  A x 5PCS



Steps

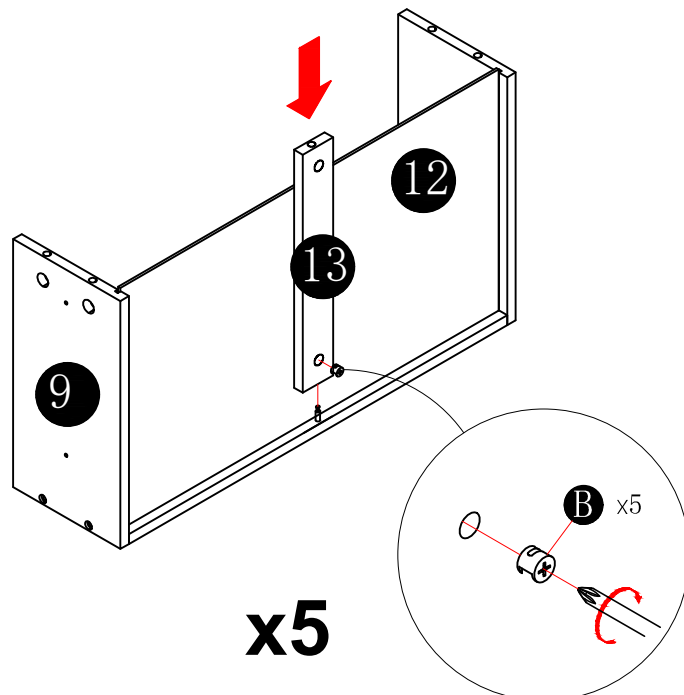
15

E x20PCS



16

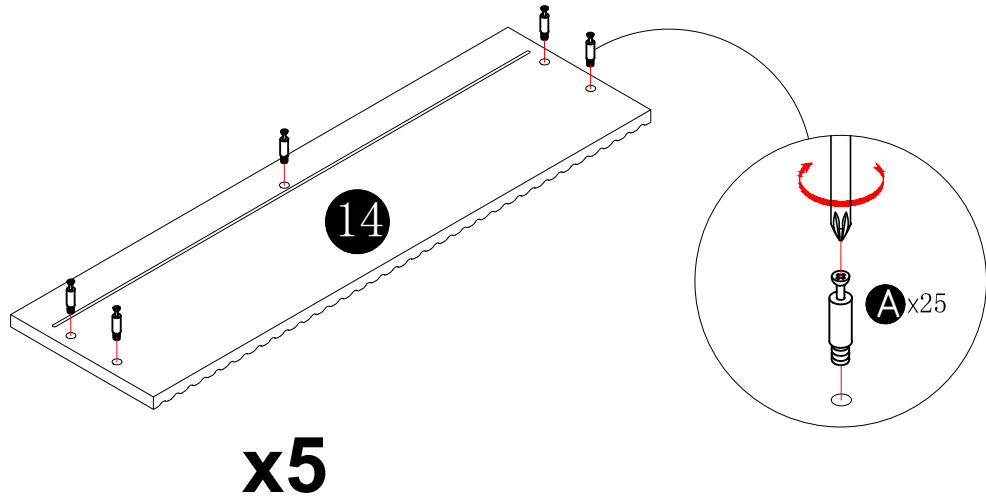
B x 5PCS



Steps

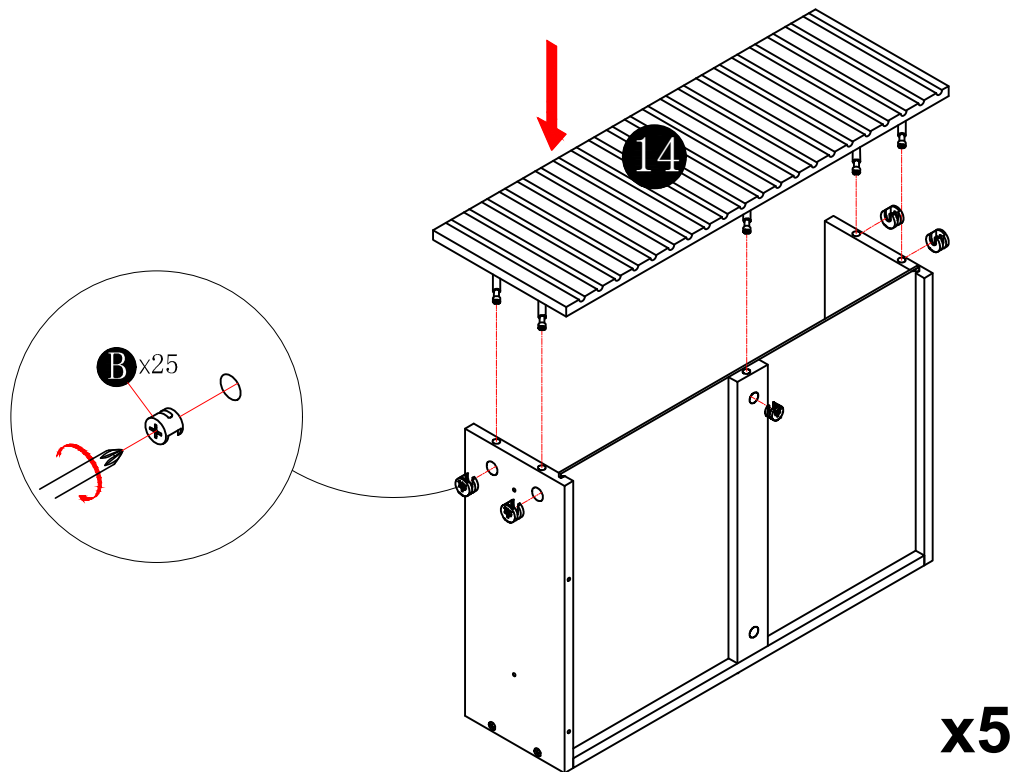
17

A x25PCS





18

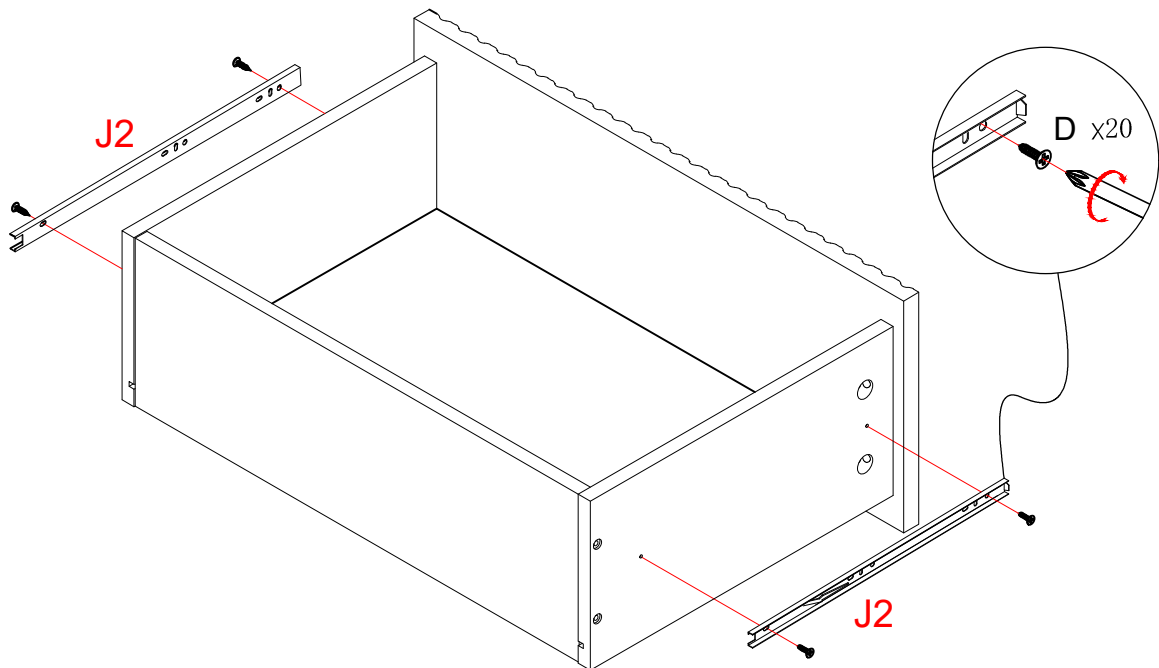
B x25PCS



Steps

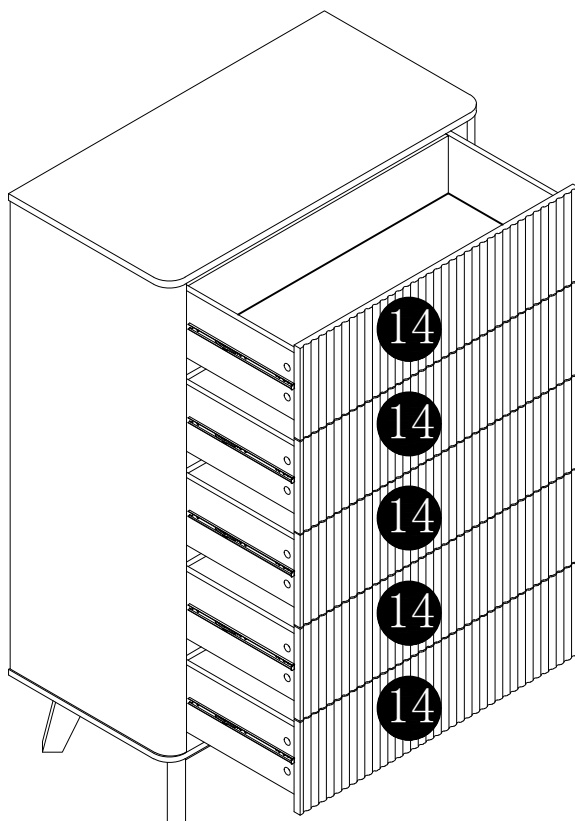
19

	D x 20PCS
	J2 x 10PCS



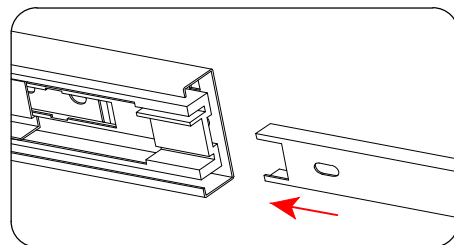
x5

20




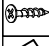
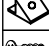
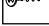
Attention: Align the slide runners on the drawer with the unit and push it carefully inside until it stops.

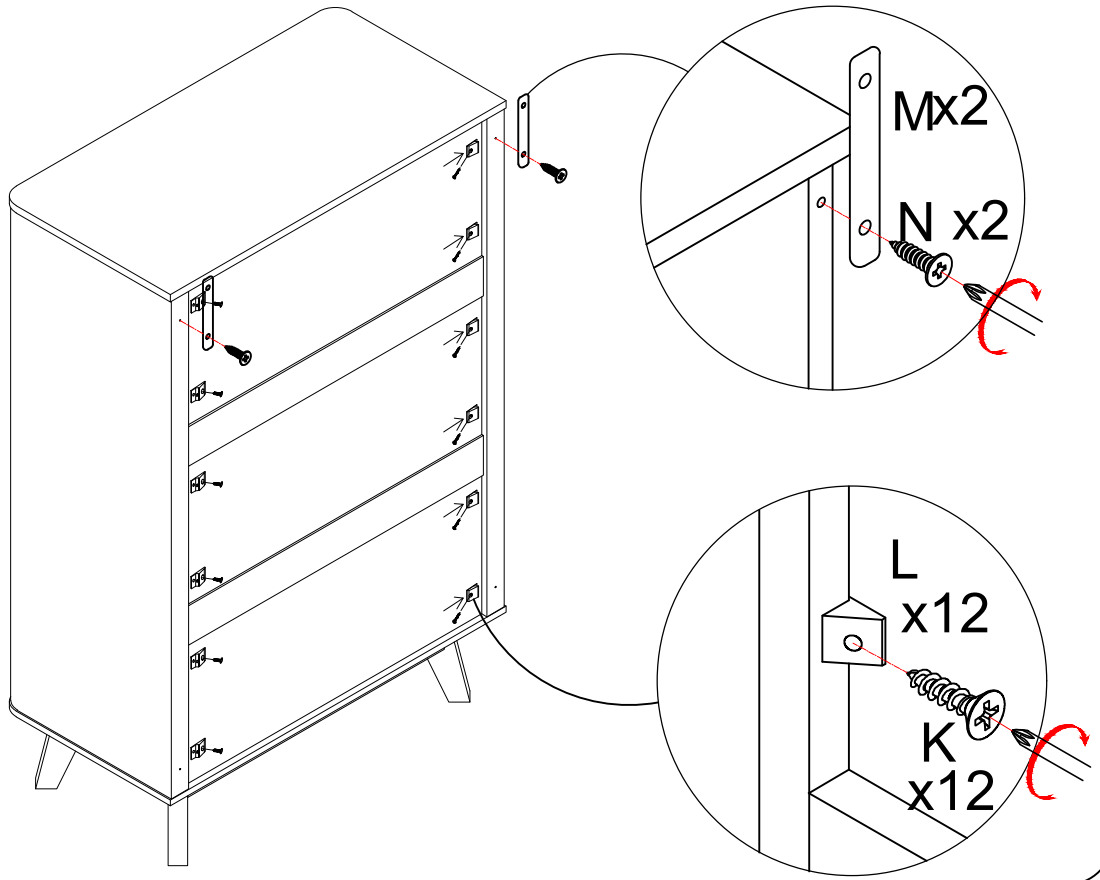
★ If the drawer does not go in smoothly please take it out and repeat the step.





Steps

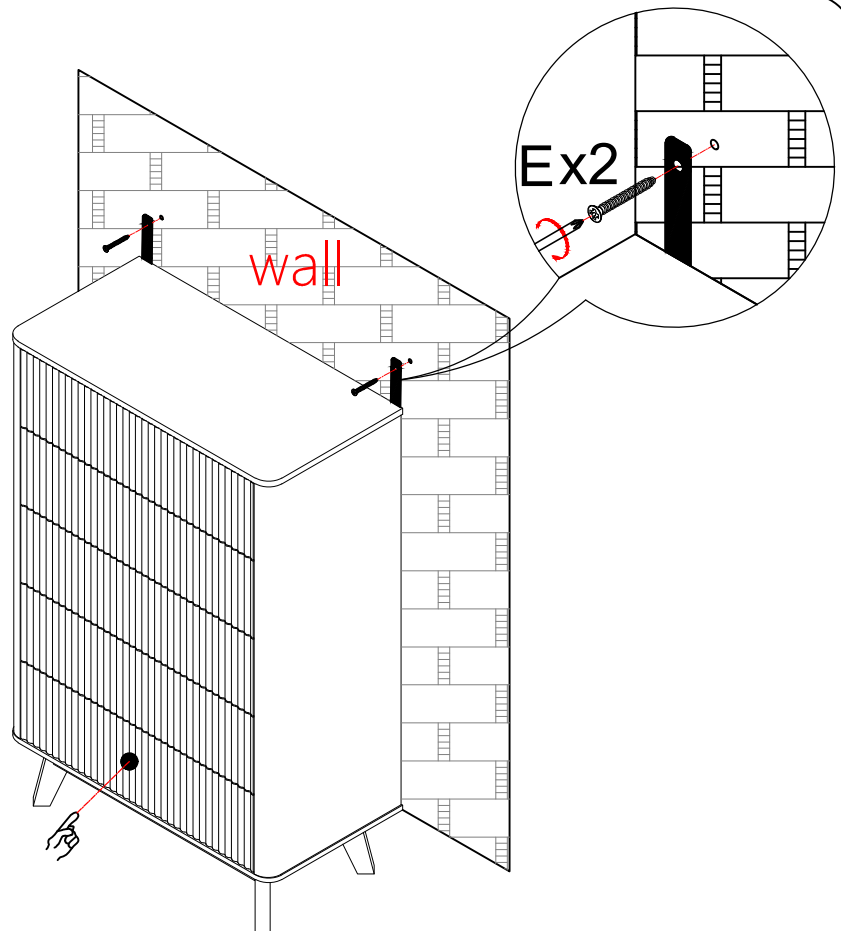
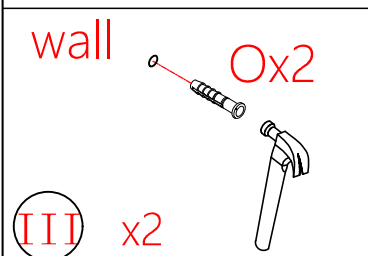
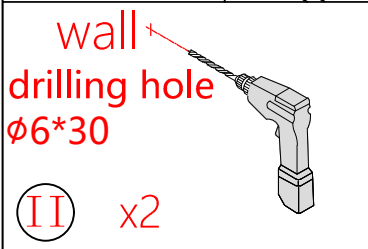
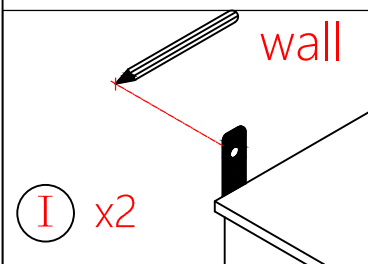
21

	M x 2PCS
	N x 2PCS
	L x 12PCS
	K x 12PCS



22

	O x 2PCS
	E x 2PCS



Press the middle of the drawer to open or close it.