

# ASSEMBLING INSTRUCTION

1 X1PC



2 X2PCS



3 X2PCS



A X16PCS



B X6PCS



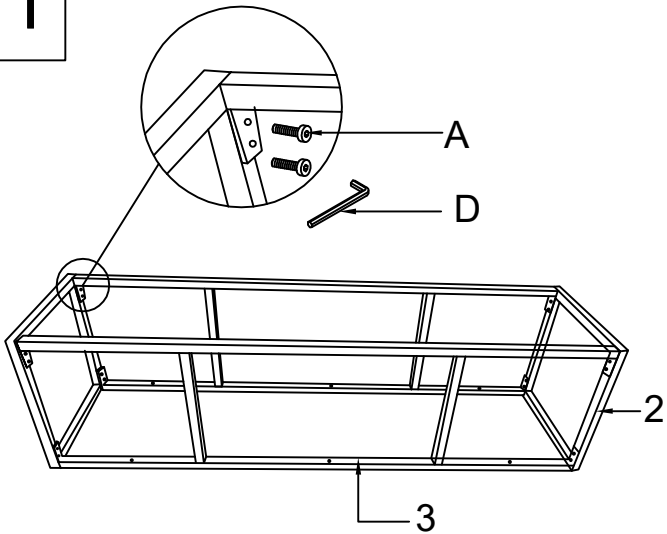
C X6PCS



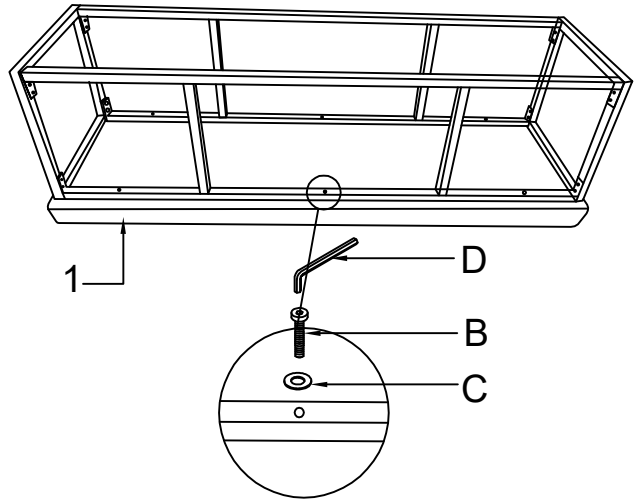
D X1PC



1



2



3

