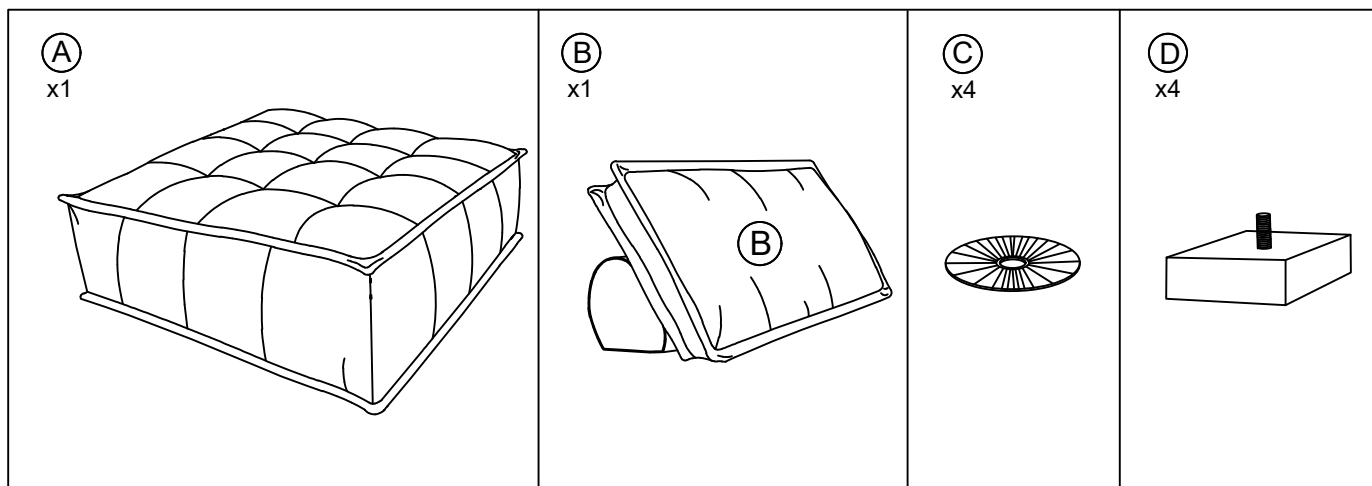
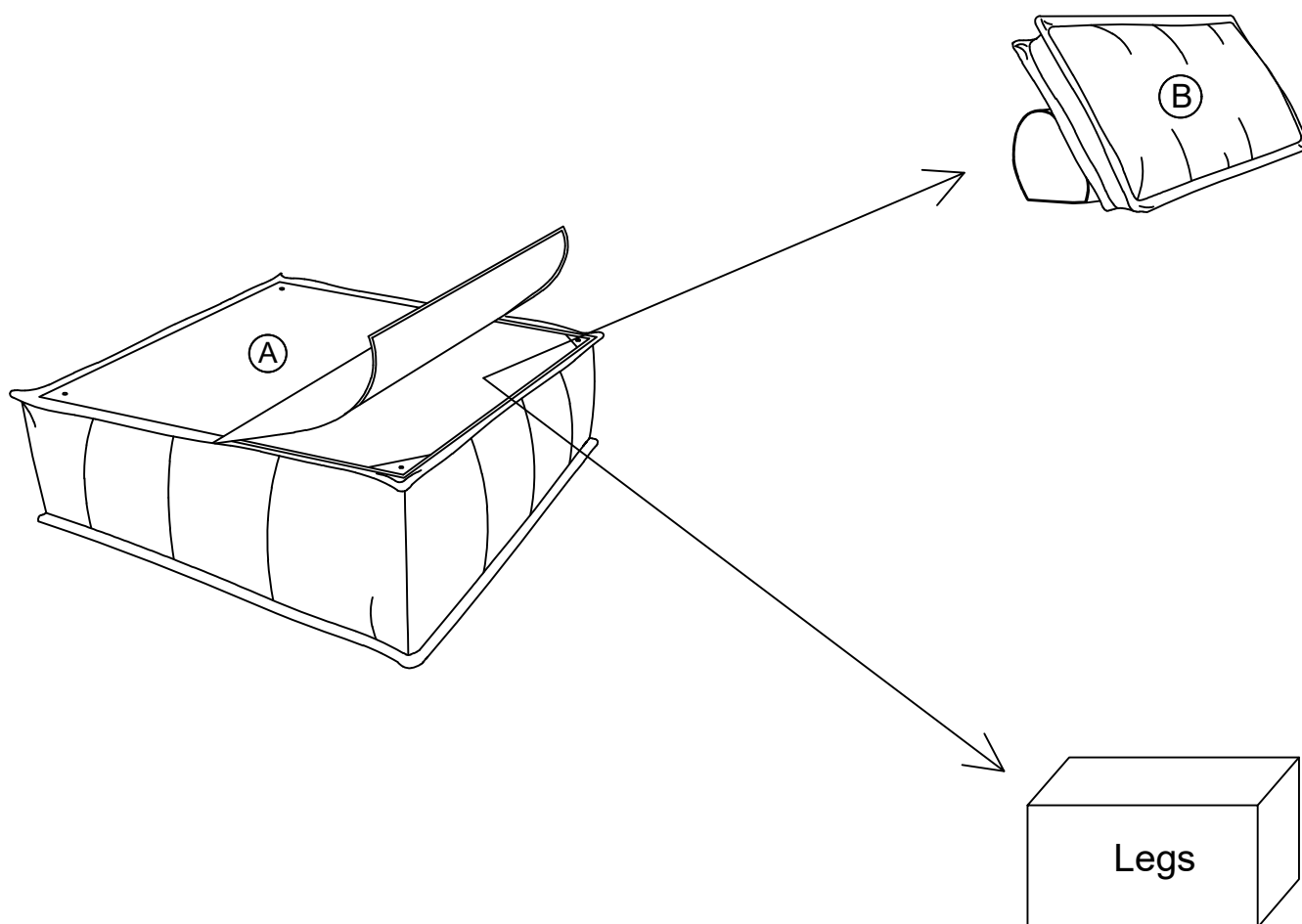


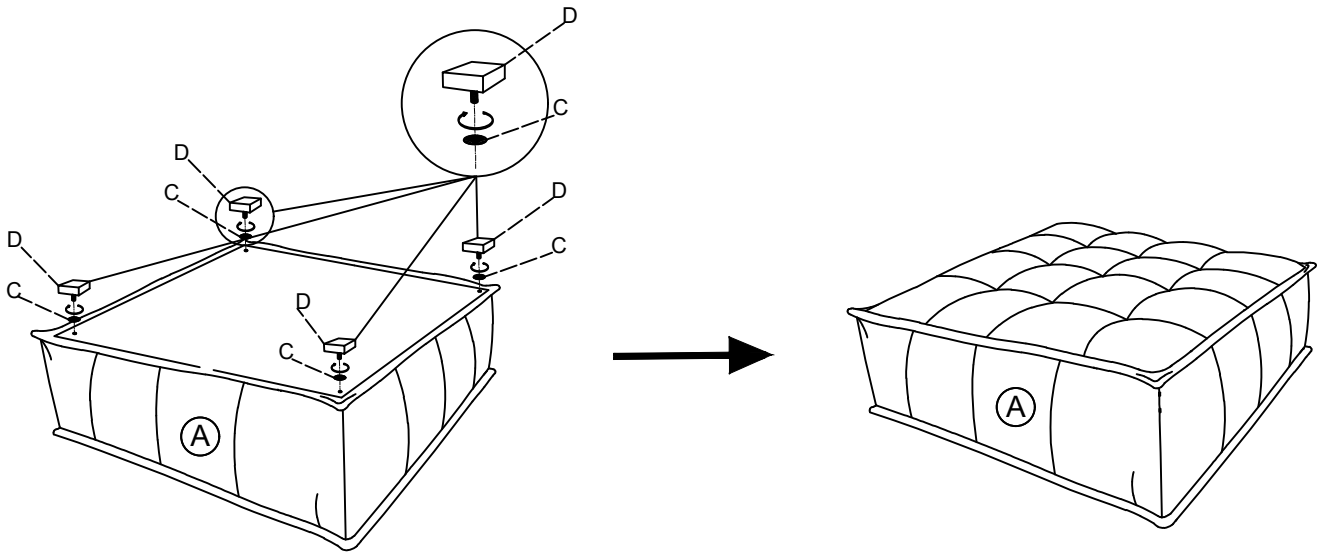
# ASSEMBLY INTRUCTION



## STEP1



STEP2



STEP3

