

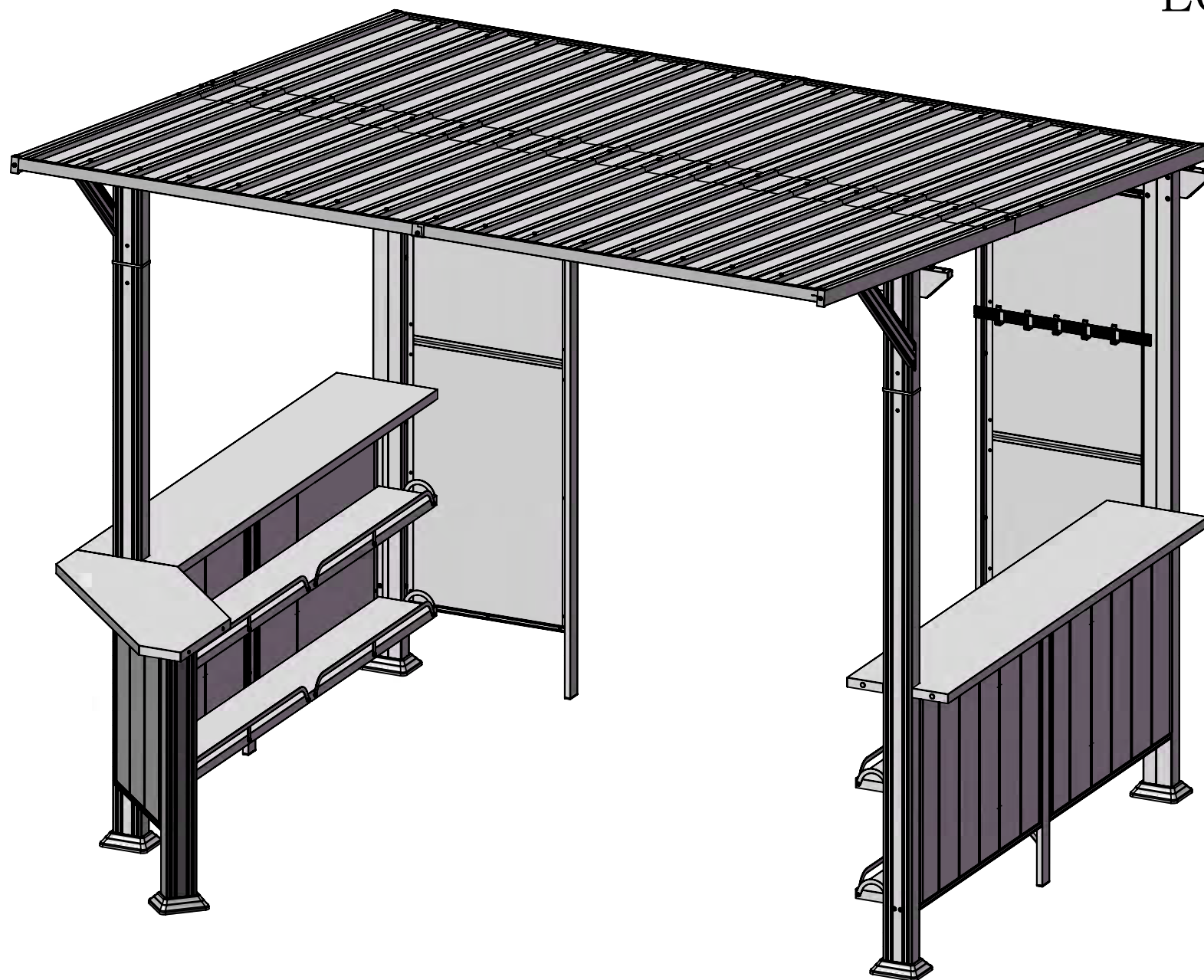
9'x10'

SKU: LGCF1732

METAL GRILL GAZEBO

Assembly Manual

LGCF1732



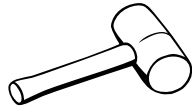
Pre-assembly

TOOLS THAT MAY BE REQUIRED (Not included in boxes)

*NOTE: Tools / equipment are not shown to actual size and scale.



LEVEL



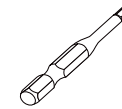
RUBBER Mallet



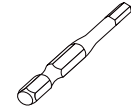
PHILLIPS SCREW



DRILL



ALLEN KEY



ALLEN KEY

EQUIPMENT REQUIRED (Not included in boxes)

*NOTE: Equipment are not shown to actual size and scale.



SAFETY HAT



GLOVES



SAFETY GOGGLES



STEPLADDER

Matters needing attention



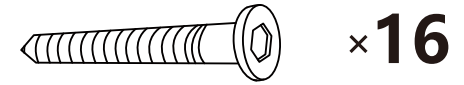
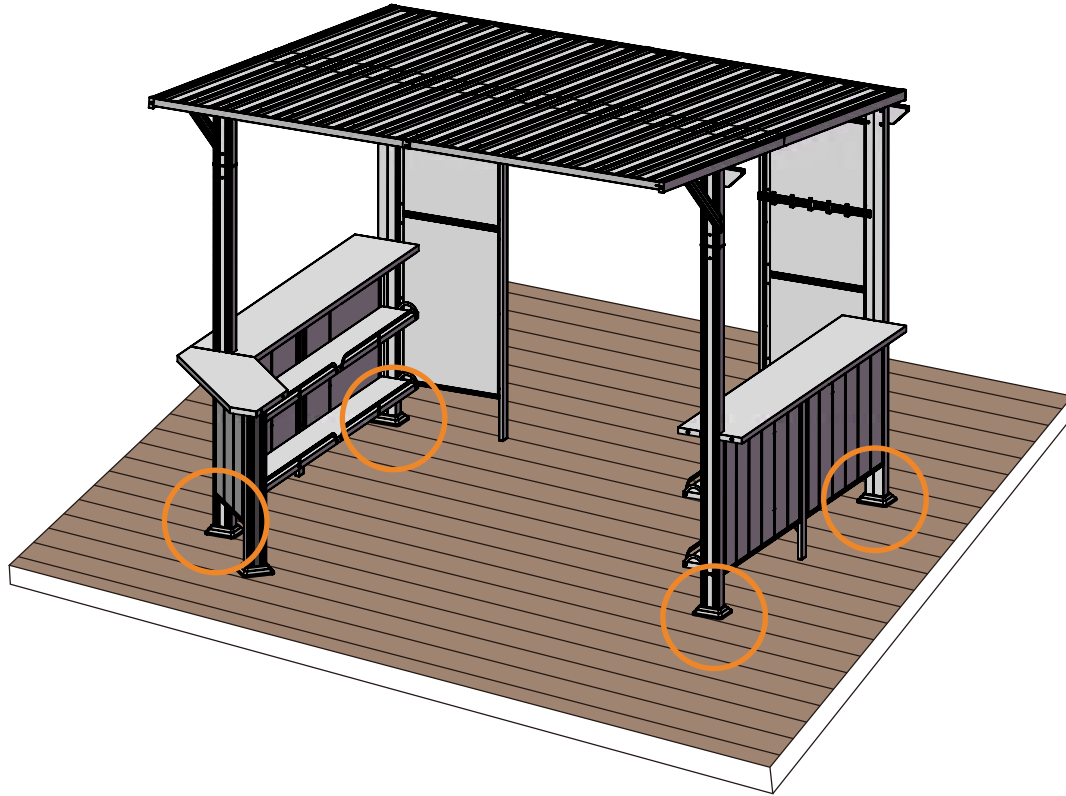
1. Two or more people are required for assembly.



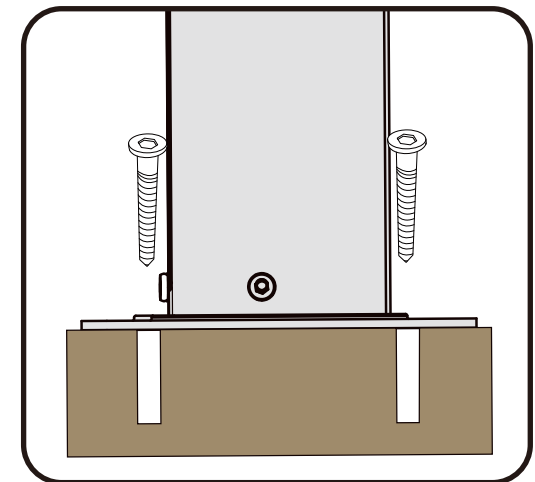
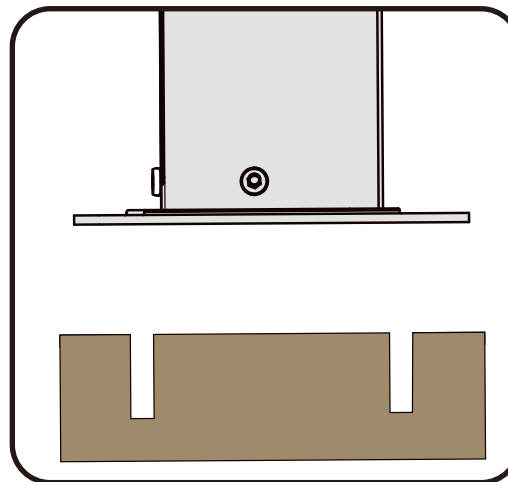
2. Do not fully tighten screws prior to complete assembly.

A NOTICE IMPORTANT: A gazebo may entail purchasing a municipal permit or be subject to specific building codes. It is the consumer's responsibility to inform themselves of any restrictions.

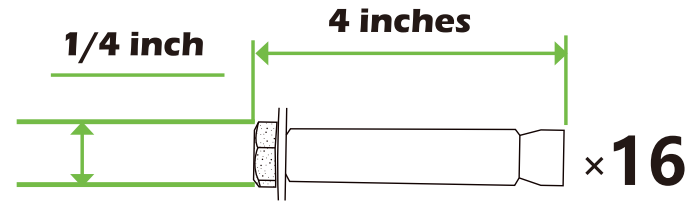
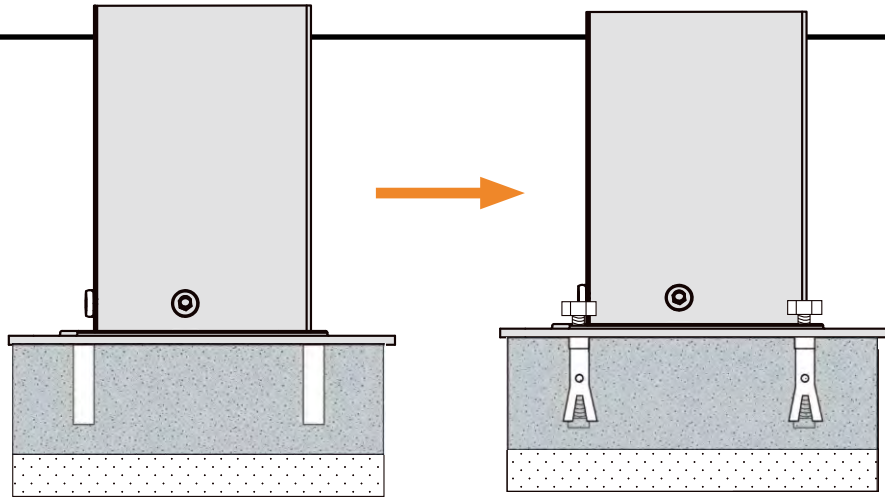
1



If the deck is hard wood and the depth of it is over 3 inch, you can use **5/16 in. x4 in. Structural Wood Screw** to mount the pergola.

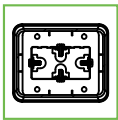


2

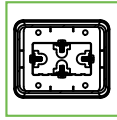
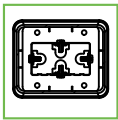


If the ground is concreted and the depth of it is over 3 inch, you can use 1/4 inch expansion bolts to mount the pergola

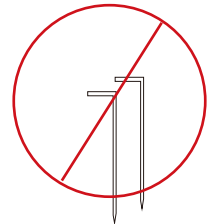
3

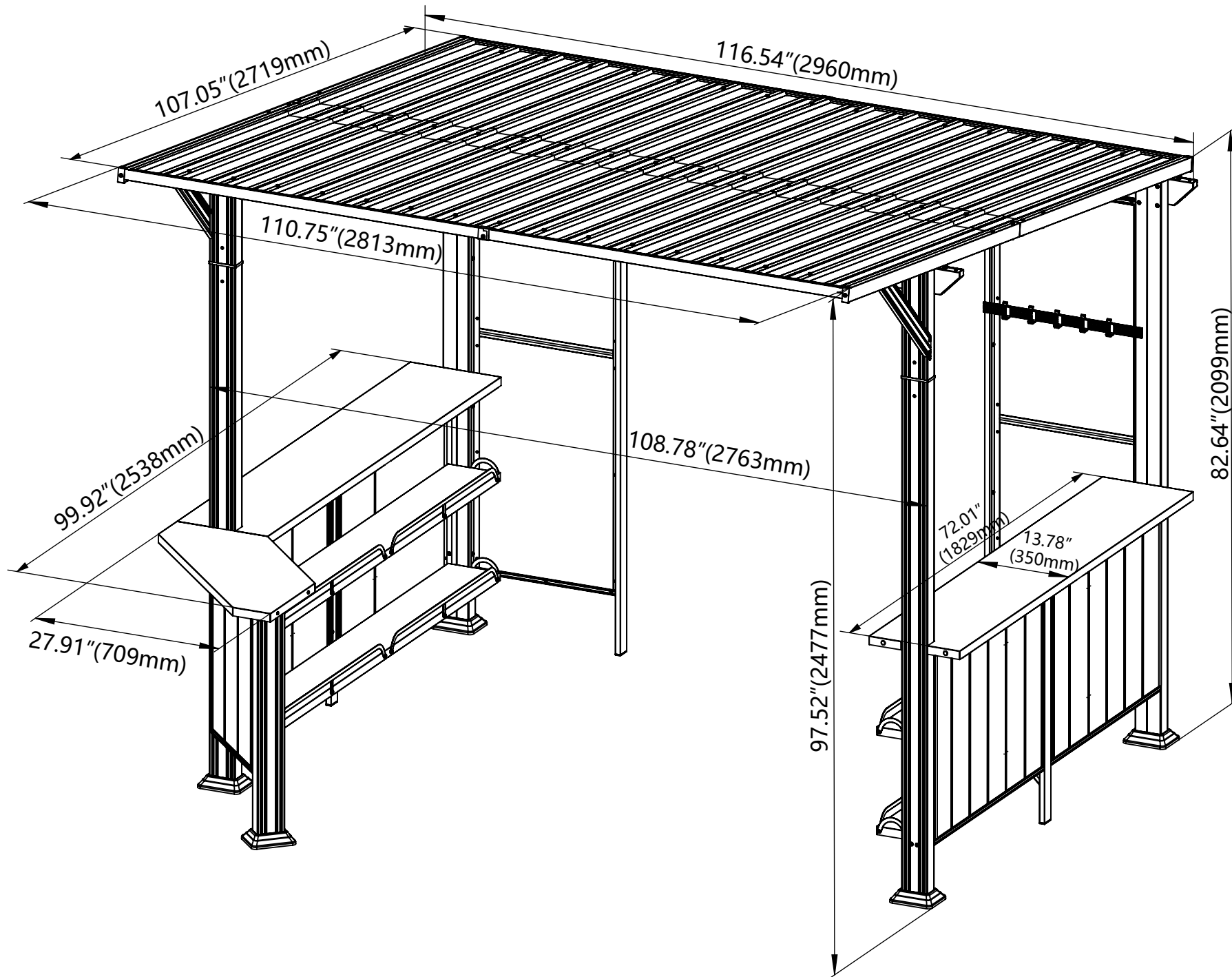


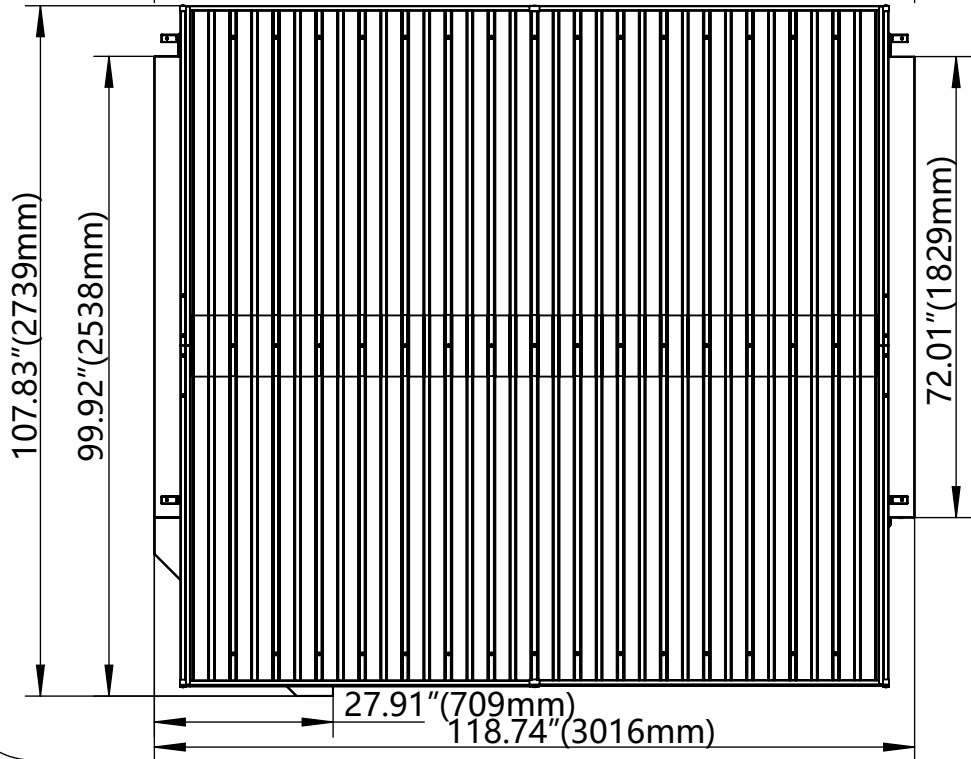
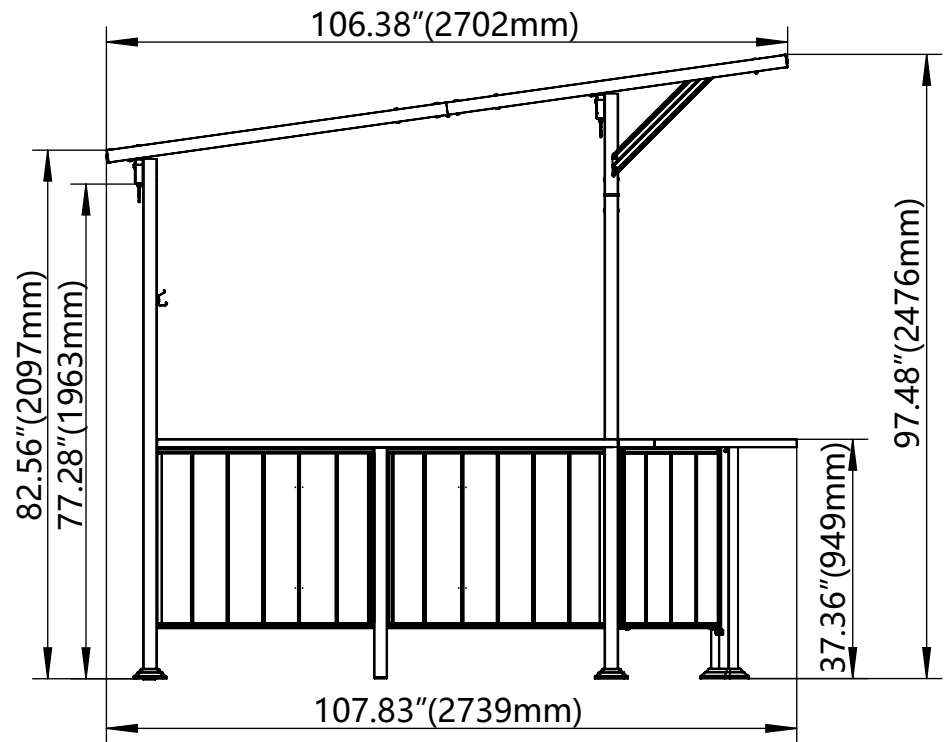
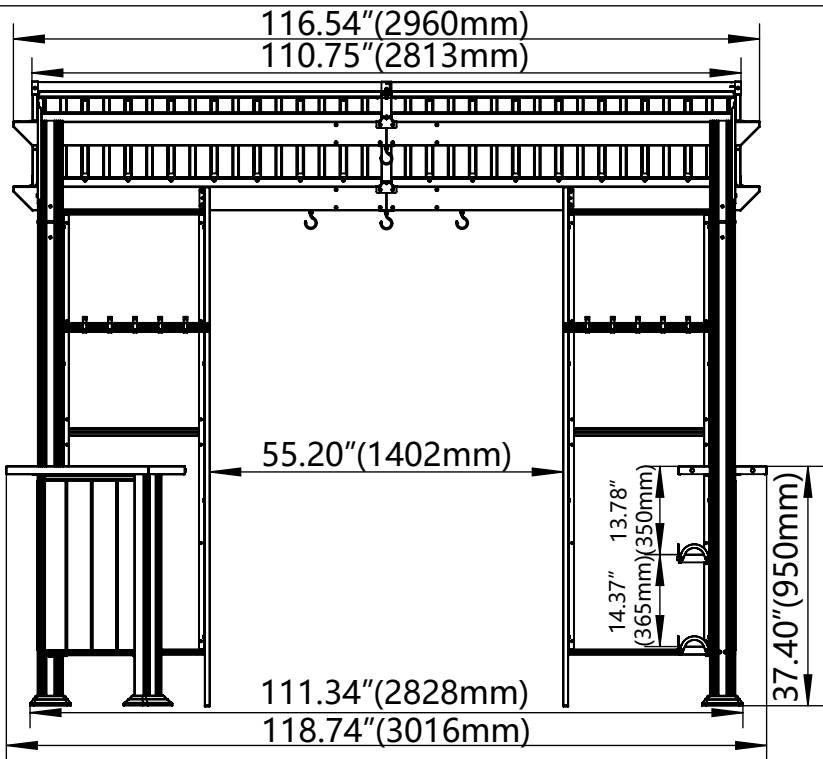
Or you can make a concrete footing for gazebo, **12 x 12 inches** is recommended. use expansion bolts to mount the gazebo like (2) shows.

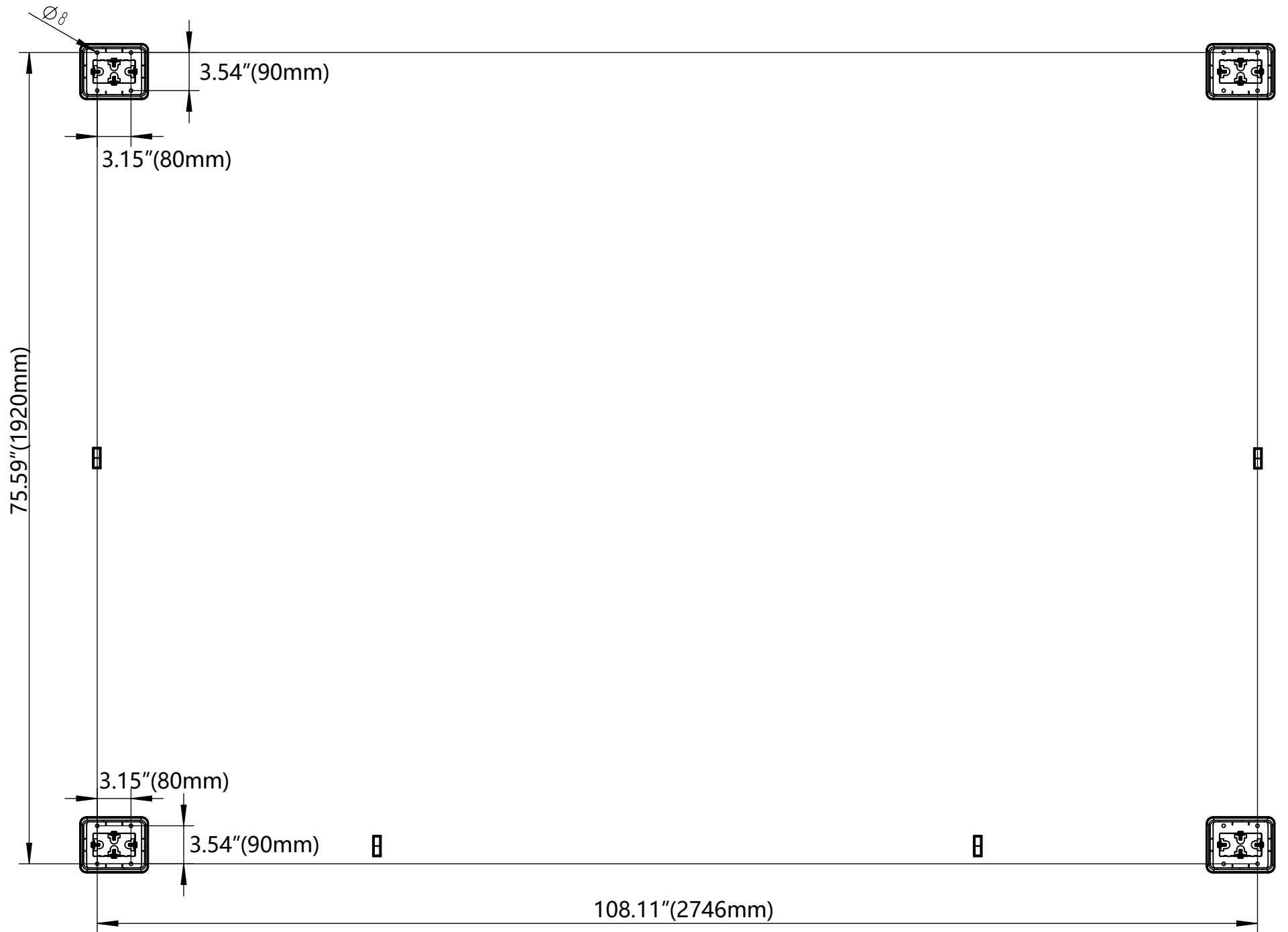


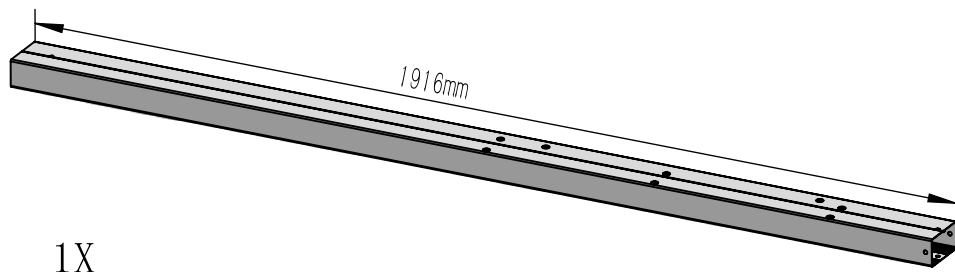
IMPORTANT:
Anchor is not recommended



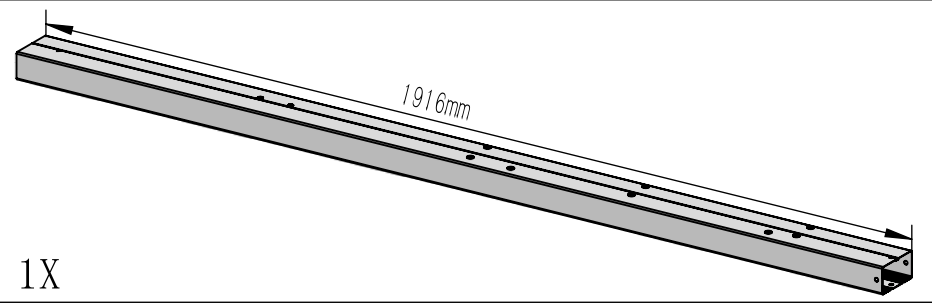




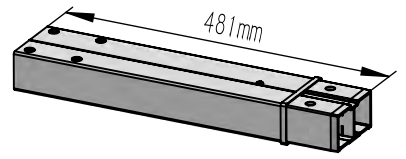




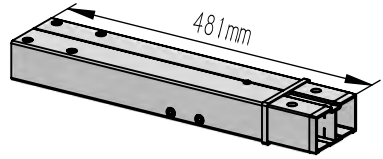
A1 1X



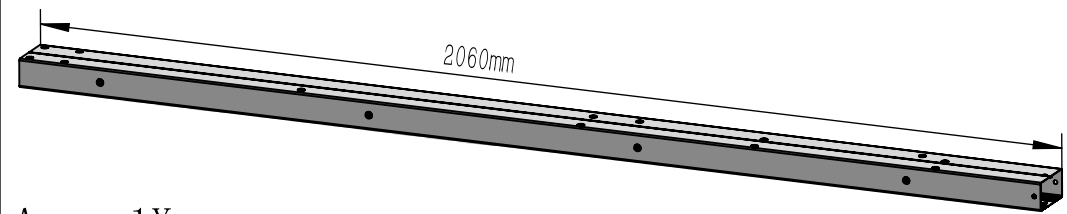
A2 1X



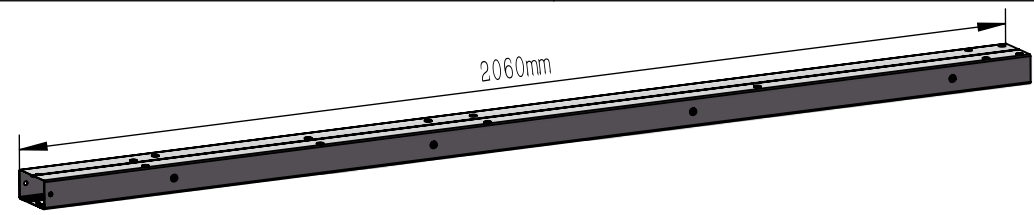
A3 1X



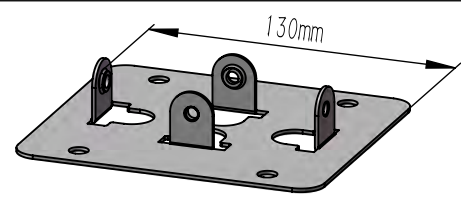
A4 1X



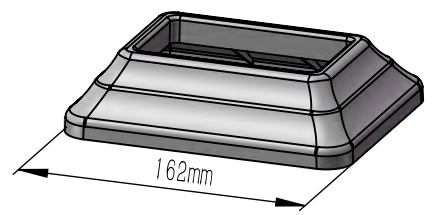
A5 1X



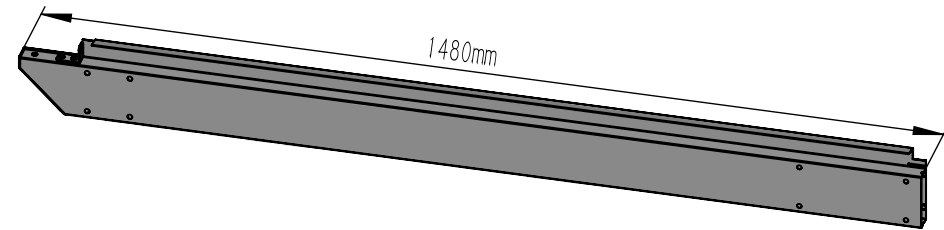
A6 1X



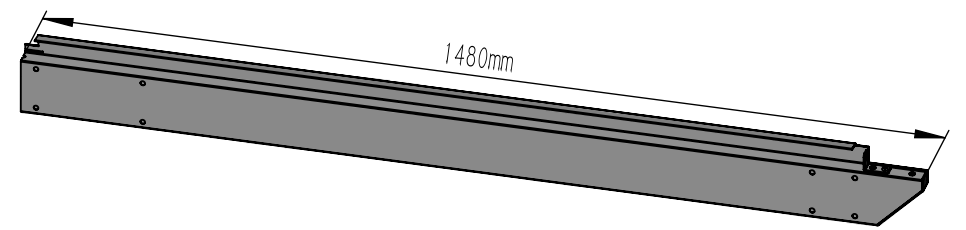
A7 5X



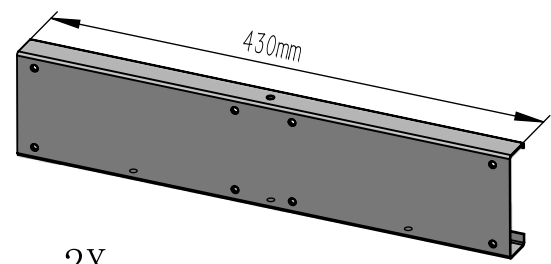
A8 5X



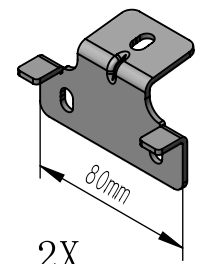
B1 1X



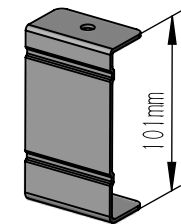
B2 1X



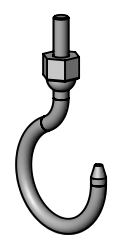
B3 2X



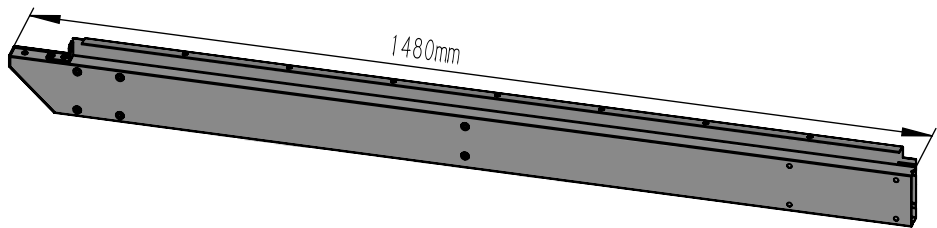
B4 2X



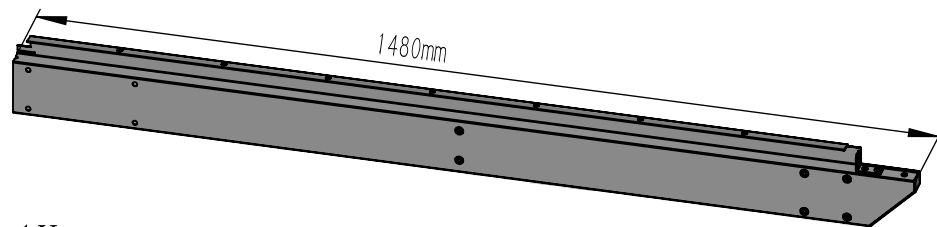
B5 2X



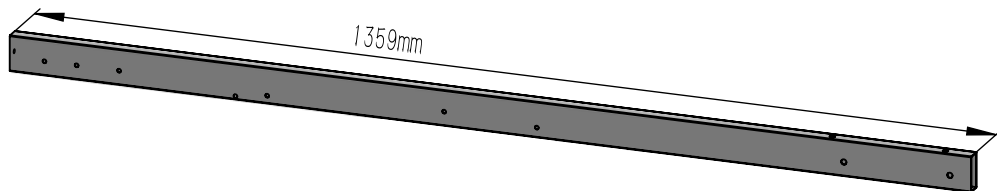
B6 4X



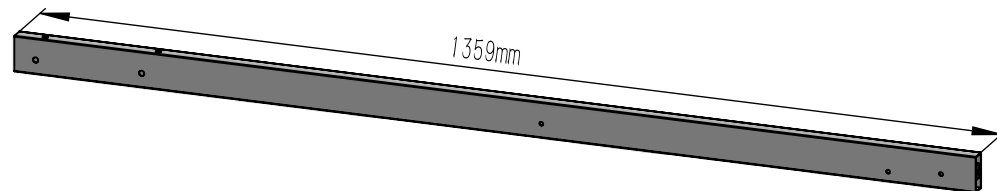
C1 1X



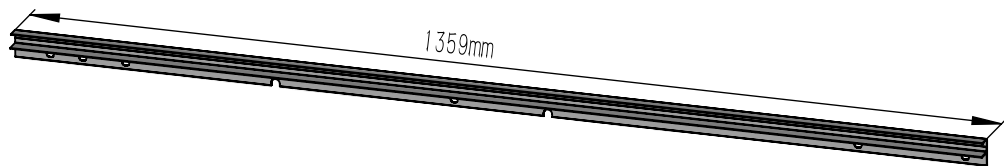
C2 1X



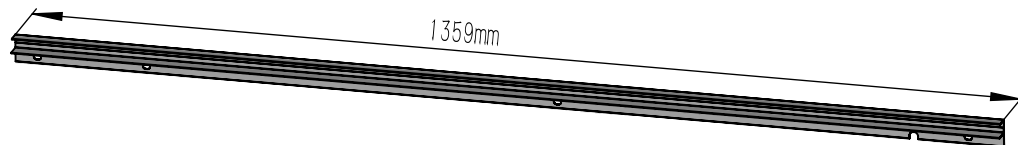
D1 1X



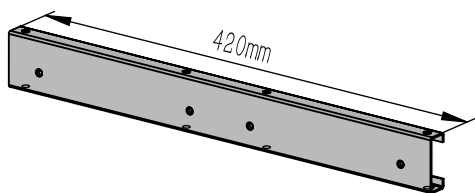
D2 1X



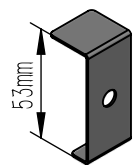
D3 1X



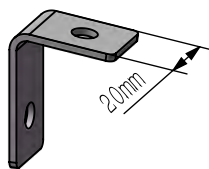
D4 1X



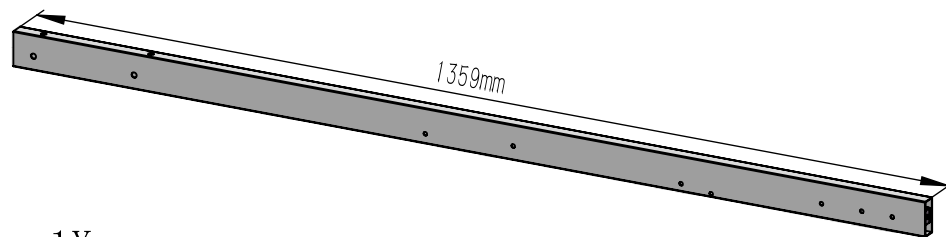
D5 2X



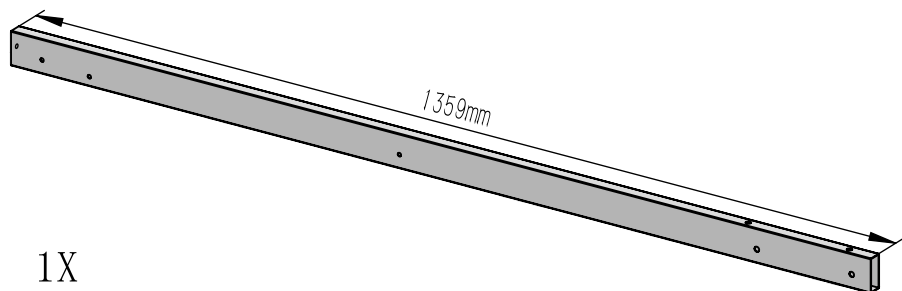
D6 4X



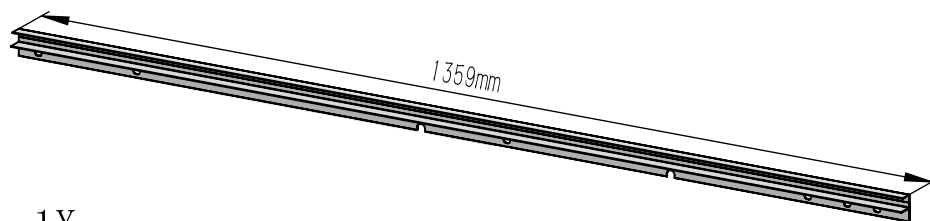
D7 4X



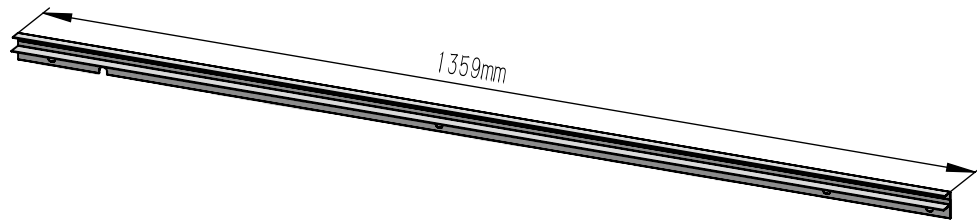
E1 1X



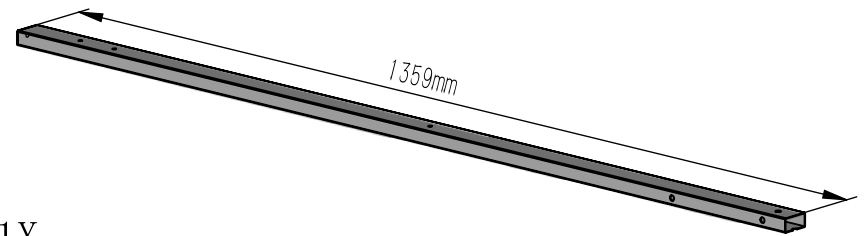
E2 1X



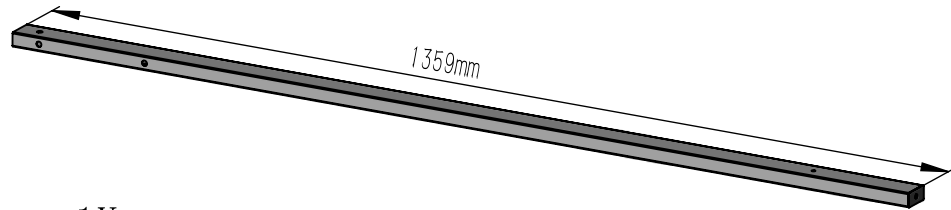
E3 1X



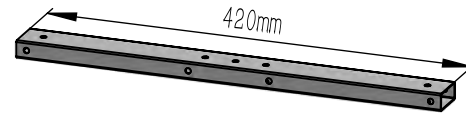
E4 1X



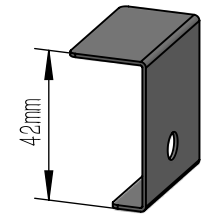
F1 1X



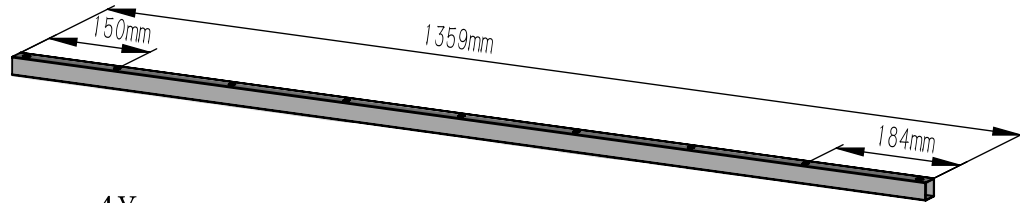
F2 1X



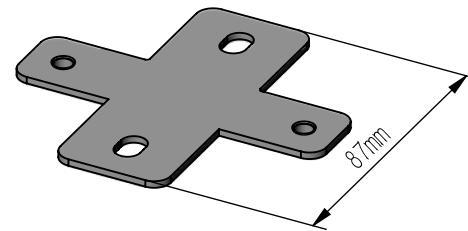
F3 1X



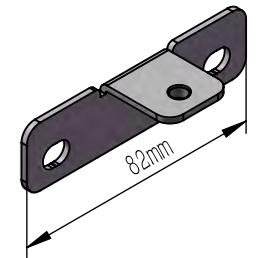
F4 2X



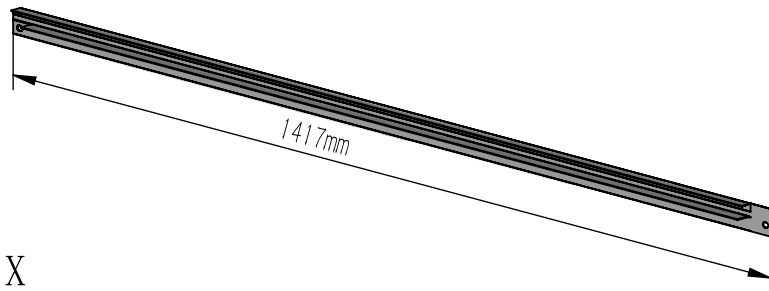
G1 4X



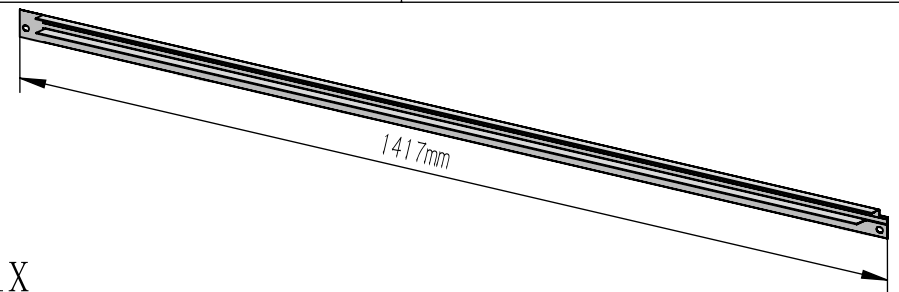
G2 2X



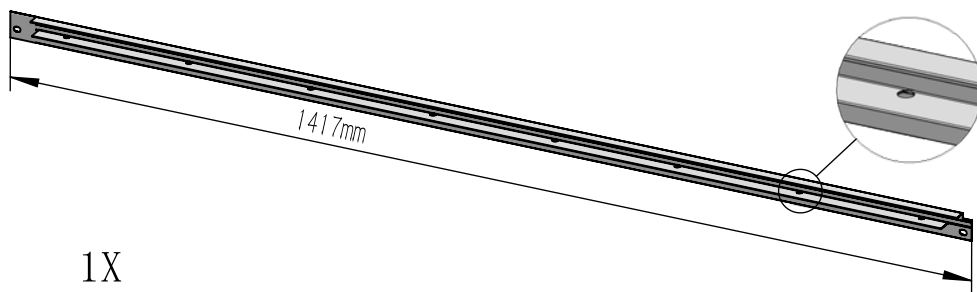
G3 4X



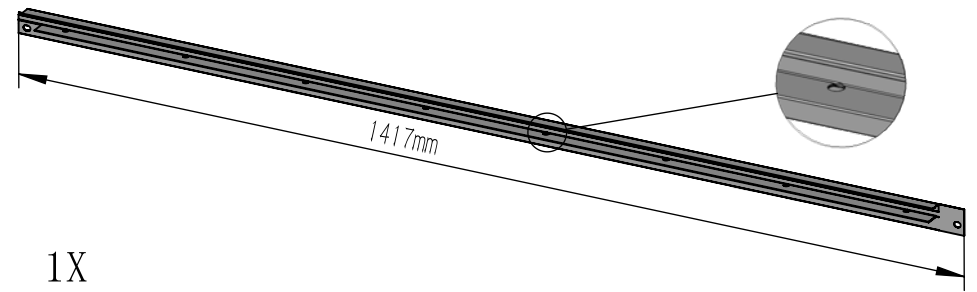
H1 1X



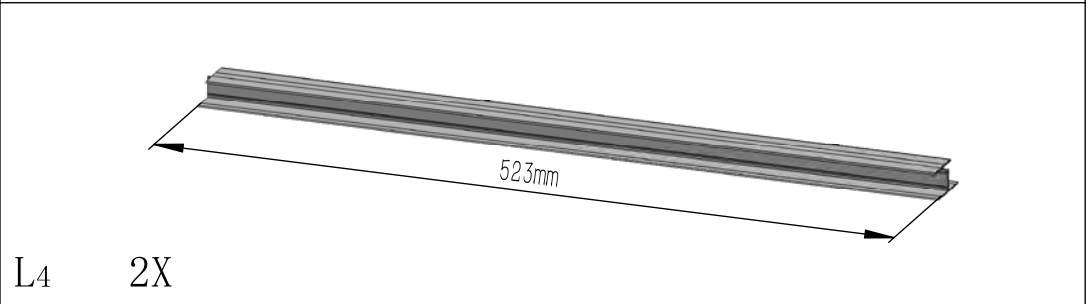
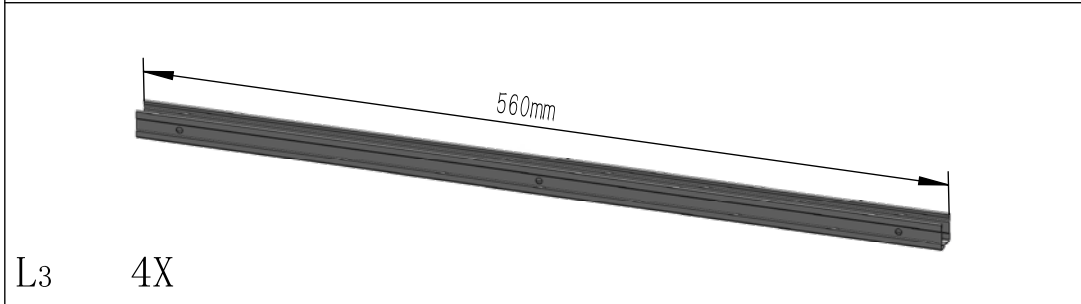
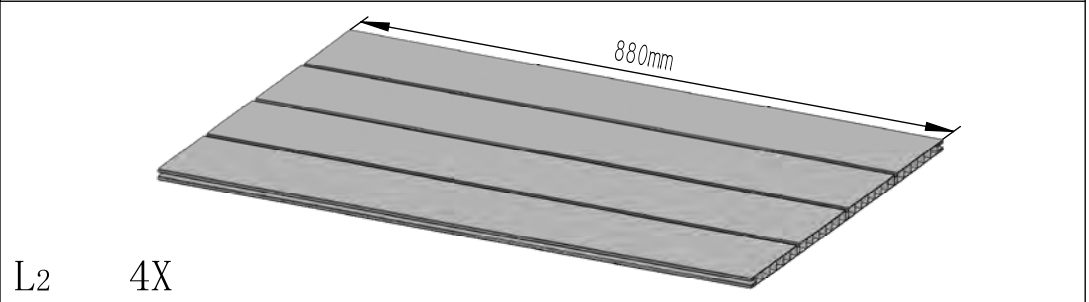
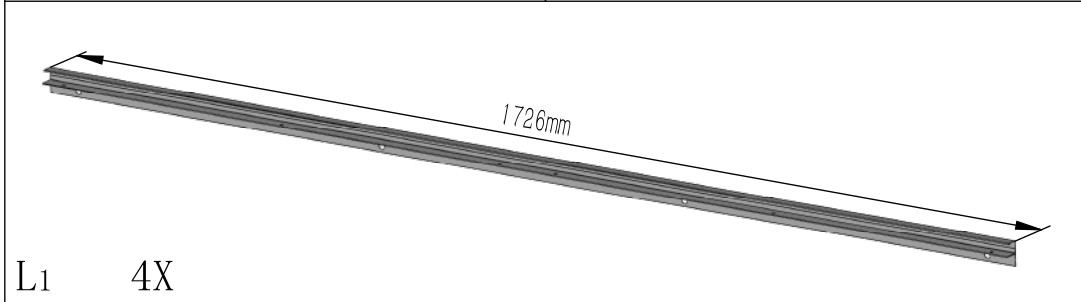
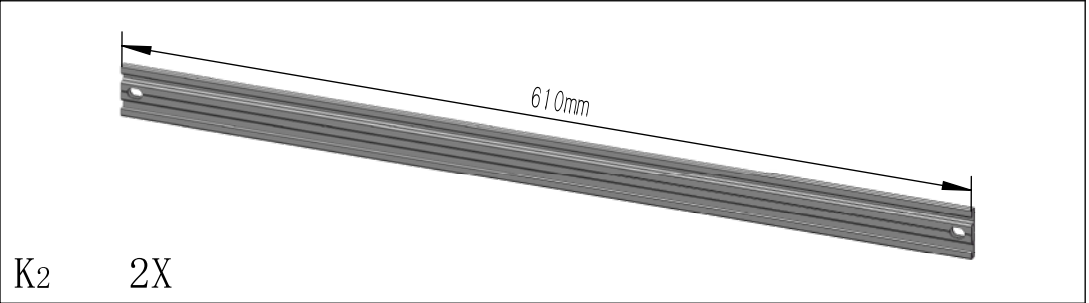
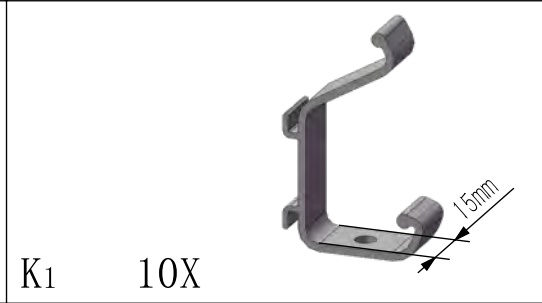
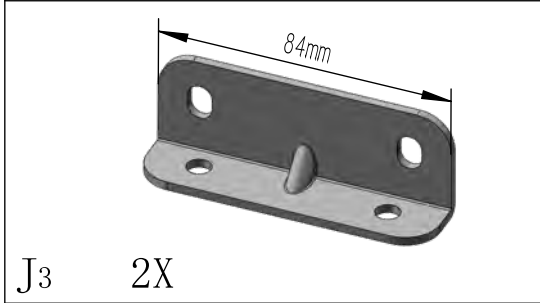
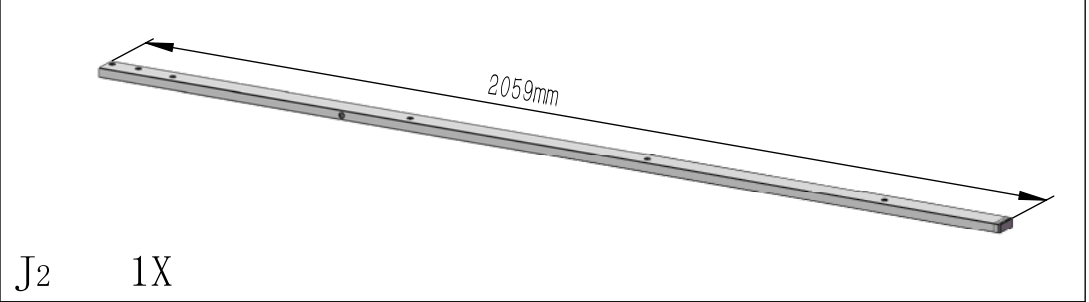
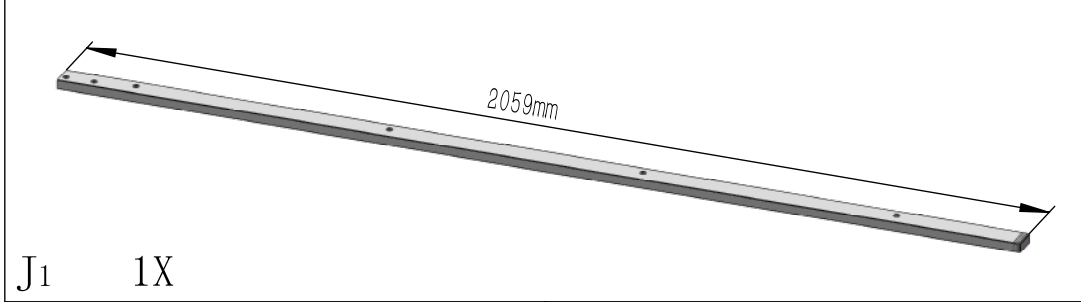
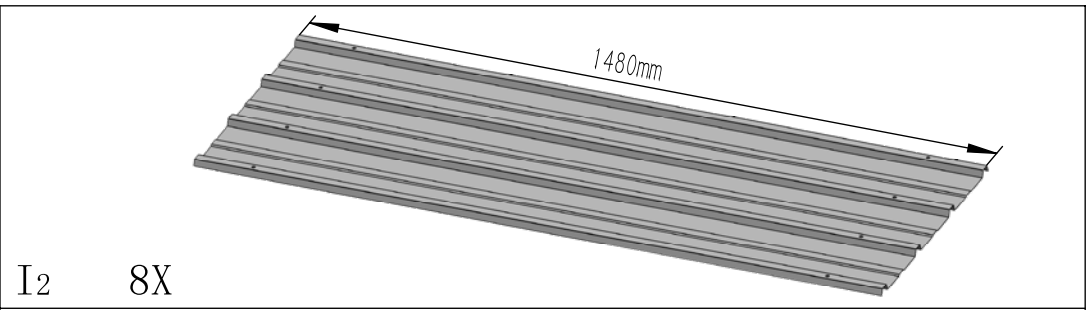
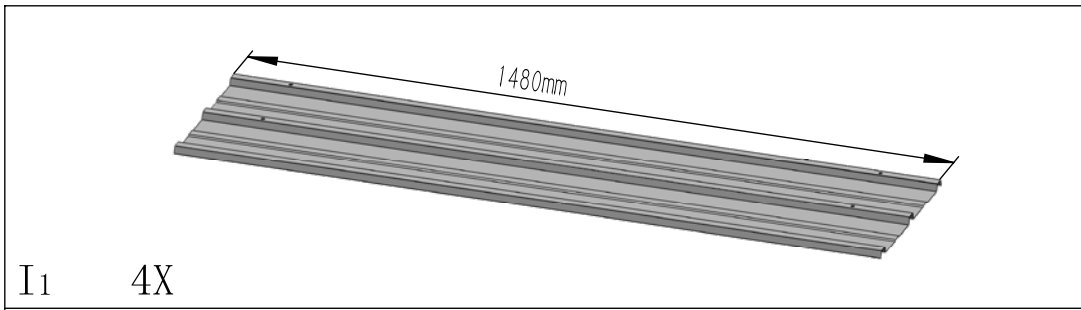
H2 1X

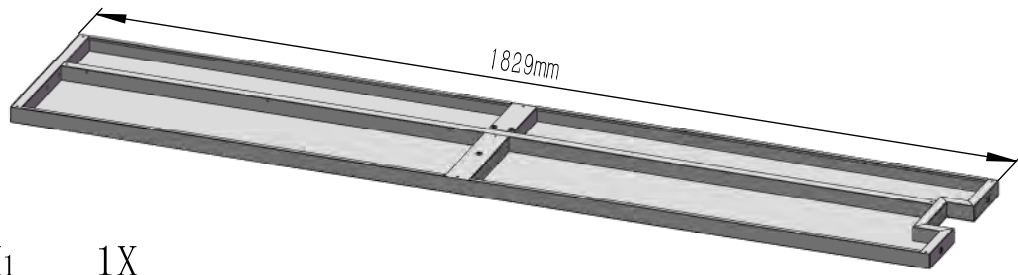


H3 1X

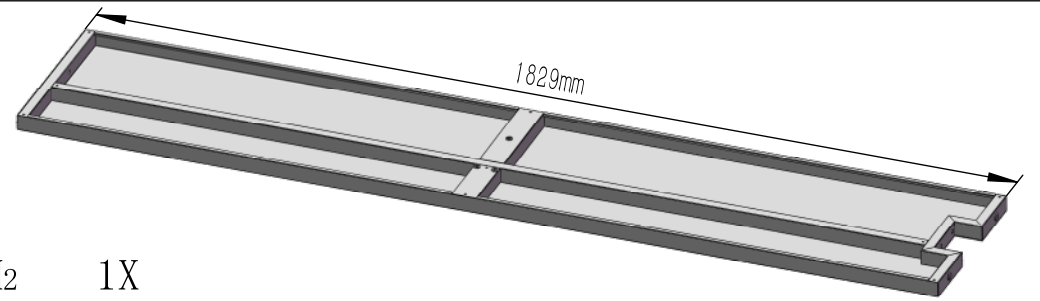


H4 1X

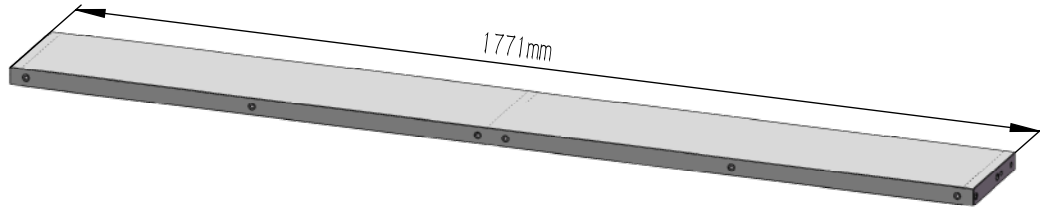




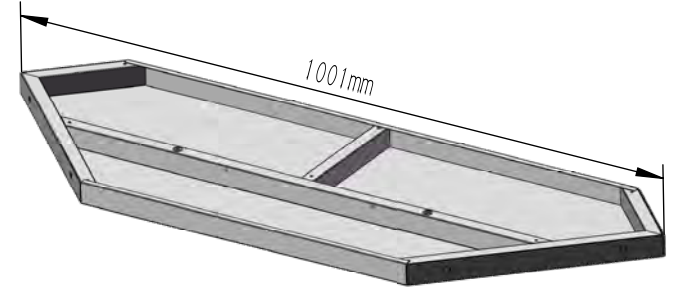
M1 1X



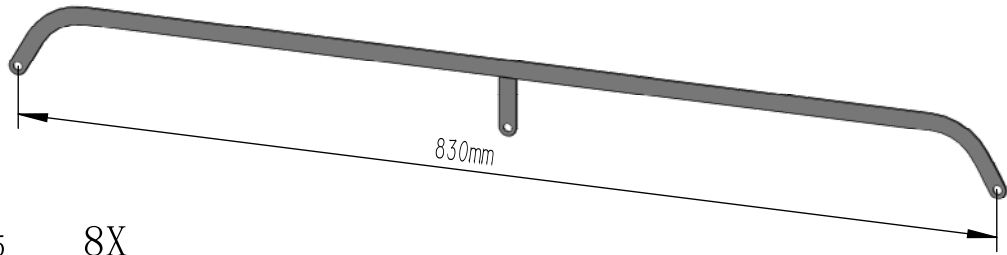
M2 1X



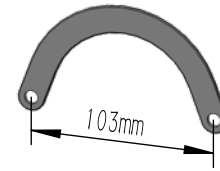
M3 4X



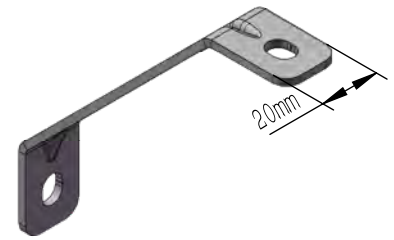
M4 1X



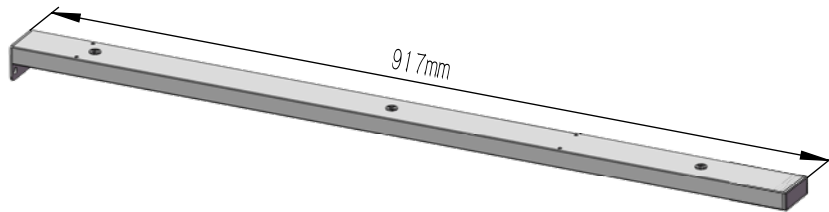
M5 8X



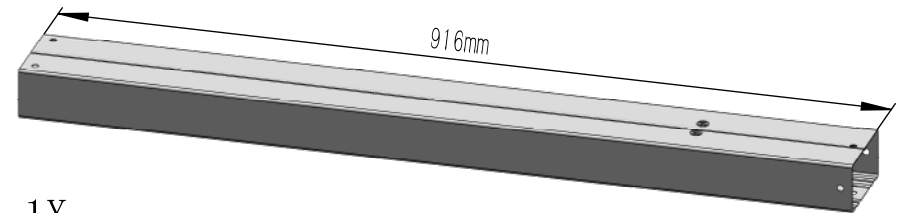
M6 8X



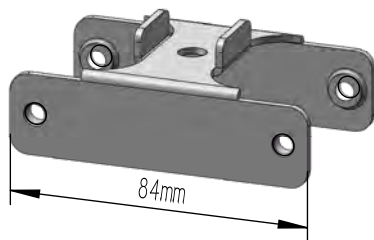
M7 6X



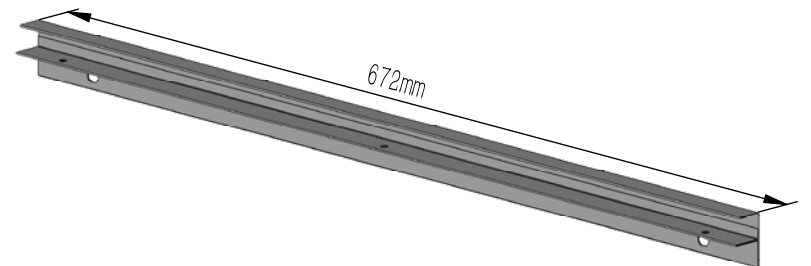
N1 2X



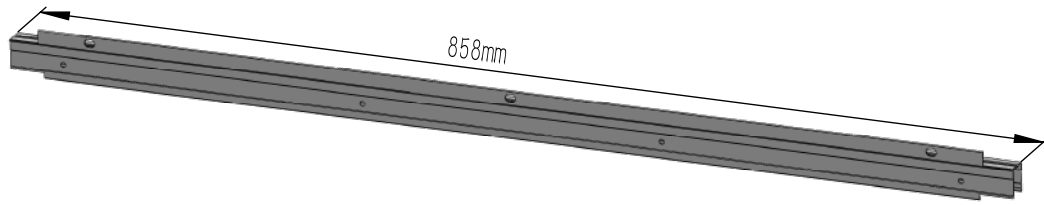
N2 1X



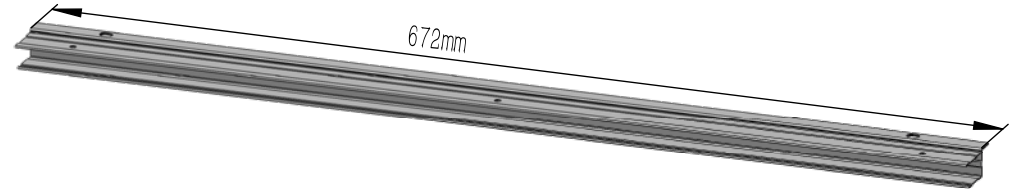
N3 1X



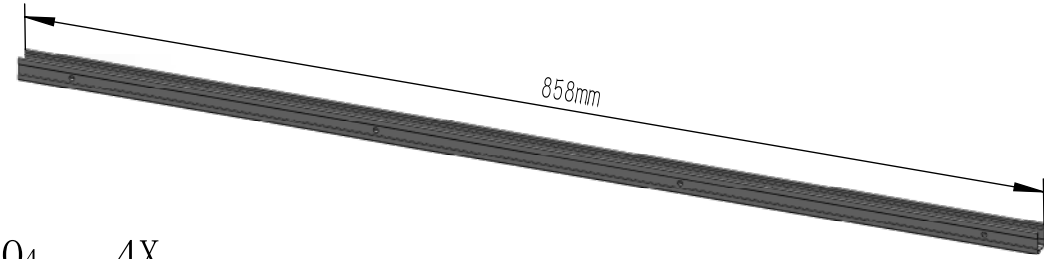
O1 4X



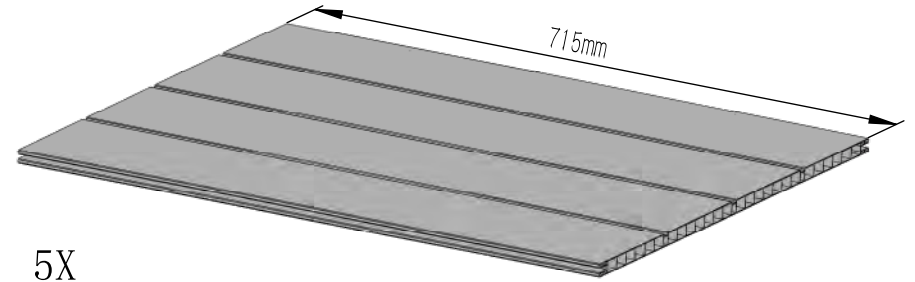
O2 4X



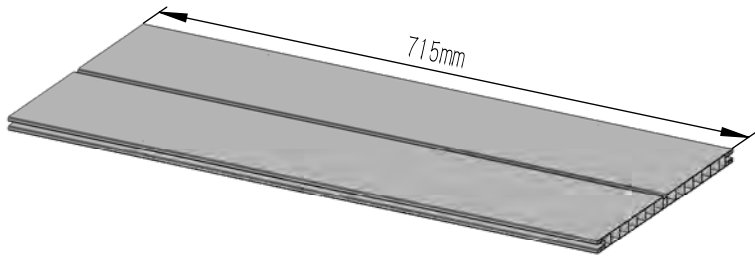
O3 4X



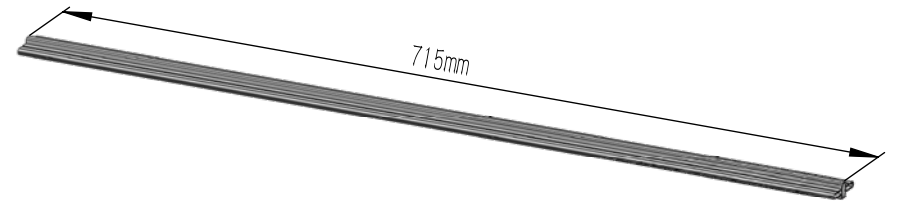
O4 4X



O5 5X



O6 4X



O7 4X



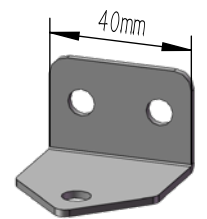
P1 1X



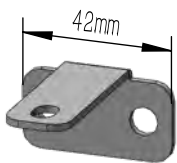
P2 2X



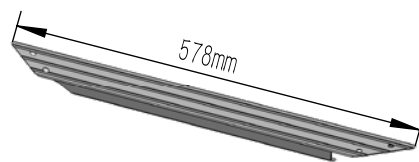
P3 1X



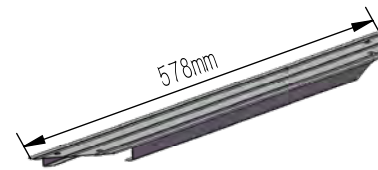
P4 1X



P5 1X



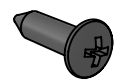



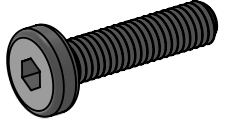
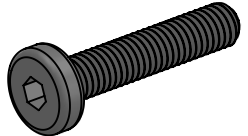
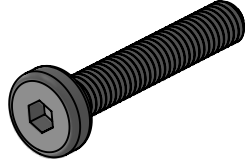
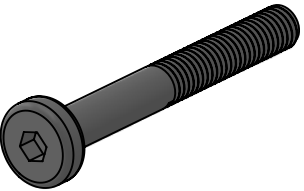

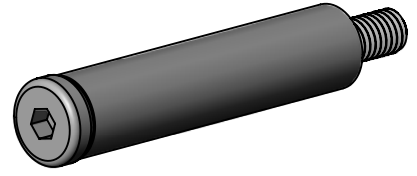
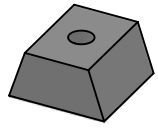
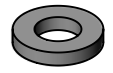

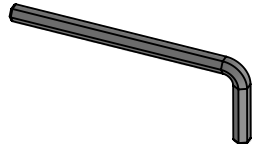
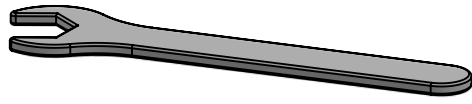

Q1 1X

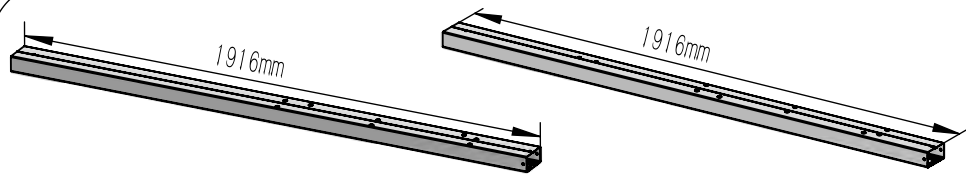


Q2 1X

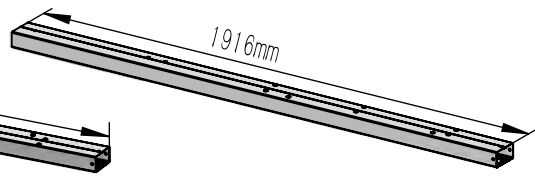


Q3 1X

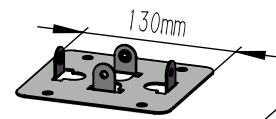
 1# 104X ST4*14	 2# 4X ST5*16	 3# 23X M5*12	
 4# 4X	 5# 227X M6*16	 6# 3X M6*25	
 7# 14X M6*30	 8# 26X M6*35	 9# 28X M6*50	
 10# 8X M6*40	 11# 8X M6*62	 12# 45X	 13# 45X D12/d6. 2*H2
 14# 42X M6	 15# 1X S4	 16# 1X S13	 17# 2X



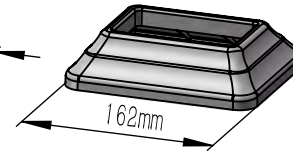
A1 1X



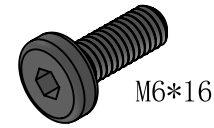
A2 1X



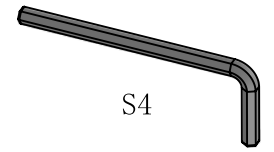
A7 2X



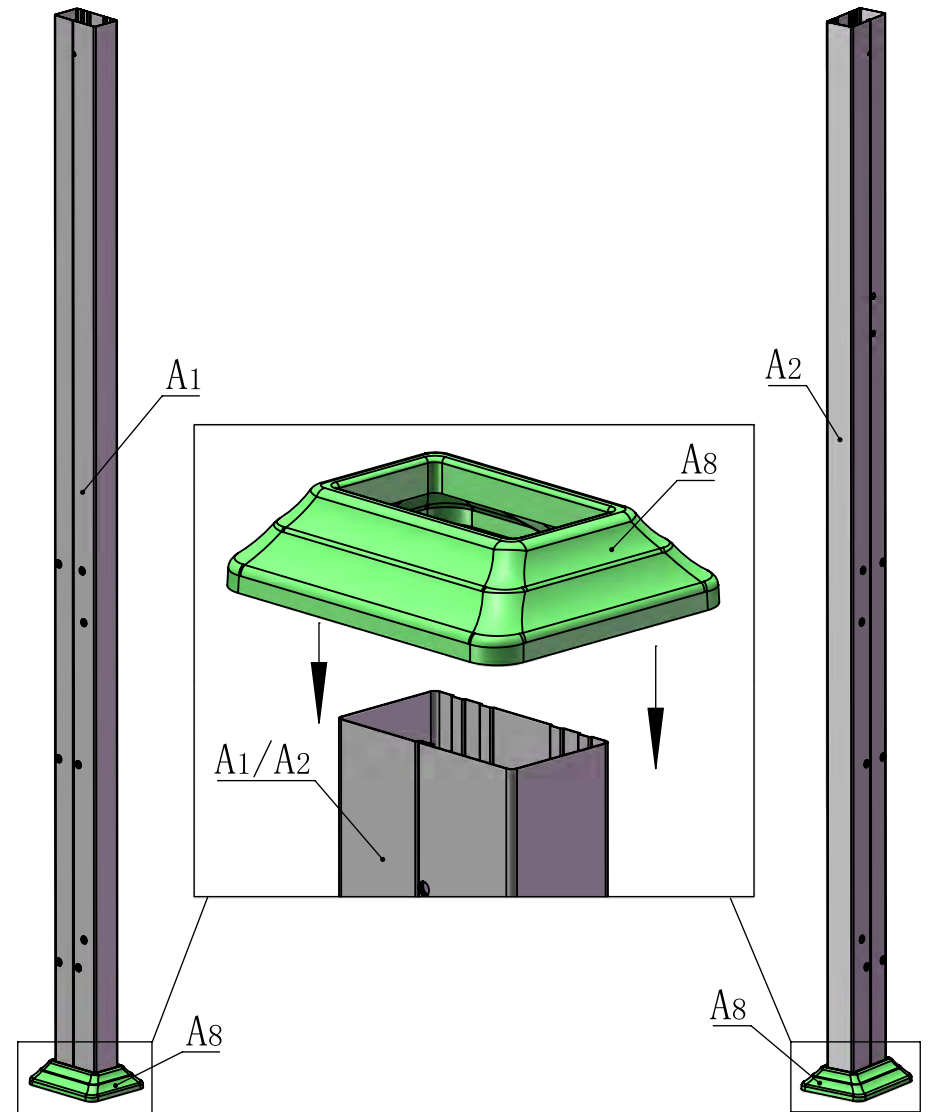
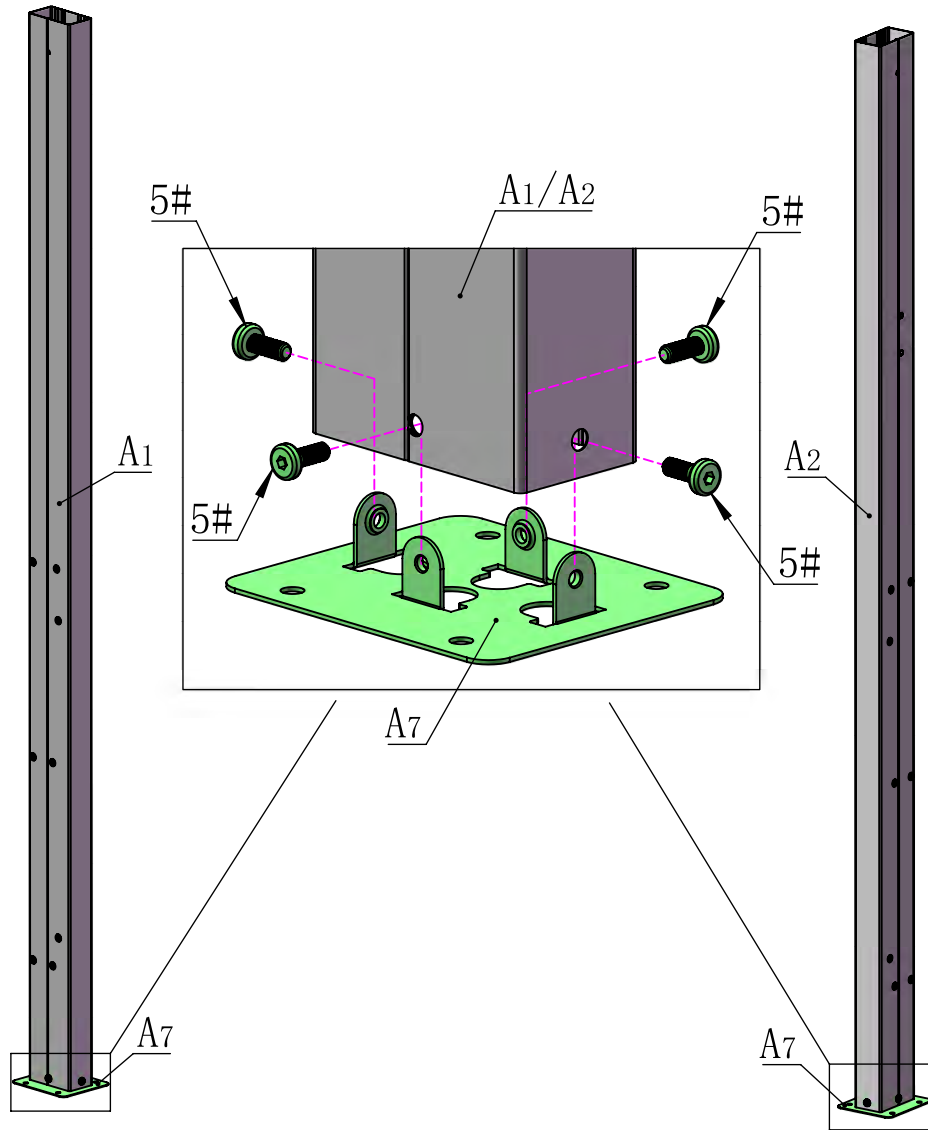
A8 2X

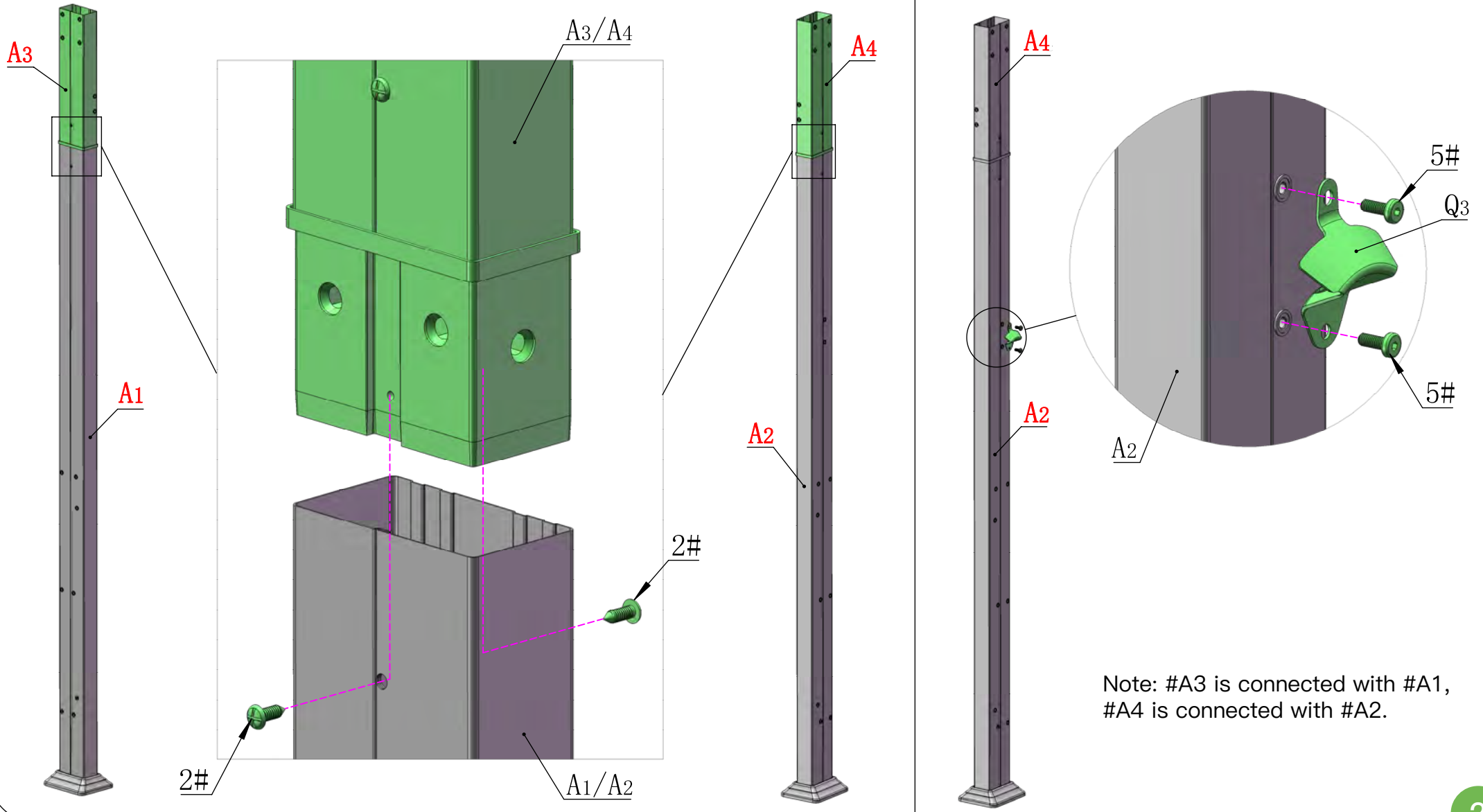
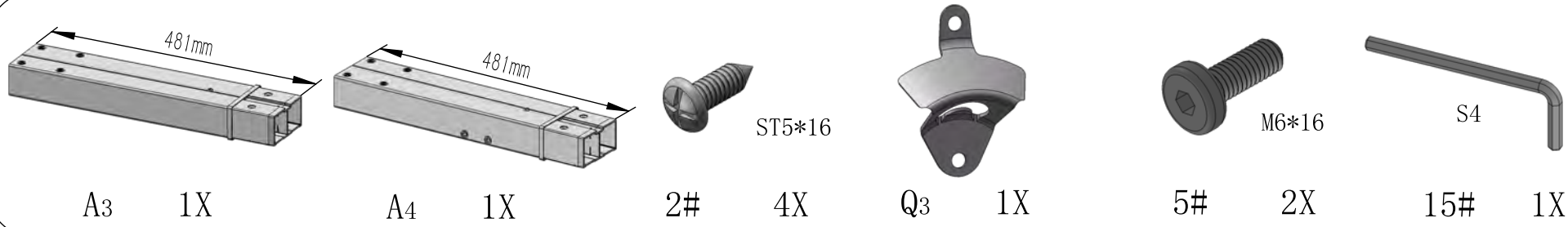


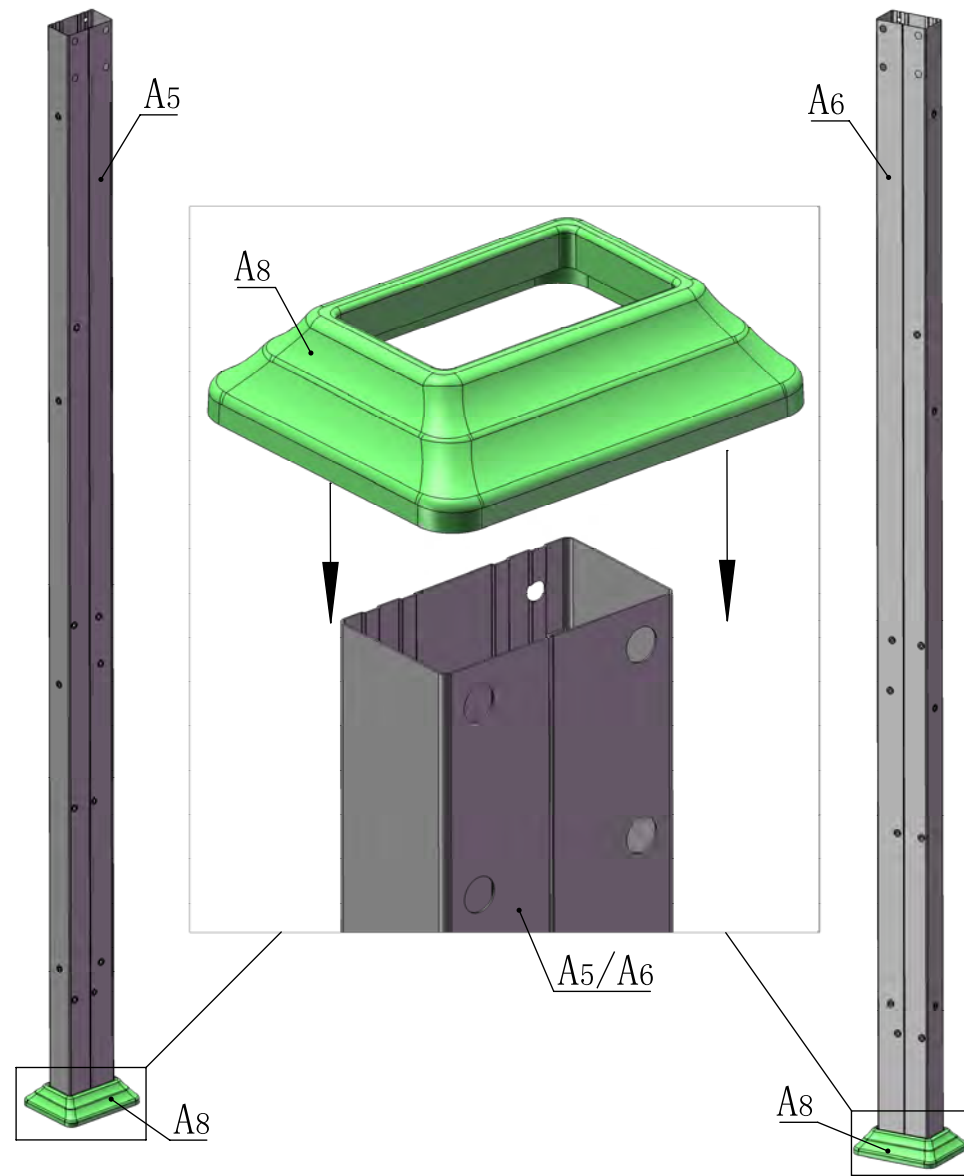
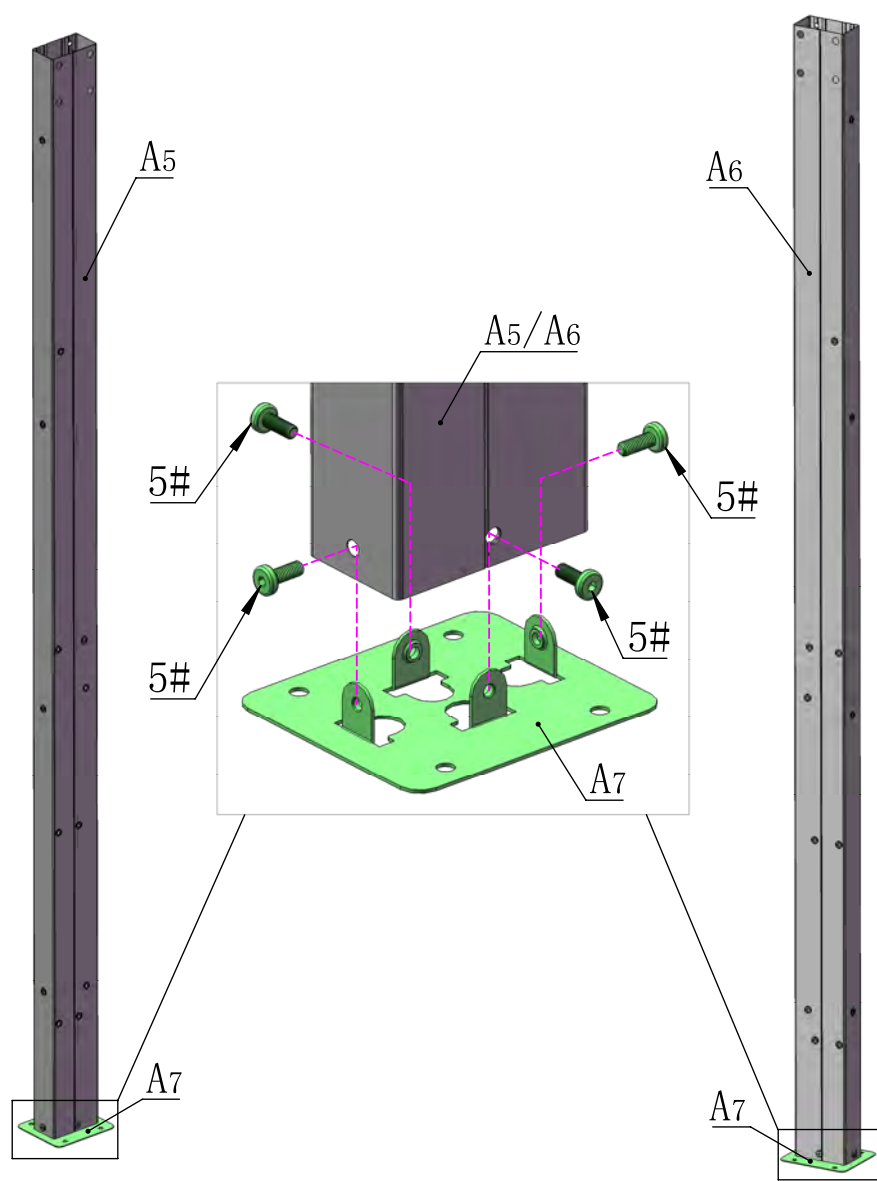
5# 8X

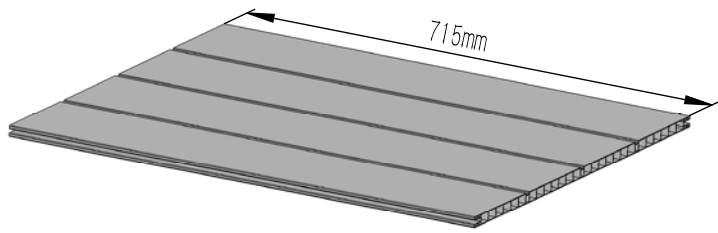


15# 1X

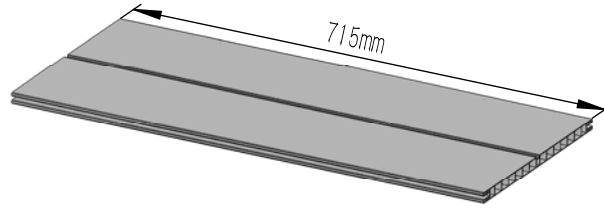




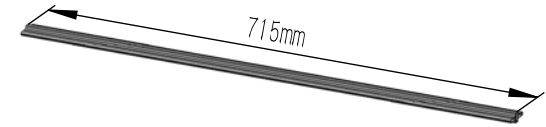




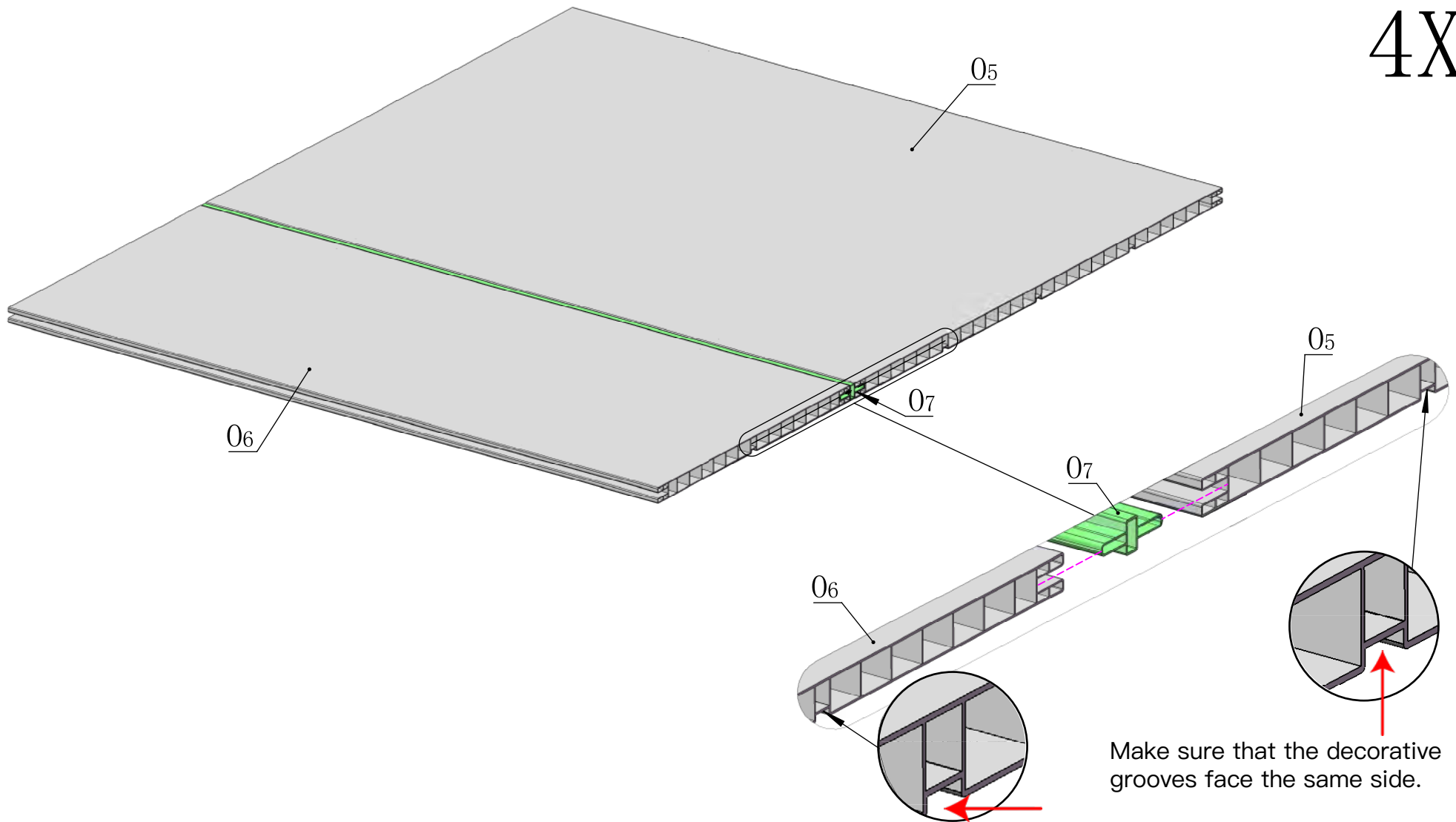
05 4X

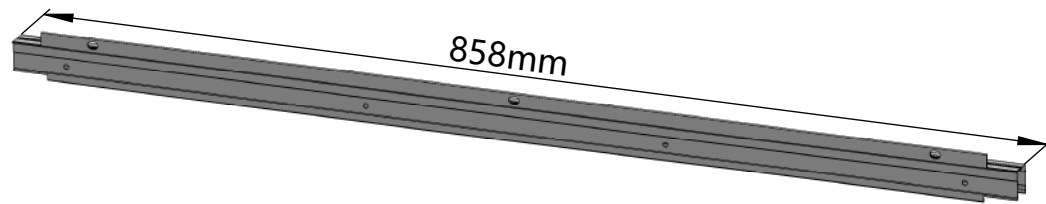


06 4X



07 4X





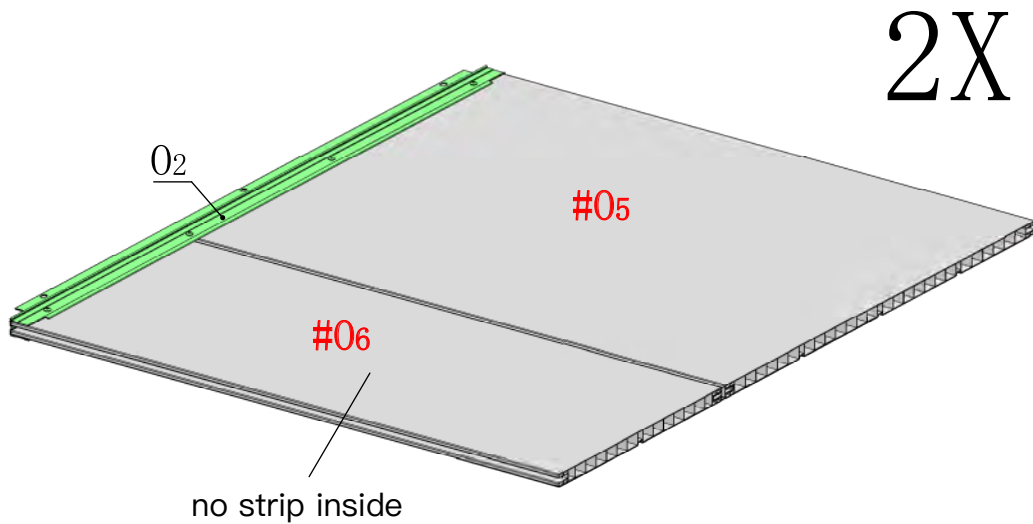
858mm

02 4X



ST4*14

1# 16X



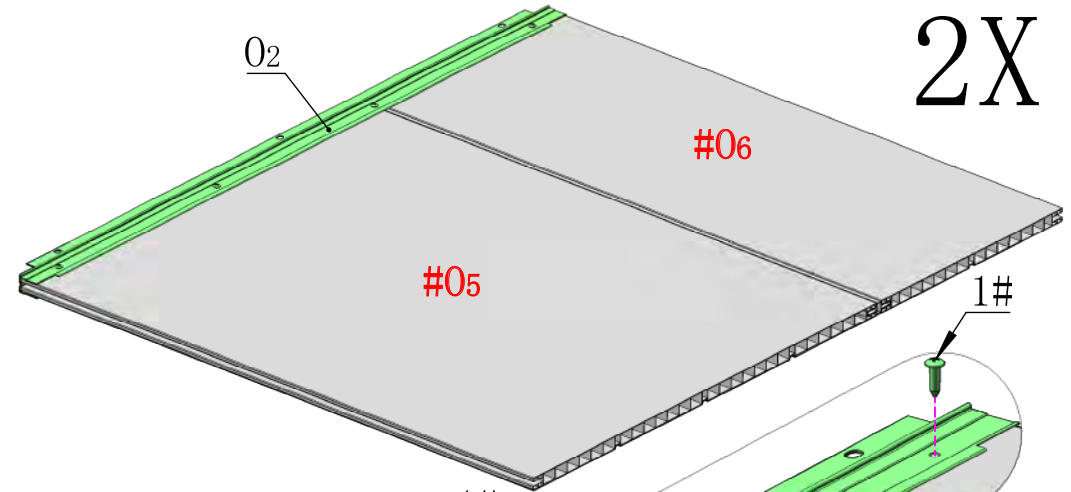
2X

02

#05

#06

no strip inside



2X

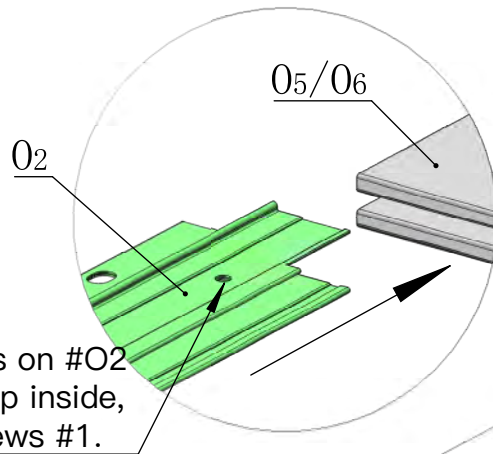
02

#06

#05

1#

1#



05/06

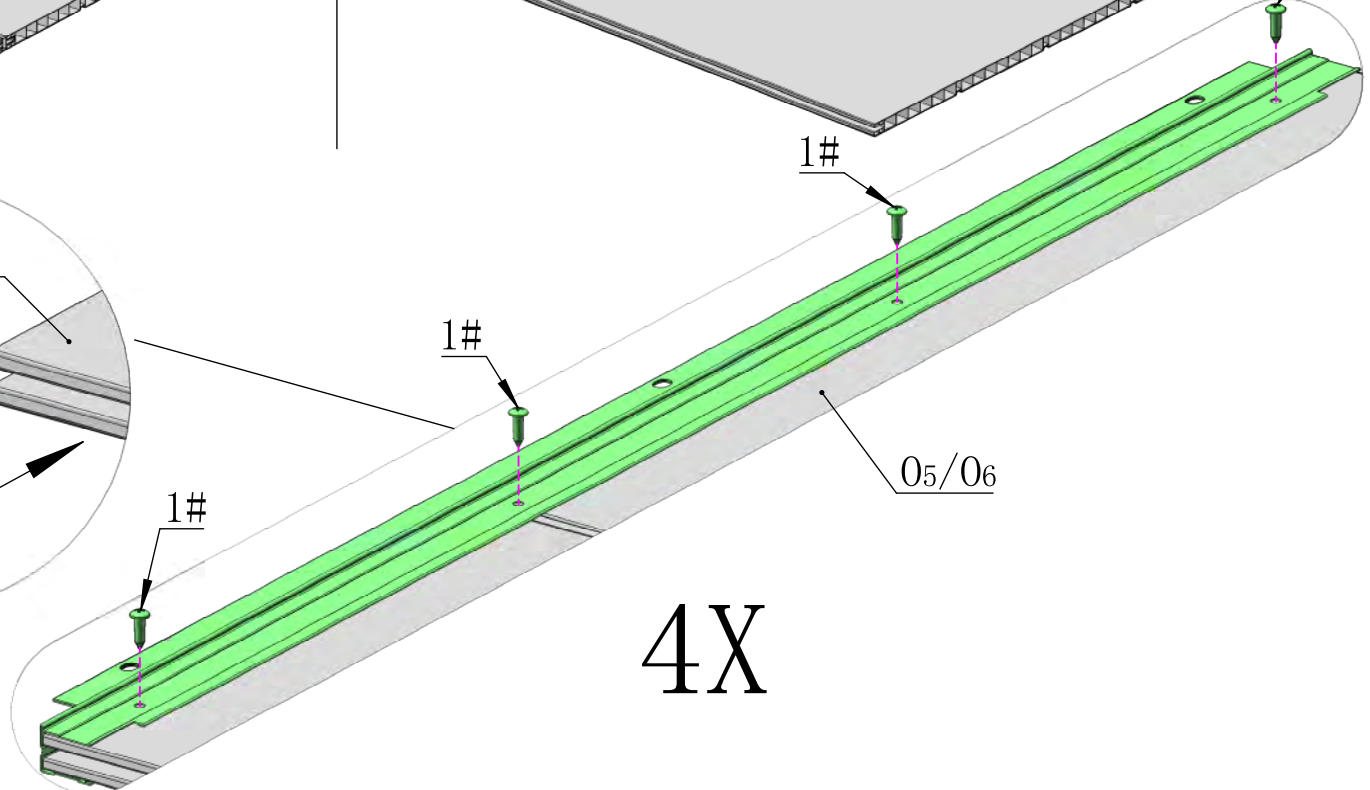
02

NOTE: The fixing holes on #02 should face the no strip inside, and secure with 4 screws #1.

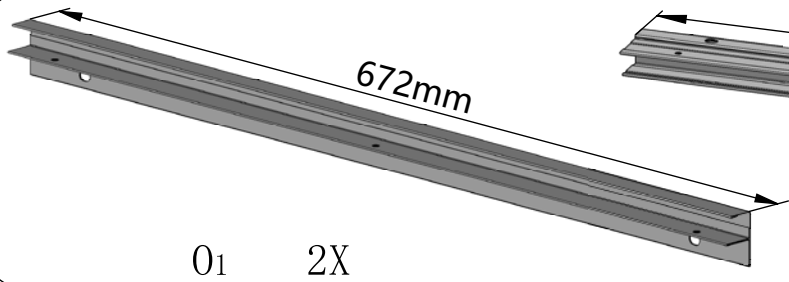
1#

1#

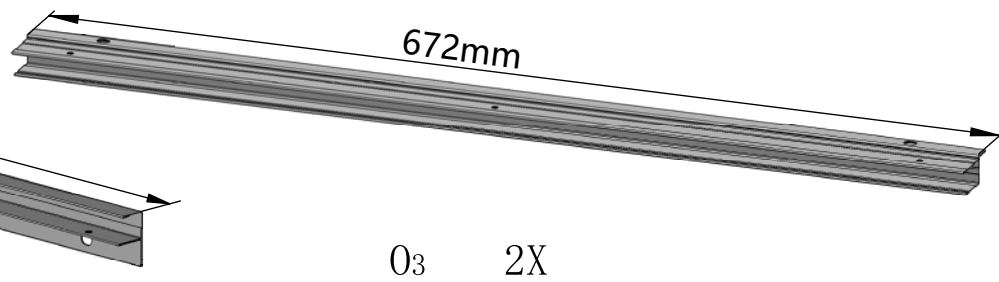
05/06



4X



01 2X



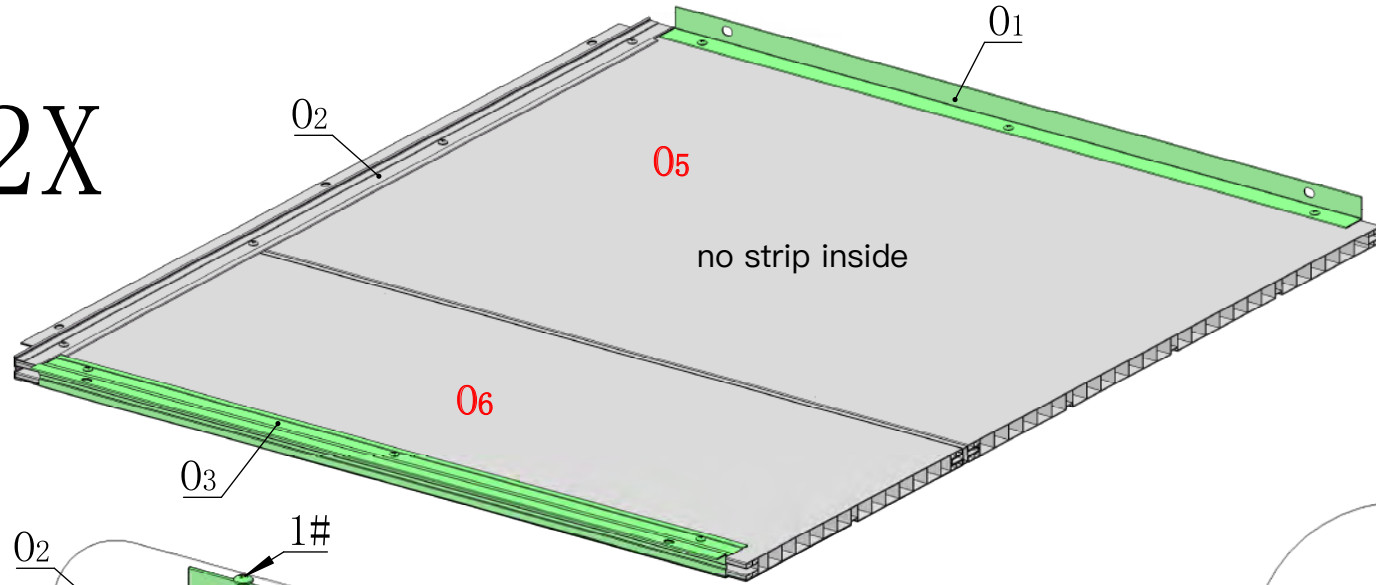
03 2X



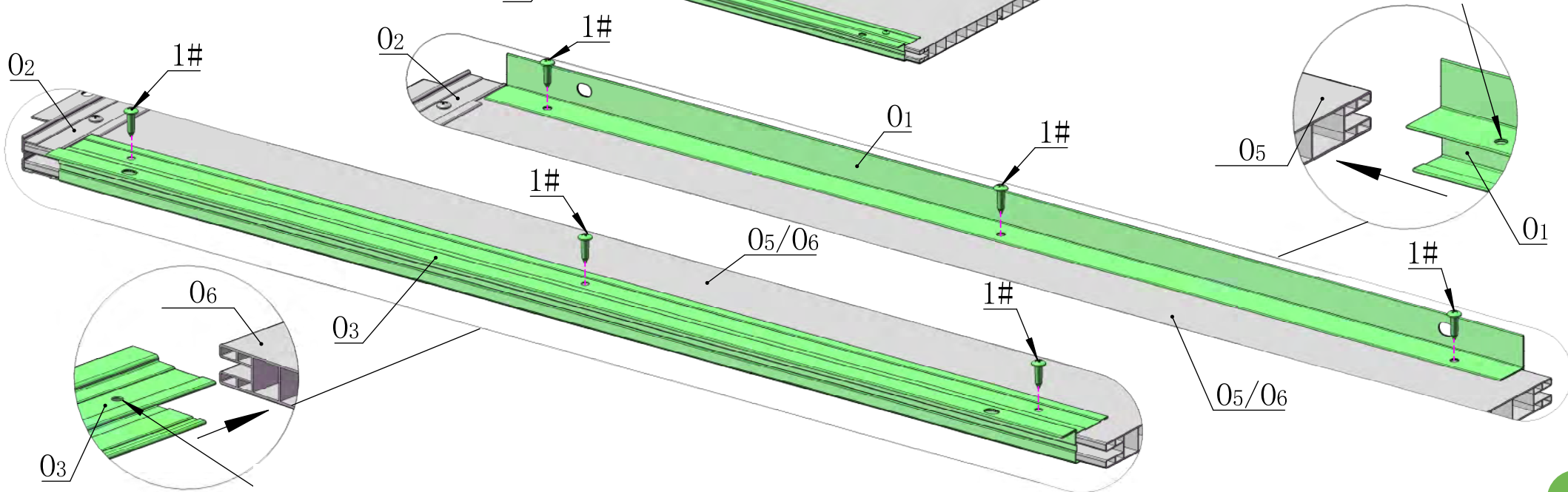
ST4*14

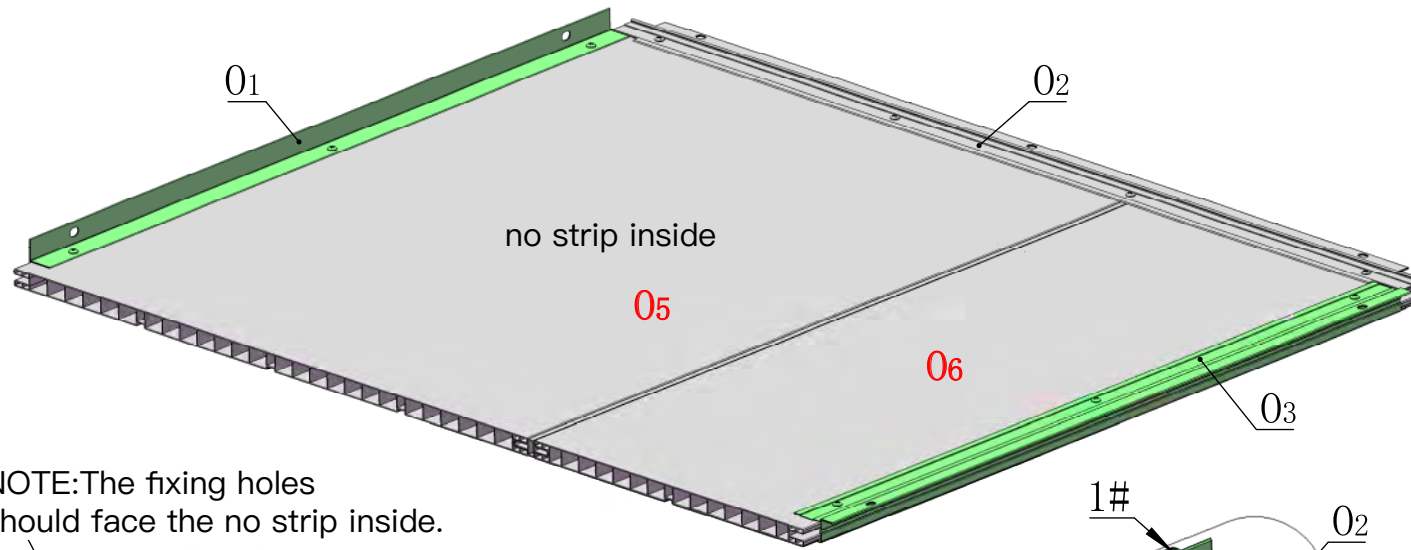
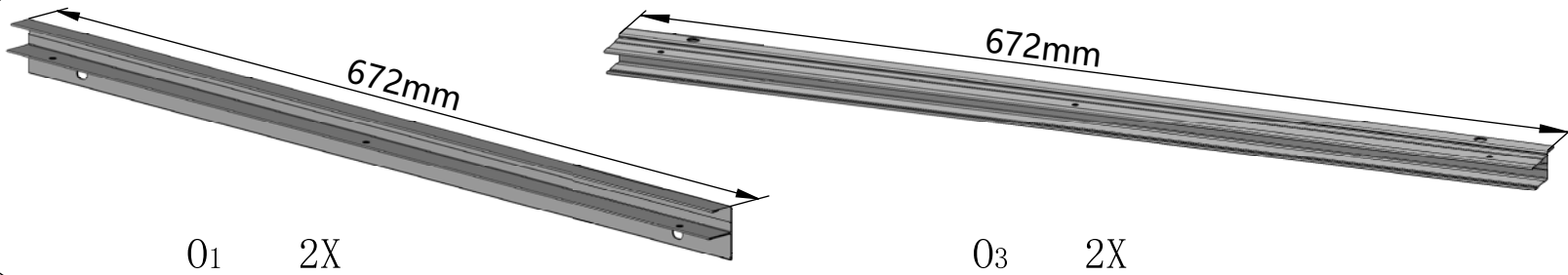
1# 12X

2X

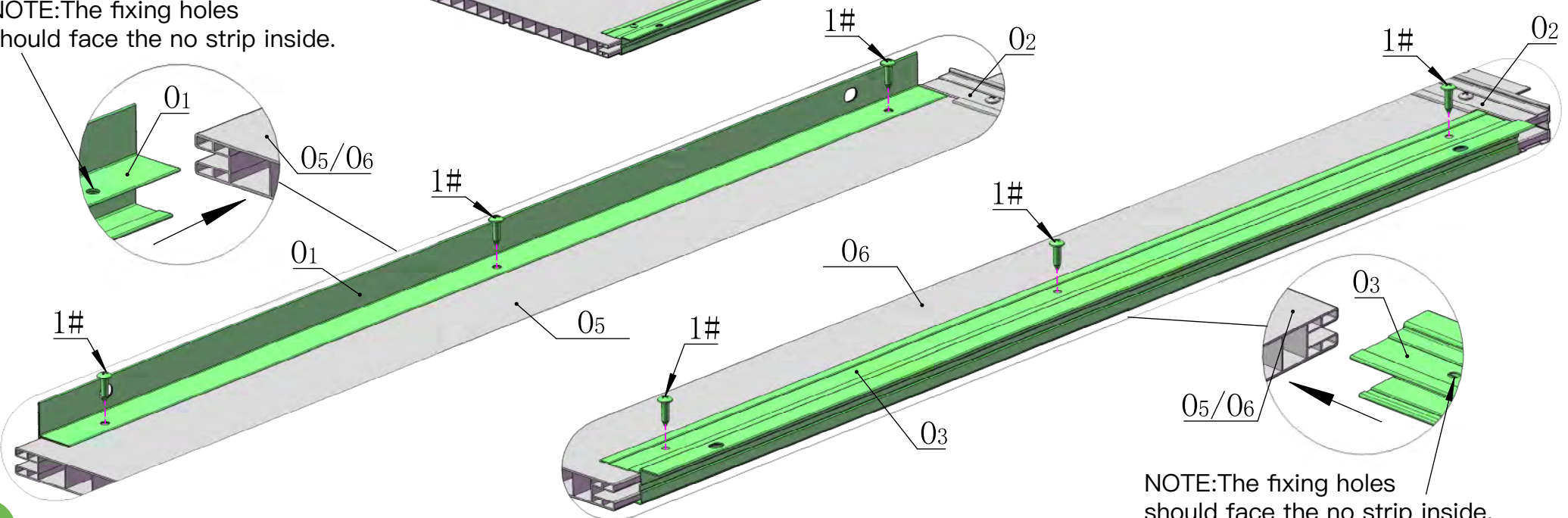


NOTE: The fixing holes should face the no strip inside.

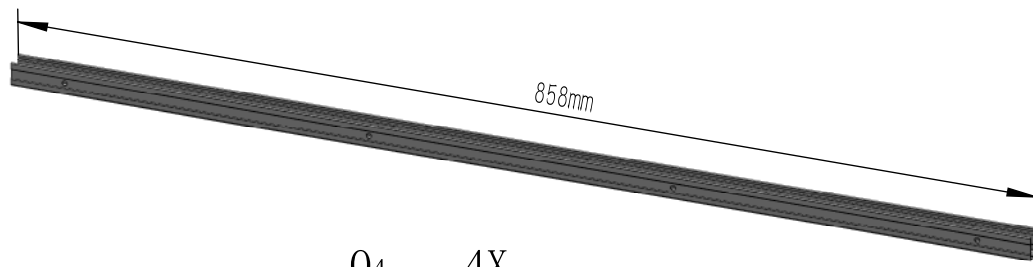




NOTE: The fixing holes should face the no strip inside.



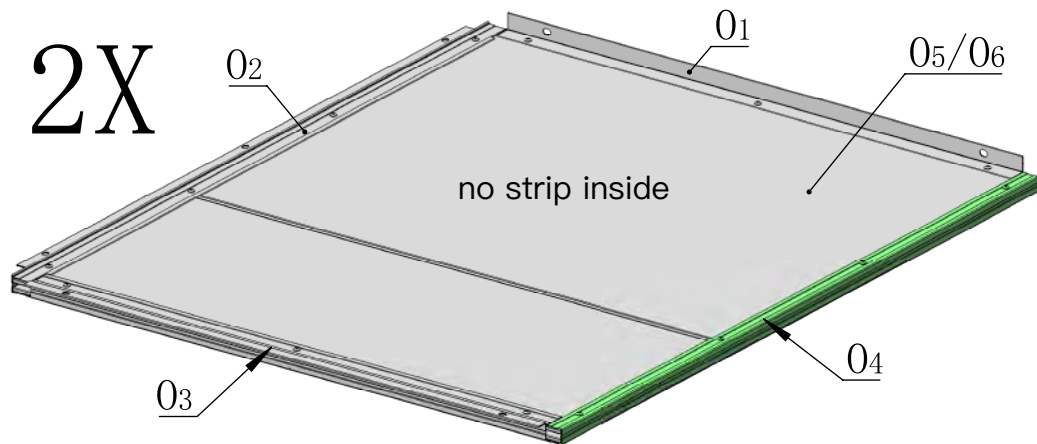
NOTE: The fixing holes should face the no strip inside.



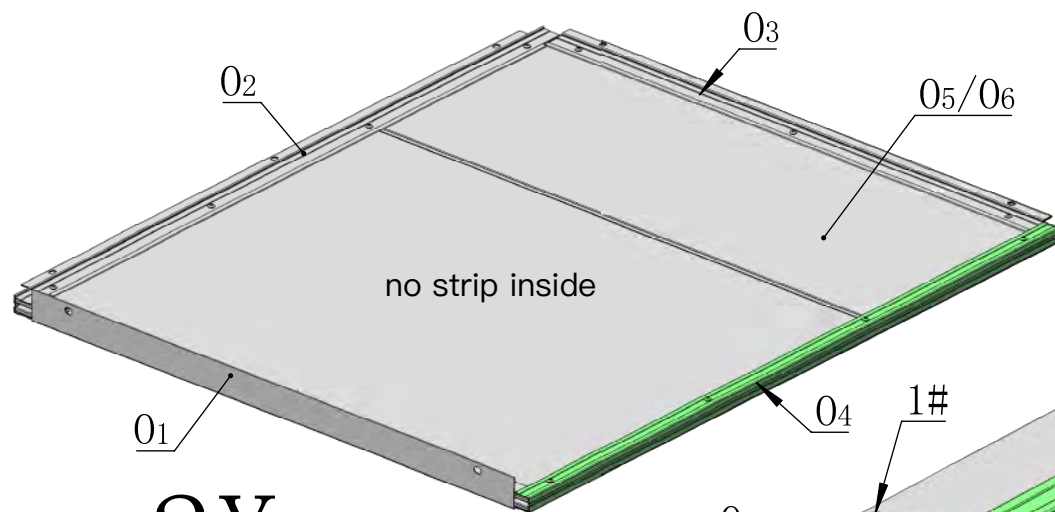
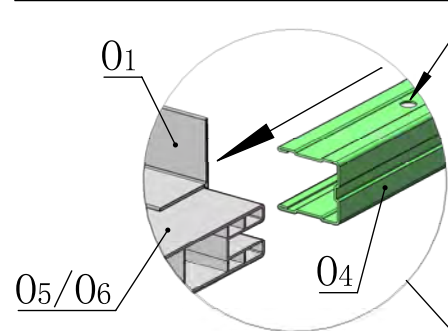
ST4*14

1# 16X

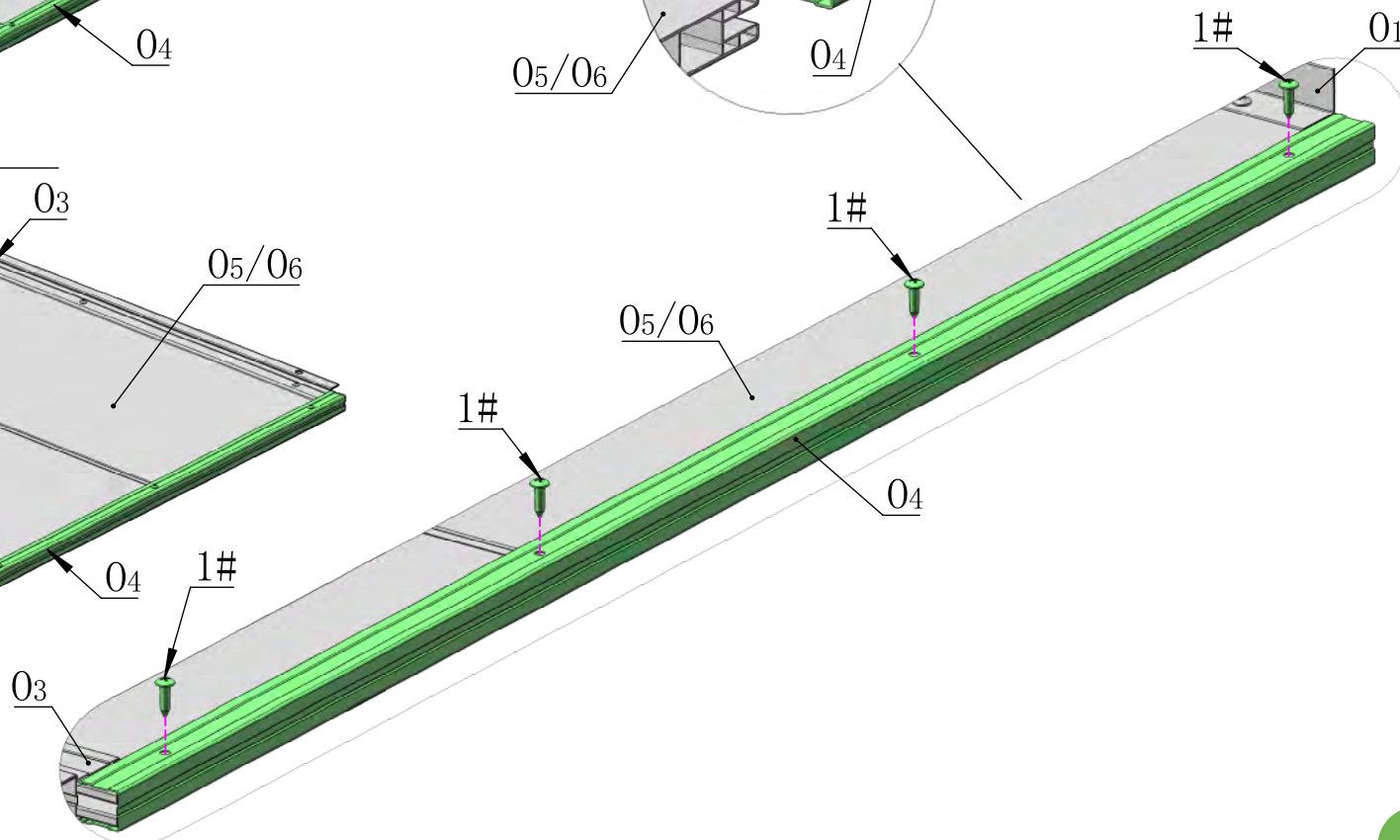
2X

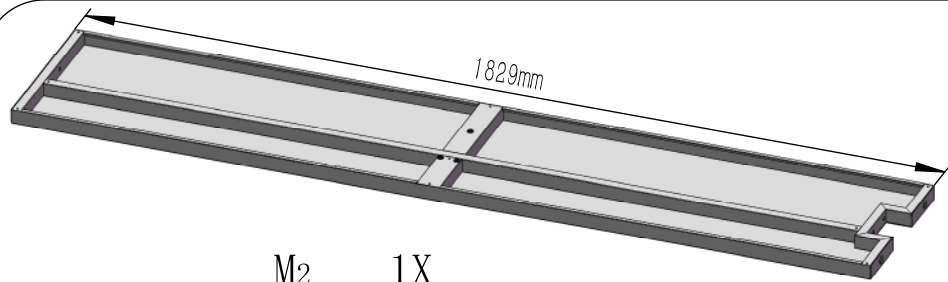


NOTE: The fixing holes should face the no strip inside.

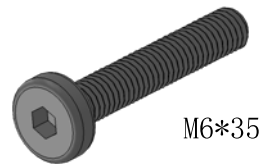


2X



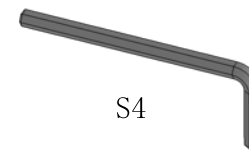


M2 1X



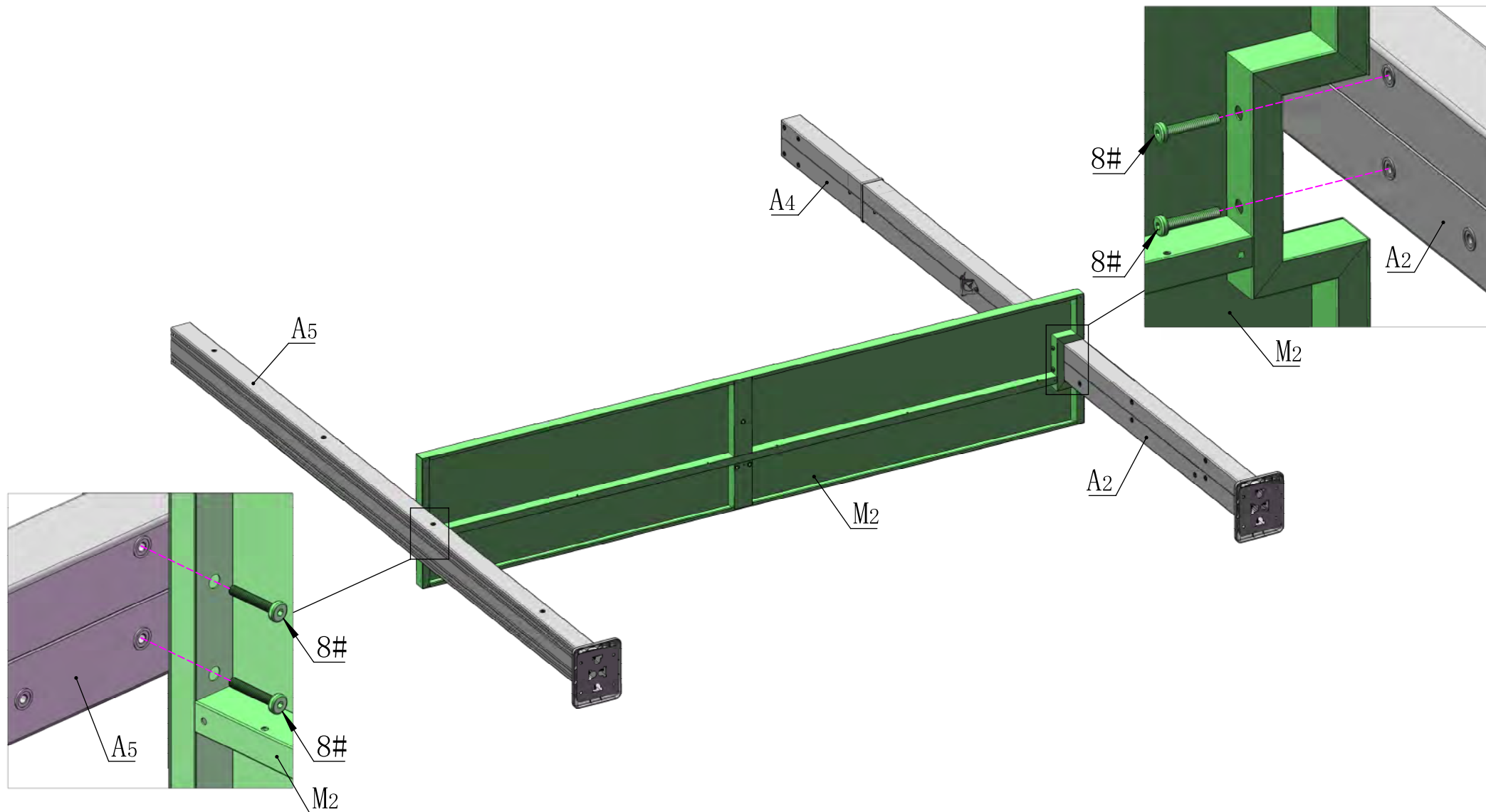
M6*35

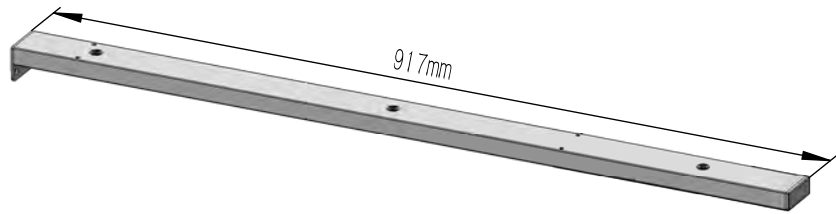
8# 4X



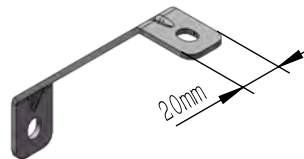
S4

15# 1X





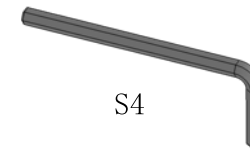
N1 1X



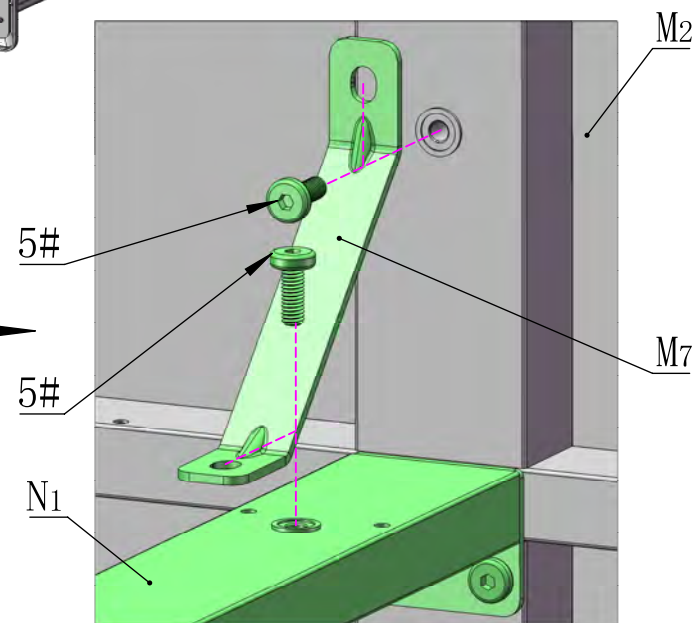
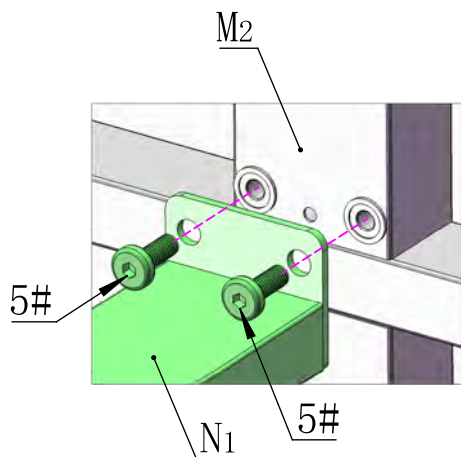
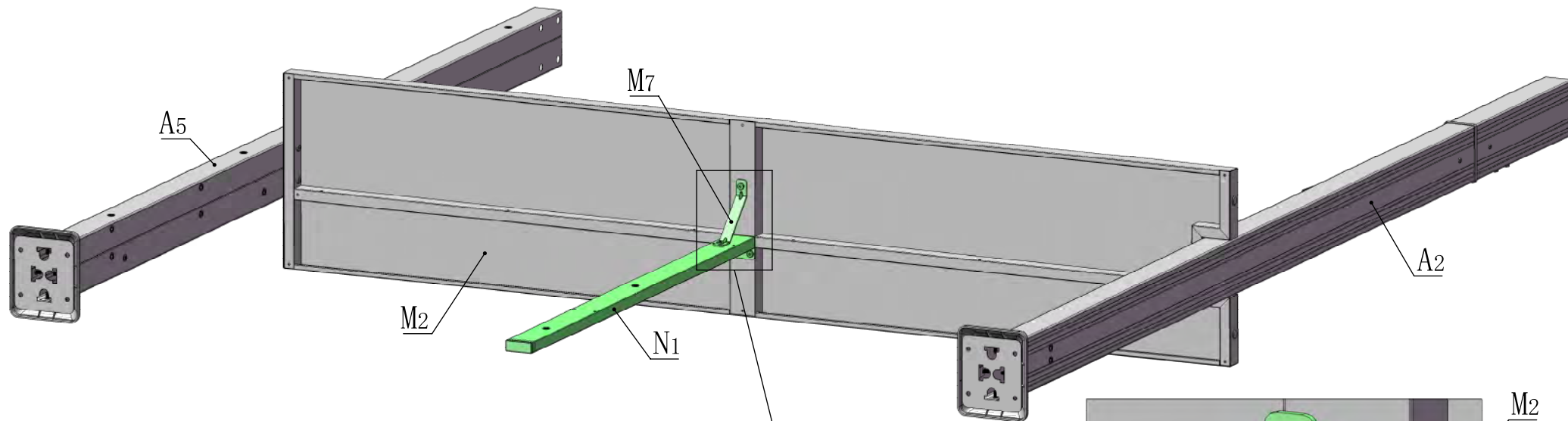
M7 1X



5# 4X



S4 1X

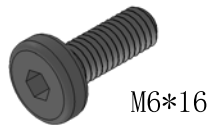




M5*12

3#

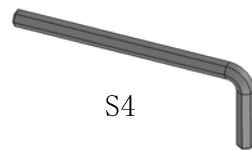
10X



M6*16

5#

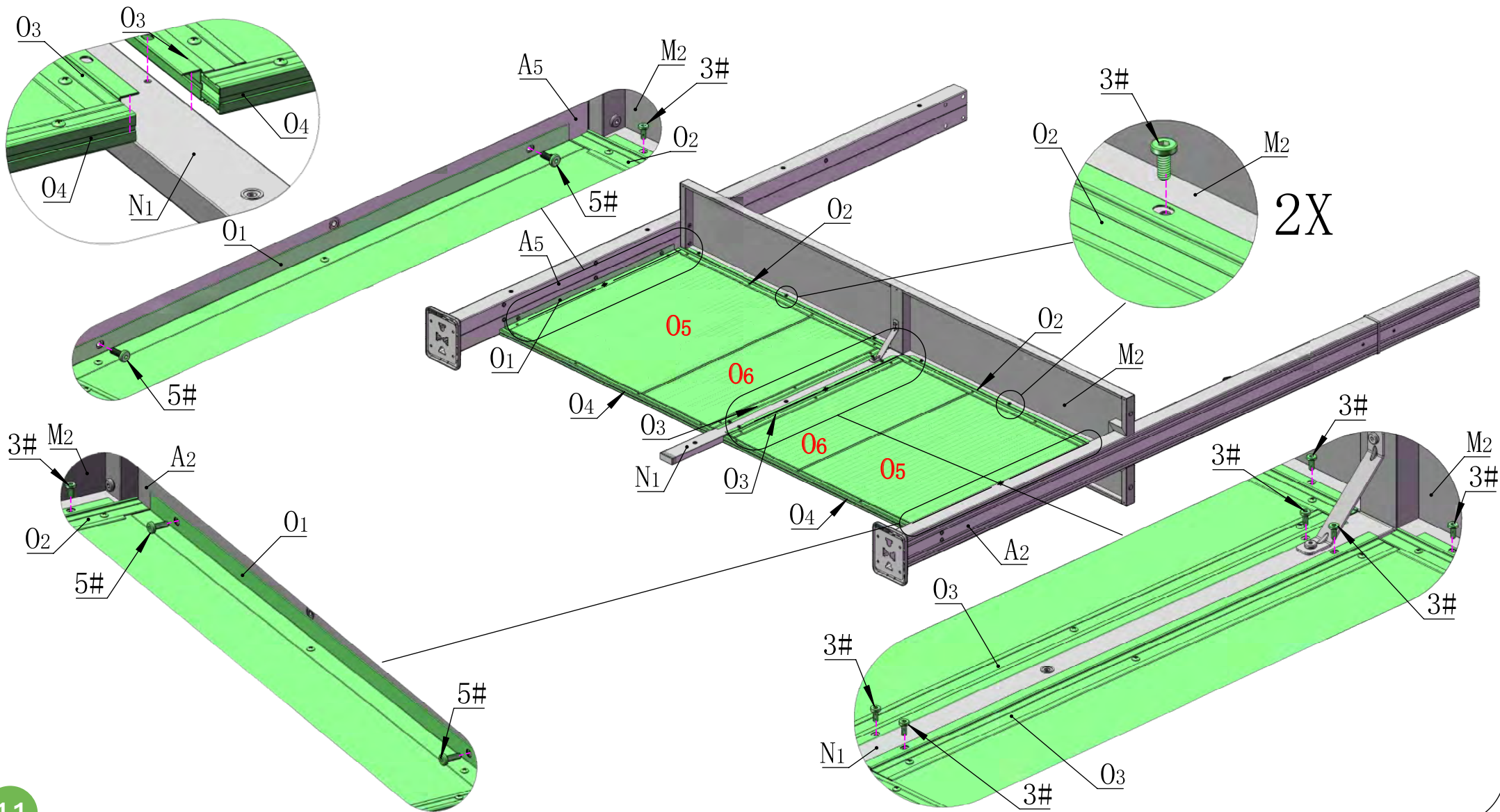
4X

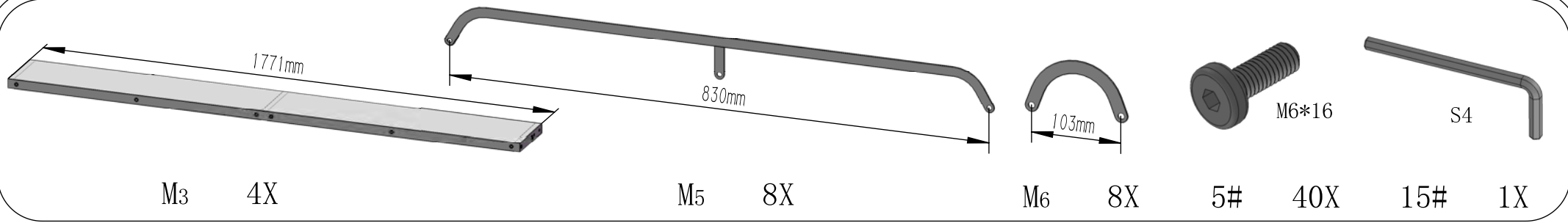


S4

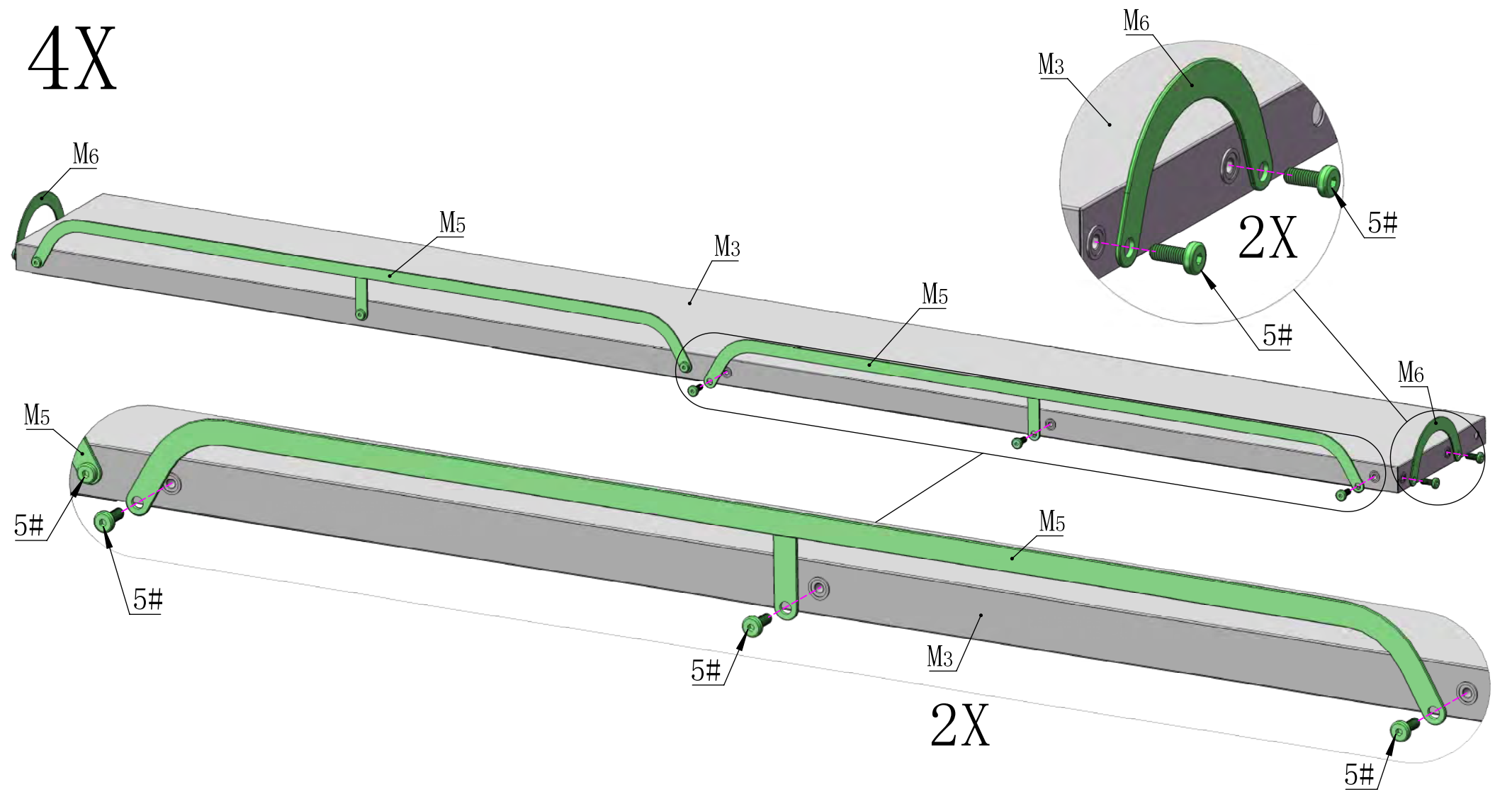
15#

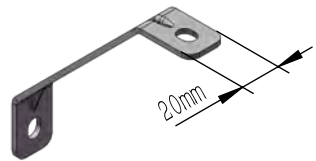
1X



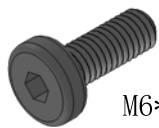


4X

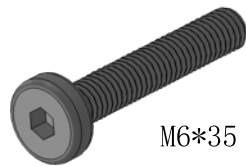




M7 2X



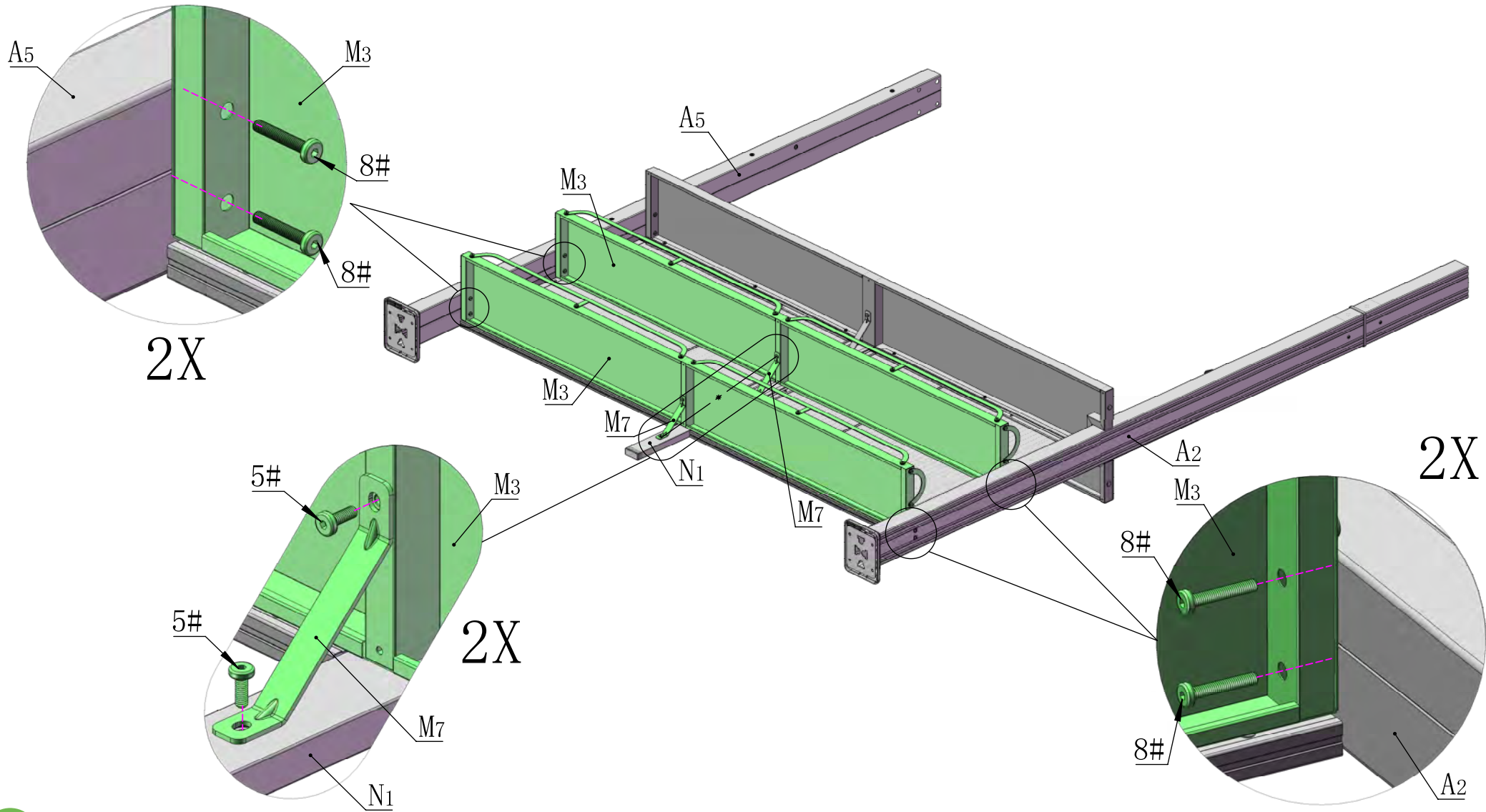
M6*16
5# 4X



M6*35
8# 8X



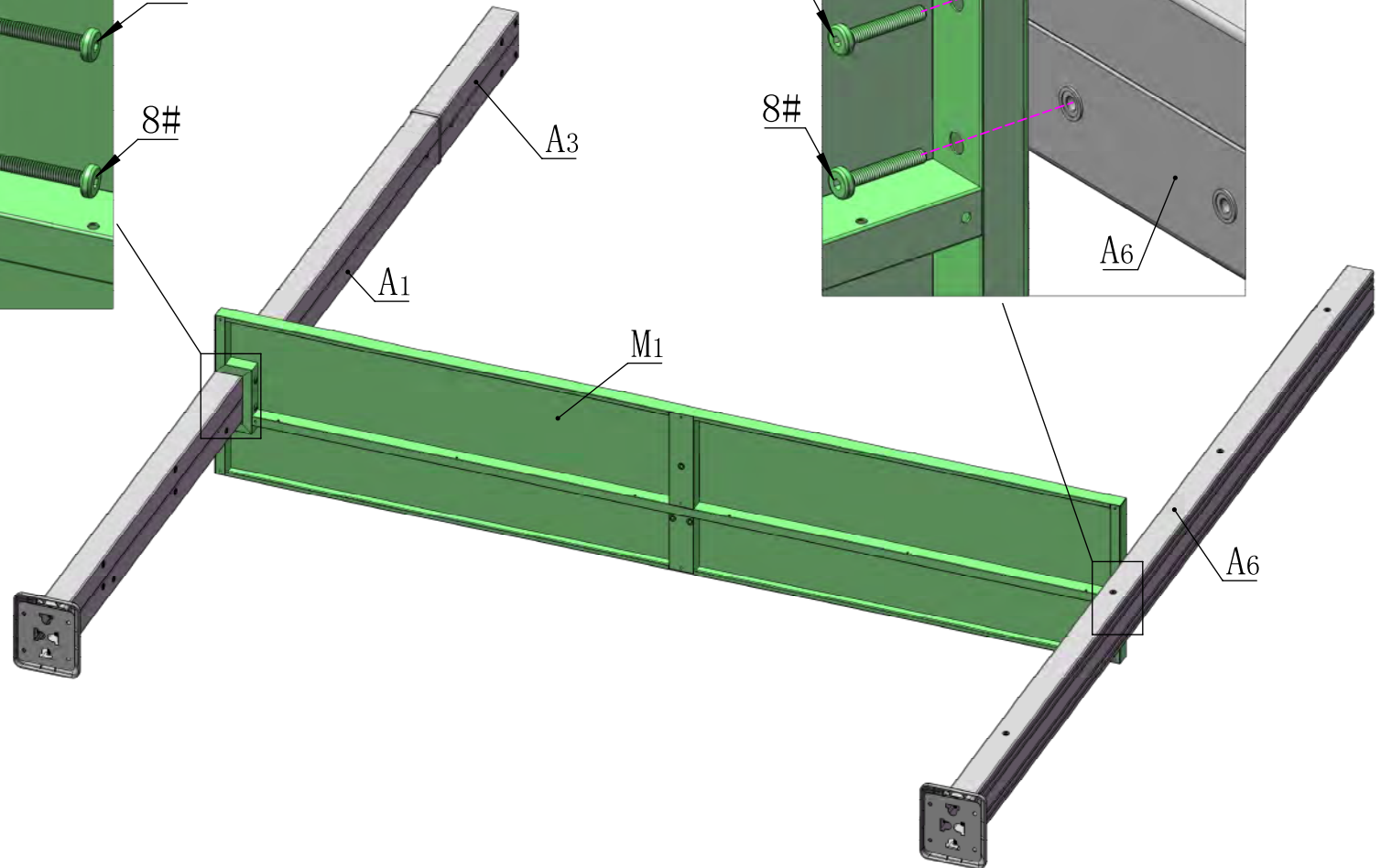
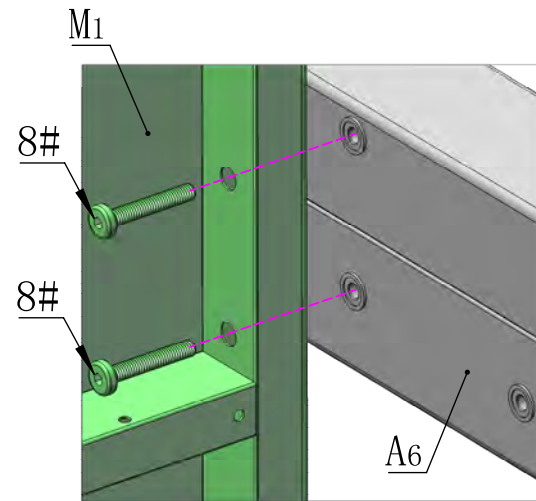
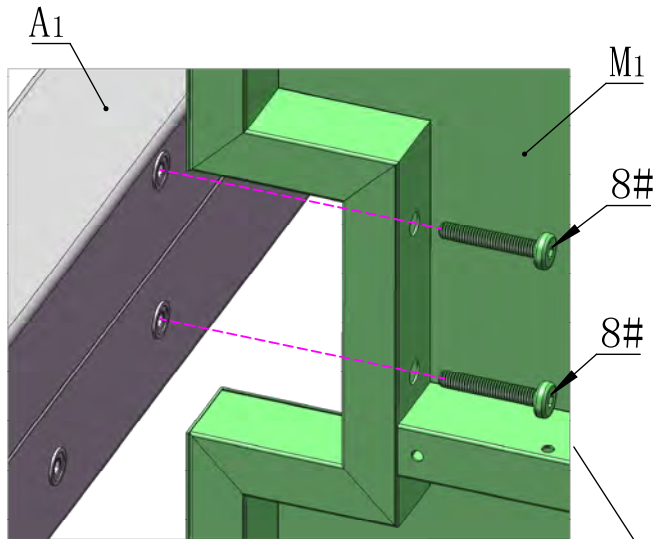
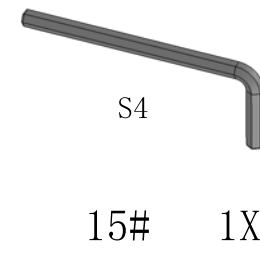
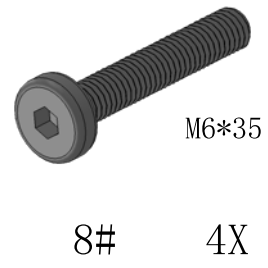
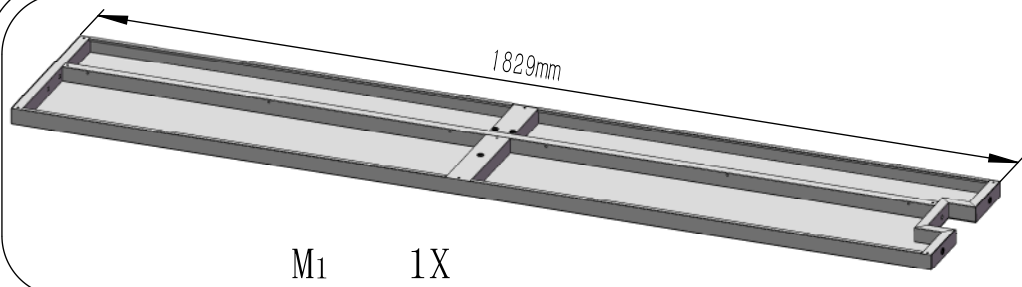
S4
15# 1X

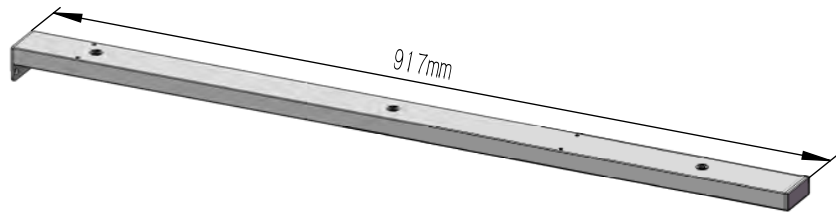


2X

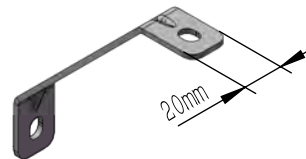
2X

2X





N1 1X

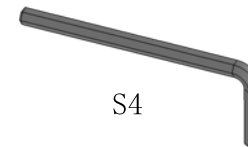


M7 1X



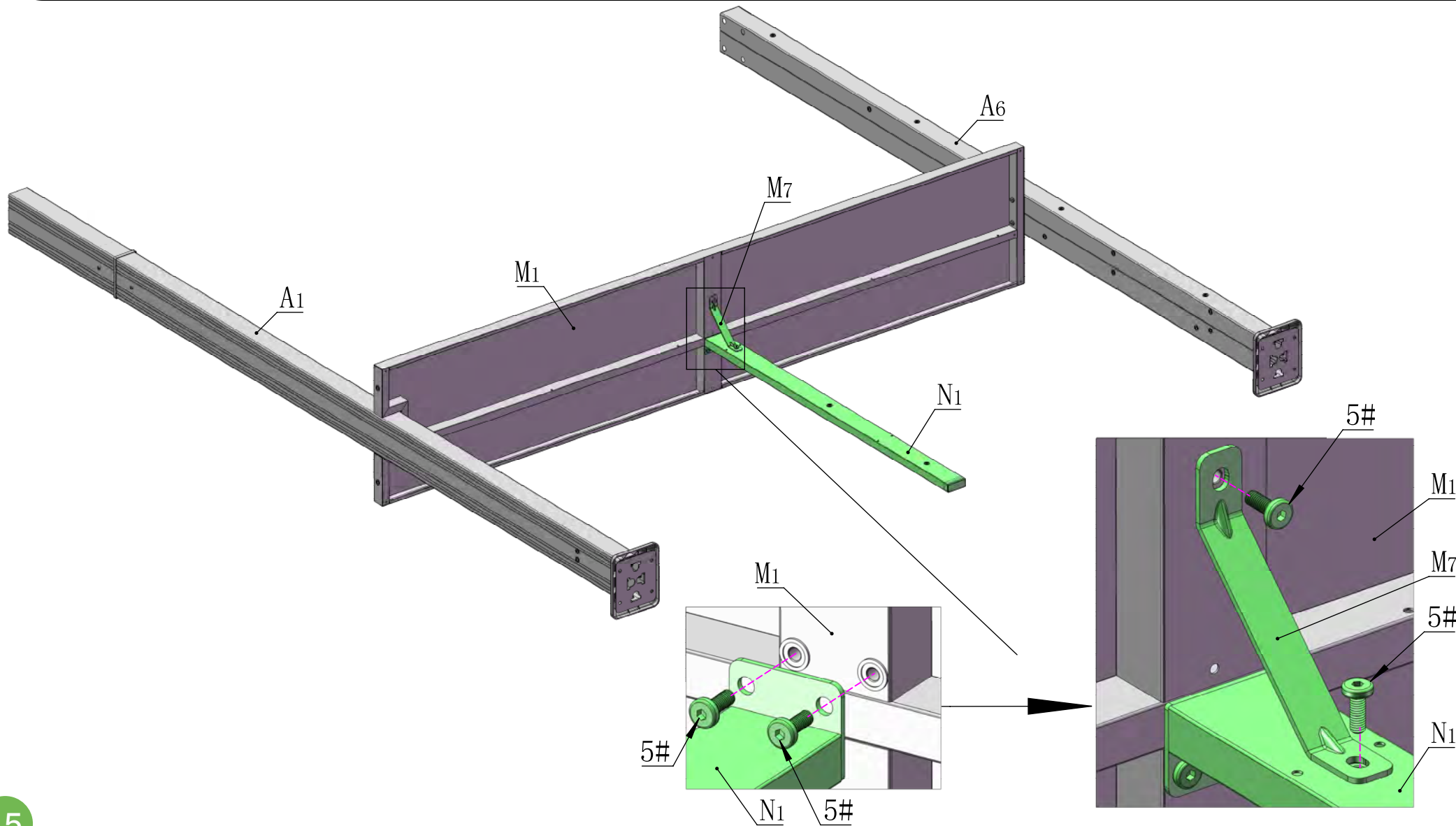
M6*16

5# 4X



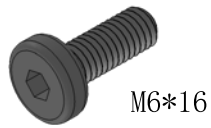
S4

15# 1X

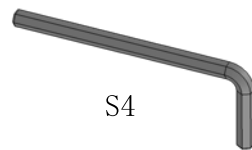




M5*12



M6*16



S4

3#

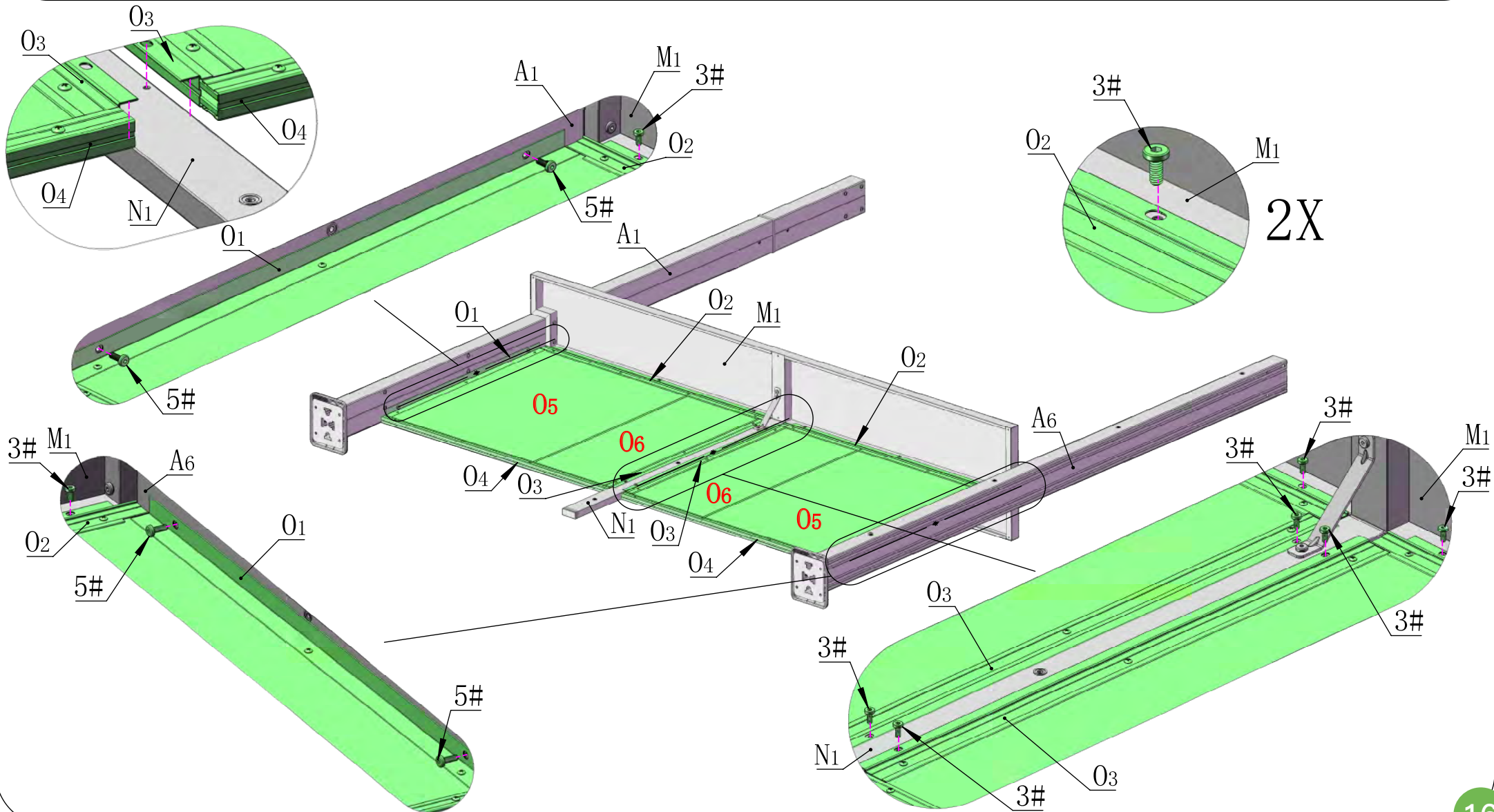
10X

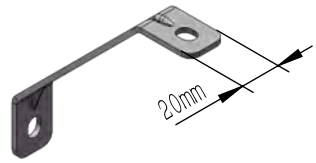
5#

4X

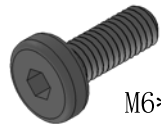
15#

1X



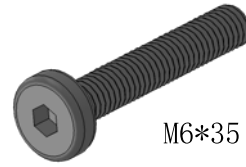


M7 2X



M6*16

5# 4X



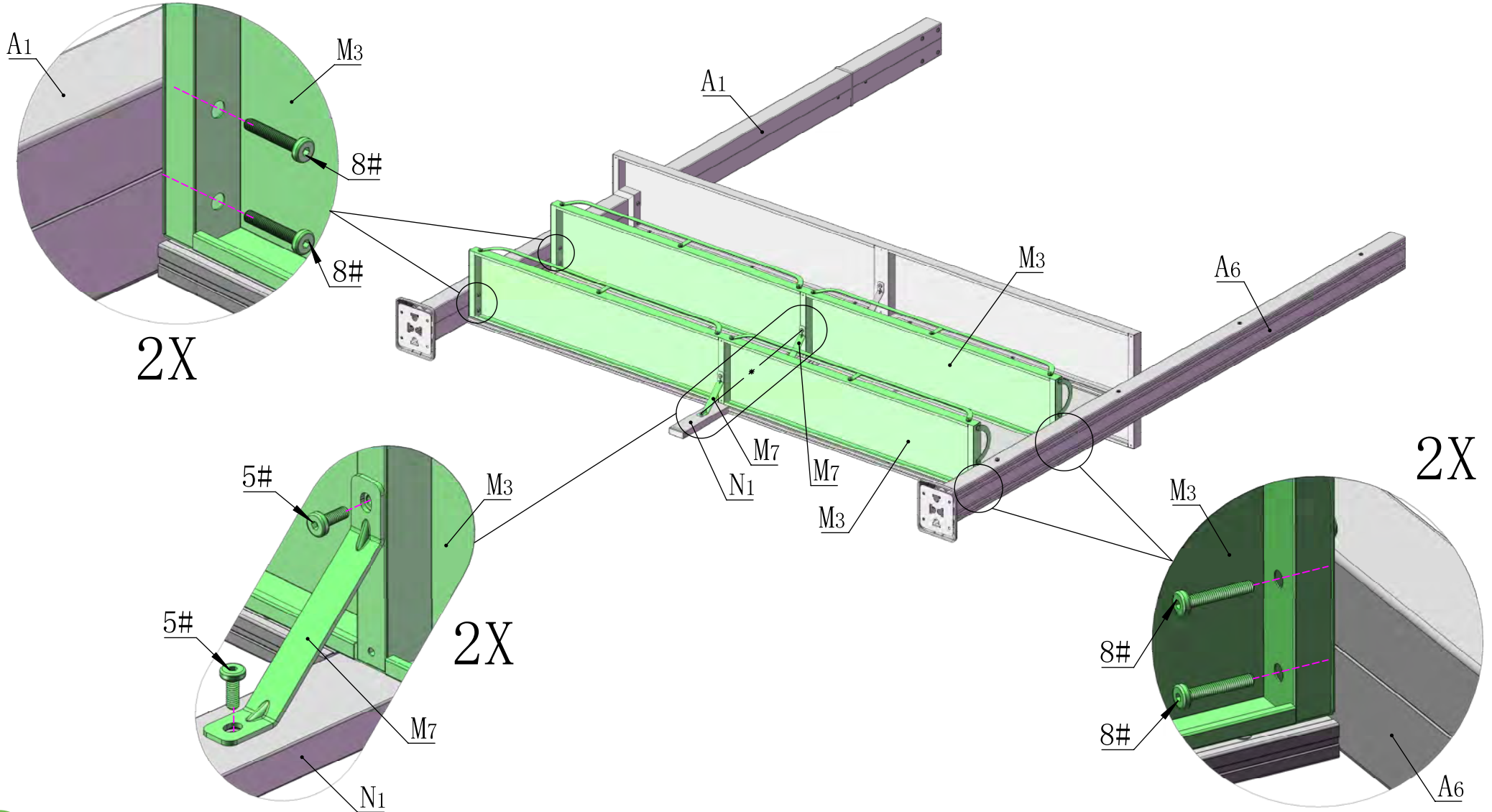
M6*35

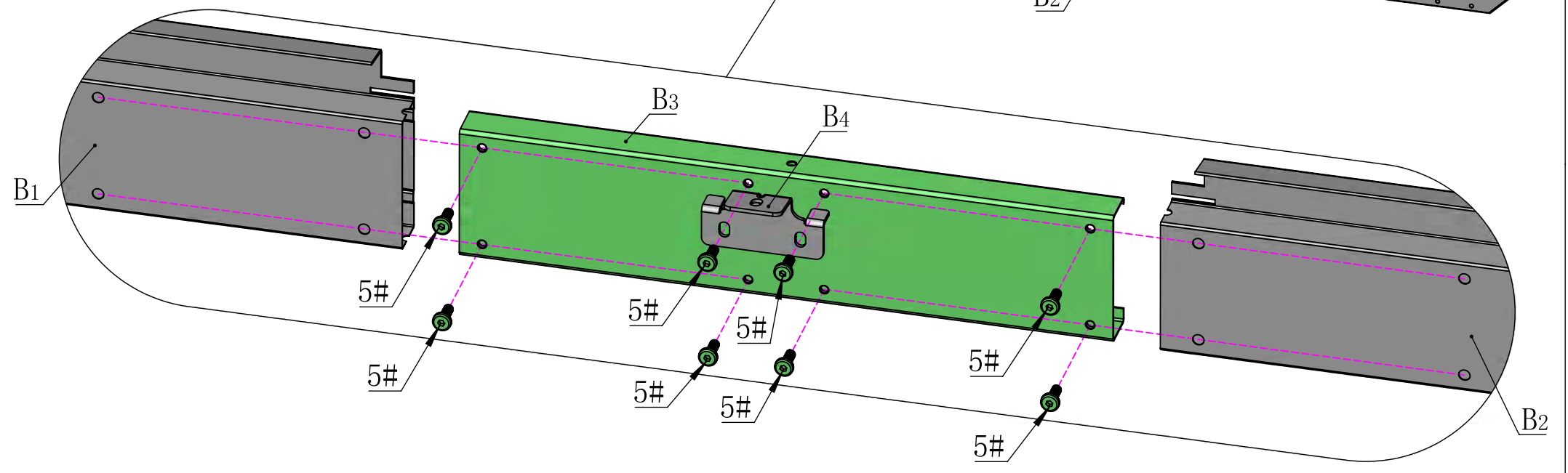
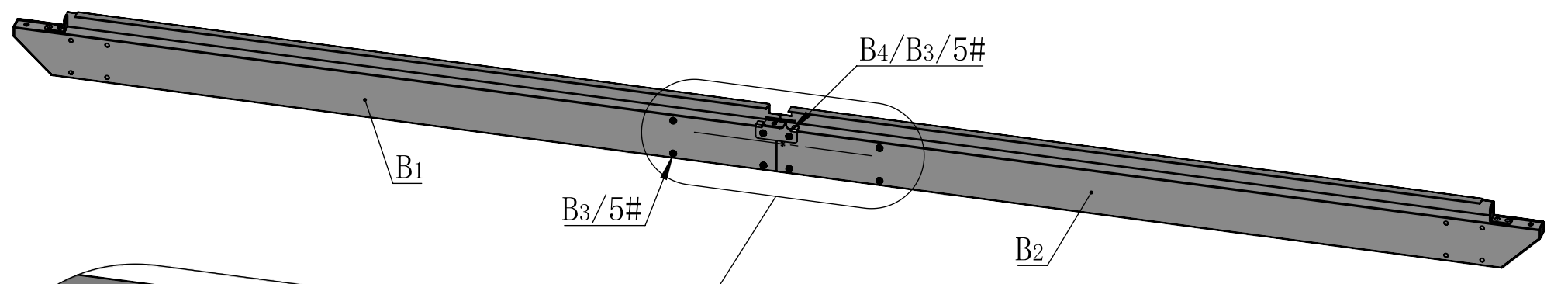
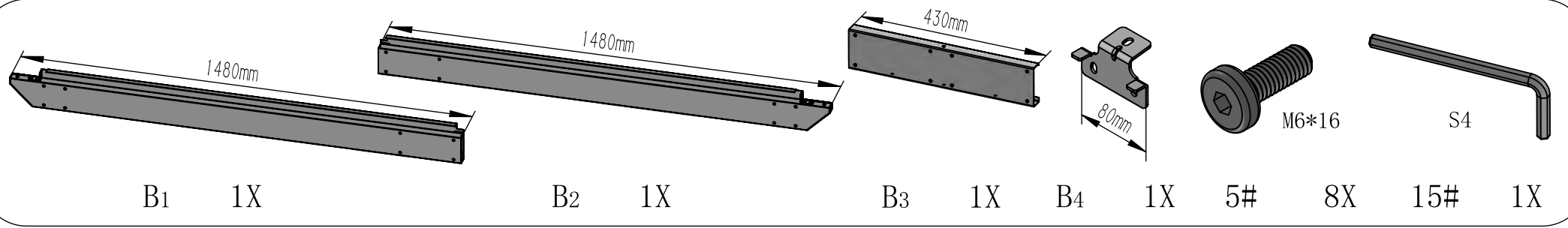
8# 8X

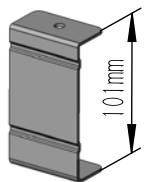


S4

15# 1X







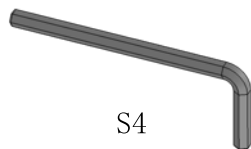
B5 1X



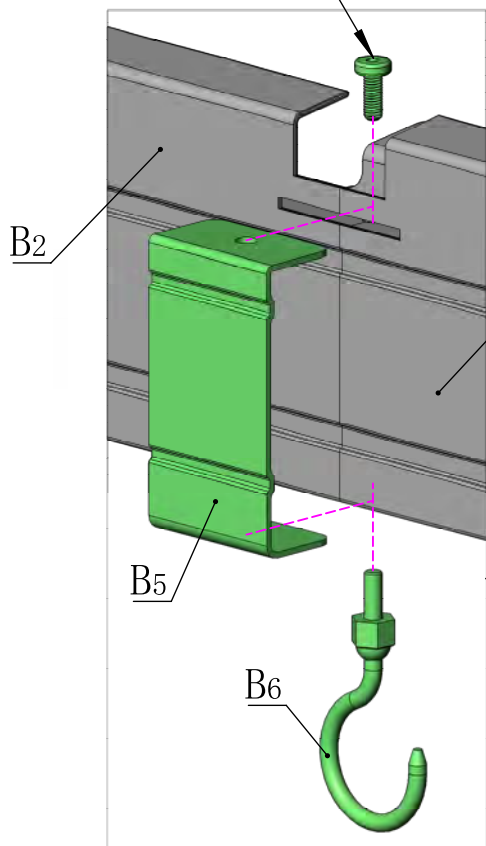
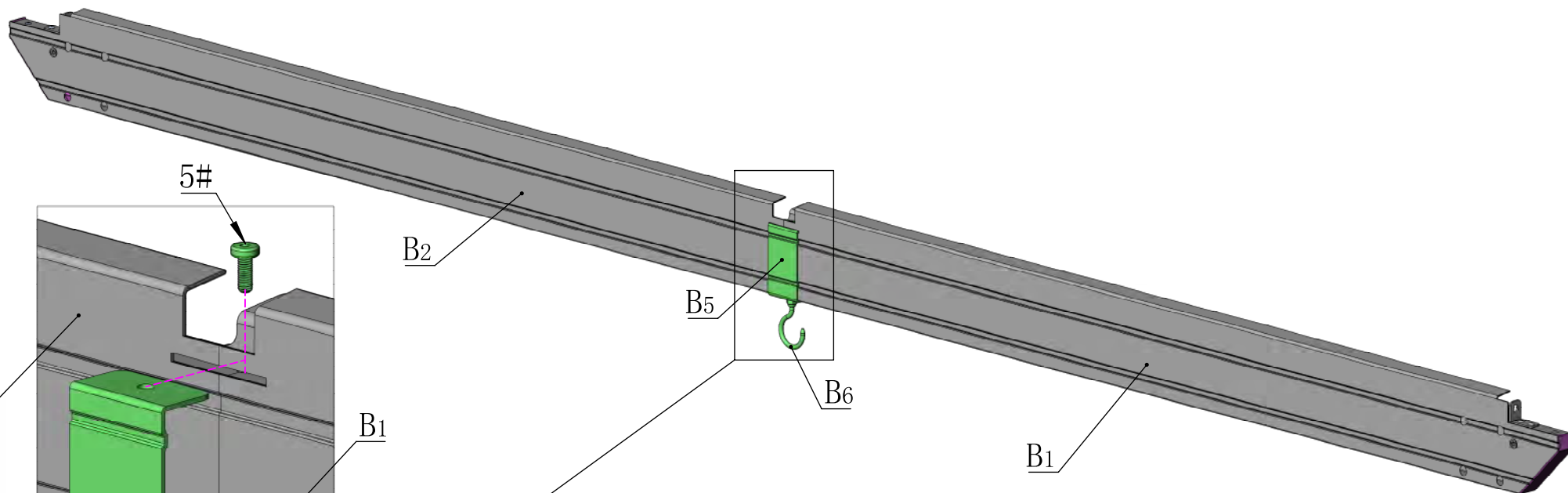
B6 1X

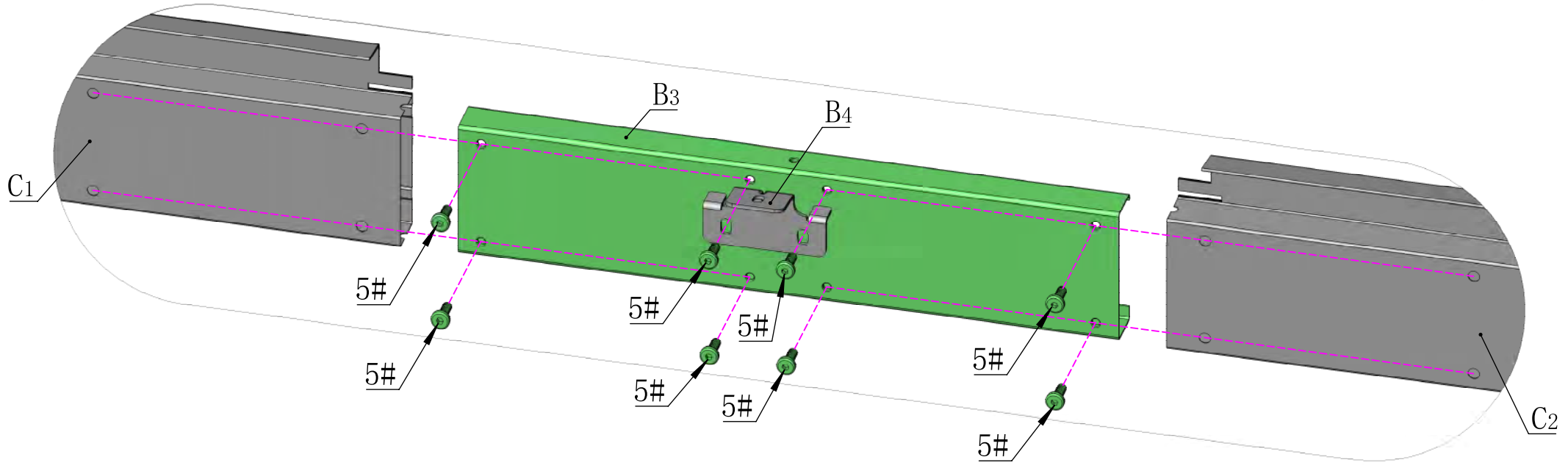
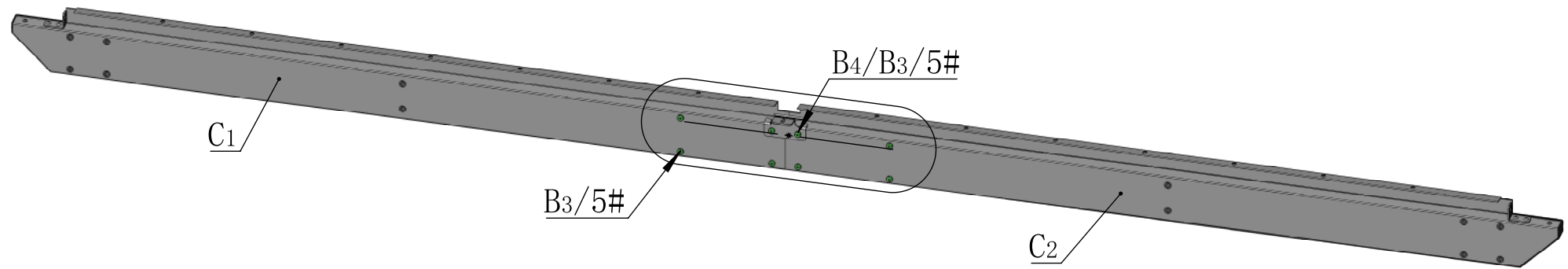
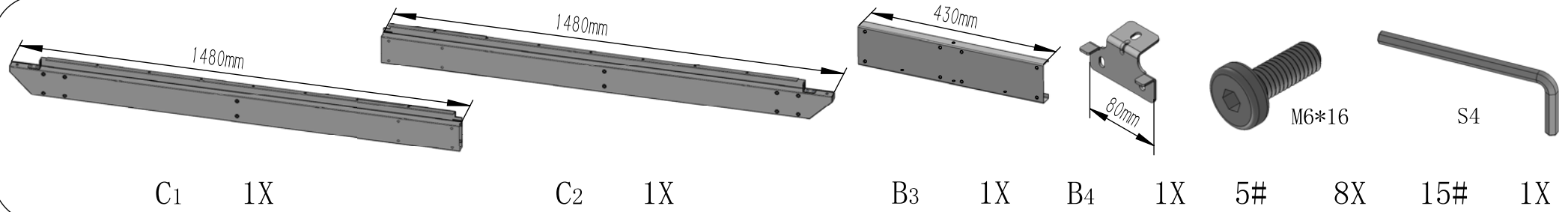


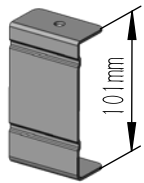
5# 1X



S4 1X







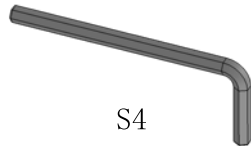
B5 1X



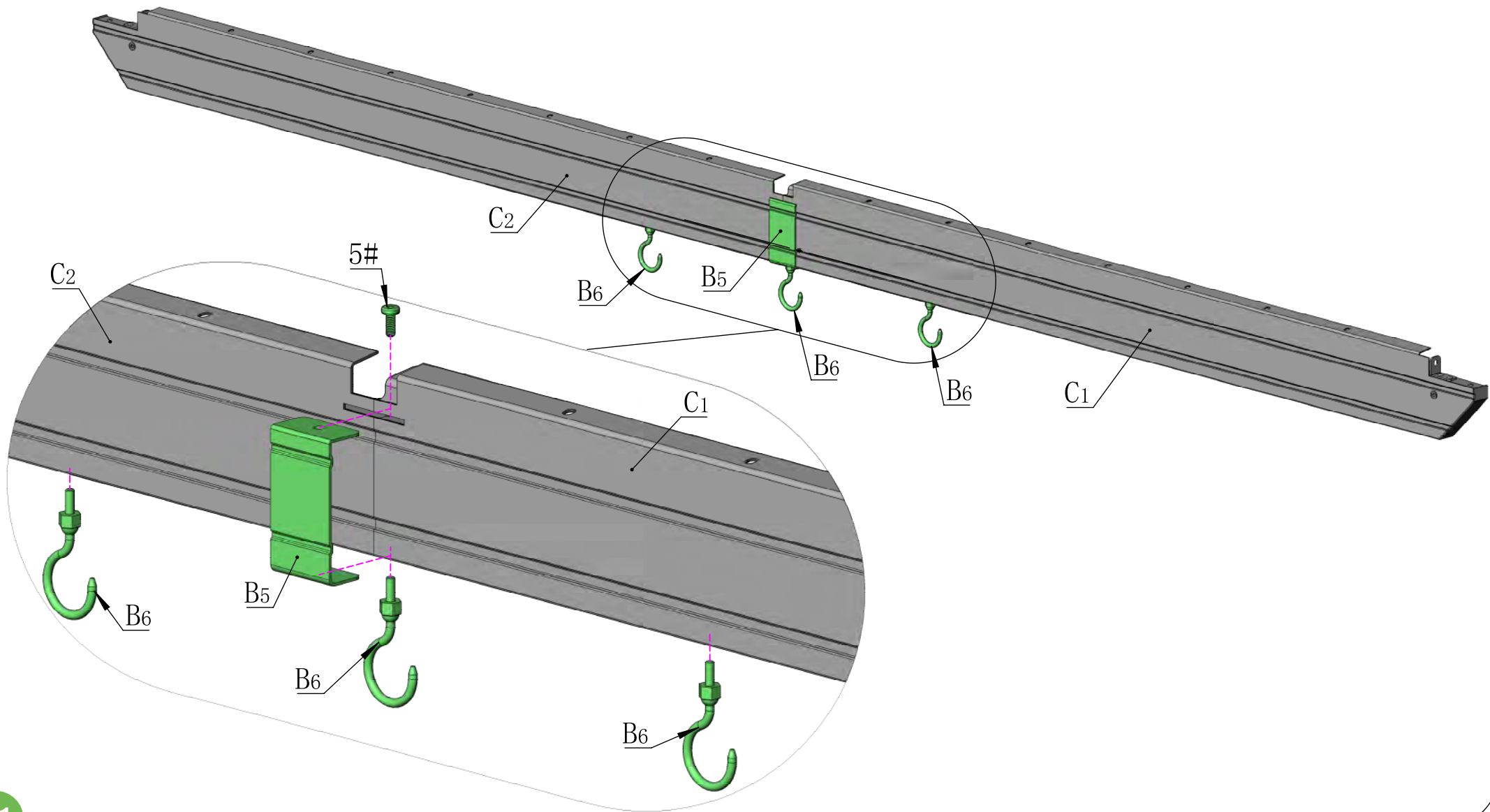
B6 3X

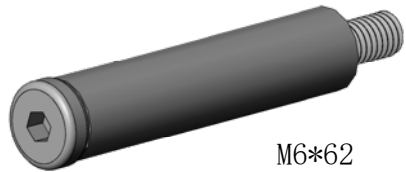


M6*16
5# 1X



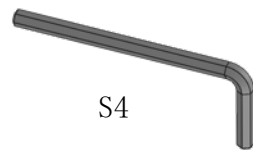
S4
15# 1X





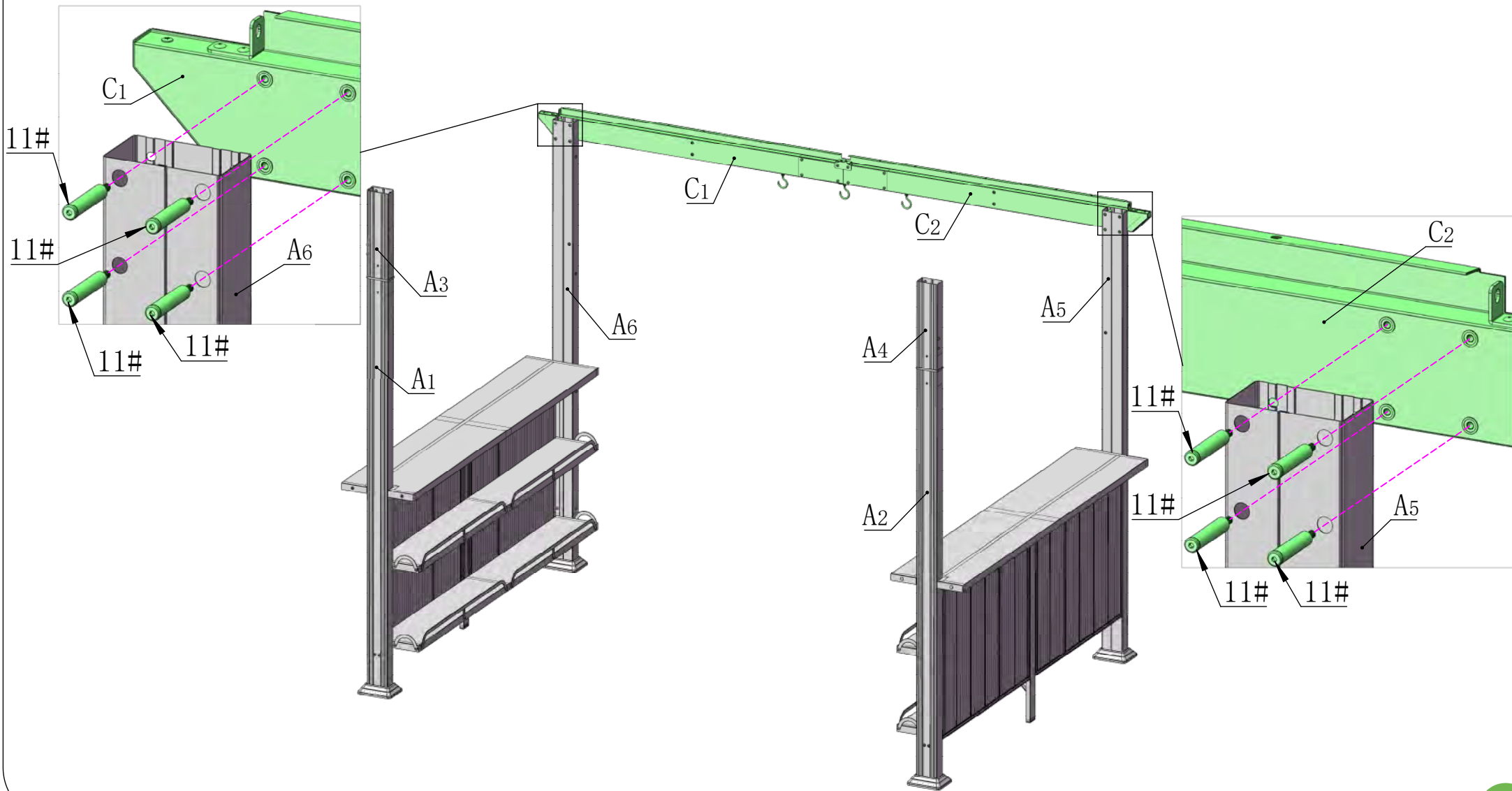
M6*62

11# 8X



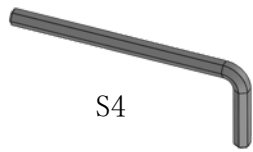
S4

15# 1X





M6*40



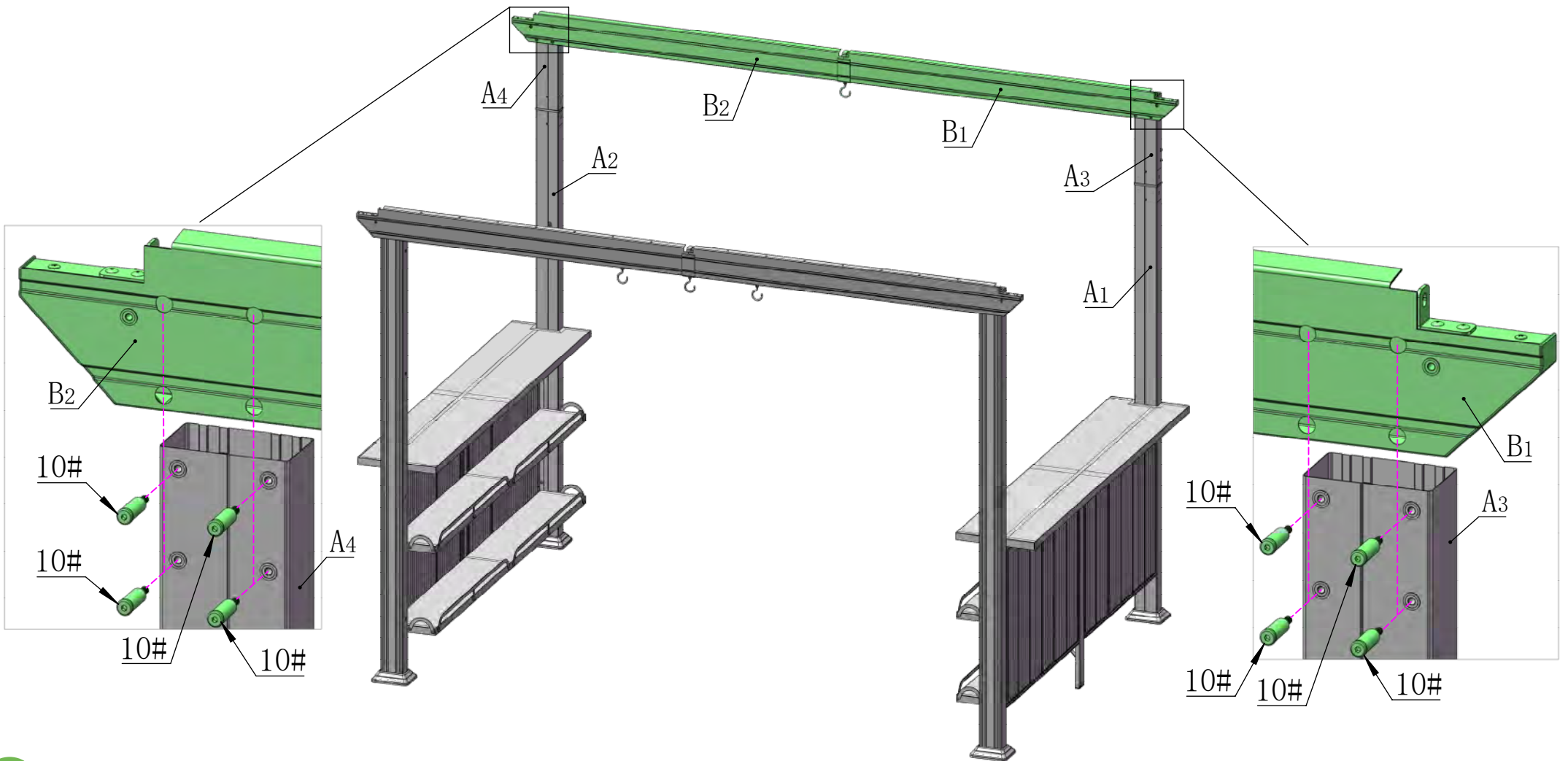
S4

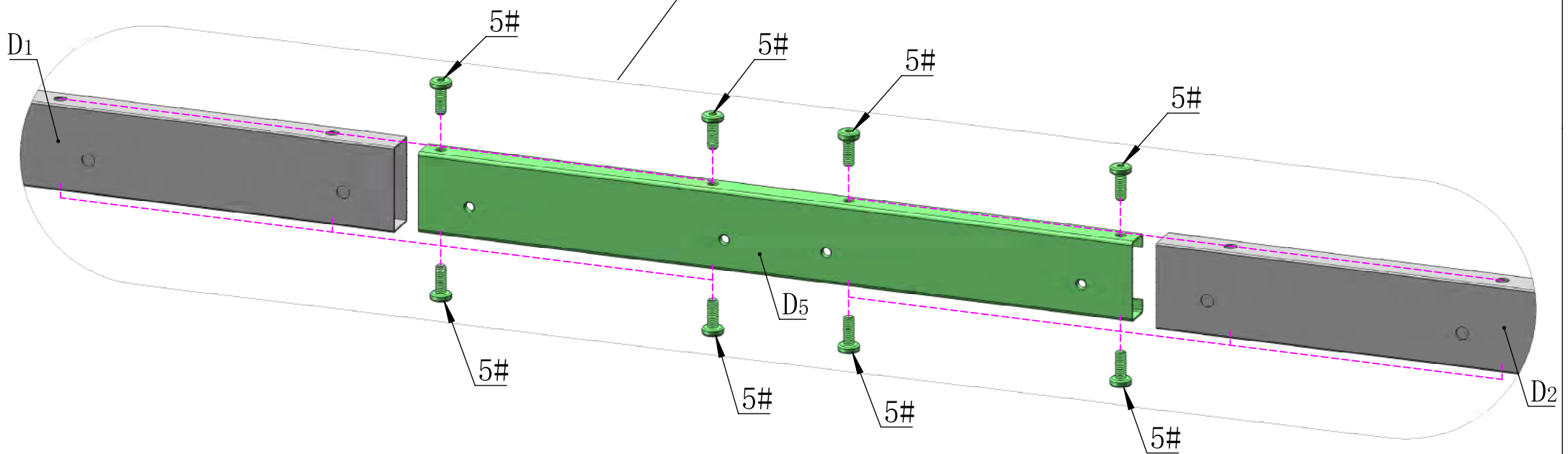
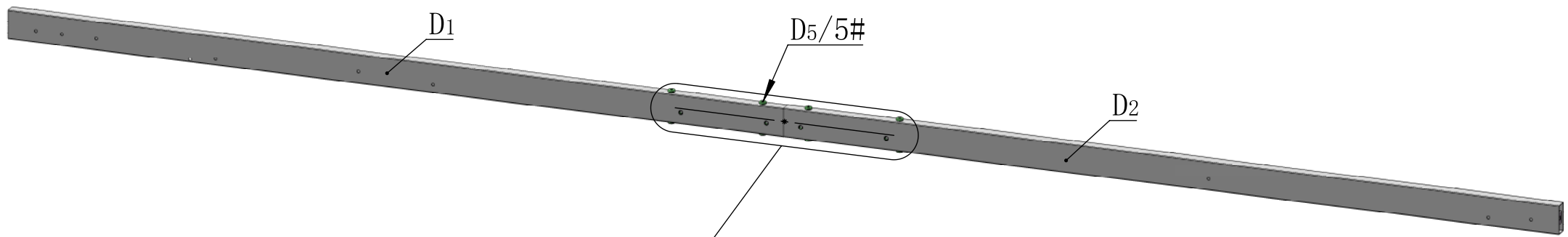
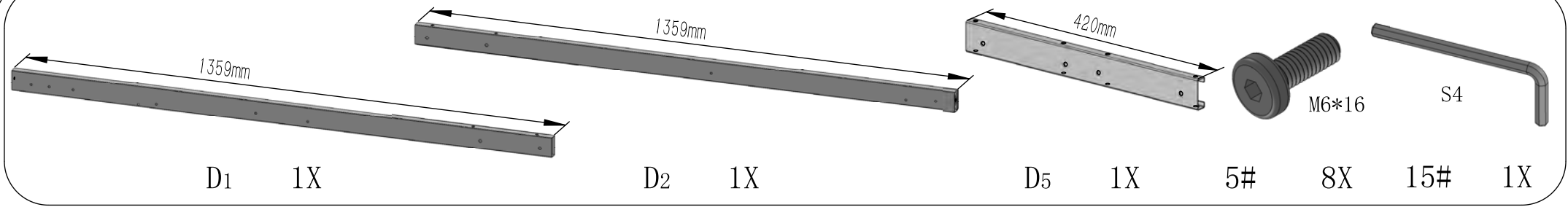
10#

8X

15#

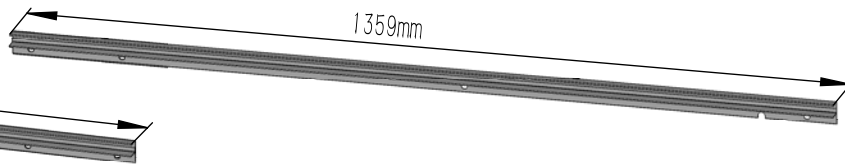
1X



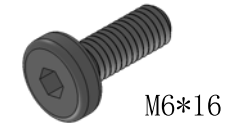




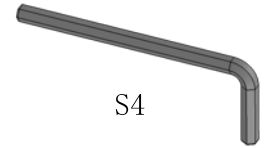
D3 1X



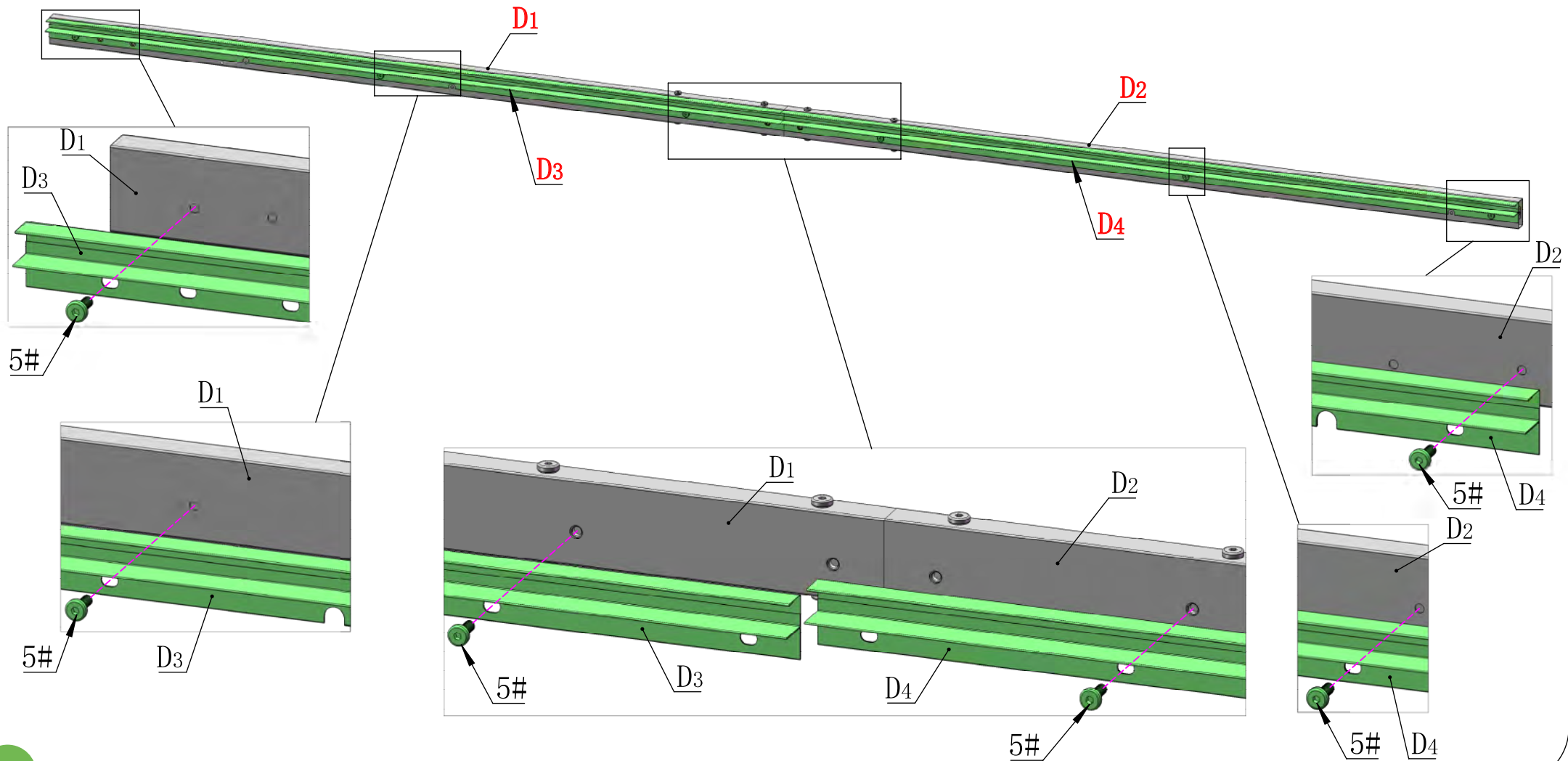
D4 1X

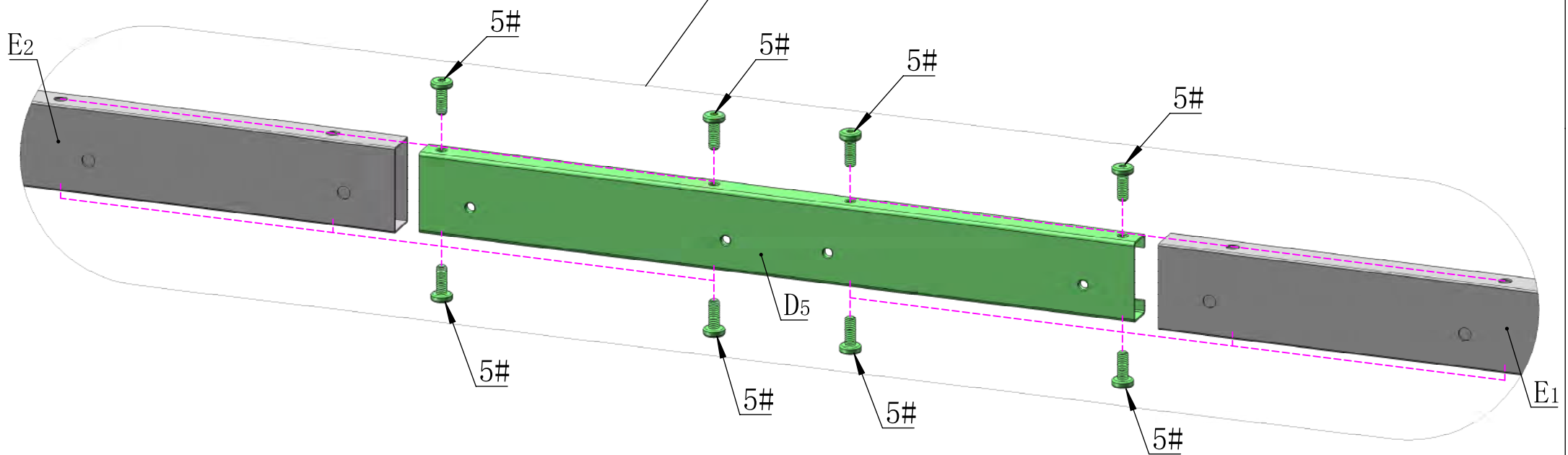
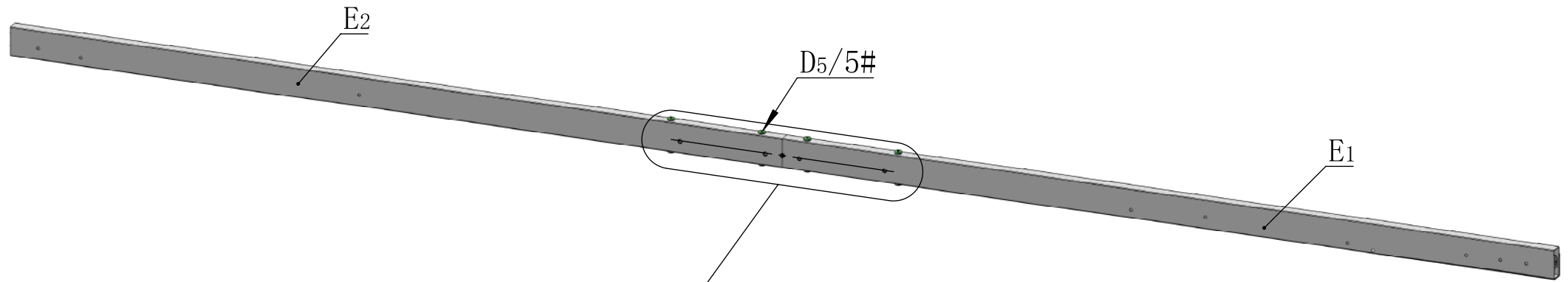
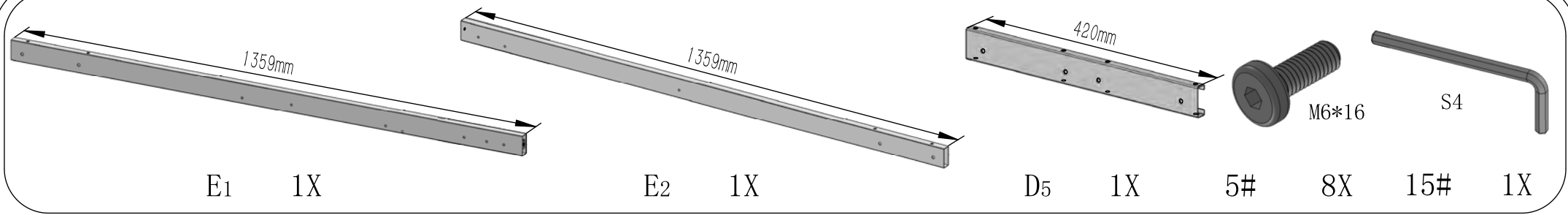


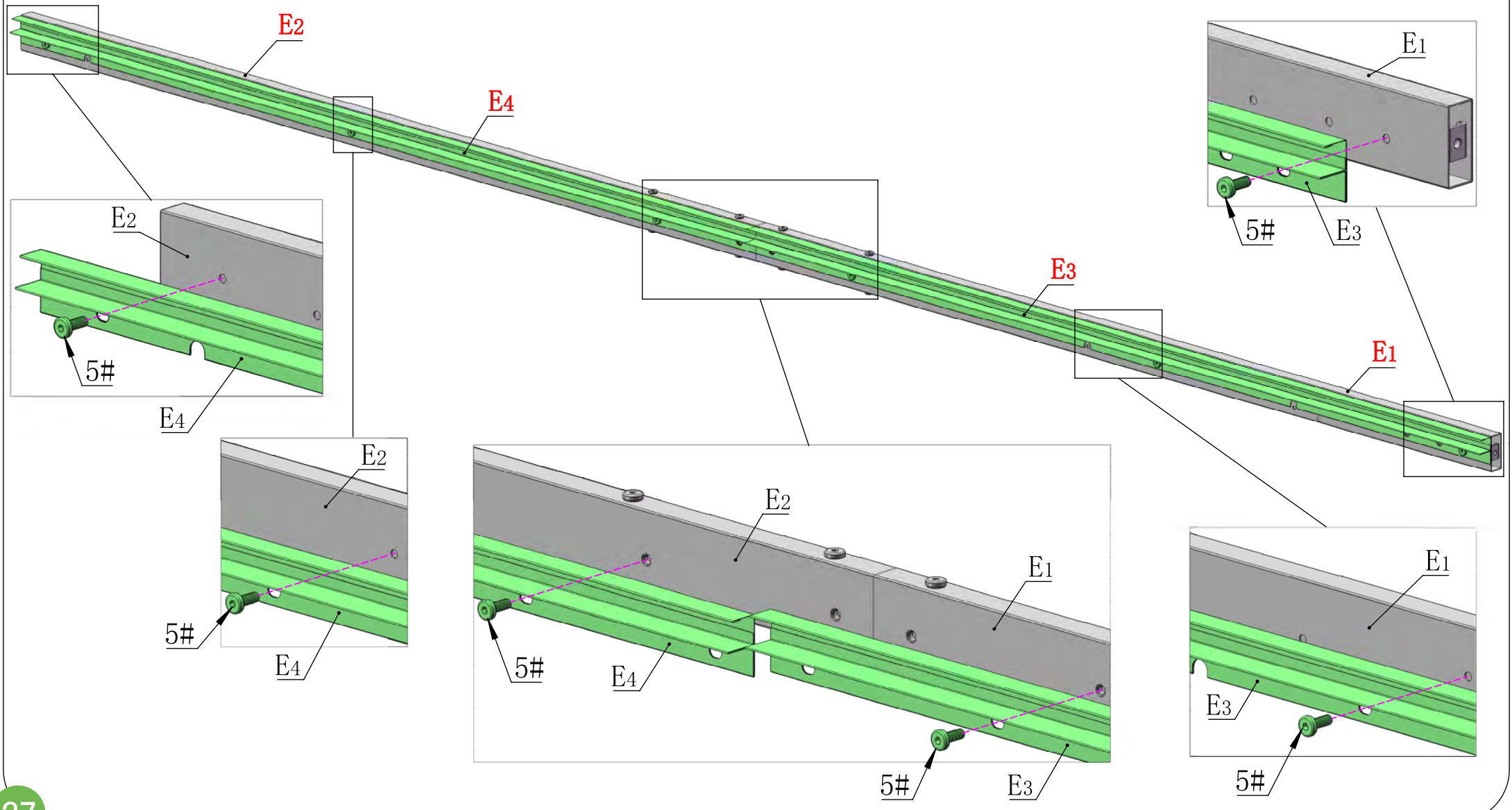
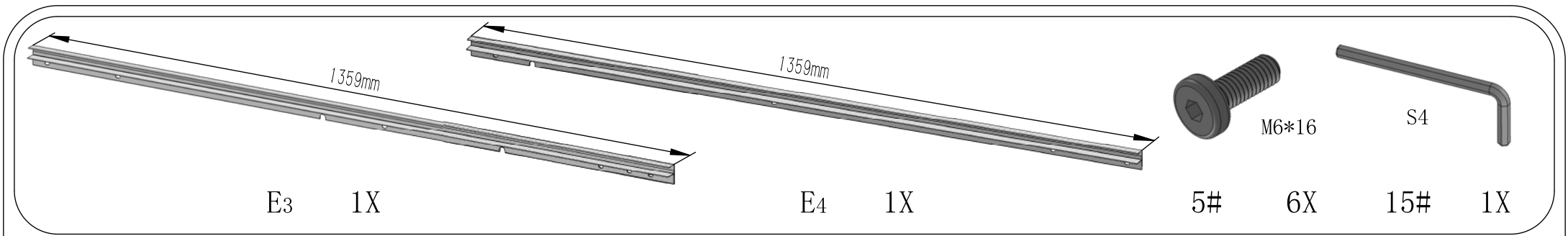
5# 6X

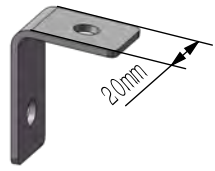


15# 1X









D7

4X

5#

8X

15#

1X

2X

5#

D1/E1

B1/B2

D7

5#

2X

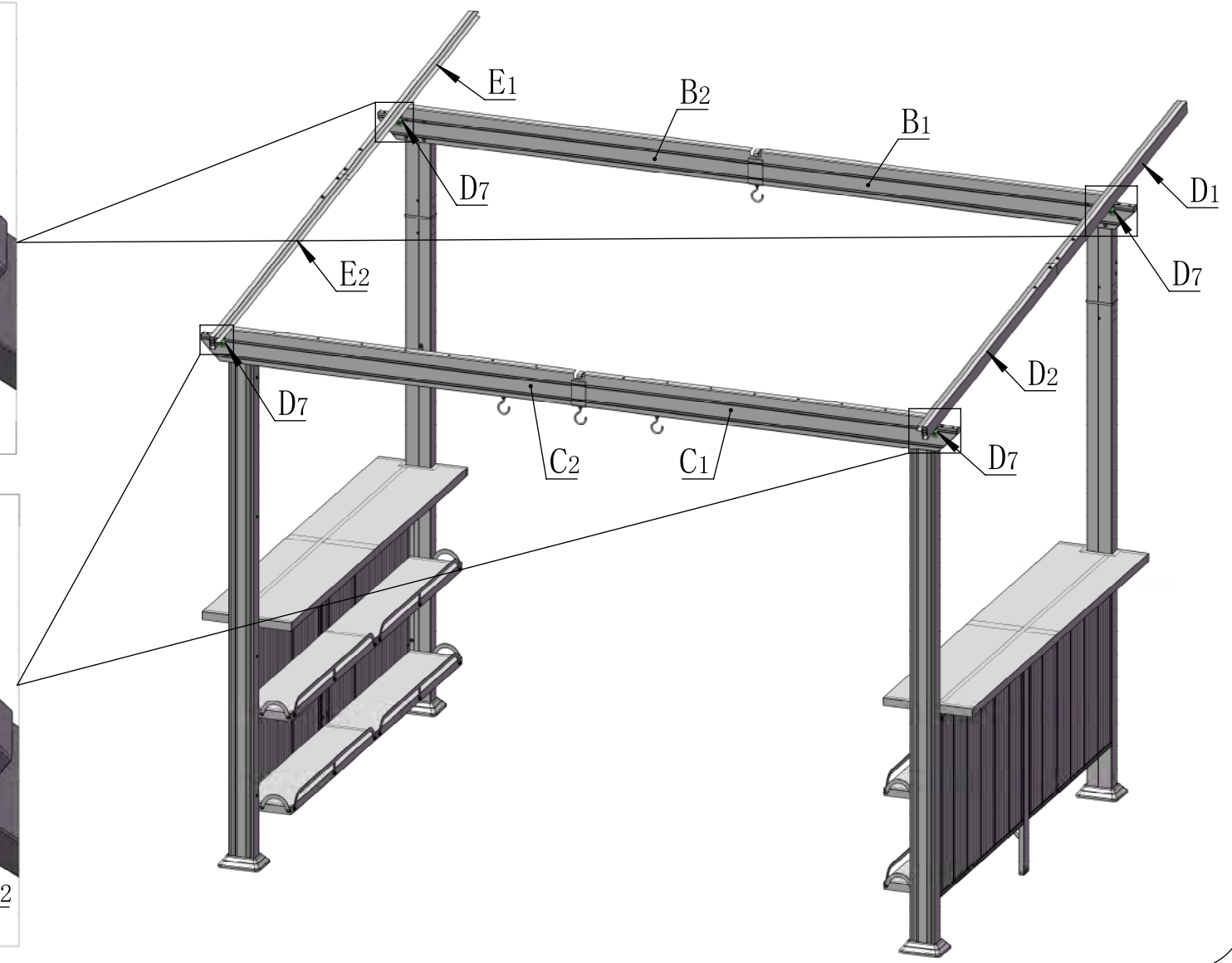
5#

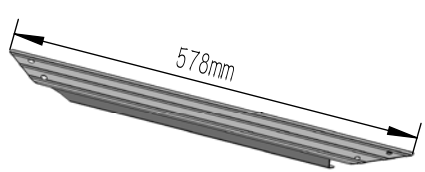
5#

D2/E2

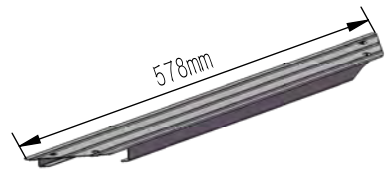
C1/C2

D7

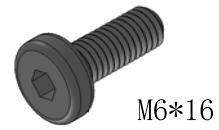




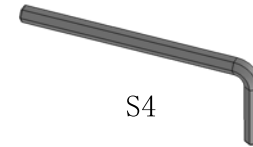
Q1 1X



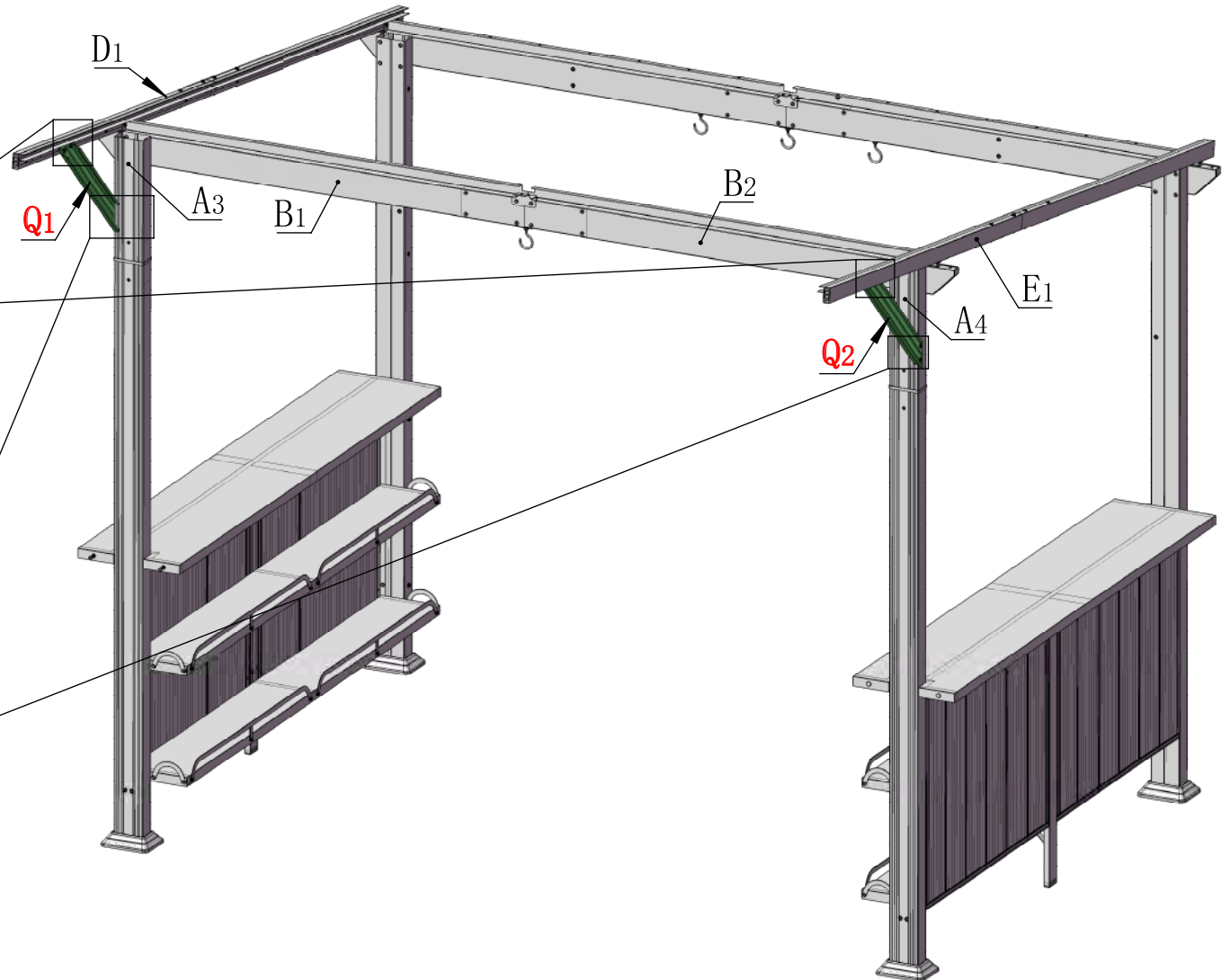
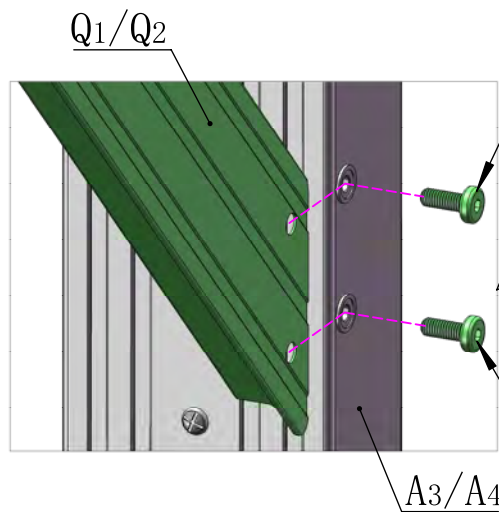
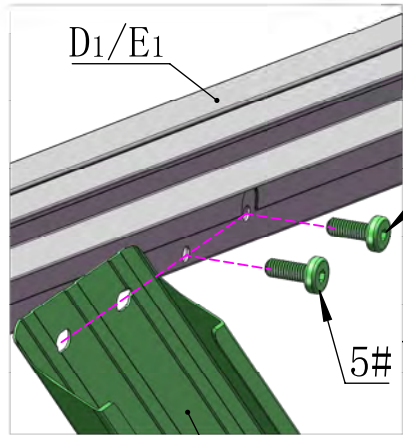
Q2 1X

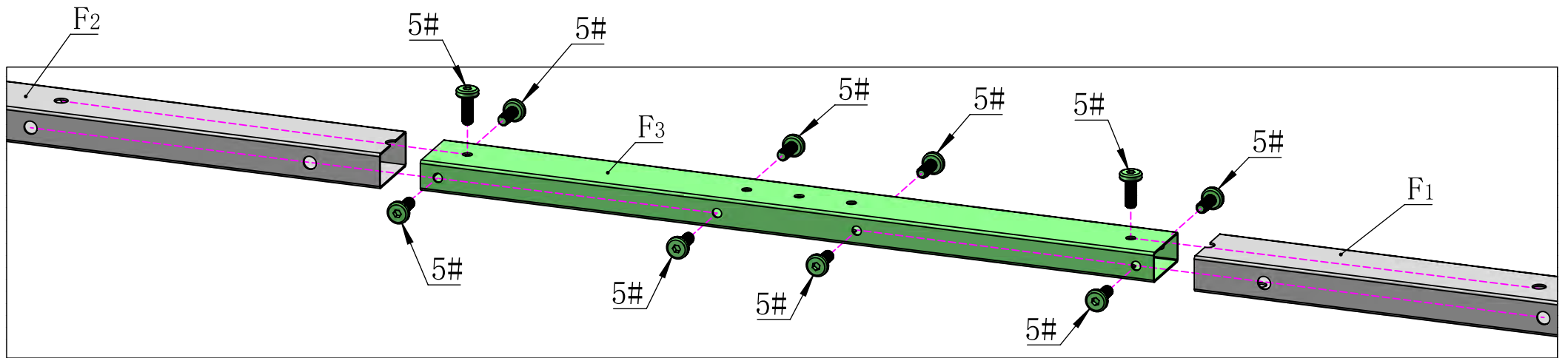
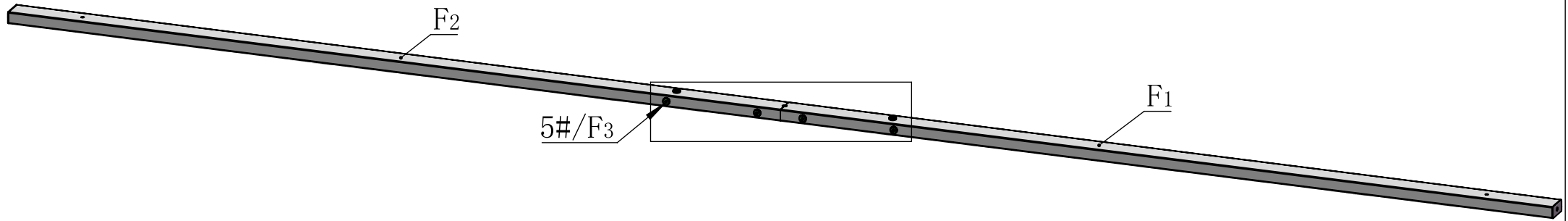
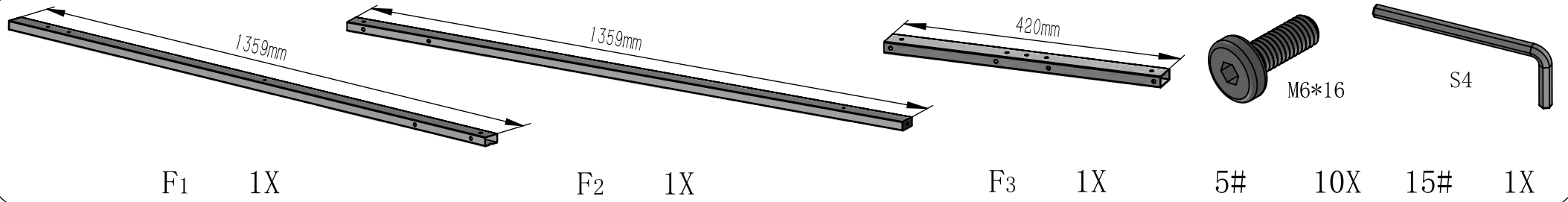


5# 8X



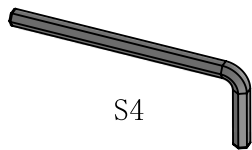
S4 15# 1X







M6*16



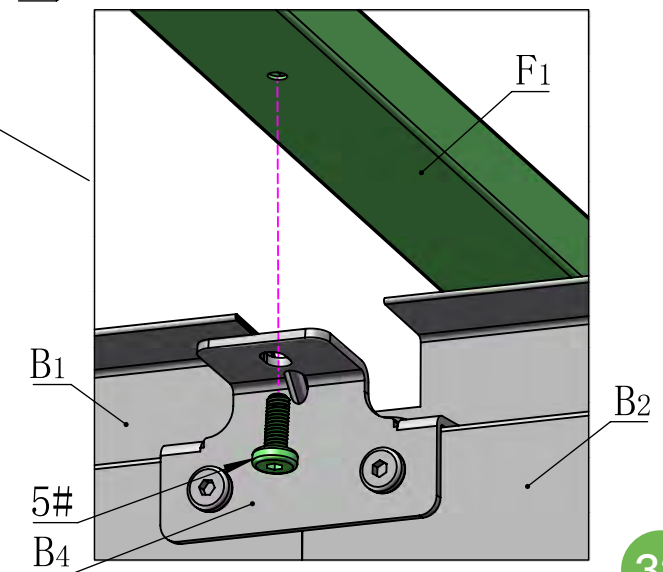
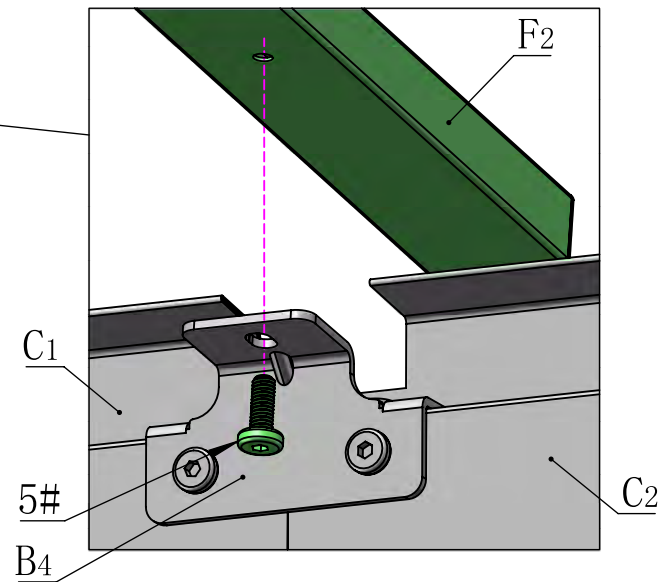
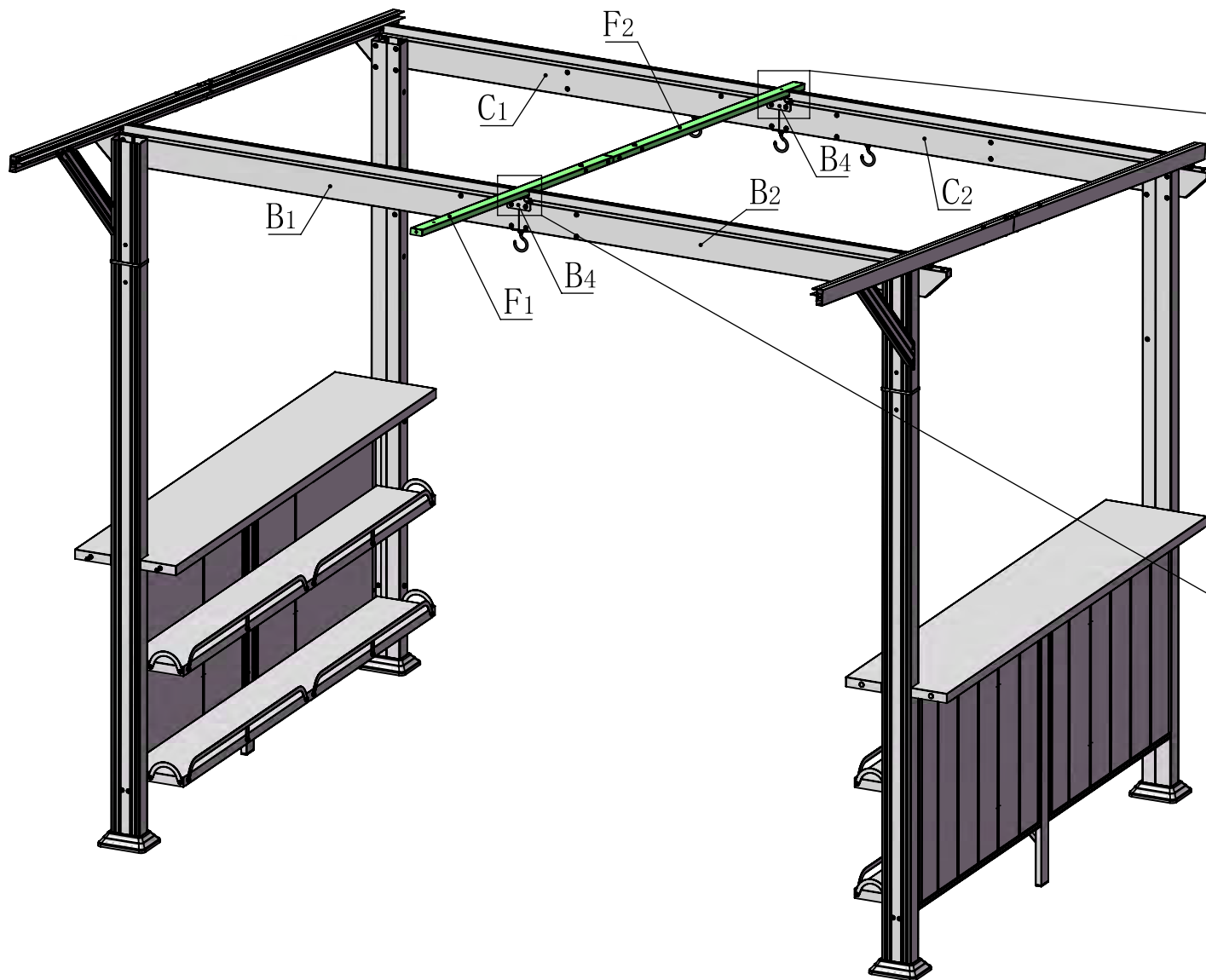
S4

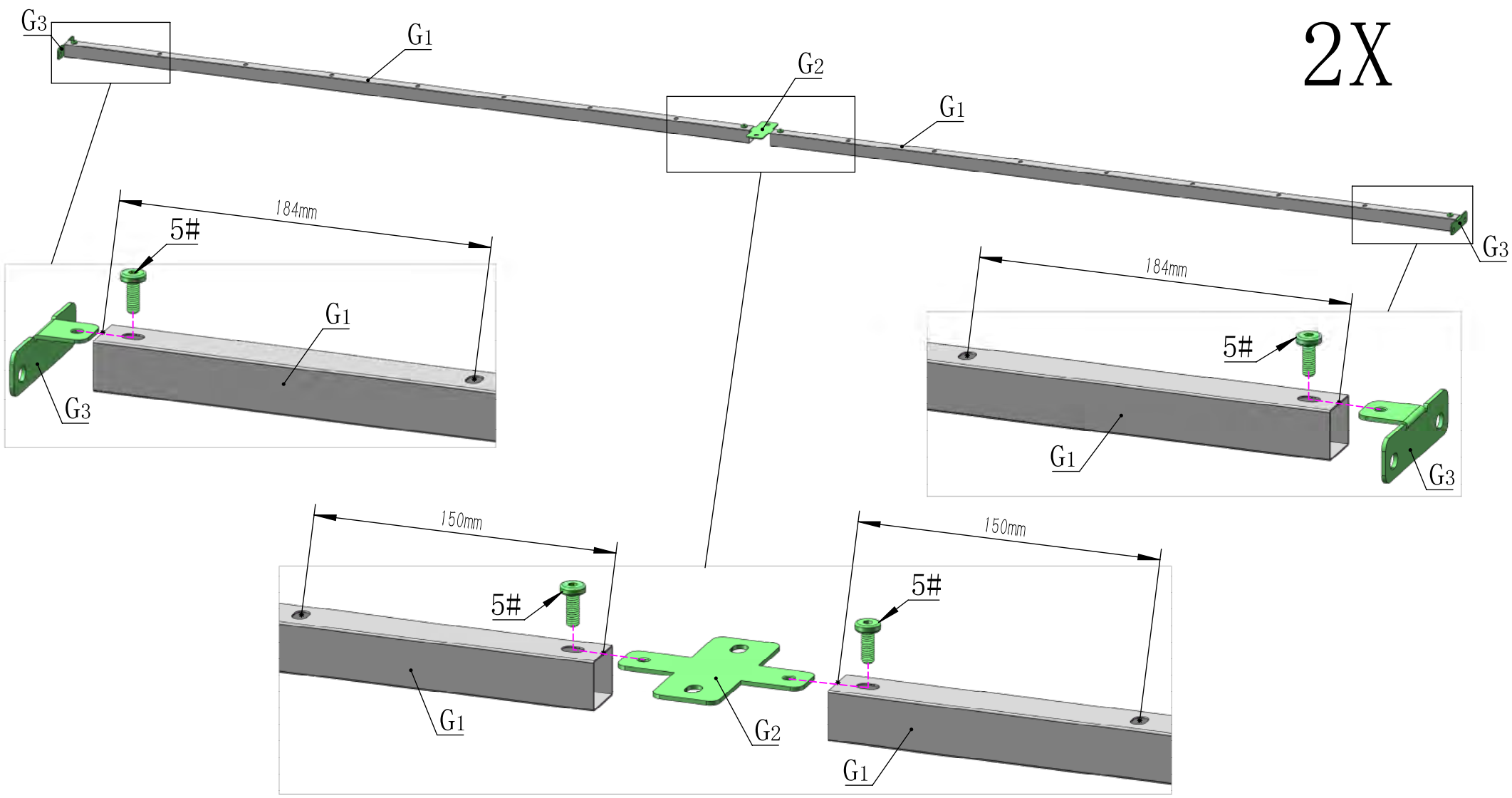
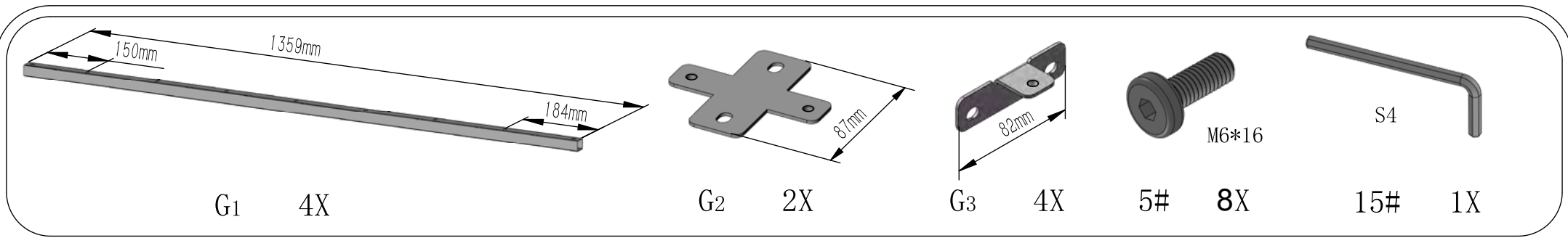
5#

2X

15#

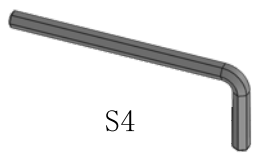
1X







M6*16



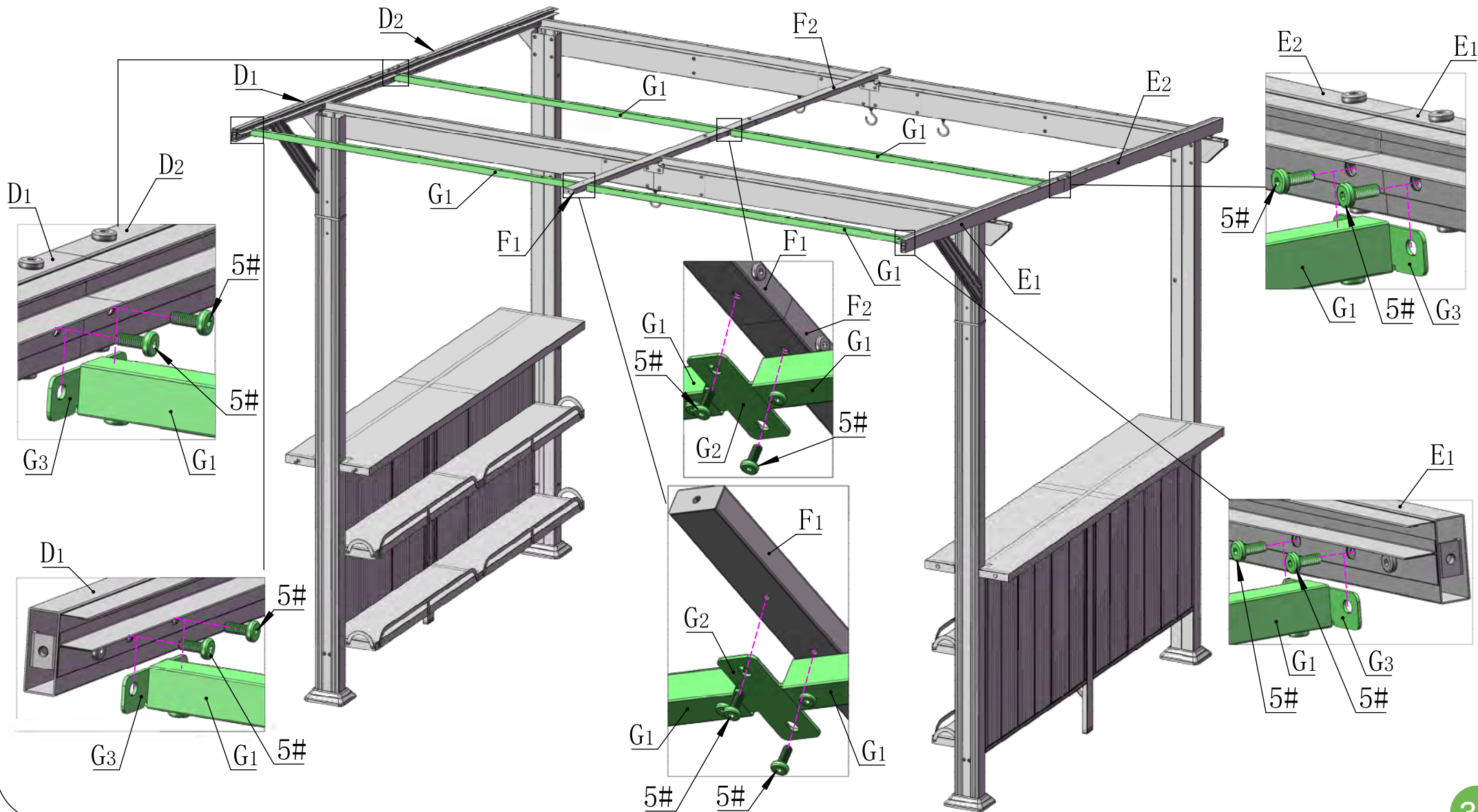
S4

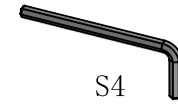
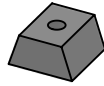
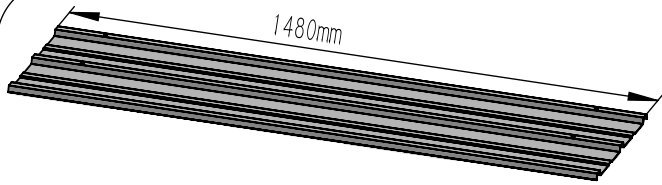
5#

12X

15#

1X





I1 1X

7# 1X

12# 1X

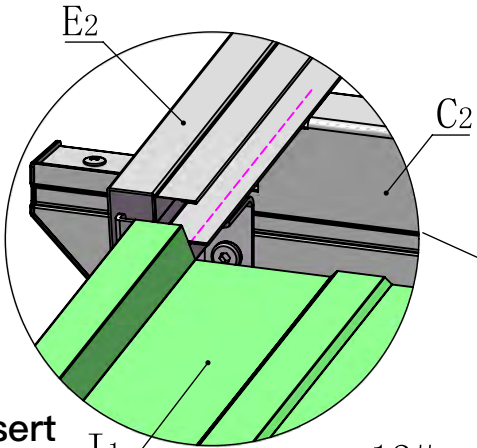
13# 1X

14# 1X

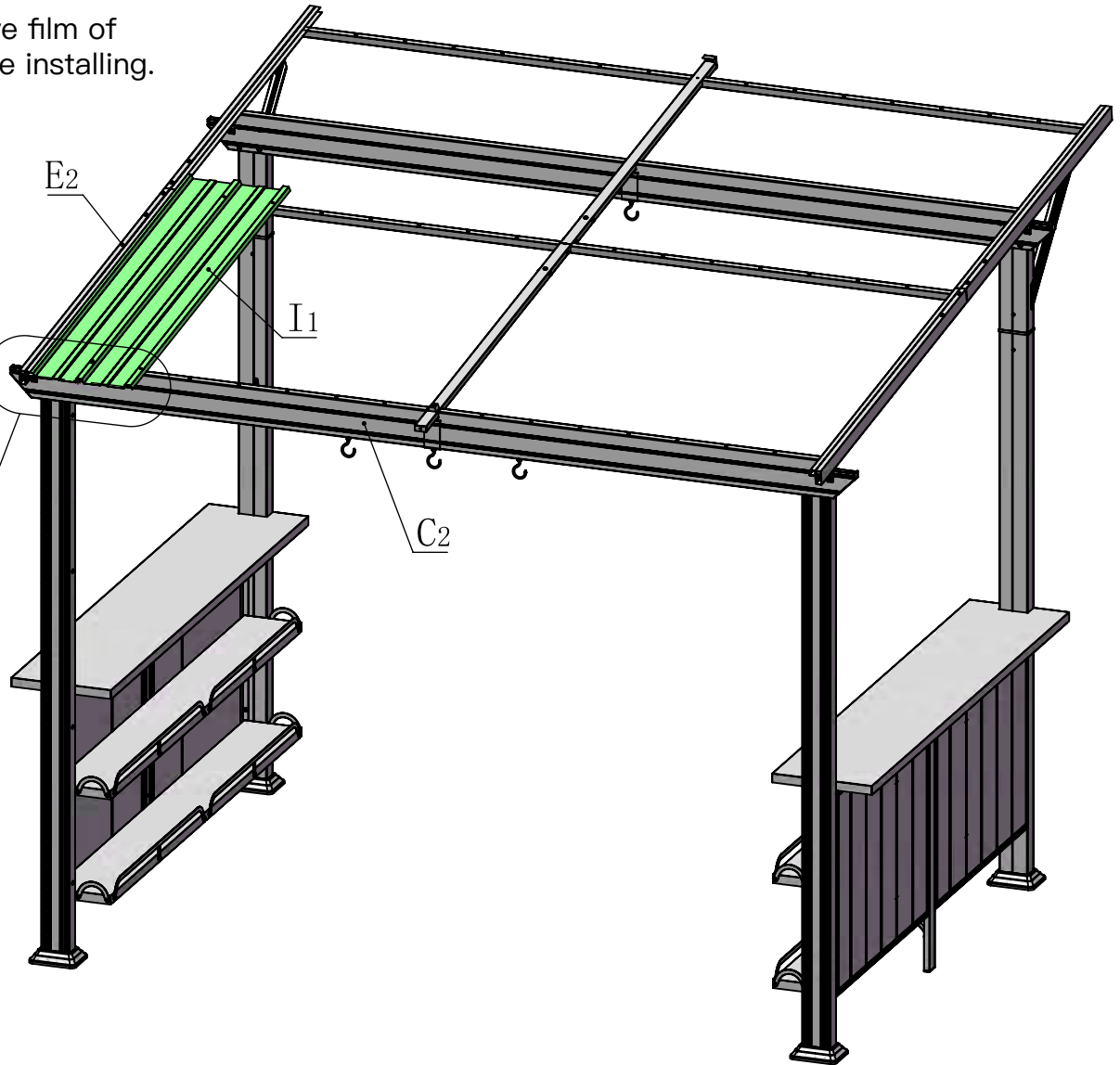
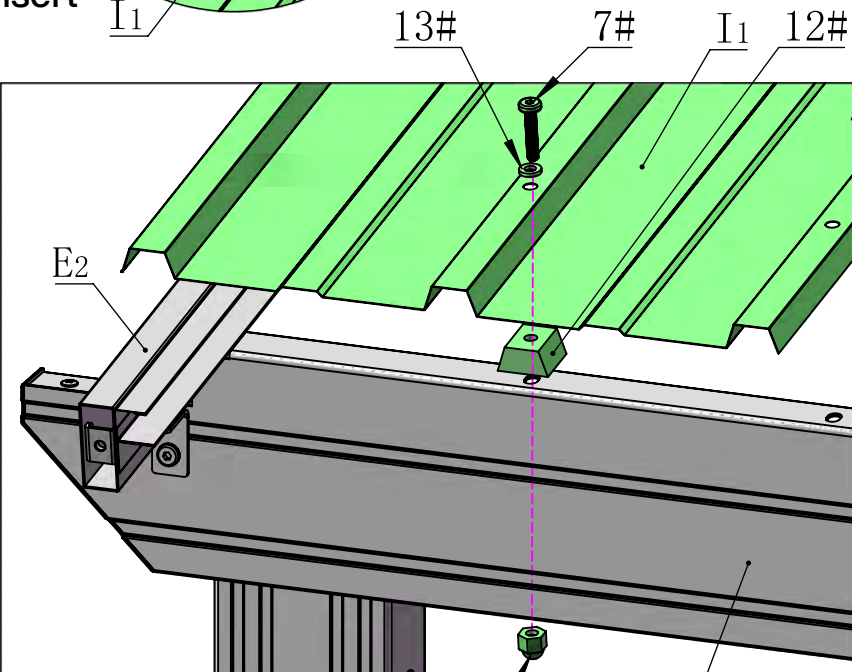
15# 1X

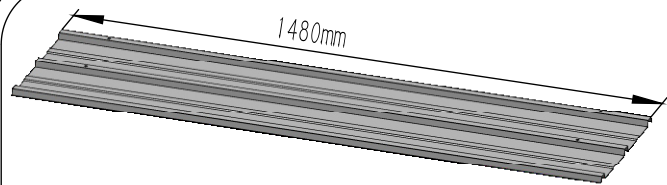
16# 1X

Remove the protective film of the roof panels before installing.



Insert



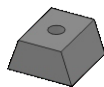


I₁ 1X



M6*50

9# 2X



12# 2X



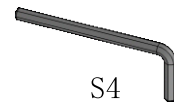
D12/d6. 2*H2

13# 2X



M6

14# 2X



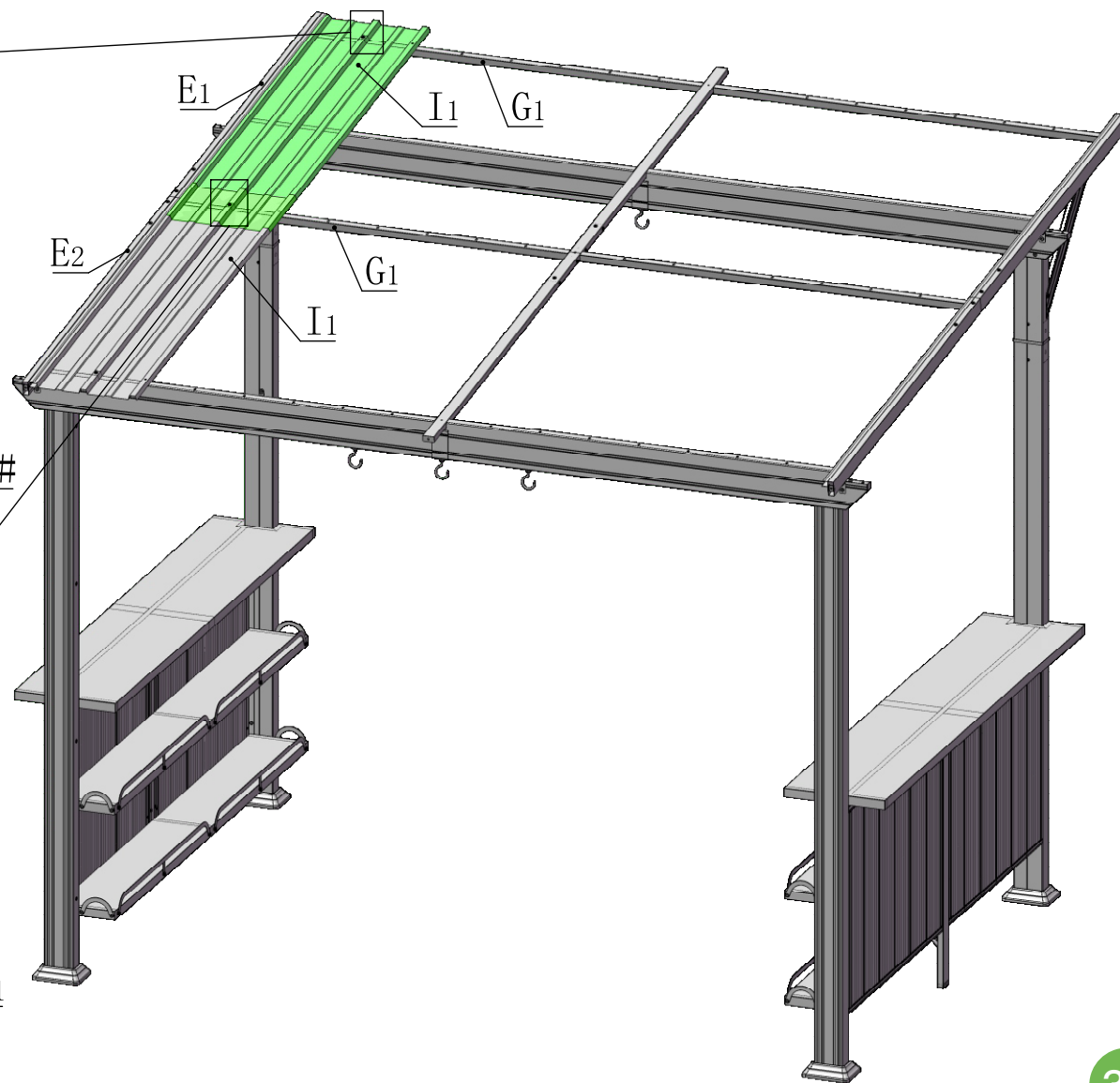
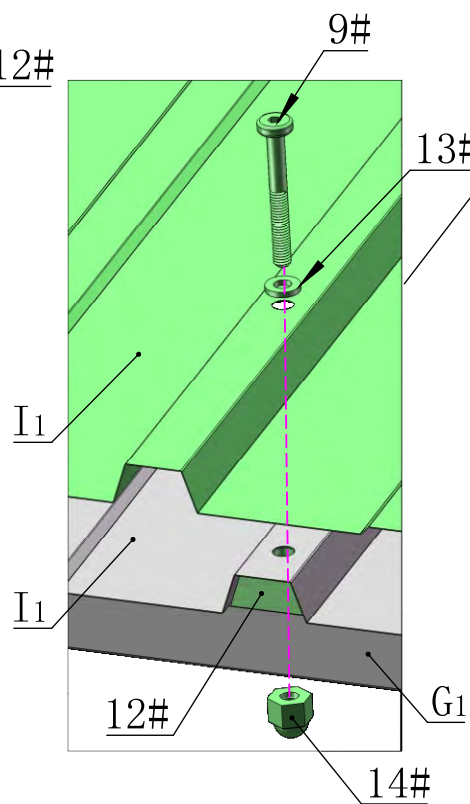
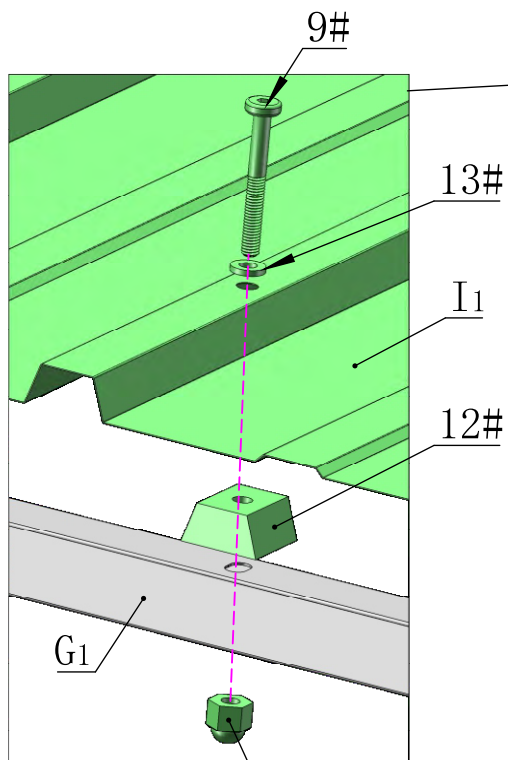
S4

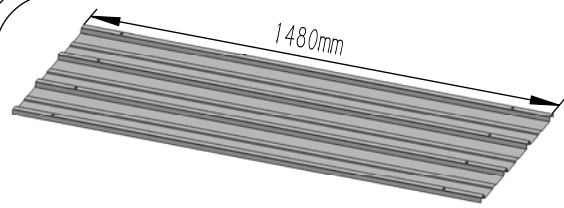
15# 1X



S13

16# 1X





I2 2X



M6*30

7#

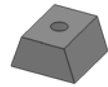
3X



M6*50

9#

6X



12#

9X



D12/d6. 2*H2

13#

9X



M6

14#

9X



S4

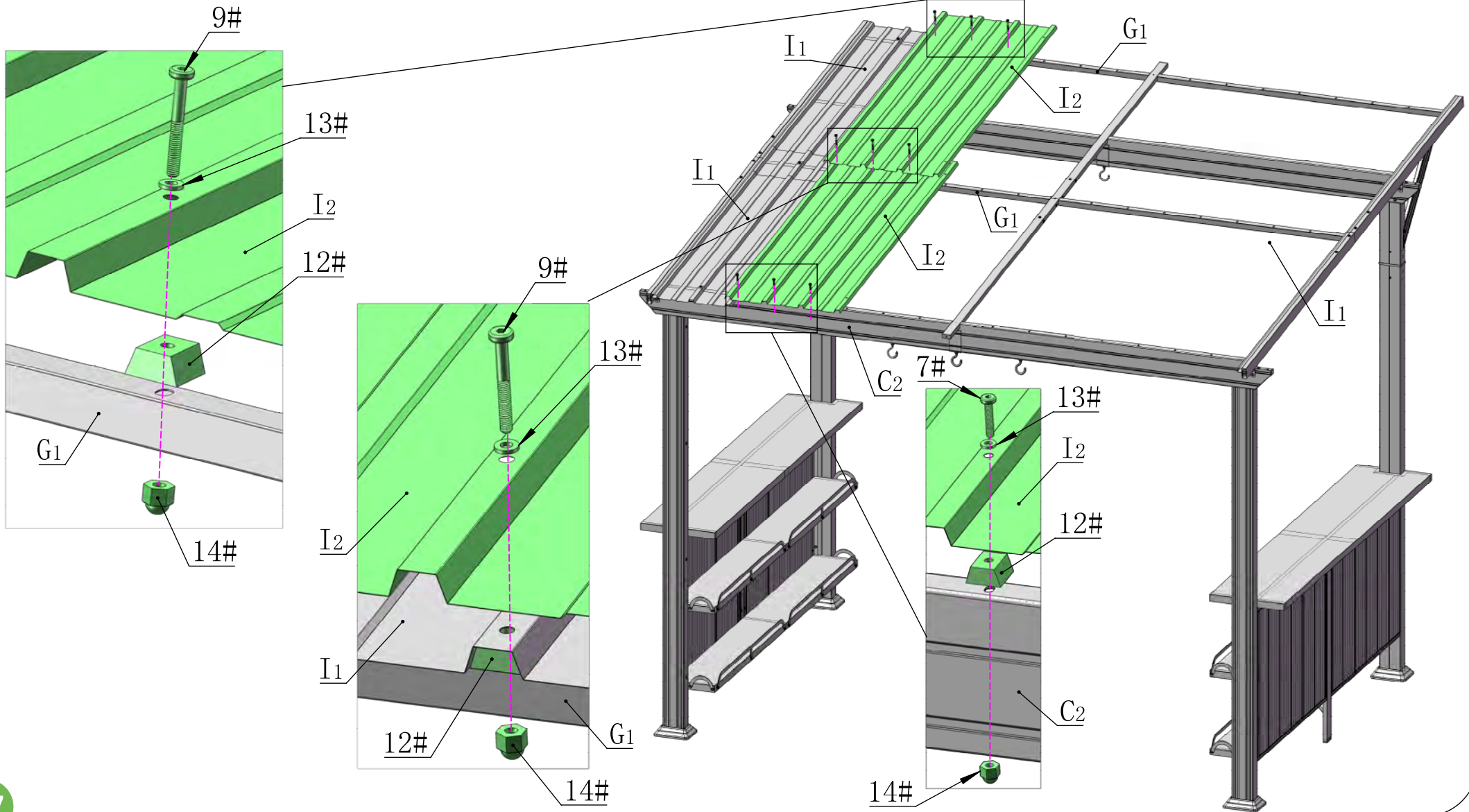
15#

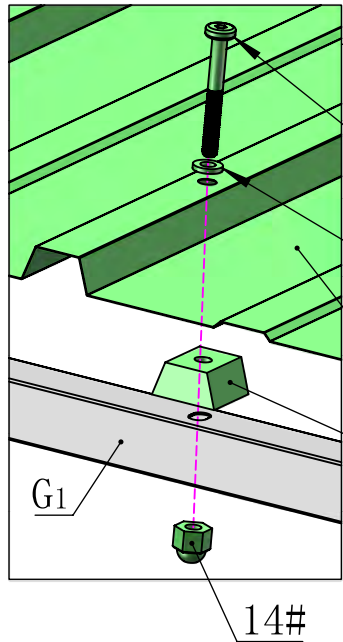
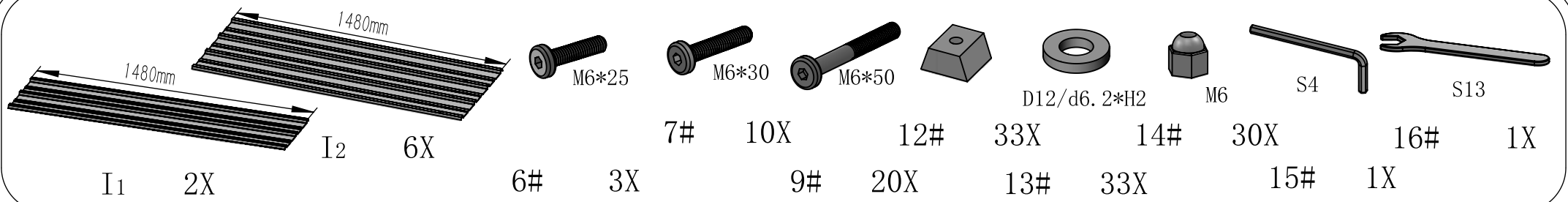


S13

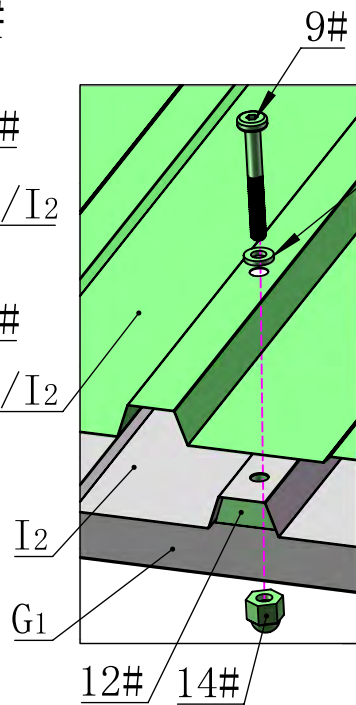
16#

1X

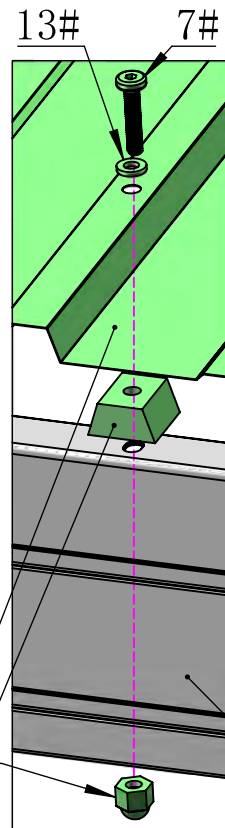




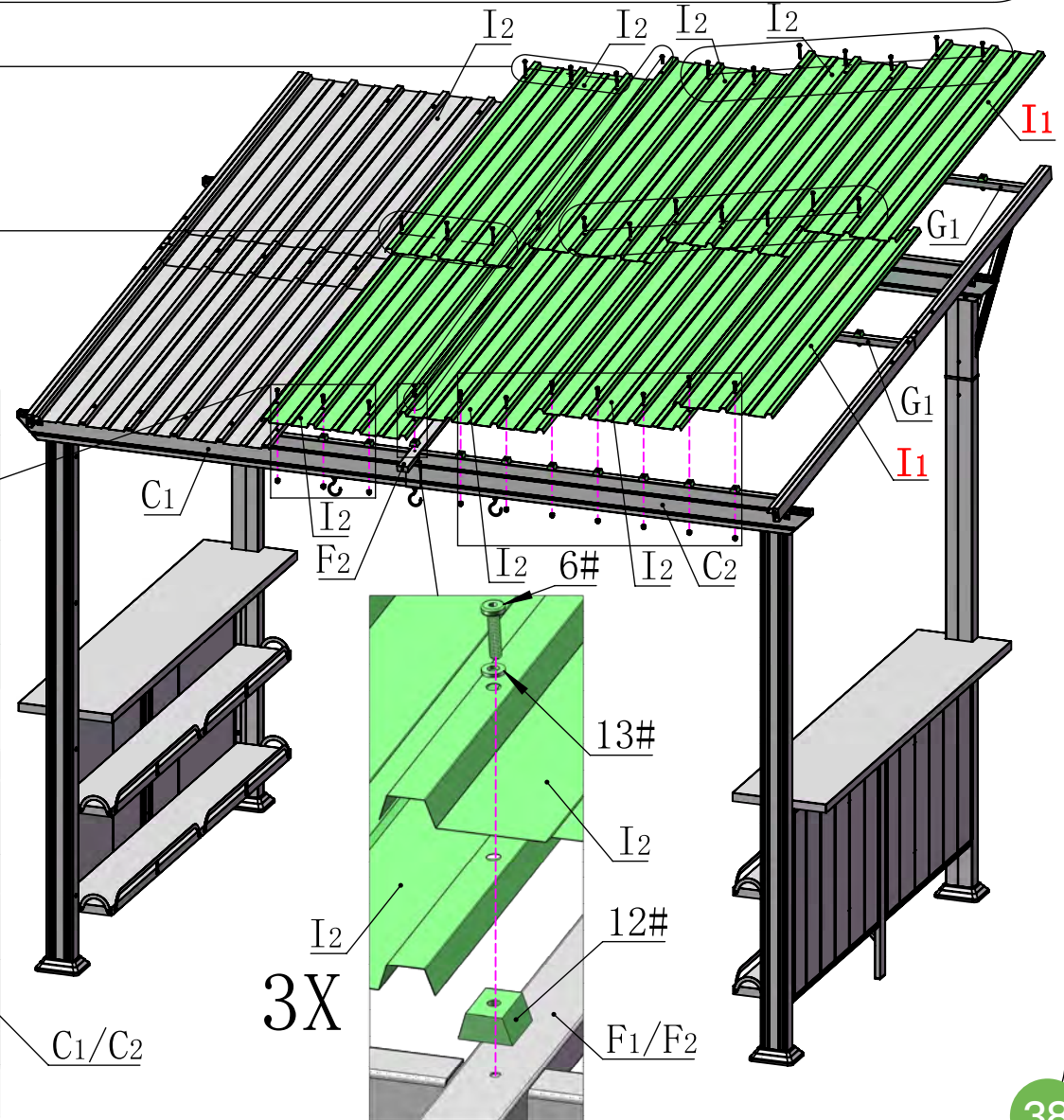
10X



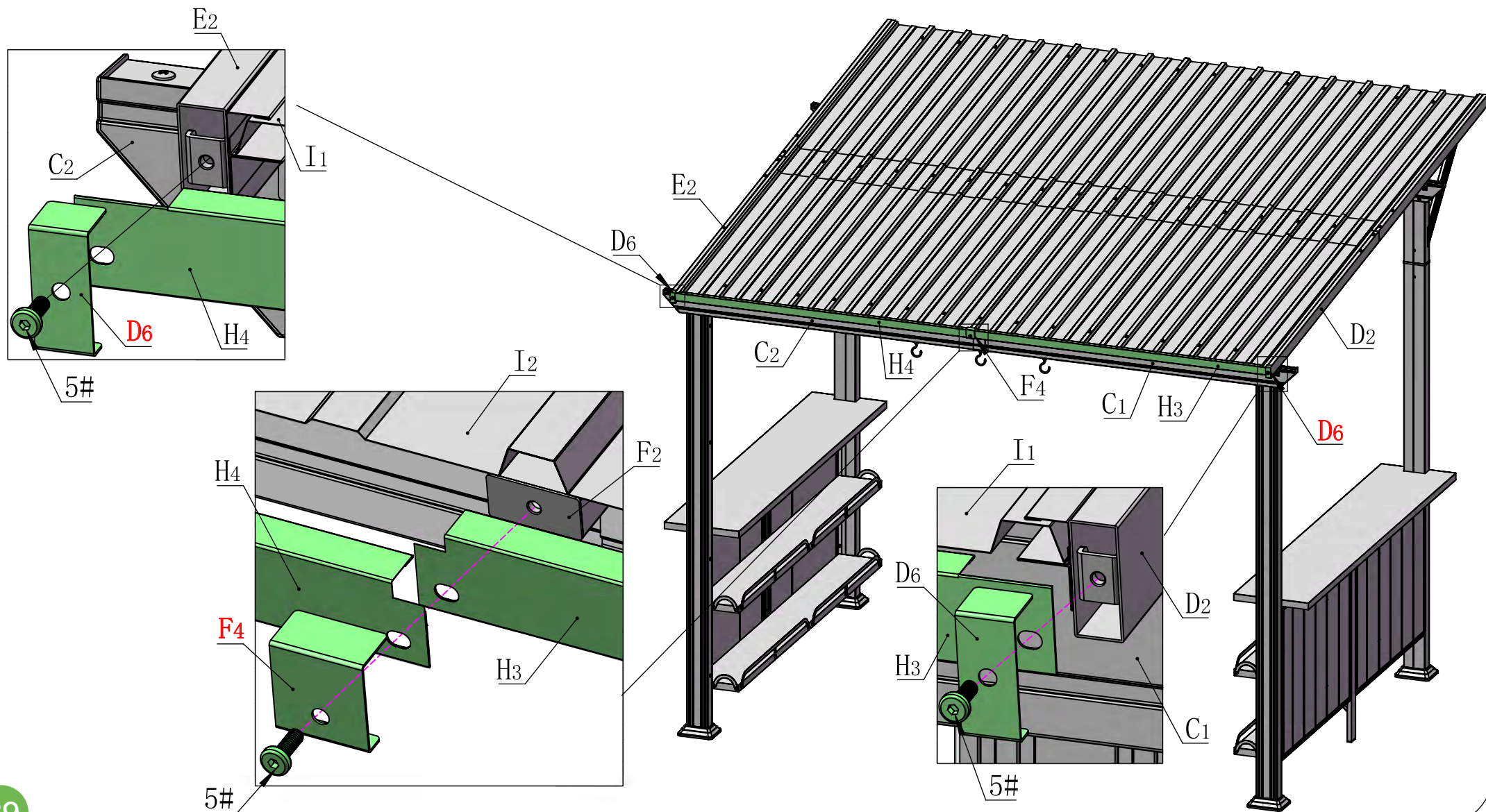
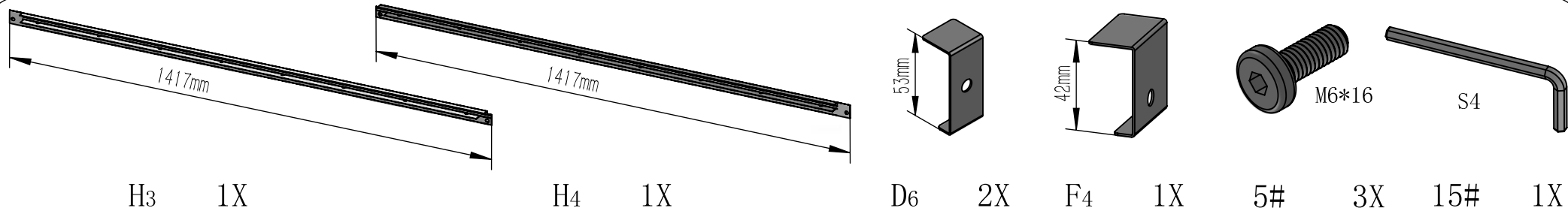
10X

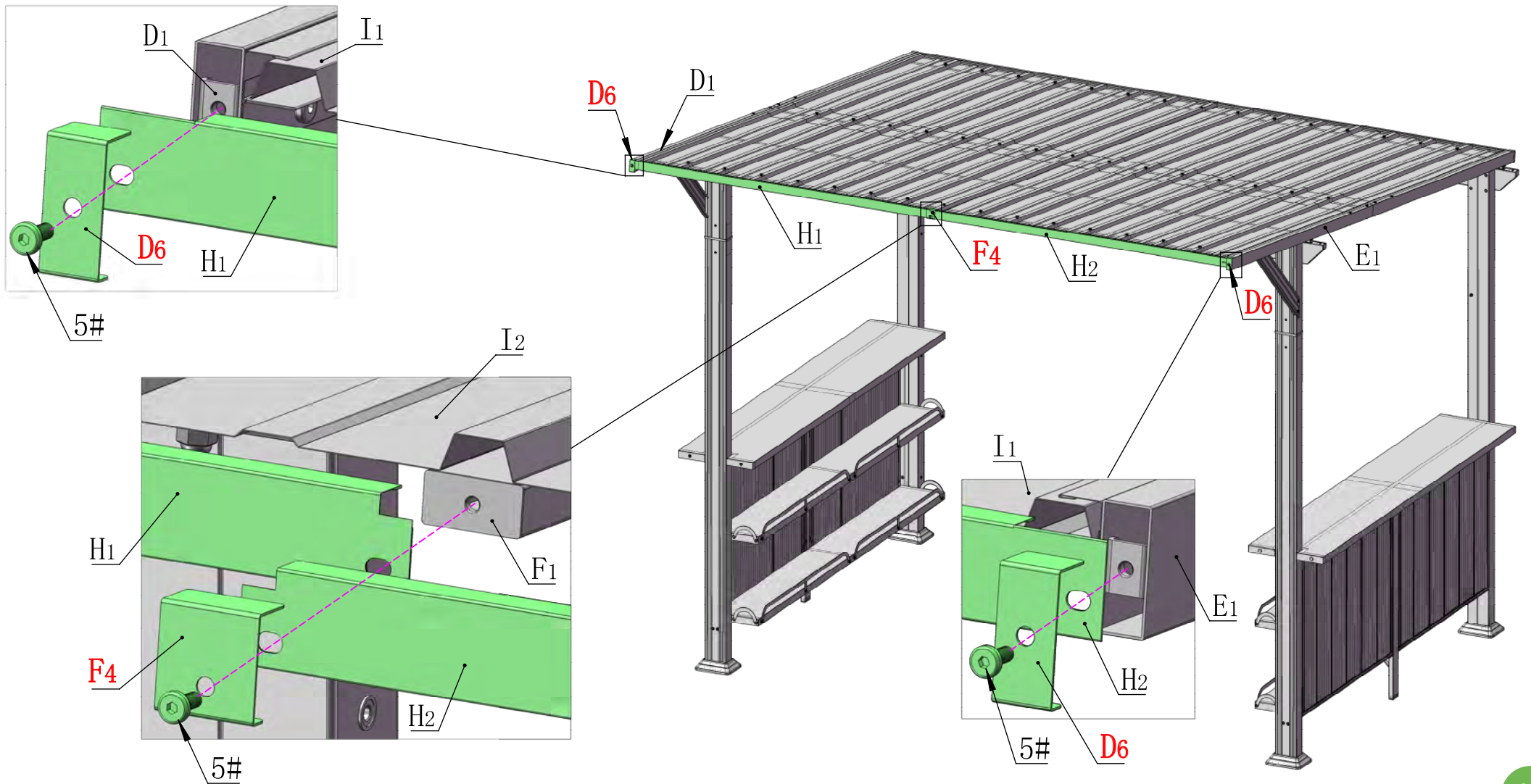
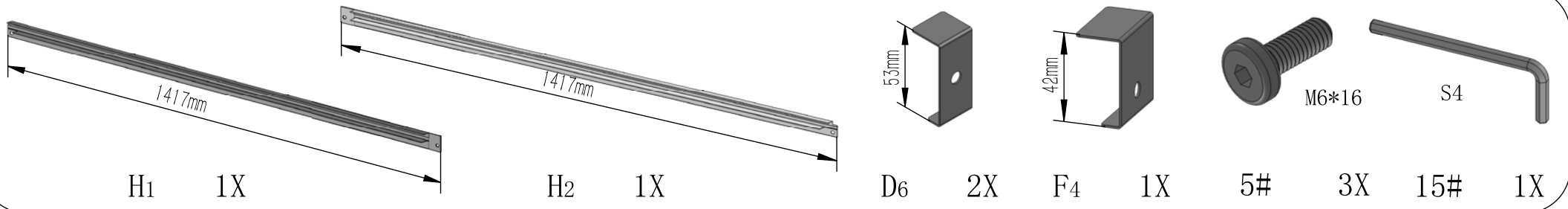


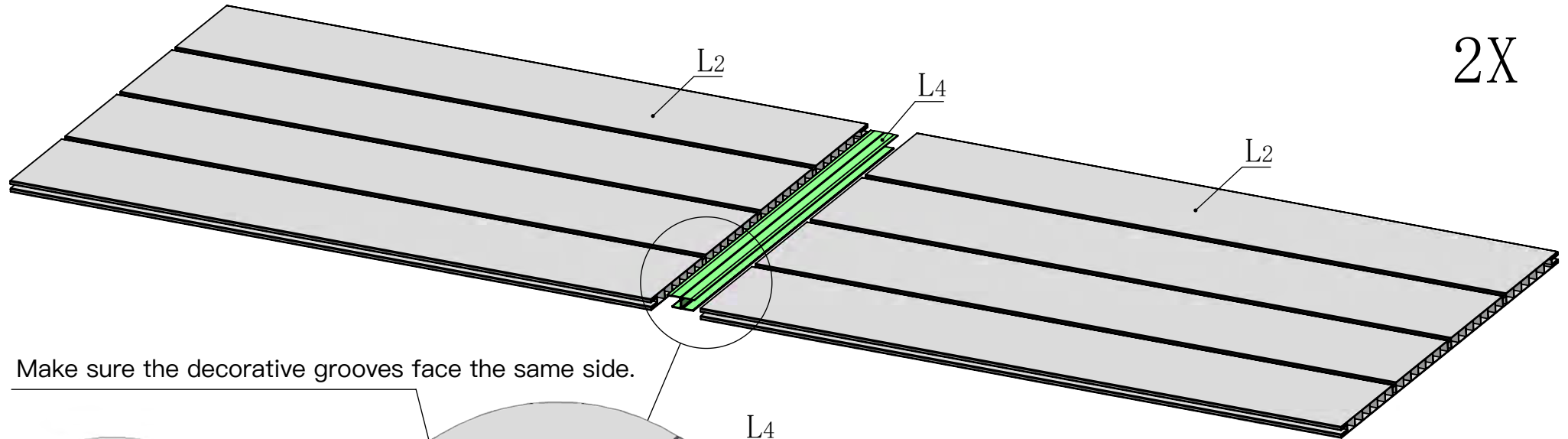
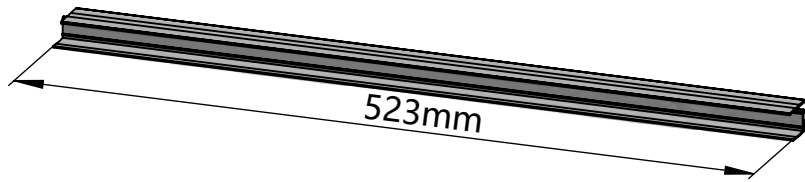
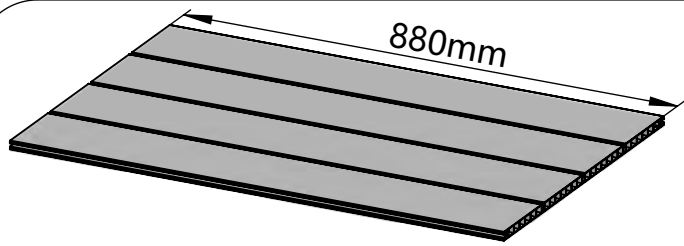
10X



3X

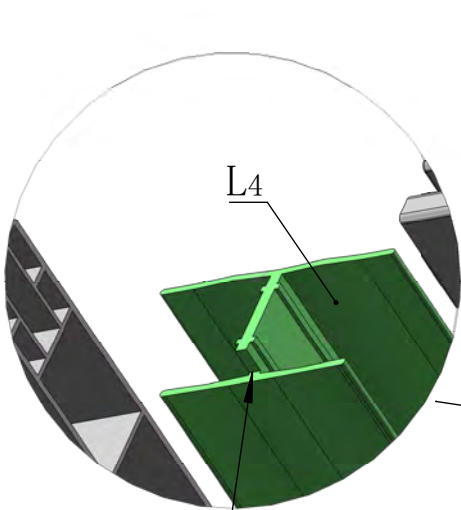




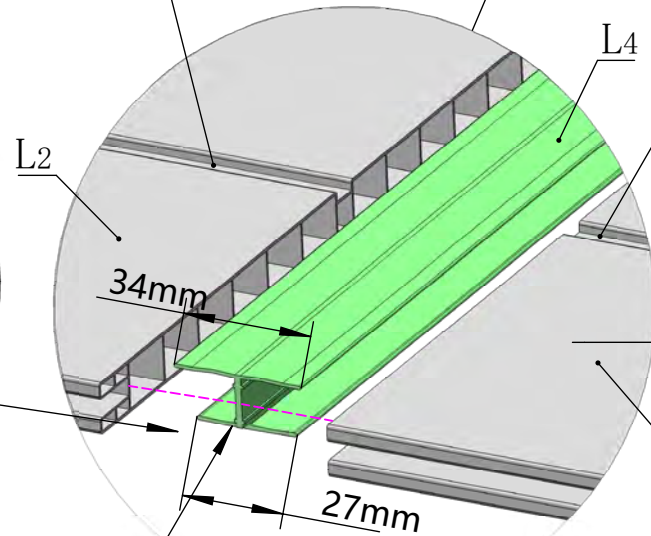


Make sure the decorative grooves face the same side.

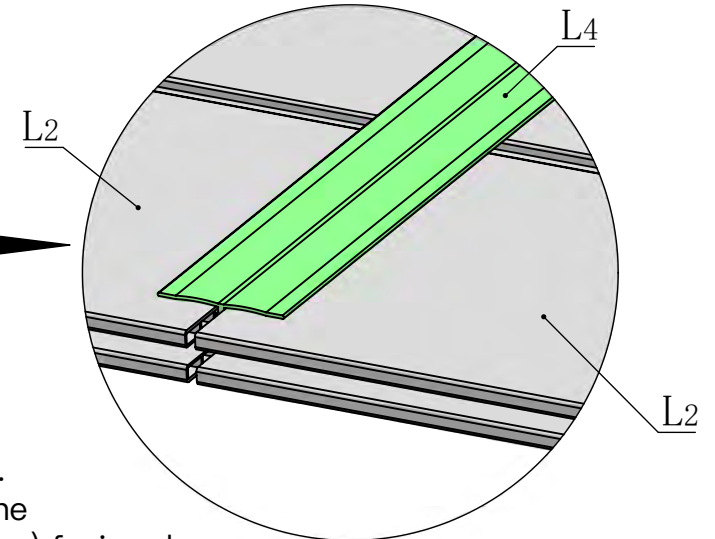
Make sure the decorative grooves face the same side.

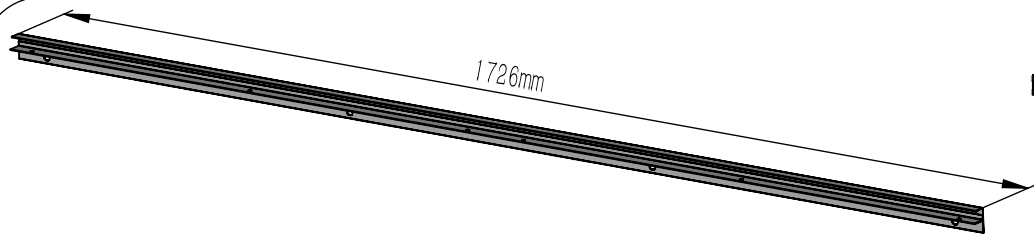


Make sure the notch is facing down.

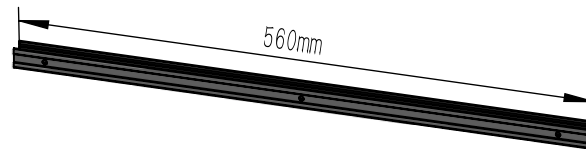


Pay attention to the installation direction of L4. The longer side (34mm) is on the side with the decorative grooves, while the shorter one (27mm) facing down.





L1 4X



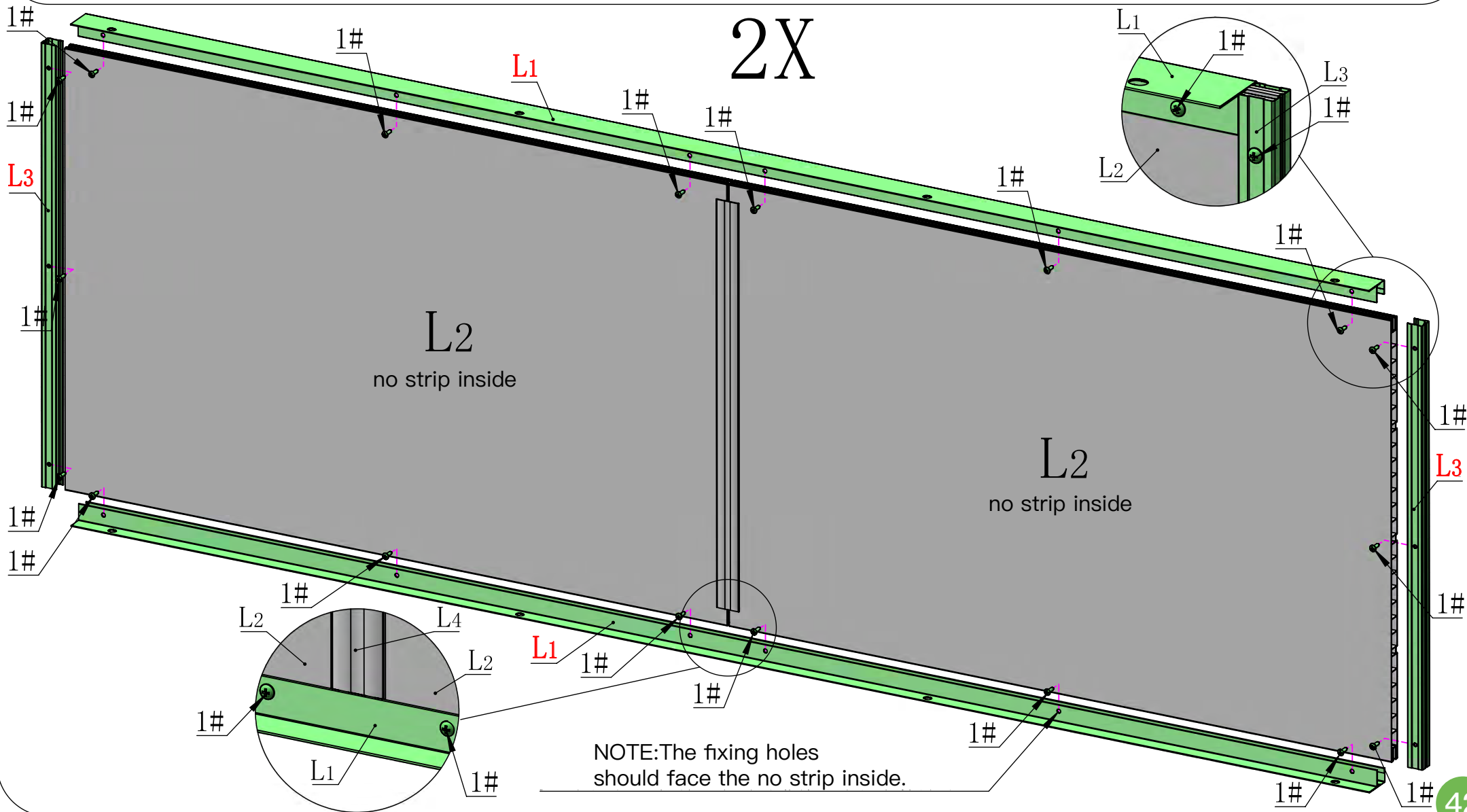
L3 4X



ST4*14

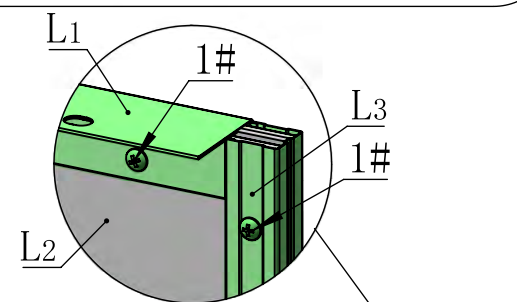
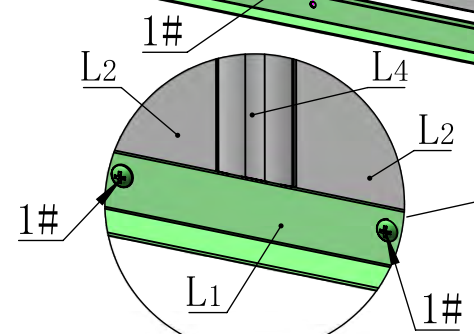
1# 36X

2X

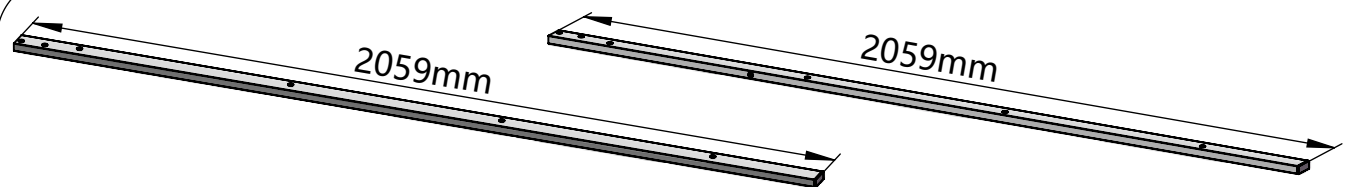


L2
no strip inside

L2
no strip inside

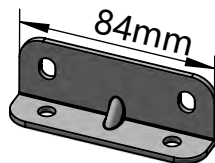


NOTE: The fixing holes should face the no strip inside.



J1 1X

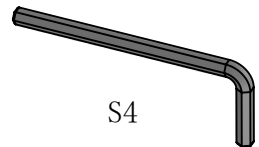
J2 1X



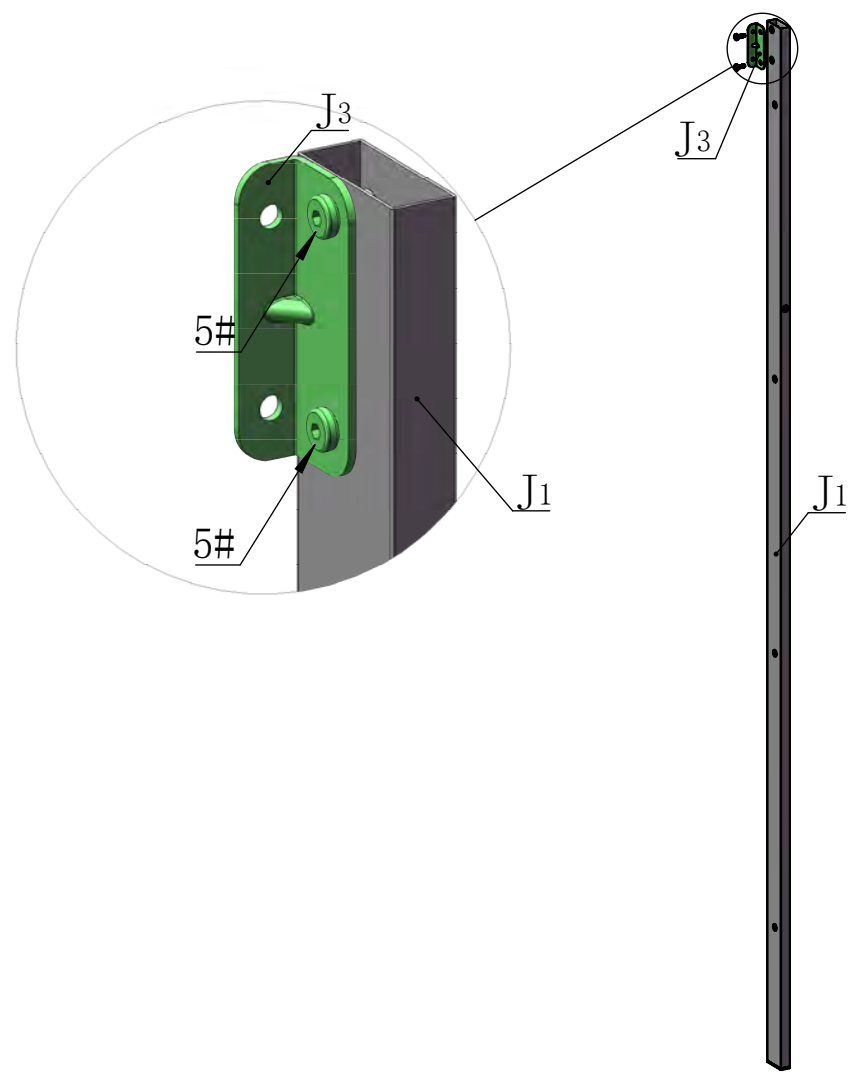
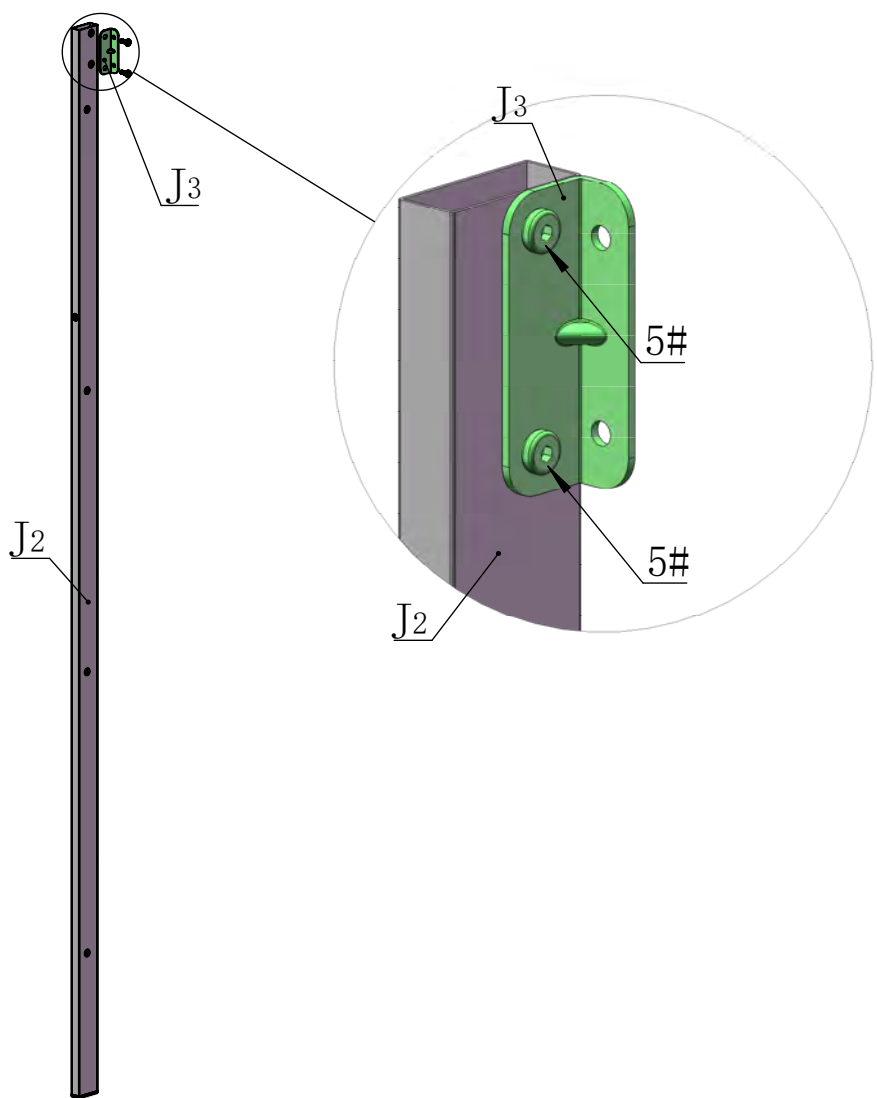
J3 2X



5# 4X



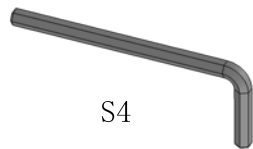
15# 1X





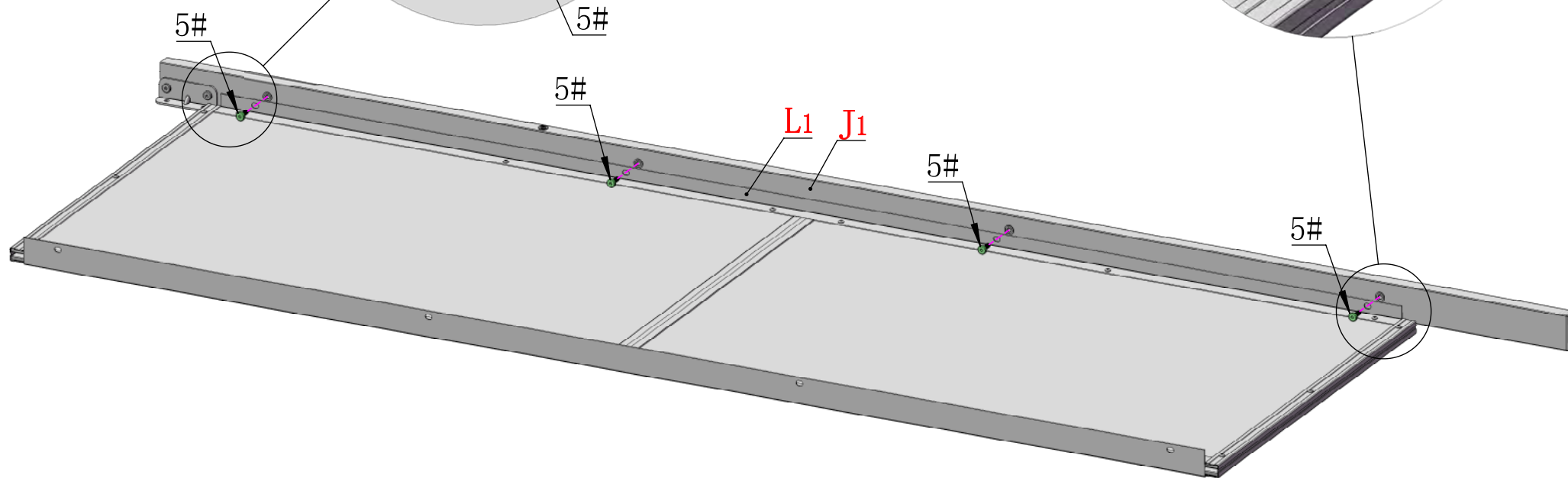
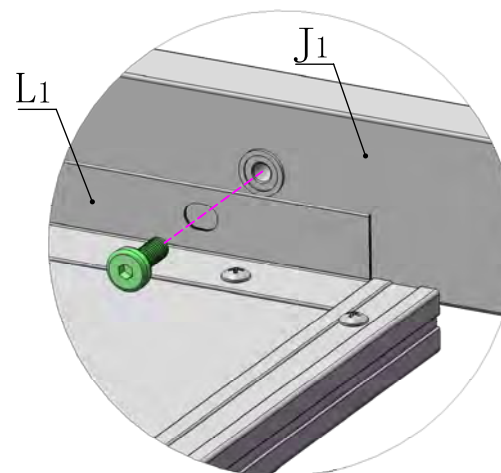
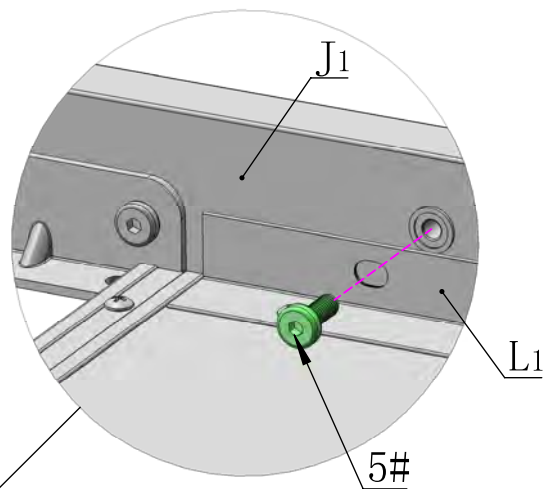
M6*16

5# 4X



S4

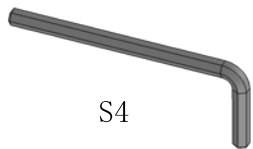
15# 1X





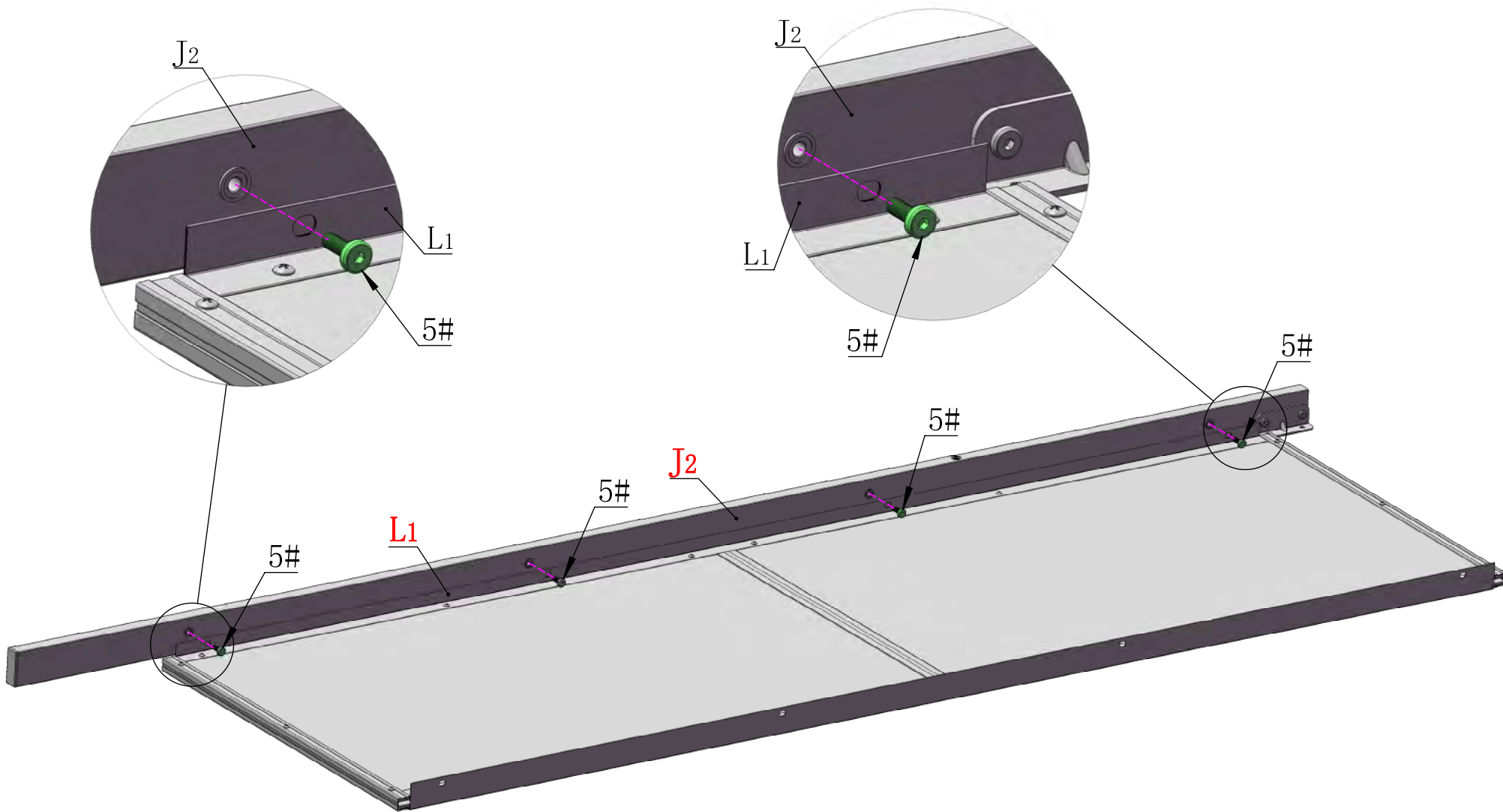
M6*16

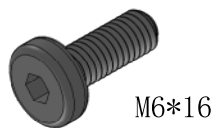
5# 4X



S4

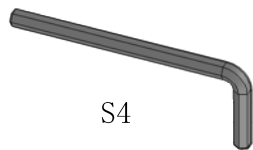
15# 1X





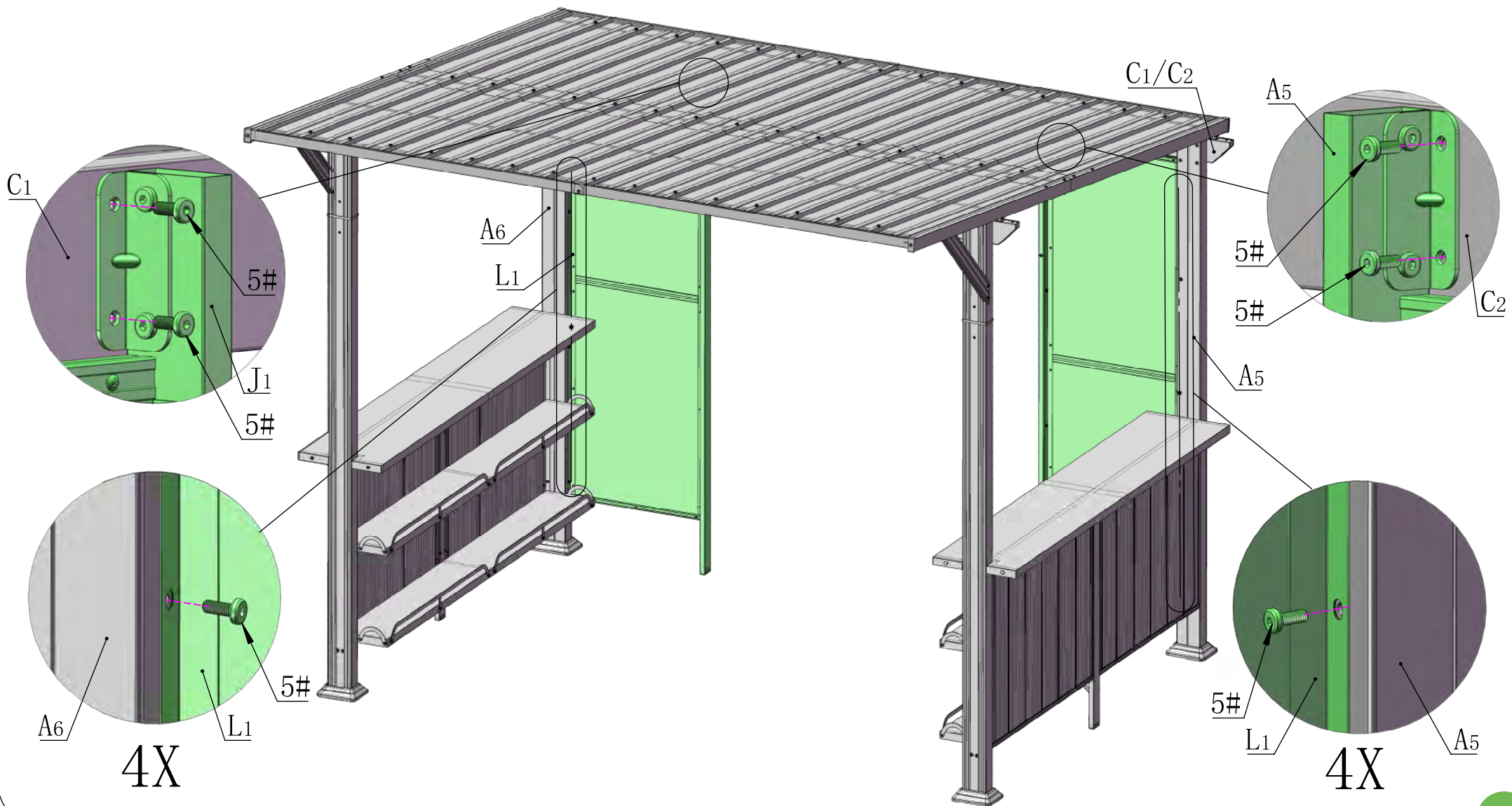
M6*16

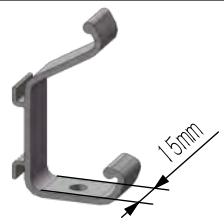
5# 12X



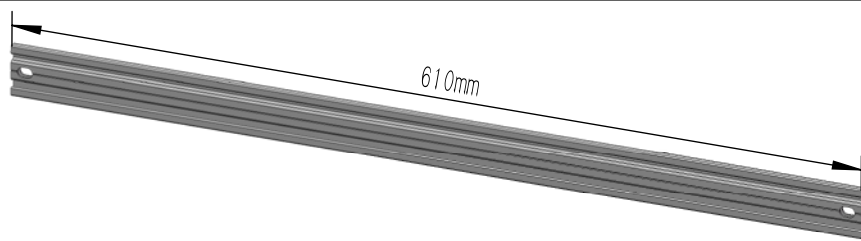
S4

15# 1X



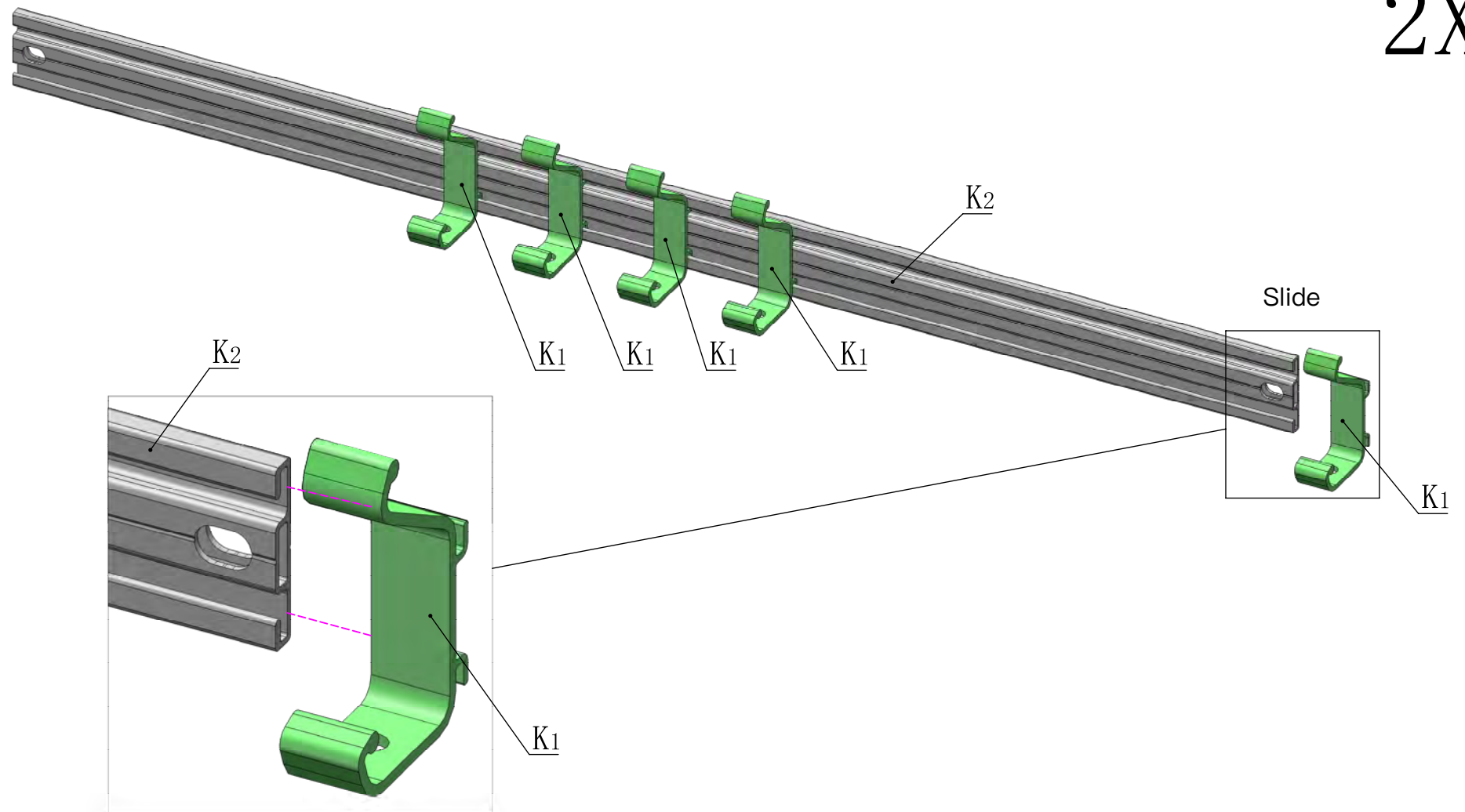


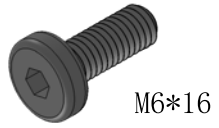
K1 10X



K2 2X

2X





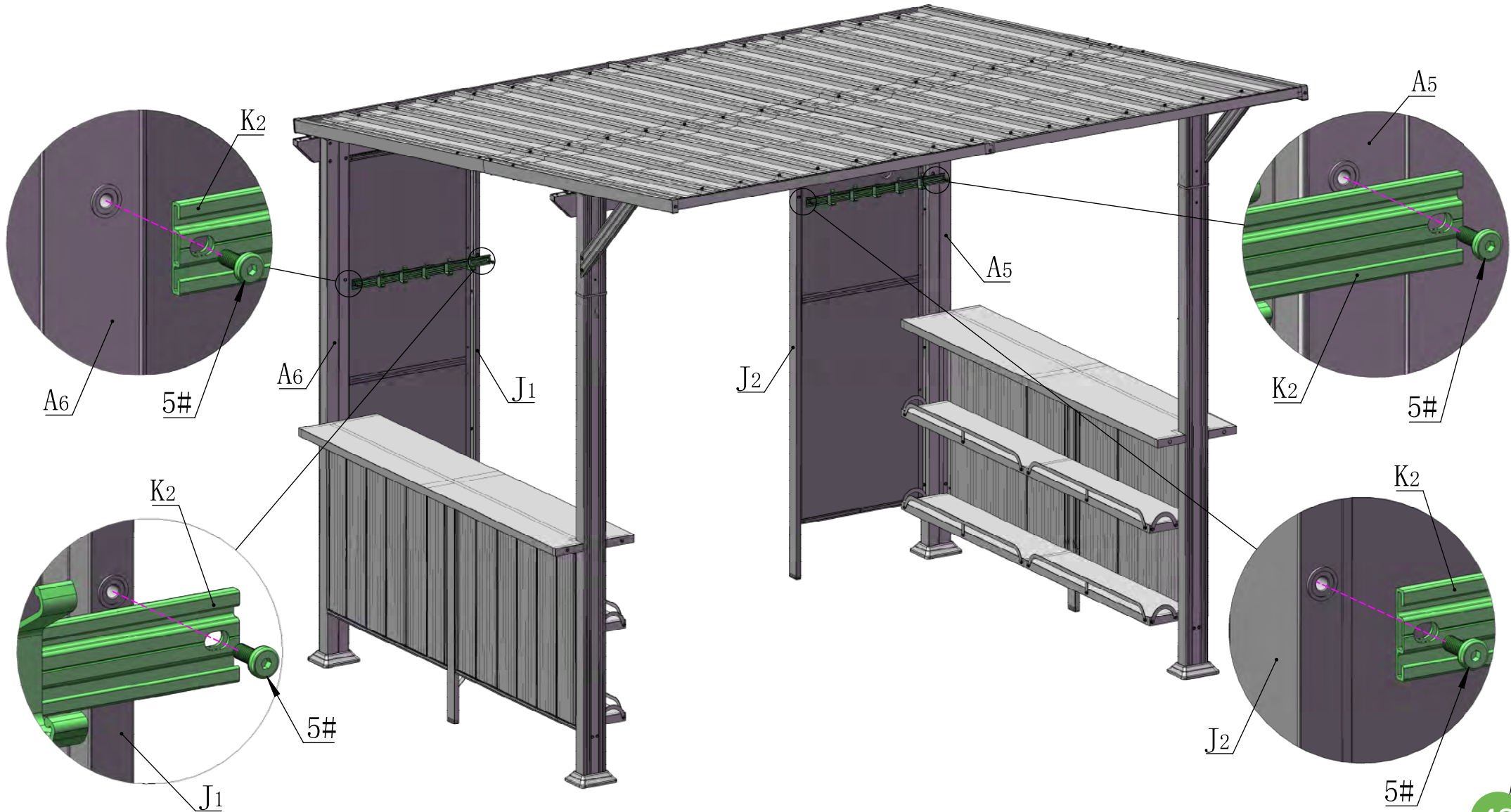
M6*16

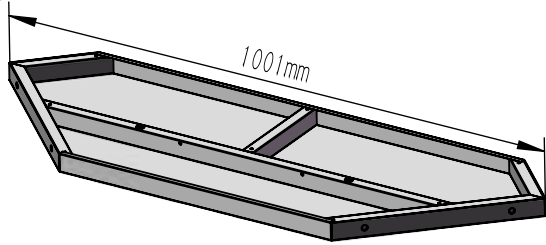
5# 4X



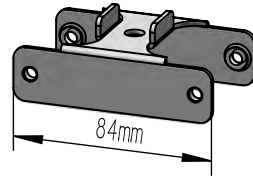
S4

15# 1X

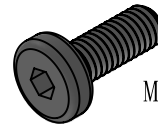




M4 1X

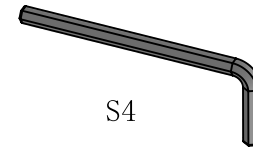


N3 1X



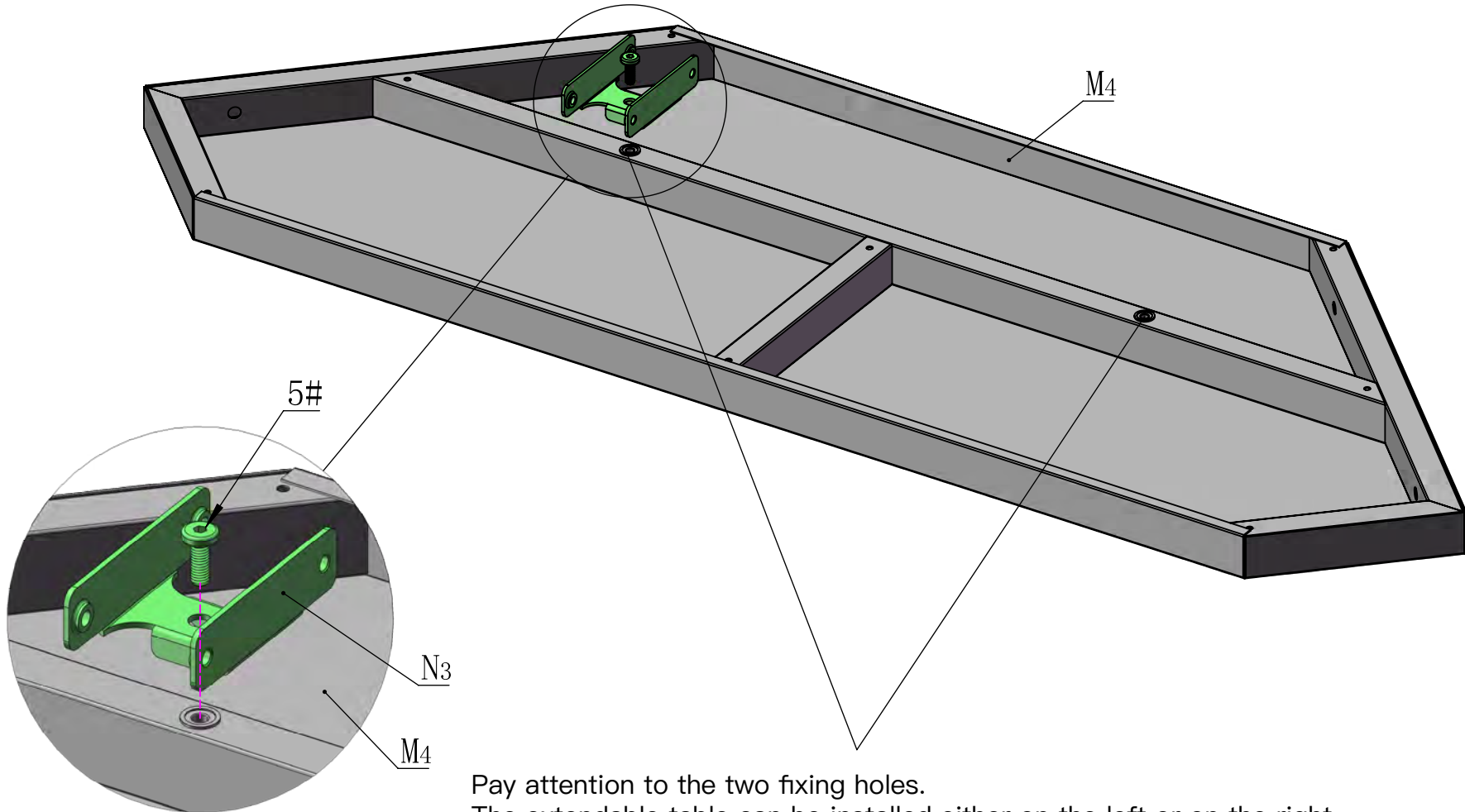
5# 1X

M6*16



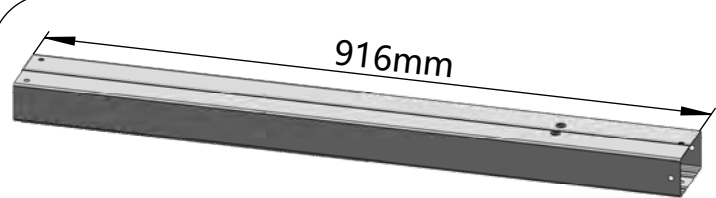
S4 1X

S4

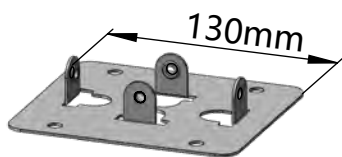


Pay attention to the two fixing holes.
The extendable table can be installed either on the left or on the right.
According to the actual situation, secure the bracket #N3 to one fixing hole with bolt #5.

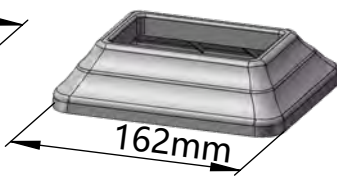
The example shows the extendable table installed on the left. As shown in P54.



N2 1X



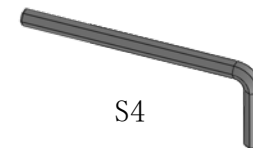
A7 1X



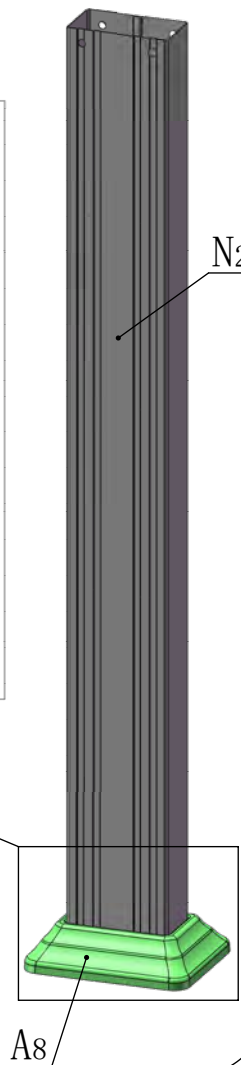
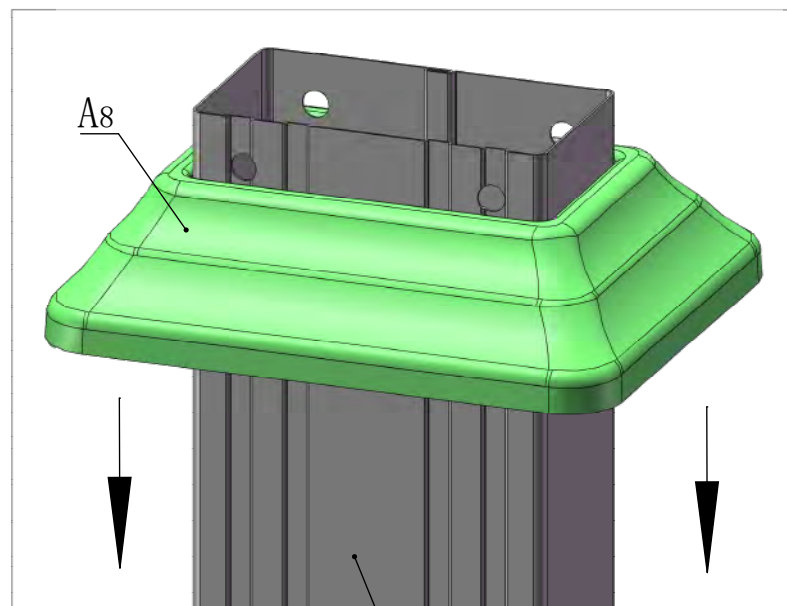
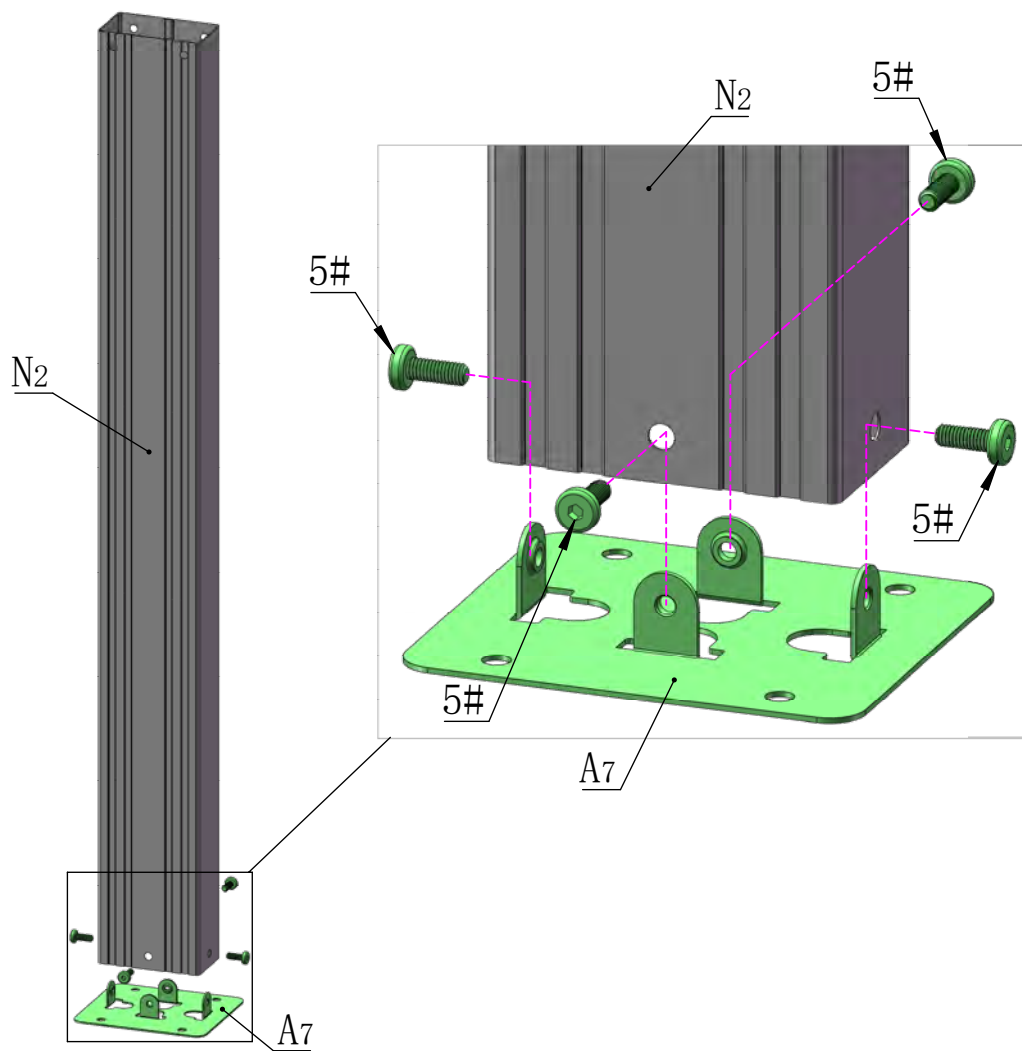
A8 1X

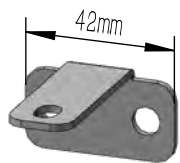


5# 4X



15# 1X



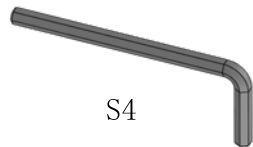


P5 1X



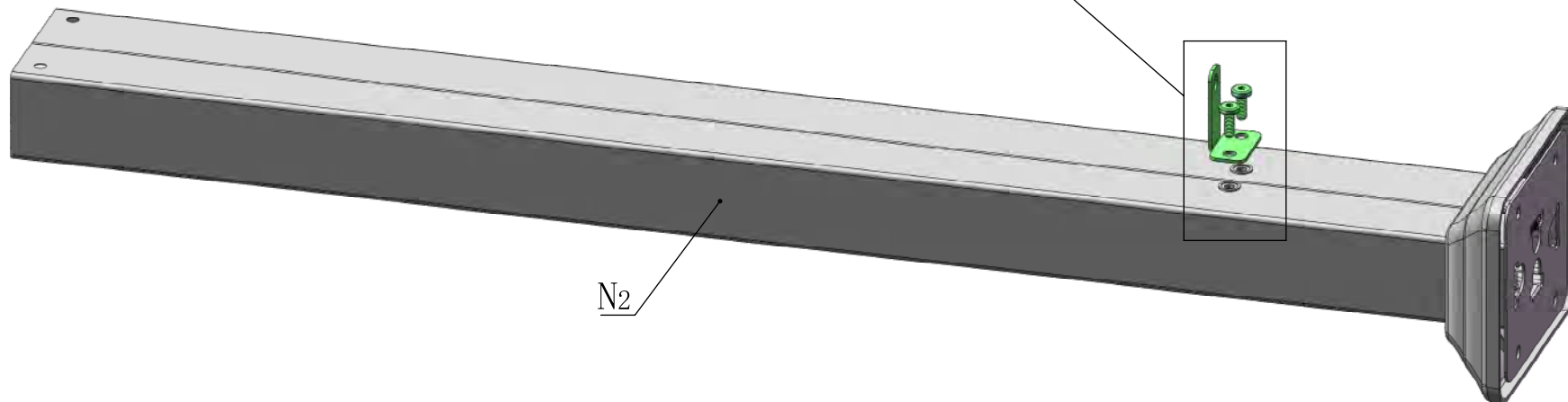
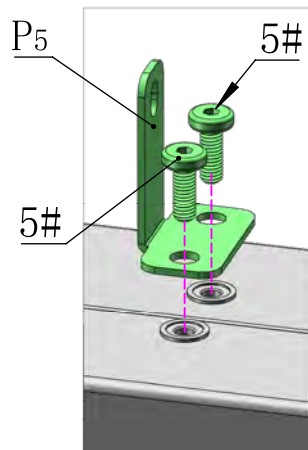
M6*16

5# 2X



S4

15# 1



N2



M6*16

5#

4X

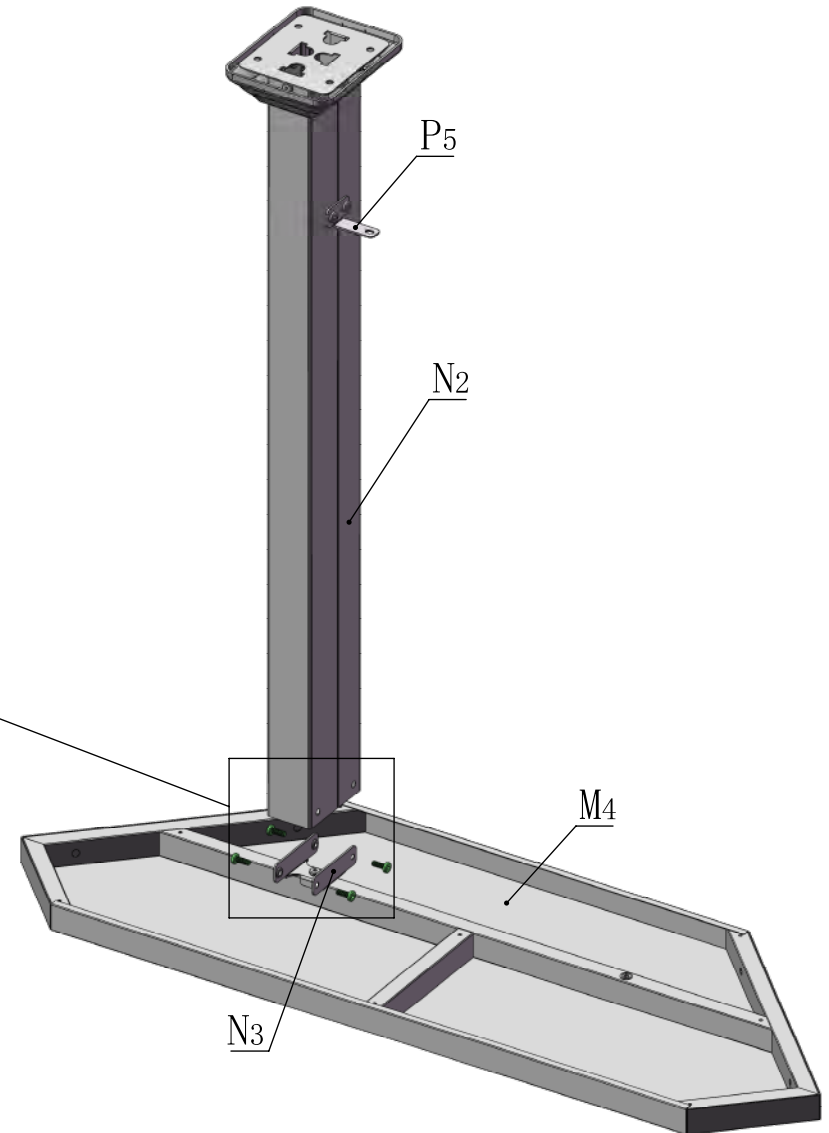
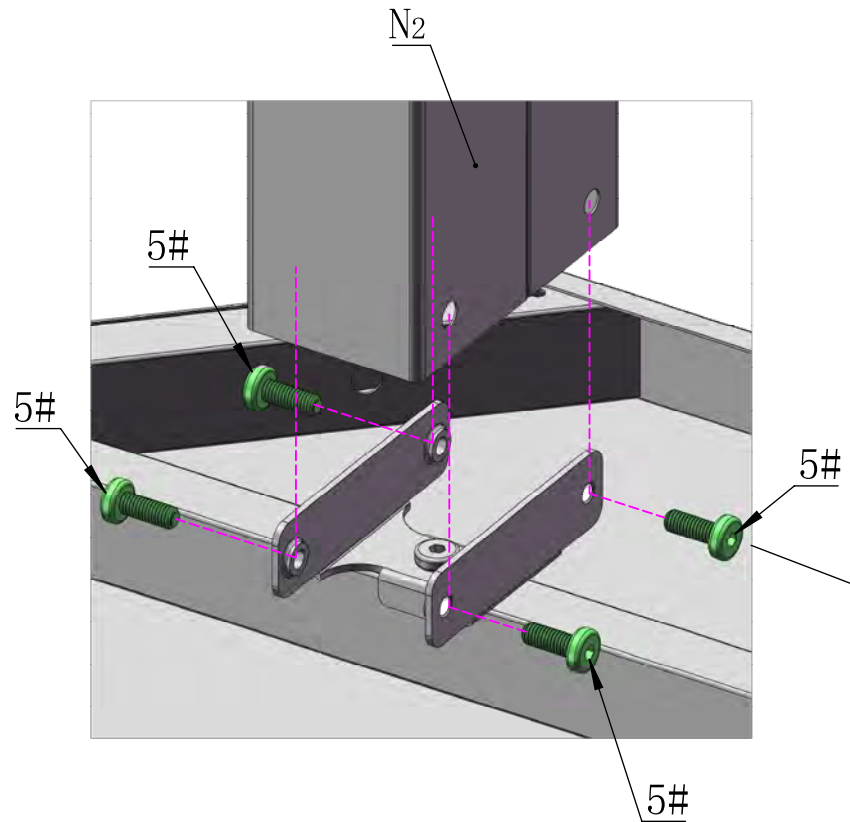


S4

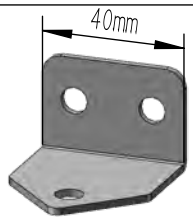
15#

1X

EXTENDABLE TABLE ASSEMBLY:



The example shows the extendable table installed on the left.

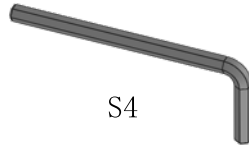


P4 1X



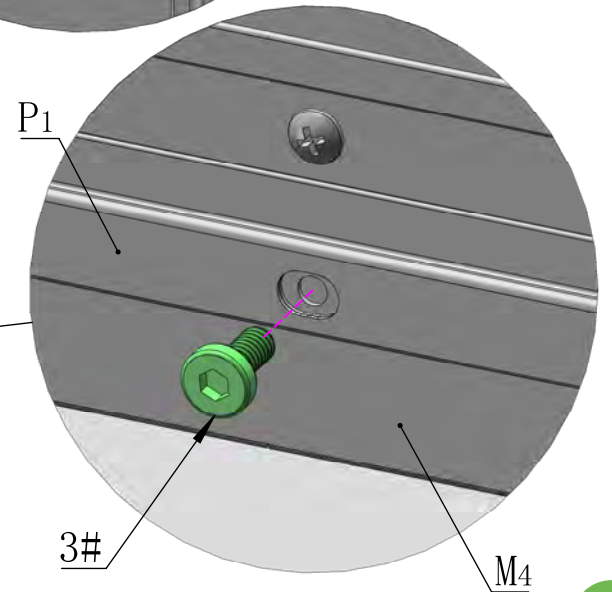
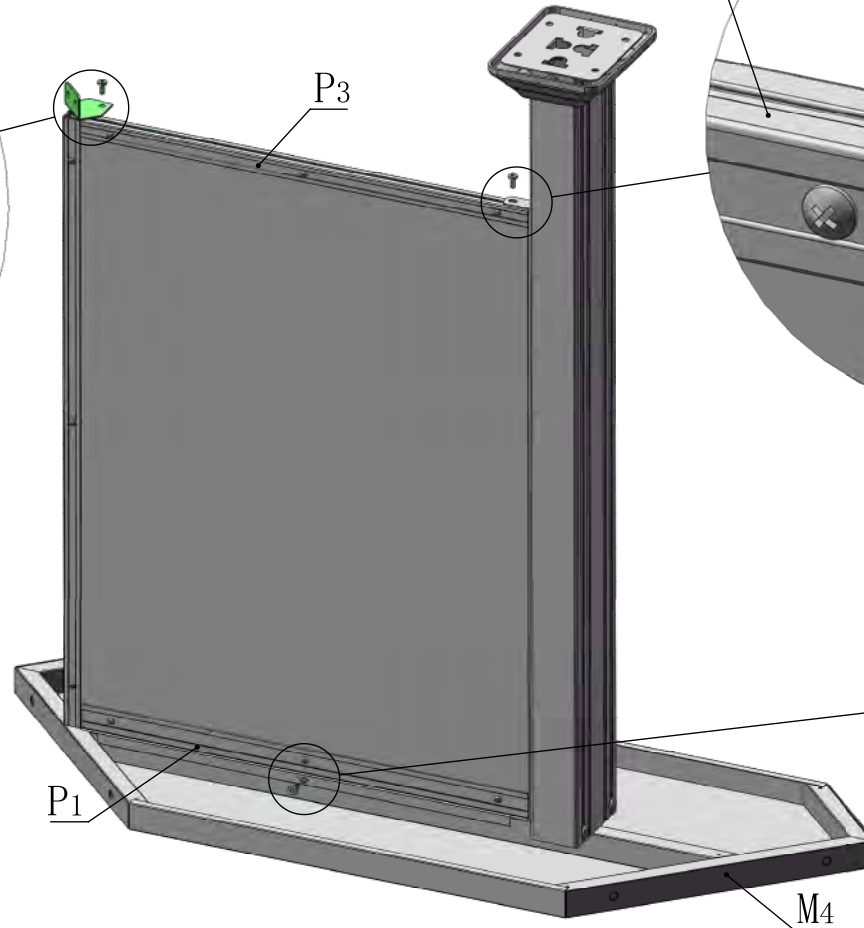
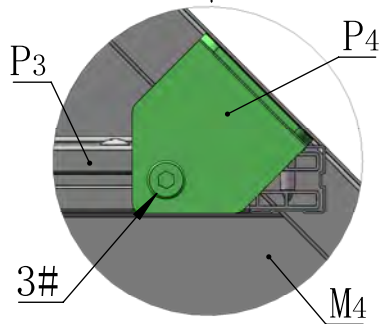
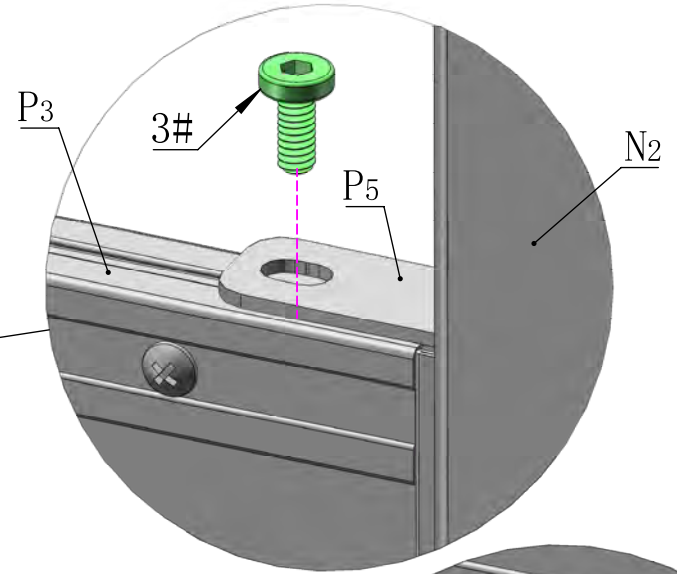
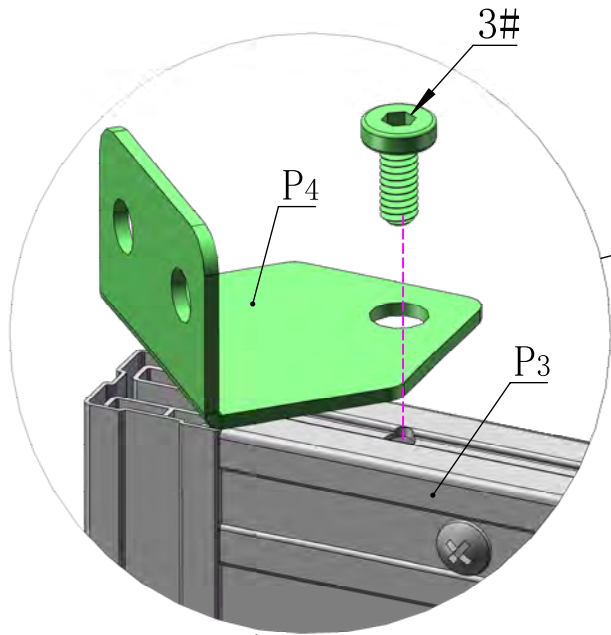
M5*12

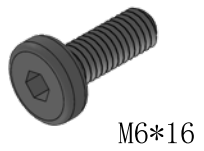
3# 3X



S4

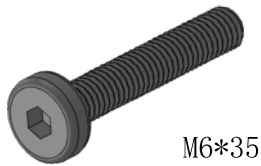
15# 1X





M6*16

5# 2X



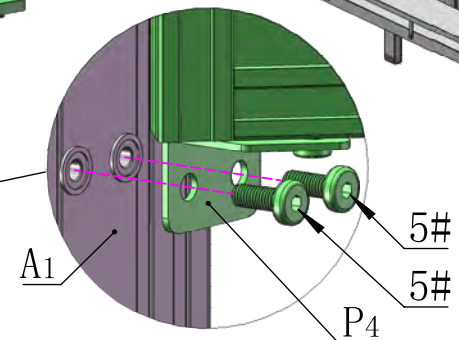
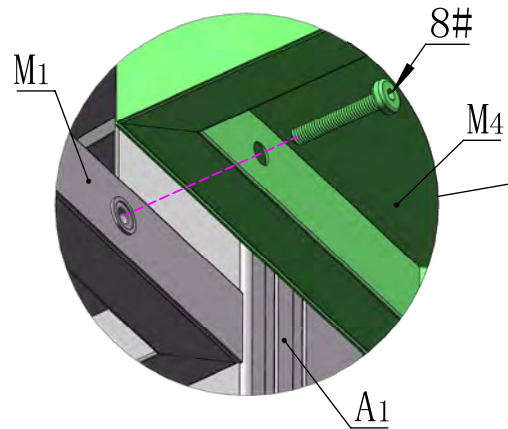
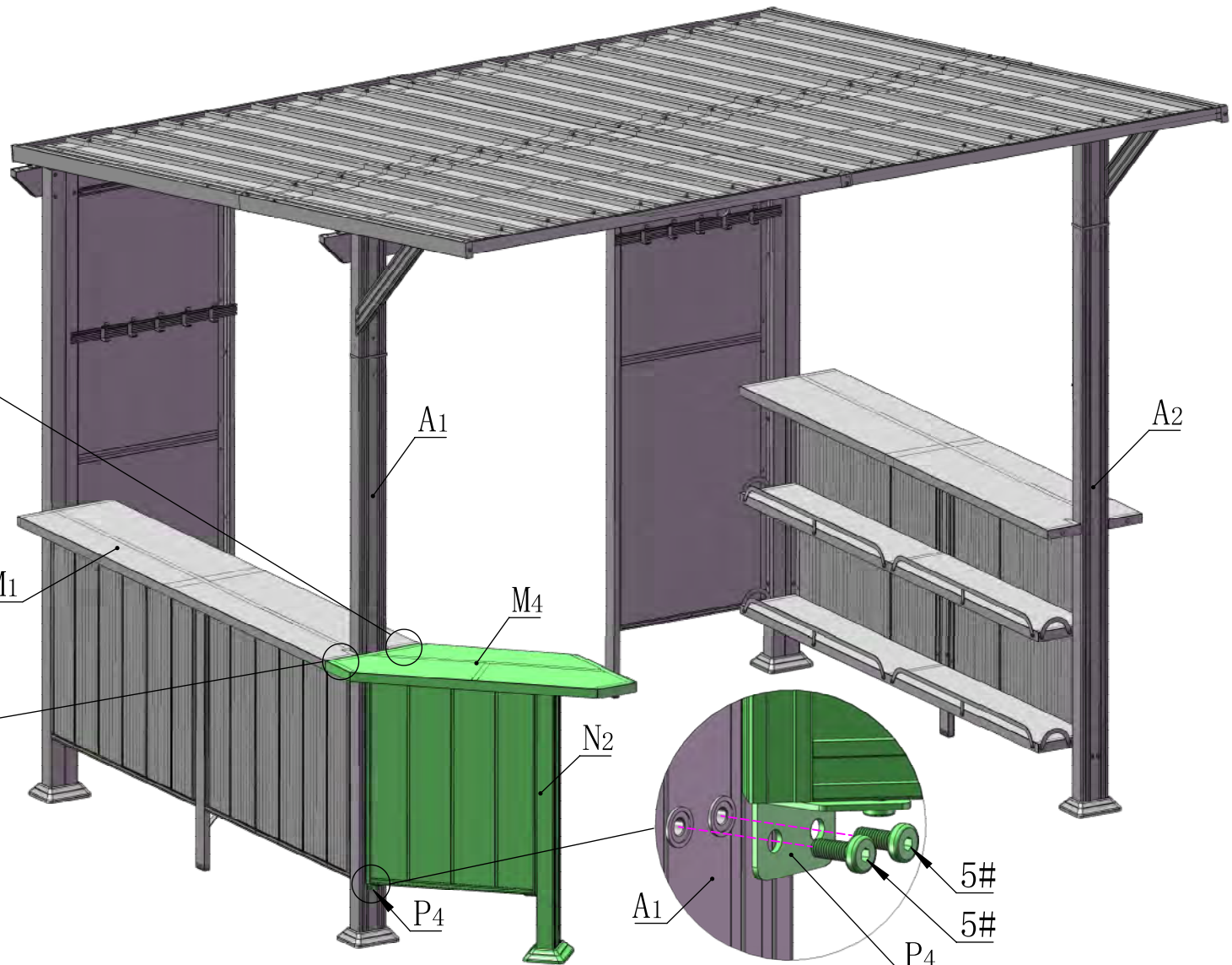
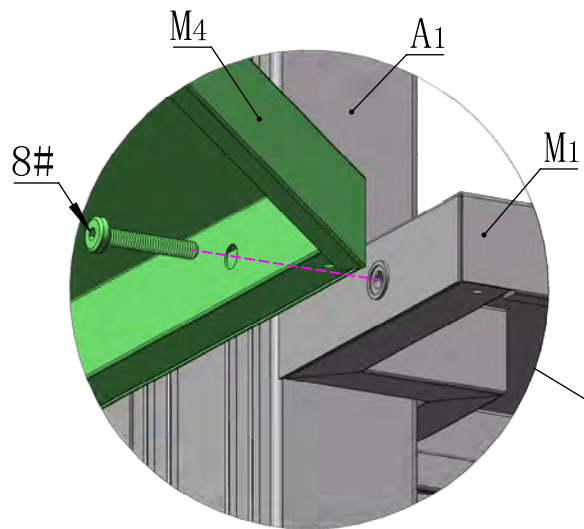
M6*35

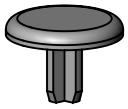
8# 2X



S4

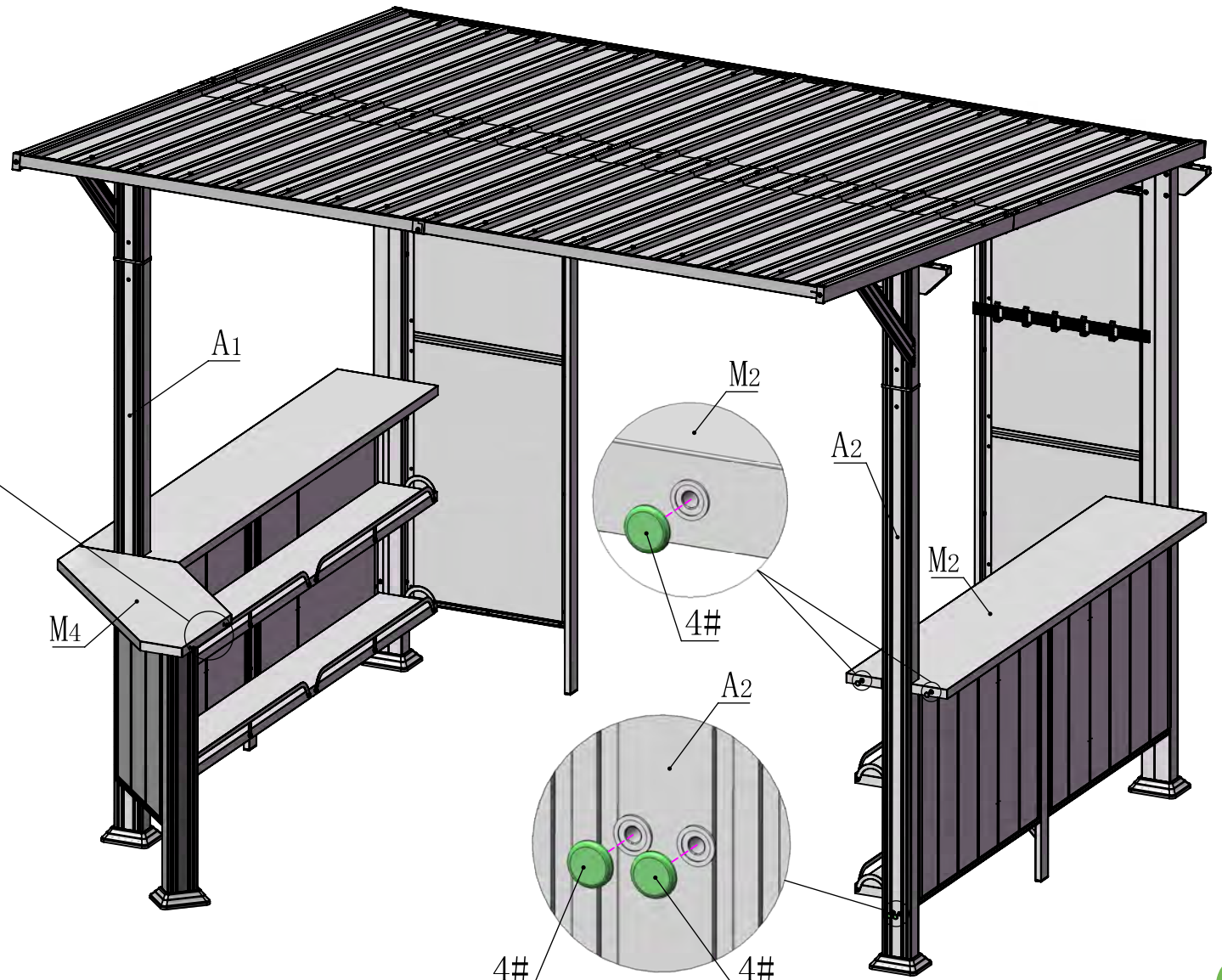
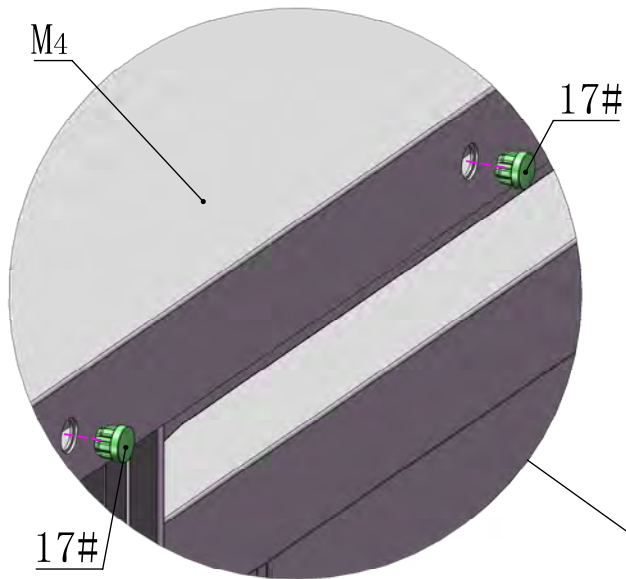
15# 1X





4# 4X

17# 2X



Cover the plastic cap

Care and Cleaning

Wash frame parts and fabric with mild soap and water, rinse thoroughly.

Dry frame completely and allow the fabric to drip dry.

Do not use bleach, acid, or other solvents on the fabric or frame parts.

Please inspect and tighten all bolts or fasteners on a regular basis to ensure proper performance and safety of your gazebo.

Warranty

Frames

Frames constructions are warranted to be free from defects in material and workmanship for 1 year from item purchased. Damage to frame from negligence won't be covered by this warranty.

Bolts & nuts

Bolts and nuts are warranted to be free from defects in material and workmanship for 1 year from item purchased. Damage from exposure to chemicals (including not only oils ,spills, fluids) won't be covered by this warranty.

Warranty Limitation

This warranty is for the original purchase order only. (Order number required). This warranty is non-transferable. Domi outdoor living is responsible for the free replacement part including shipping charges for the 1 year warranty.

Warranty Exclusion

This warranty does not cover products subject to negligence, abuse usage, inappropriate installation. Domi outdoor living reserves the right to explain warranty exclusions. When the replacement item is applied, the 1 year warranty automatically expires. Please feel free to contact us for applying warranty.



RESORT COMFORT IN YOUR
OWN BACKYARD

Support:



Business cooperation contact email:

marketing@domioutdoorliving.com

After-sales contact email:

service@domioutdoorliving.com

Please tell us your order ID when contact.

Attach photos of damaged part for instant reply.