

HELPFUL HINTS

! BEFORE YOU START

- Inspect product packaging to ensure the appearance is good.
- Read the assembly instruction carefully and follow it step by step.
- To avoid any scratching, putting a soft blanket on the floor is suggested.
- Identify, sort and count all the parts with tags.
- Find out installation position according to the drawing and install it in correct steps.

! OTHER

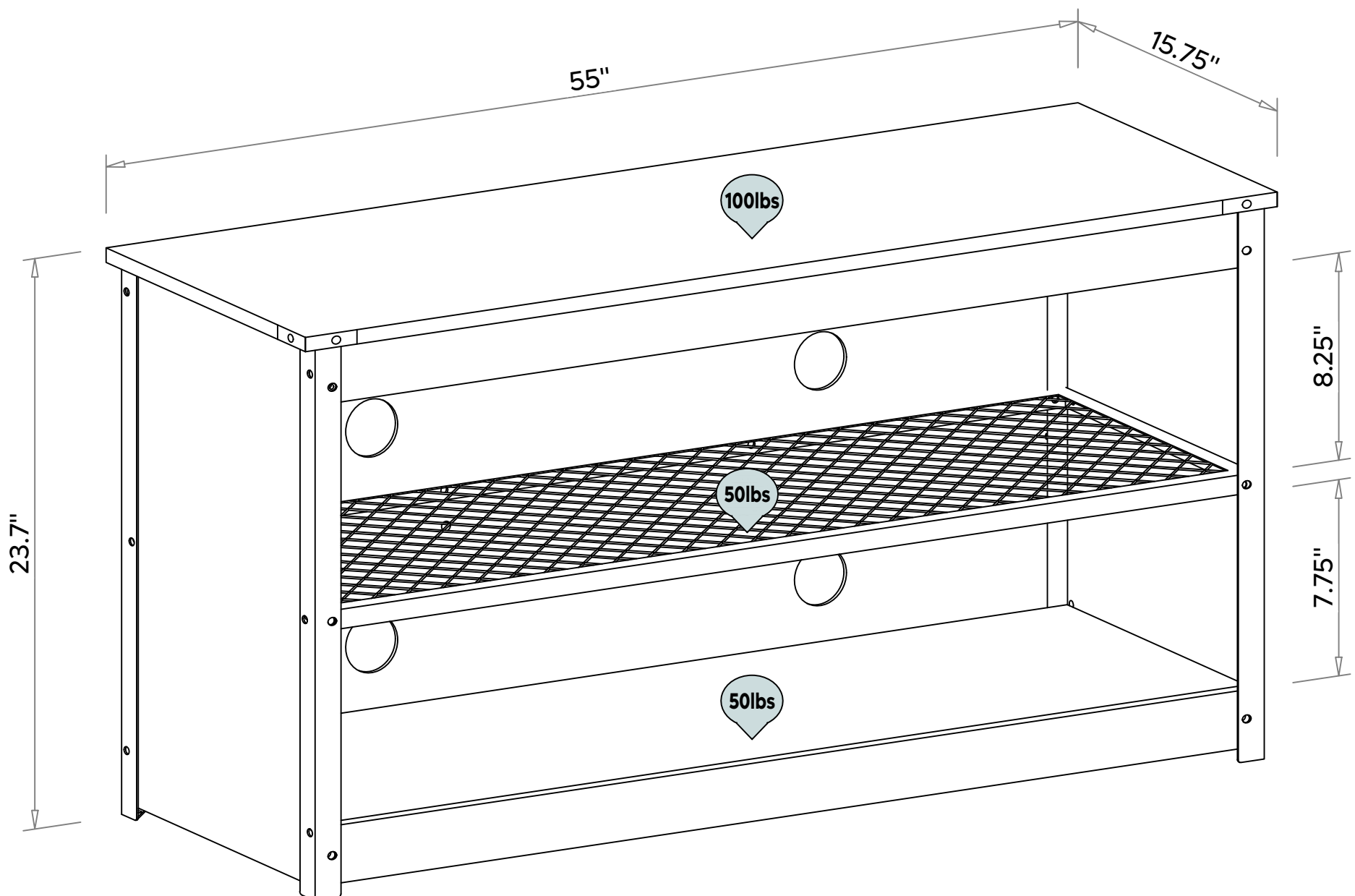
- People needed for assembly: 2
- Estimated assembly time: 2-2.5h

! CAUTION

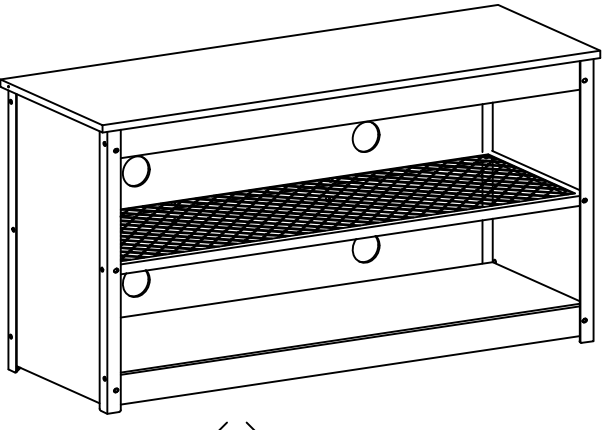
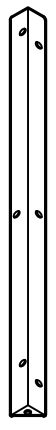

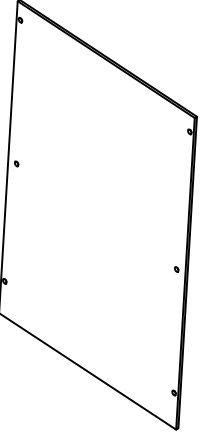
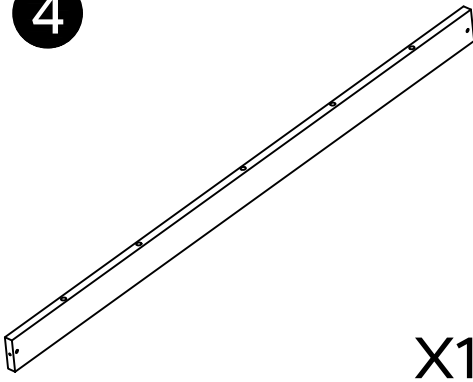
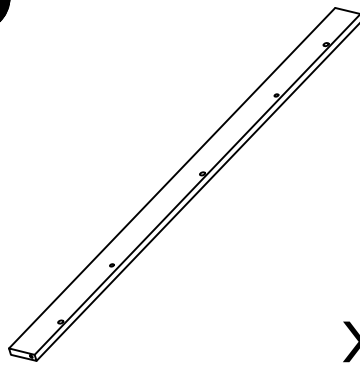
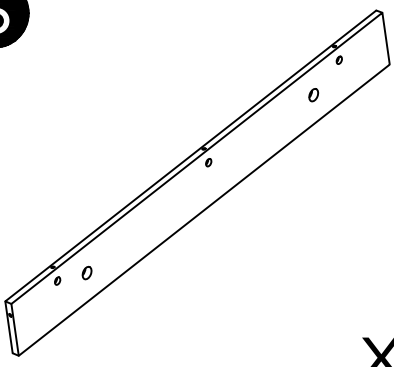
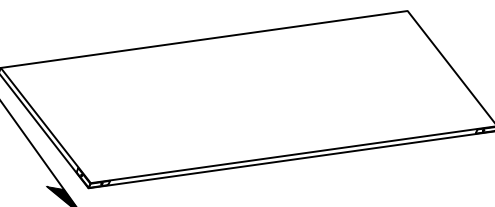
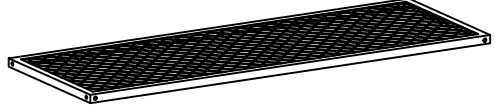
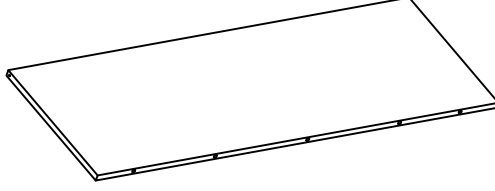
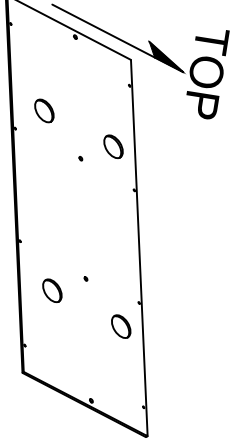
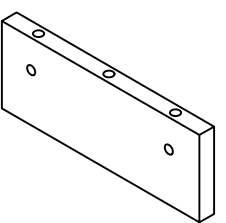
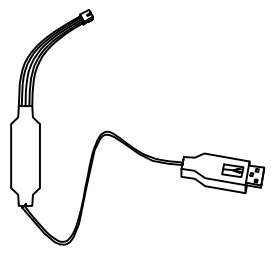
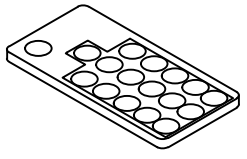
- Be cautious when using a power drill or power screwdriver.
- Please be aware to slow down and stop when screw is nearly tight.
- Do Not use any harsh chemicals or abrasive cleaners for this item.
- Push, pull or drag this item carefully.

DETAILS

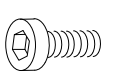

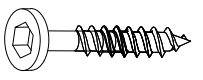

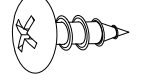

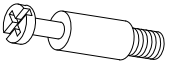
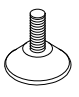
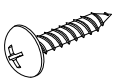
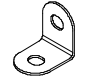


UNIT:INCH



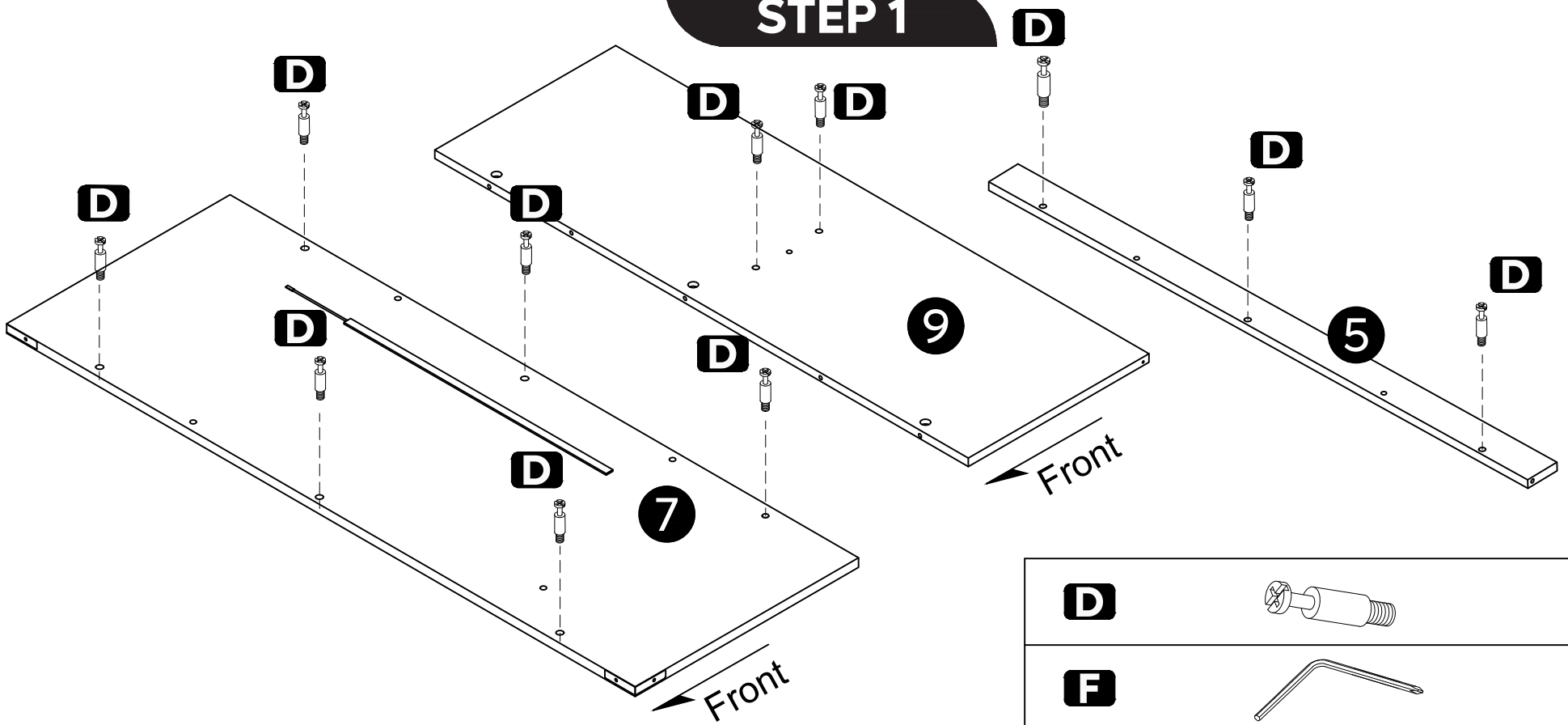
PART LIST

| | | | |
|---|---|---|---|
|  | | 1  X2 | 2  X2 |
| 3  X2 | 4  X1 | 5  X1 | 6  X1 |
| 7  X1 | 8  X1 | 9  X1 | 10  X1 |
| 11  X1 | 12  X1 | 13  X1 | |

ACCESSORY LIST

| No. | PICTURE | SIZE | QTY | No. | PICTURE | SIZE | QTY |
|-----------|---|----------|-----|-----------|---|--------|-----|
| A |  | 6x12mm | 16 | E |  | | 11 |
| B |  | ST5x35mm | 8 | F |  | M4 | 1 |
| C |  | 3.5x16mm | 8 | G |  | | 7 |
| D |  | | 11 | H |  | M8XØ28 | 4 |
| WA |  | 4X25MM | 2 | WC |  | M8 | 4 |
| WB |  | M6x25mm | 2 | WD |  | | 2 |

STEP 1

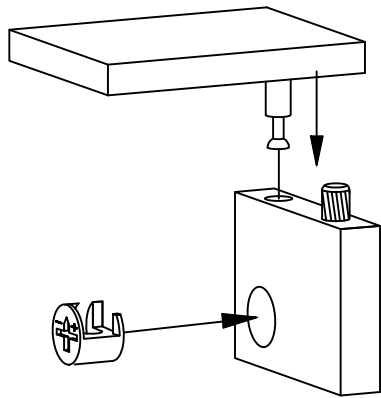


| | | |
|----------|--|----|
| D | | 11 |
| F | | |

Installation for Cam Lock Fastener

CORRECT

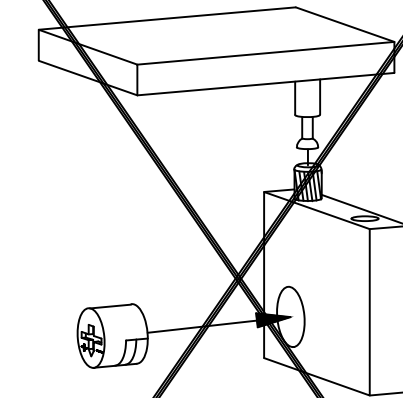
1



When inserting cam lock, make sure C-shaped opening fits over the head of cam bolt. Dowel should be placed in the hole that next to cam bolt.

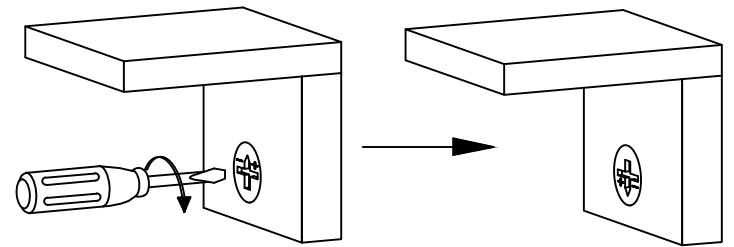
INCORRECT

2



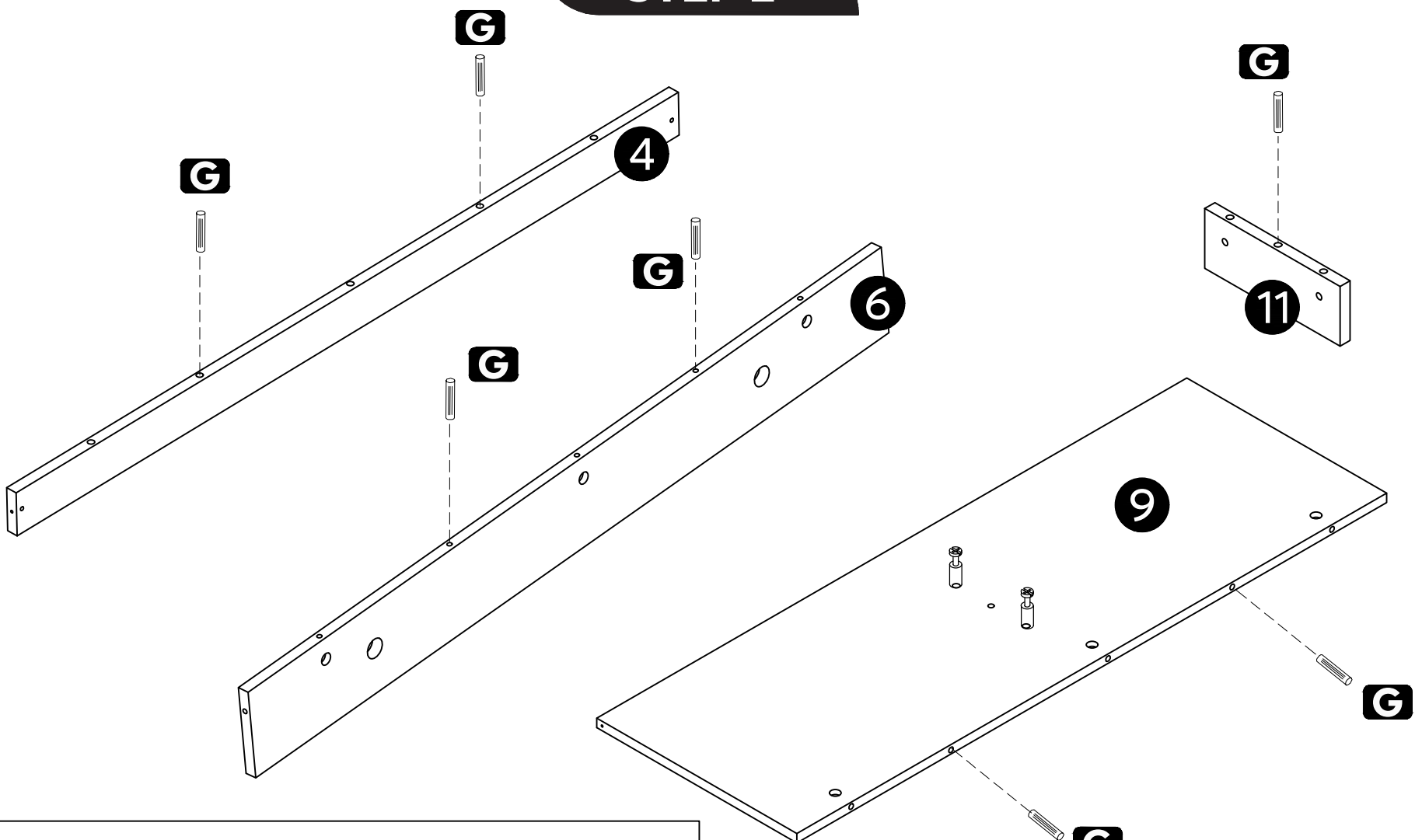
Wrong position of dowel.
Wrong direction of cam lock.

3



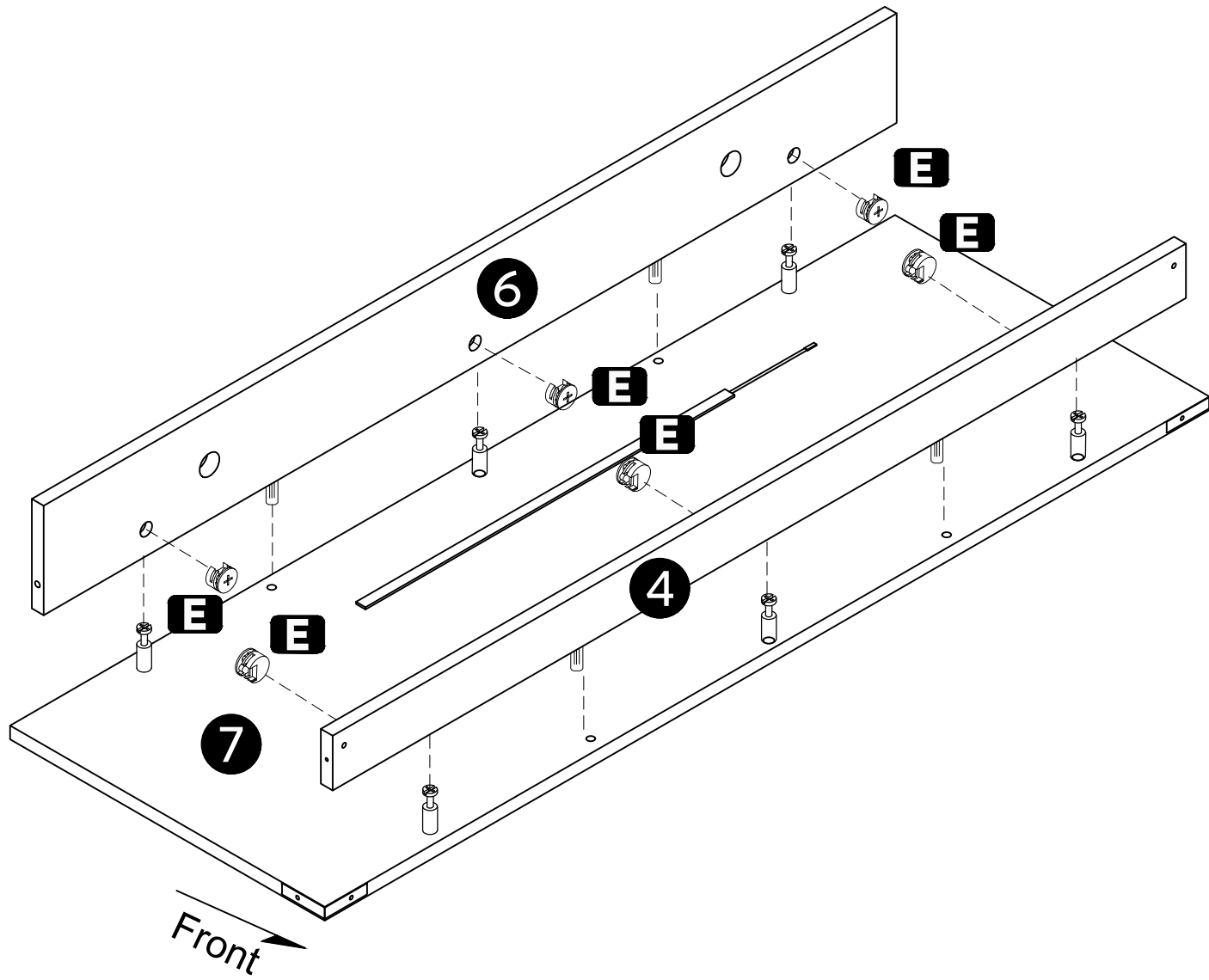
Tighten cam lock clockwise until it stops.
***NOTE: DO NOT USE POWER SCREWDRIVER TO TIGHTEN CAM LOCKS. DO NOT OVER TIGHTEN.**

STEP 2



7

STEP 3



E

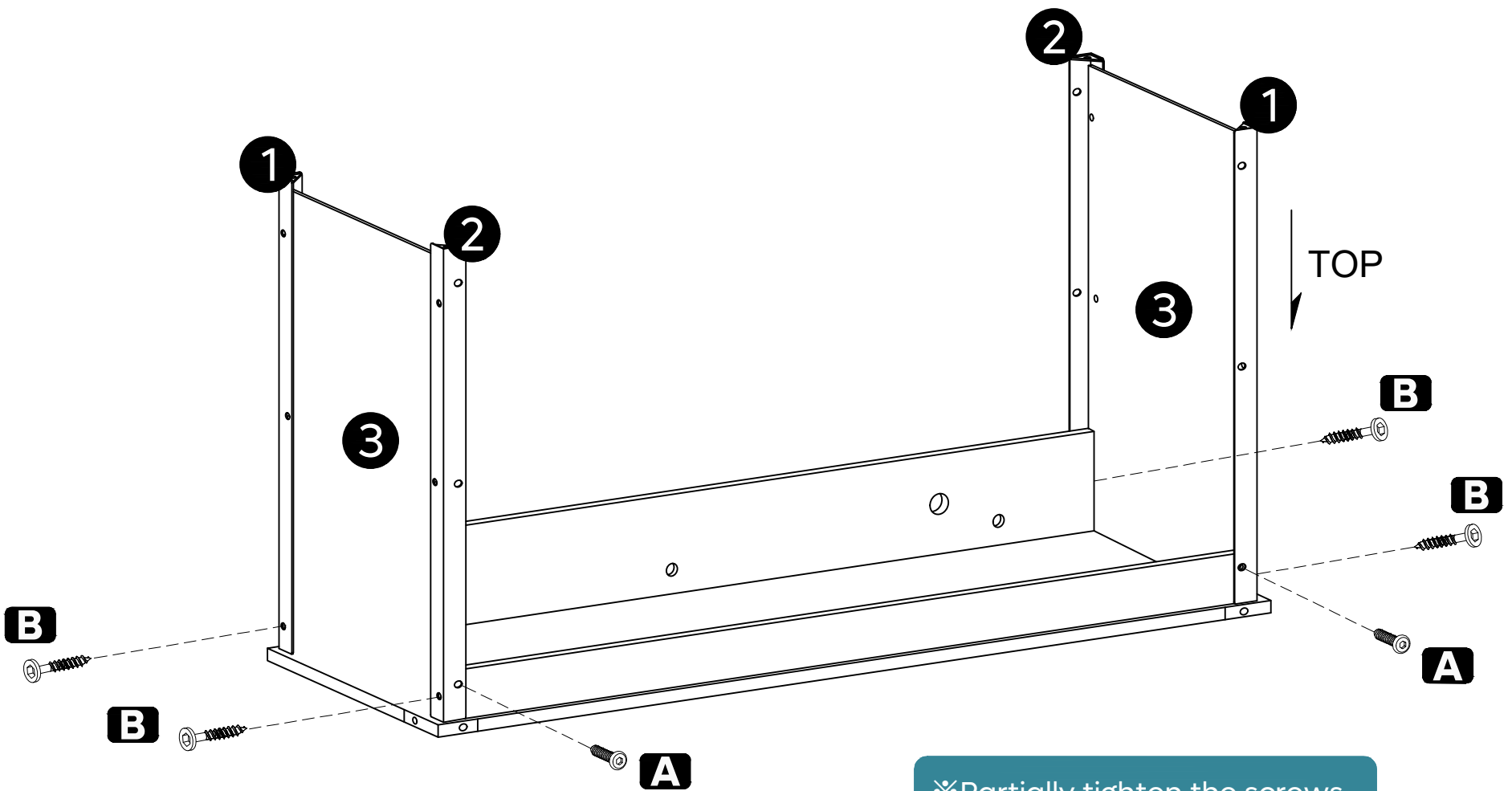


6

F



STEP 4



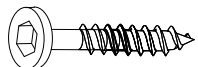
A



6x12mm

2

B



ST5x35mm

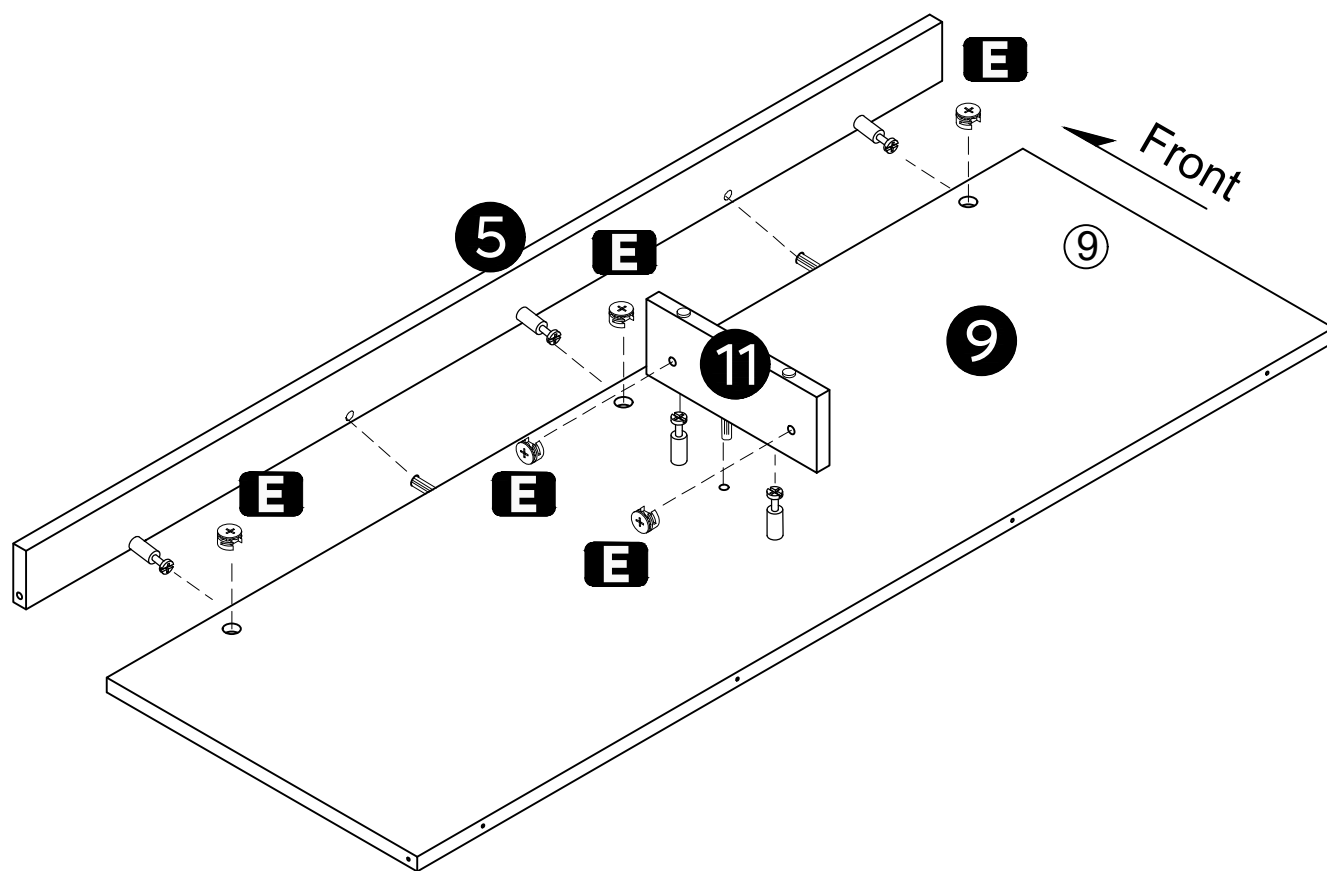
4

F



*Partially tighten the screws.

STEP 5



E



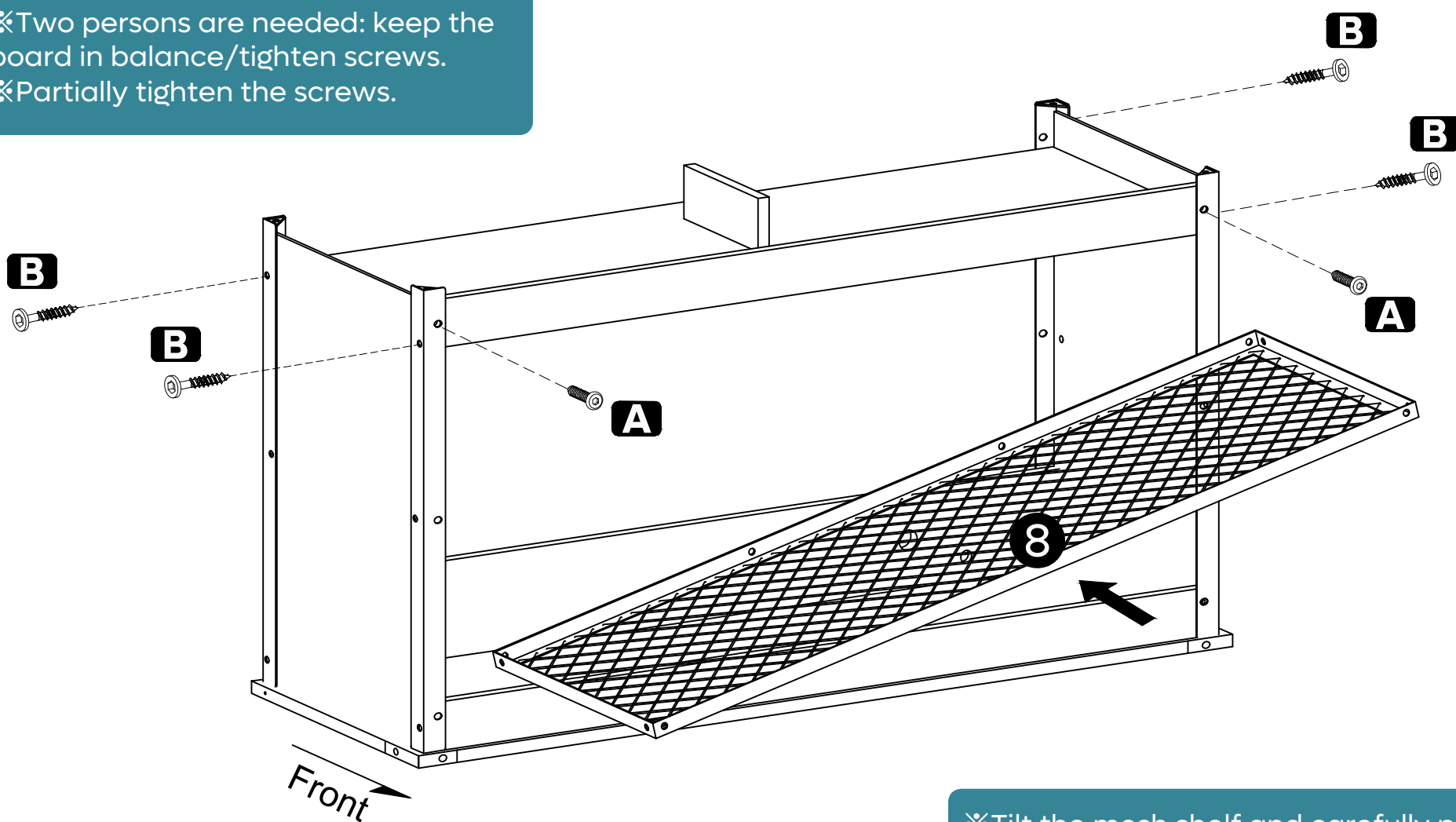
5

F



STEP 6

※Two persons are needed: keep the board in balance/tighten screws.
 ※Partially tighten the screws.



※Tilt the mesh shelf and carefully put it into TV stand.

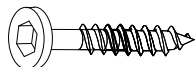
A



6x12mm

2

B



ST5x35mm

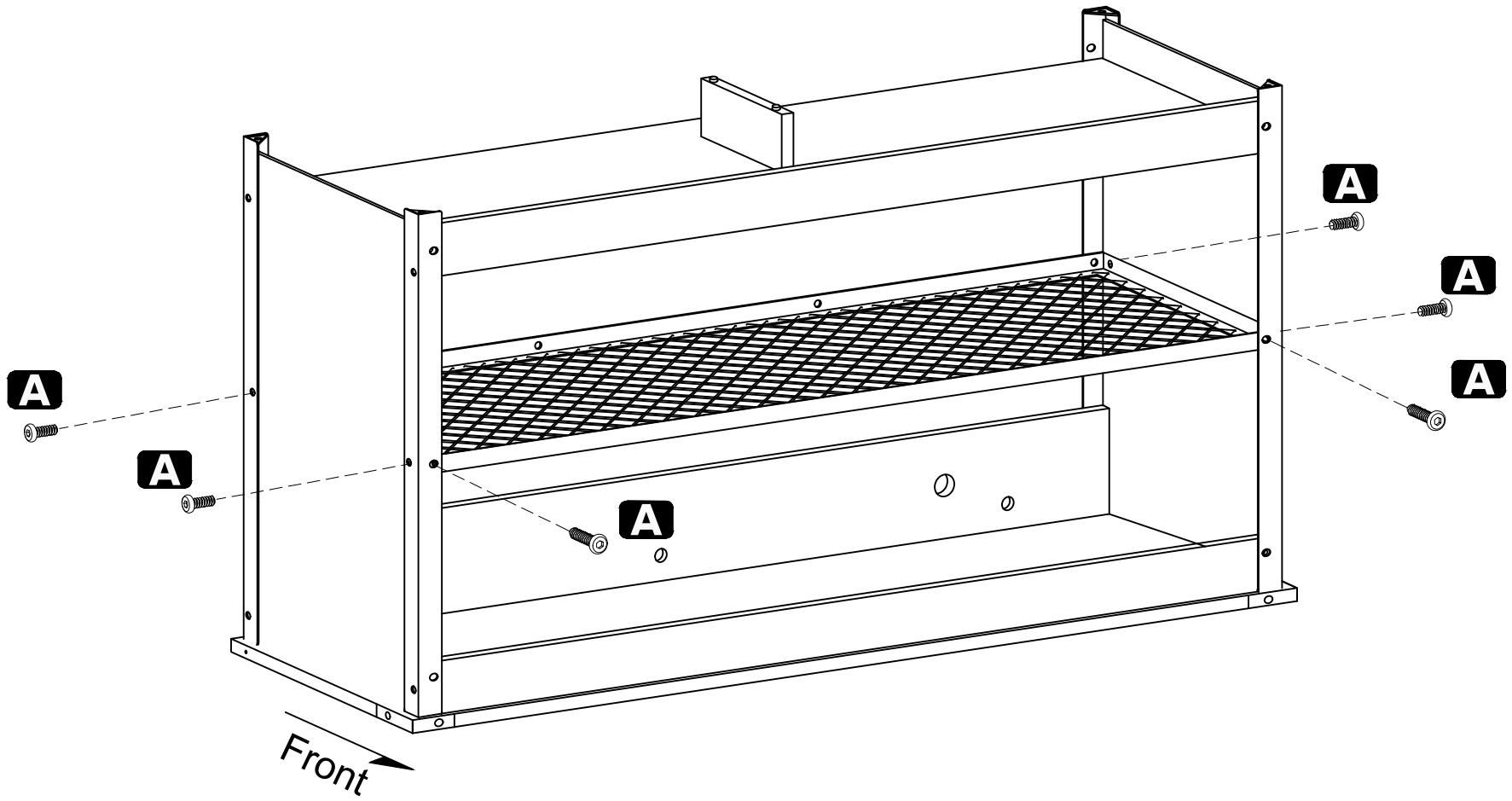
4

F



STEP 7

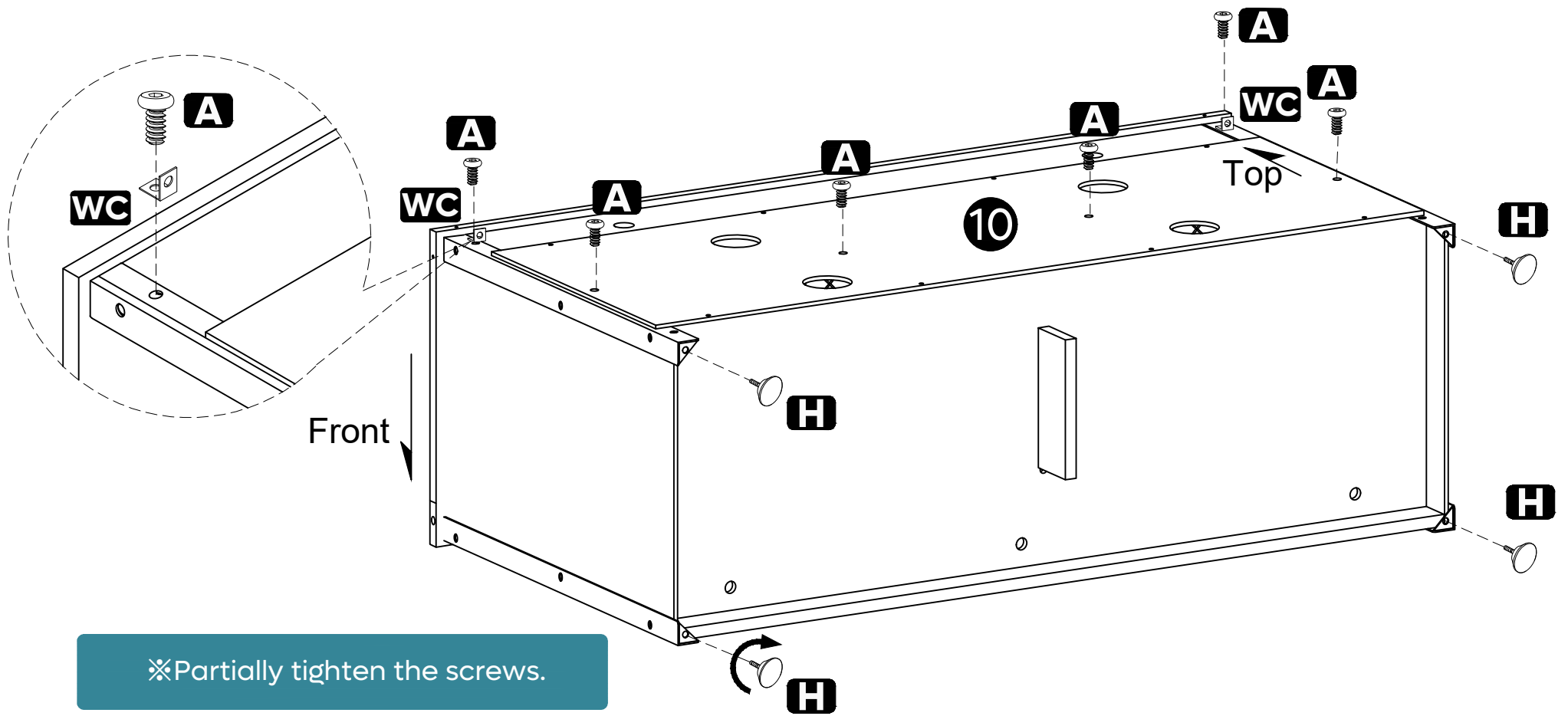
※Two persons are needed: keep the board in balance/tighten screws.



6x12mm 6



STEP 8



※Partially tighten the screws.



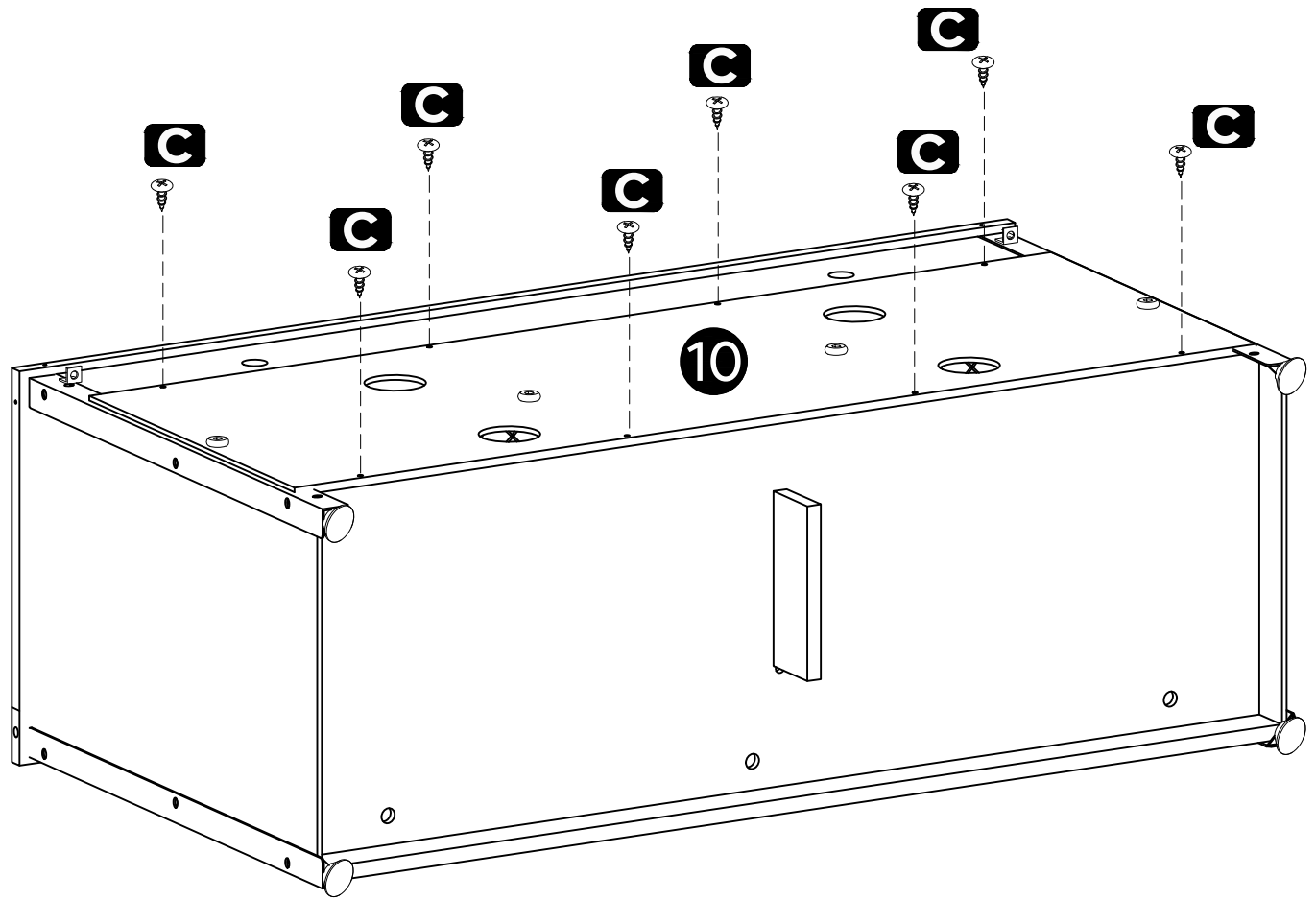
4



6x12mm 6

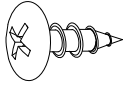


STEP 9



※Fully tighten all screws in this step.

C



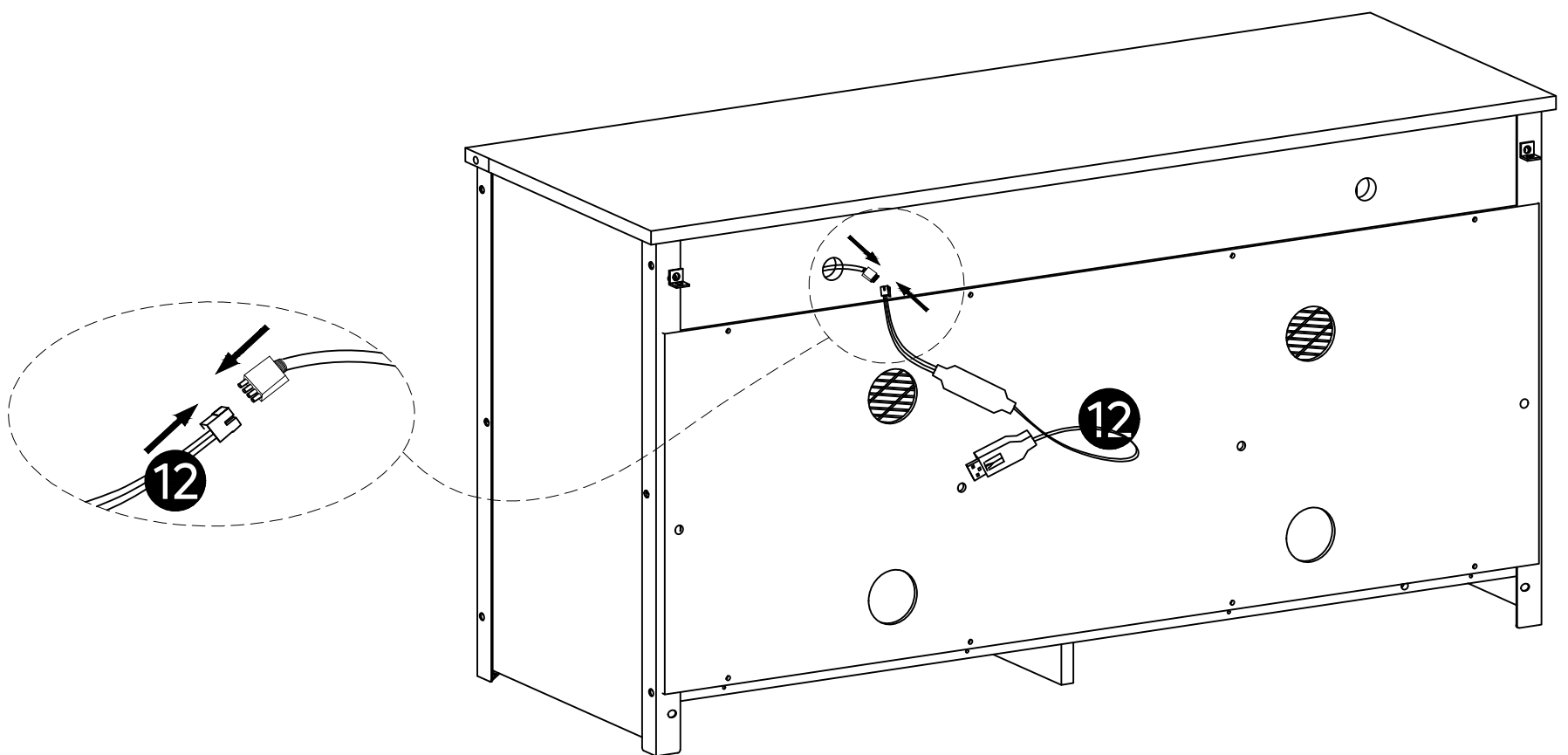
3.5x16mm

8

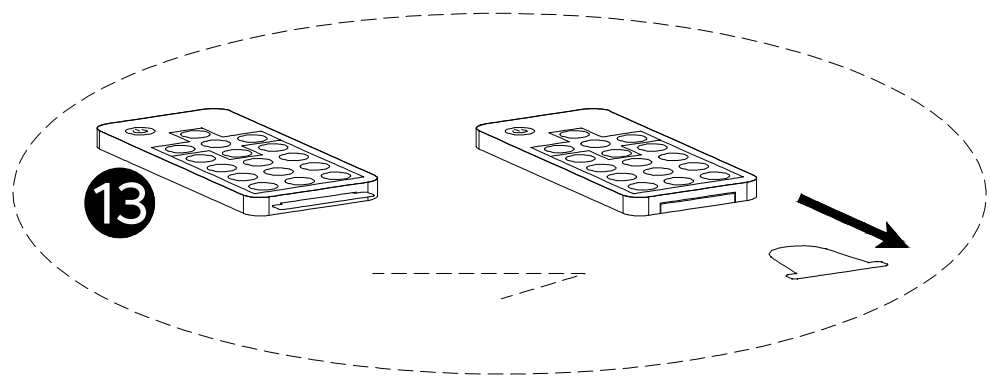
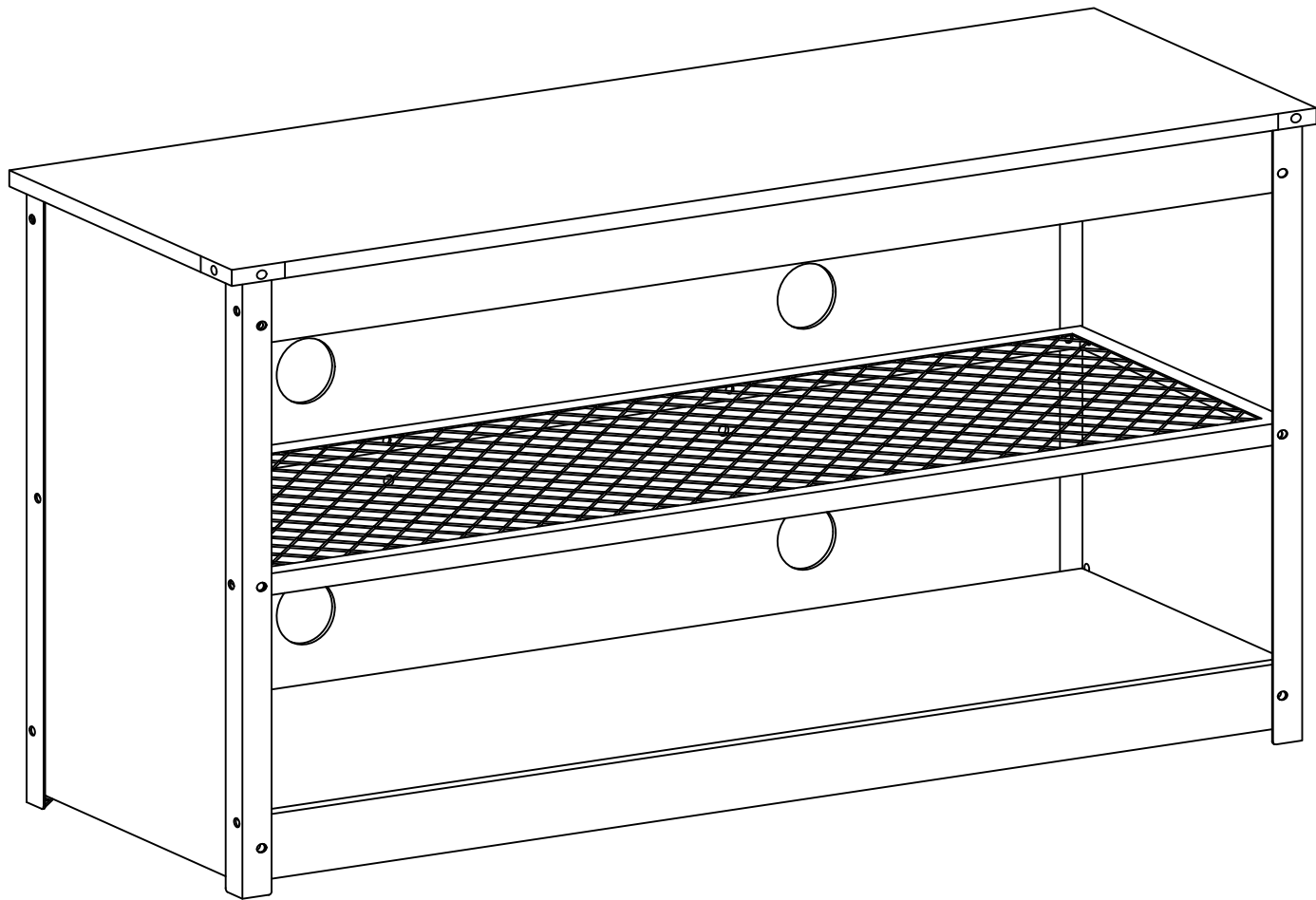
F



STEP 10



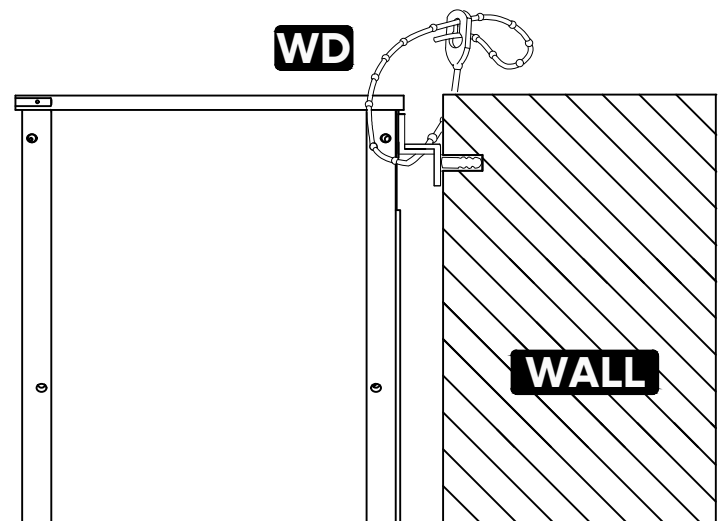
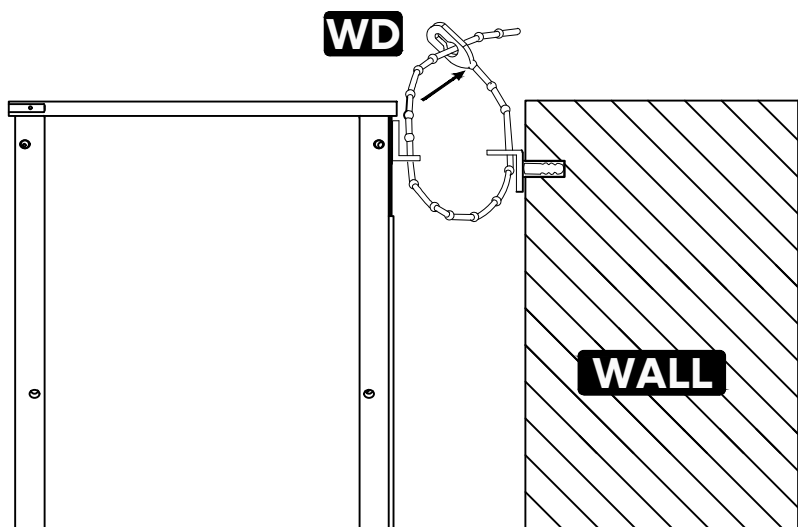
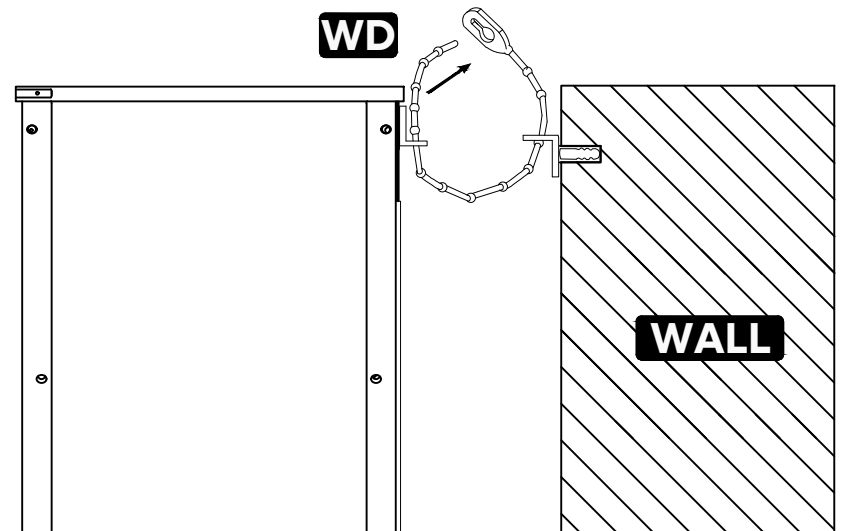
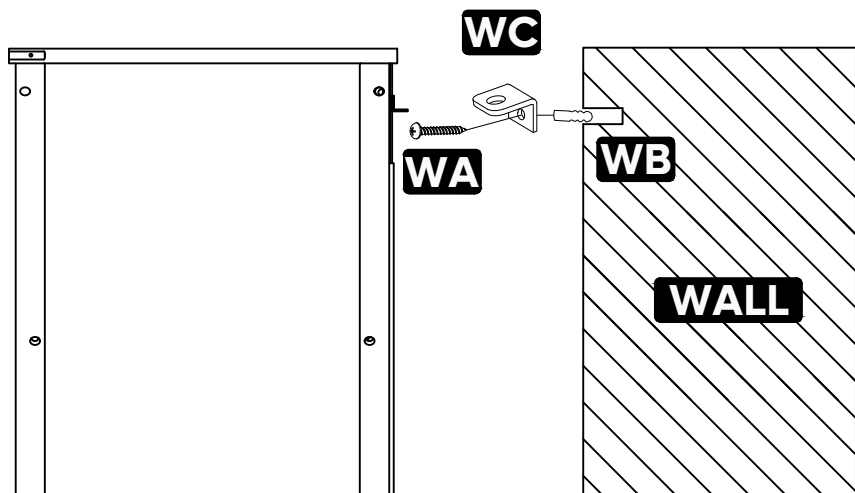
STEP 11




※Take out the insulator before using the remote control.

STEP 12

INSTALLATION FOR ANTI-TIP KIT



| | | | | | | | |
|-----------|---|---------|---|-----------|---|----|---|
| WA |  | 4X25MM | 2 | WC |  | M8 | 2 |
| WB |  | M6x25mm | 2 | WD |  | | 2 |

✂ **Please fasten this TV stand to wall for protection and safety.**

1. Drill 2 holes in the wall and insert WB into holes. Hole position: approximately 2" BELOW the corresponding positions of WC installed on the TV stand.

✂ You may need to use rubber mallet for tapping WB.

2. Use WA to attach WB with WC.

3. Use WD to connect the corresponding WCs and tighten them as desired before locking in place.