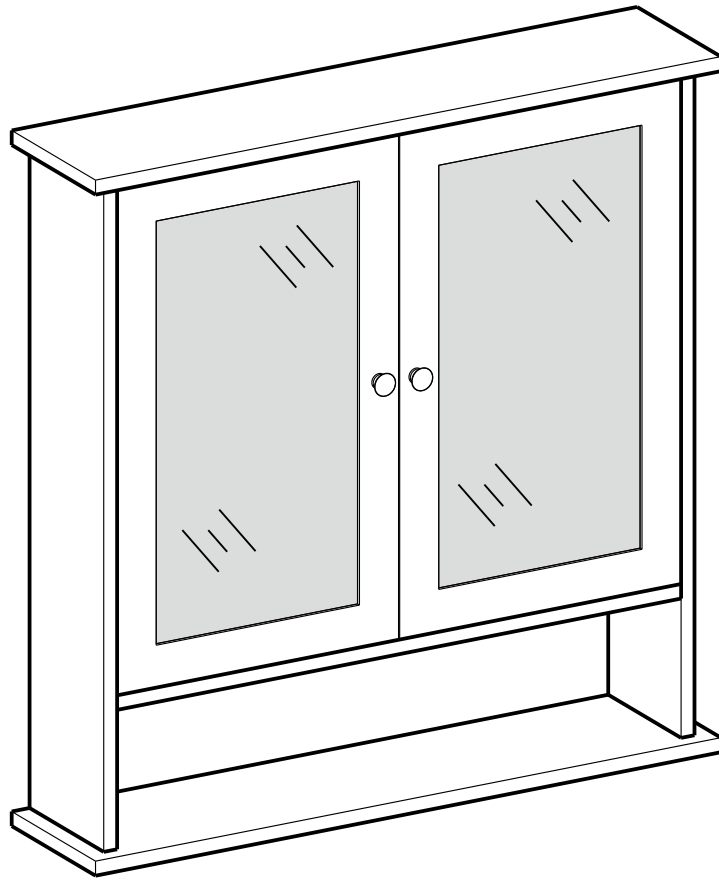


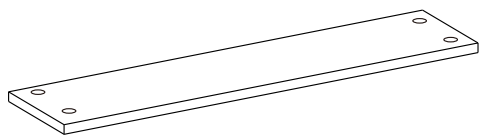
User Manual

<<Before assembling, read all instructions>>



A

× 1



B

× 1



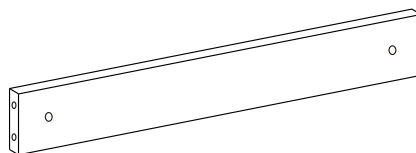
C

× 1



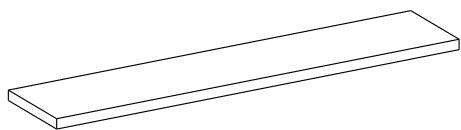
D

× 1



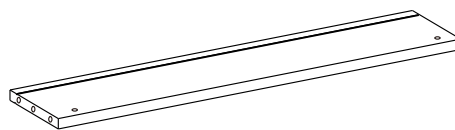
E

× 1



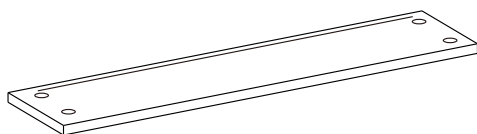
F

× 1



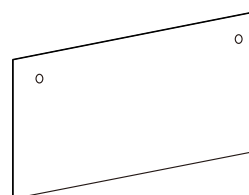
G

× 1



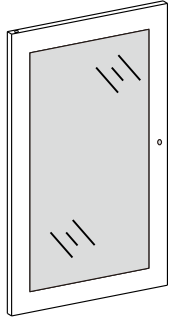
H

× 1



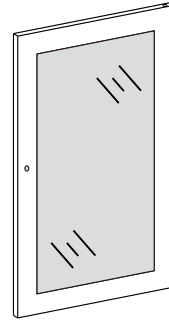
I

× 1



J

× 1



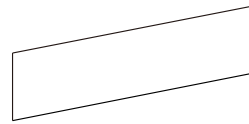
K

× 1



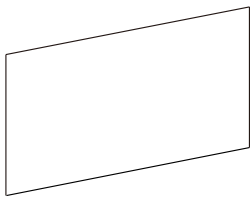
L

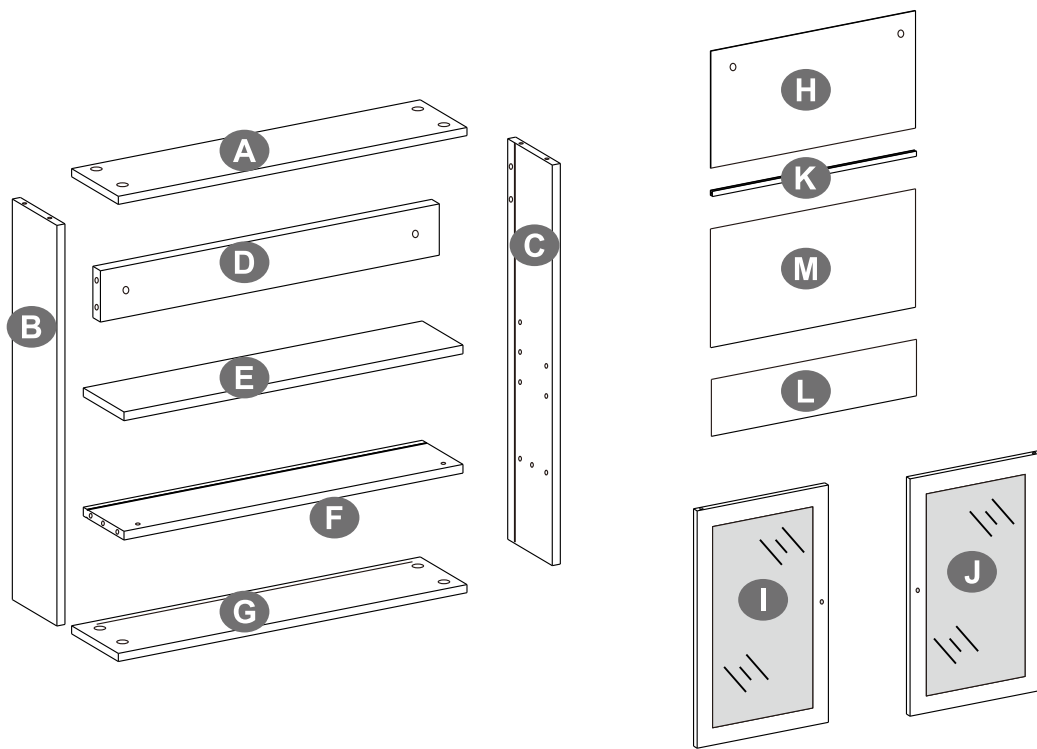
× 1



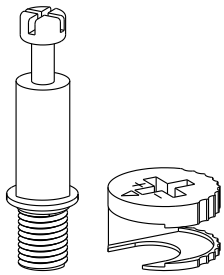
M

× 1





1



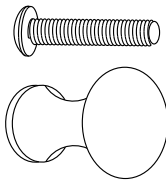
× 2

2



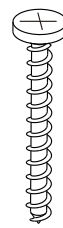
8+1

3



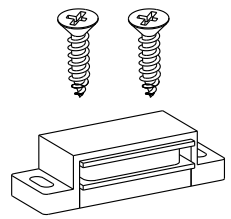
× 2

4



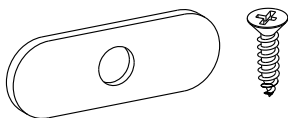
8+1

5



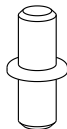
× 1

6



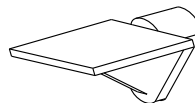
× 2

7



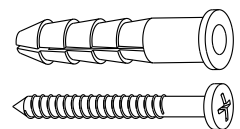
4+1

8



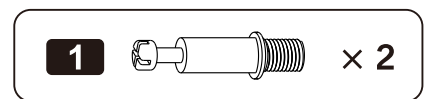
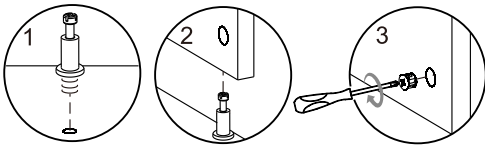
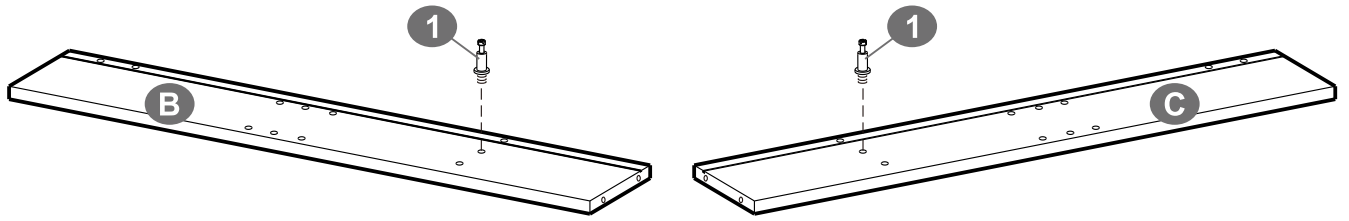
× 4

9

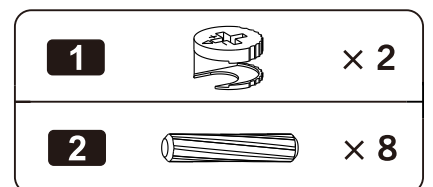
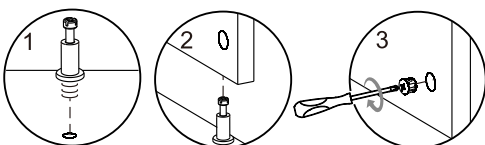
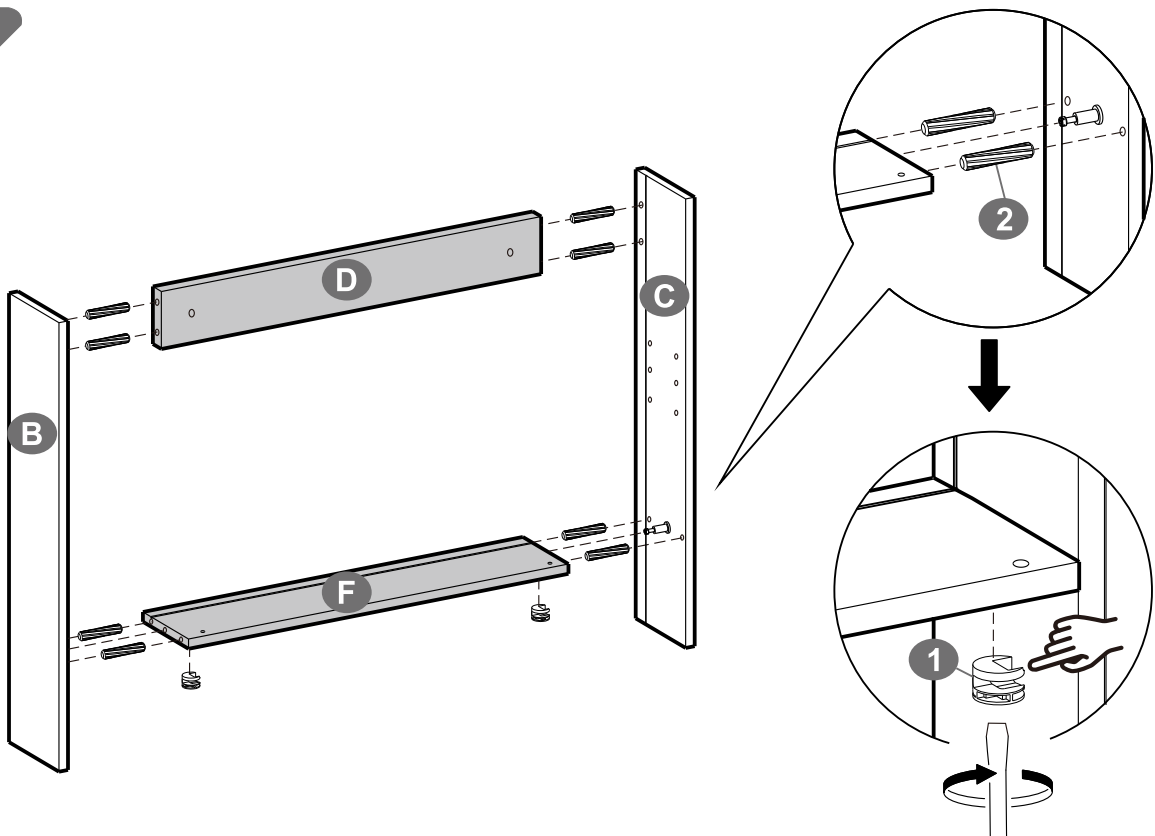


× 2

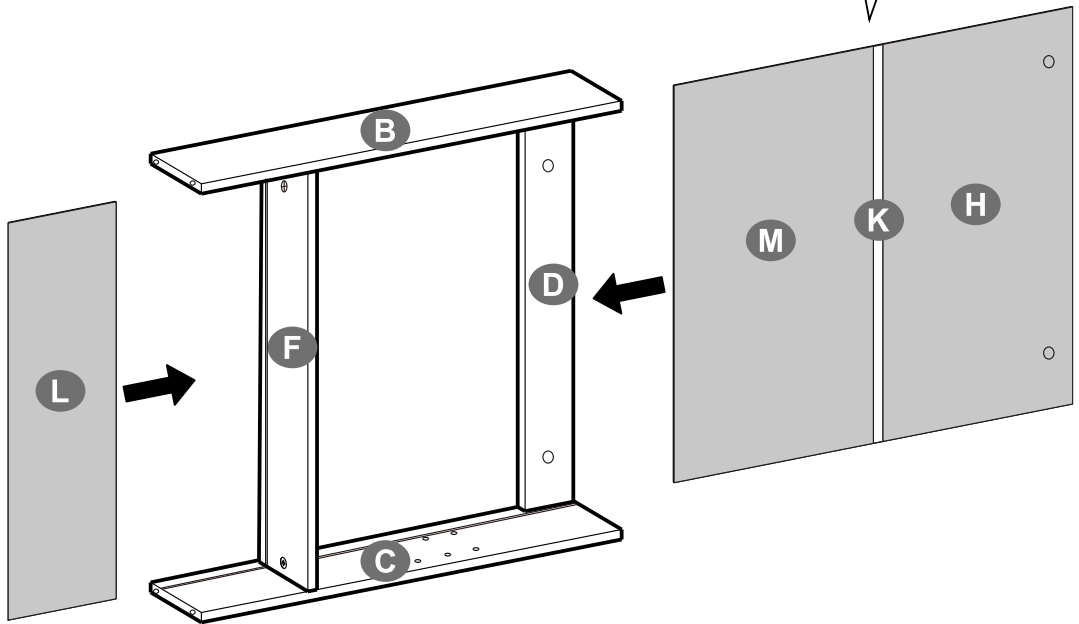
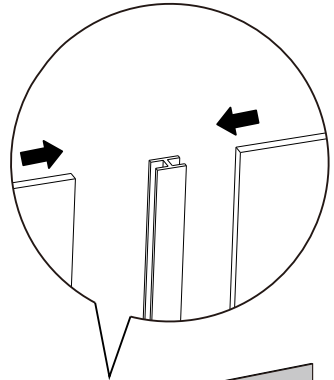
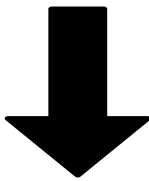
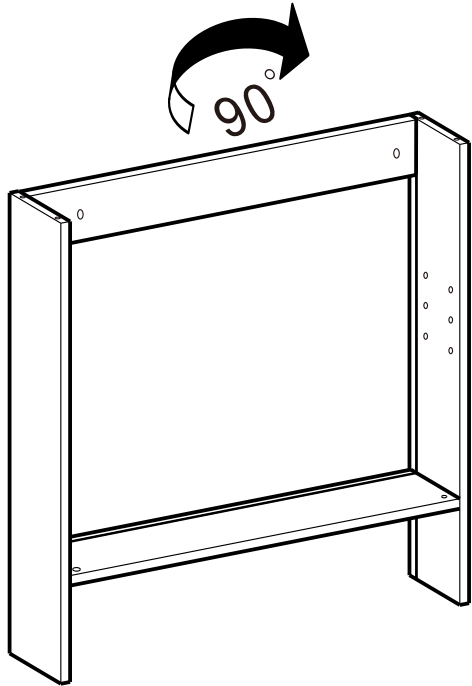
1



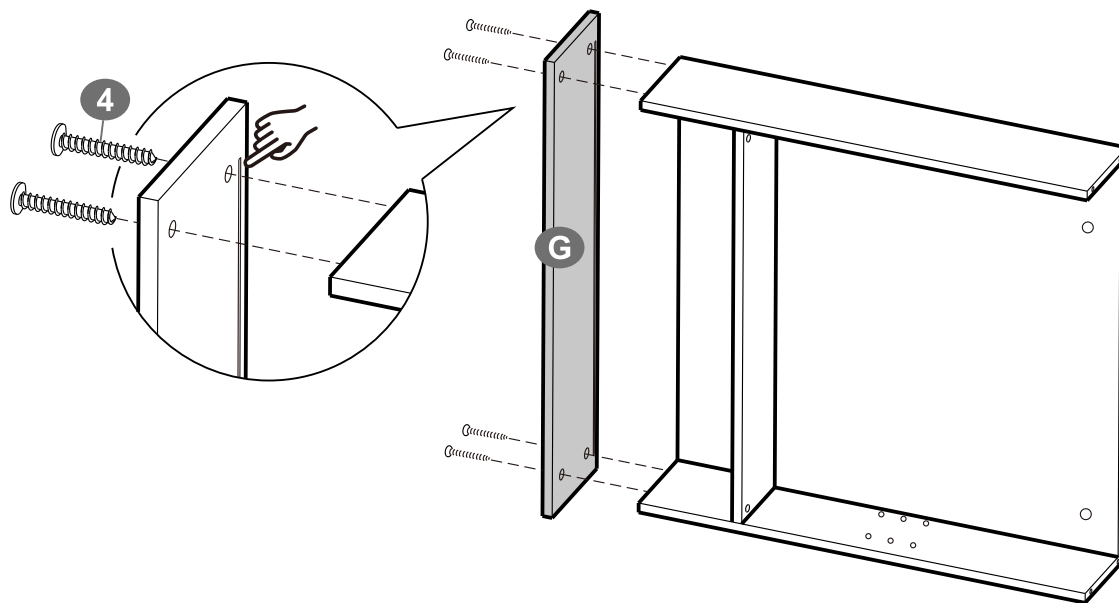
2



3

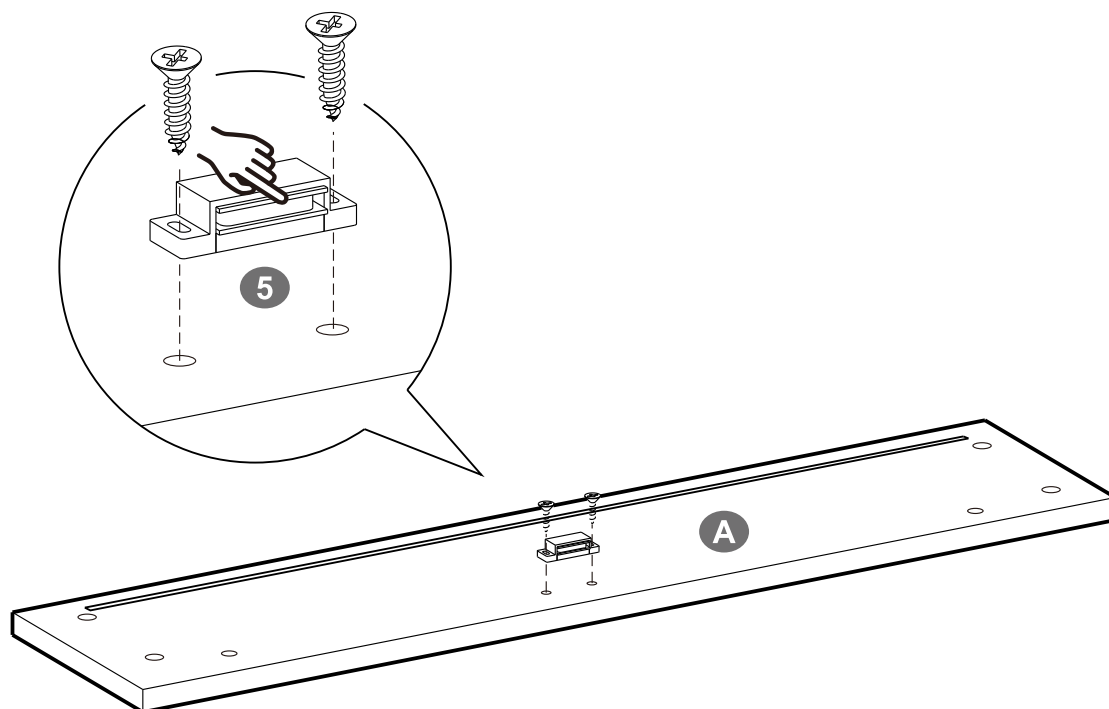


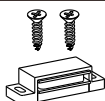
4



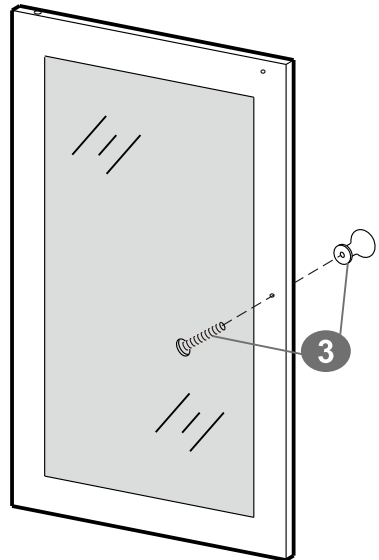
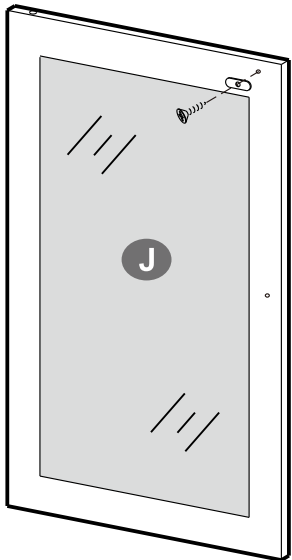
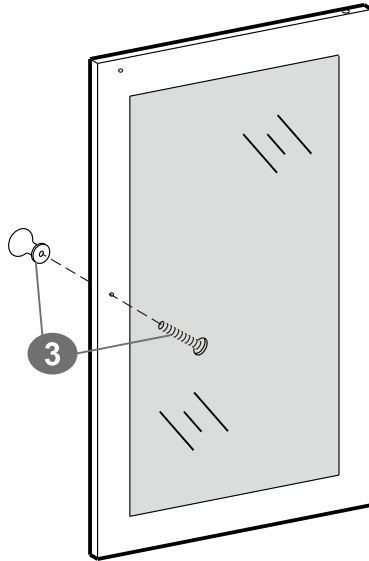
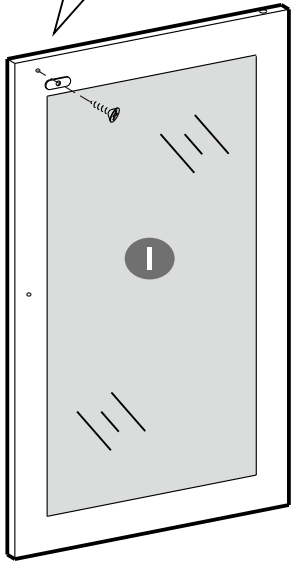
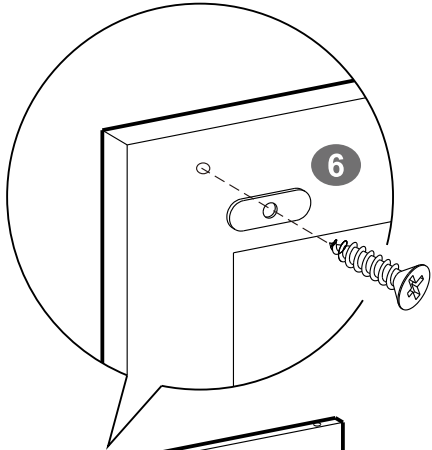
4  × 4

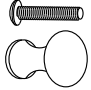

5



5  × 1

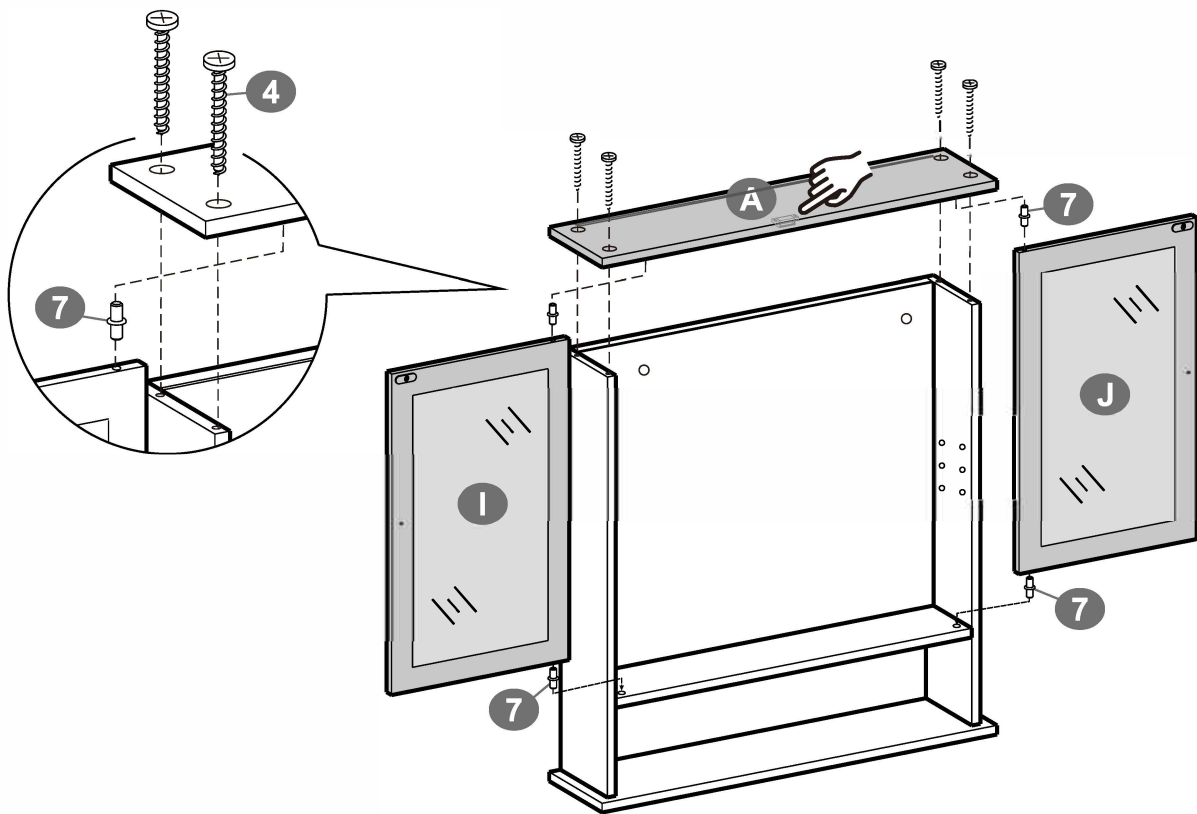
6





3		× 2
6		× 2

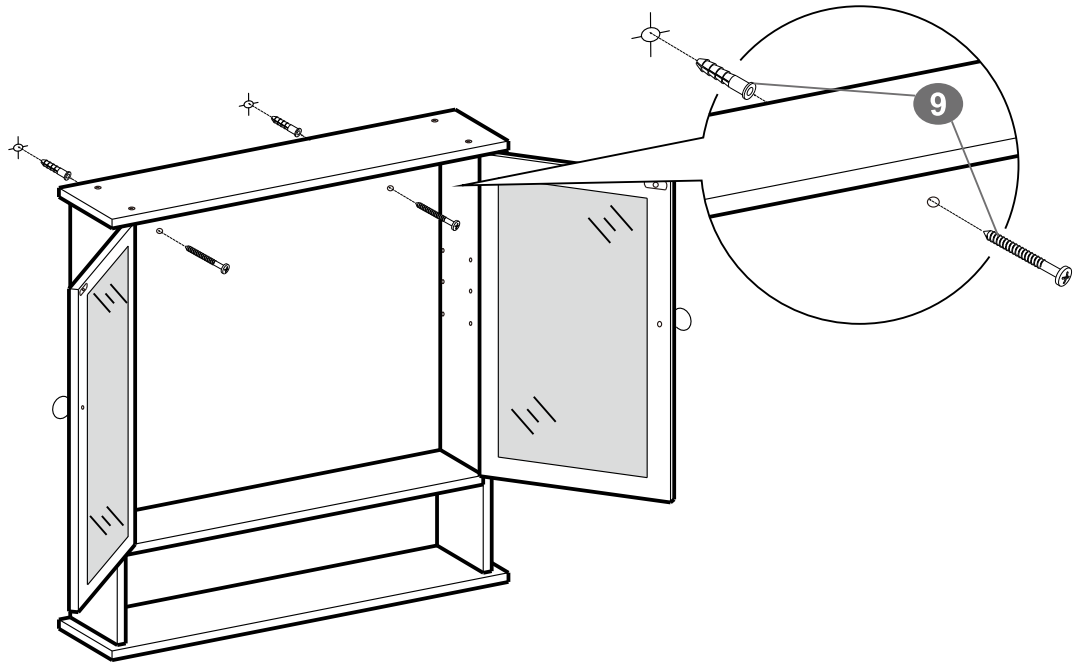
7

- Align the screws with the related pre-drilled holes first, do not tighten them. Later, tighten the screws one by one after putting all the screws in the correct places.
- D'abord positionner et régler les pièces, ensuite effectuer un serrage progressif de l'ensemble des vis.

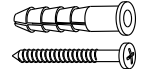


4		× 4
7		× 4

8

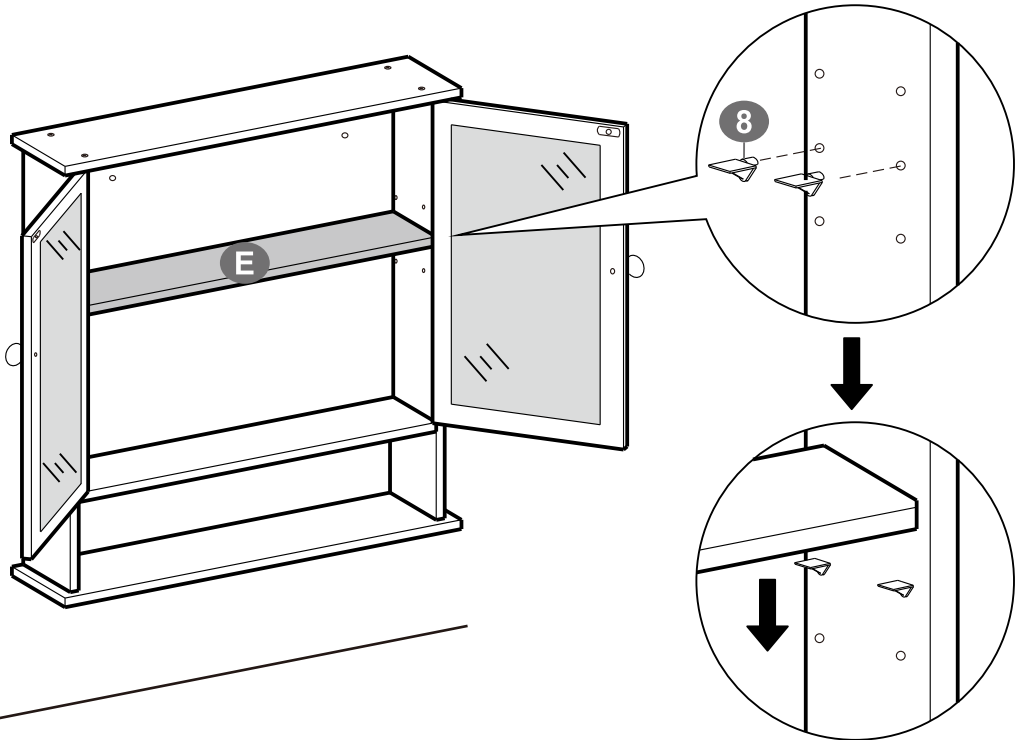


9



× 2

9



8



× 4