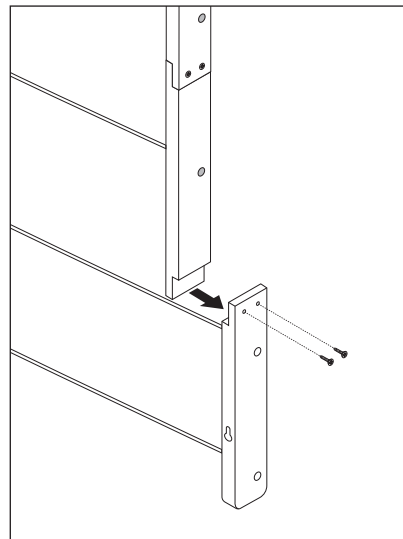
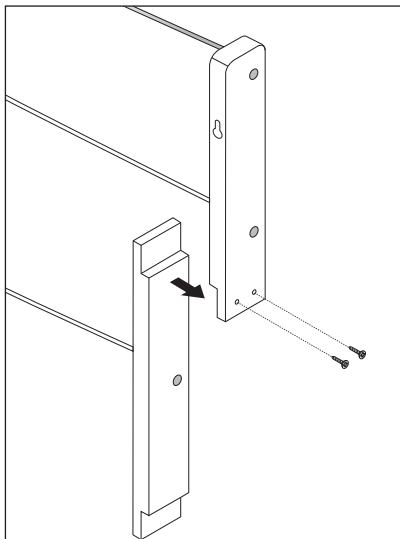
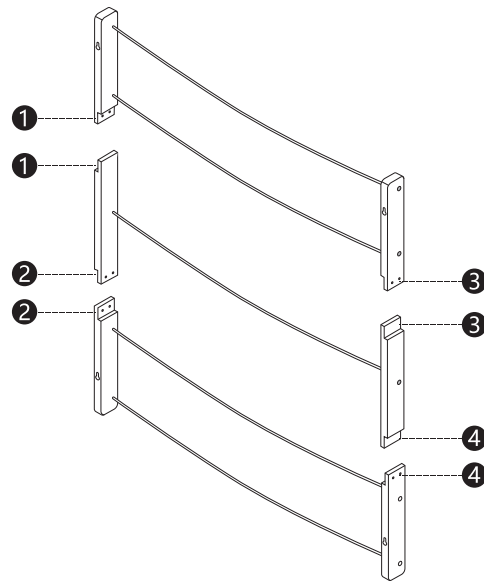


Installation

STEP:1

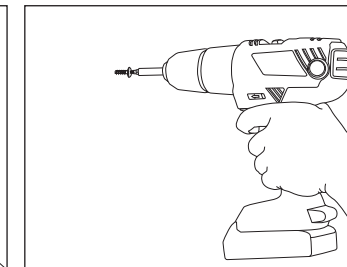
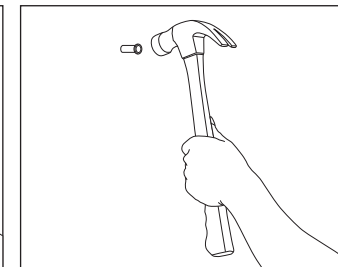
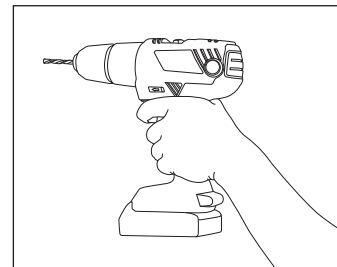
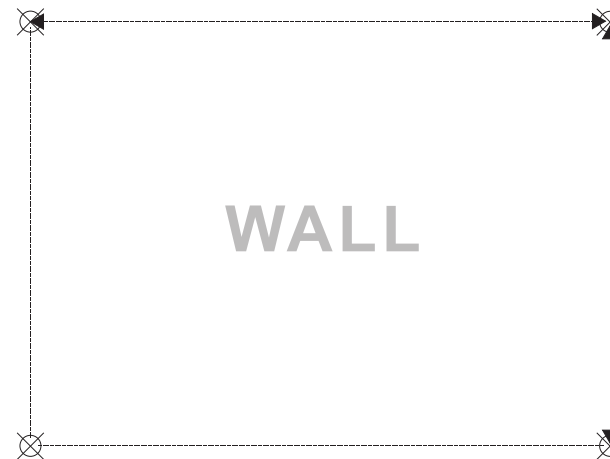
Distinguish 1, 2, 3 and 4 tags, then install 1 and 1, 2 and 2, 3 and 3, 4 and 4 together as illustrated in the picture.



STEP:2

Screw the screws to fix.

W: 735mm



STEP:3

Use level ruler to mark four points on the wall as illustrated in the picture, Drill holes at the marked points, and hammer the wall plugs in, screw the screws in (NOT totally in, leave the screws out for hanging). Then mount the item on the screws and pull down it to fasten. (Please make sure the item is firm attached by screws before use.)