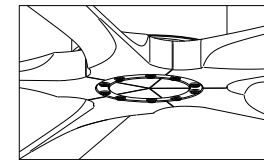
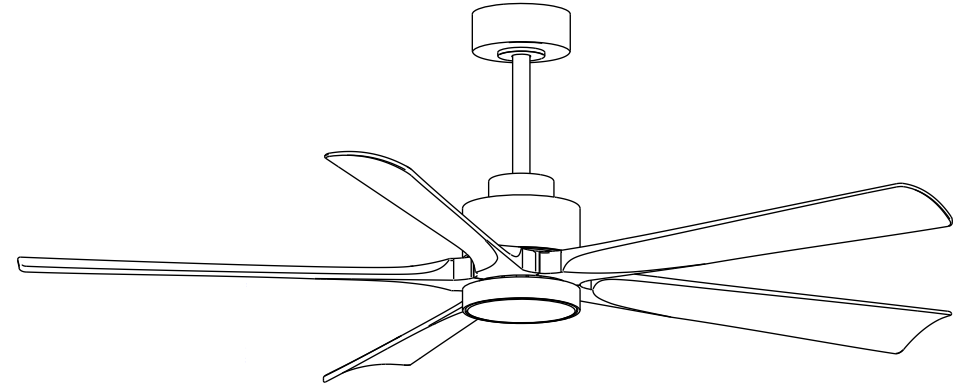


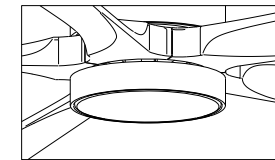
XIII . Ceiling Fan Troubleshooting Solutions & Common Problems

Can't start	1. Check whether the fuse of the external power line of the ceiling fan is blown, whether the automatic protection switch is tripped and the circuit is broken.
	2. Check whether the voltage is seriously lower than the rated voltage of the ceiling fan.
	3. Check whether the internal wiring of the ceiling fan is loose or has poor contact.
Noise	1. Ensure the ceiling fan is not severely impacted before installation
	2. Make sure that the hanging pipe connecting bolt is installed correctly and the hanging pipe solenoid is locked.
	3. The new ceiling fan allows a 24-hour "trial period", after the trial period, most of the ceiling fan noise will disappear.
	4. It is not recommended to install on wooden ceilings, steel structures or prefabricated panels, as this will amplify the sound.
The lamp is defective	1. Check whether the connection wire of the lamp is loose.
	2. Check whether the light switch is damaged, the wire end is loose or the contact is poor.
	3. Check whether the light source is burned out
Fan wobble	1. Check whether the mounting bracket is locked
	2. Check if the screw of the lock blade is locked
	3. Check whether the screw of the blade retracted to the motor is locked
	4. Can it be installed on the inclined ceiling? Yes, pay attention to the inclination angle not exceeding 30 degrees (pay attention to whether the drop ball will press the fan control)

Installation Instruction



WITHOUT LIGHT KIT



WITH LIGHT KIT

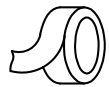
PLEASE READ AND SAVE THESE INSTRUCTIONS

I、Precautions

Before using this ceiling fan with light, please read this manual carefully and operate strictly in accordance with the procedures.

- 1 The input voltage of this product: 120V/60Hz
- 2 If you have insufficient knowledge of electrical appliances, be sure to hire an experienced expert to install them.
- 3 Before installing and disassembling the ceiling fan light, please turn off the power first. The installation must be installed in the order of ground wire, live wire, and neutral wire. Before disassembly, it must be disassembled in the order of neutral wire, live wire and ground wire to avoid electric shock.
- 4 The ceiling fan must be installed on a solid ceiling, and the location of the ceiling fan must be able to withstand a gravity greater than 60 KG.
- 5 When installing the ceiling fan, all screws must be securely locked.
- 6 When the ceiling fan is rotating, no objects should touch the blades to avoid danger.
- 7 The angle and elevation of the leaf frame are determined after many repeated measurements, so it cannot be changed at will. When installing the leaf frame and blades, special care should be taken not to force collisions. If the angle and elevation angle of the leaf frame are deformed that will cause the ceiling fan to shake.

II、Prepare tools before installation:



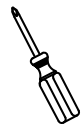
Electrical Adhesive tape



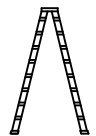
14 open spanner



Slotted Screwdriver



Phillips screwdriver



Telescoping ladder



Pliers

1

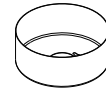
III、Basic parameters

- 1 Voltage: 120V/60Hz
- 2 Power: Motor power: 30W LED power: 24W
- 3 Speed + Color change: 6 speed+3 color temperatures(Cool white light 6500K+ warm light 3000K+ neutral light 4500K)
- 4 Number of rotating leaves: 5 blades
- 5 Fan blade material: Solid Wood
- 6 Motor material: Pure copper wire winding and high-quality silicon steel stator, high efficiency, super quiet, energy saving.
- 7 Control method: Remote control
- 8 Diameter: 60 inch
- 9 Reversible : YES

IV、Installation steps and instructions

※ Ceiling Fan Kit

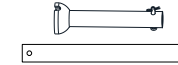
Before the ceiling fan is installed, there are the following accessories in the carton, please check them one by one, if there is no shortage, you can install it.



1*Canopy



1*Mounting Bracket



2*Downrod



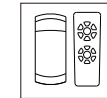
1*Coupling cover



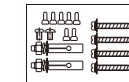
1*Decorative cover



1*Instruction

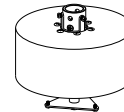


1*Remote control
1*Receiver



1*Screw package

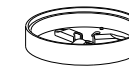
General



1*Motor



5*Blades

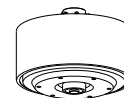


1*Lamp Plate+LED



1*Lampshade

With light kit



1*Motor



5*Blades



1*Decorative ring



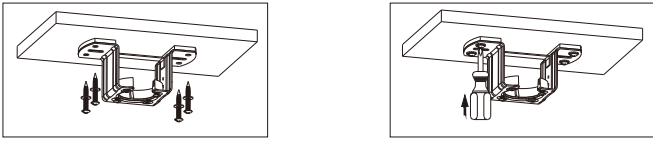
Allen key

Without light kit

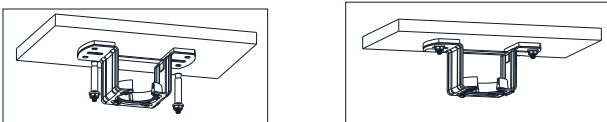
2

V. Mounting Bracket Fasten Method

1. Wood ceiling: Drill the mounting bracket directly into the wood ceiling with wood screws (4 pieces) or Use tools to fix the mounting bracket tightly.(The ceiling must bear more than 60KG)

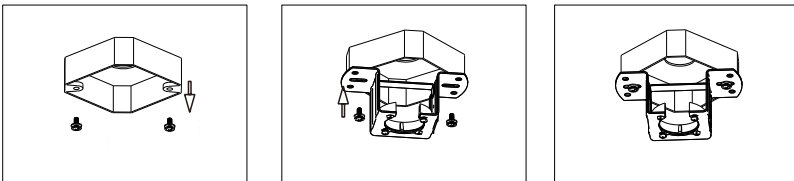


2. Concrete ceiling: First use an $\phi 8\text{mm}$ hammer drill bit to drill the hole according to the length of the expansion screw, then use the equipped expansion screws(2 Pieces) to fix the bracket on the ceiling, and then tighten the nut of the expansion screw.



Please use 8mm drill hole before installing with M6 expansion screws

3. Install the hanger bracket to the outlet box
 - a. Take off the screws on the outlet box.
 - b. Install the hanger bracket to the outlet box by screws



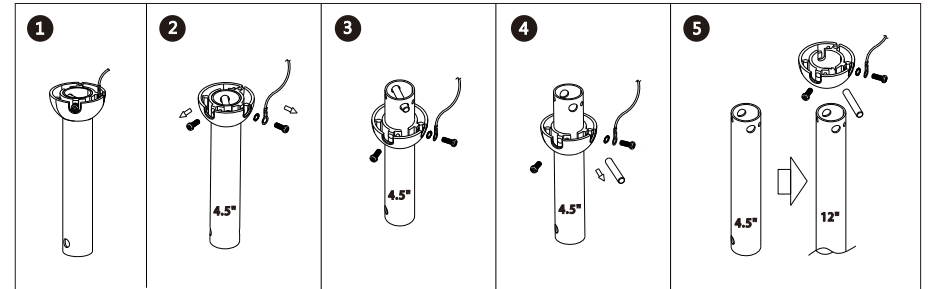
Note:

- 1). According to the ceiling of different materials, use different screws to fix the mounting bracket (as shown above).
- 2). After the bracket is fixed, it must be determined to be able to bear the weight of more than 60 kg(test pull by hand) for safety.
- 3). Ceiling fans cannot be installed on gypsum ceilings.
- 4). To reduce the risk of fire, electric shock, or personal injury mount to an outlet box marked "Acceptable for Fan Support".Use the mounting screws provided with the outlet box. Most outlet boxes commonly used for supporting lighting fixtures are not acceptable for fan support and may need to be replaced.
Consult a qualified electrician if in doubt.

VI. Suspension Installation

1. Select the downrod
 - a. There are two downrods of 4.5inch and 12inch in the package, customers can choose according to the height of the house.
 - b. The normal default is to install on the 4.5inch downrod.
 - c. How to replace the 12 inch Downrod:

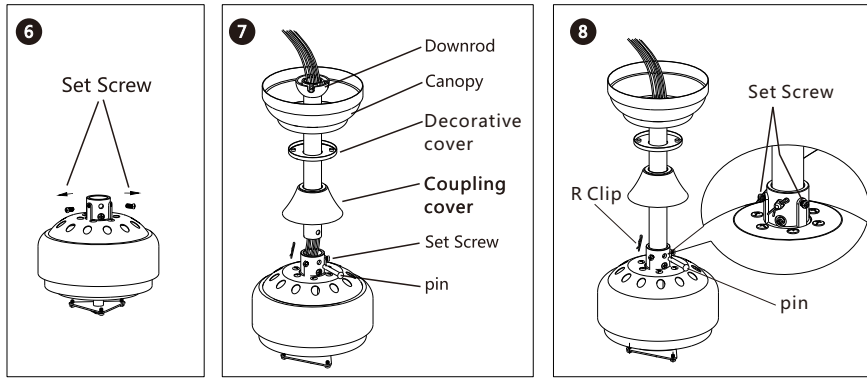
Notice: Make sure the fan blades at least 7 feet above the floor



- 1). Loosen the two fixing screws (as shown in Figure 2).
- 2). Push the downrod upwards (as shown in Figure 3) out of the horizontal tip (as shown in Figure 4).
- 3). Then pull out the 4.5 inch downrod to replace another 12 inch downrod (as shown in Figure 5).
- 4). After replacement, follow the above installation steps 4-3-2 to install until it is restored to the state shown in Figure 1.
- 5). Finally, you must pay attention that the two fixing screws must be firmly locked.

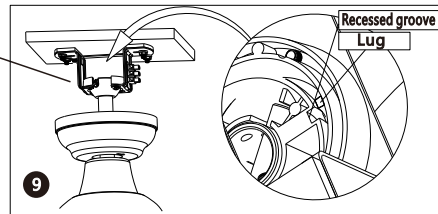
2. How to install Suspension Installation

- a. Remove the positioning screws from the fan body as follows and place them side by side to proceed to the next step (Fig 6)
- b. Get off the pin off the downrod by remove the R clip, and get the lead wire through the downrod and canopy, then seat the downrod into the fan body & rotate the downrod until the holes on the downrod will match with the holes on the fan body, finally, you should get the pin through the holes and fix the pin by the R clip in another side (Fig 7)
- c. Tighten the two set screws removed previously.



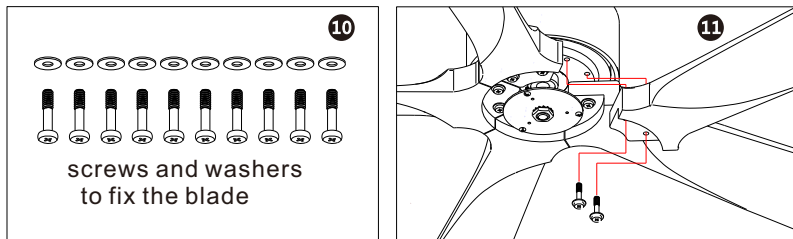
3. Hang the fan on the hanger, and then slowly rotate the fan downrod to make the lugs on the hanger fit with the groove of the hanging ball on the downrod. (Fig 9)

※ The groove on the downrod ball must be exactly the same as the lug on the hanger.



VII. Install the blades.

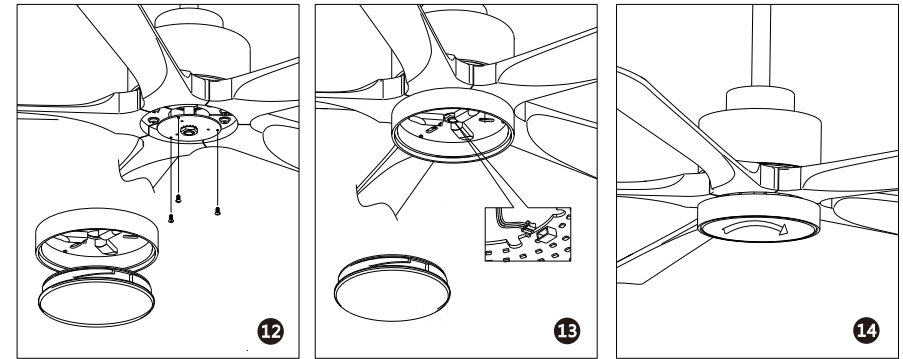
1. Take out the blade screws from screws package, Install the blade to the motor and tighten the screws. (Figure.10)
2. Install the blade assembly to the motor in place, make sure all the screws are tighten properly. (Figure.11)



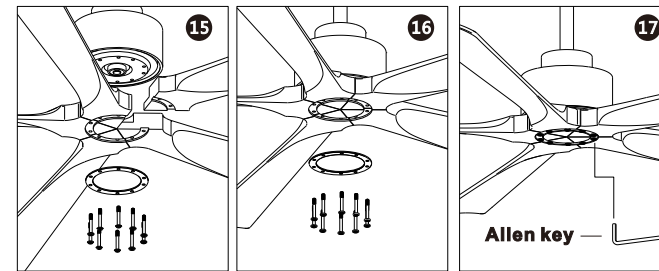
VIII. Install the lamp.

1. As shown in Figure 12 below, remove the three fixing screws from the lamp plate holder base and lock the lamp plate hole corresponding to the holder base hole with screws.

2. Plug the 2 light kit wires into LED module power socket. (Figure 13)
3. Install the lamp shade to the lamp plate in place properly. Then turn it clockwise, Make sure the lamp shade tightening. (Figure 14)

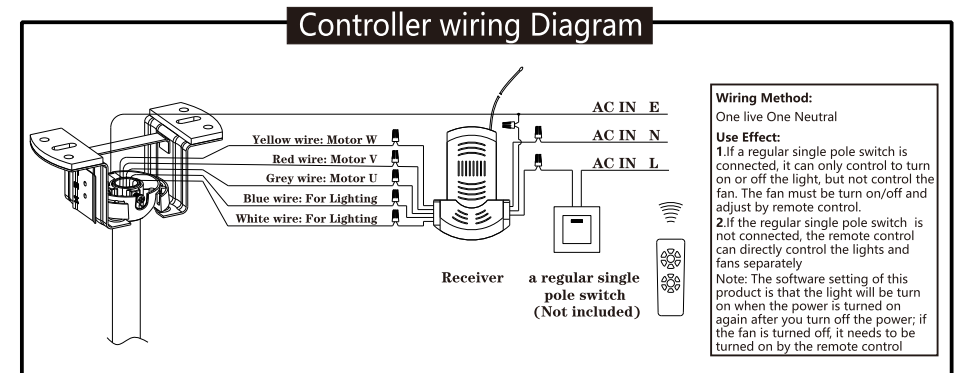


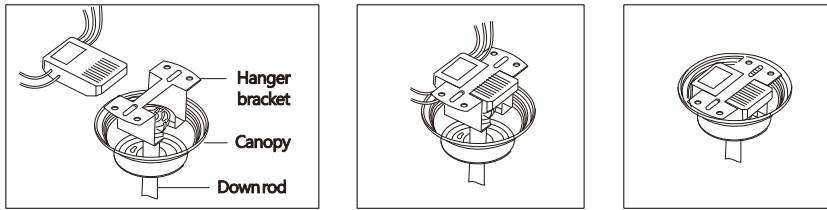
4. If you fan without light kit, please install the decorative ring to the blade. (Figure 15-16-17)



IX. Wiring

※ The all-pole disconnect circle breaker with a contact distance of 3mm must be connected to the fixed wiring.

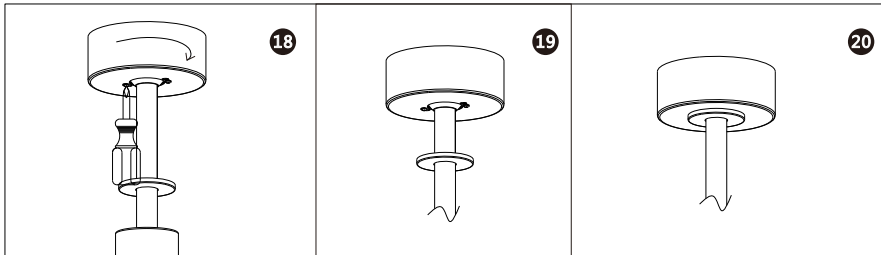




1. Connect the live wire from ceiling to receiver black wire(AC IN L).
2. Connect the neutral wire from ceiling to receiver white wire(AC IN N)
3. Connect the Grey wire(Motor U) from motor to Grey wire(Motor U) from receiver.
4. Connect the red wire(Motor V) from motor to red wire(Motor V) from receiver.
5. Connect the yellow (Motor W) from motor to yellow wire (Motor W) from receiver.
6. Connect the blue wire(FOR LIGHT) from motor to blue wire (FOR LIGHT) from receiver.
7. Connect the white wire(FOR LIGHT) from motor to white wire(FOR LIGHT) from receiver.

X. Canopy Installation

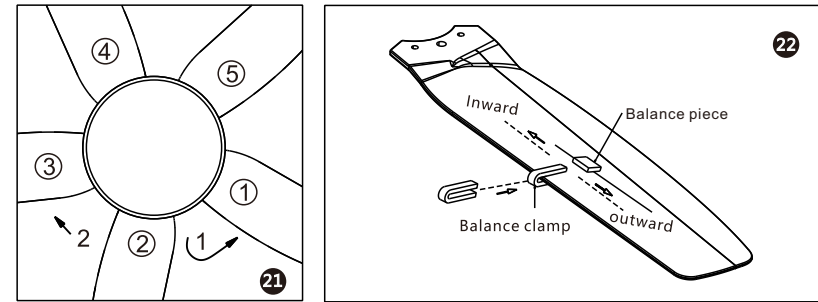
✘ After wiring, please loosen the two screws pre-installed on the mounting bracket to match the two holes on the canopy (Figure 18-19-20)



XI. Balance adjustment method of ceiling fan.

If there is any wobble after ceiling fan installation, please confirm whether the screws that fix the hanger ball, mounting bracket, hanger, blade holder, and blade are locked. If one of the above parts is not locked, please re-lock it. If it is locked, please adjust it as follows.

1. Change the position of the fan blades: (Fig 21)
 - a. There is no improvement after the swap blades position. Please remove the fan blades 2 and 3 and re-lock each other to observe the effect.



2. Adjust with balance kit.
 - a. Take out the balance bag from the package box, use a balance clamp to select one of the fan blades and clamp the balance clamp on the edge of the tail end of the fan blade (Figure 22)
 - b. Turn on the fan switch to see whether the wobble of the ceiling fan has been reduced. If it does not improve, try another fan blade. Experiment with all the fan blades in turn to find the blade with the weakest clamping balance.
 - c. Clamp the balance clamp on the fan blade with the weakest wobble, move it in or out on the edge of the fan blade, turn on the ceiling fan to find the best position of the balance clamp to control the wobble balance (Figure 22)
 - d. Take the balance sticker, tear off the double-sided tape of the balance sticker, and stick the balance sticker on the center of the blade at the position of the balance clip (Figure 22)

XII .Precautions

Warning

In order to prevent fire and electric shock, it is forbidden to install and use the electric switch which is not equipped with this ceiling fan.

Maintenance and repair of ceiling fans

1. It is recommended to check the connecting parts of the fan as least once a year, such as the hanger, the hanging pipe fastening screw and the fan blade, to ensure that their connection is still safe and reliable.
2. Clean the ceiling fan regularly to keep the surface clean and clean. When removing surface dust, please use a soft brush or cloth. When removing oil or laminate, wipe it off with a slightly wet cloth. Do not rinse with water directly.
3. Motor bearing is already provided with grease, do not add lubricating oil to the motor of ceiling fan. To avoid scratching the surface.