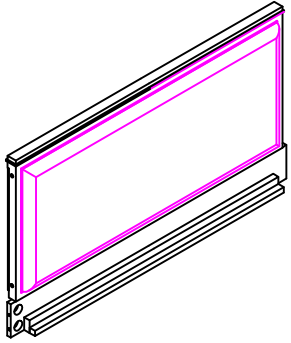
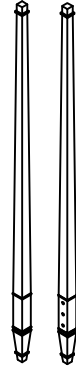


AXH83008 ASSEMBLY INSTRUCTION

P1 Uph Headboard (x 1pc)



P4 Leg Footboard (L&R)
(x 1pc)



1 Steel threaded bar:
Ø10 x 138mm
(x 4pcs)



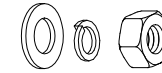
2 Brass Tube
(x 4pcs)



3 Half moon washer
(x 16pcs)



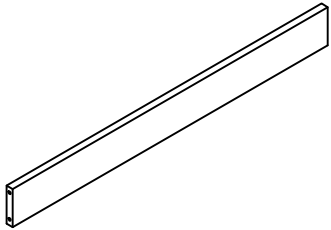
4 Hexagonal nut, lock,
flat washer (x 20pcs)



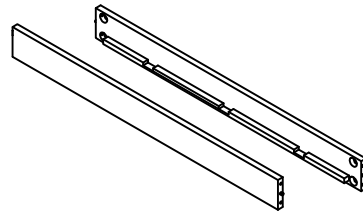
5 Steel threaded bar:
Ø10 x 85mm
(x 16pcs)



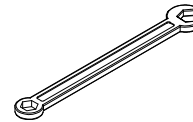
P2 Panel Footboard (x 1pc)



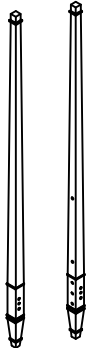
P5 Side rail (x 1pc)



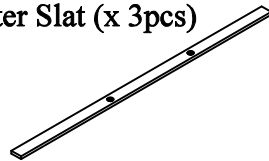
6 Steel open wrench
(x 1pc)



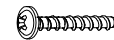
P3 Leg Headboard (L&R)
(x 1pc)



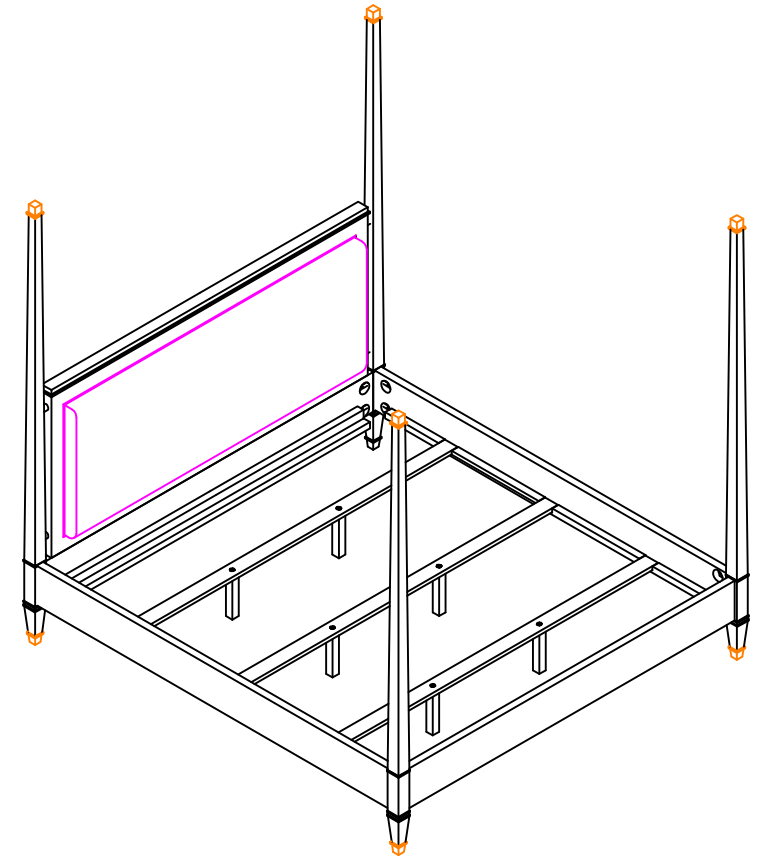
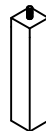
P6 Center Slat (x 3pcs)



7 Wood Screw (22pcs)

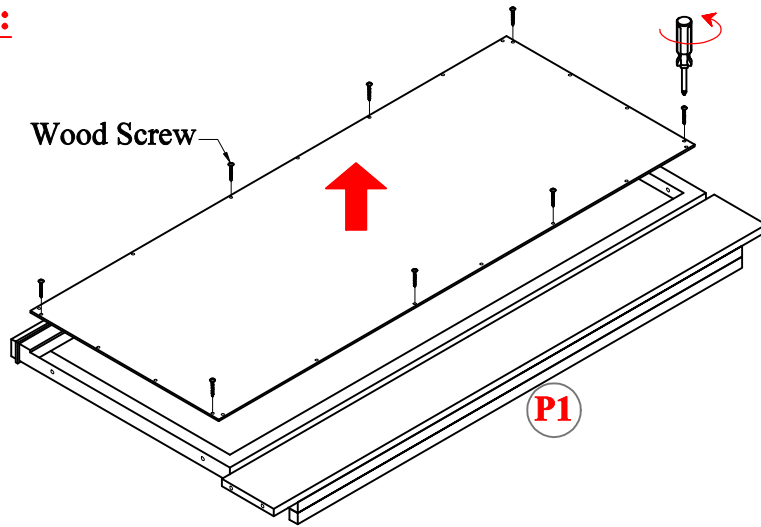


P7 Center Support (x 6pcs)

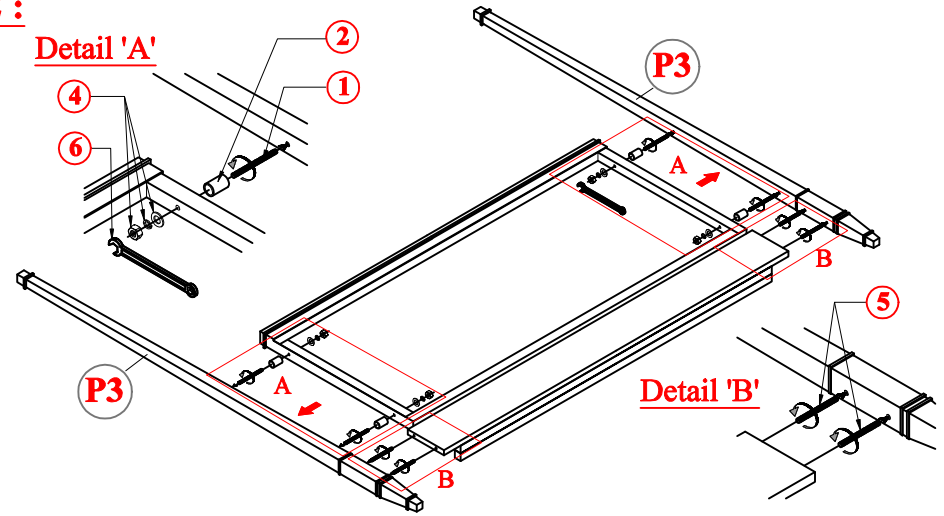


Assembly HeadBoard

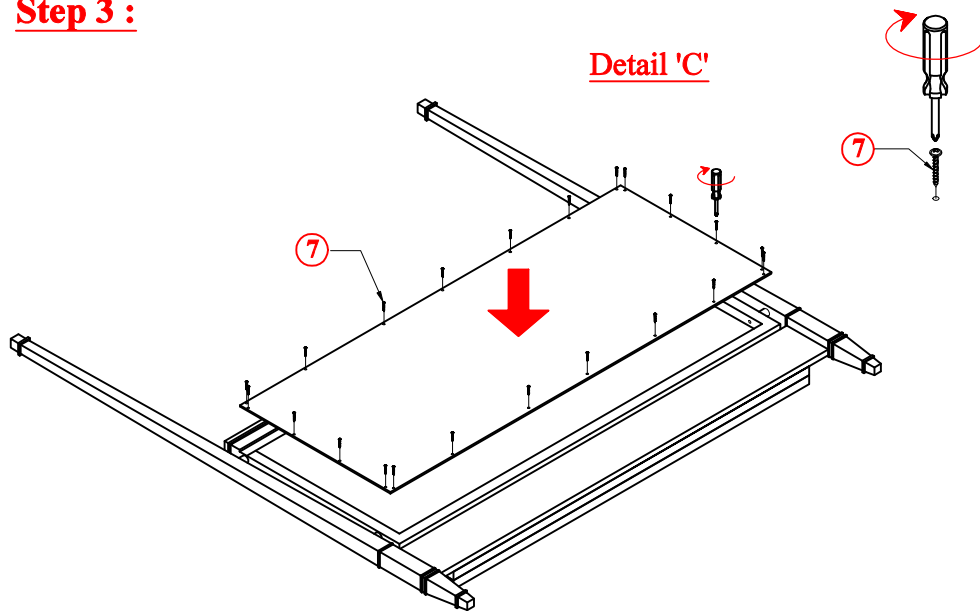
Step 1 :



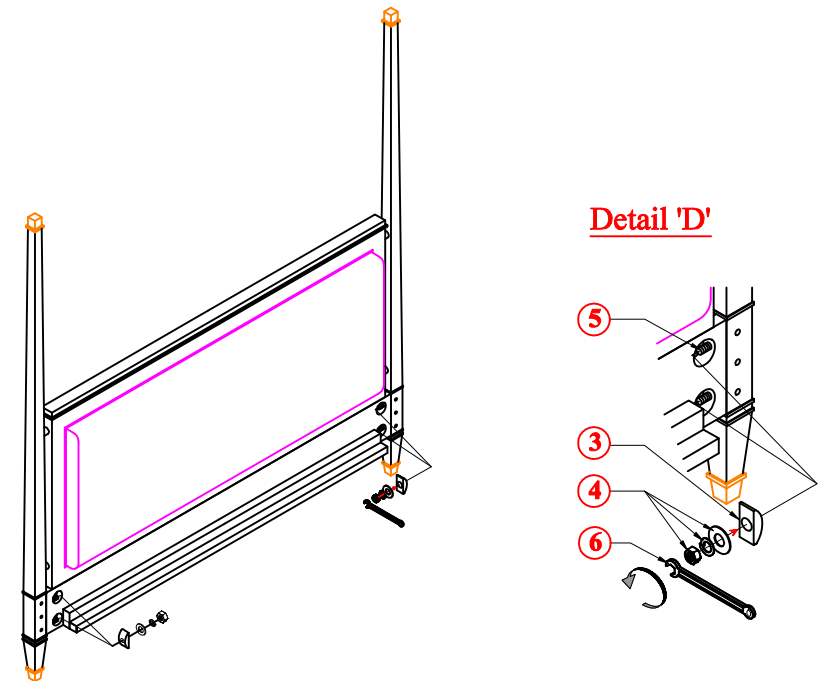
Step 2 :



Step 3 :

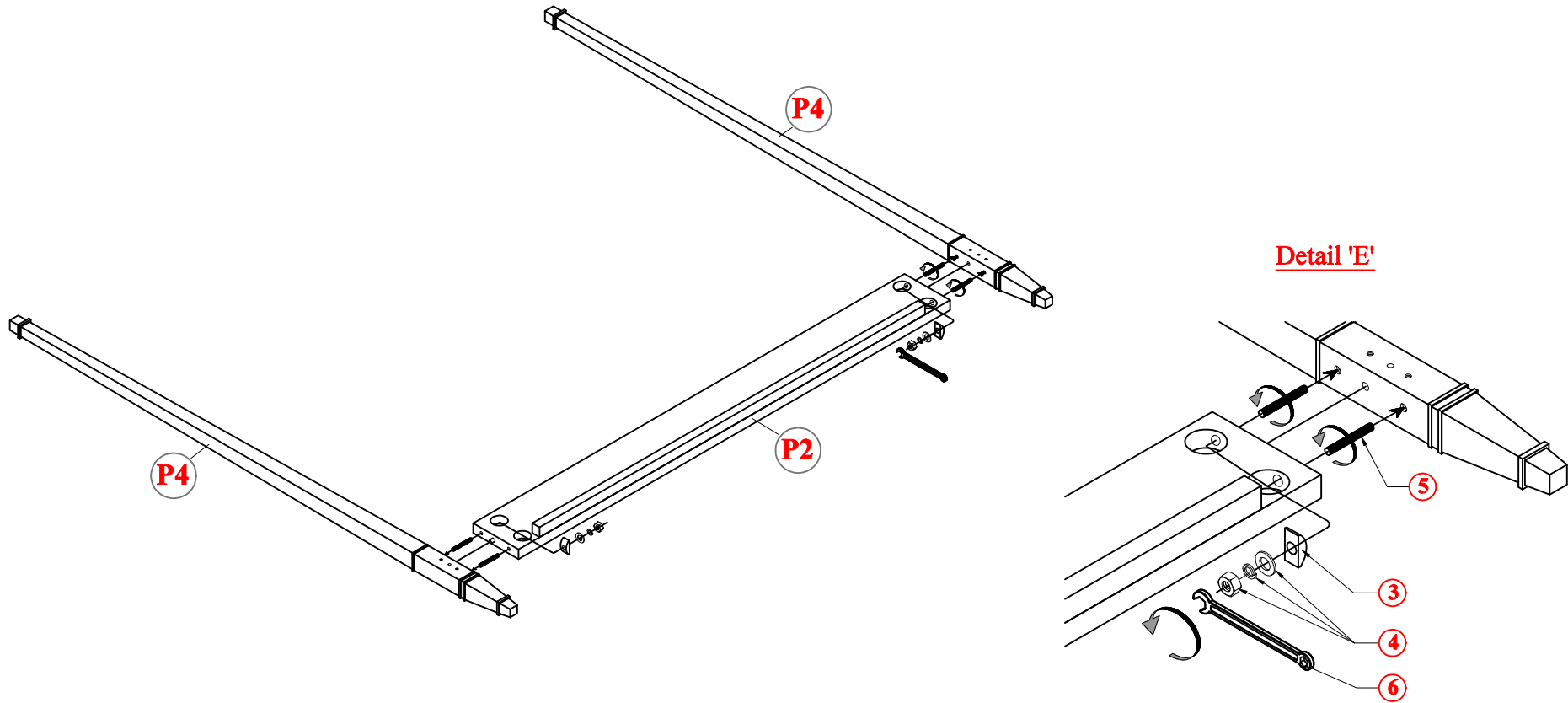


Step 4 :

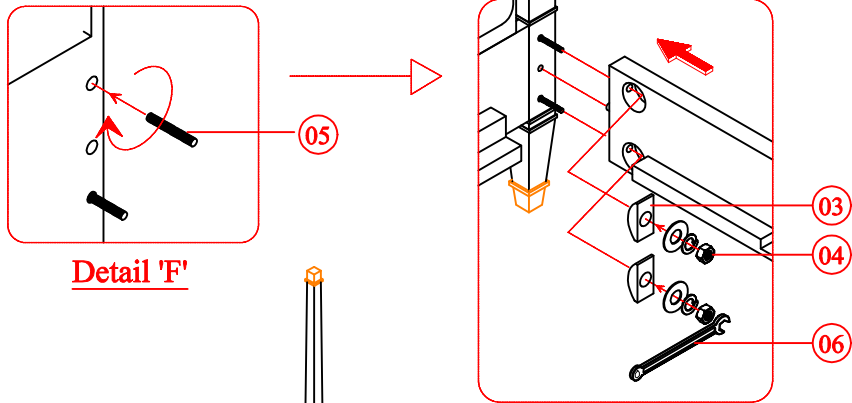


Assembly FootBoard

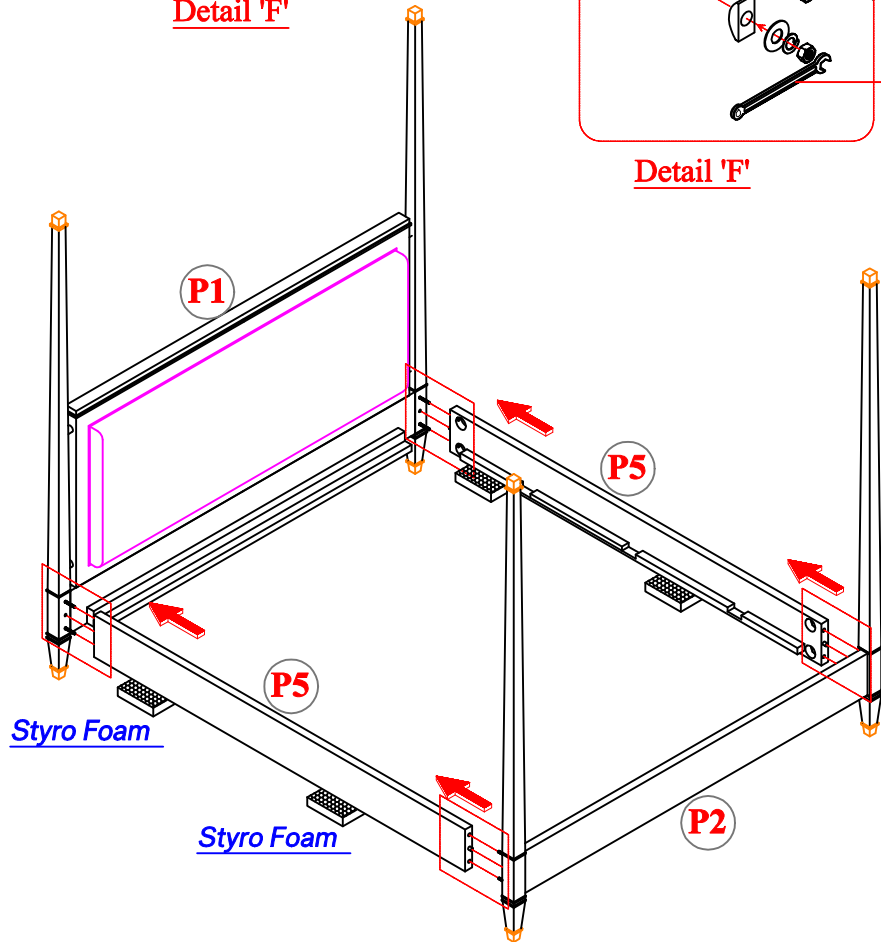
Step 5 :



Step 6 :

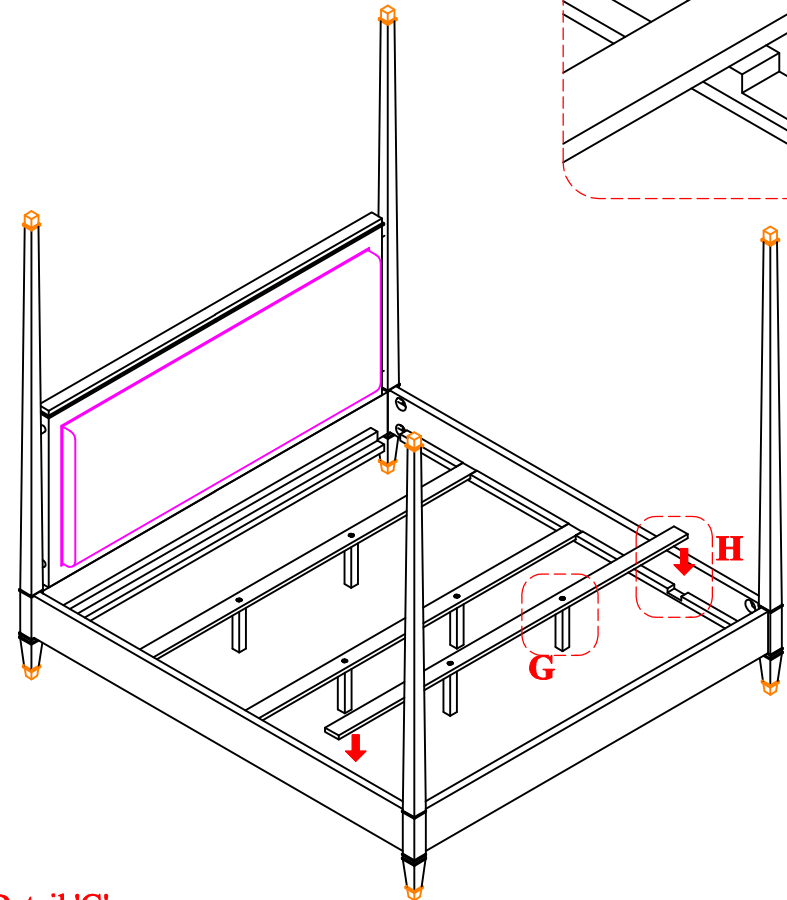
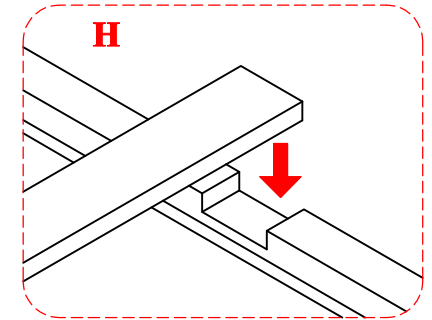


Detail 'F'



Step 7 :

Detail 'H'



Detail 'G'

