

ASSEMBLY INSTRUCTION

ASSEMBLY TIPS:

- 1.Remove hardware from box and sort by size.
- 2.Please check to see that all hardware and parts are present prior to start of assembly.
- 3.Please follow attached instructions in the same sequence as numbered to assure fast & easy assembly.

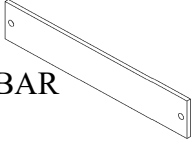
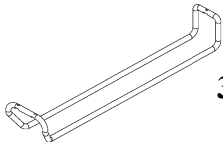
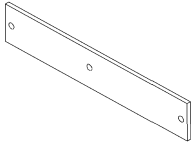


Warning!!

- 1.Don't attempt to repair or modify parts that are broken or defective.Please contact the store immediately.
- 2.This product is for home use only and not intended for commercial establishment.

PARTS IDENTIFICATION

A	TOP FRAME		1PC	H	FRONT FRAME		1PC
B	MIDDLE FRAME		1PC	I	TOP GLASS		1PC
C	BOTTOM FOOT BAR		1PC	J	SHELF GLASS		1PC
D	FOOT REST BAR		1PC	K	FRONT GLASS		1PC
E	LEFT CROSS BAR		1PC	L	SIDE ACRYLIC		2PCS
F	RIGHT CROSS BAR		1PC	M	BOTTOM LEG SUPPORT		4PCS
G	FOOT REST SIDE PLATE		2PCS	N	BOTTLE RACK		2PCS

O BOTTLE RACK BOTTOM BAR  2PCS	P GLASS HOLDER  3PCS
Q BOTTLE RACK TOP BAR  2PCS	

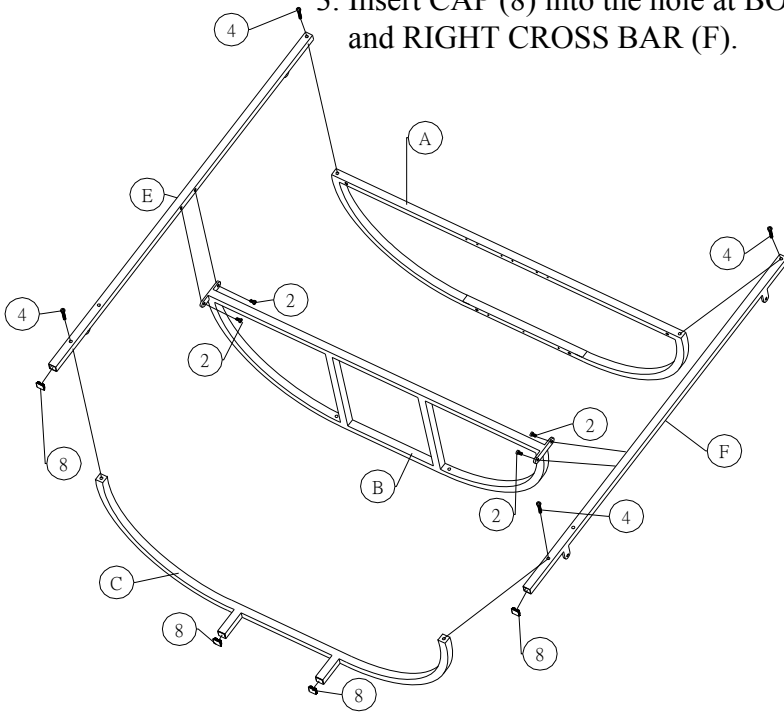
HARDWARE PACKAGE

Z	DESCRIPTION	FIGURE	Q'TY
1	BOLT		10PCS
2	SMALL ALLEN BOLT		14PCS
3	ALLEN BOLT		6PCS
4	MEDIUM ALLEN BOLT		10PCS
5	NUT		8PCS
6	FLOOR LEVELER		4PCS
7	ROUND CAP		4PCS
8	CAP		4PCS
9	SMALL WASHER		8PCS
10	ALLEN KEY		1PC
11	PLASTIC WASHER		2PCS
12	SUCTION CUP		4PCS
13	HEXAGONAL KEY		1PC
14	WASHER		2PCS
15	SMALL BOLT		19PCS
16	LARGE ALLEN BOLT		2PCS

STEP 1

STEP 1

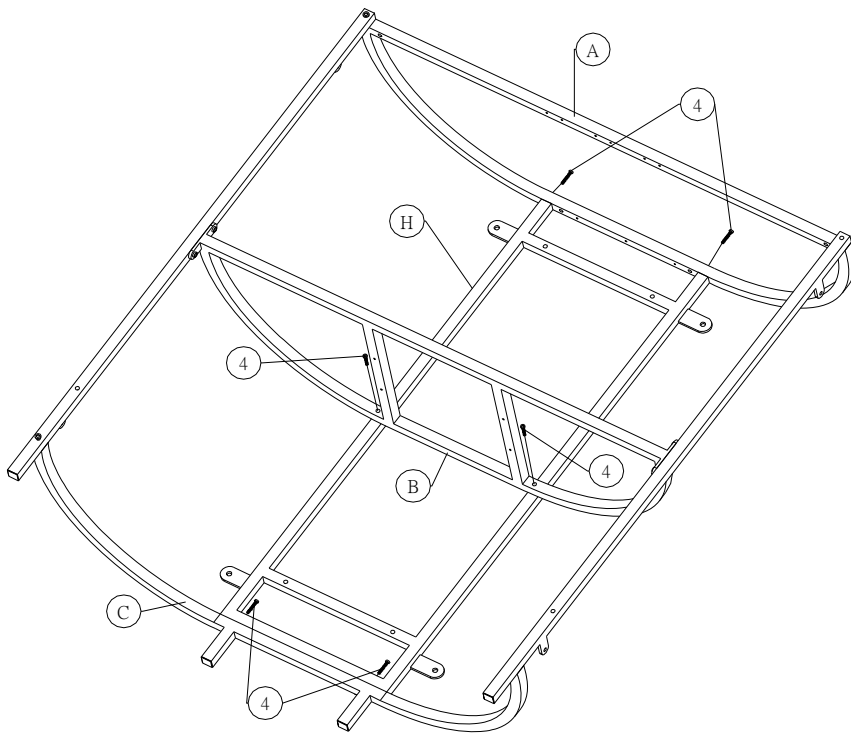
1. Attach TOP FRAME (A) and BOTTOM FOOT BAR (C) to LEFT CROSS BAR (E) and RIGHT CROSS BAR (F) by screwing MEDIUM ALLEN BOLT (4).
2. Attach MIDDLE FRAME (B) to LEFT CROSS BAR (E) and RIGHT CROSS BAR (F) by screwing SMALL ALLEN BOLT (2).
3. Insert CAP (8) into the hole at BOTTOM FOOT BAR (C) and LEFT CROSS BAR (E) and RIGHT CROSS BAR (F).



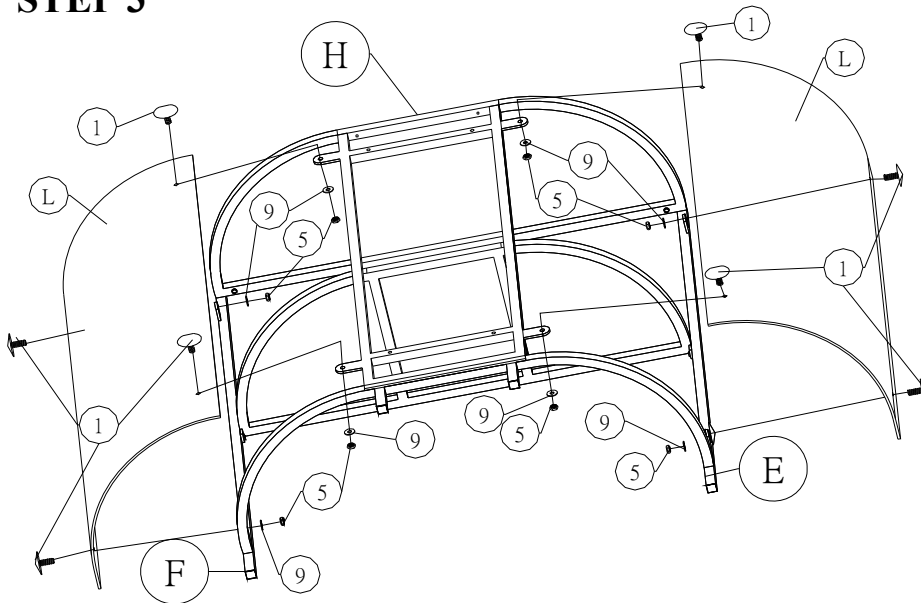
STEP 2

STEP 2

1. Attach FRONT FRAME (H) to TOP FRAME (A) and MIDDLE FRAME (B) and BOTTOM FOOT BAR (C) by screwing MEDIUM ALLEN BOLT (4).



STEP 3



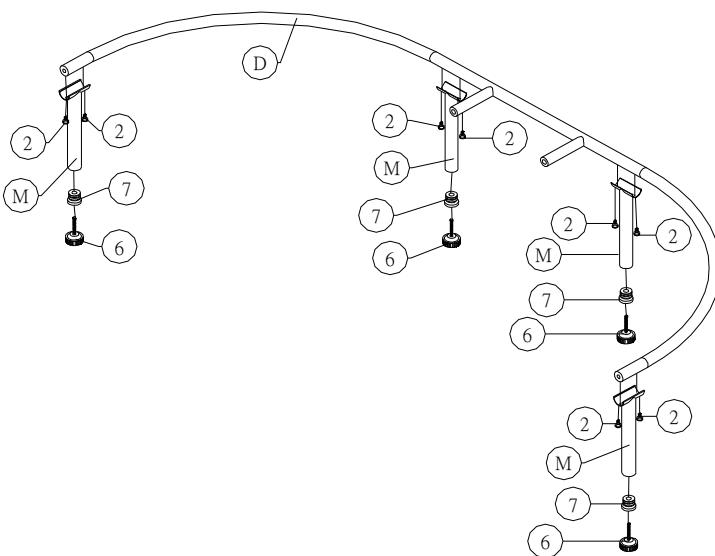
STEP 3

1. Attach SIDE ACRYLIC (L) to FRONT FRAME (H) and LEFT CROSS BAR (E) by screwing BOLT (1) and NUT (5) and SMALL WASHER (9).
2. Attach SIDE ACRYLIC (L) to FRONT FRAME (H) and RIGHT CROSS BAR (F) by screwing BOLT (1) and NUT (5) and SMALL WASHER (9).

STEP 4

STEP 4

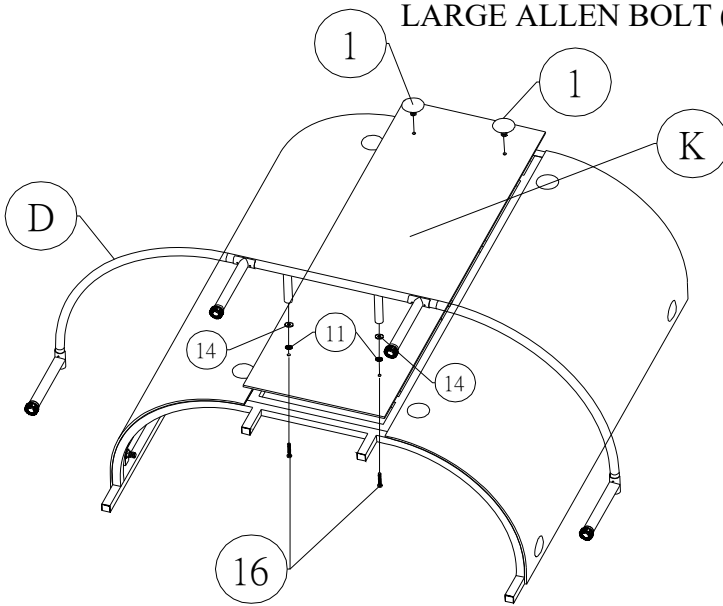
1. Insert ROUND CAP (7) into BOTTOM LEG SUPPORT (M), then screw on FLOOR LEVELER (6).
2. Attach BOTTOM LEG SUPPORT (M) to FRONT FOOT REST BAR (D) by screwing SMALL ALLEN BOLT (2).



STEP 5

STEP 5

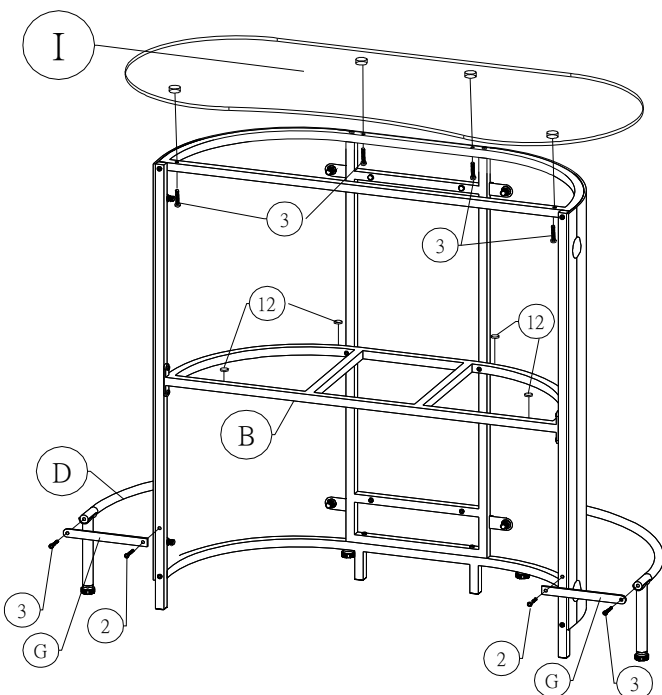
1. Attach FRONT GLASS (K) to FOOT REST BAR (D) and FRONT FRAME (H) by screwing BOLT (1) and LARGE ALLEN BOLT (16) and PLASTIC WASHER (11) and WASHER (14).



STEP 6

STEP 6

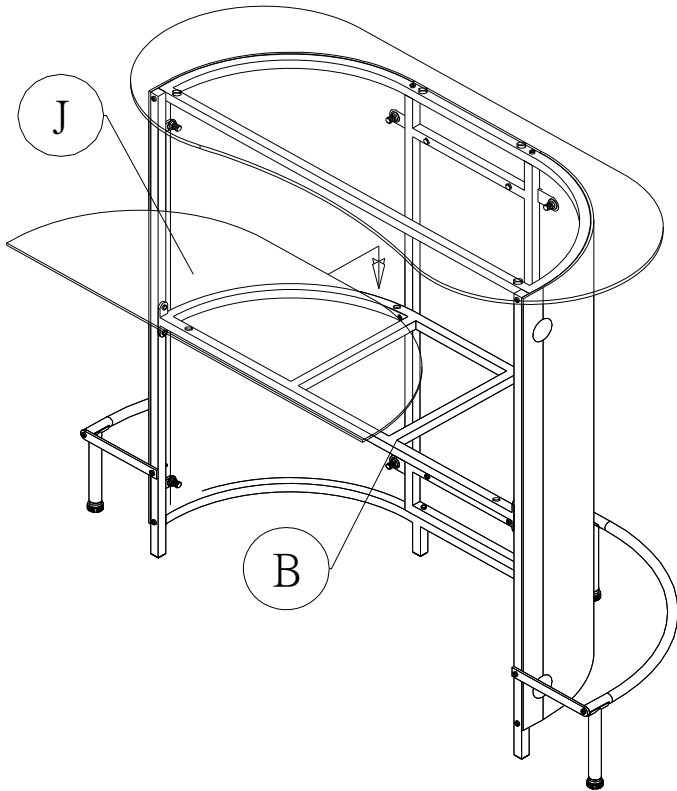
1. Attach TOP GLASS (I) to TOP FRAME (A) by screwing ALLEN BOLT (3).
2. Place SUCTION CUP (12) on the MIDDLE FRAME (B).
3. Attach FOOT REST SIDE PLATE (G) to FOOT REST BAR (D) LEFT CROSS BAR (E) and RIGHT CROSS BAR (F) by using SMALL ALLEN BOLT (2) and ALLEN BOLT (3).



STEP 7

STEP 7

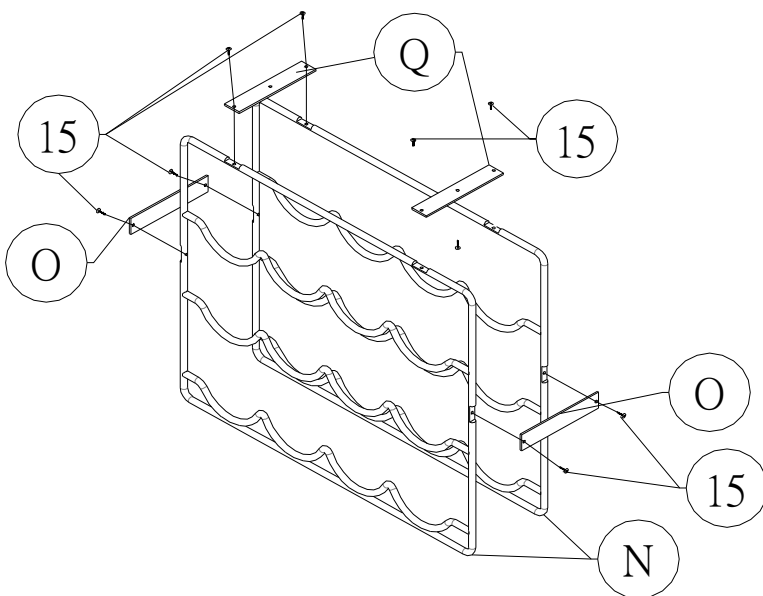
1. Place SHELF GLASS (J) on the MIDDLE FRAME (B).



STEP 8

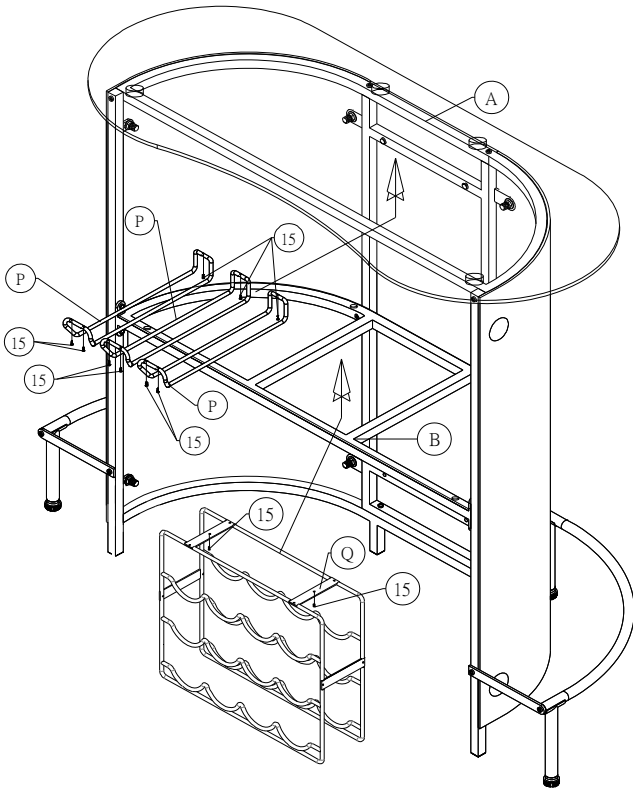
STEP 8

1. Attach BOTTLE RACK BOTTOM BAR (O) to BOTTLE RACK (N) by screwing SMALL BOLT (15).
2. Attach BOTTLE RACK TOP BAR (Q) to BOTTLE RACK (N) by screwing SMALL BOLT (15).



STEP 9 STEP 9

1. Attach GLASS HOLDER (P) to TOP FRAME (A) by using SMALL BOLT (15).
2. Attach BOTTLE RACK TOP BAR (Q) to MIDDLE FRAME (B) by using SMALL BOLT (15).



FINISH

