

General Purpose Cover

Instructions & Care

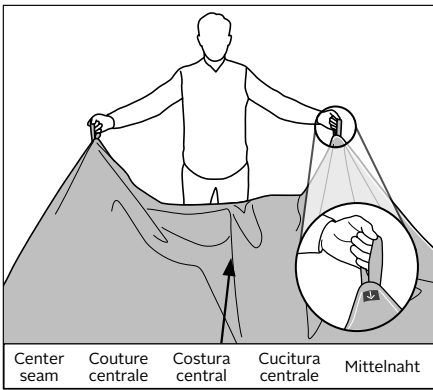


WARNING

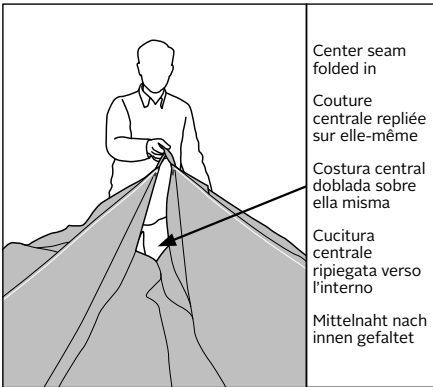
Fabric is NOT fire resistant. Keep away from open flames or burning logs.

CAUTION

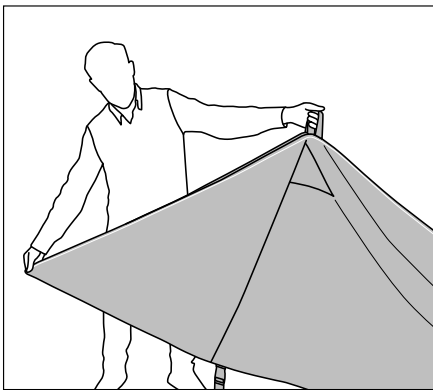
- Follow your owner's guide for storing and covering your equipment/appliance.
- When covering an outdoor appliance, let it cool before you put the cover on it.
- Do not expose the cover to petroleum based cleaning products, they can damage the PVC backing.
- Remove all cushions to avoid possible mildew before covering your furniture.
- This product is not intended for use on furniture made of concrete.



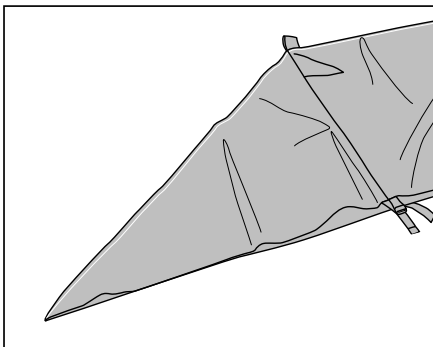
1 Locate the two handles at end of your cover near the orange guide arrow labels and grasp one handle in each hand.



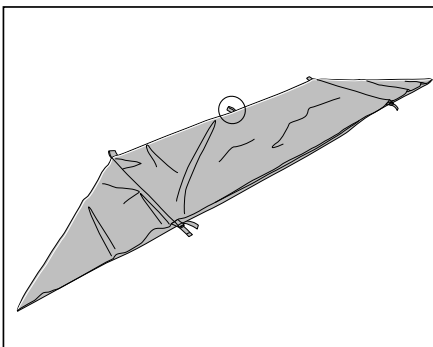
2 While lifting, bring the handles with the orange guide arrow labels together towards the center ensuring the center seam folds down and in. (See image for center seam location).



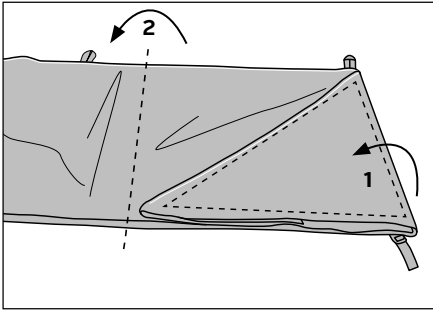
3 Straighten the center fold by lifting and pulling the fabric straight and aligning the corners.



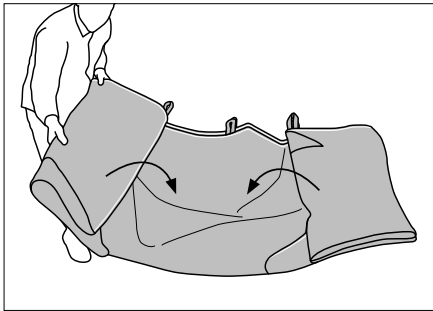
4 Lay the cover flat on your furniture, or on other flat surface so that the corners and edges stay aligned. Repeat steps 1-4 on the opposite side of the cover.



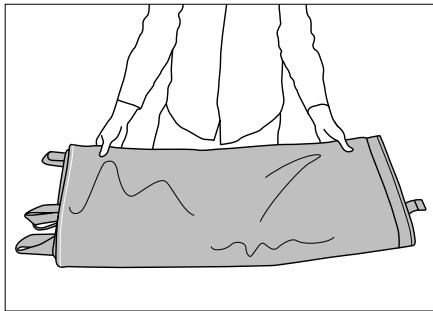
5 Locate the handles at the center of the cover. Bring the handles together. Ensure the cover is flat and the panels fold together at the center hem.



6 Fold each end in toward the center at the seam. The first completed fold will look like a triangle. (1). The second fold will look like a rectangle (2).



7 Continue to fold both ends toward the center until you have reached desired size.



8 The dimensions of the completed folded cover may vary depending on your fold widths. (The above image shows a cover folded four times toward the center on

CLEANING AND CARE: Hand wash with lukewarm water. **DO NOT USE SOAP, DETERGENT OR BLEACH** as it may remove the protective coatings added by the factory. Do not pack wet. Air dry.

Never store a wet cover in a confined area as the cover can be damaged by mildew.

