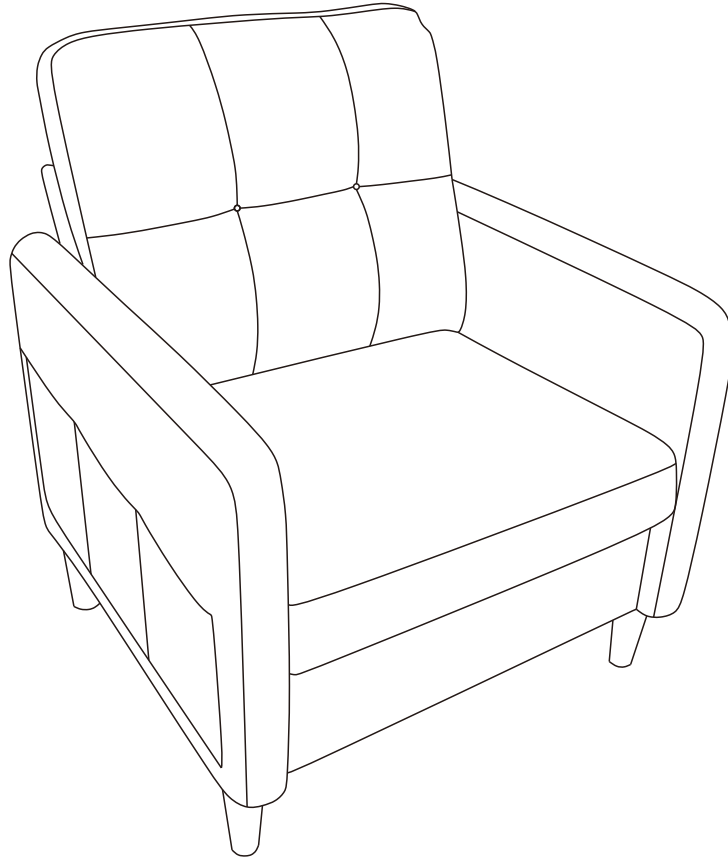


# single sofa

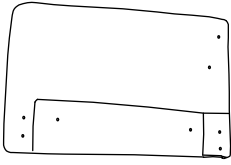
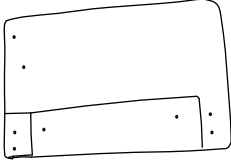
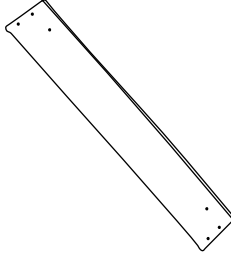
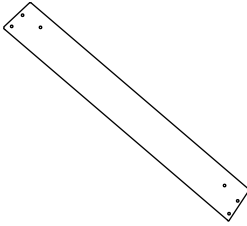








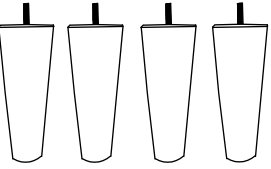
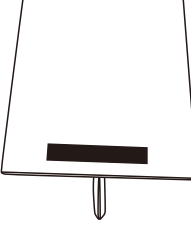
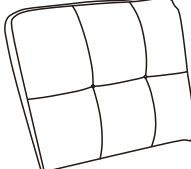
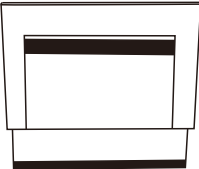
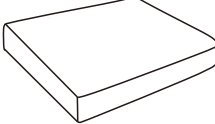
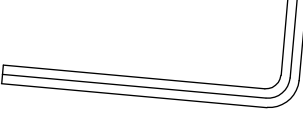
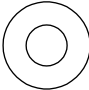
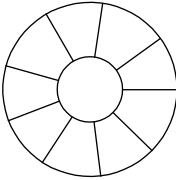
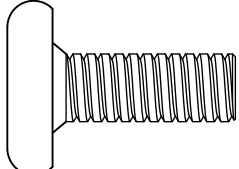
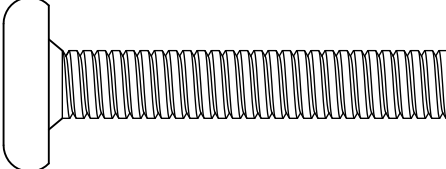
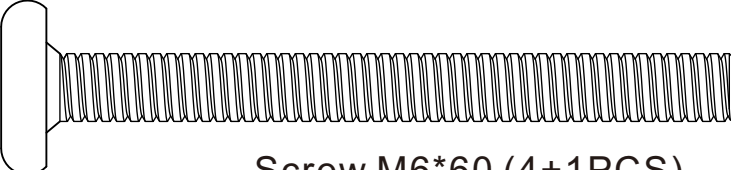
## Assembly Instructions



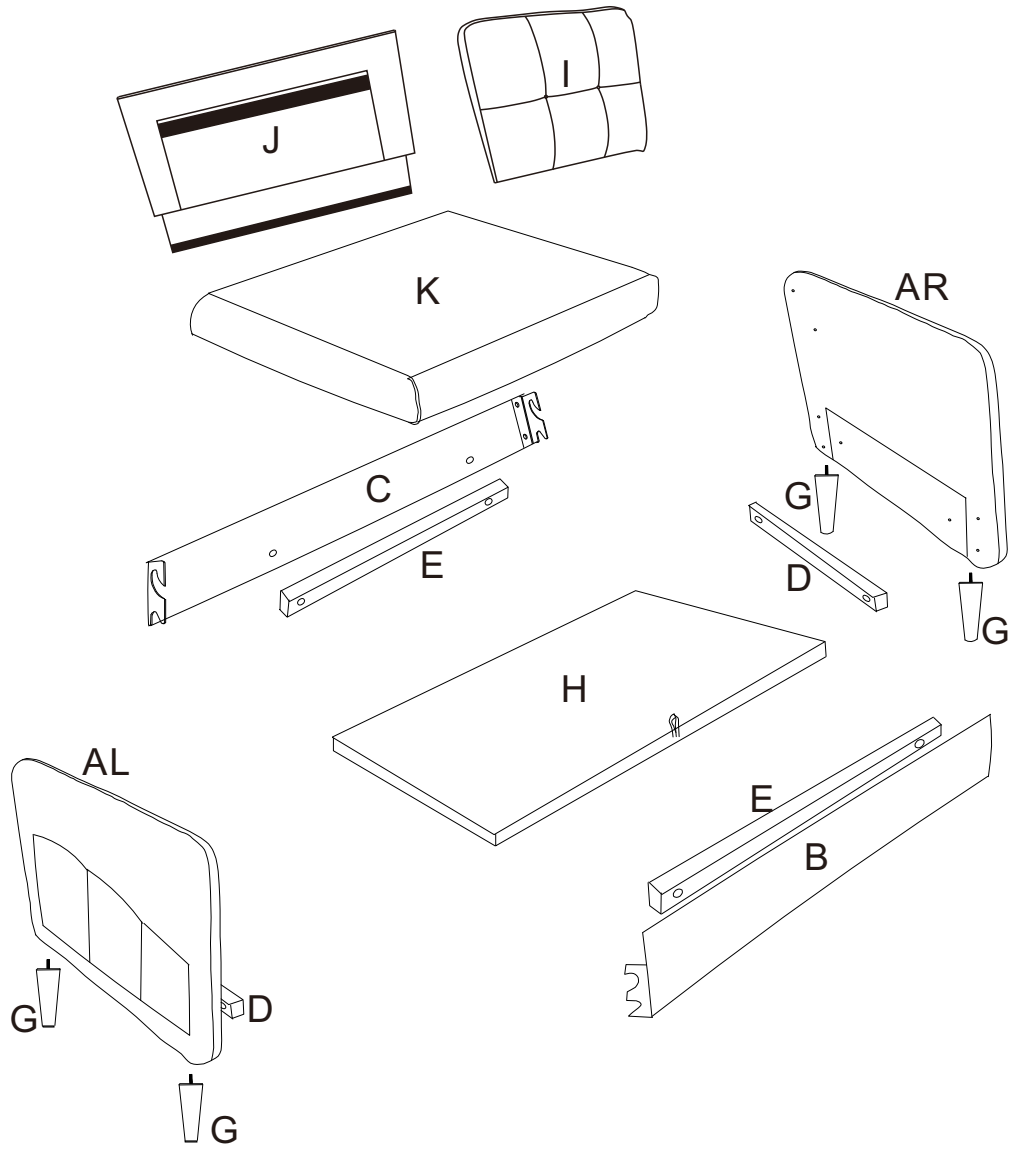
Note:

**Please confirm all parts correct before assemble**

# PART LIST

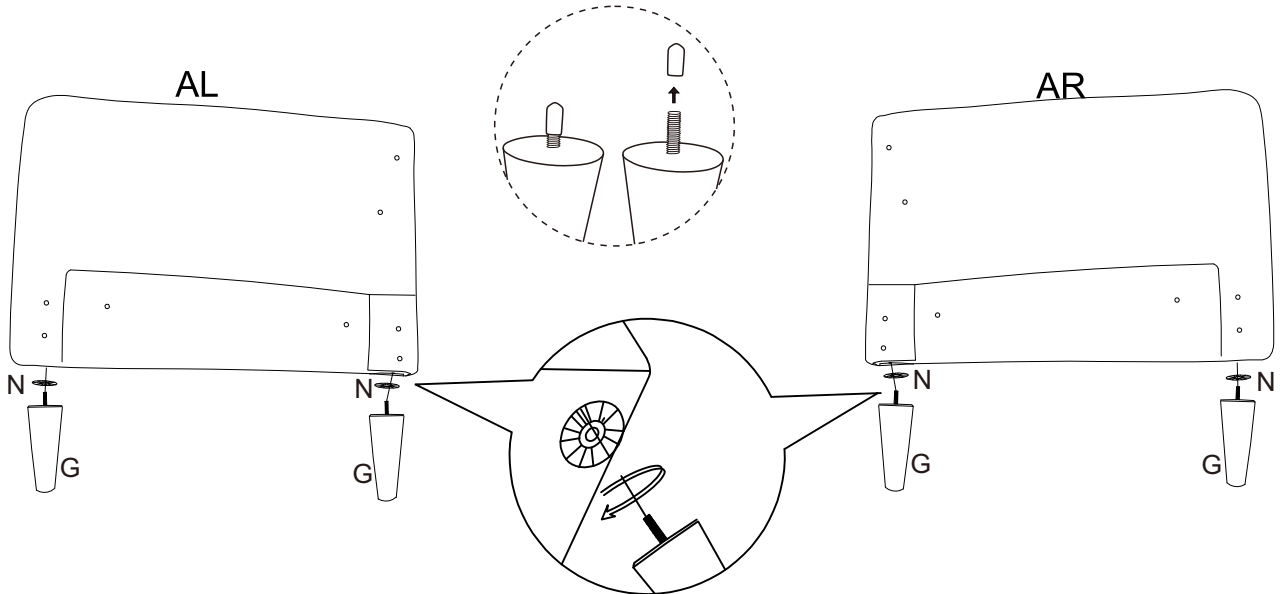
<b>AL</b> 	<b>AR</b> 	<b>B</b> 	<b>C</b> 
Left armrest(1PC)	Right armrest(1PC)	Front plate(1PC)	Backplate(1PC)
<b>D</b>   part D is inside part J	<b>E</b>   part E is inside part J	<b>F1</b>  	<b>F2</b>  
Rod(2PCS)	Rod(2PCS)	Accessories(2PCS)	Accessories(2PCS)
<b>G</b> 	<b>H</b> 	<b>I</b> 	<b>J</b> 
Foot (4PCS)	Frame (1PC)	Back cushion(1PC)	Backrest(1PC)
<b>K</b> 	<b>L</b> 	<b>M</b> 	<b>N</b> 
Seat Cushion(1PC)	Allen Key M6(1PC)	Gasket (28+1PCS)	Plastic Gaskets(4PCS)
<b>O</b> 	<b>P</b> 		
Screw M6*16 (8+1PCS)	Screw M6*35 (16+1PCS)		
<b>Q</b> Note: The screws are in 1:1 ratio and can be placed here for comparison.		 Screw M6*60 (4+1PCS)	

# DISASSEMBLY DIAGRAM



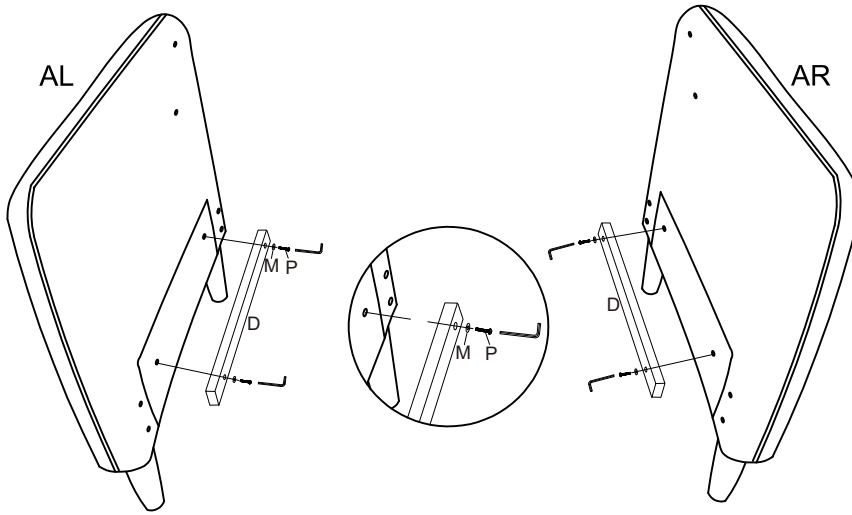
**STEP1** Screw the sofa feet G with plastic spacers O into the sofa arms (AL/AR).

AL		1
AR		1
G		4
N		4



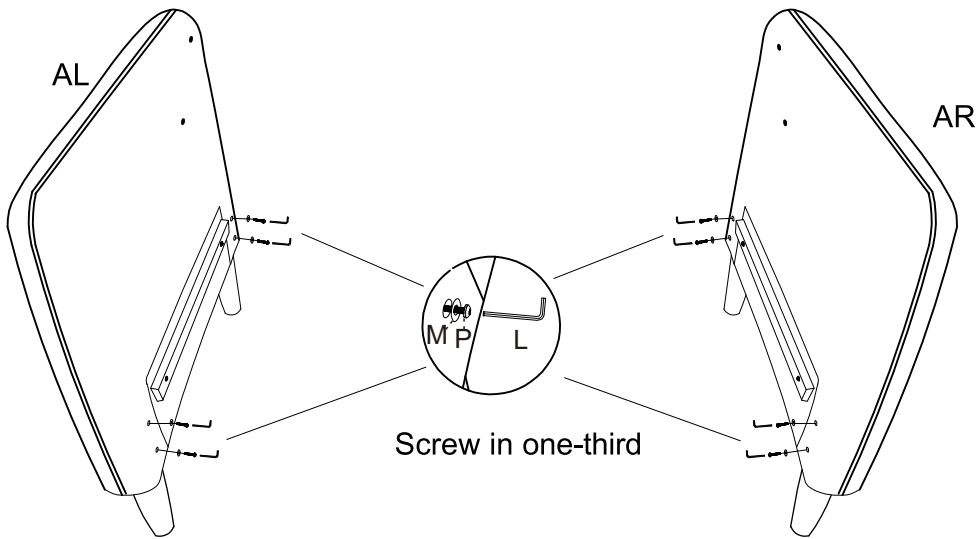
**STEP2** First align the rod (D) with the holes in the armrests then screw the screws (P) and spacers (M) into the armrests of the sofa using a Allen Key.

AL		1
AR		1
D		2
P		4
M		4
L		1



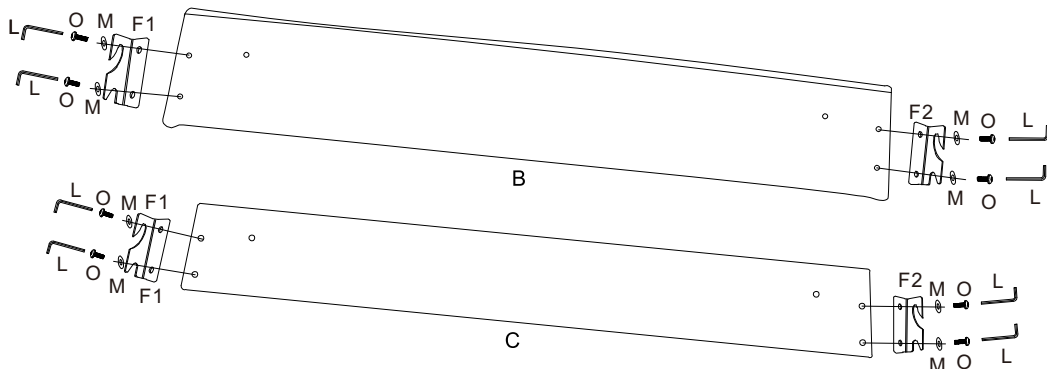
**STEP3** Screw the screws (P) and spacers (M) into the armrests of the sofa with a Allen Key one third of the way in.

AL		1
AR		1
P		8
M		8
L		1







**STEP4** As shown in the figure, first align the connecting iron piece F1/F2 with the holesplate B/plate C. Tighten the spacer and screw (O) with a Allen Key.

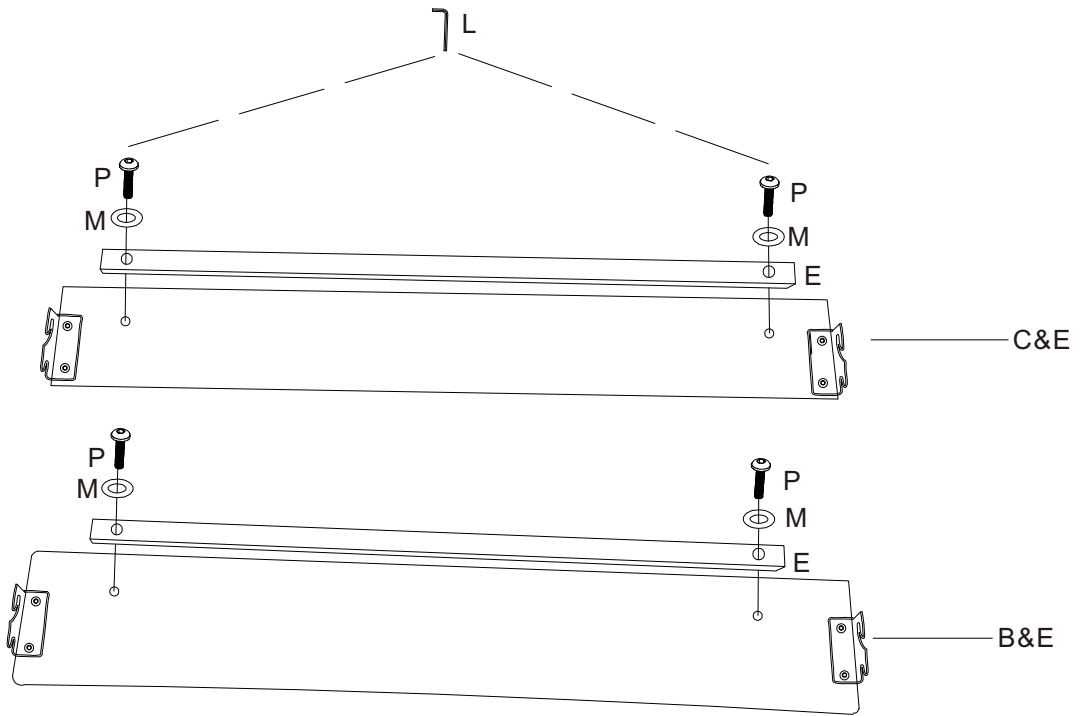
F1		2
F2		2
B		1
C		1
O		8
M		8
L		1



# STEP5

First align the rod (E) with the holes in the front plate B/rear plate C, then tighten the screws (P) and spacers (M) with a Allen Key.

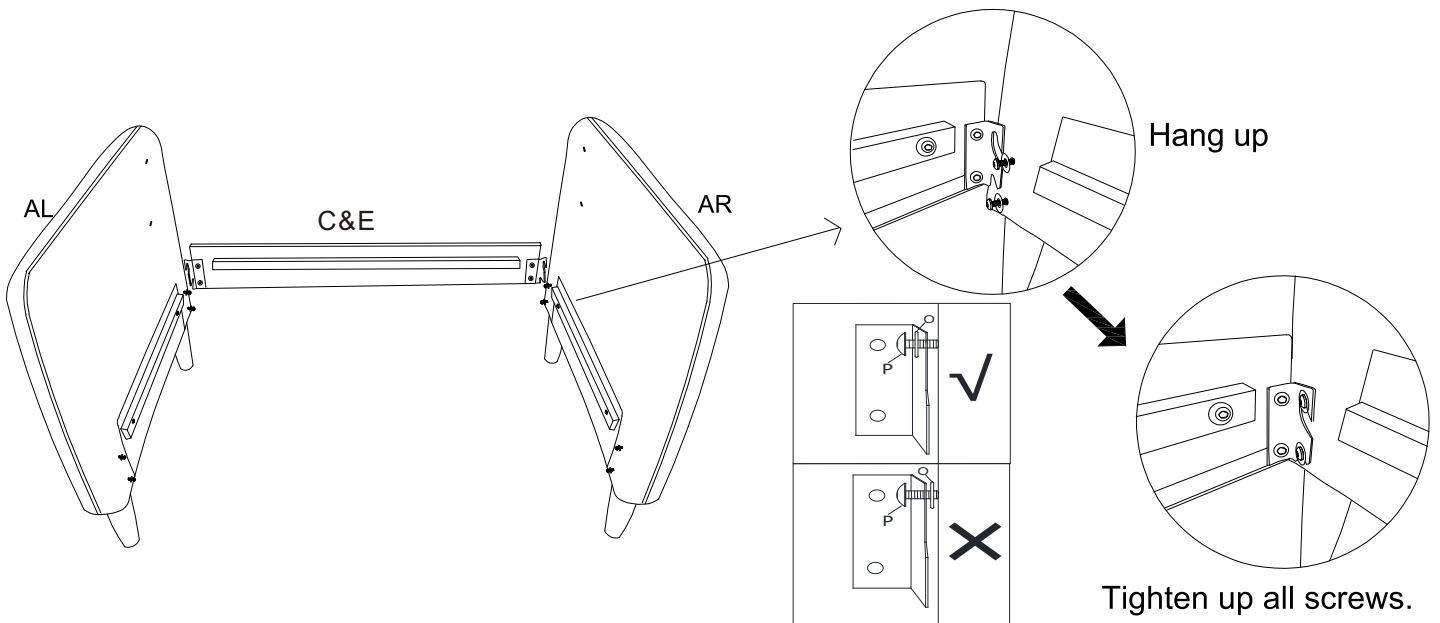
E		2
M		4
P		4
L		1



# STEP6

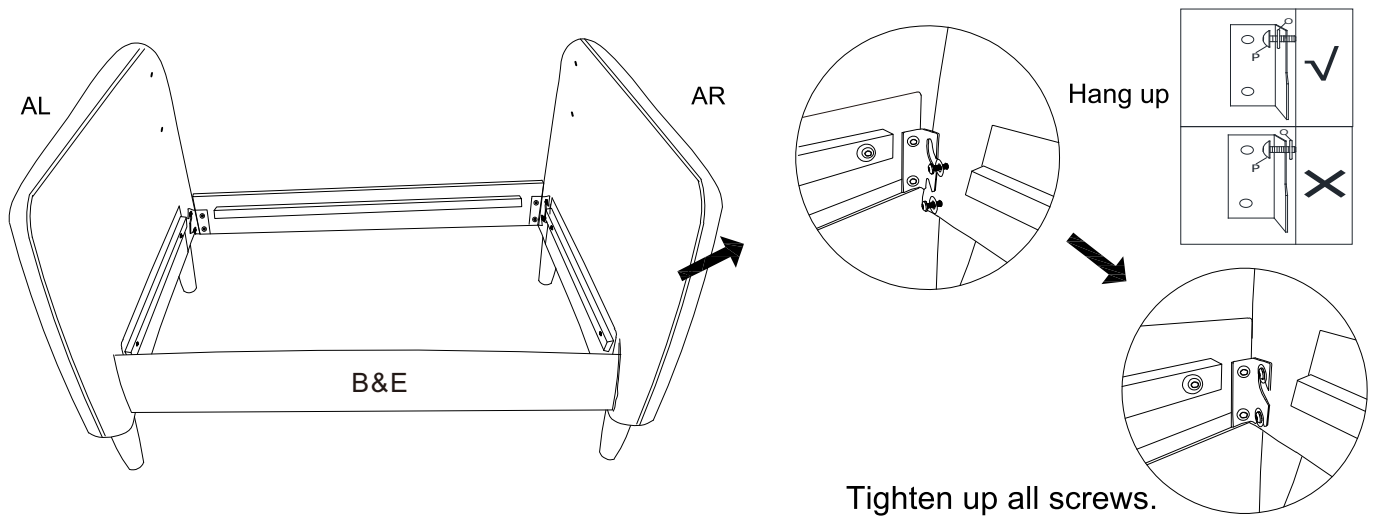
Snap the completed assembled C&E from step 5 onto the handrail locking into onethird of the screws as shown, and lock it in place.

C&E		1
-----	--	---


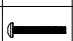

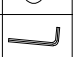


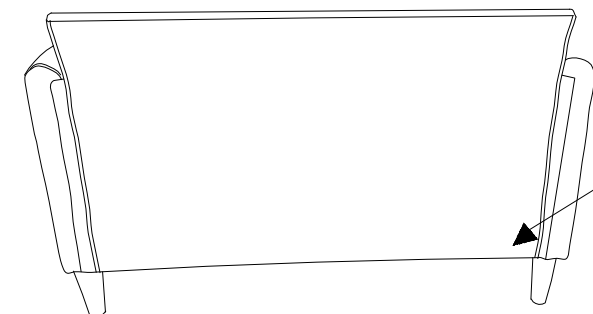
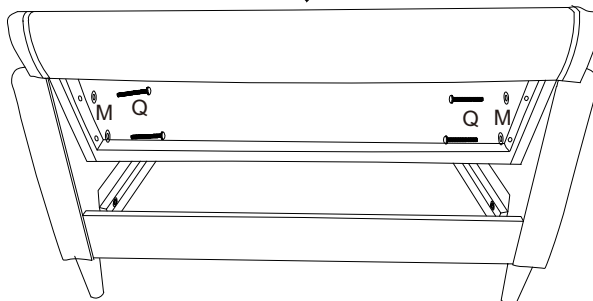
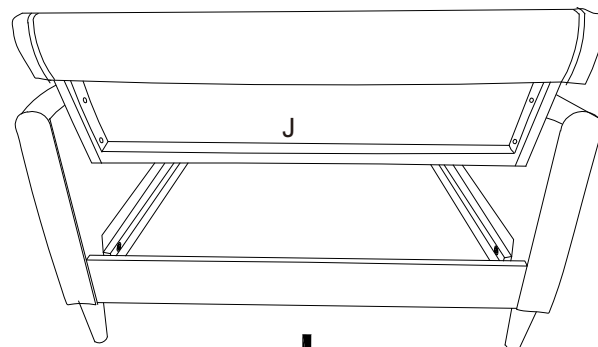
**STEP7** Snap the completed assembled B&E from step 5 onto the handrail locking into onethird of the screws as shown, and lock it in place.

B&E		1
-----	--	---

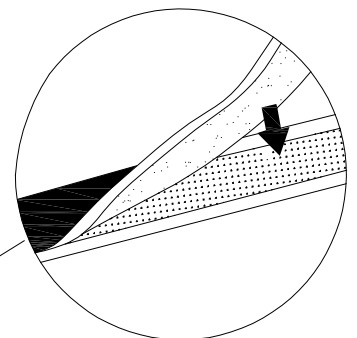


**STEP8** First, weave the backrest fabric forward, align the backrest with the armrest holes, lock it with screws (Q), and then pull down the fabric to attach the felt

J		1
Q		4
M		4
L		1

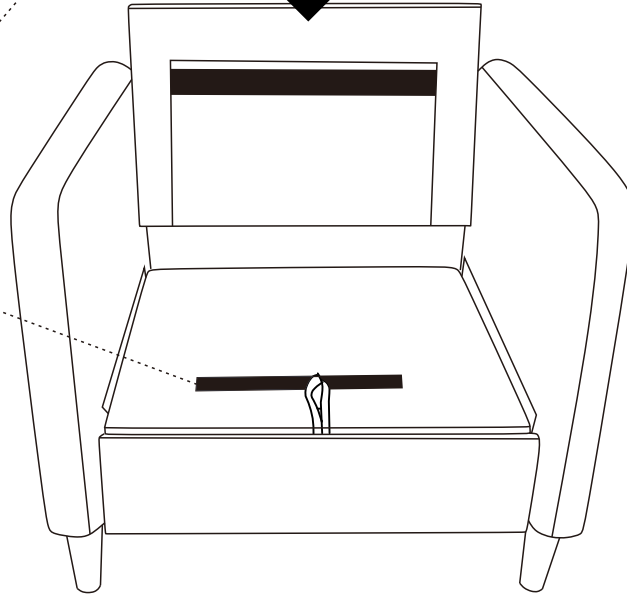
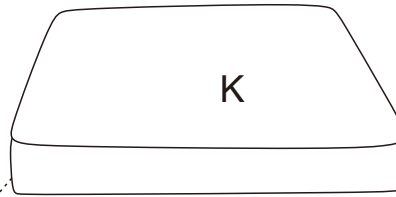
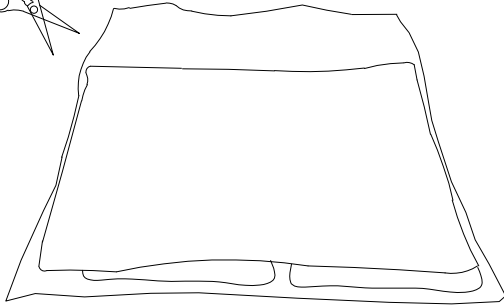


Please remove the cover strip on Velcro before stick it

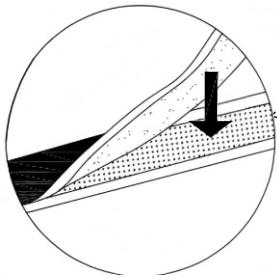


## STEP 9 Place the seat cushion K onto the frame

K  1



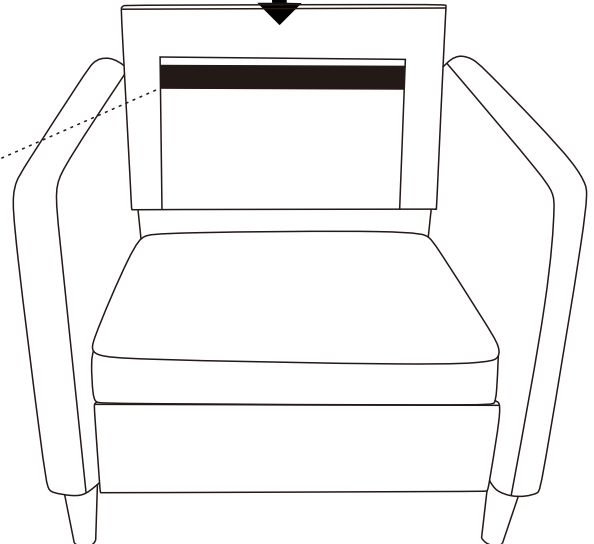
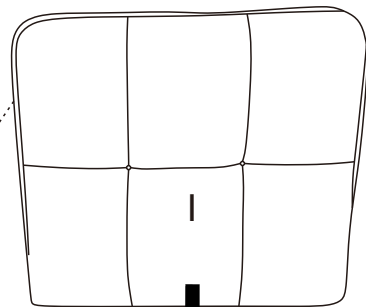
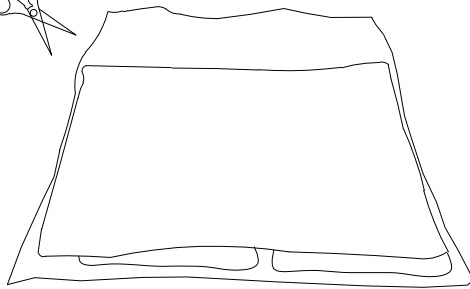
After unpacking, place it in adry and well-ventilated area. It will restore to its optimaluse condition after appo ximately72 hours



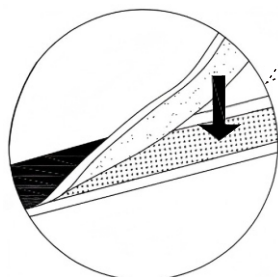
Please remove thecover strip on Velcrobefore stick it

## STEP 10 Place the back cushion I onto the back frame

I  1

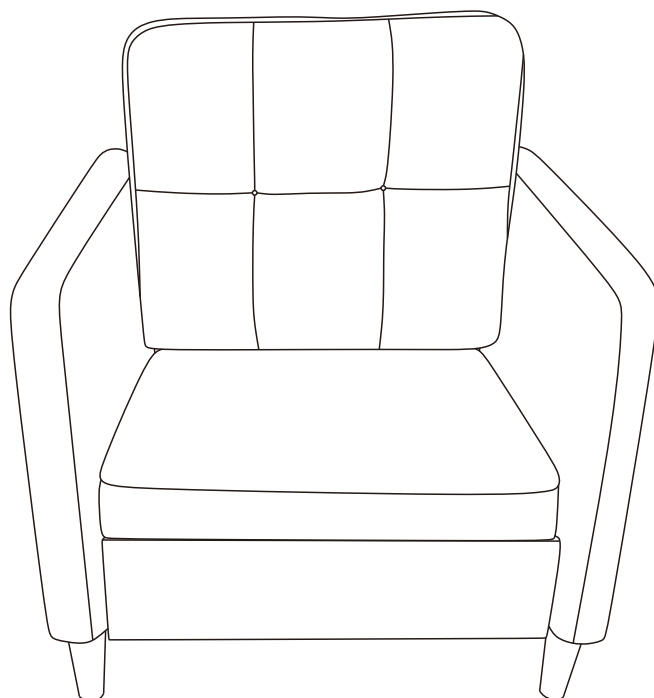


After unpacking, place it in adry and well-ventilated area. It will restore to its optimaluse condition after appo ximately72 hours



Please remove thecover strip on Velcrobefore stick it

All completed



---

## FAQ

Q1:Missing parts or some parts damaged when received.

A1:f you find some parts are missing or damaged from the box,please kindly send us messages to let us know the name of missing part regarding of the parts list of the instruction,we will send you the replacement and offer you the best solution asap.

Q2: Assemble Difficultly.

A2:If there are any problems during the installation process, you can take photos and send them to us, and we will reply promptly. There are also installation videos on our Amazon page that you can view online.

Q3:Return Policy.

A3:Before returning the item, please contact us about return issue,please make sure that the box packaging is complete,the product is not damaged, stained and not affecting secondary sales.Return product that do not use the original packaging may be rejected, and the pictures may be requested to offer.