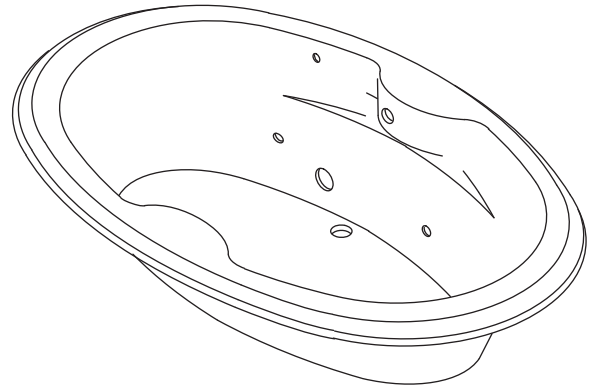


CUSTOM WHIRLPOOL BATH K-1148-CD ALSO K-1148-CH

Features

- ExoCrylic™
- Oval shape
- Drop-in installation
- Six individually adjustable ProFlex® hydro-massage jets
- Pump with air switch and grounding-type plug-in cord
- Molded lumbar support and armrests for comfort
- UL listed
- Optional K-9696 whirlpool trim kit in additional finishes
- 72" (1829 mm) x 42-1/8" (1070 mm) x 19-3/4" (502 mm)



Codes/Standards Applicable

Specified model meets or exceeds the following:

- ASME A112.19.7/CSA B45.10
- CSA B45.5/IAPMO Z124
- UL 1795

Colors/Finishes

- 0: White
- Other: Refer to Price Book for additional colors/finishes

Accessories

- CP: Polished Chrome
- PB: Vibrant® Polished Brass
- Other: Refer to Price Book for additional colors/finishes

Specified Model

Model	Description	Colors/Finishes	
K-1148-CD	Custom whirlpool bath (shown)	<input type="checkbox"/> 0	<input type="checkbox"/> Other_____
K-1148-CH	Custom whirlpool bath (top view shown)	<input type="checkbox"/> 0	<input type="checkbox"/> Other_____

Recommended Accessories

K-7213	Cable drain with PVC tubing	<input type="checkbox"/> CP		<input type="checkbox"/> Other_____
K-7214	Cable drain without PVC tubing	<input type="checkbox"/> CP		<input type="checkbox"/> Other_____
K-11677	Adjustable trip lever bath drain	<input type="checkbox"/> CP	<input type="checkbox"/> PB	

Optional Accessories

K-9696	Jet trim kit (metal finishes)	<input type="checkbox"/> CP	<input type="checkbox"/> PB	<input type="checkbox"/> Other_____
--------	-------------------------------	-----------------------------	-----------------------------	-------------------------------------

Product Specification

The ExoCrylic whirlpool bath shall be 72" (1829 mm) in length, 42-1/8" (1070 mm) in width, and 19-3/4" (502 mm) in height. Whirlpool shall be oval shaped and for drop-in installation. Whirlpool shall have six individually adjustable ProFlex hydro-massage jets, and pump with air switch and grounding-type plug-in cord. Whirlpool shall have molded lumbar support and armrests for comfort. Whirlpool shall be UL listed. Whirlpool shall feature optional K-9696 whirlpool trim kit in additional finishes. Whirlpool bath shall be Kohler Model K-1148-_____-_____.

PROFLEX® 7242

Technical Information

Fixture*:	
Bathing well:	
Basin area, bottom	53" (1346 mm) x 26" (660 mm)
Basin area, top	65" (1651 mm) x 34" (864 mm)
Weight	74-1/4 lbs (33.7 kg)
To overflow:	
Water depth	15" (381 mm)
Capacity	78 gal (295.3 L)
* Approximate measurements for comparison only.	

Pump:	V	Hz	A
1-speed	120	60	7.5

Included components:	
Cutout template	114861-7

Required Electrical Service

Dedicated circuit required, protected with Class A Ground-Fault Circuit-Interrupter (GFCI):	
Pump/control	120 V, 15 A, 60 Hz
Locate the outlet behind the whirlpool and within 24" (610 mm) of the pump.	

Installation Notes

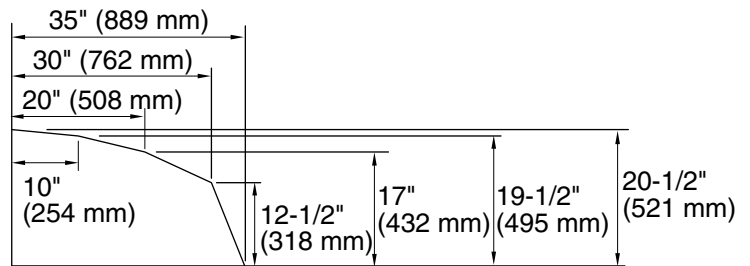
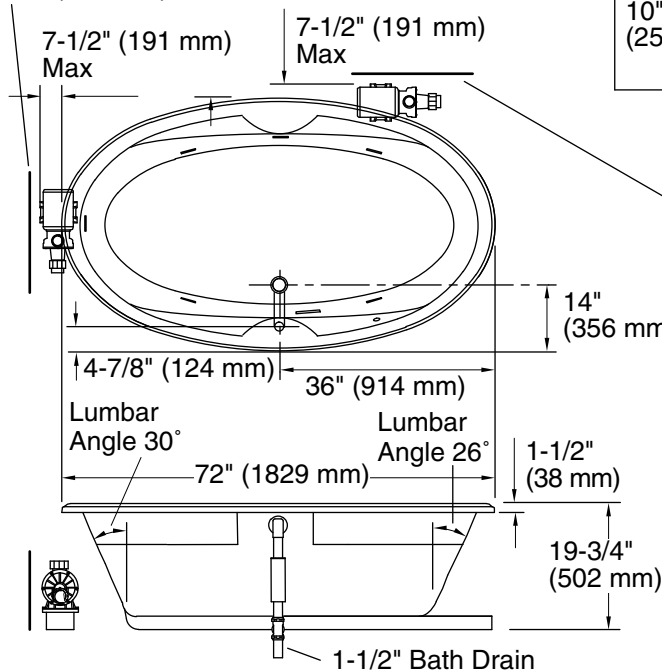
Install this product according to the installation guide.

Floor support under whirlpool must provide for a minimum of 36 lbs/square foot (174 kg/square meter) loading.

Pump must be relocated to custom position at the time of the installation. Provide adequate clearance.

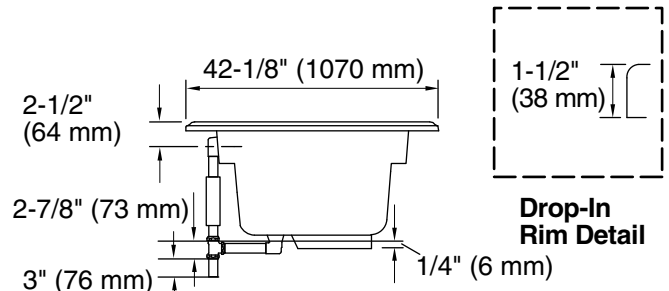
No change in measurements with drain shown. (K-11677)

K-1148-CD Pump/Control Access
20" (508 mm) W x
15" (381 mm) H Min



Symmetrical About \varnothing
Cut-Out Detail

K-1148-CH Pump/Control Access
20" (508 mm) W x
15" (381 mm) H Min



Drop-In
Rim Detail

Product Diagram