

# CLOTHES CABINET

User Manual

CATALOG:

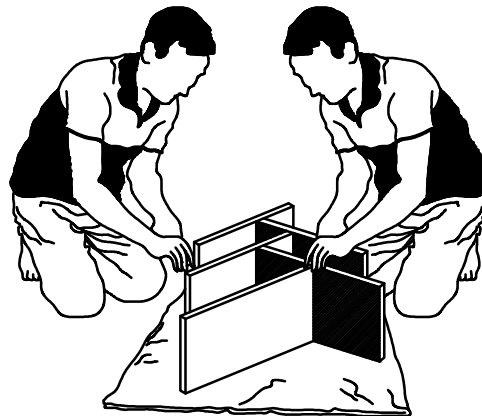
Part List.....4-5.

Accessories List.....6.

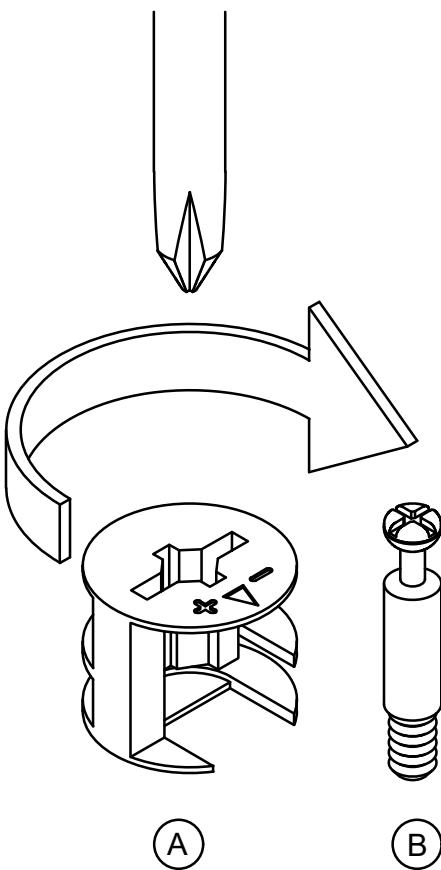
Assemble.....7-28.

**Foreword:**

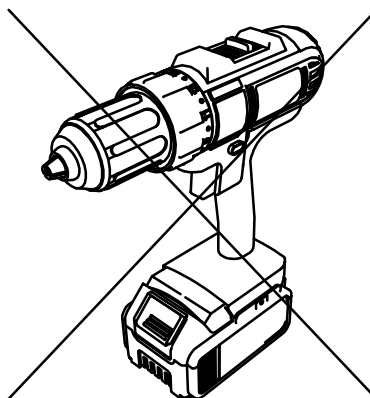
Thank you for choosing our product! We hope you have a good shopping experience!  
We aim to provide a 100% satisfaction product and customer service.



Requires 2 people to assemble  
the product more easily



Only slight turn of cams  
required.  
Do **NOT** overturn.

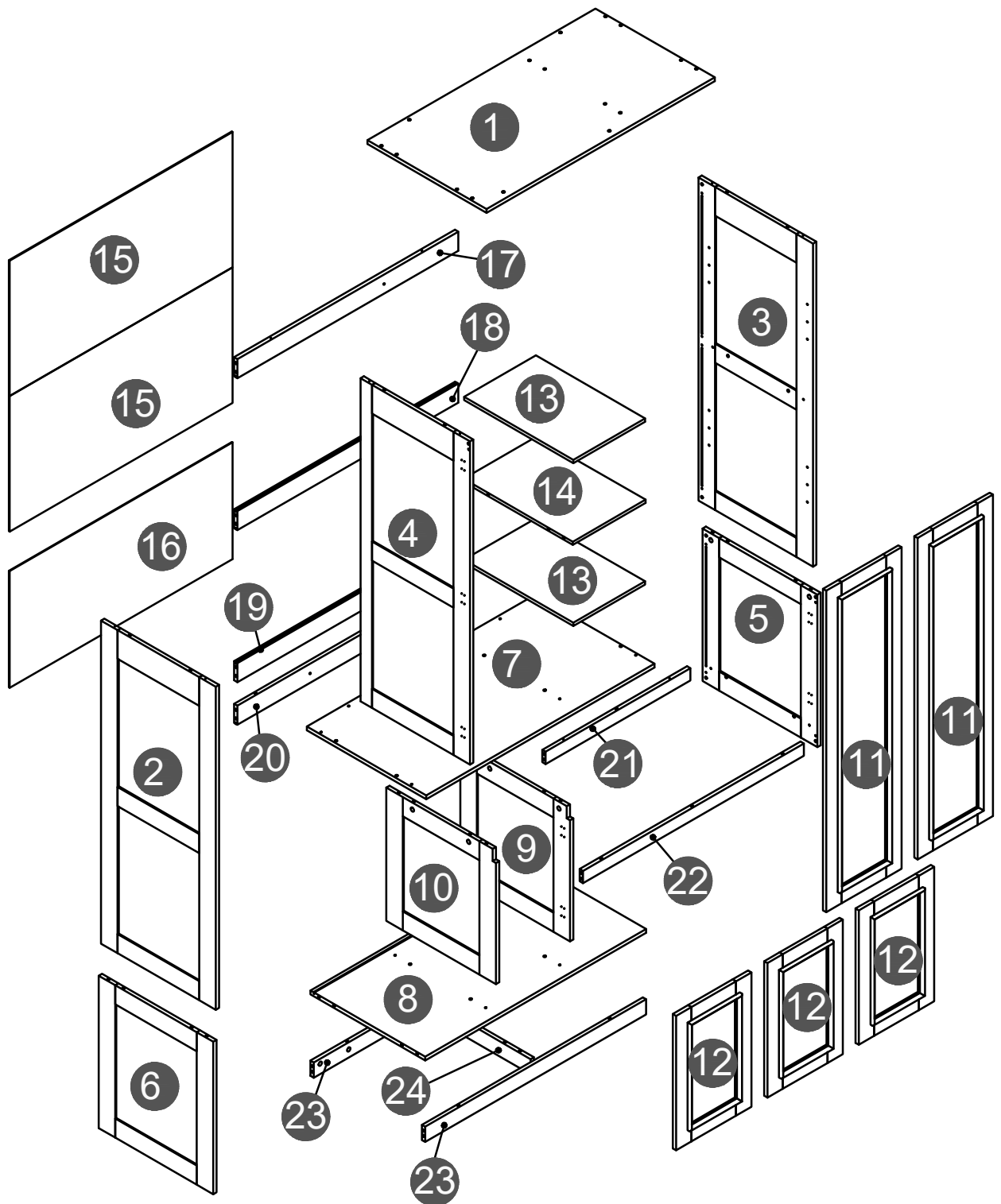


\*Power Tool **NOT**  
Recommended for **A-B**  
hardware assembly



**TOOL REQUIRED**  
Phillips Screwdriver

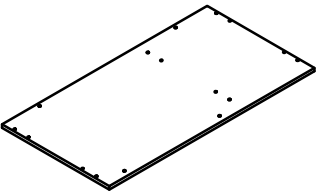
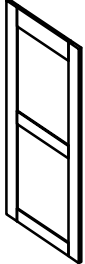
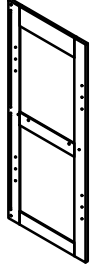
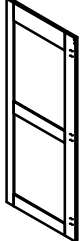
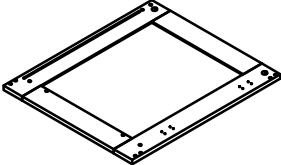
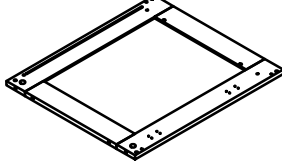
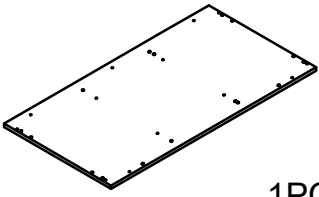
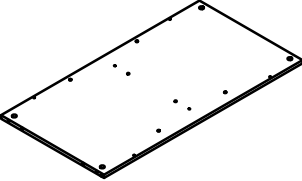
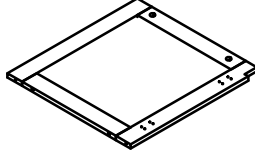
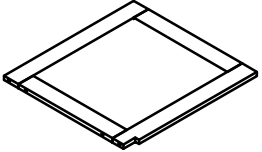
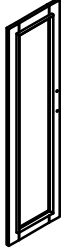
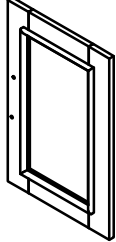
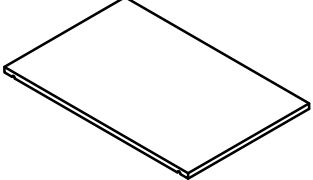
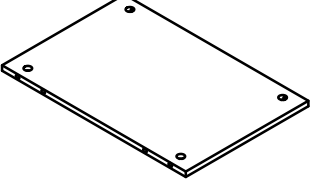
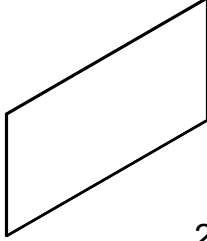
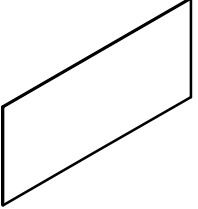
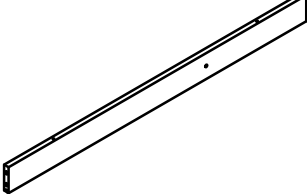

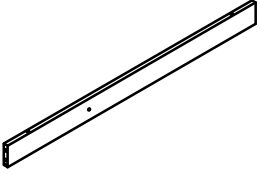
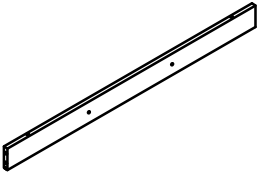
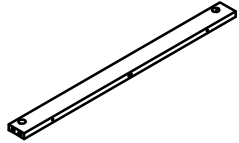
## PACKAGE CONTAINS



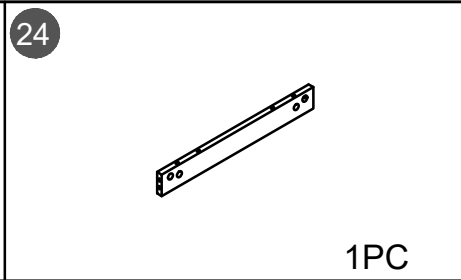
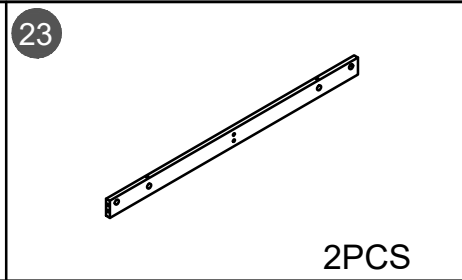
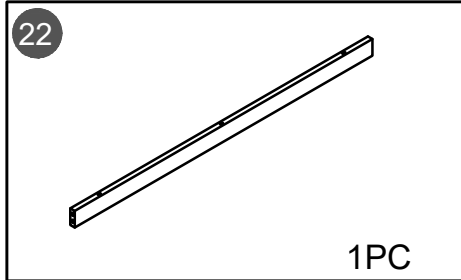
## TIPS

1. When installing the product, use a soft surface (such as carpet or cardboard) to avoid scratching or damaging the surface of the product.
2. Please try to use a manual screwdriver instead of electric screw driver. A manual screwdriver can be used to better control the tightness of the screws.
3. Do not use any glue.
4. The product is unstable before it is assembled. Please pay attention to the product installation sequence, and align all screws and screw holes before tightening.
5. The structure of this product can not meet the requirements of children climbing.







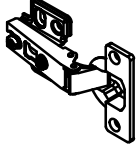
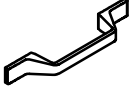



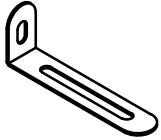


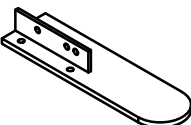
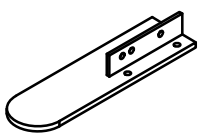











**PARTS LIST (Unit: mm)**

<p>1</p>  <p>1PC</p>	<p>2</p>  <p>1PC</p>	<p>3</p>  <p>1PC</p>
<p>4</p>  <p>1PC</p>	<p>5</p>  <p>1PC</p>	<p>6</p>  <p>1PC</p>
<p>7</p>  <p>1PC</p>	<p>8</p>  <p>1PC</p>	<p>9</p>  <p>1PC</p>
<p>10</p>  <p>1PC</p>	<p>11</p>  <p>2PCS</p>	<p>12</p>  <p>3PCS</p>
<p>13</p>  <p>2PCS</p>	<p>14</p>  <p>1PC</p>	<p>15</p>  <p>2PCS</p>
<p>16</p>  <p>1PC</p>	<p>17</p>  <p>1PC</p>	<p>18</p>  <p>1PC</p>
<p>19</p>  <p>1PC</p>	<p>20</p>  <p>1PC</p>	<p>21</p>  <p>1PC</p>

**PARTS LIST (Unit: mm)**

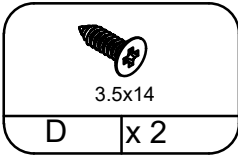
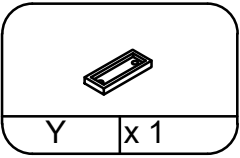
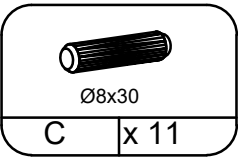
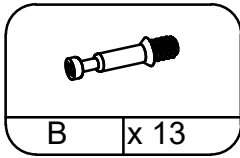
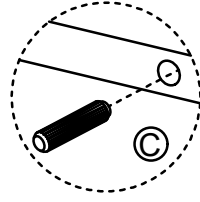
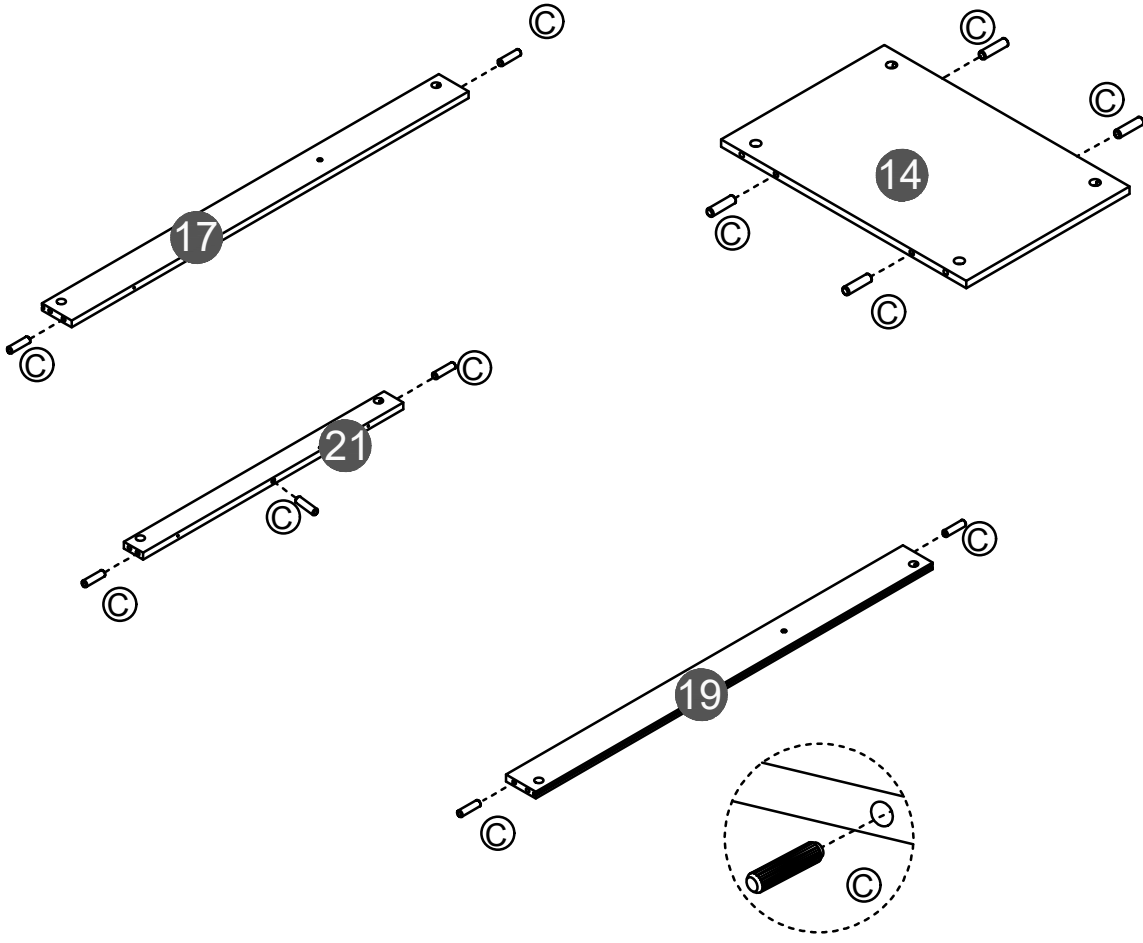
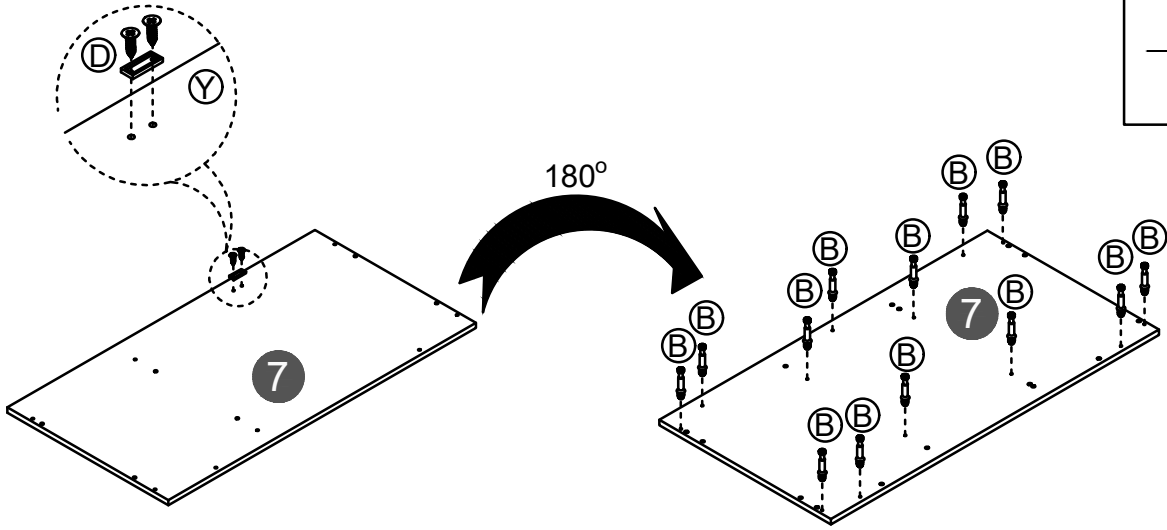
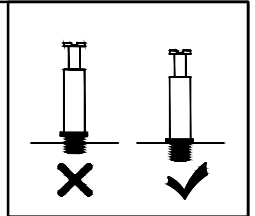


# ACCESSORIES LIST (Unit: mm)

 Ø15x9.5 A   x 47+4	 Ø5x50 B   x 47+4	 Ø8x30 C   x 51+5	 3.5x14 D   x 78+7
 M4x19 E   x 10	 Ø5x50 F   x 27+2	 G   x 12	 H   x 5
 I   x	 K   x 2	 Ø4x12 L   x 4	 M   x 2
 Ø4x38 N   x 2	 M3 O   x 1	 P   x 1	 Q   x 1
 Ø4x25 R   x 4	 Ø5x15mm S   x 4	 T   x 2	 U   x 1
 V   x 1	 W   x 12	 Ø3x16 X   x 12	 Y   x 1
 Z   x 8	 Ø3.5x14 A1   x 6	 B1   x 3	

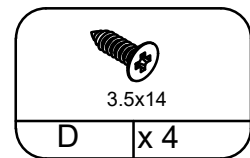
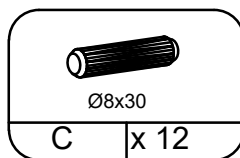
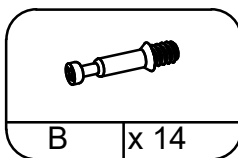
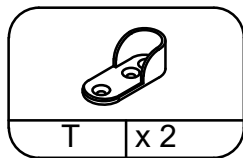
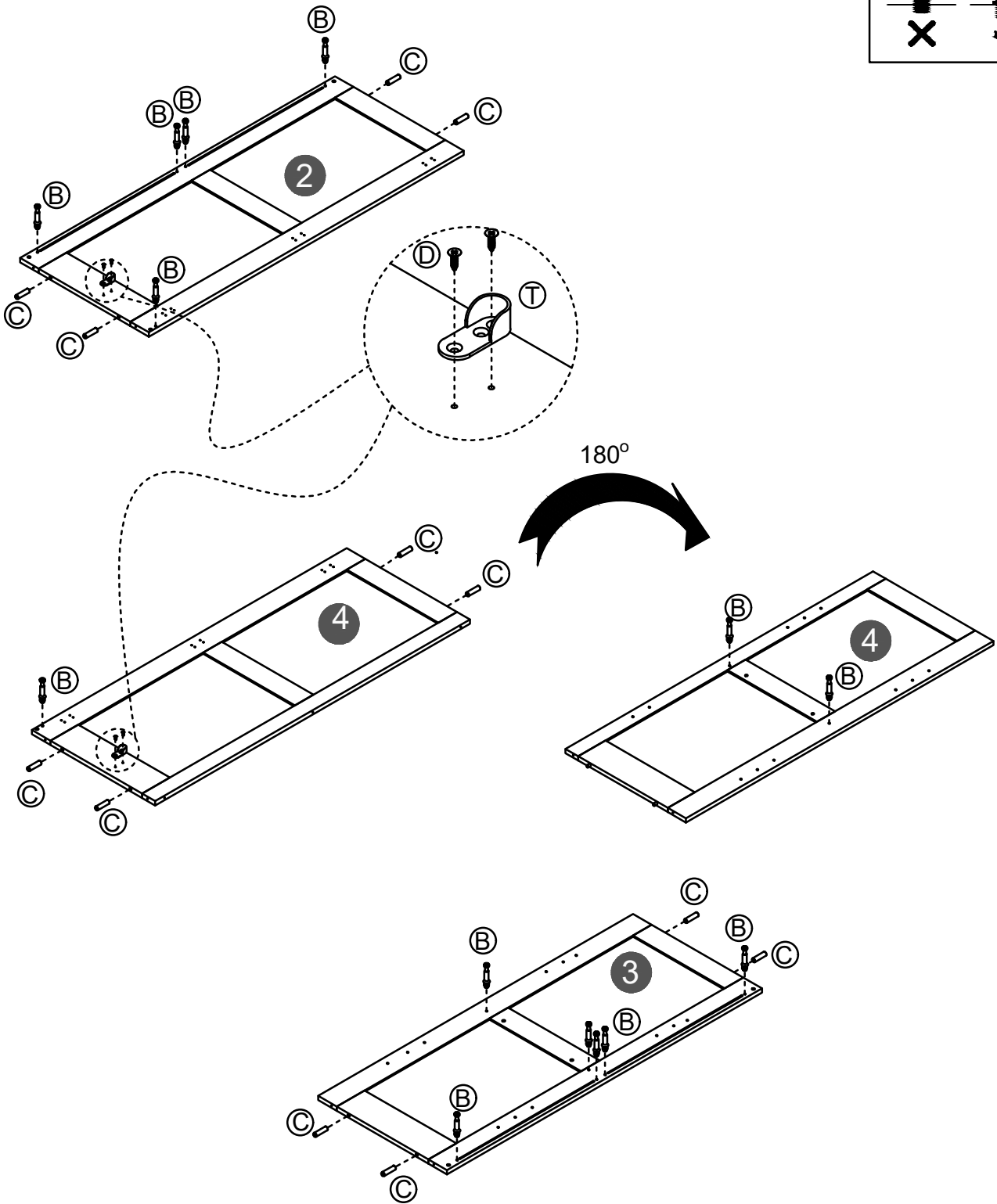
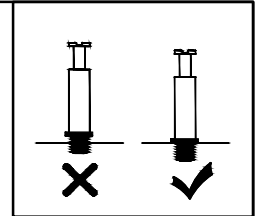
# INSTALLATION INSTRUCTION

## STEP 1



# INSTALLATION INSTRUCTION

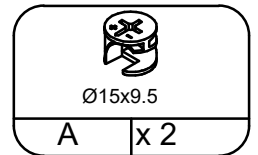
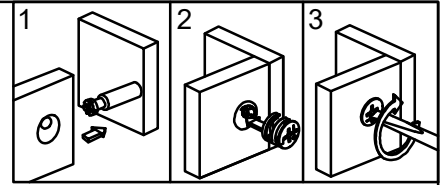
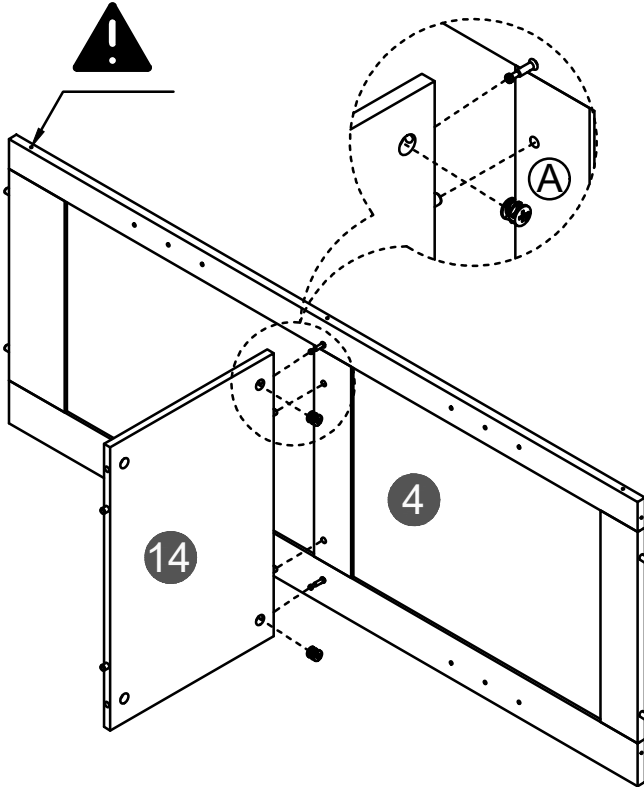
## STEP 2



# INSTALLATION INSTRUCTION

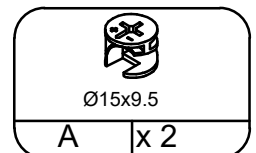
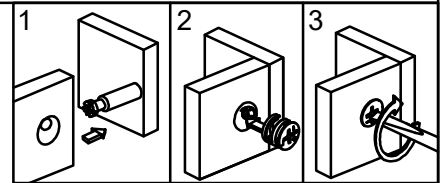
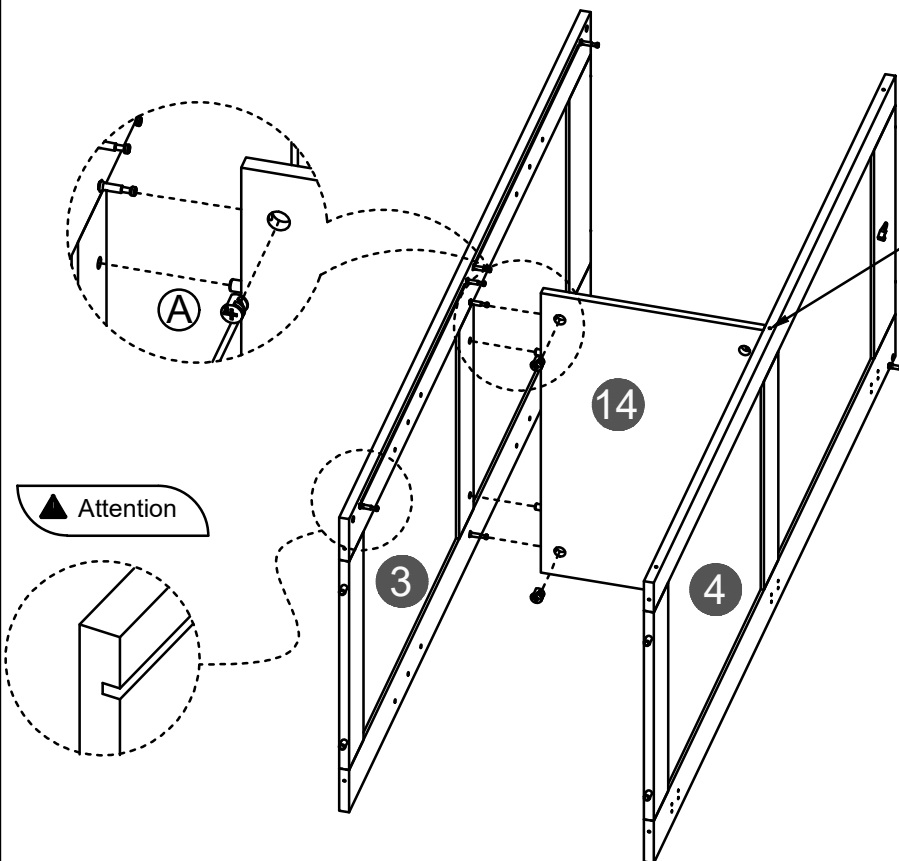
## STEP 3

Note: Holes position



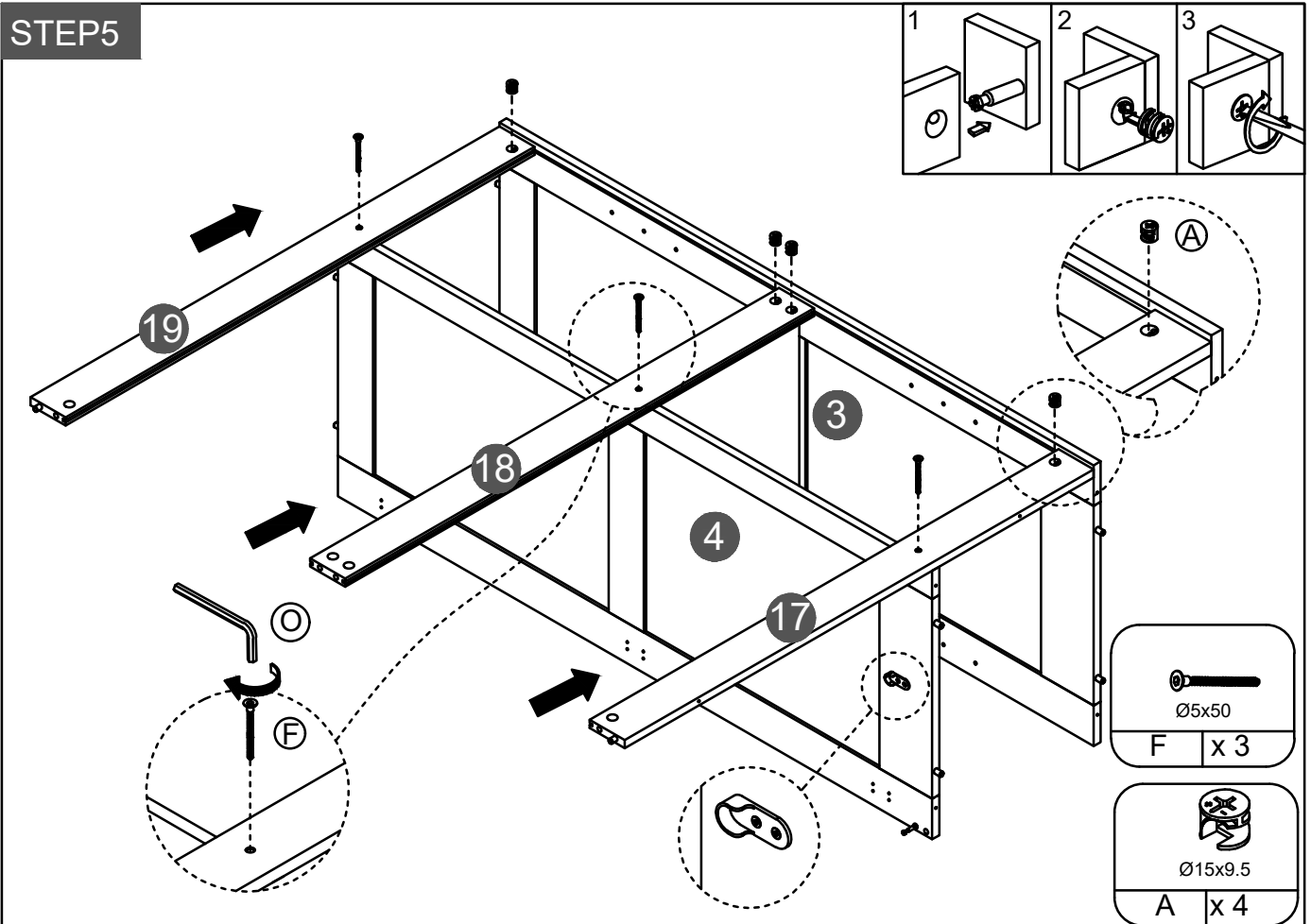
## STEP 4

Note: Holes position

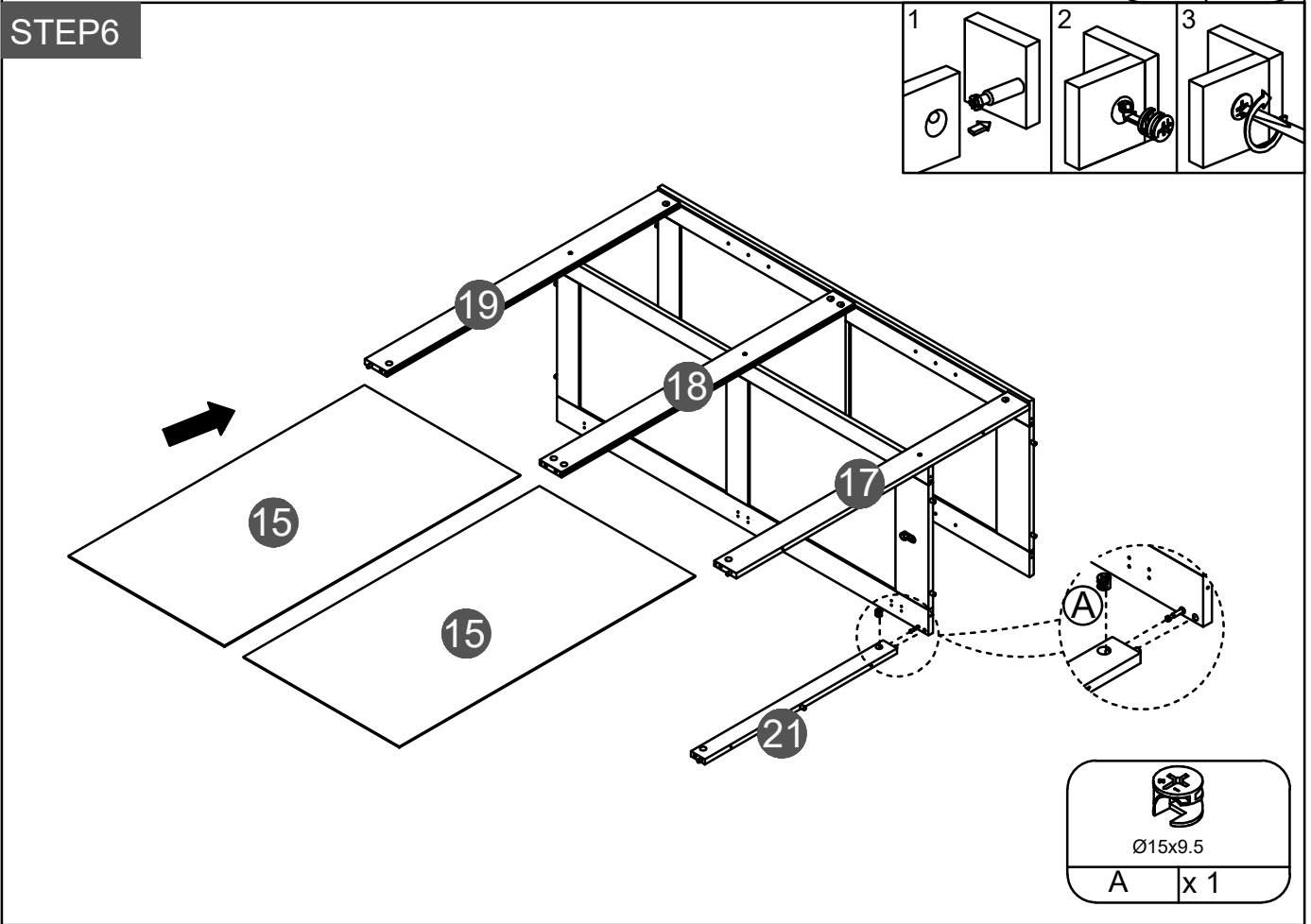


# INSTALLATION INSTRUCTION

## STEP 5

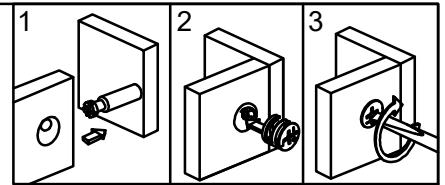


## STEP 6

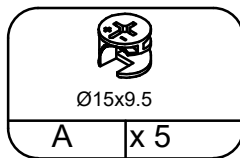
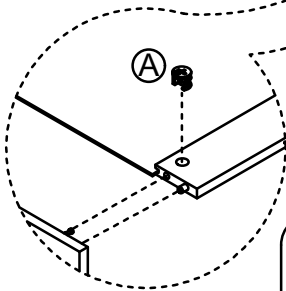
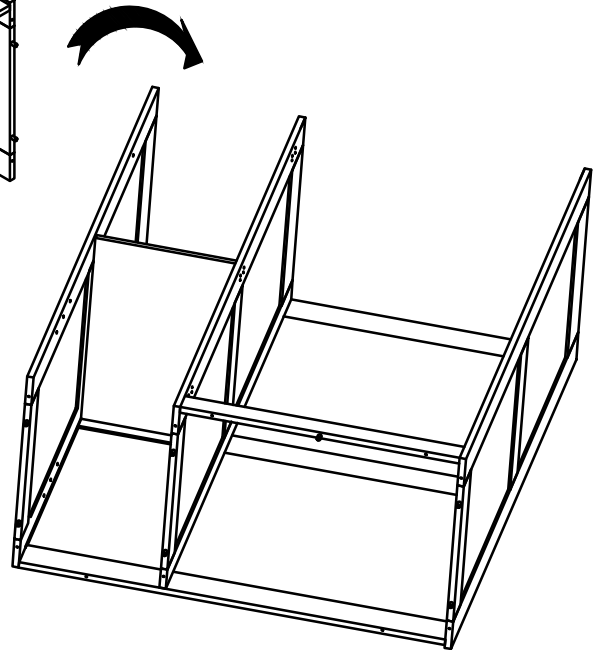
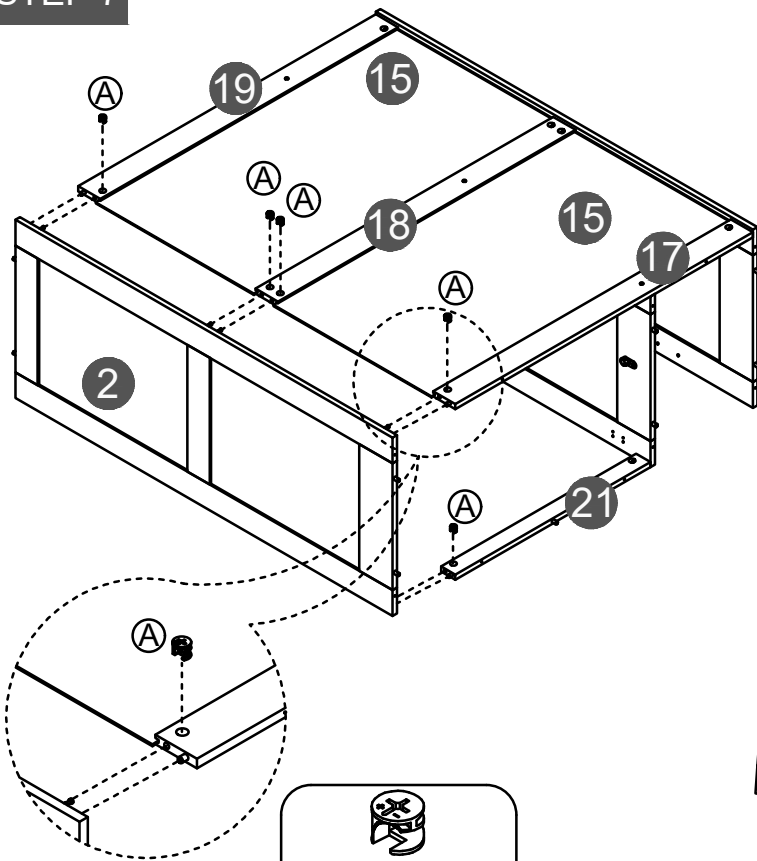


# INSTALLATION INSTRUCTION

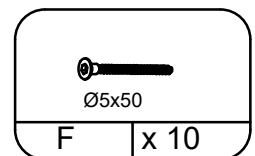
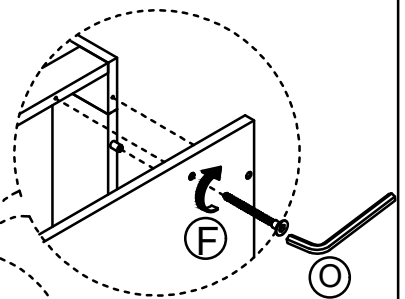
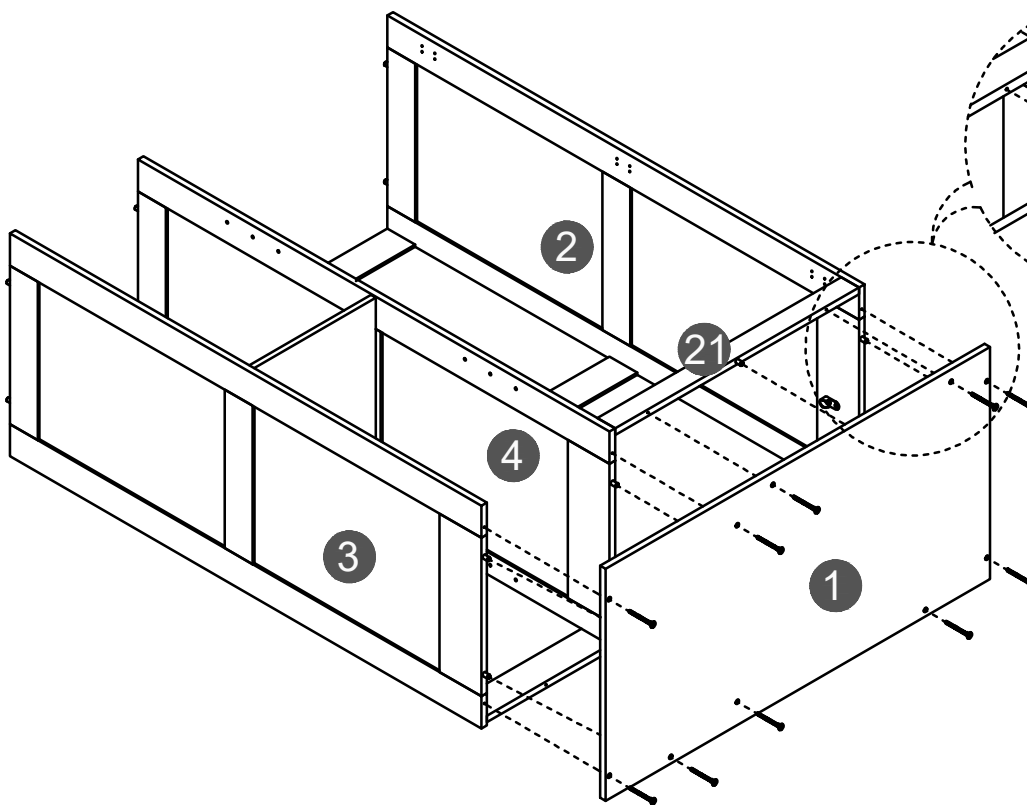
## STEP 7



Rotate 180°, put the back panel on bottom

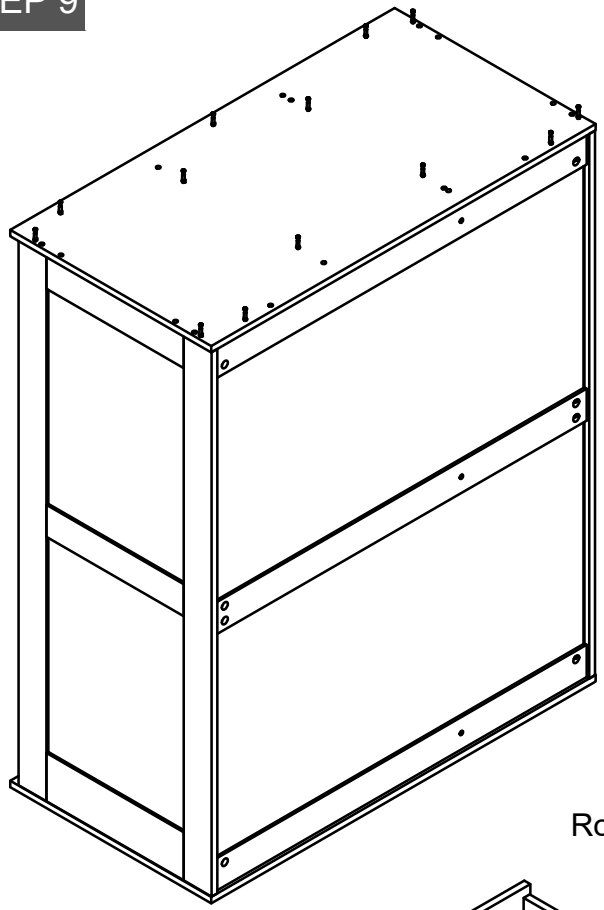
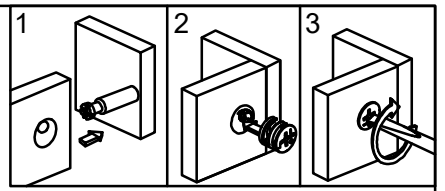


## STEP 8

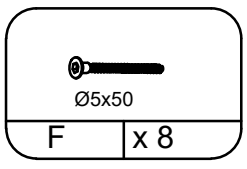
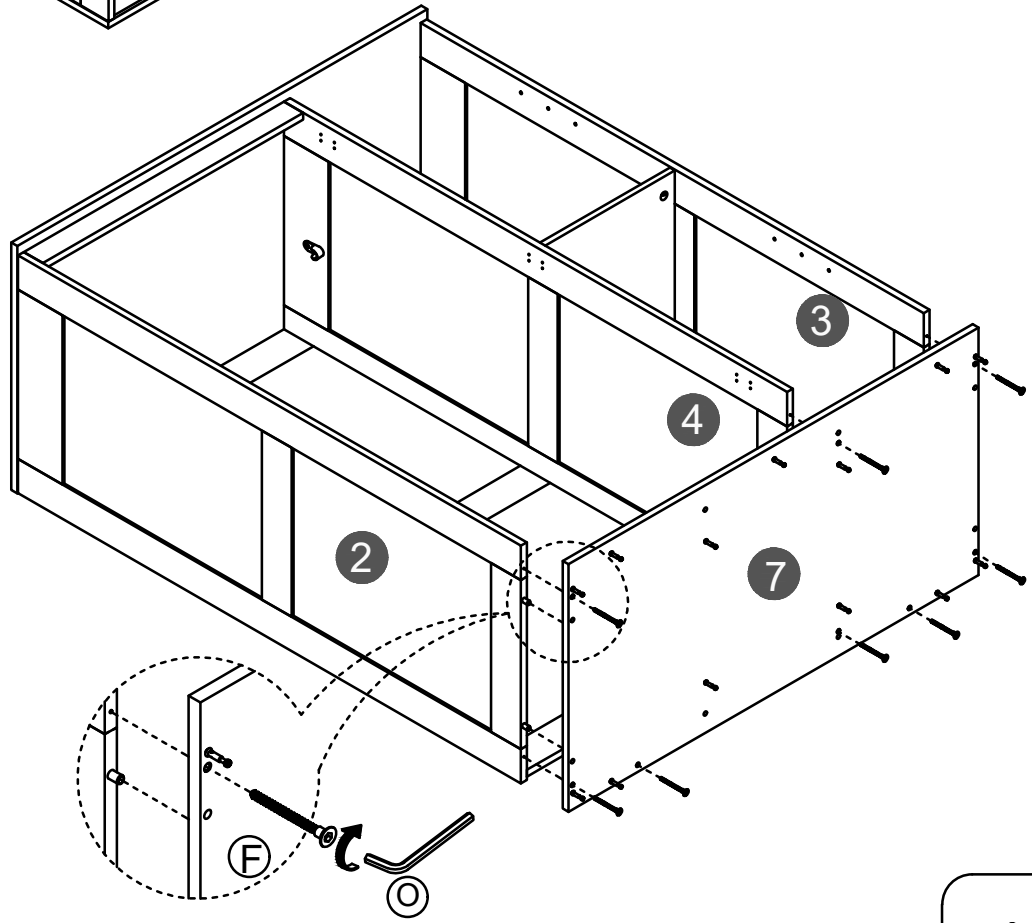


# INSTALLATION INSTRUCTION

## STEP 9

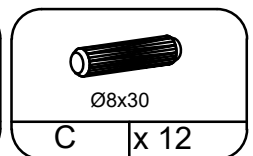
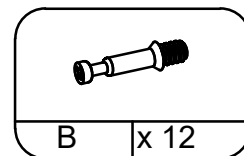
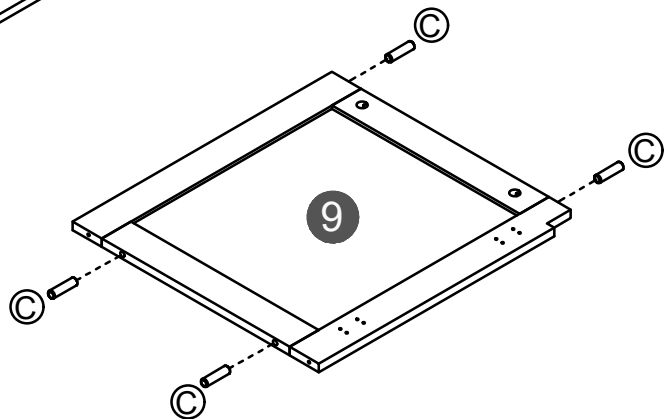
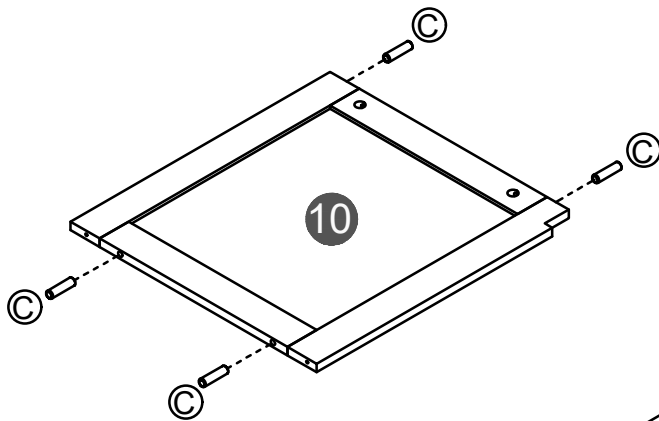
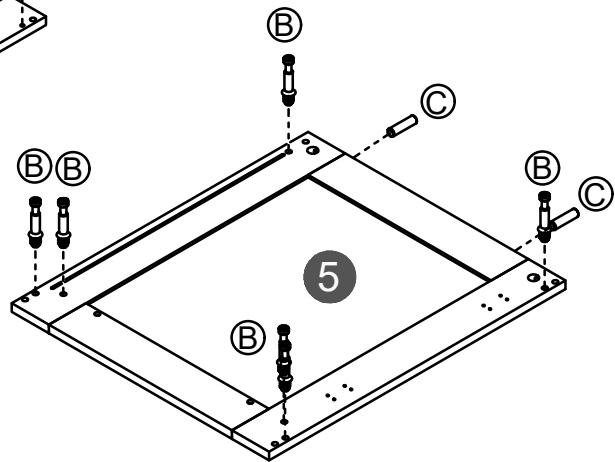
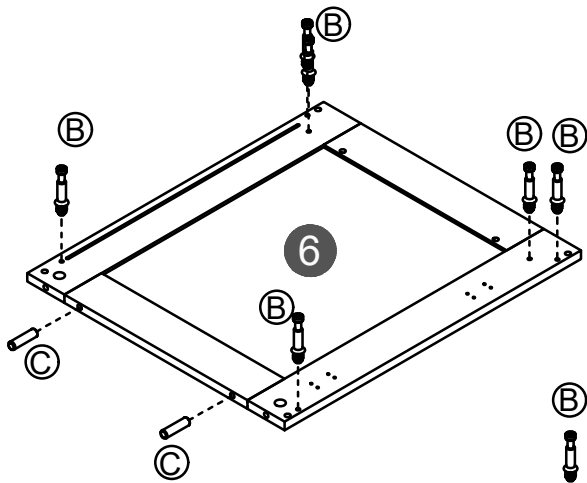


Rotate 90°, put the top panel on bottom



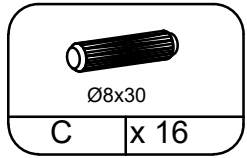
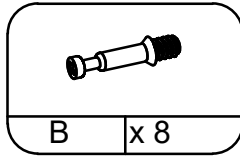
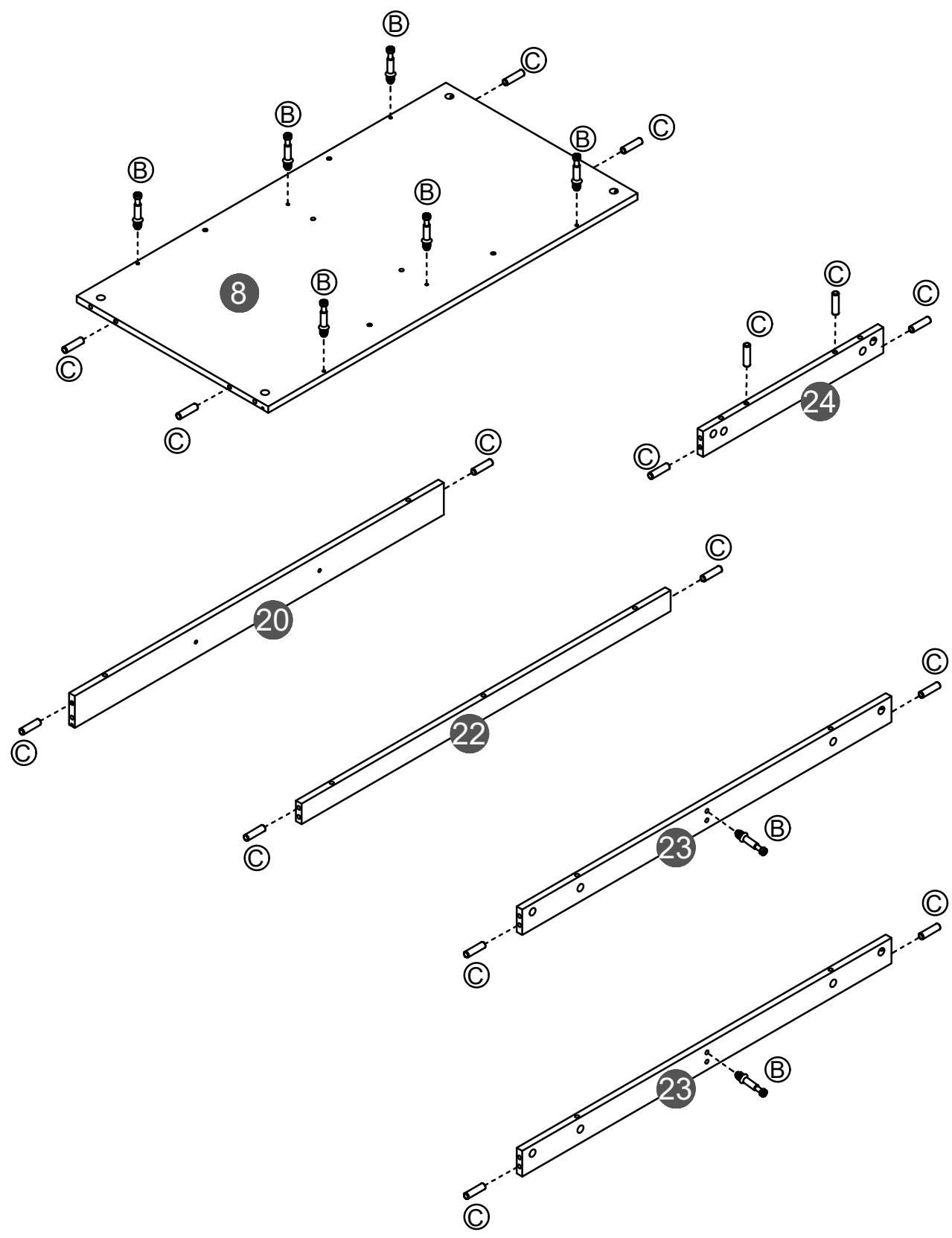
# INSTALLATION INSTRUCTION

## STEP 10



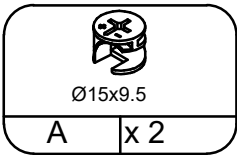
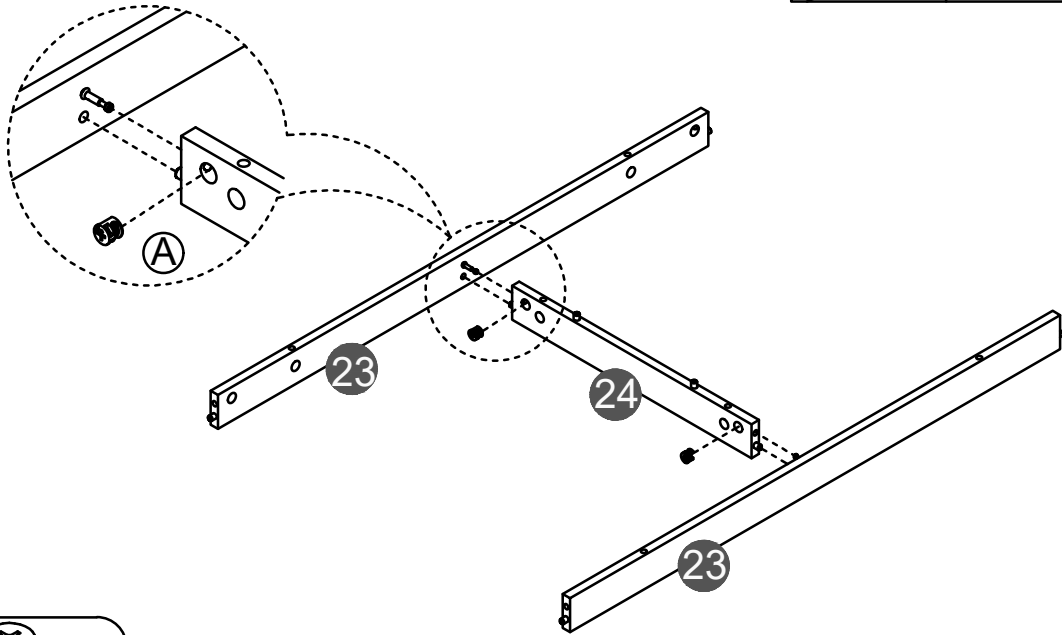
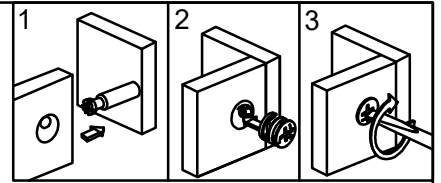
# INSTALLATION INSTRUCTION

## STEP 11

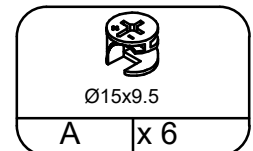
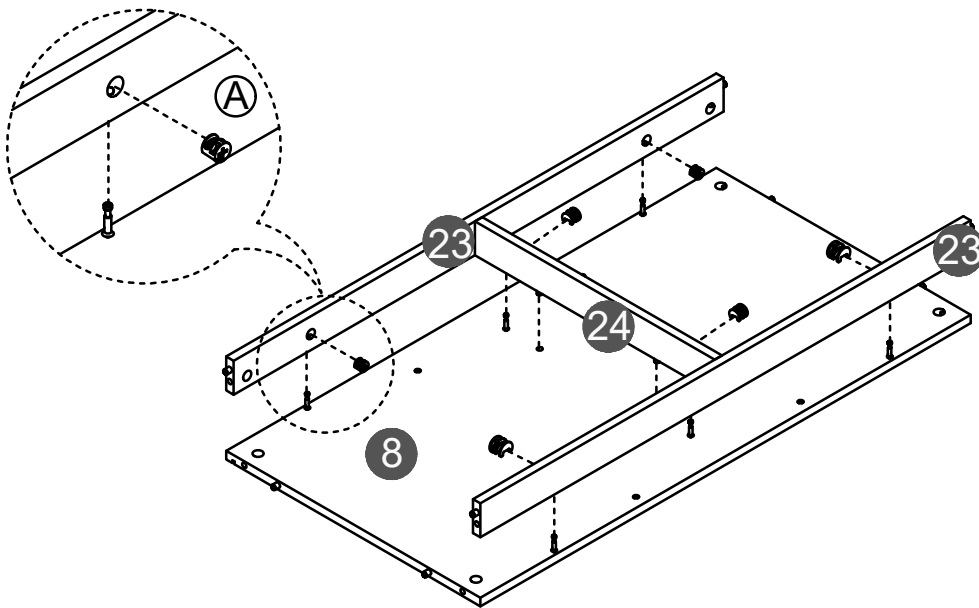
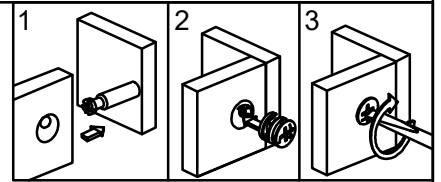


# INSTALLATION INSTRUCTION

## STEP 12

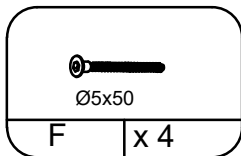
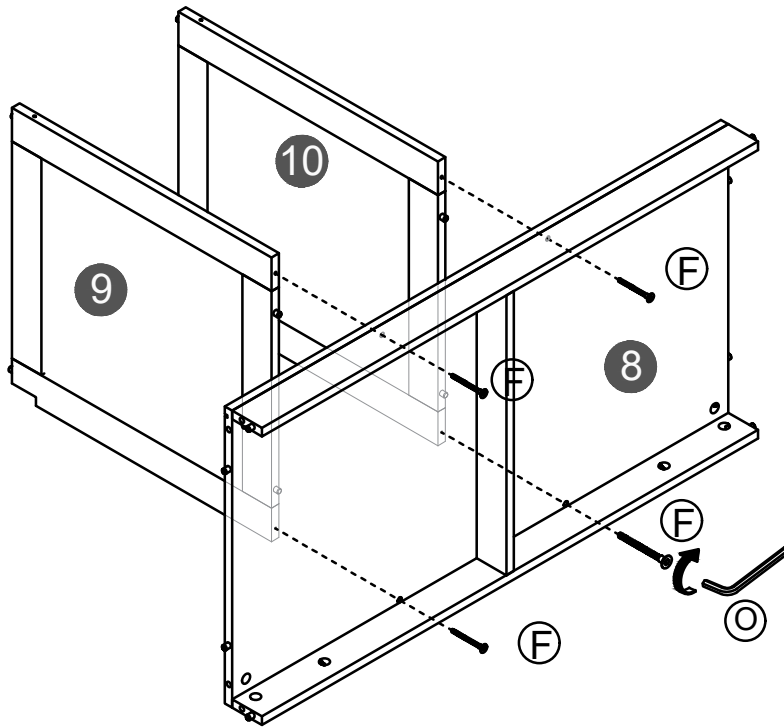


## STEP 13

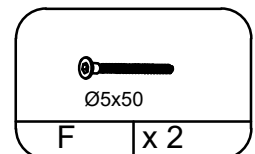
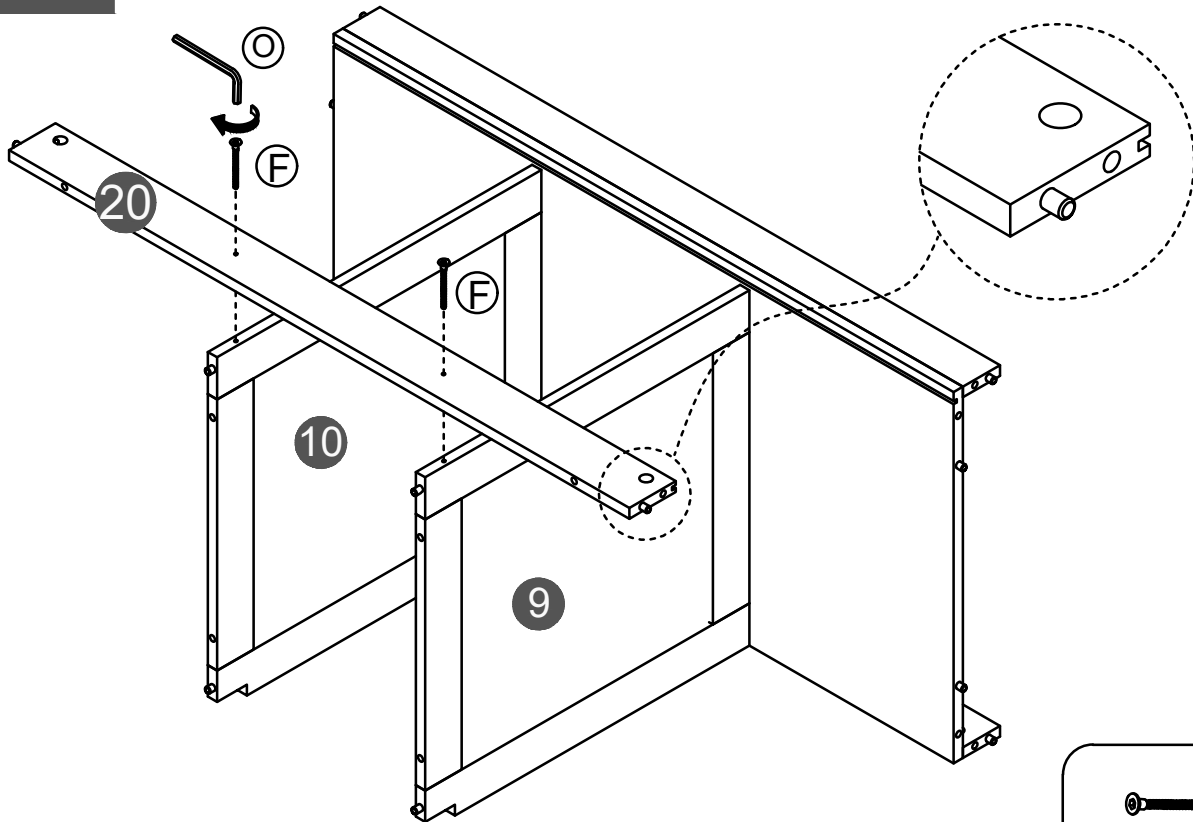


# INSTALLATION INSTRUCTION

## STEP 14

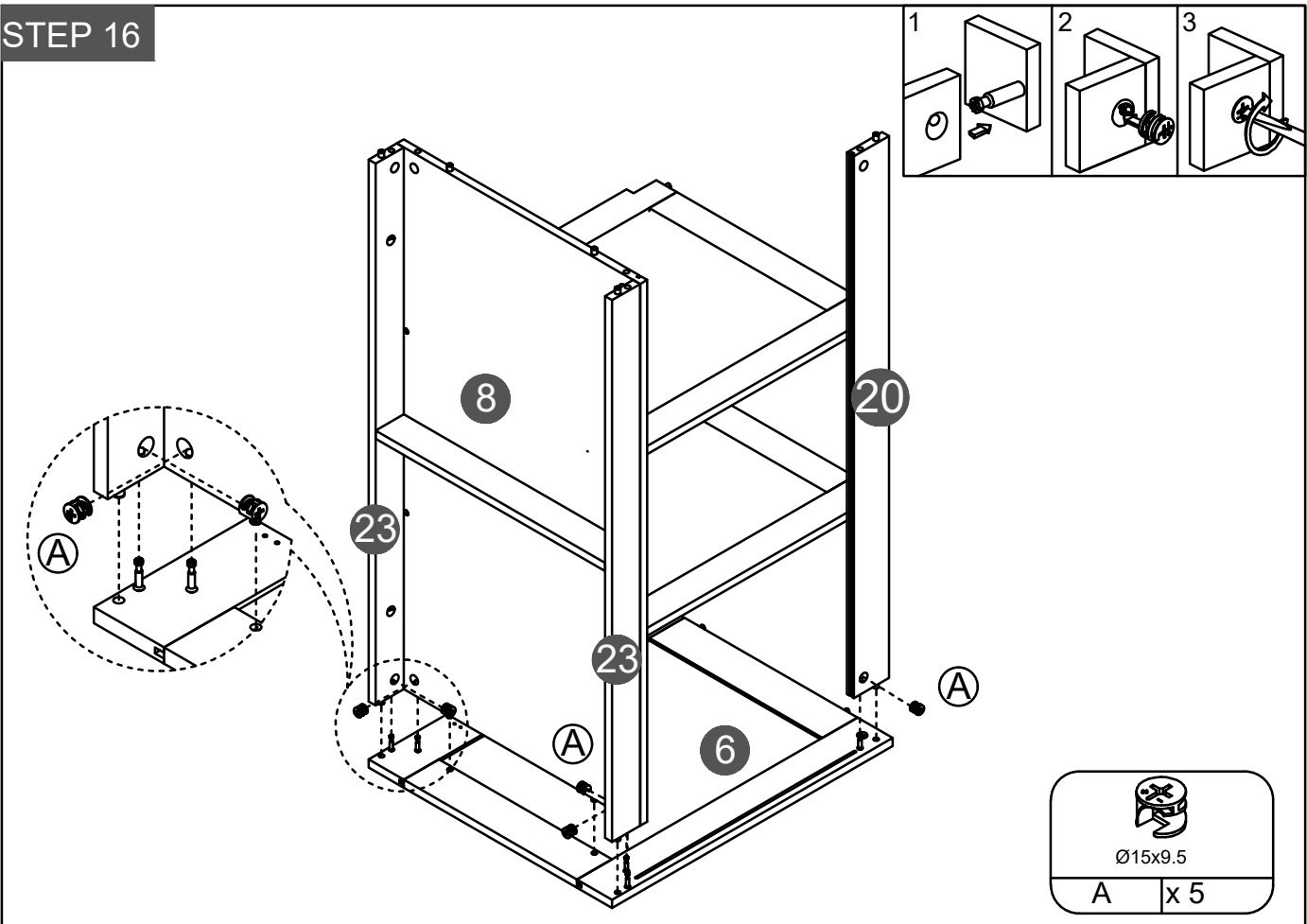


## STEP 15

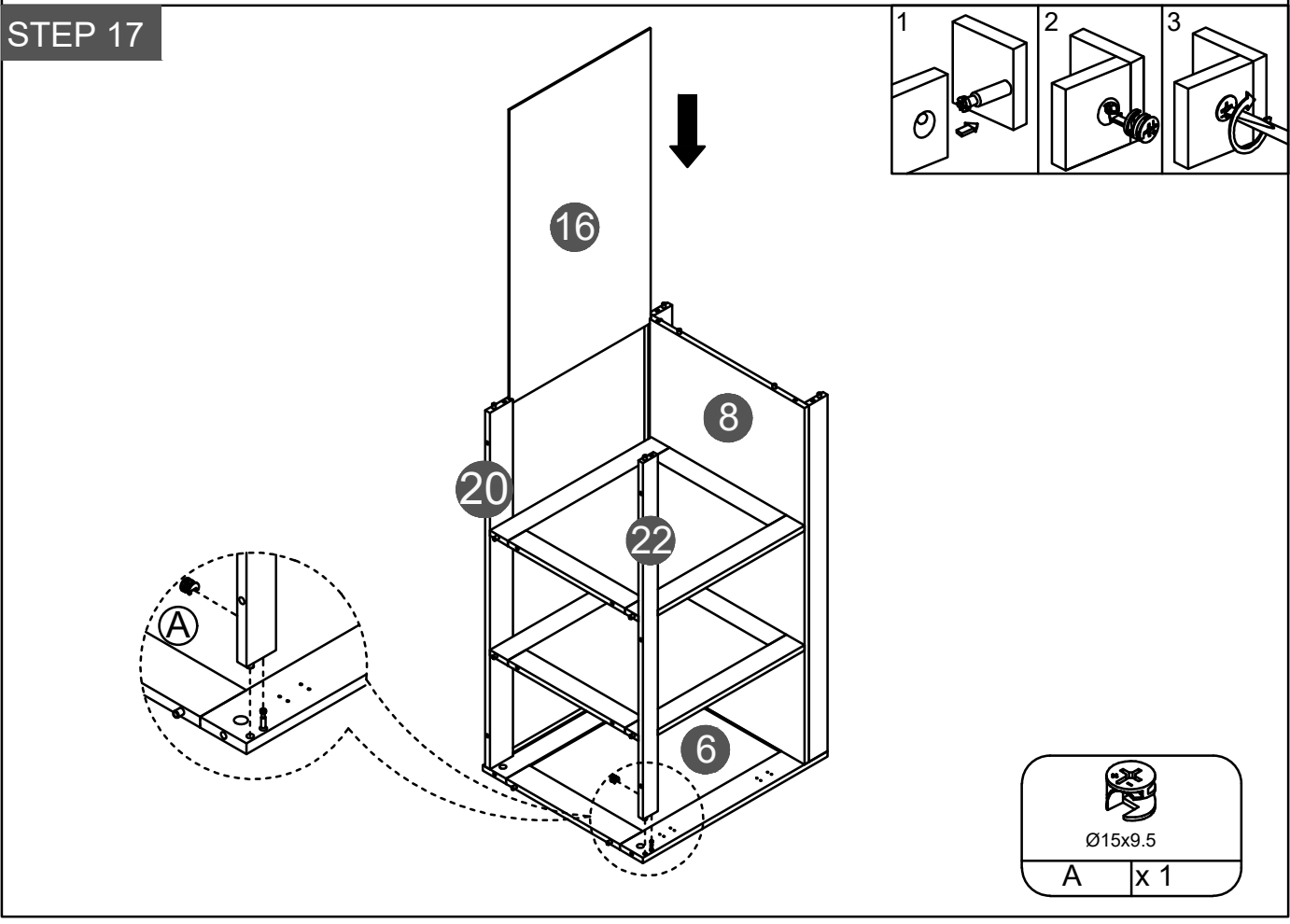


# INSTALLATION INSTRUCTION

## STEP 16

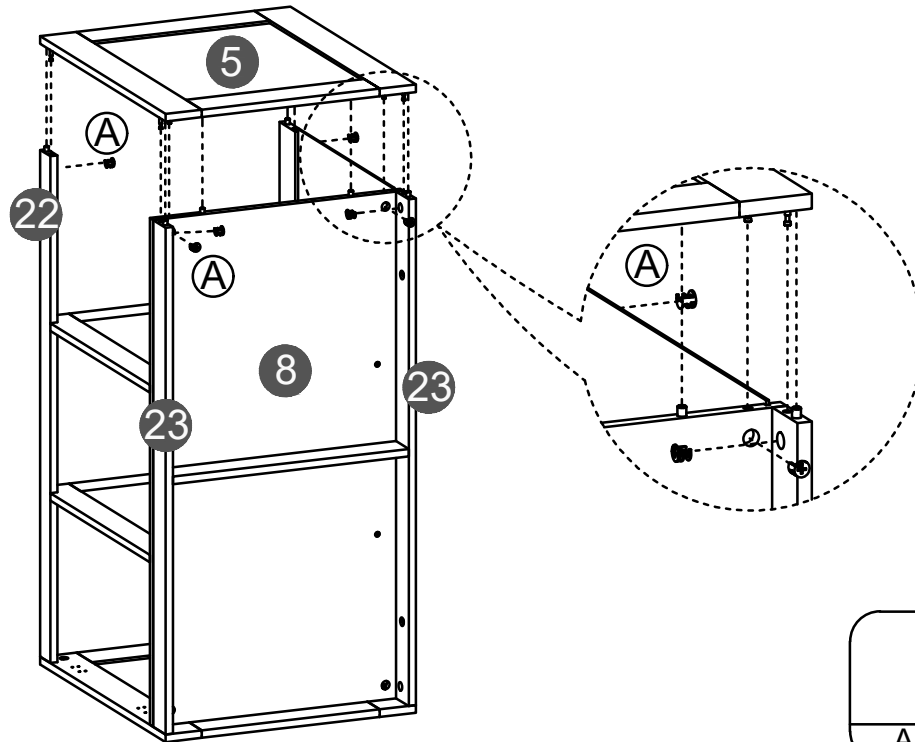
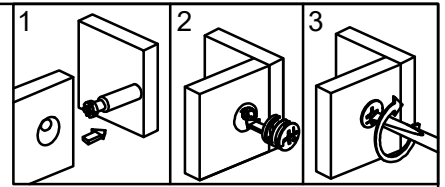


## STEP 17

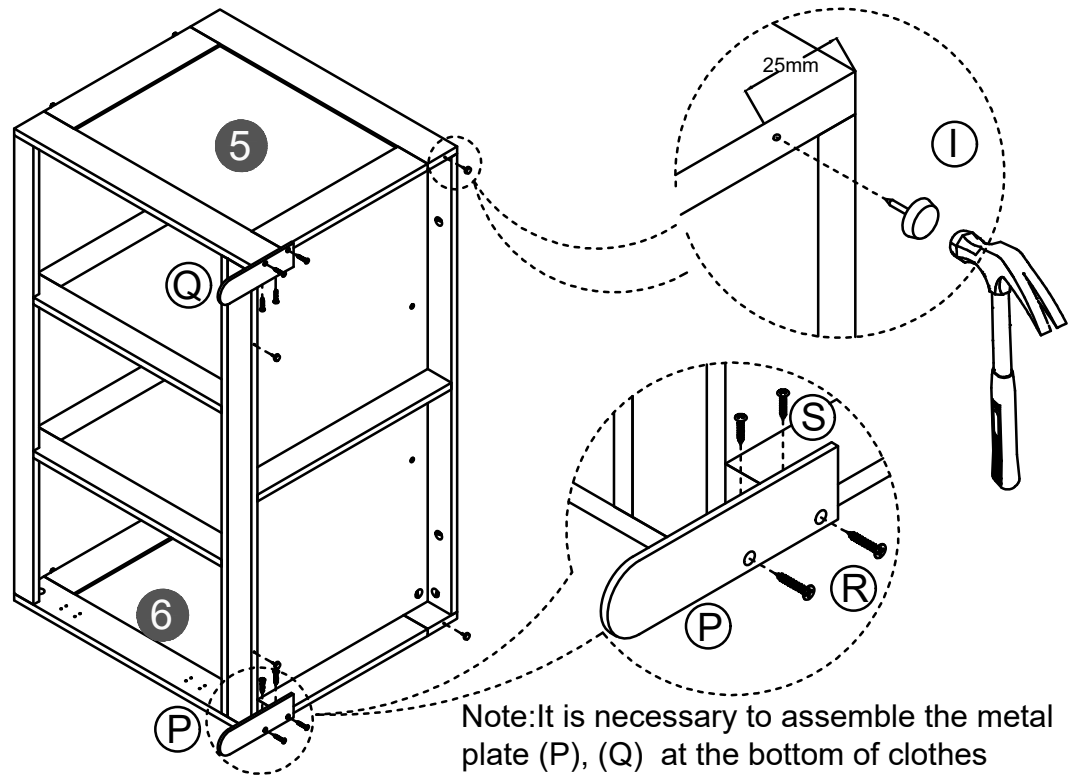


# INSTALLATION INSTRUCTION

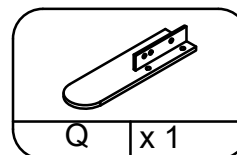
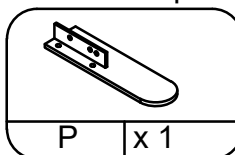
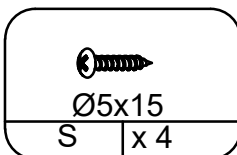
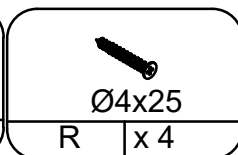
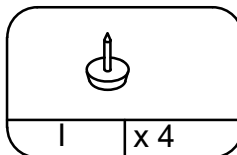
## STEP 18



## STEP 19

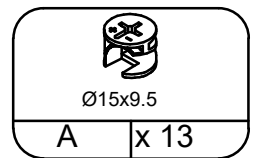
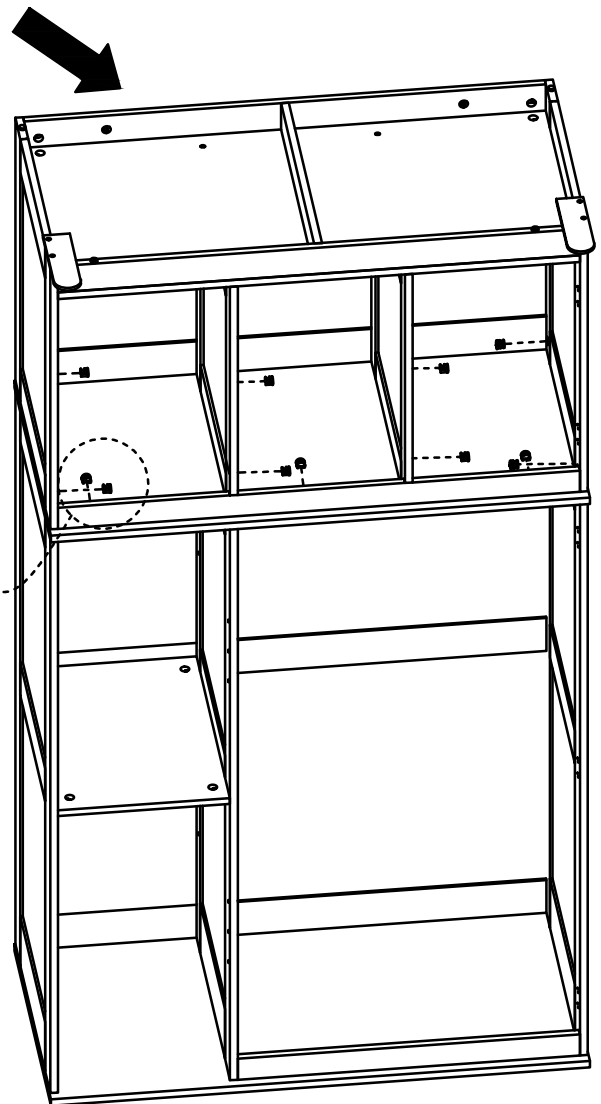
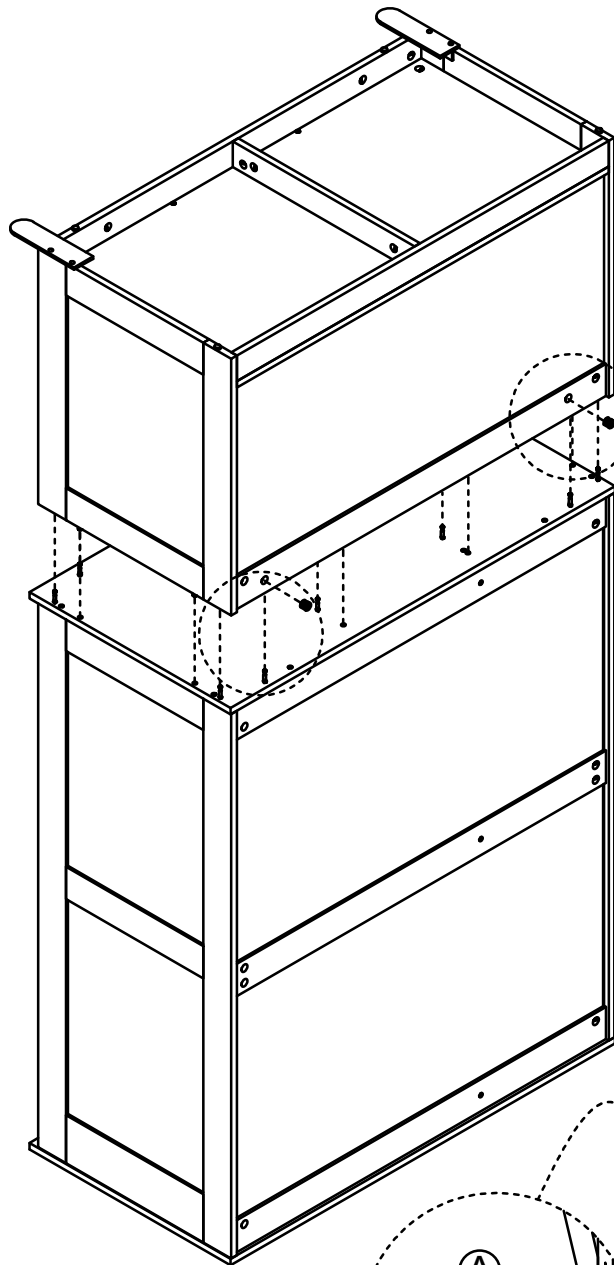
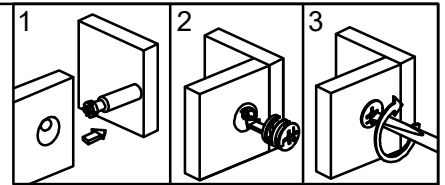


Note: It is necessary to assemble the metal plate (P), (Q) at the bottom of clothes cabinet to keep this unit more stable .



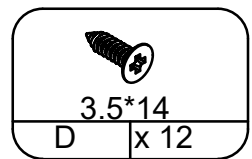
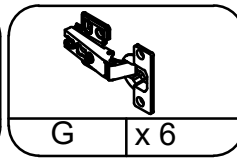
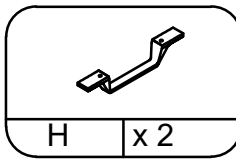
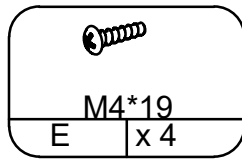
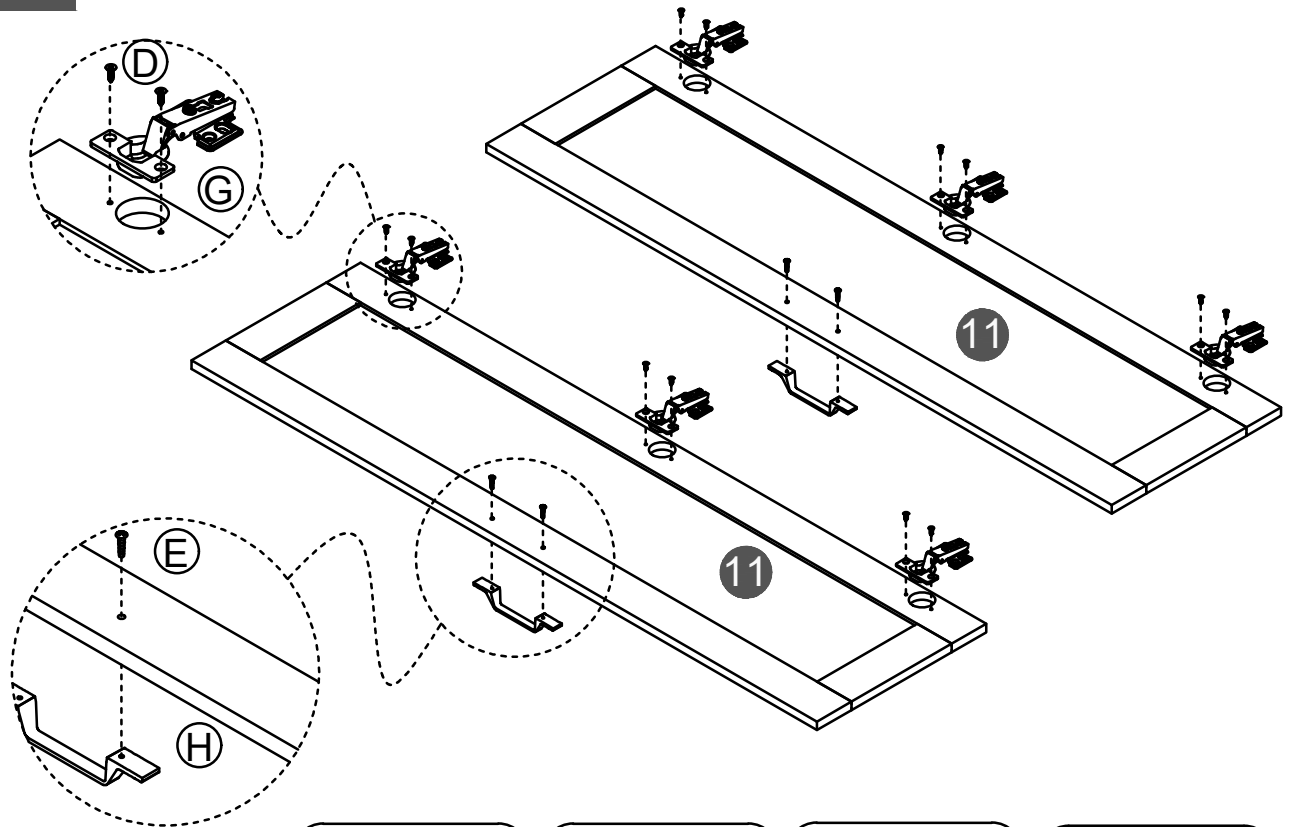
# INSTALLATION INSTRUCTION

## STEP 20

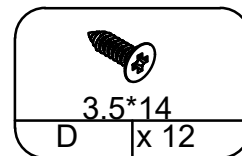
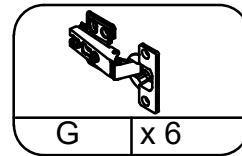
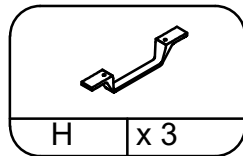
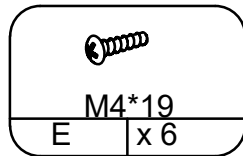
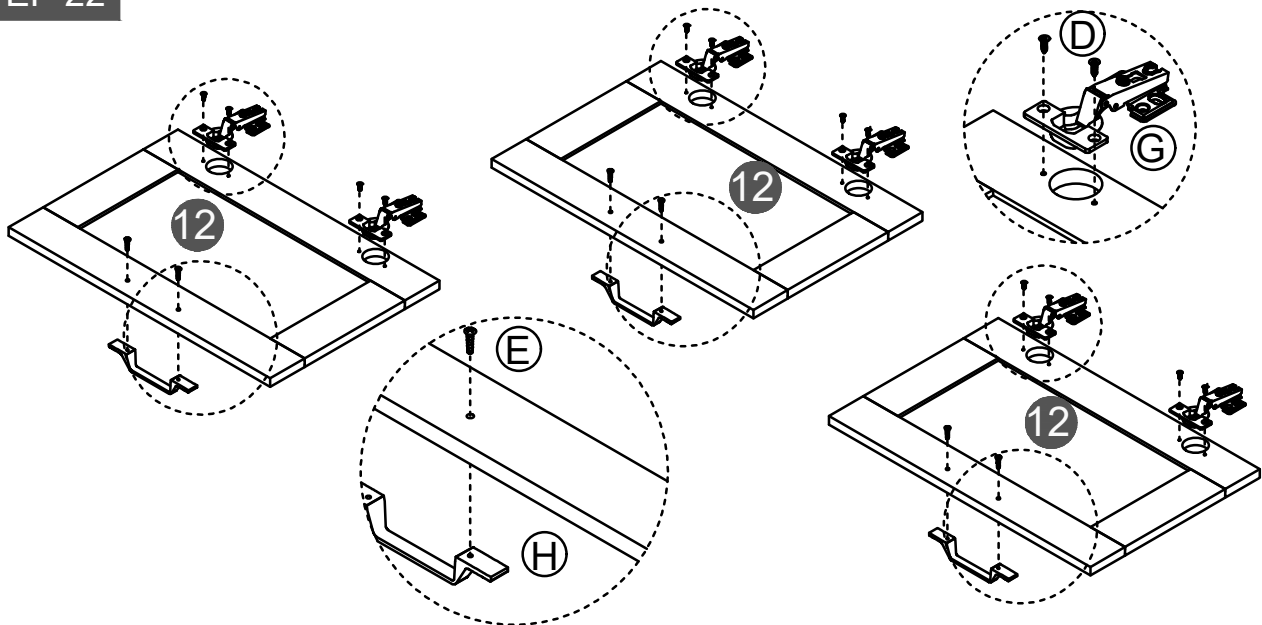


# INSTALLATION INSTRUCTION

## STEP 21

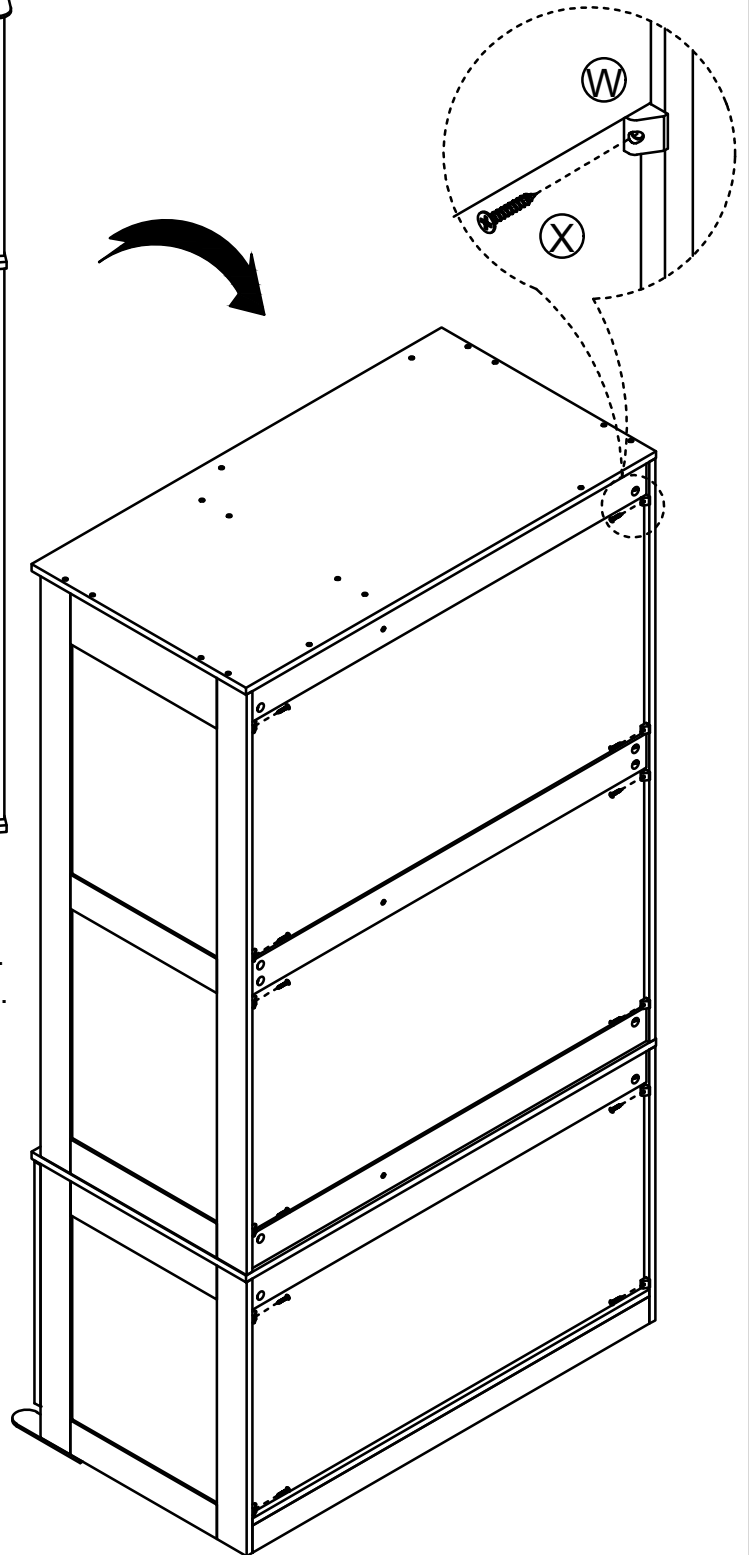
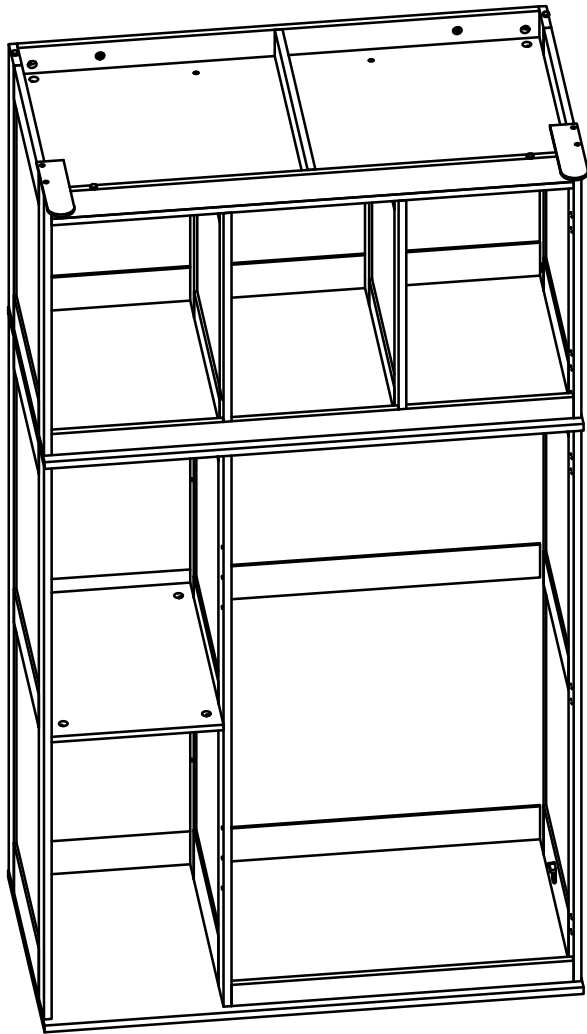


## STEP 22

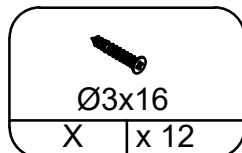
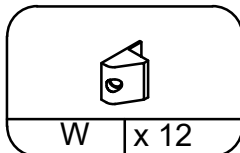


# INSTALLATION INSTRUCTION

## STEP 23

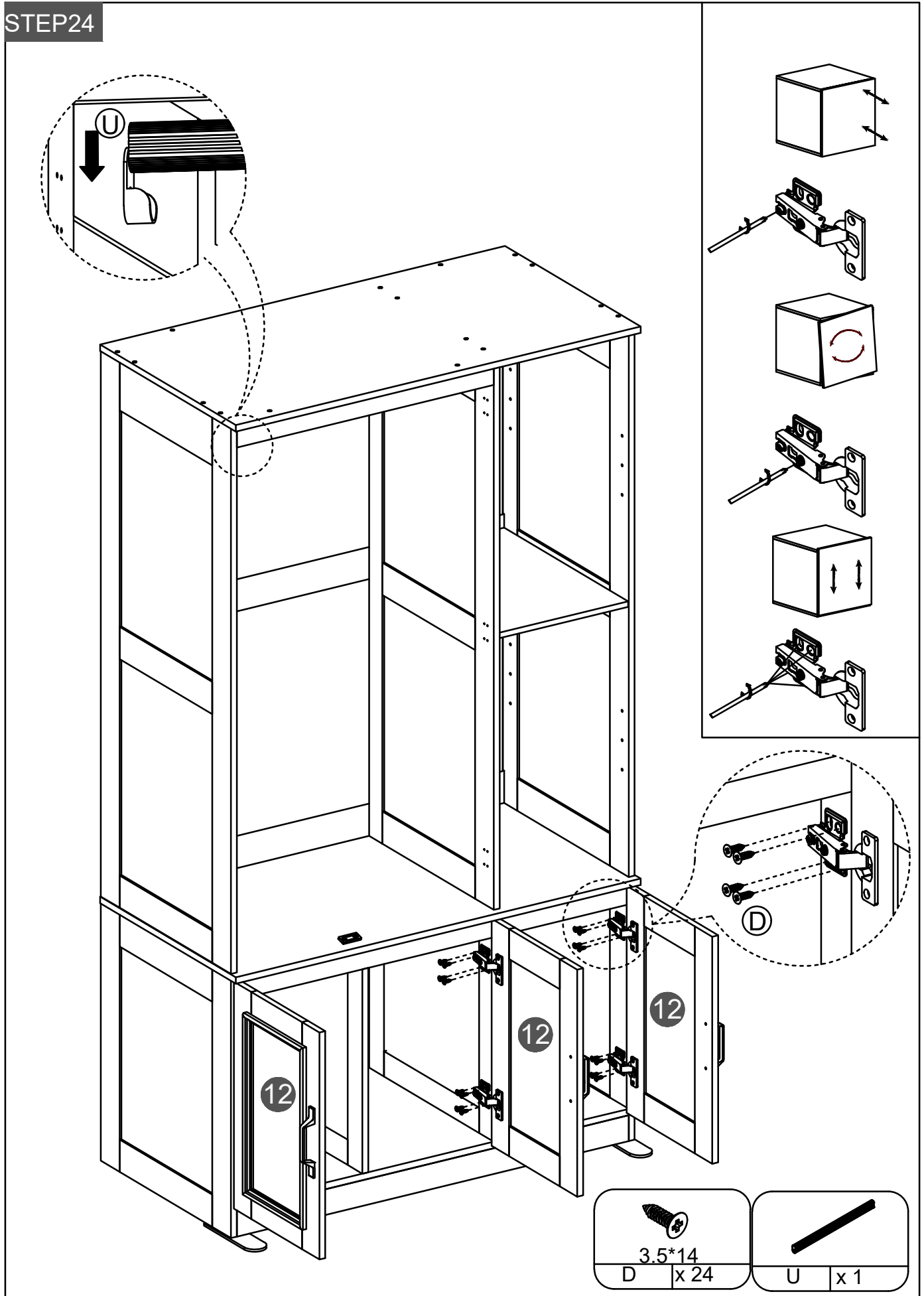


Due to incomplete assembled of the cabinet. be careful when you standing up the cabinet.



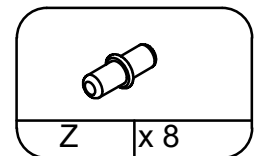
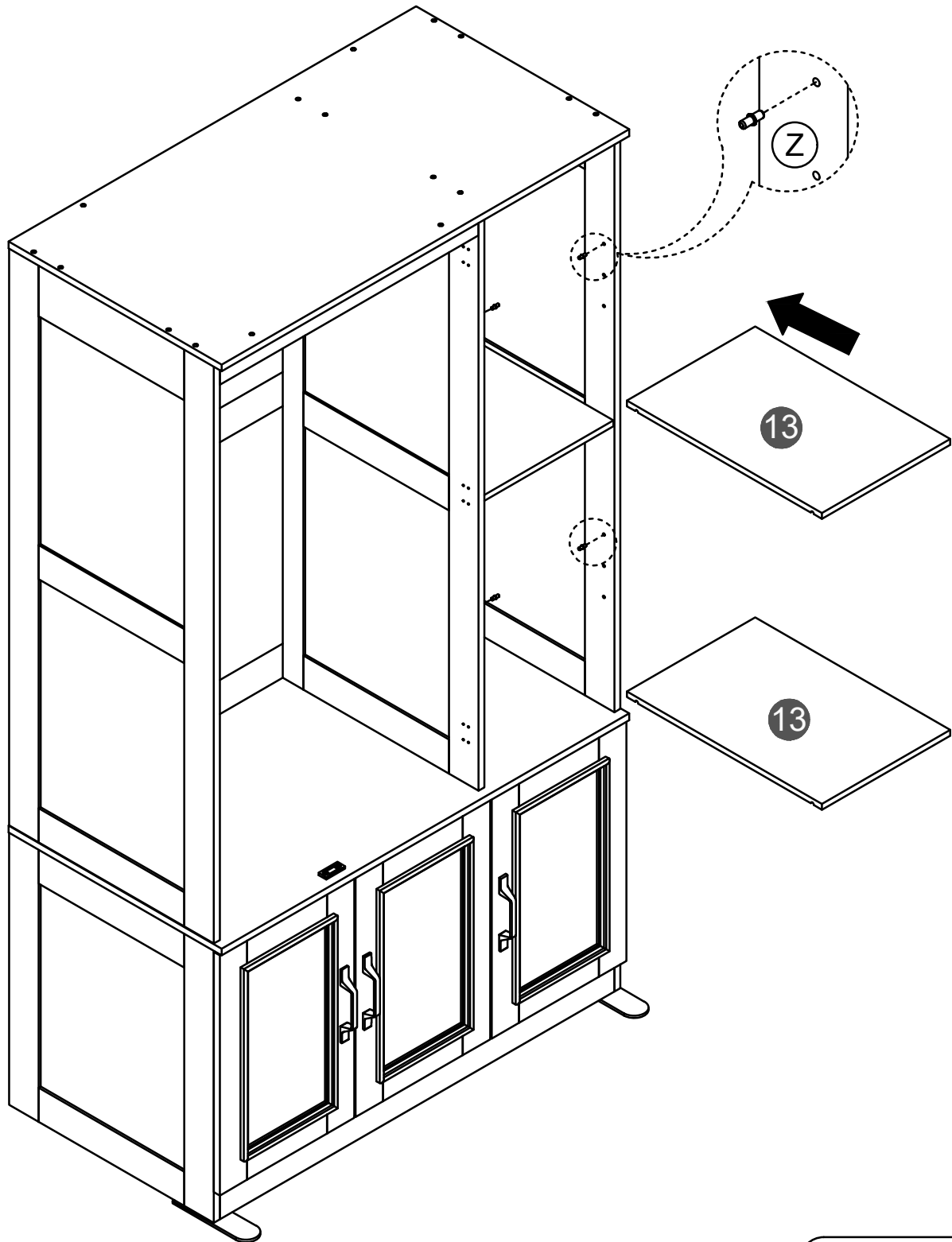
# INSTALLATION INSTRUCTION

## STEP 24



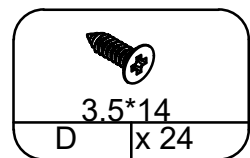
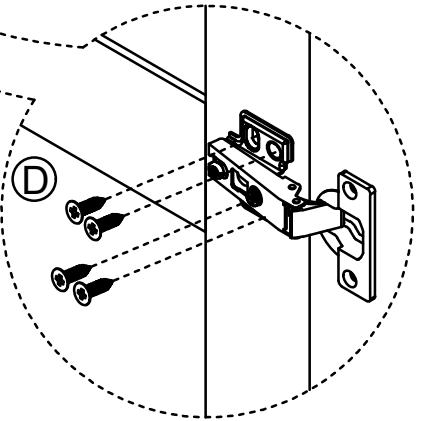
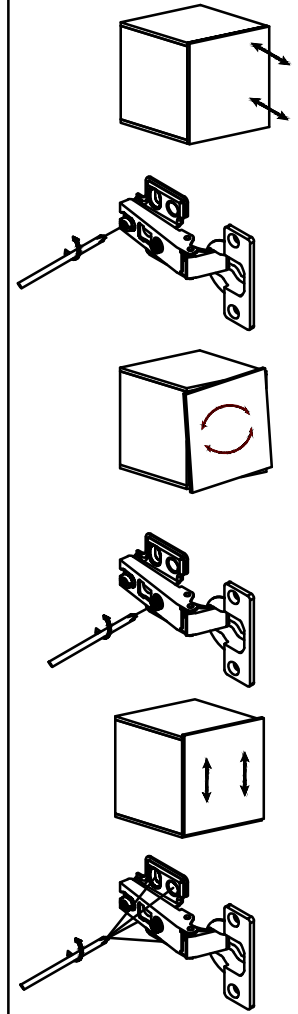
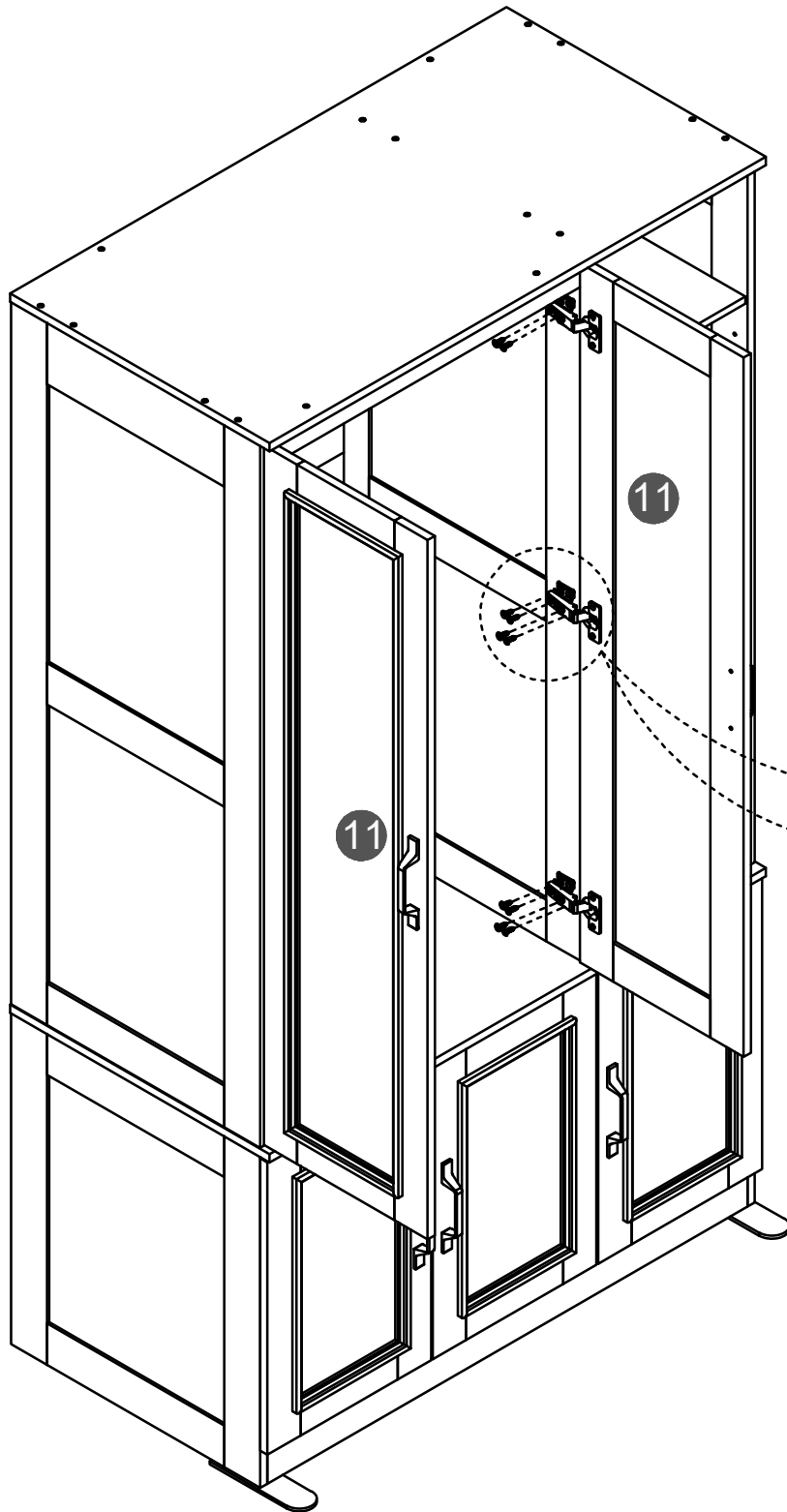
# INSTALLATION INSTRUCTION

## STEP 25



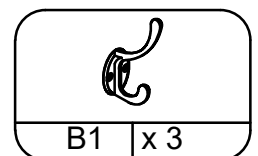
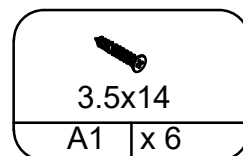
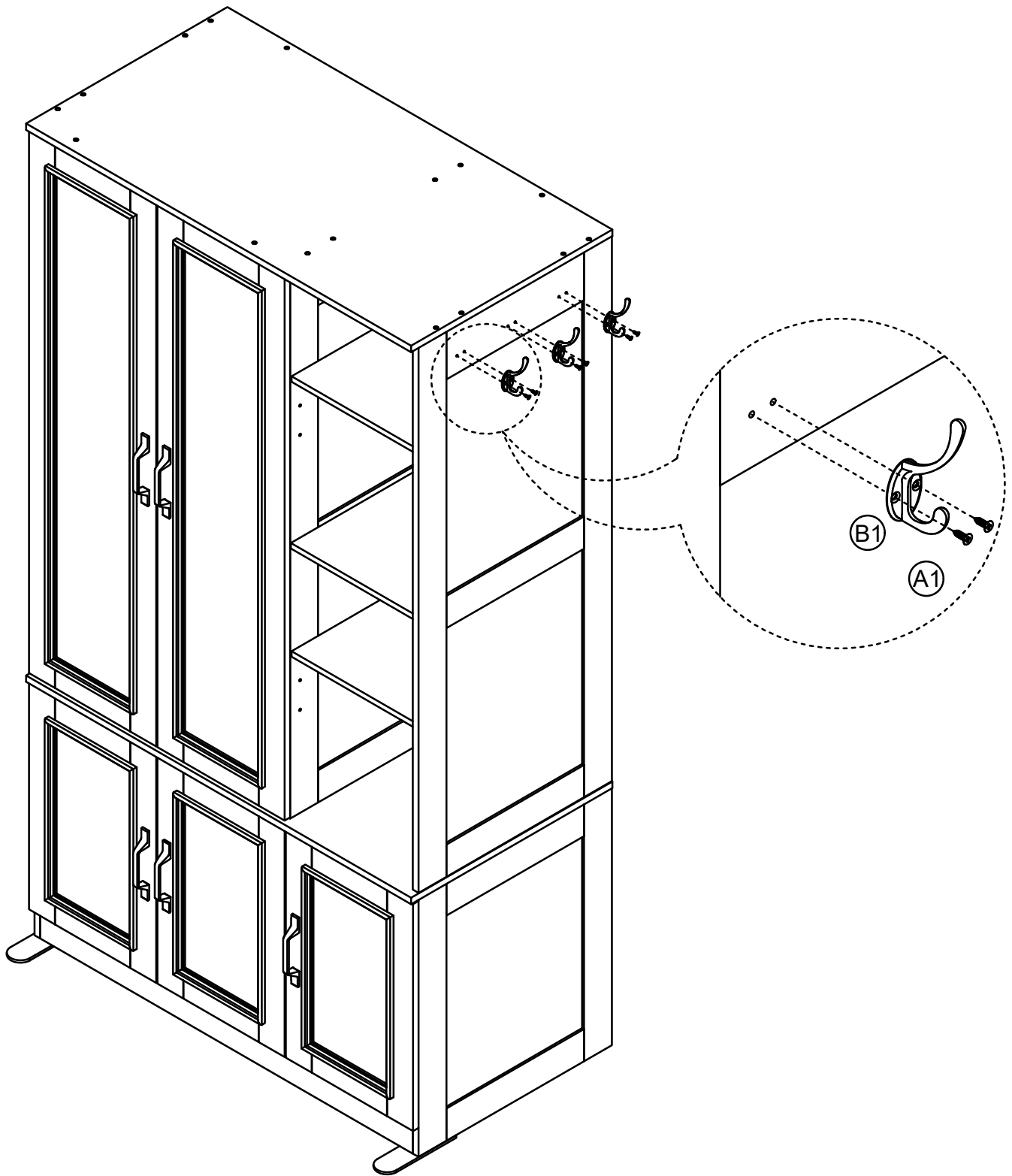
# INSTALLATION INSTRUCTION

## STEP 26



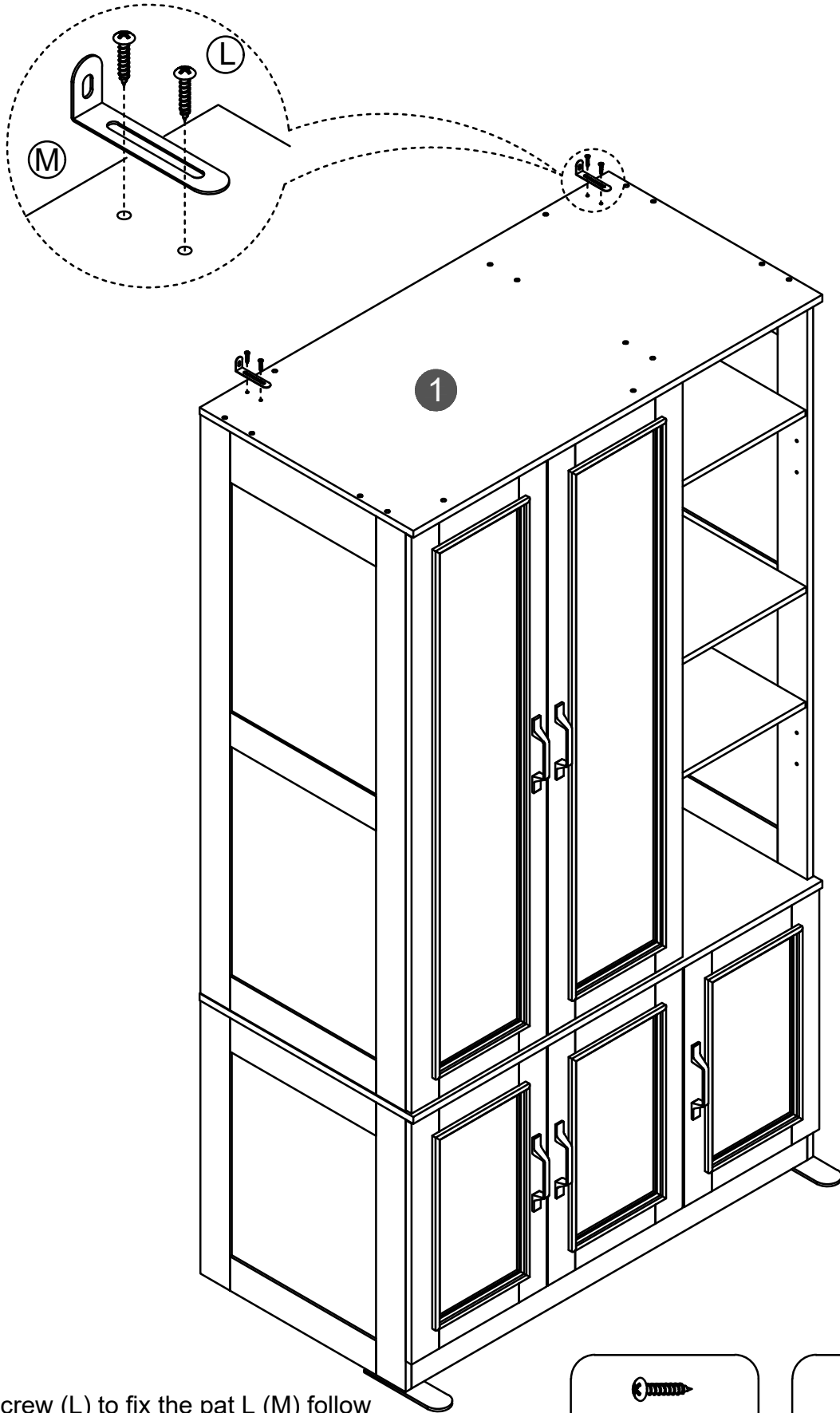
# INSTALLATION INSTRUCTION

## STEP 27

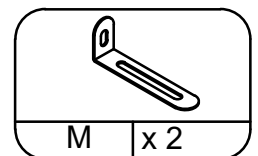
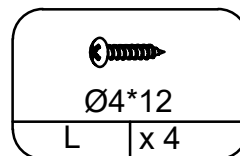


# INSTALLATION INSTRUCTION

## STEP 28



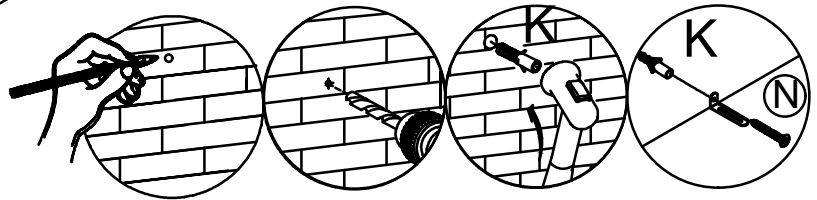
Use screw (L) to fix the pat L (M) follow position of holes on the peice 1



# INSTALLATION INSTRUCTION

## STEP 29

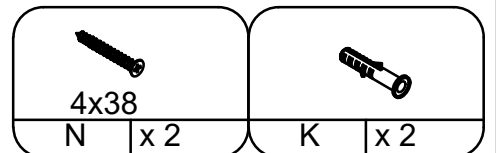
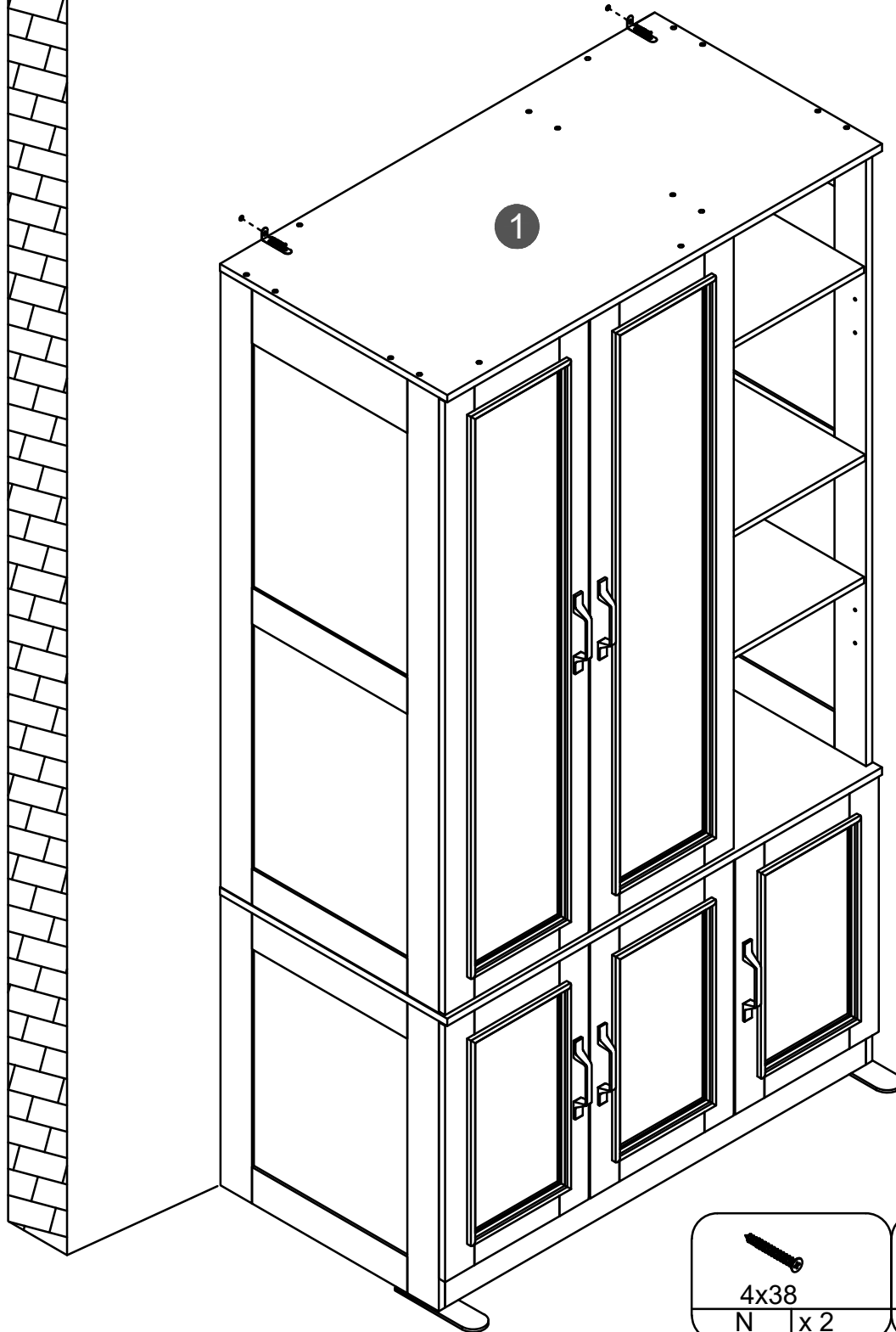
WALL



Step 1: Determine the location of the anti-overturning on the wall and then mark the position after confirming the product has been balanced.

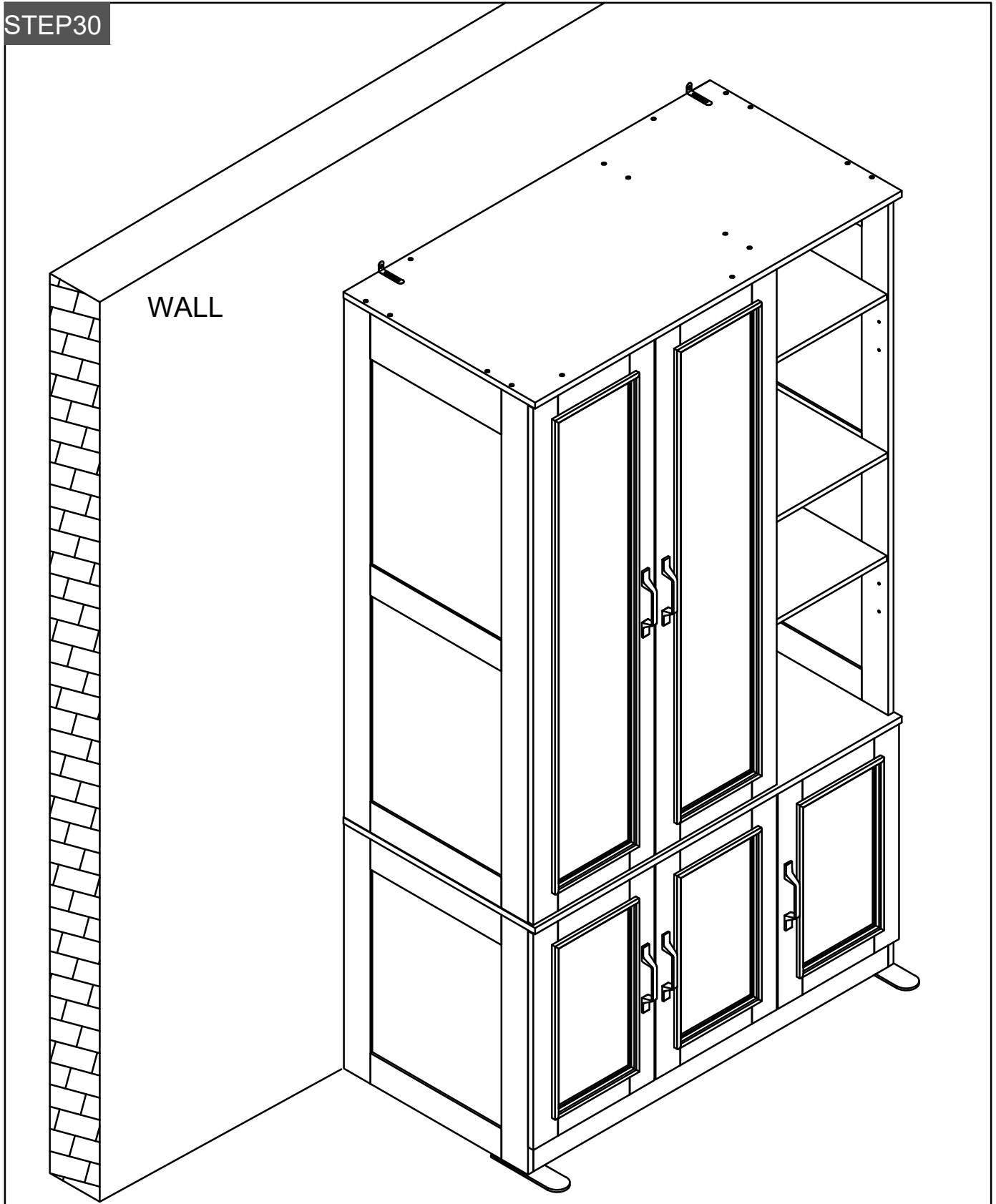
Step 2: Drill the hole and then fixed the tacke (K) on the wall

Step 3: Use screw (N) to fix the pat L (M) on the wall



# INSTALLATION INSTRUCTION

## STEP 30



Finish : The product is fixed, can not move.

Made in Vietnam

