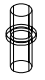

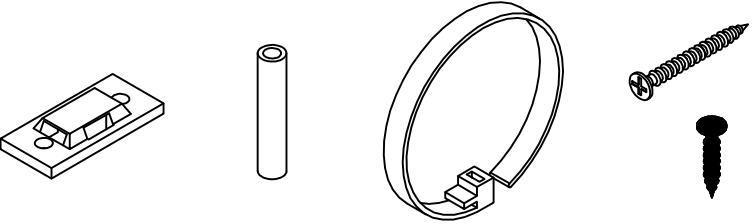
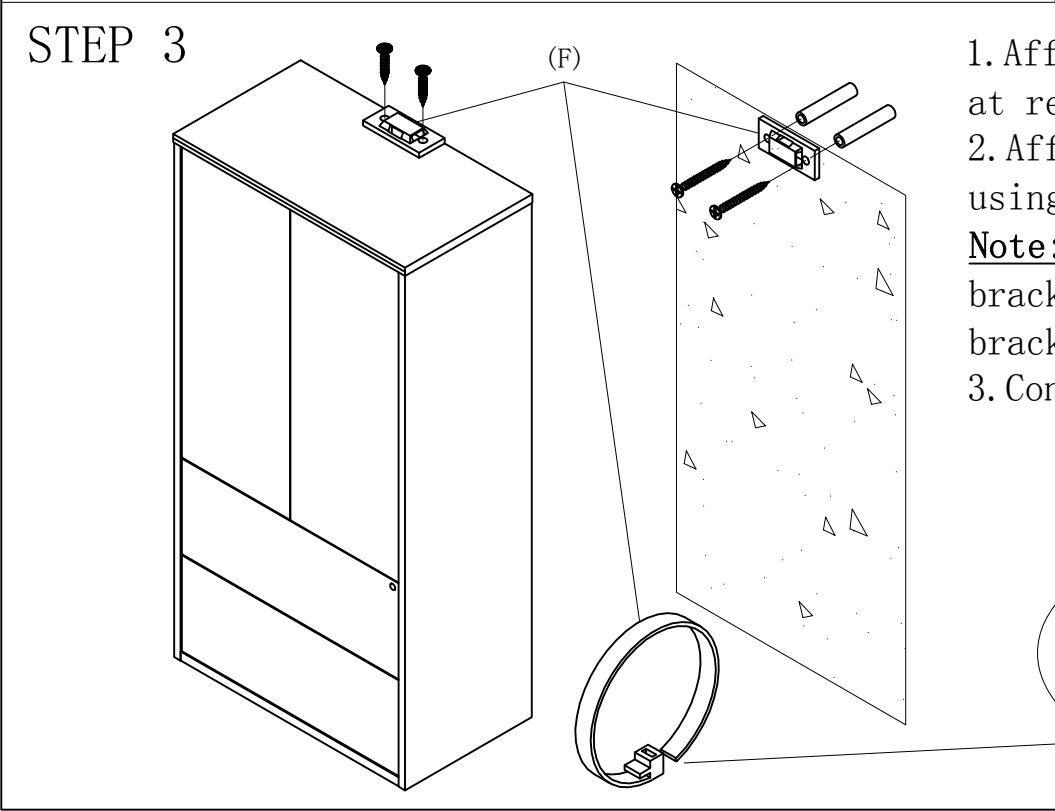
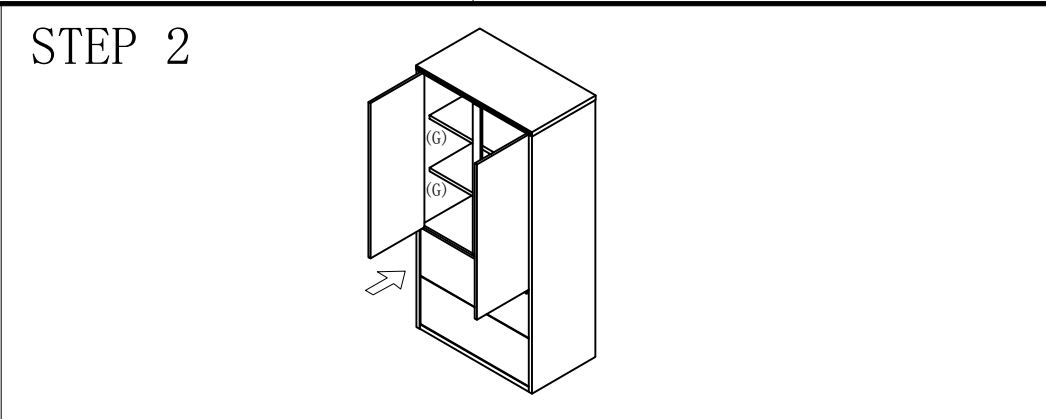
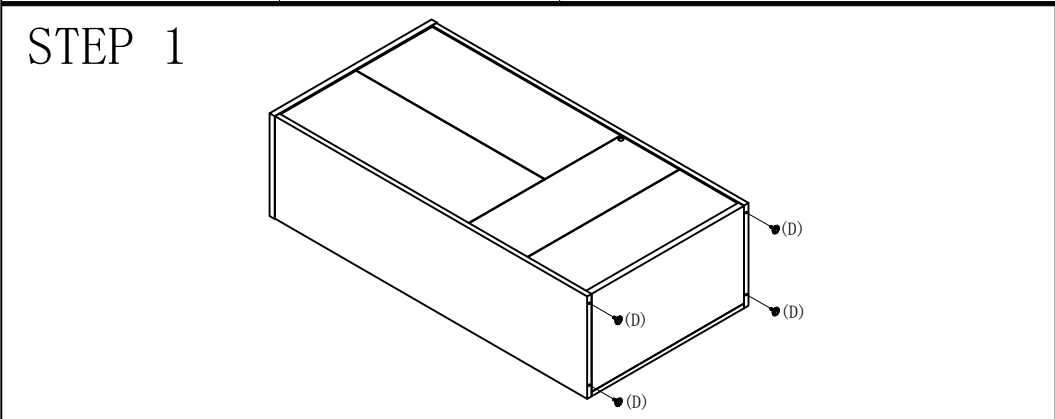


<p>(G) Shelf Pin</p>  <p>8PCS+1</p>	<p>(D) Leg leveller</p>  <p>4PCS</p>	<p>(F) Wall-attachment kits</p>  <p>1PC</p>
--	---	--



1. Affix 1st wall-attachment bracket to the top of Bookcase, at rear/center, using (2) **SHORT** screws.
2. Affix 2nd wall-attachment bracket to the wall, using (2) wall anchors and (2) **LONG** screws.


**Note:** Locate the 2nd bracket 1/4" higher than the 1st bracket (now located on the top of the bookcase). Align 2nd bracket left/right with the 1st bracket.

3. Connect wall-attachment brackets with plastic cable tie.

2 LATER DRAWERS W/2 DR STORAGE

**SON-52**

37"W × 20"D × 70"H



OSP  
furniture

877-OSP-WORX  
(677-9679)

*Always lay components on A clean, soft-cushioned surface during assembly.*

