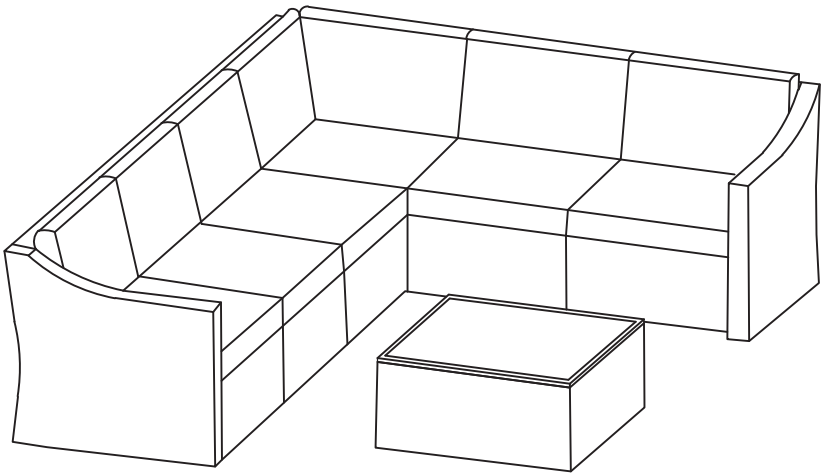


**7 PCS PATIO SECTIONAL SOFA
ASSEMBLY INSTRUCTION
GGOT0005RD/GGOT0006KH**



ATTENTION

- 1. Please check the part list carefully to make sure you've received all the parts.**
- 2. If there are any missing parts, please contact us with the # and quantity. We will send them to you ASAP.**
- 3. If there are any damaged parts, please contact us with clear pictures or video. We'll offer you the best solution after confirming it.**
- 4. This set comes with 3 boxes. Sometimes they may be delivered on different day, please wait 2-3 more days or contact us for help.**

CONTACT US

Place orders on erommy.com

**Please contact us at service@erommy.com
(Guaranteed response within 24 hours)**

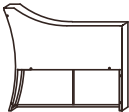
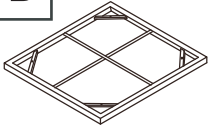

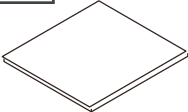
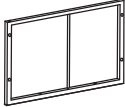



NOTE

- 1. If one or some screws are fully tightened during assembly, the others screws may not be aligned with screw holes. 50% tighten before fastening all screws. Allen wrench is recommended instead of an electric drill.**
- 2. If some screws are not aligned with holes during assembly, please loosen all the other screws to 50% and continue the assembly process.**
- 3. If the items is not stable, please loosen all the screws, adjust it on a flat ground and tighten all the screws.**
- 4. Please don't put the furniture outside without any sunshades in rainy, snowy days. Waterproof cover is recommended for keeping it last several years.**
- 5. The set is manually woven by hands. The PE rattan weave of each set is different. Each model is unique.**



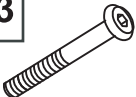




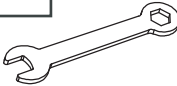

Assembly Instruction

Parts List

Box A


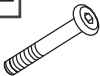




R		D		A		E		S	
	Left Arm Panel								
	1 pc		1 pc		1 pc		1 pc		2 pcs
Q		F	 630*610mm Seat Cushion	K	 630*610mm Seat Cushion				
	Right Arm Panel								
	1 pc		1 pc		2 pc				

HARDWARE LIST

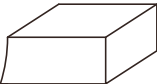





#1		#2		#3		#4		#5	
	M6x35mm		M6x50mm		M6x95mm		M6mm		M6
	18 pcs		39 pcs		3 pcs		39 pcs		99 pcs
#6		#7		#8		#9			
	M6mm		M6mm						
	28 pcs		2 pcs		1 pc		10 pcs		

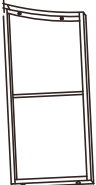
Assembly Instruction

EXTRA HARDWARE LIST

#1		#2		#3		#4		#5		#6	
M6x35mm	M6x50mm	M6x95mm	M6mm	M6	M6mm	2 pcs	3 pcs	5 pcs	2 pcs		

Parts List Box B

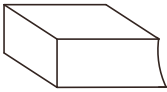
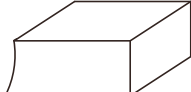
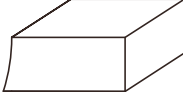
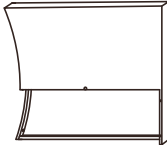



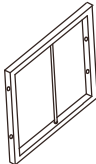

I		J		K		L		O		P	
Middle sofa seat	630*610mm Seat Cushion	Back Cushion	Long Back Cushion	Short Back Cushion	3 pcs	3 pcs	2 pcs	1 pc	1 pc	1 pc	

U	
3 pcs	

Assembly Instruction

Parts List

Box C

<p>G</p>  <p>Right armrest sofa seat</p>	<p>H</p>  <p>Left armrest sofa seat</p>	<p>B</p>  <p>Corner Block</p>	<p>C</p> 	<p>M</p> 
1 pc	1 pc	1 pc	1 pc	1 pc
<p>N</p> 	<p>L</p>  <p>Back Cushion</p>	<p>T</p> 	<p>K</p>  <p>630*610mm Seat Cushion</p>	
1 pc	4 pcs	2 pcs	1 pc	

Assembly Instruction

Corner sofa assembly

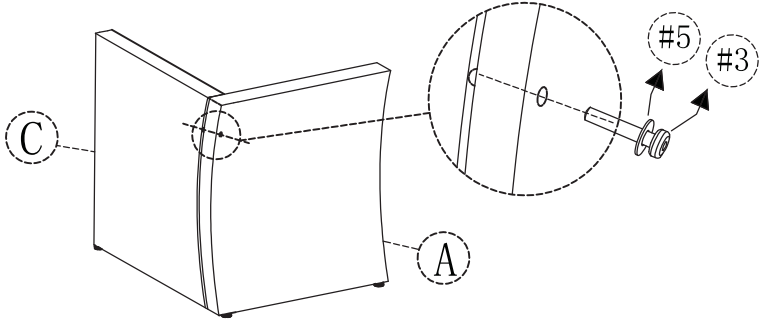
Step 1

A*1

C*1

#3*1

#5*1



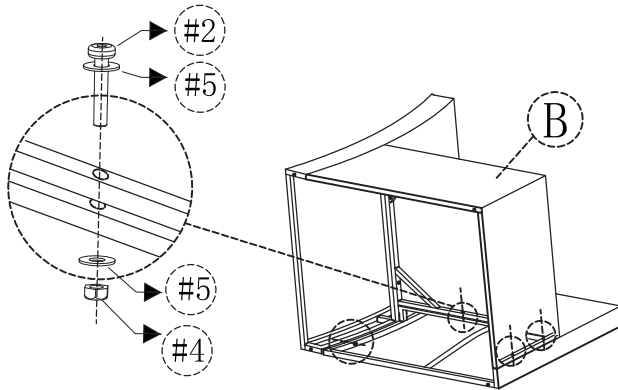
Step 2

B*1

#2*4

#4*4

#5*8

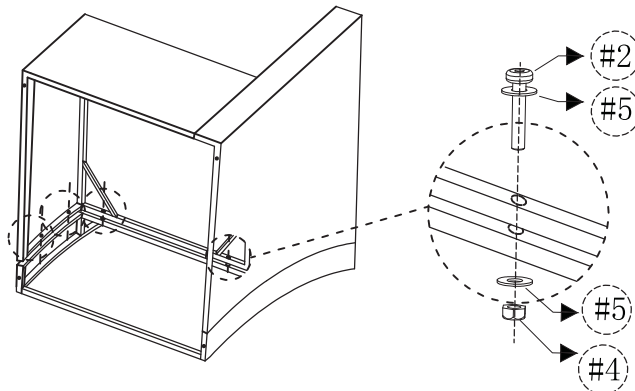


Step 3

#2*4

#4*4

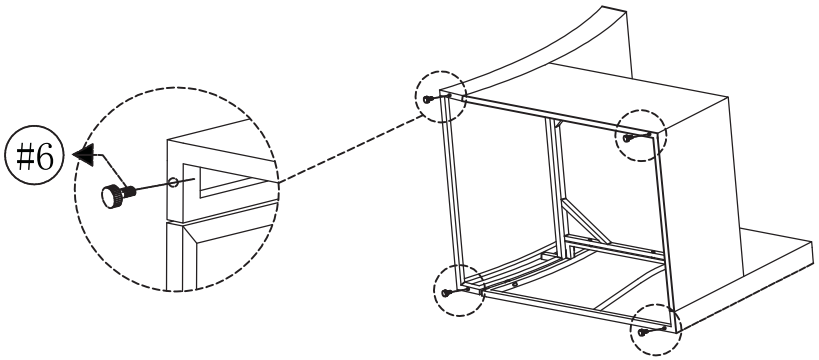
#5*8



Assembly Instruction

Step 4

#6*4

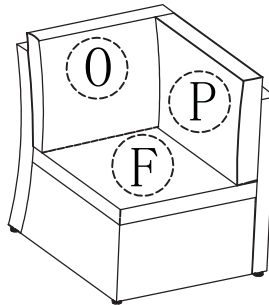


Step 5

F*1

O*1

P*1



Right armchair assembly

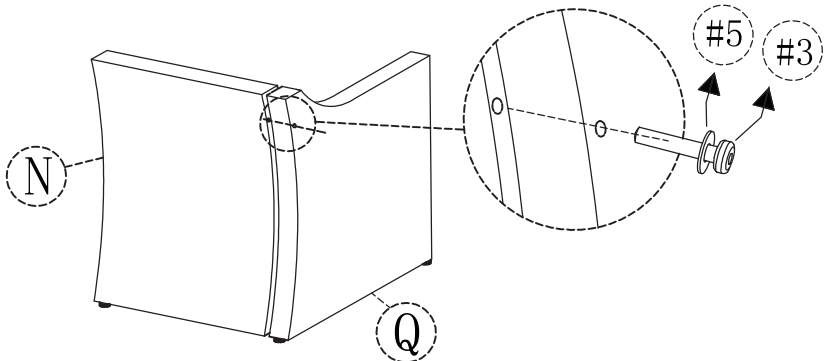
Step 1

N*1

Q*1

#3*1

#5*1



Assembly Instruction

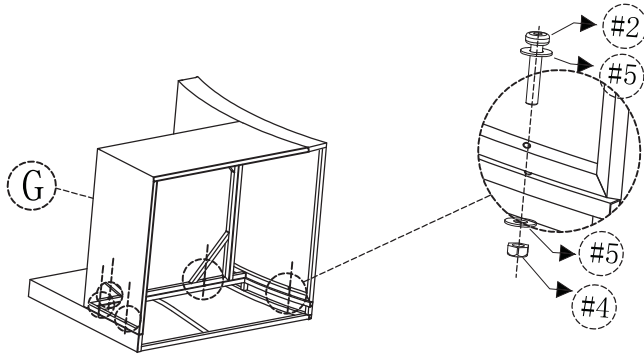
Step 2

G*1

#2*5

#4*5

#5*10

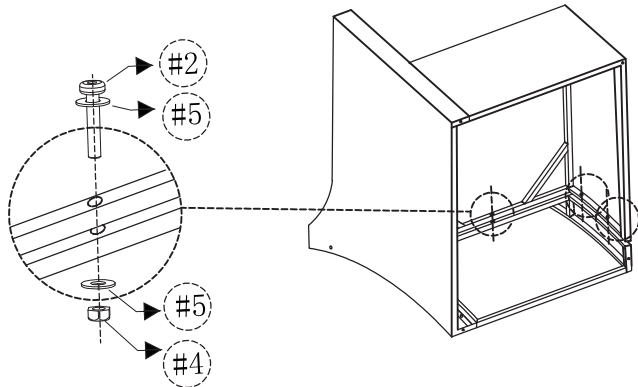


Step 3

#2*3

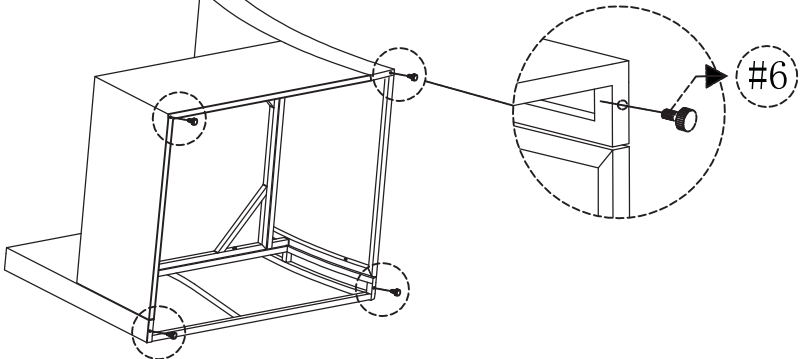
#4*3

#5*6



Step 4

#6*4

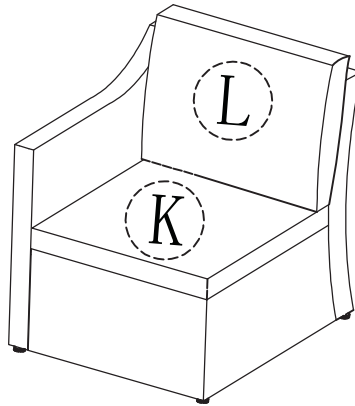


Assembly Instruction

Step 5

K*1

L*1



Assembly of left armchair sofa

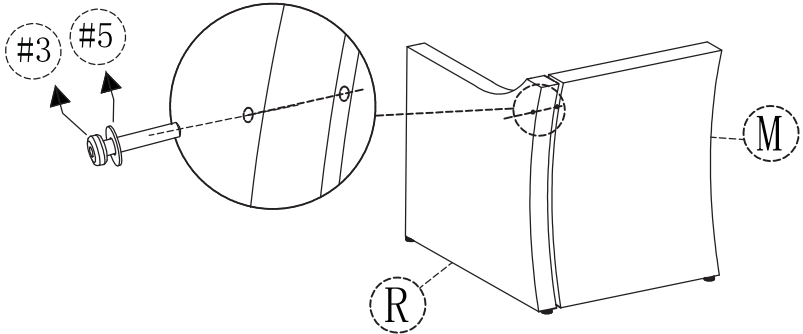
Step 1

M*1

R*1

#3*1

#5*1



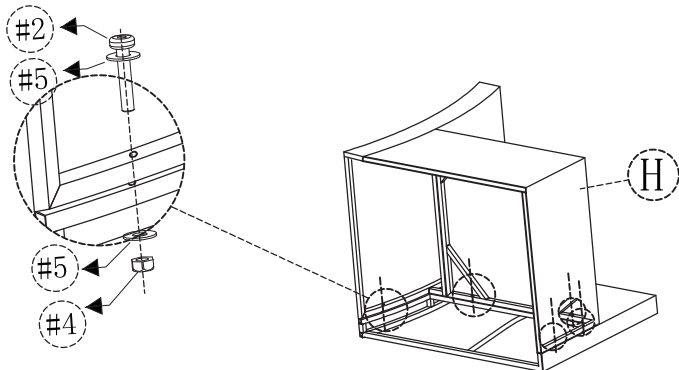
Step 2

H*1

#2*5

#4*5

#5*10



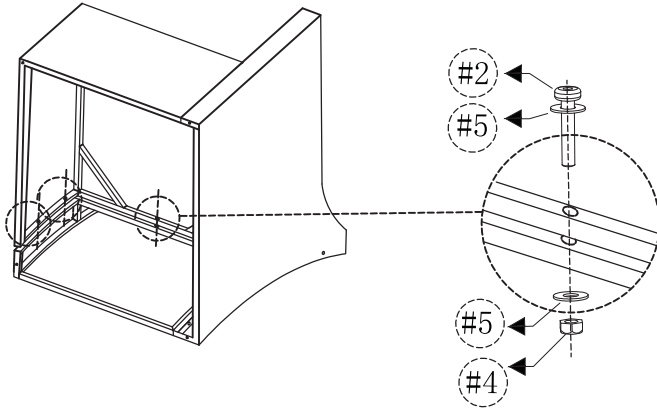
Assembly Instruction

Step 3

#2*3

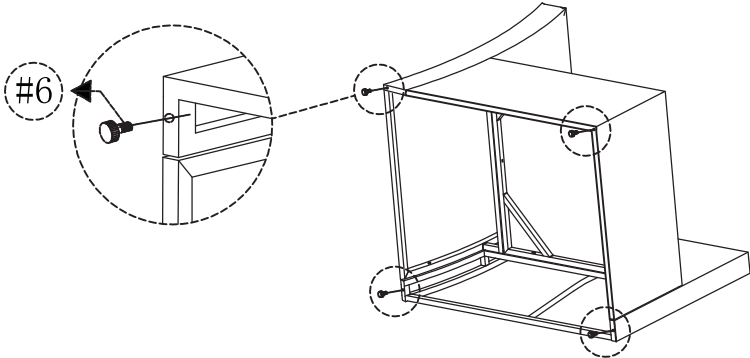
#4*3

#5*6



Step 4

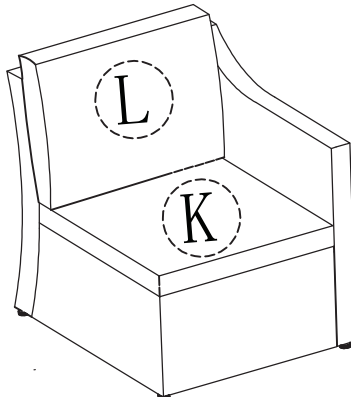
#6*4



Step 5

K*1

L*1



Assembly Instruction

Middle sofa assembly

Step 1

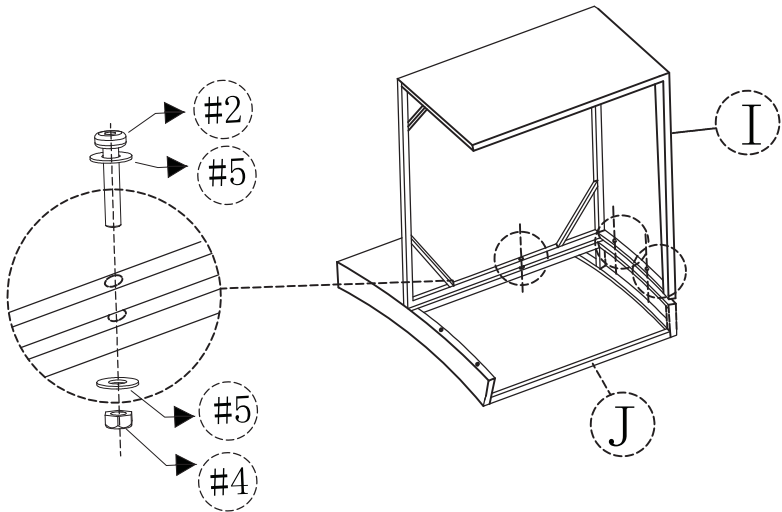
I*1

J*1

#2*3

#4*3

#5*6



Step 2

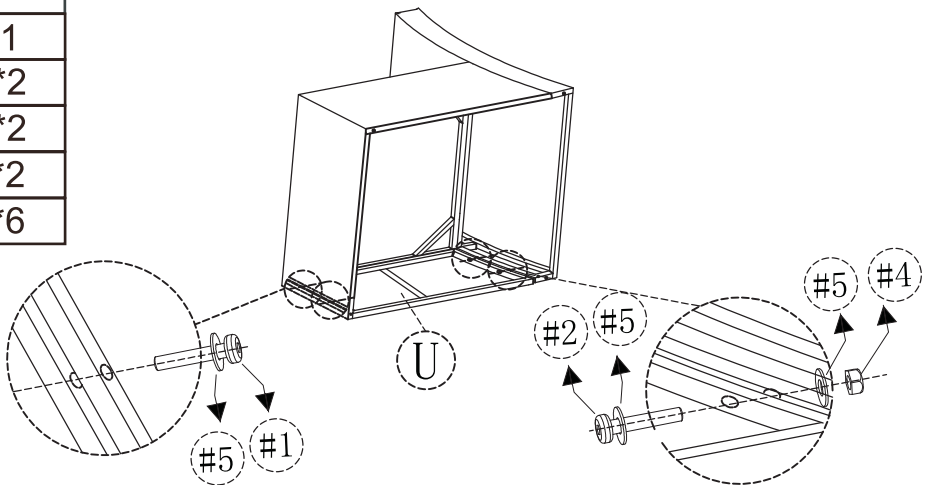
U*1

#1*2

#2*2

#4*2

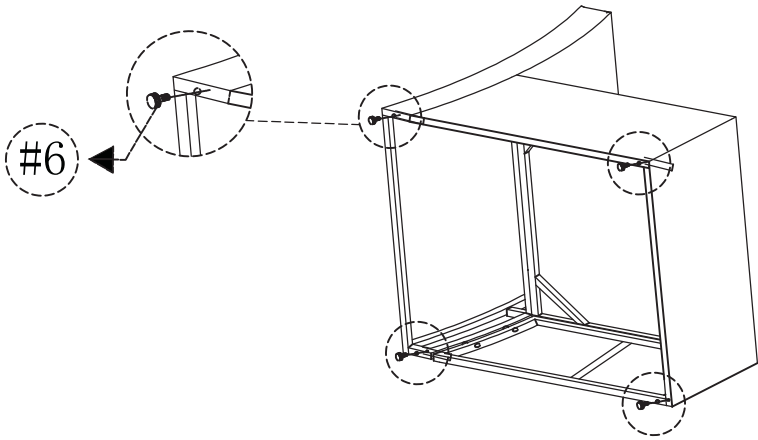
#5*6



Assembly Instruction

Step 3

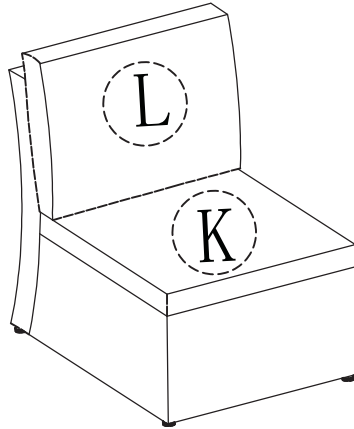
#6*4



Step 4

K*1

L*1



Coffee table assembly

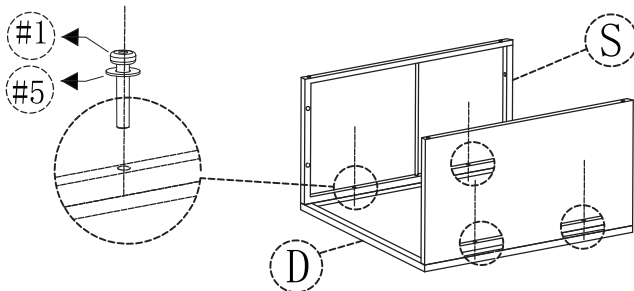
Step 1

D*1

S*2

#1*4

#5*4



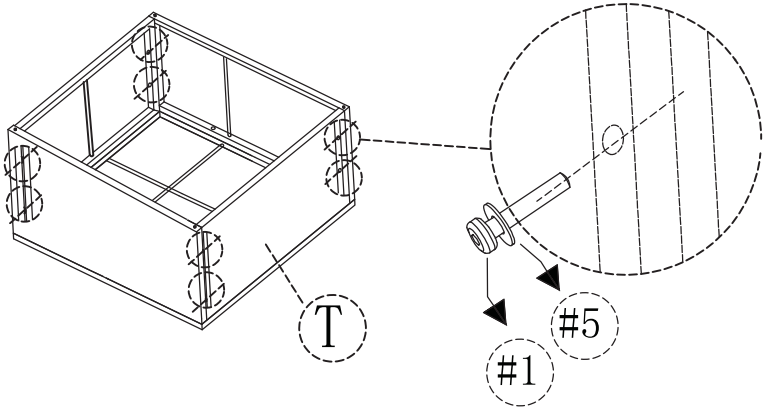
Assembly Instruction

Step 2

T*2

#1*8

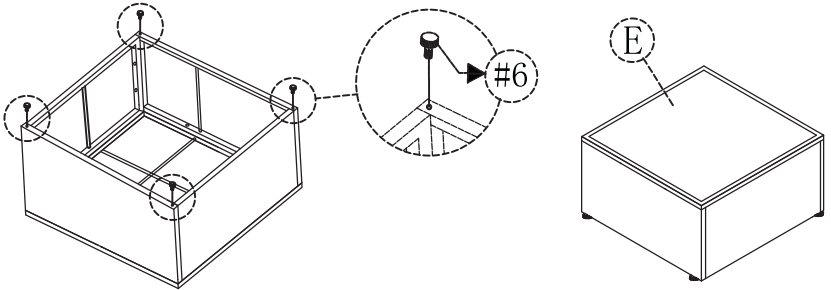
#5*8



Step 3

E*1

#6*4



Clips assembly

Step 1

#9*10

