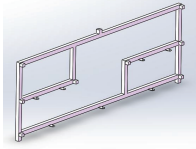
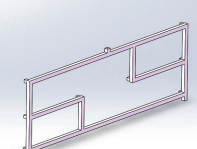

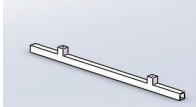
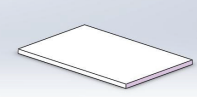
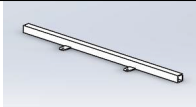
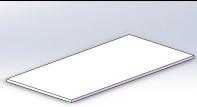

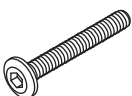
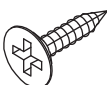
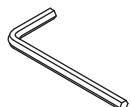


ASSEMBLY INSTRUCTIONS

Components List

Item	Image	Q	Item	Image	Q	Item	Image	Q
①		1	④		1	⑦		1
②		2	⑤		2			
③		6	⑥		1			

Hardware List *(omit this part if no hardware included nor needed)*

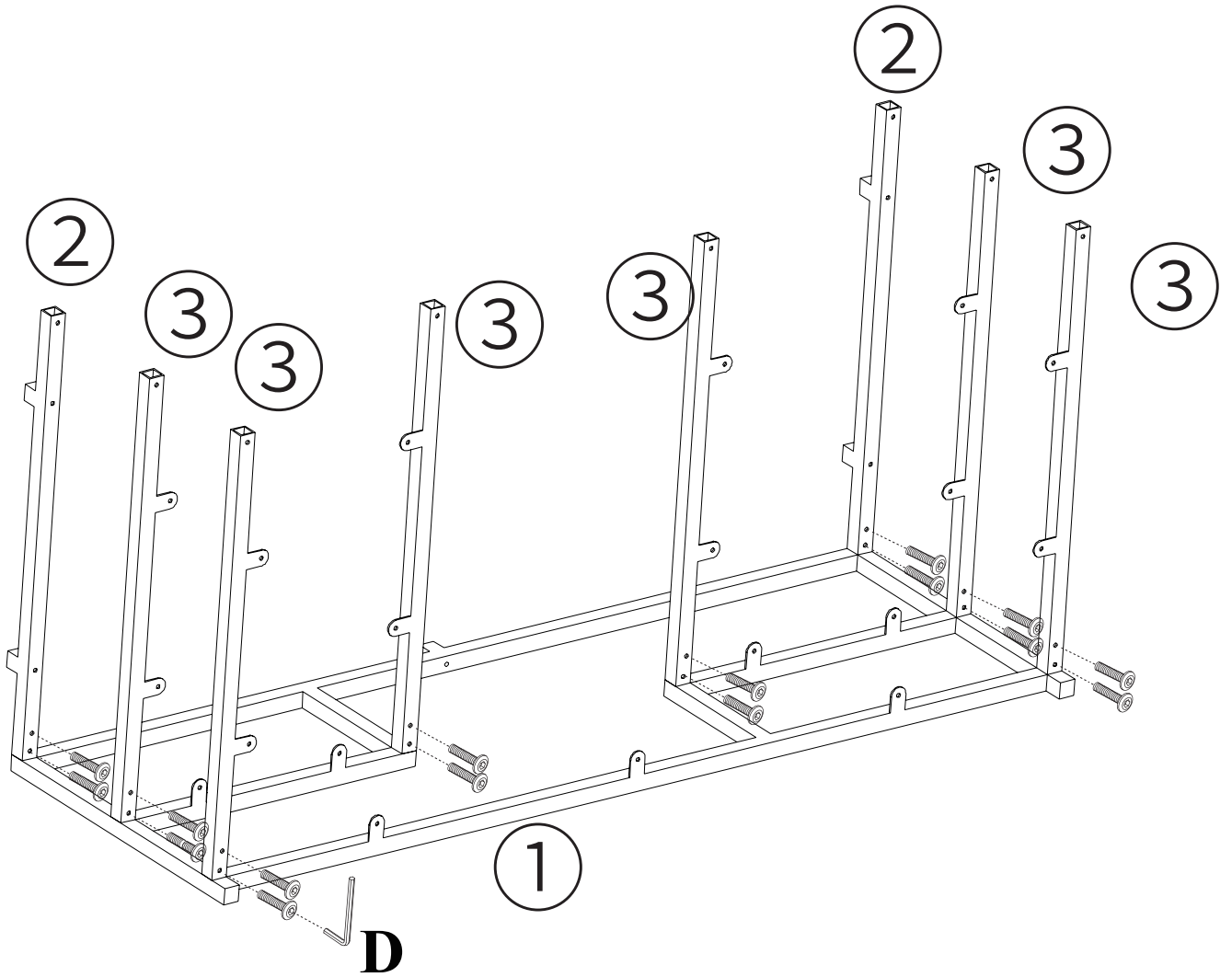
Item	Image	Q	Item	Image	Q	Item	Image	Q
A	 Bolt 6*10mm	32	B	 Bolt 6*45mm	6	C	 Screw 3*14mm	26
D	 Allen Key	1						

Tools Needed *(omit this part if no tools included nor needed)*

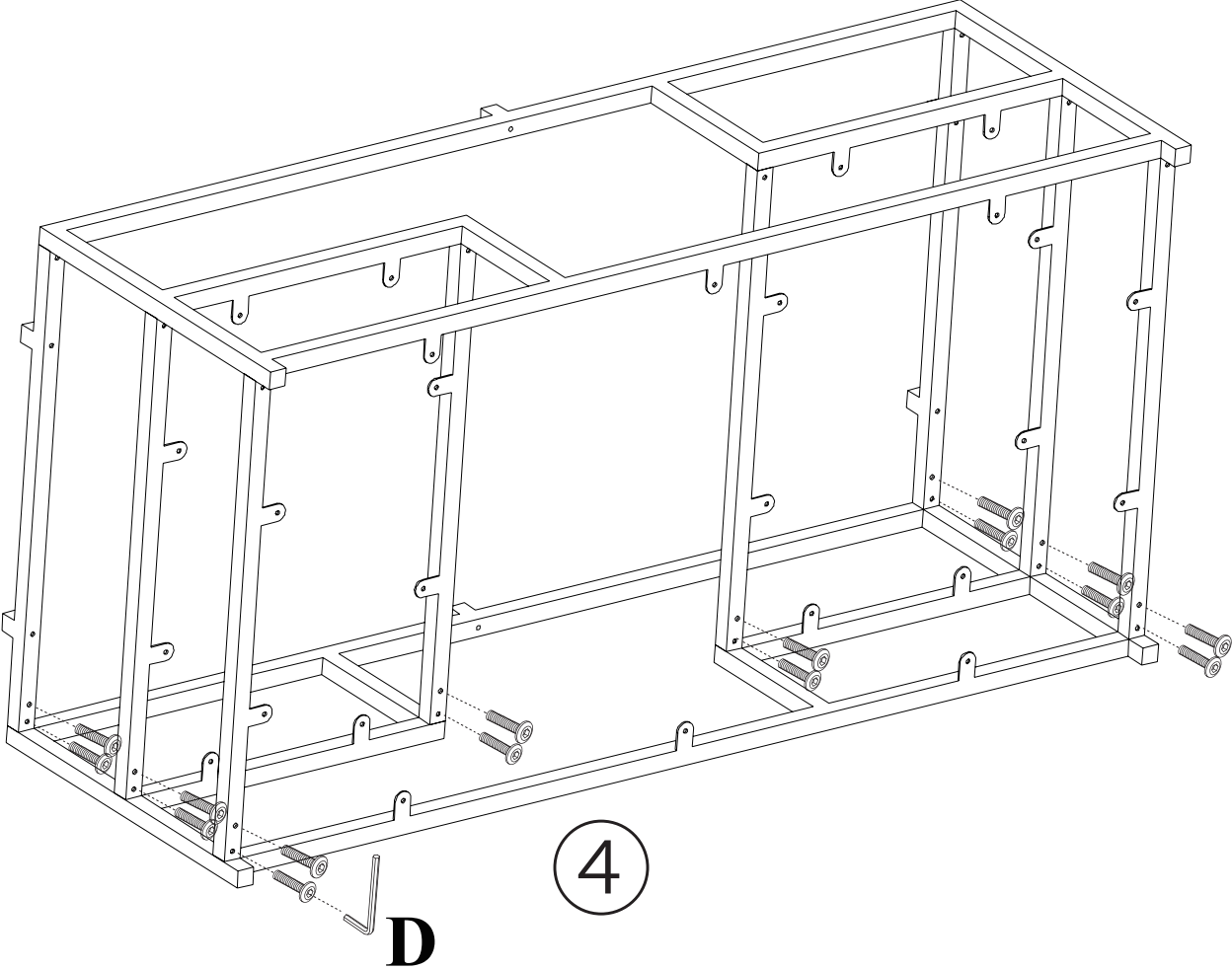
		Q
D		1

ASSEMBLY STEPS

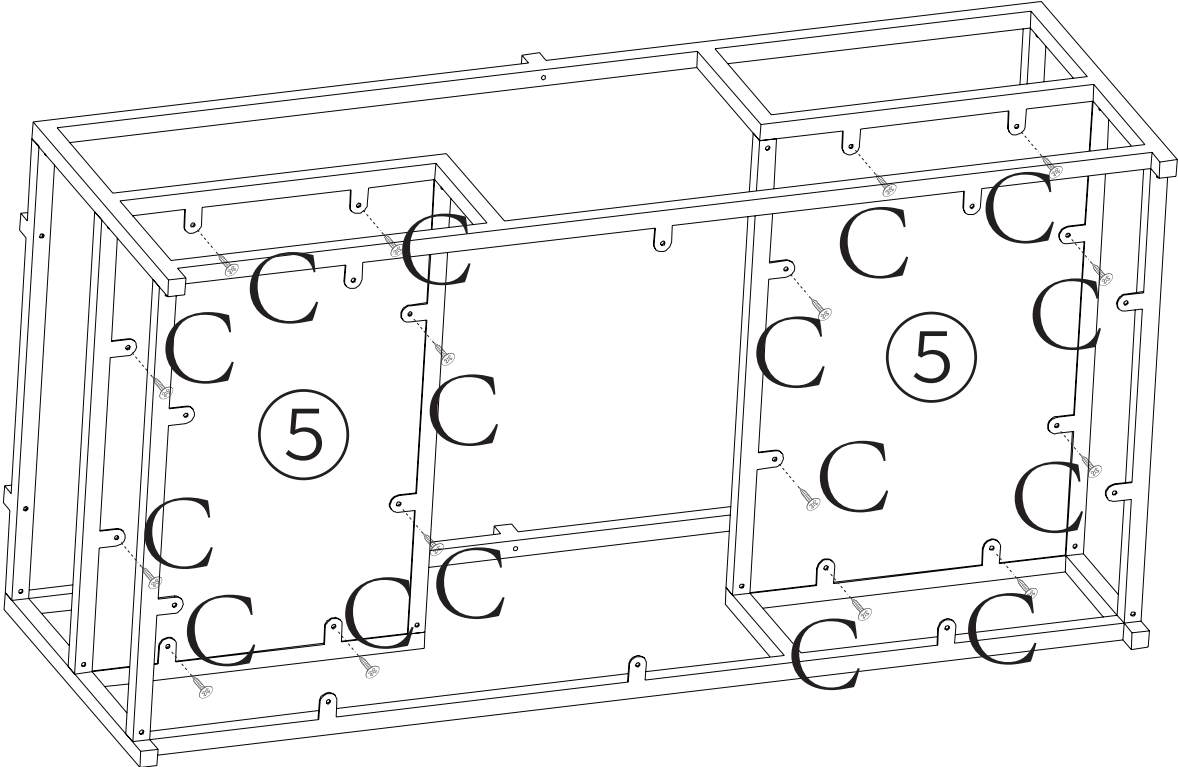
Step 1 (Attach Top Connect Bar (3) and Connect Bar (2) to Left Frame (1) by using Bolt (A).with(D).)



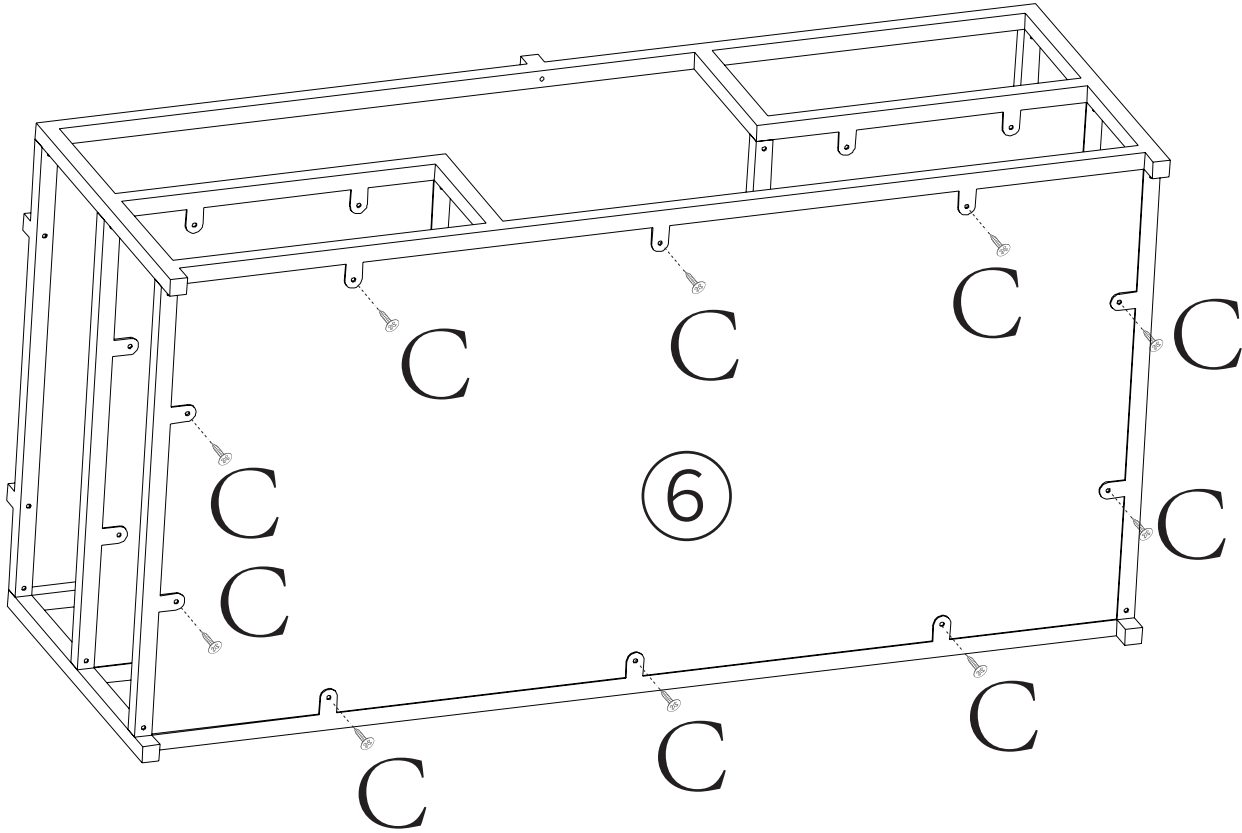
Step 2 (Attach Right Frame (4) to Connect Bar (2 & 3) by using Bolt (A).with(D).)



Step 3 (*Inset Middle Shelf (5) and affix it with Screw (C).*)



Step 4 (*Inset Bottom Shelf (6) and affix it with Screw (C).*)



Step 5 (Rotate the frame up-right. Attach Top Panel (7) and screw in Bolt (B).with(D)The assembly of the End Table are complete.)

