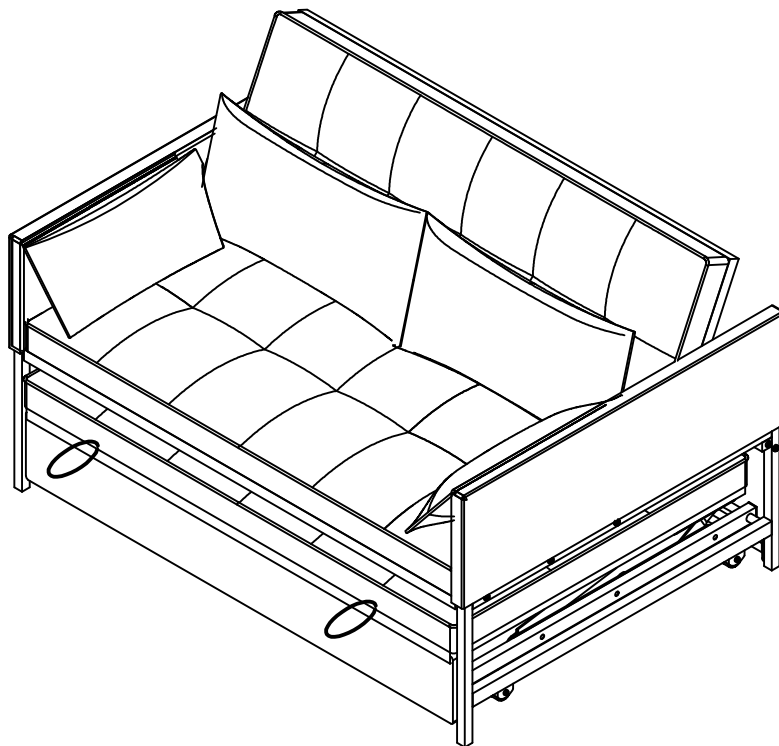


# CONVERTIBLE SLEEPER SOFA BED

## ASSEMBLY INSTRUCTIONS

RYS139

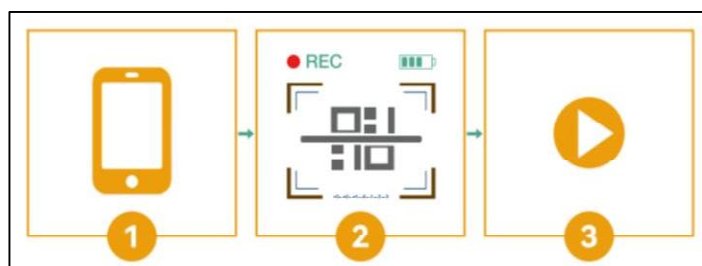
---



---

### INSTALLATION VIDEO

Please scan the QR code with cell phone camera for installation Video.  
If the QR code is broken, please contract us to get installation video.



## Thanks for your purchasing.

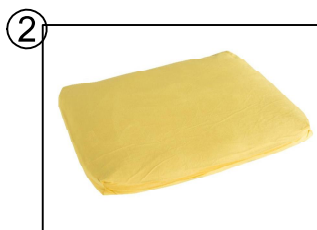
- Please read the instruction completely before assembly.
- Please do not throw away any of the packaging or the instruction until you have all the components and when the furniture is fully assembled.
- Considering the size and weight of the sofa, we recommend two adults to assemble the sofa, on a carpeted or padded area.
- Keep all components and packaging out of reach of children or animals to avoid risk of choking or suffocation.

### PACKAGE

Please read the following instructions carefully for the best experience. Cushions were vacuum packed and sealed for shipping, In order to boost the rebound process, please follow the steps below.



Open the vacuum bag carefully.



Initial look.



Open the zip, press and pat to allow adequate air to enter the cushions.



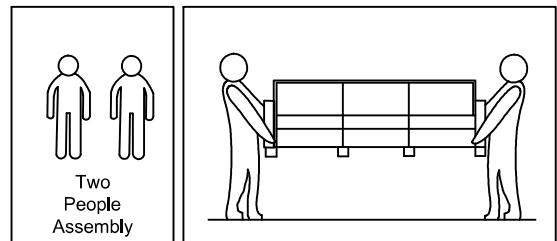
Tidy the cover. Ironing the cover if necessary. Place cushions in place that is dry and ventilated.



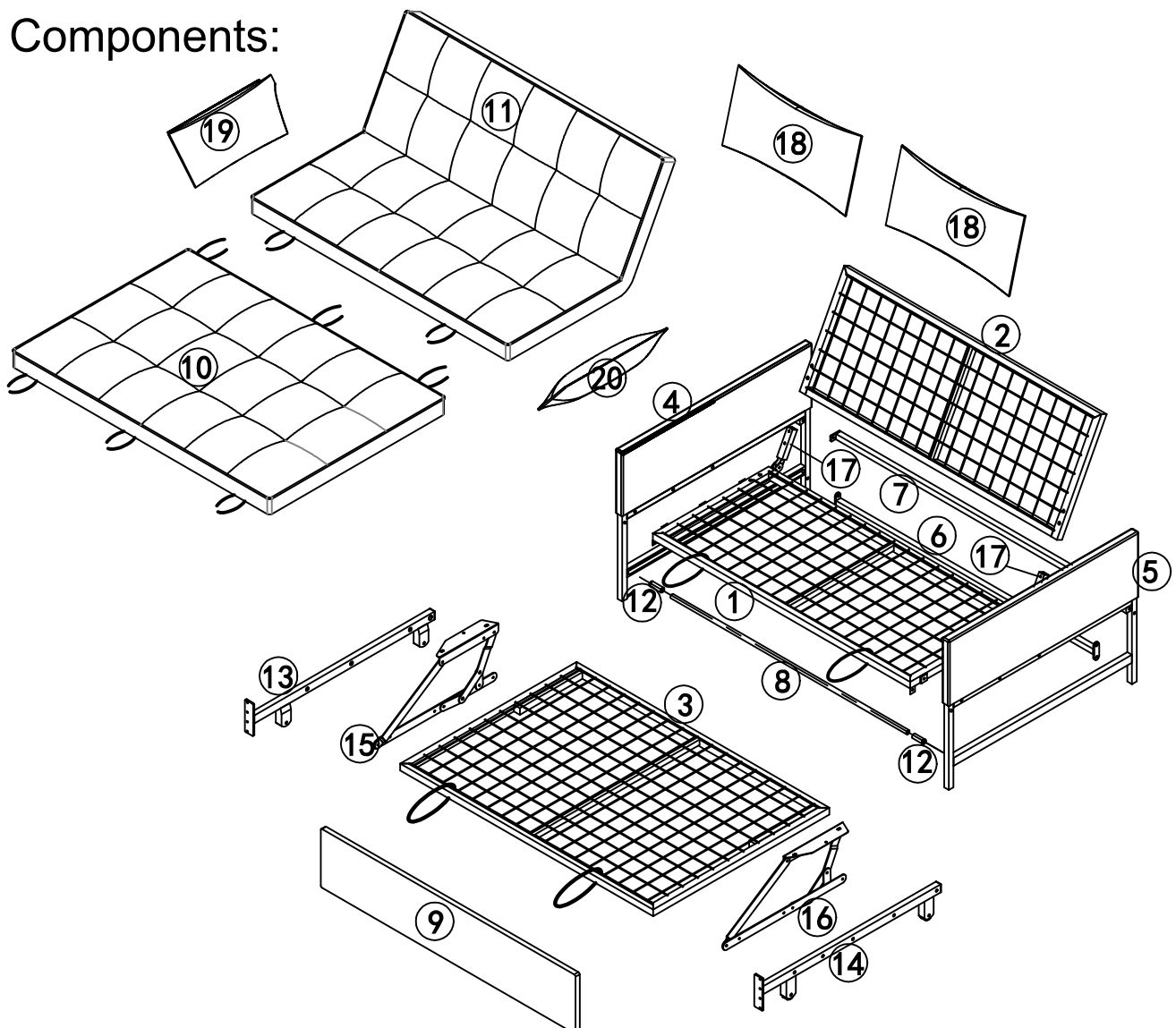
Repeat step 3 until the sponge is fully expanded, and zip the cover. Wait to rebound after 72 hours at least.

**CAUTION:**

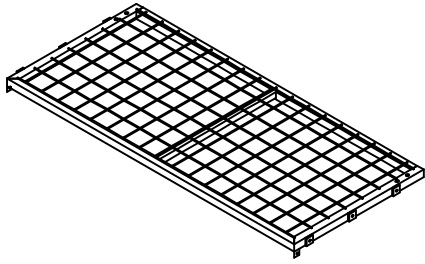
- Please do not open the compress packaging until your sofa frame is completely assembled.
- Compress cushions or pillows need to fully fluffed within 72 hours for your perfect use.
- Please keep children away from plastic bag or any small pieces of stuff
- After assembly is completed, don't forget to pat the back cushions and seat cushions, make them recovering better. And wait 72 hours for fully rebound
- Cushions should be regularly maintained for perfect use.
- 2 people to instal is recommend
- 2 people to lift the sofa if you want to move it, do not push or pull directly



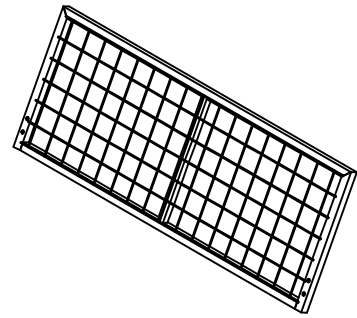
**Components:**



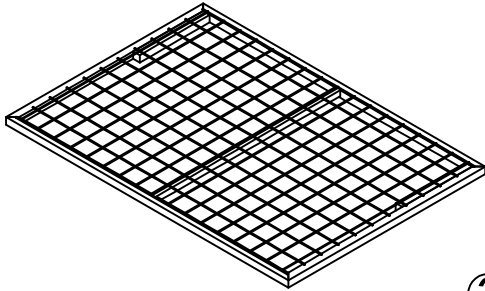
**PARTS LIST:**



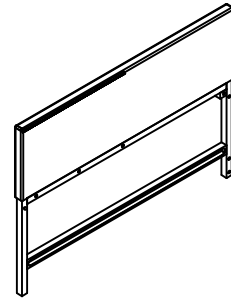
① x1



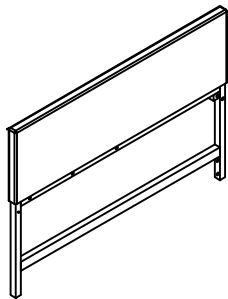
② x1



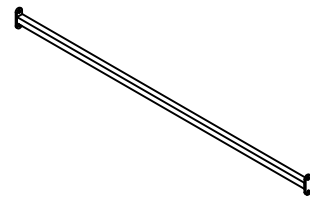
③ x1



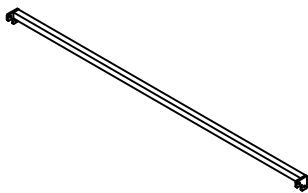
④ x1



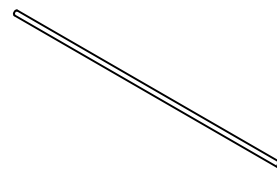
⑤ x1



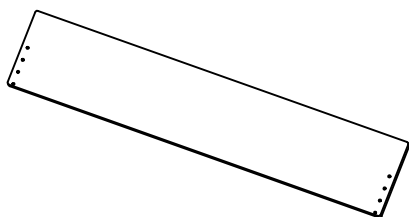
⑥ x1



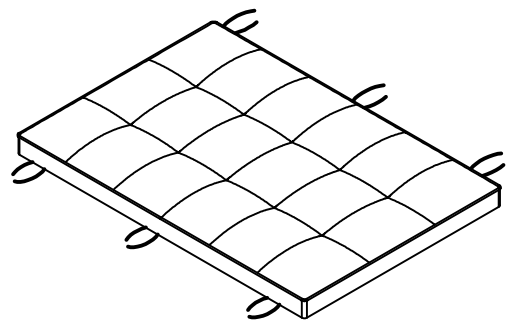
⑦ x1



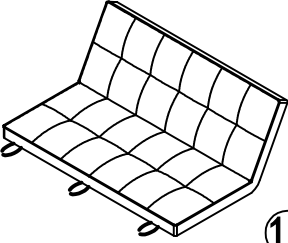

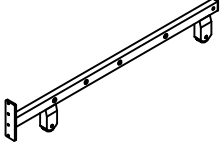
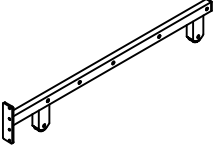
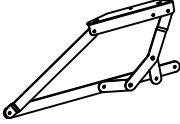
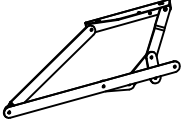

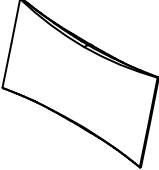
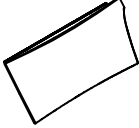

⑧ x1









⑨ x1



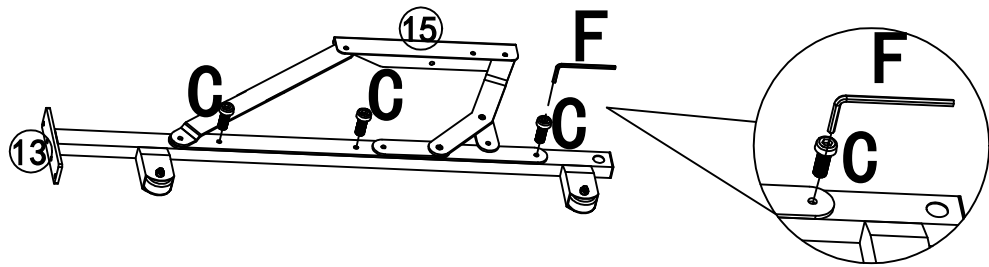
⑩ x1

 <p>①① x1</p>	 <p>①② x2</p>	 <p>①③ x1</p>
 <p>①④ x1</p>	 <p>Left ①⑤ x1</p>	 <p>Right ①⑥ x1</p>
 <p>①⑦ x2</p>	 <p>①⑧ x2</p>	 <p>①⑨ x1</p>
 <p>②① x1</p>		

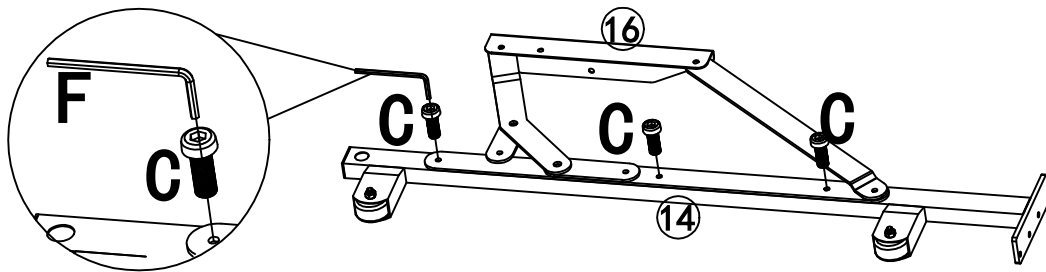
**HARDWARE LIST:**

<p><b>A</b></p>  <p>M8*45 8PCS</p>	<p><b>B</b></p>  <p>M6*25 8PCS</p>	<p><b>C</b></p>  <p>M6*15 32PCS</p>	
<p><b>D</b></p>  <p>M8*25 2PCS</p>	<p><b>E</b></p>  <p>S5 1PCS</p>	<p><b>F</b></p>  <p>S4 1PCS</p>	

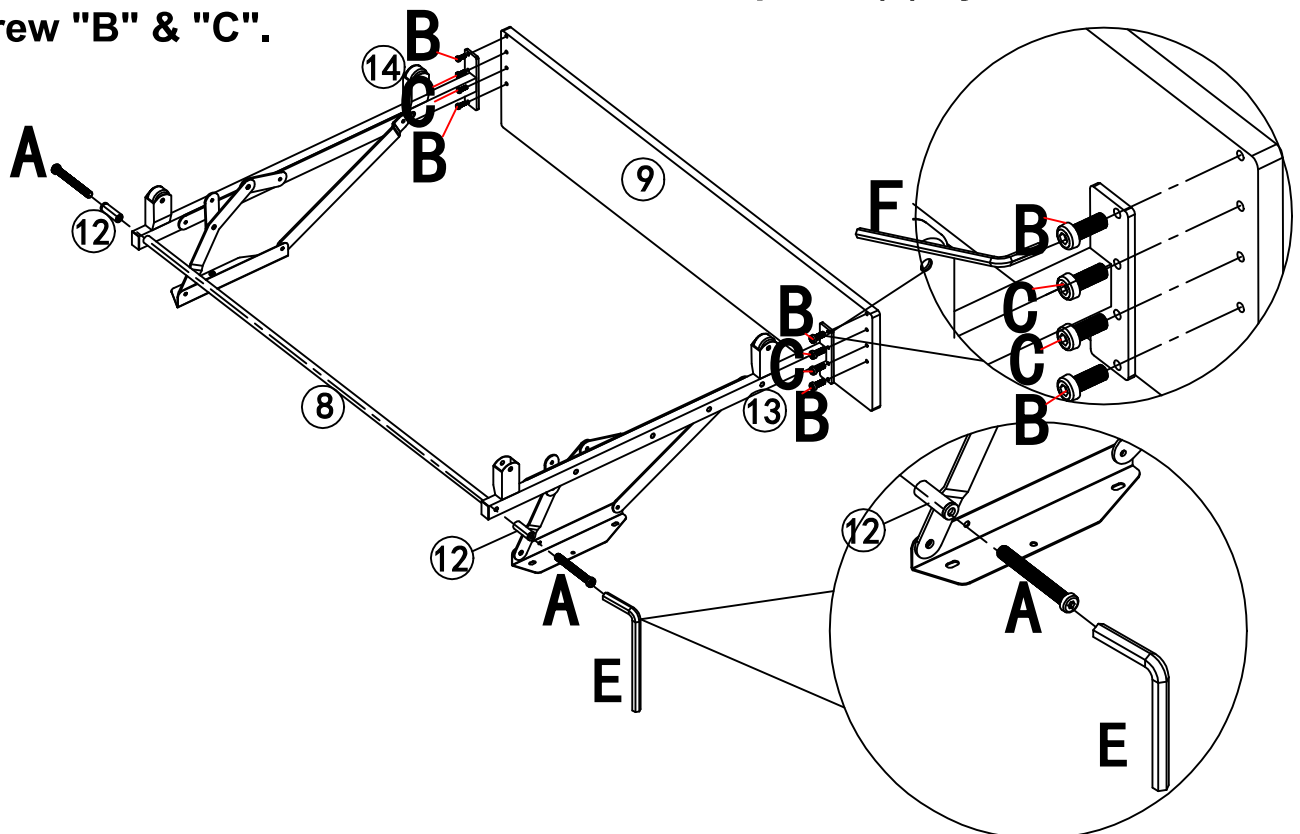
**Step 1:** Install the hinge (15) to side rail (13) by screw "C".



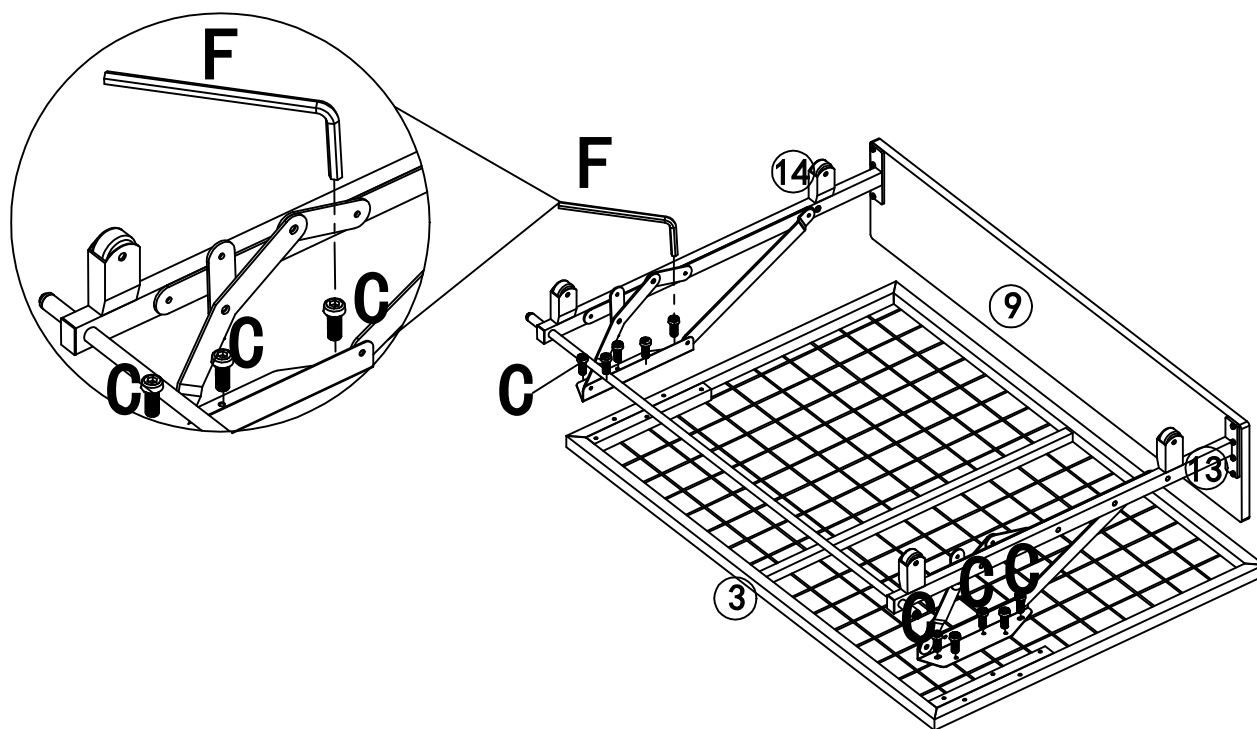
**Step 2:** Install the hinge (16) to side rail (14) by screw "C".



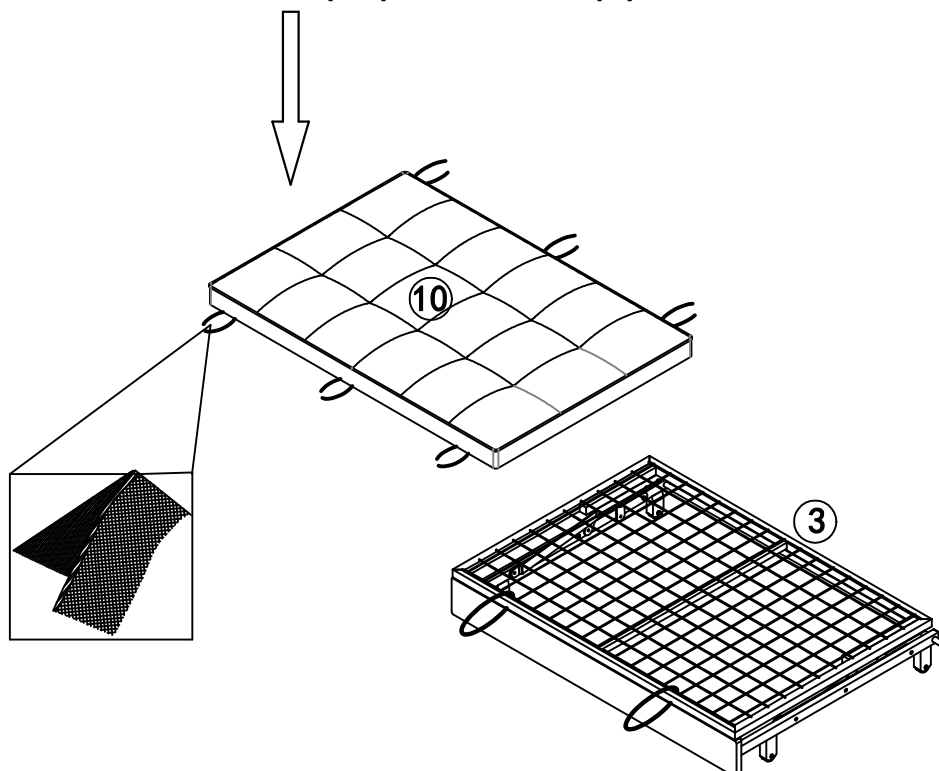
**Step 3:** Put the round tube (8) between rails (13) & (14), Screw A through short tube (12) and connect to tube (8), tighten with wrench. Then install the side rails to front panel (9) by screw "B" & "C".



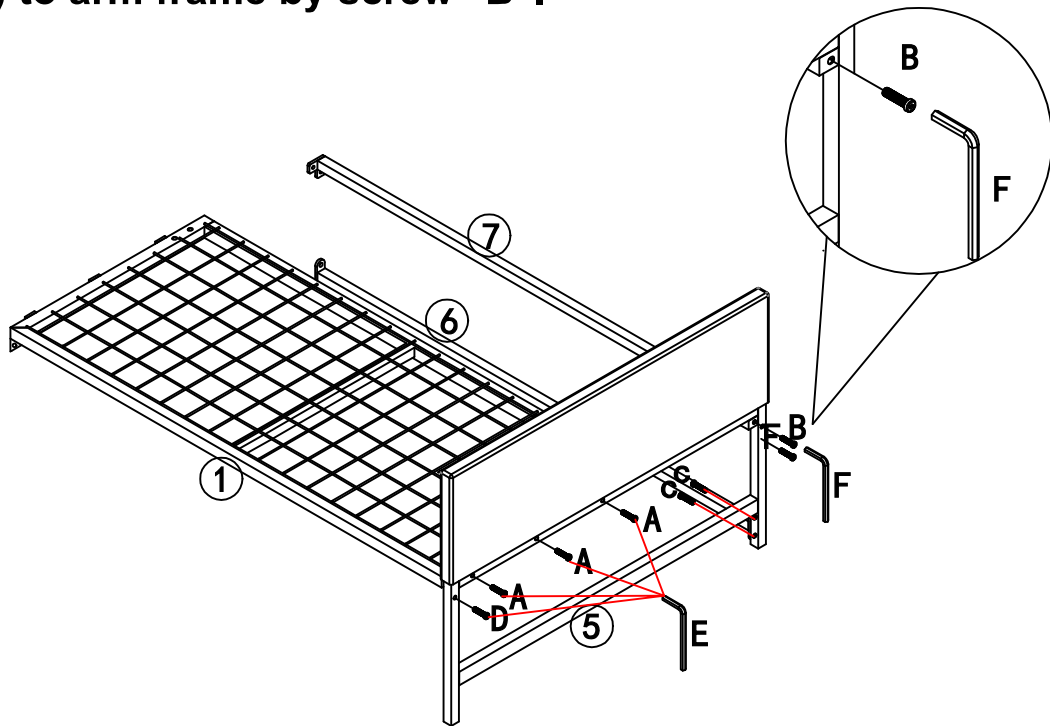
**Step 4:** Install another side of hinges to the metal frame (3) by screw "C", 5 screws on each side and tighten with wrench.



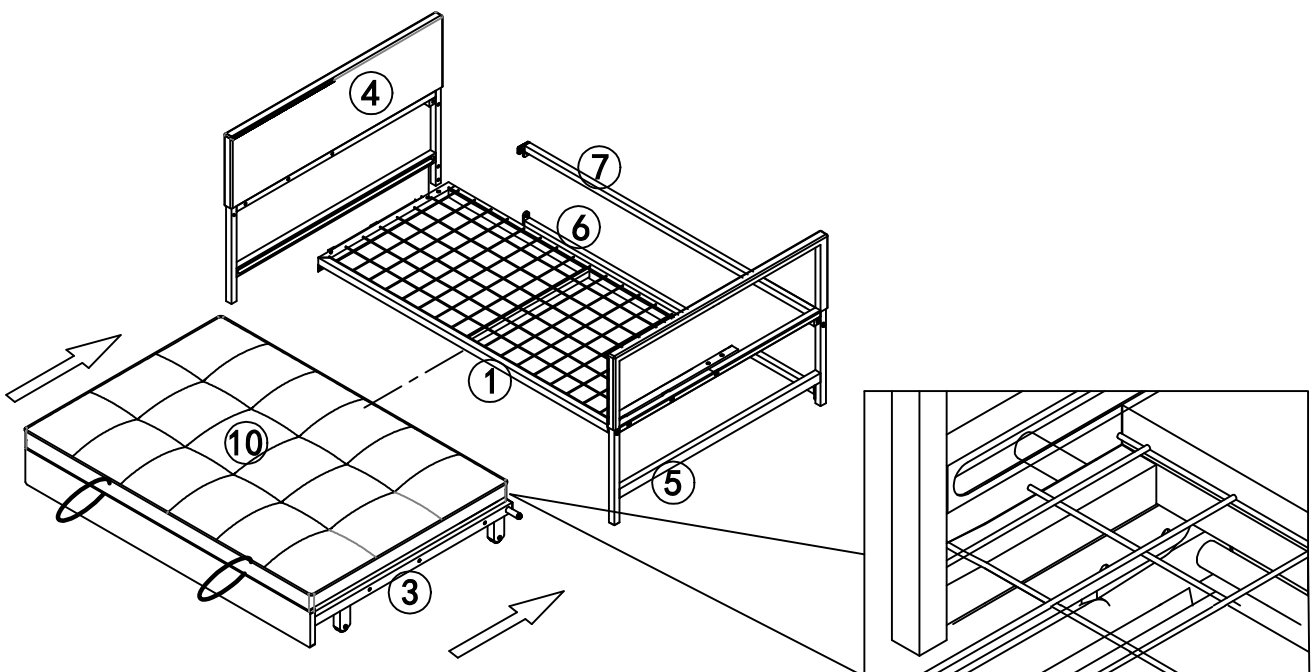
**Step 5:** Put the seat cushion (10) on frame (3) flat, and stick with Hook & Loop.



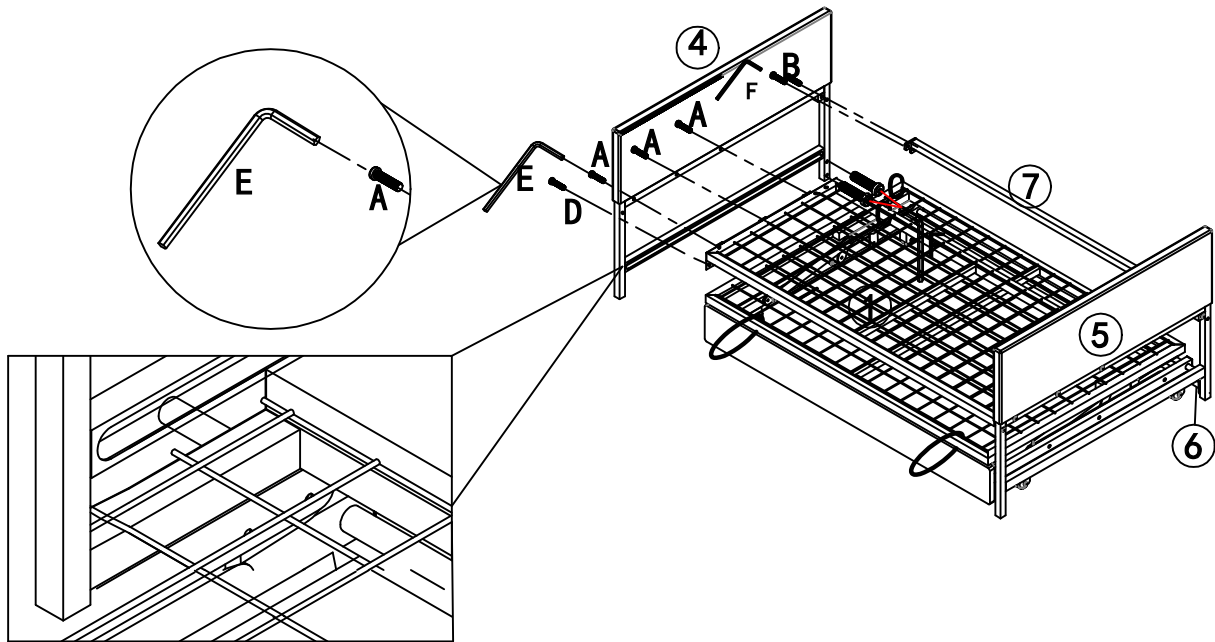
**Step 6: Assemble the right facing arm frame (5) to the seat frame (1) with screw "A" & "D".  
Install the right side of rail (6) by screw "C",  
& rail (7) to arm frame by screw "B".**



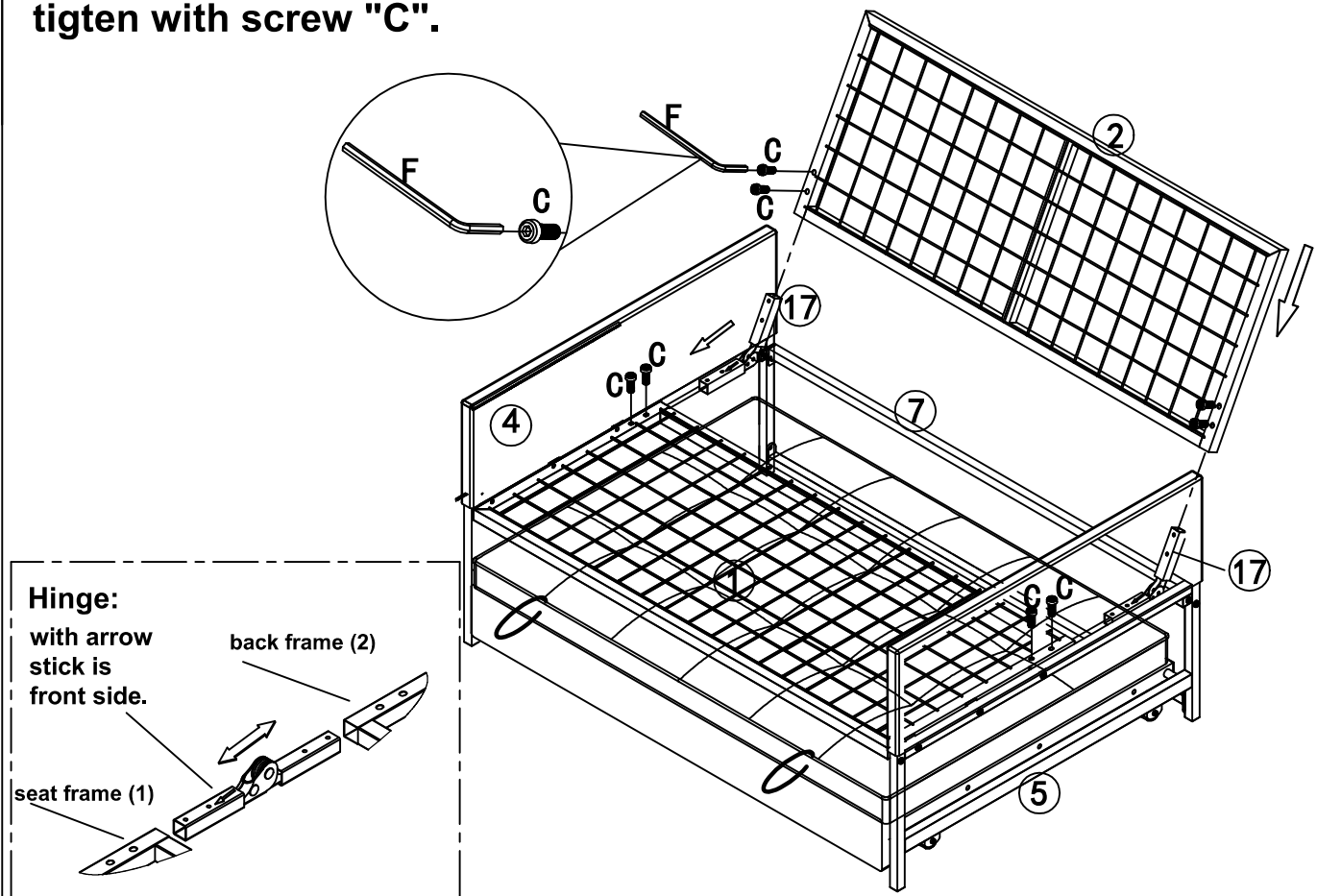
**Step 7: Put the pull-out-frame (3) under the seat frame (1), the small tube (12) is slid to the groove of side tube.**



**Step 8:** Assemble the left facing arm frame (4) to the seat frame, make sure the small tube (12) on this side is in the groove, then tighten the screw "A" & "D" with wrench. Install the right side of rail (6) by screw "C", & rail (7) to arm frame by screw "B".

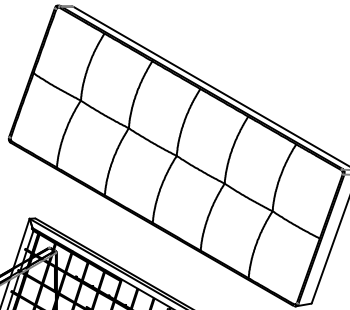
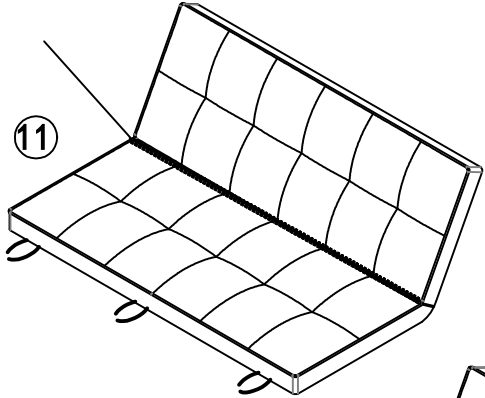


**Step 9:** The hinges which with arrow sticker is front side, Insert the hinges (17) with arrow side to the seat frame (1) and tighten with screw "C", then insert back frame (2) to another side of hinges and tighten with screw "C".

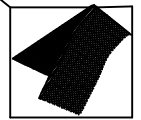


# Step 10: Cover the cushions on frame as per following steps.

1, Unzip it and separate the seat cushion and back cushion

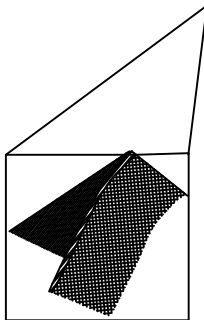
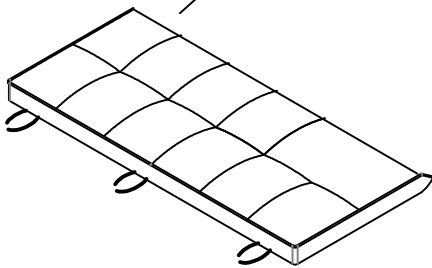
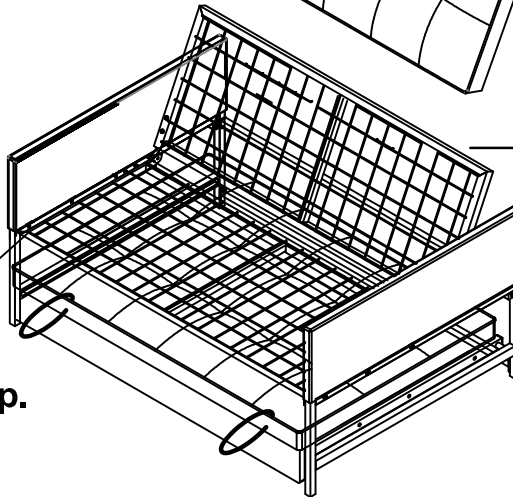


2, Cover on the metal back frame.

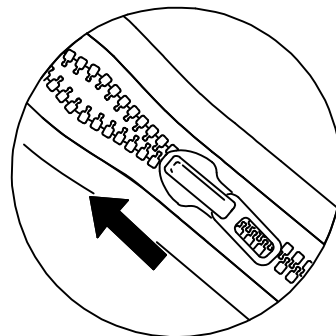


Stick the Hook & Loop on cover.

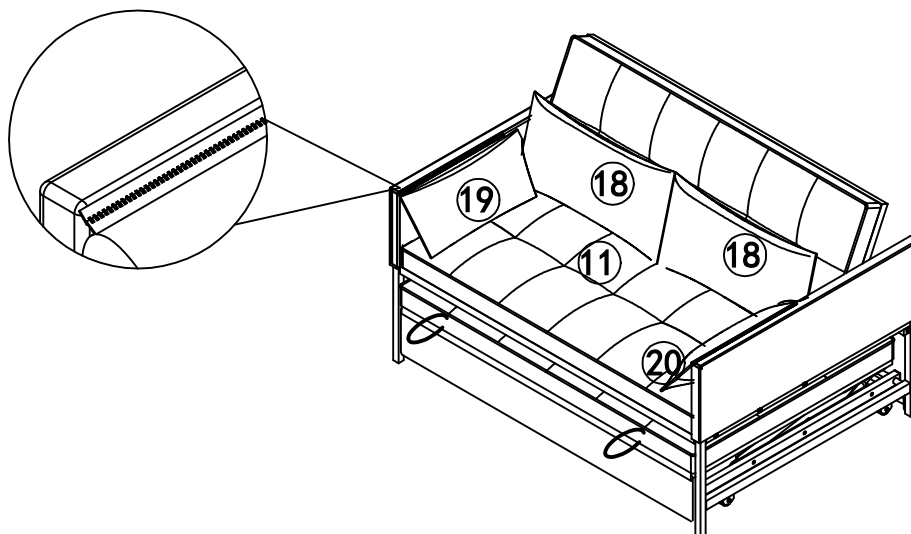
3, Put the seat cushion on frame, align with edge, then stick the Hook & Loop.



4, Zip the cushion.



**Step 11: Zip the arm cushions (19) & (20).  
Put the cushions (18) on sofa and the assembly is complete.**



**Step 12: Lift up the pull-out-frame by straps,  
and then press down to make it align with to the seat.**



**Step 13: The back has 3 angles for adjustable.  
The back must be adjusted more than 90° to lie flat, and convert to  
sofa bed.**

