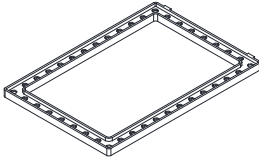
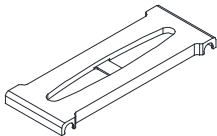
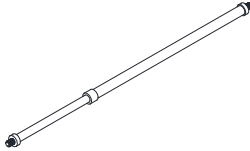



Installation Instruction

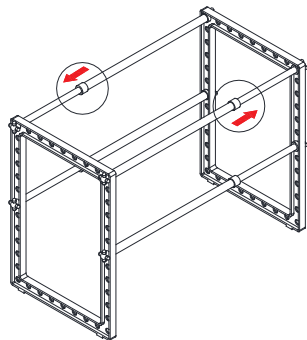
Multifunction Stainless Steel Kitchen Under Sink Shelf

Accessories List ● Check all the accessories first before installation

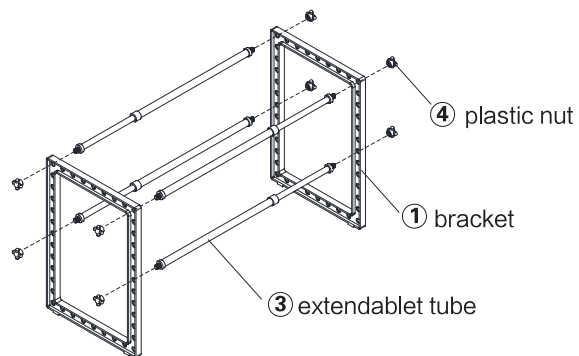
① bracket 	2pcs	② panel 	10pcs
③ extendable tube 	4pcs	④ plastic nut 	8pcs

Installation process

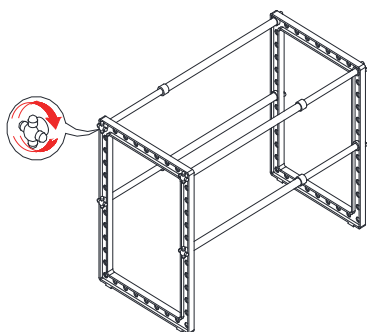
! Install all extendable tubes



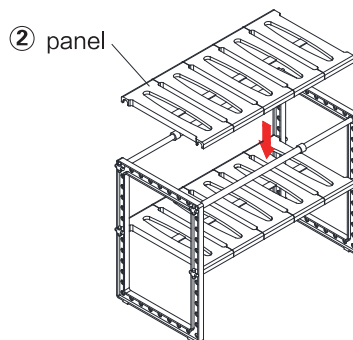
1 Install the extendable tube with the brackets



2 Tighten with plastic nut



3 Put on the panels



4 Finish

