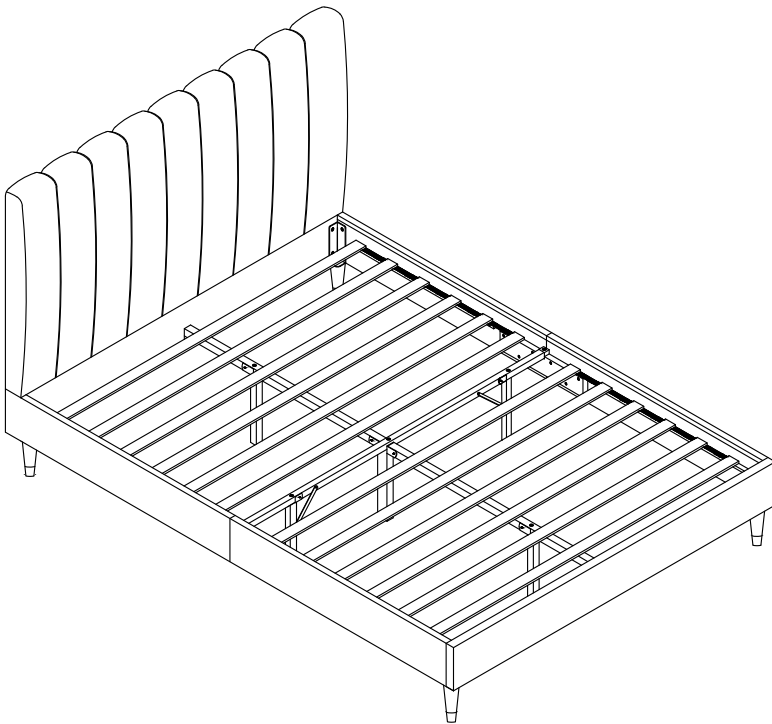


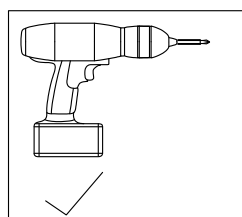
STANDARD BED



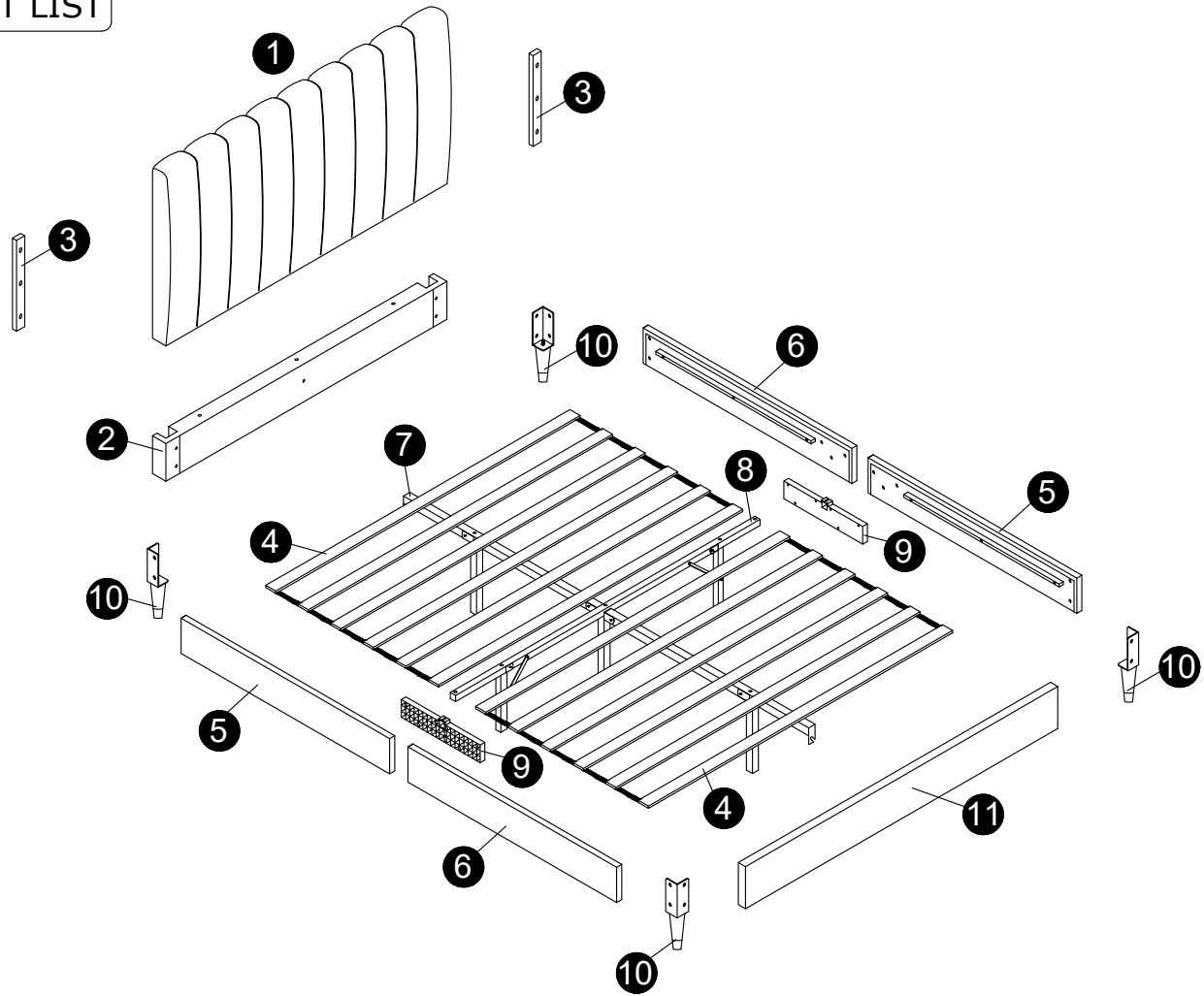
Please **TEAR OFF** this shrink film from side!
DO NOT USE CUTTER!

IMPORTANT NOTE

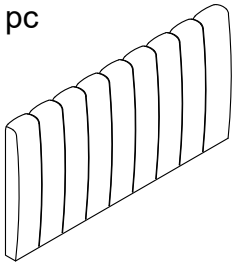
1. FOR THE PROTECTION OF YOUR FURNITURE, PLACE ALL PARTS ON A CLEAN AND SMOOTH SURFACE TO PREVENT ANY DAMAGE.
2. DO NOT USE POWER TOOLS TO ASSEMBLE THE BED.
3. PLEASE PERIODICALLY CHECK ALL FITTINGS AND RE-TIGHTEN AS NECESSARY.
4. DO NOT USE THE BED UNLESS ALL BOLTS AND SCREWS ARE FIRMLY SECURED.
5. NEED PARTS OR ASSISTANCE? EMAIL US
6. YOU CAN ASSEMBLE IT WITH OUR PACKAGING TOOLS OR WITH A.



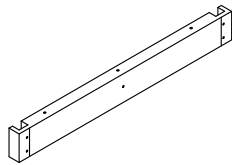
PART LIST



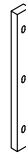
1 x 1pc



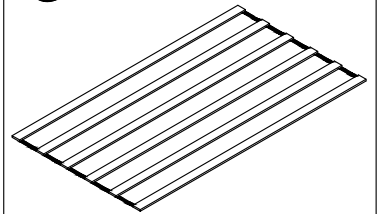
2 x 1pc



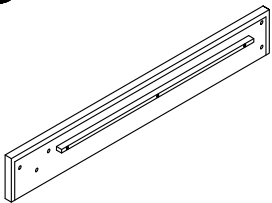
3 x 2pcs



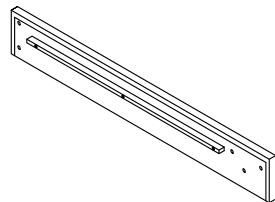
4 x 2pcs



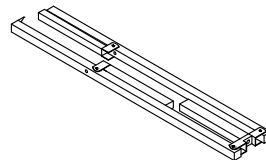
5 x 2pcs



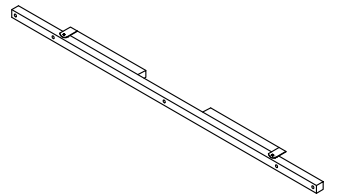
6 x 2pcs



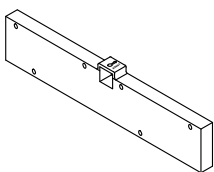
7 x 1pc



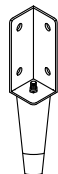
8 x 1pc



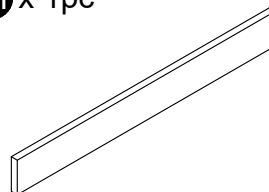
9 x 2pcs



10 x 4pcs



11 x 1pc



HARDWARE LIST



H1 M5 x 1pc



H2 M8x25mm x 18pcs



H3 M8x50mm x 4pcs



H4 M8x40mm x 23pcs



H5 M8 x 34pcs



H6 M8x17mm x 40pcs

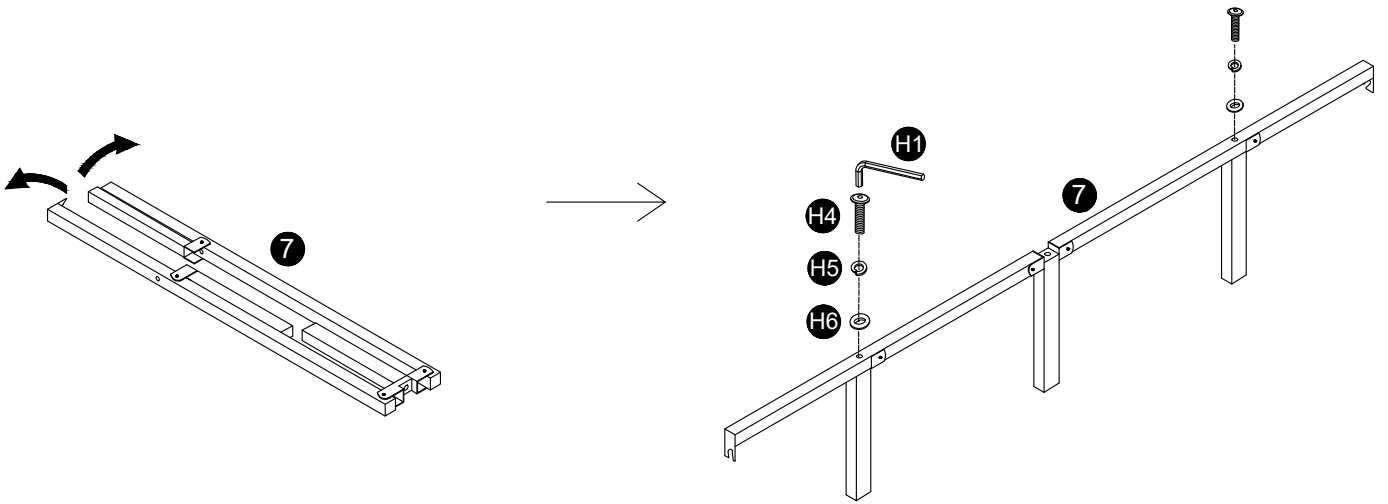


H7 M8x22mm x 6pcs



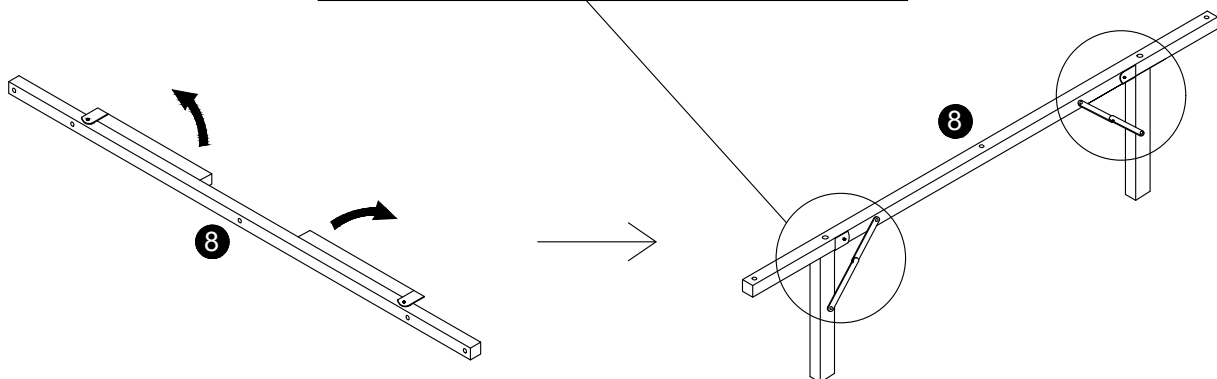
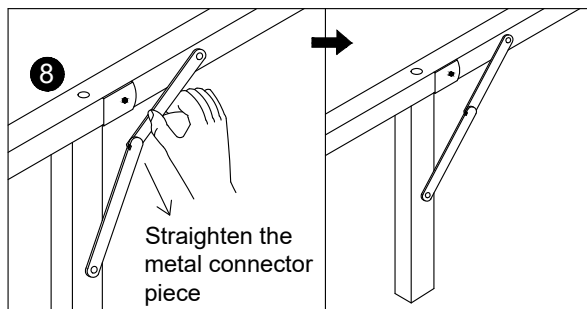
H8 M8x60mm x 1pc

1

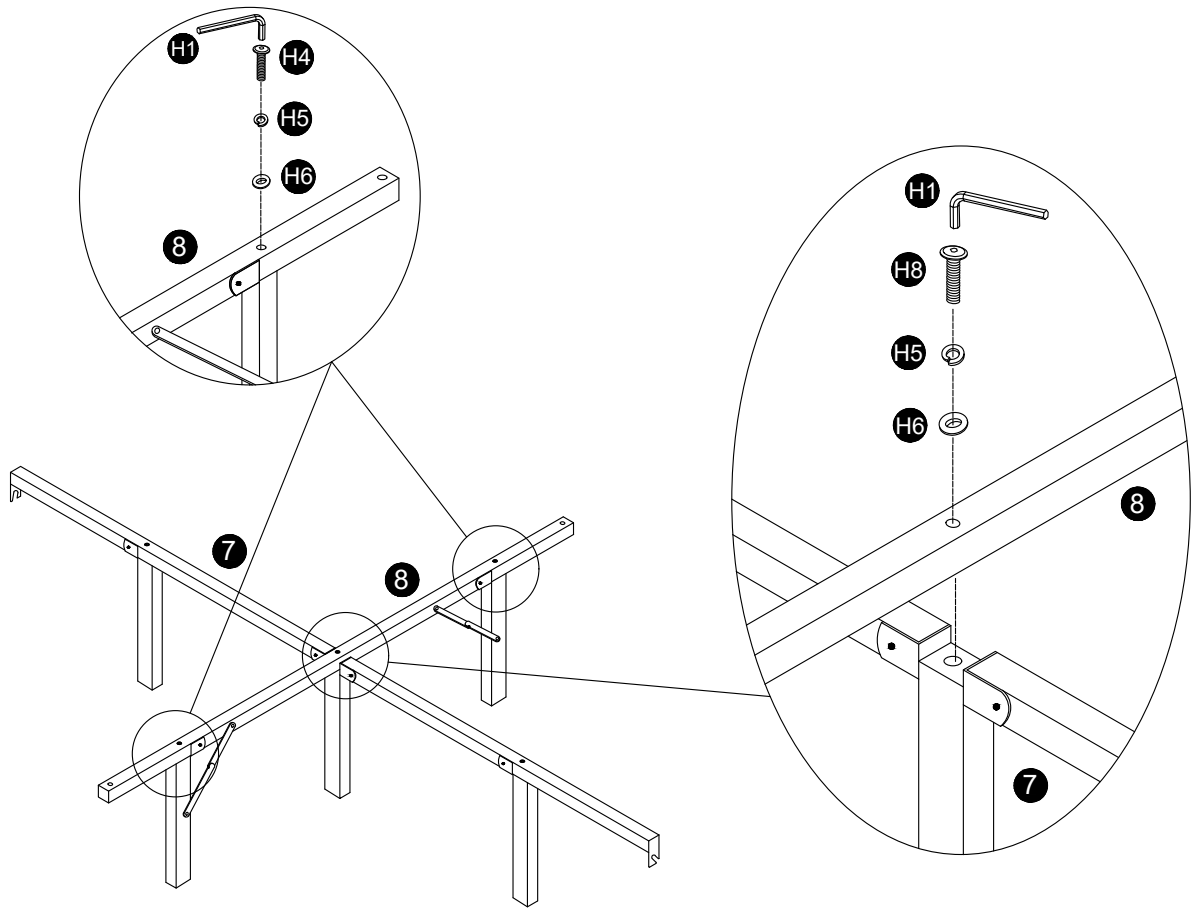


2

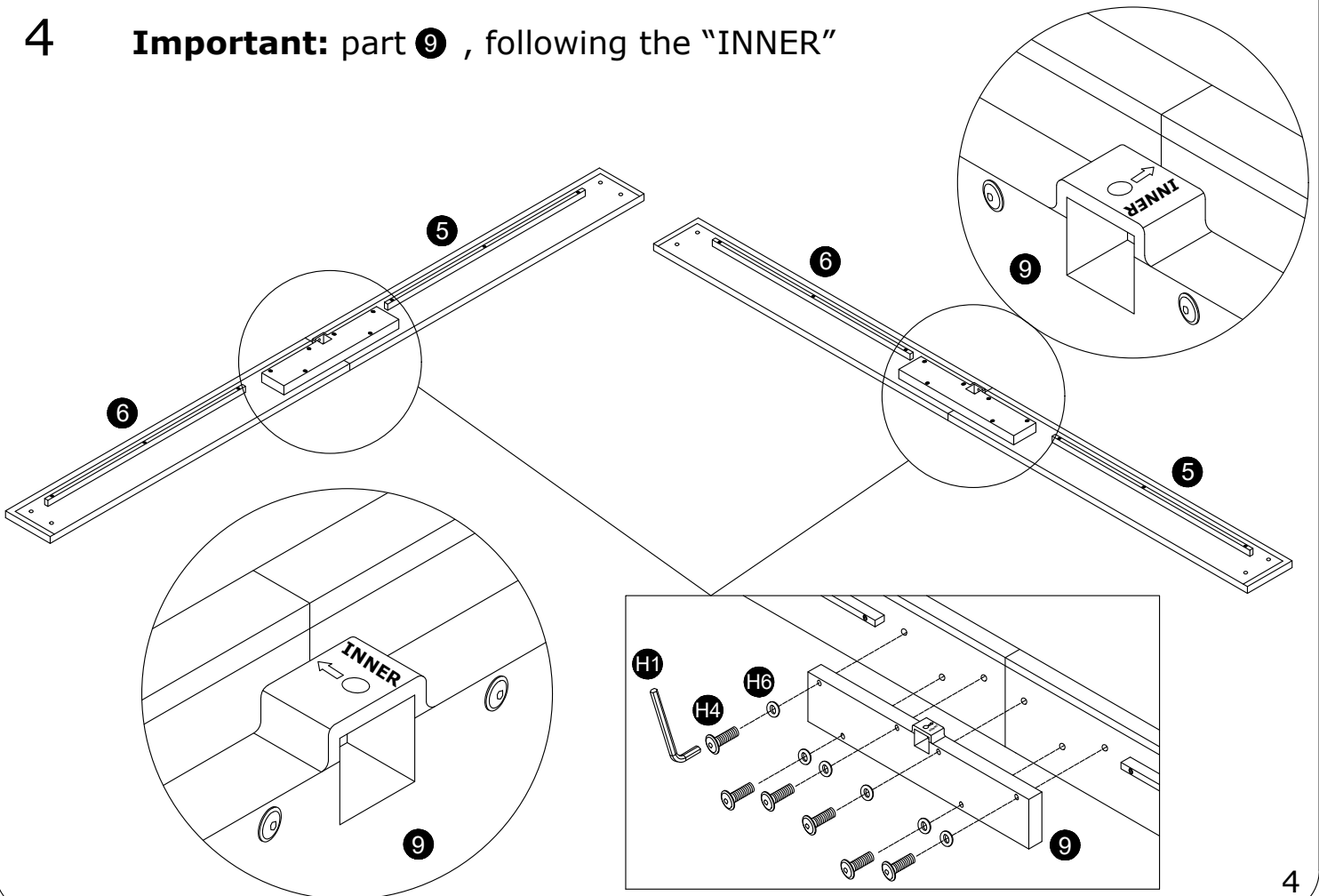
BEWARE OF CLAMP HAND



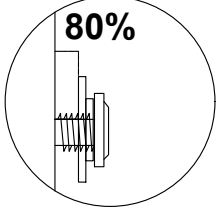
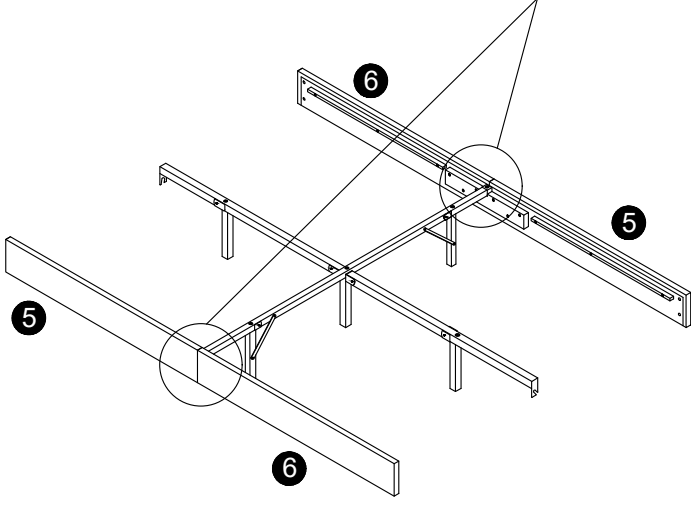
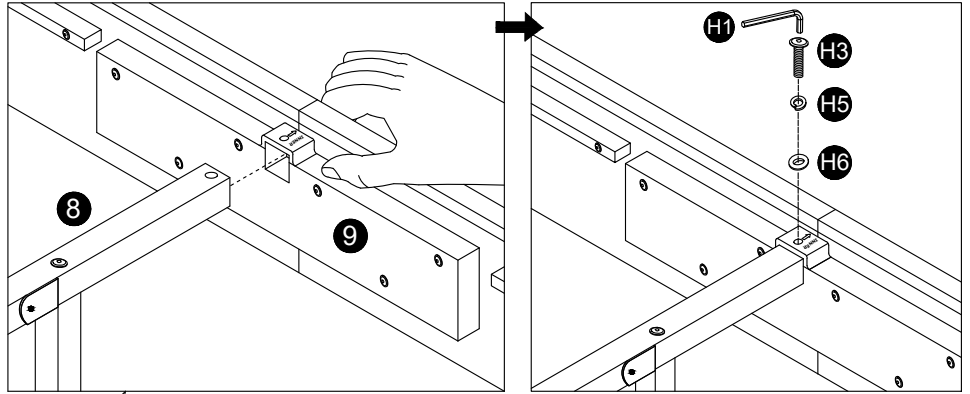
3



4 **Important:** part 9 , following the "INNER"

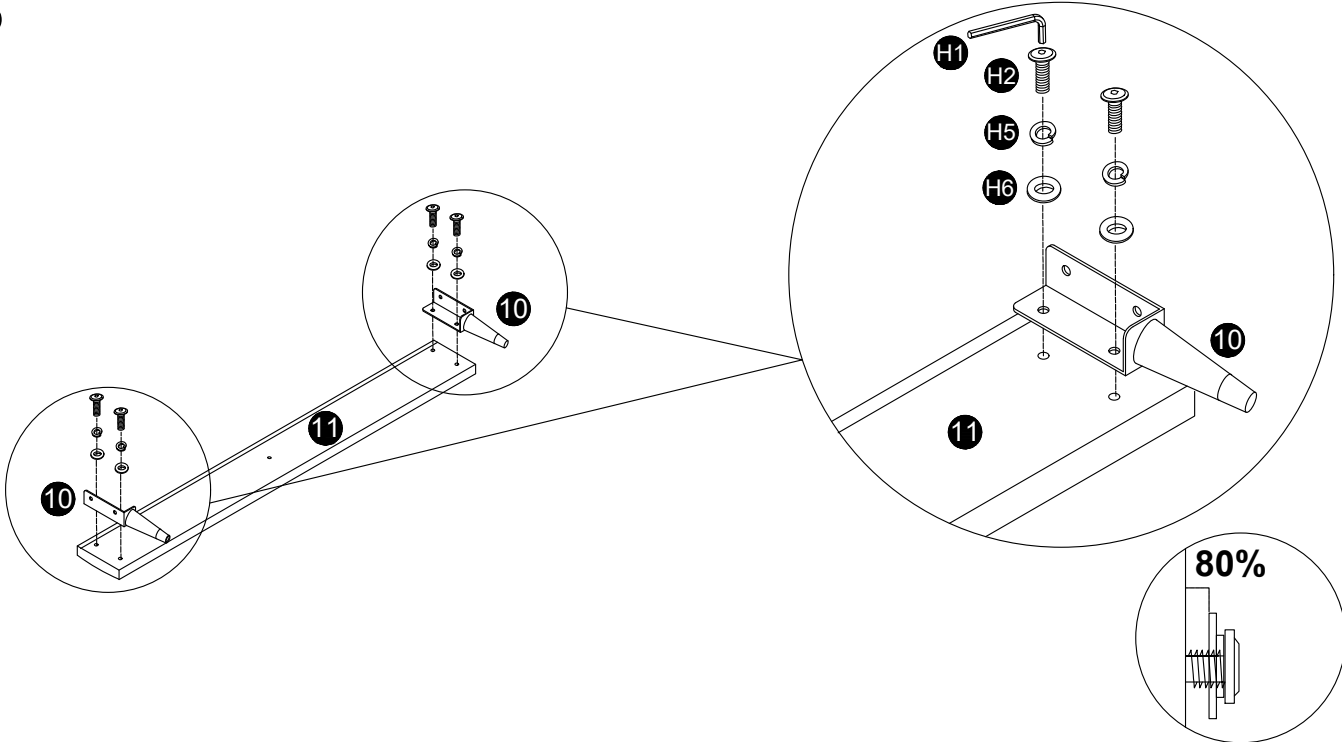


5 If can't assembly, checking STEP 4 if wrong



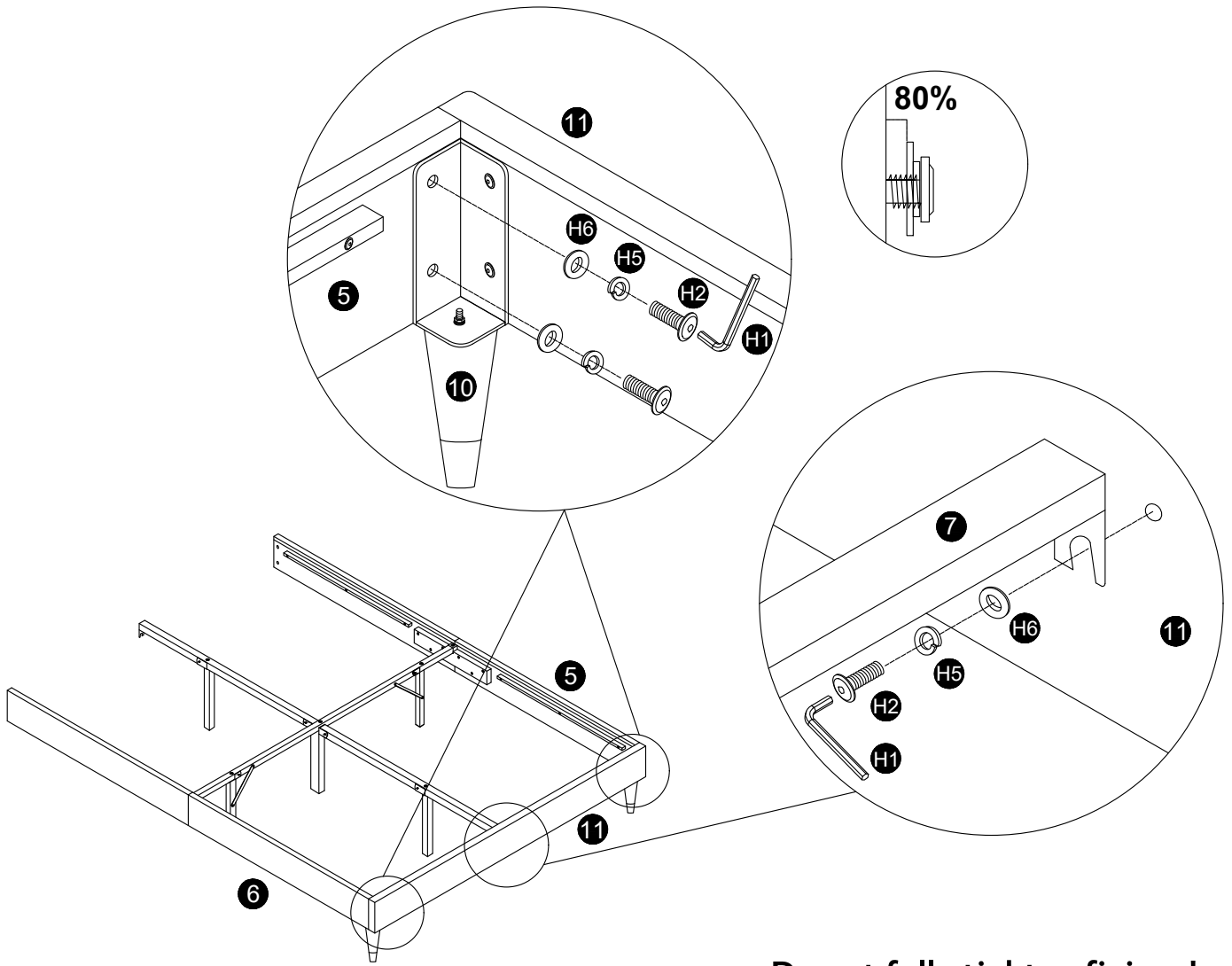
Do not fully tighten fixings!

6



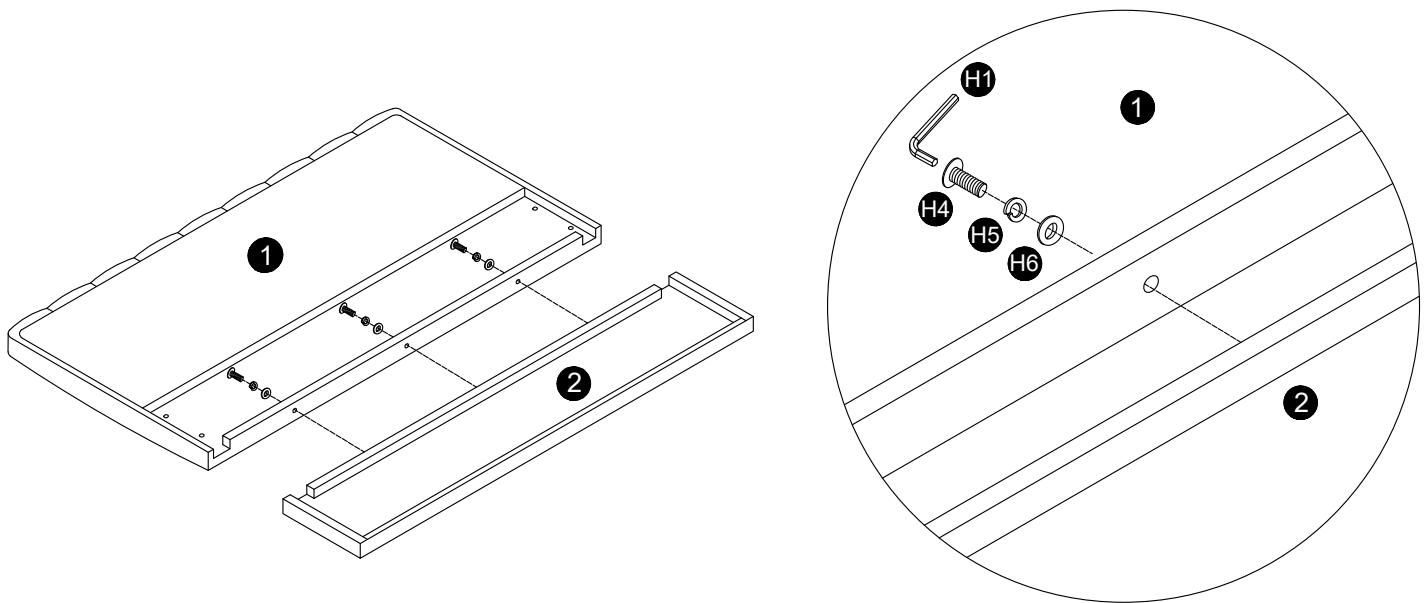
Do not fully tighten fixings!

7

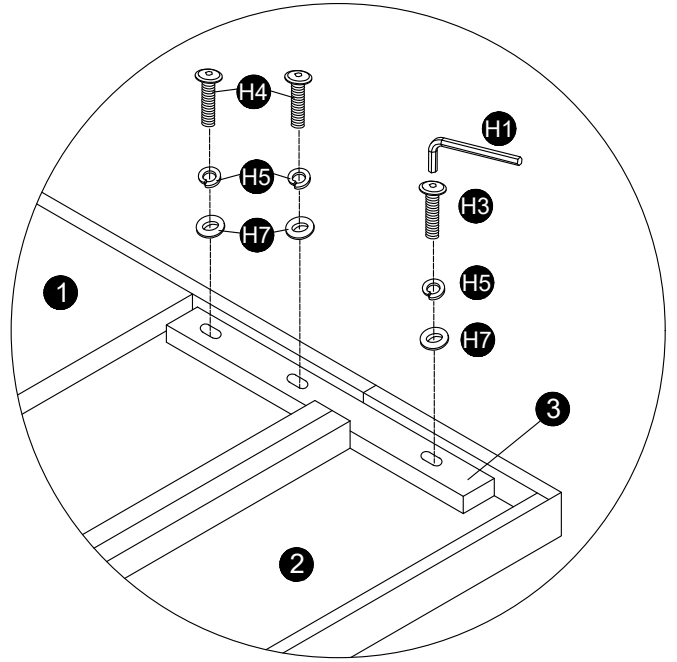
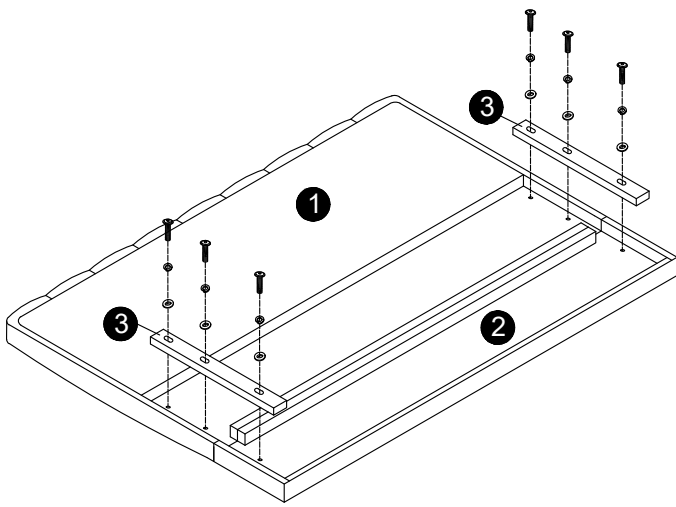


Do not fully tighten fixings!

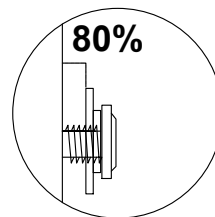
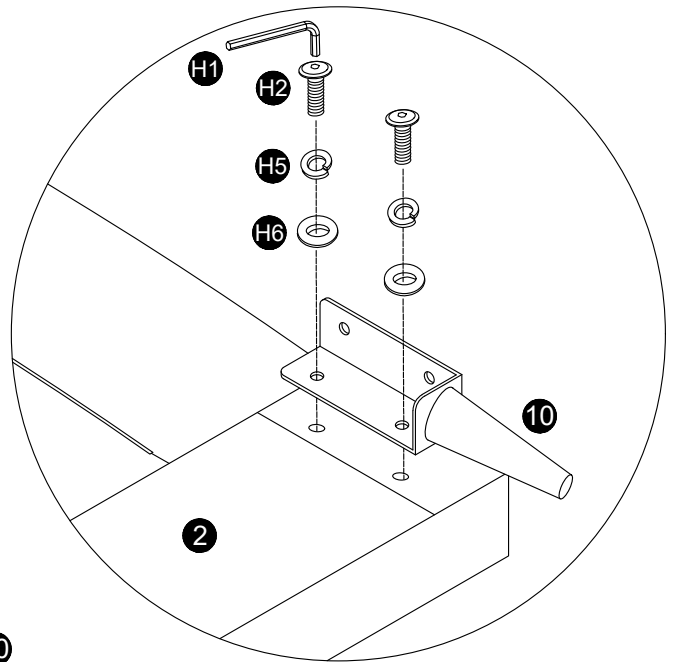
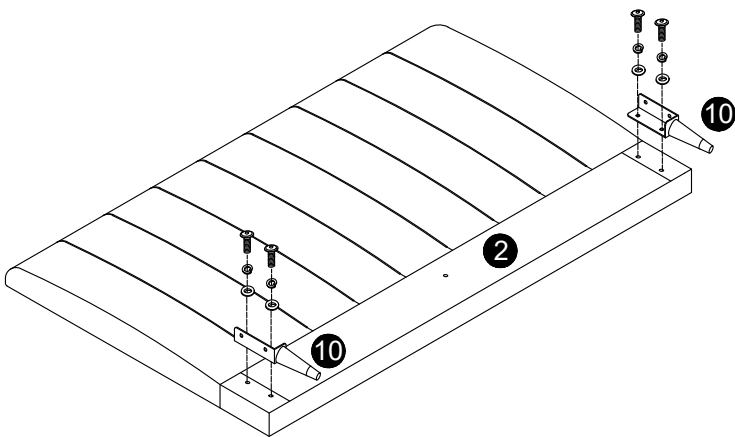
8



9

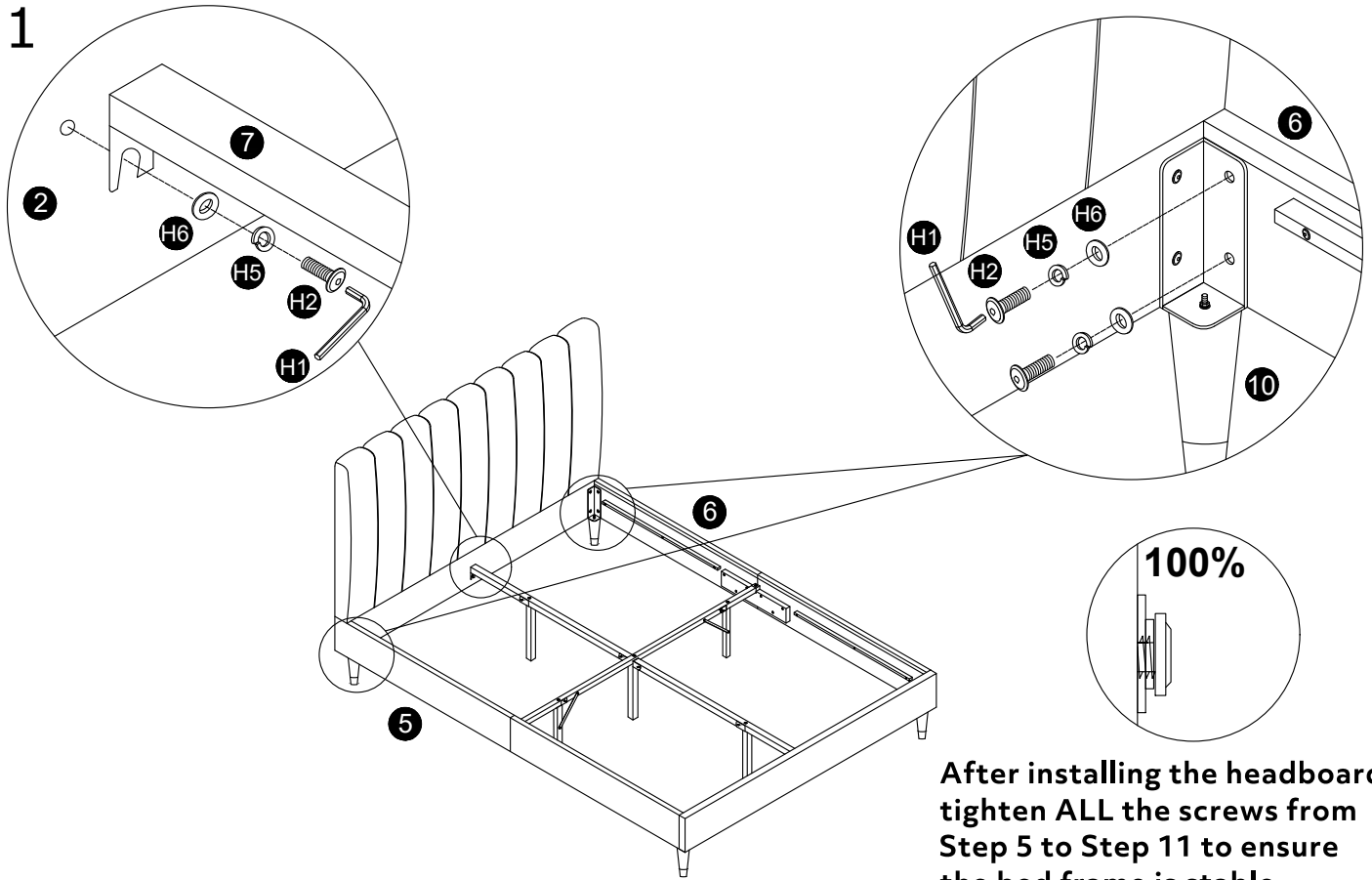


10



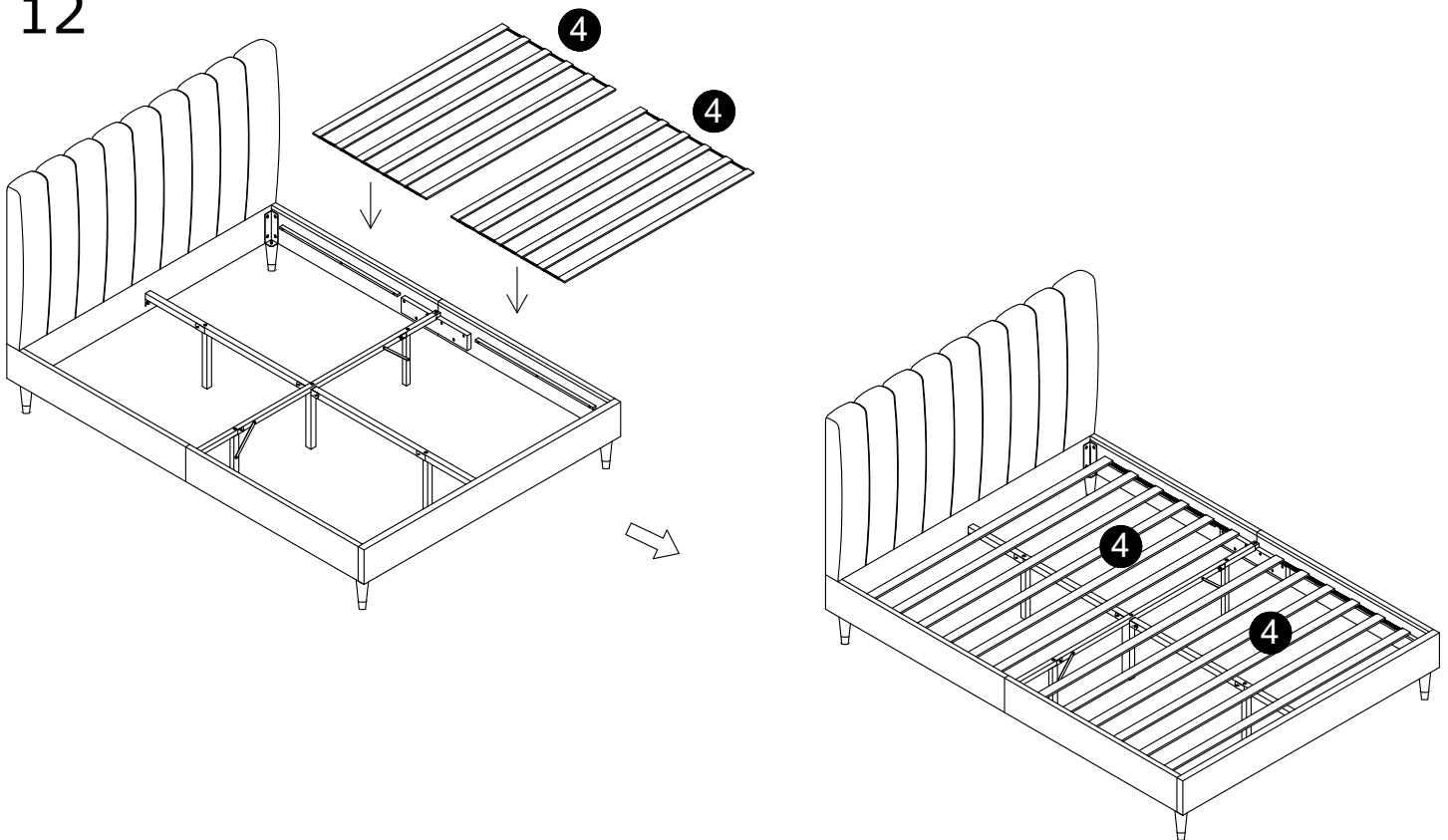
Do not fully tighten fixings!

11



After installing the headboard, tighten ALL the screws from Step 5 to Step 11 to ensure the bed frame is stable.

12



Job Complete !

In the interest of our environment please dispose of all packaging thoughtfully.