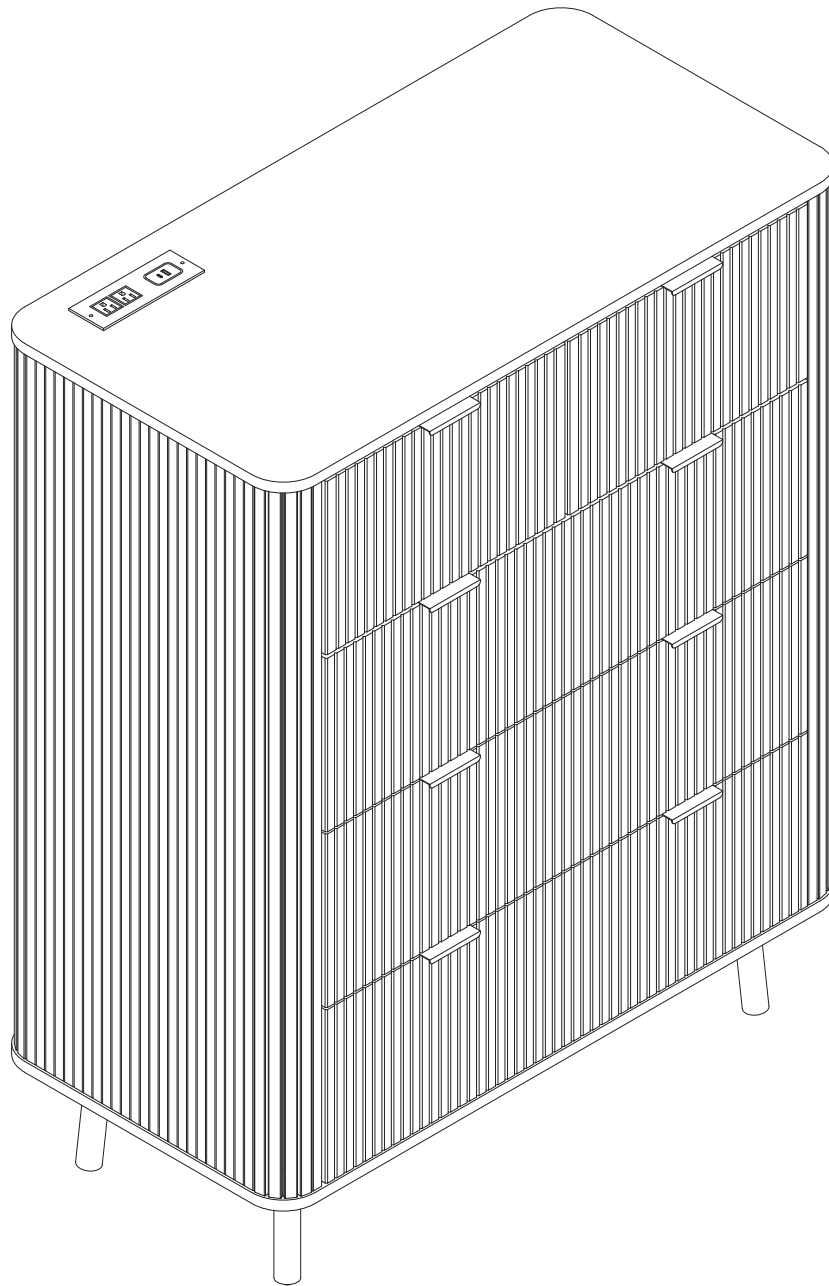
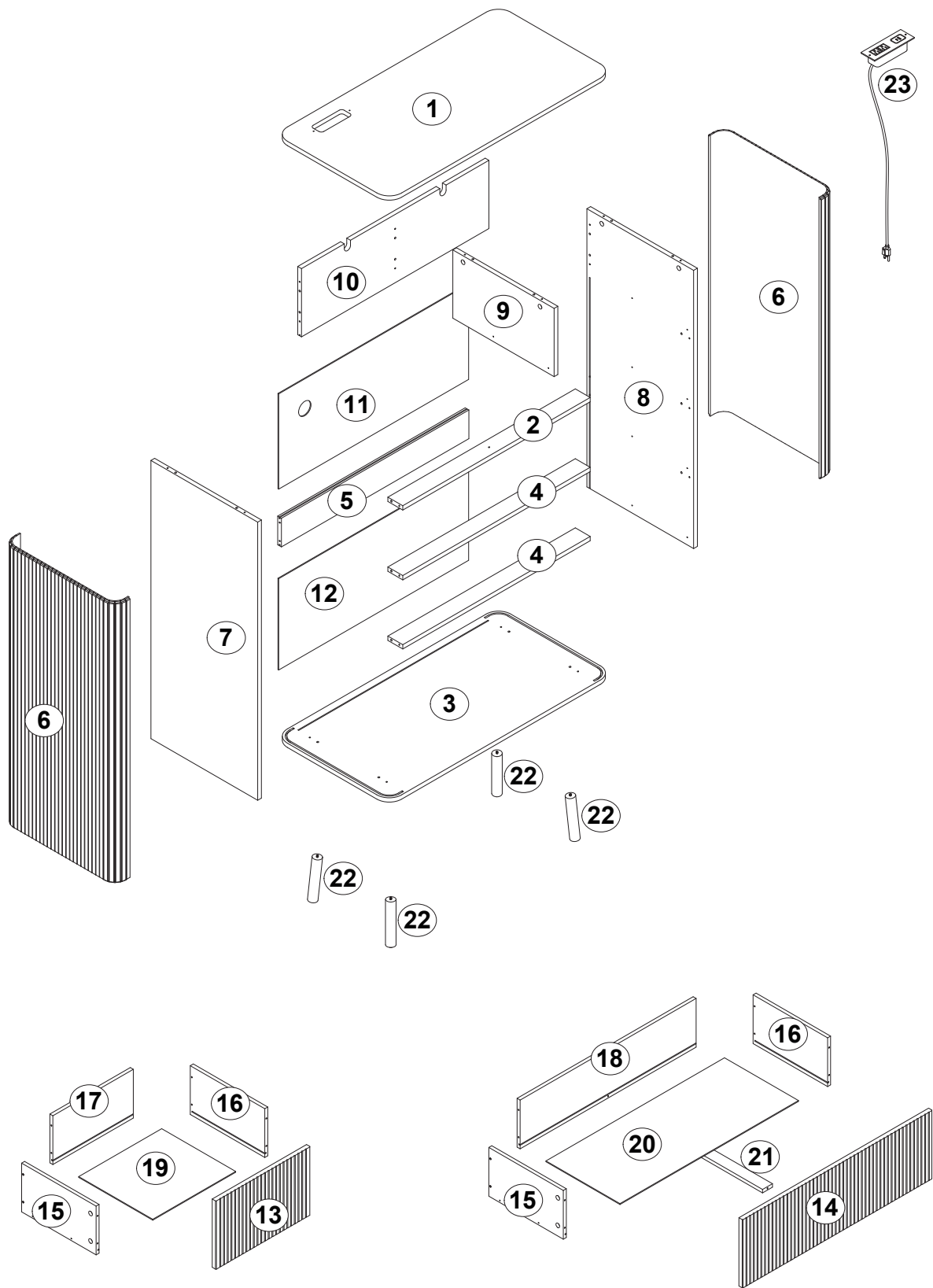
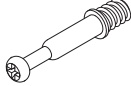







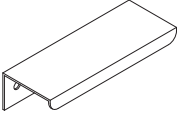
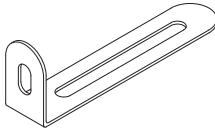

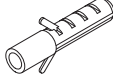
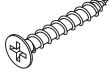

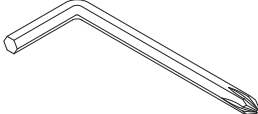
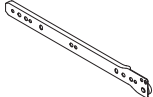
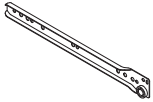

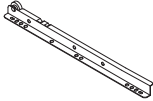
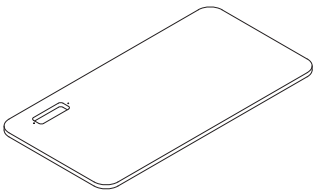
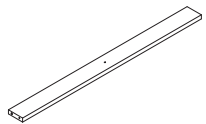
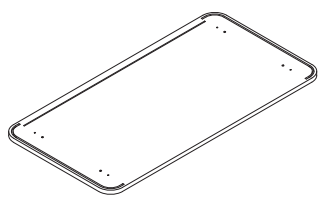
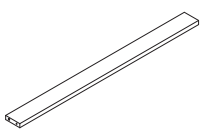
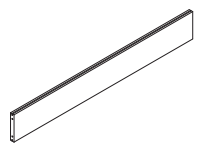
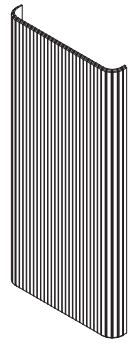
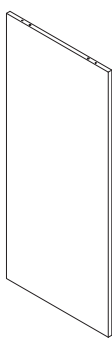
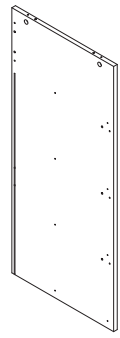
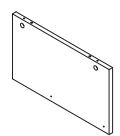
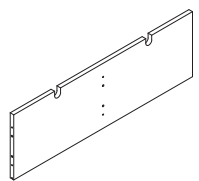
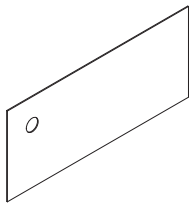
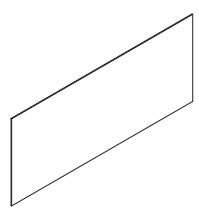
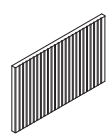
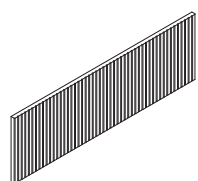
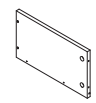


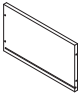
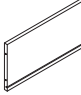
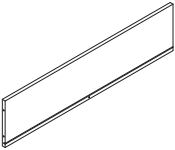
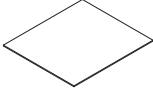
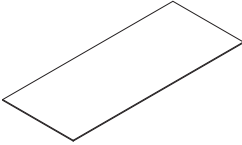



# ASSEMBLING INSTRUCTION




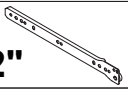
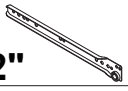


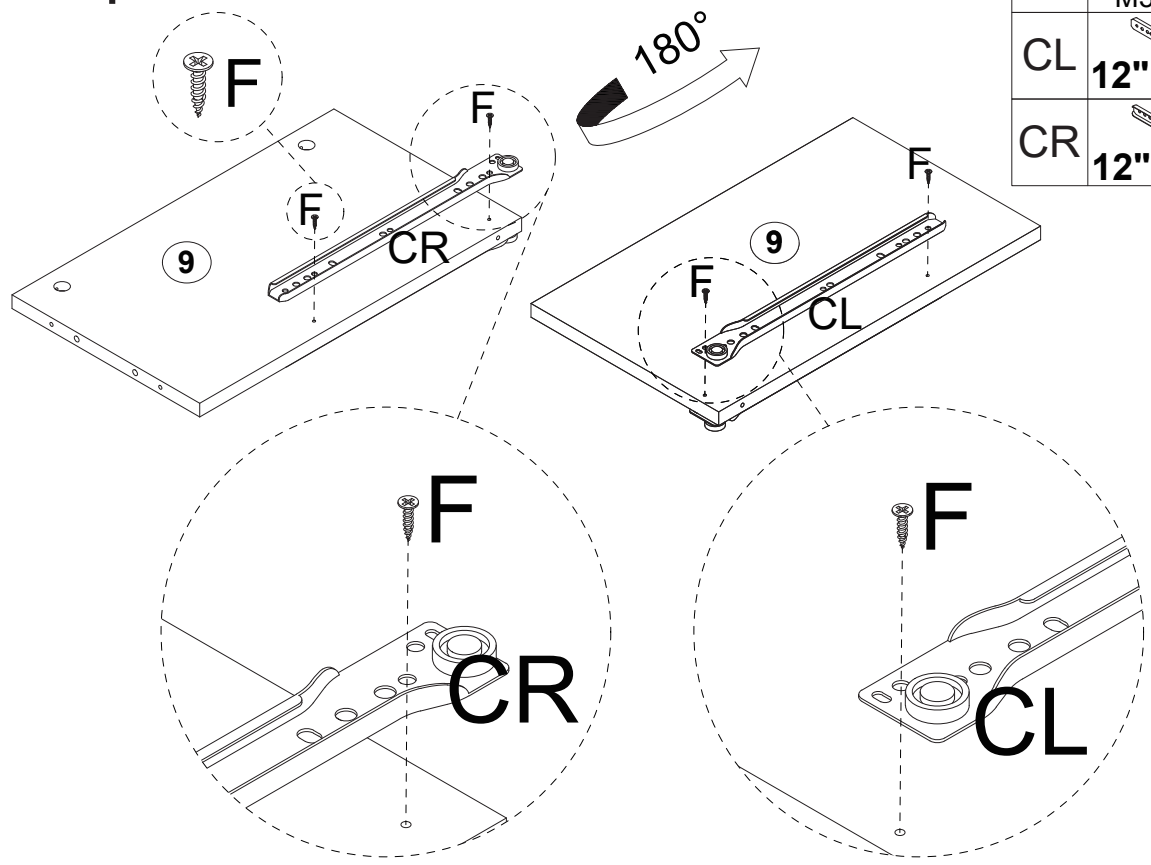
A		<b>43</b>	H		<b>8</b>
B		<b>43</b>	I	 M3*14mm	<b>10</b>
C		<b>22</b>	J	 M4*14mm	<b>22</b>
D	 M4*40mm	<b>9</b>	K		<b>4</b>
E		<b>8</b>	L		<b>2</b>
F	 M3*12mm	<b>56</b>	M		<b>2</b>
G	 M4*25mm	<b>23</b>	N		<b>43</b>
			O		<b>1</b>
CL	12" 	<b>5</b>			
CR	12" 	<b>5</b>			
DL	12" 	<b>5</b>			
DR	12" 	<b>5</b>			

<p>①</p>  <p>X1</p>	<p>②</p>  <p>X1</p>	<p>③</p>  <p>X1</p>
<p>④</p>  <p>X2</p>	<p>⑤</p>  <p>X1</p>	<p>⑥</p>  <p>X2</p>
<p>⑦</p>  <p>X1</p>	<p>⑧</p>  <p>X1</p>	<p>⑨</p>  <p>X1</p>
<p>⑩</p>  <p>X1</p>	<p>⑪</p>  <p>X1</p>	<p>⑫</p>  <p>X1</p>
<p>⑬</p>  <p>X2</p>	<p>⑭</p>  <p>X3</p>	<p>⑮</p>  <p>X5</p>



<p>①⑥</p>  <p>X5</p>	<p>①⑦</p>  <p>X2</p>	<p>①⑧</p>  <p>X3</p>
<p>①⑨</p>  <p>X2</p>	<p>②⑩</p>  <p>X3</p>	<p>②⑪</p>  <p>X3</p>
<p>②②</p>  <p>X4</p>	<p>②③</p>  <p>X1</p>	

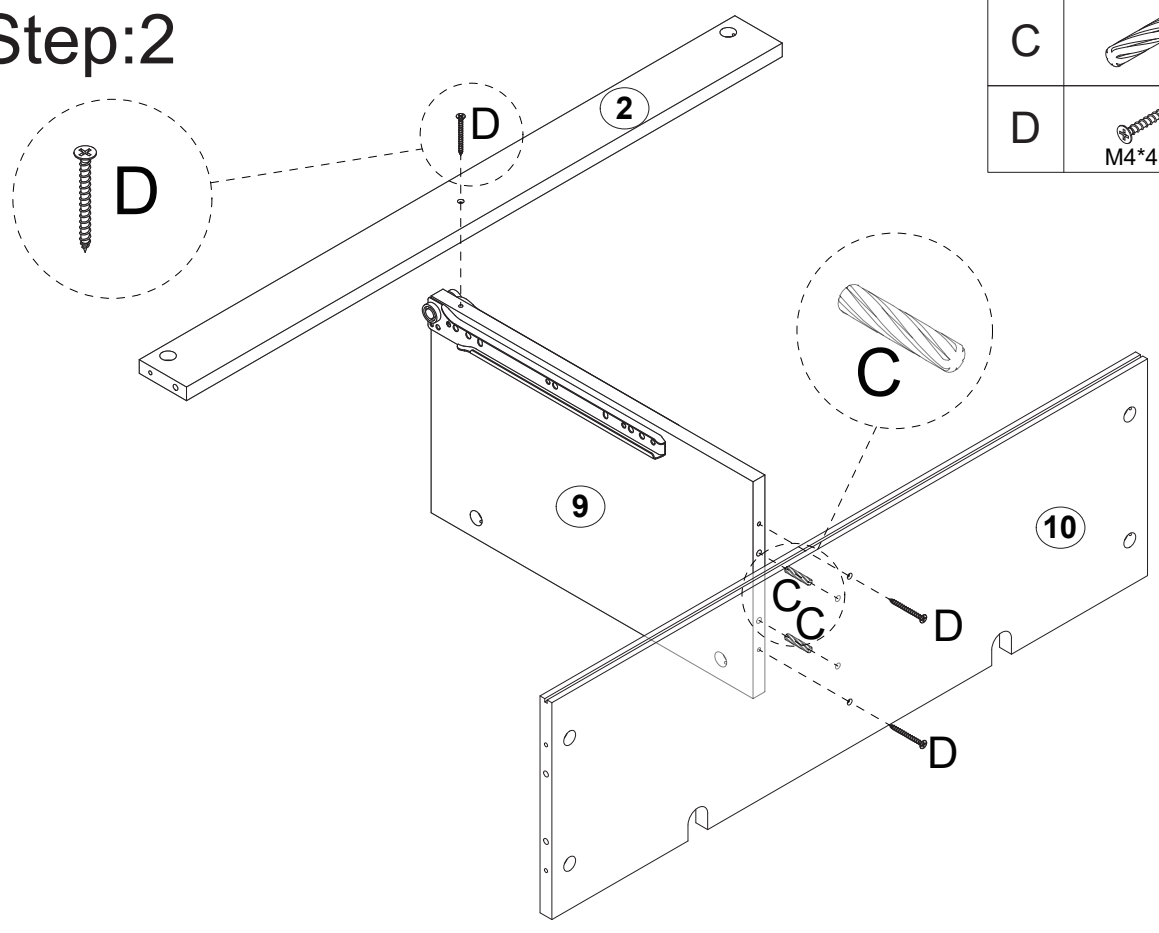
# Step:1

F	 M3*12mm	X4
CL	 12"	X1
CR	 12"	X1

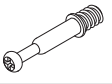

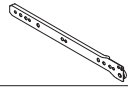


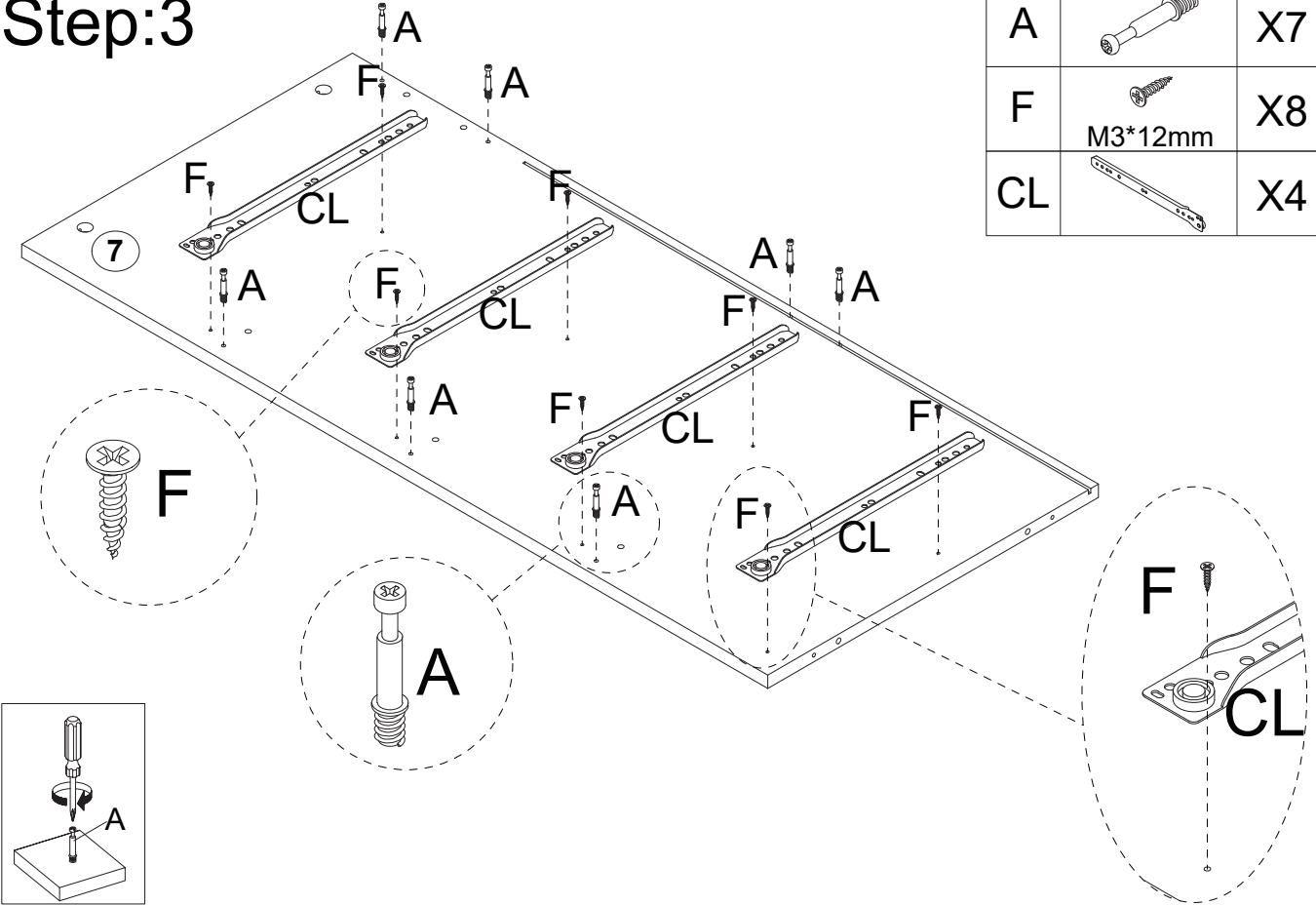
# Step:2

C		X2
D	 M4*40mm	X3

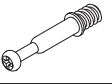

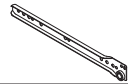


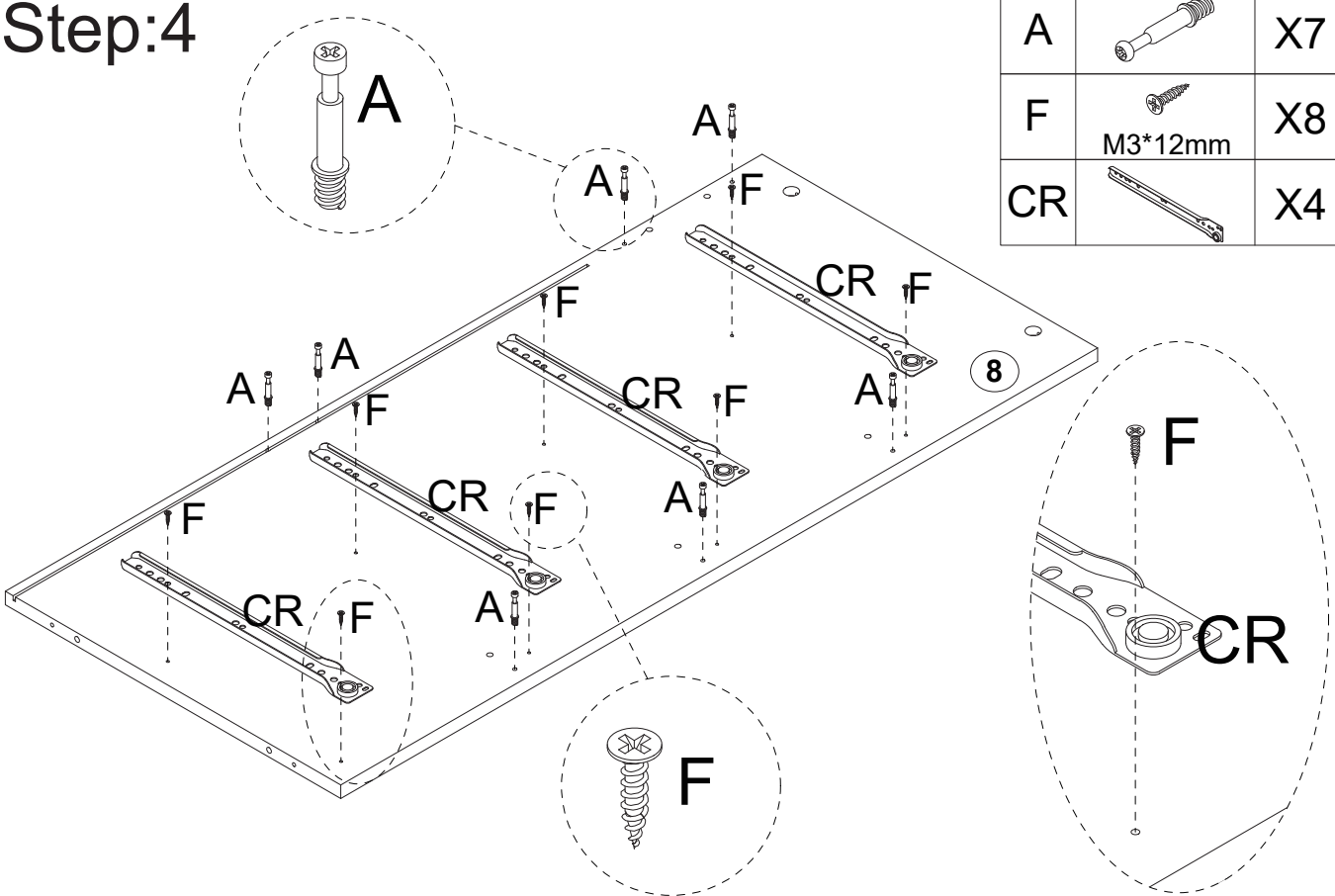
# Step:3

A		X7
F	 M3*12mm	X8
CL		X4






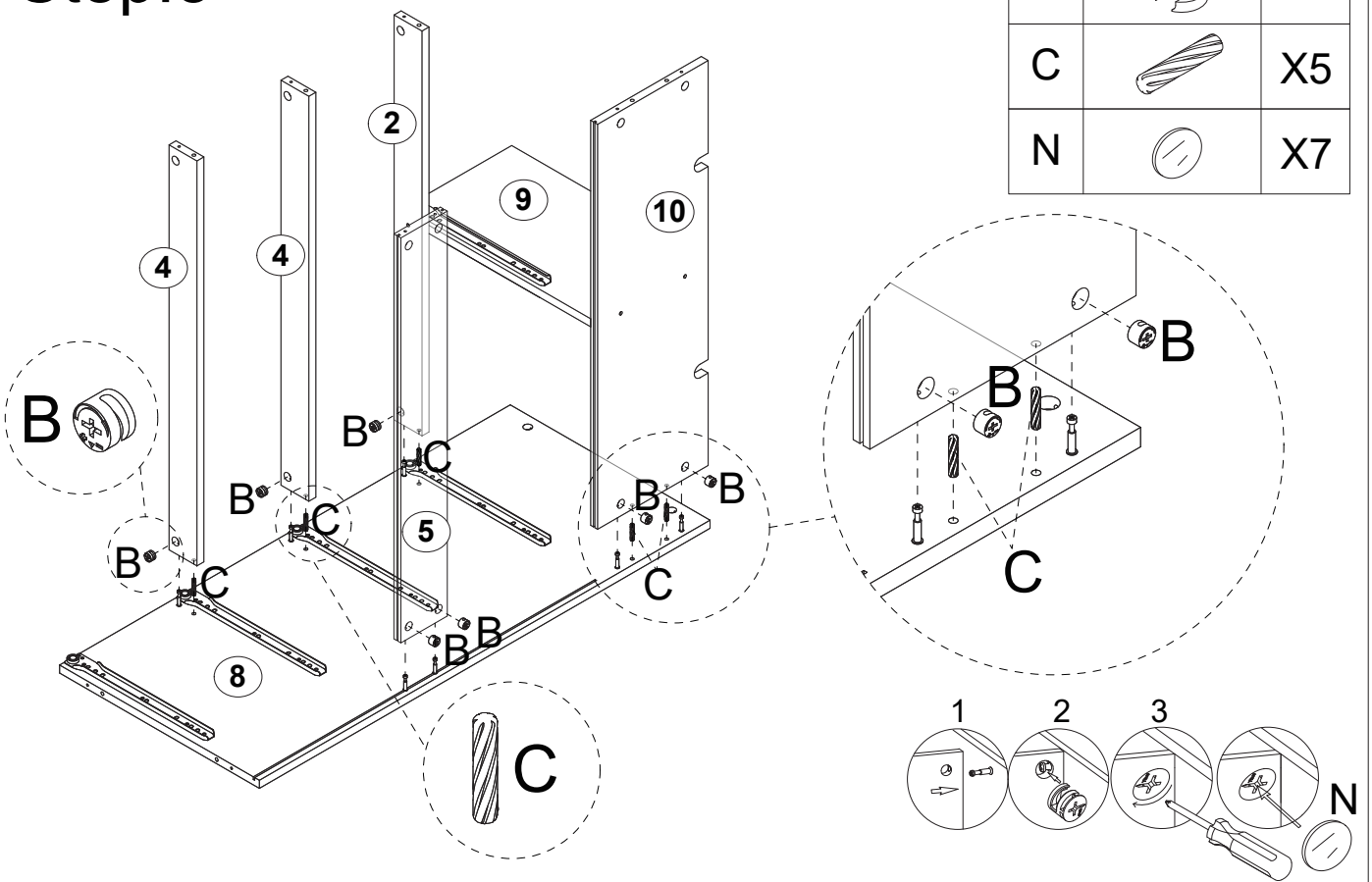
# Step:4

A		X7
F	 M3*12mm	X8
CR		X4

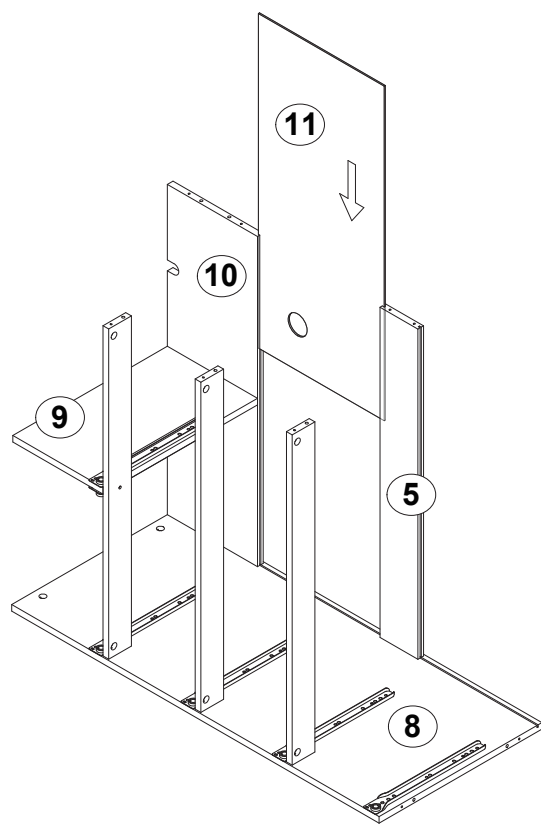


# Step:5




B		X7
C		X5
N		X7

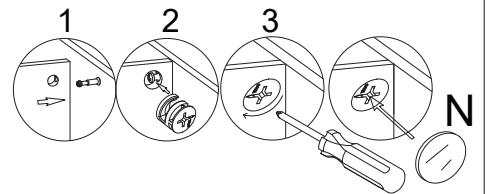
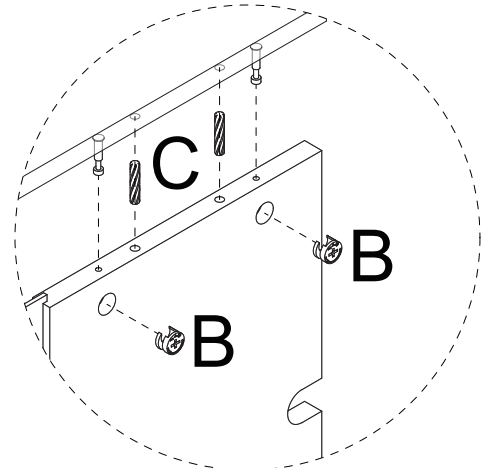
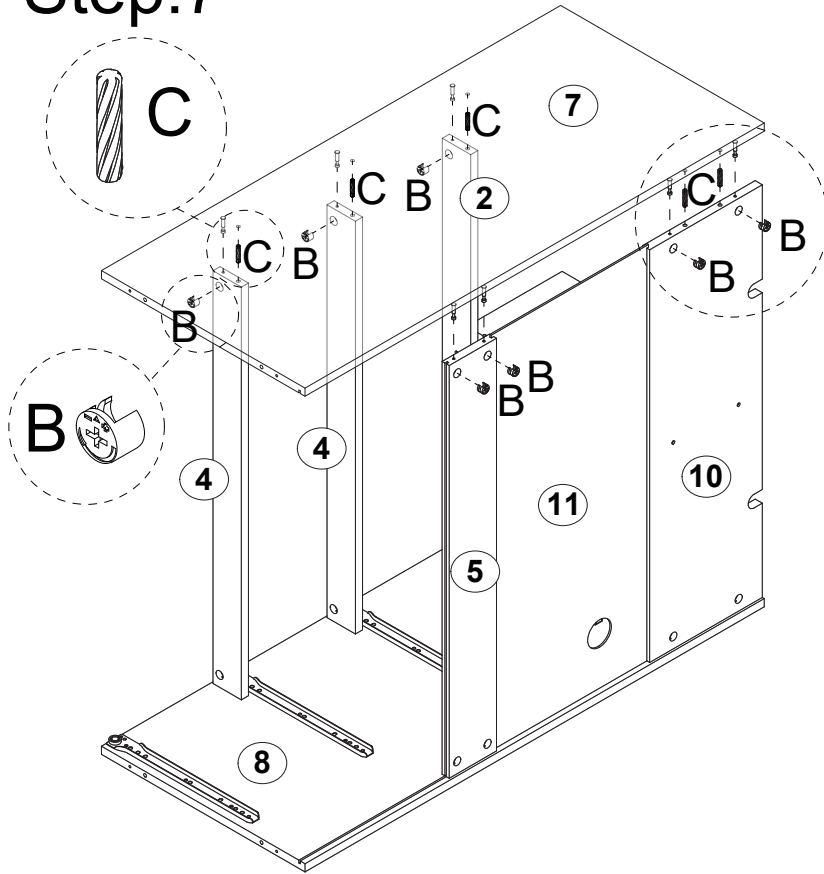


# Step:6

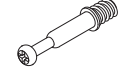

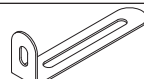


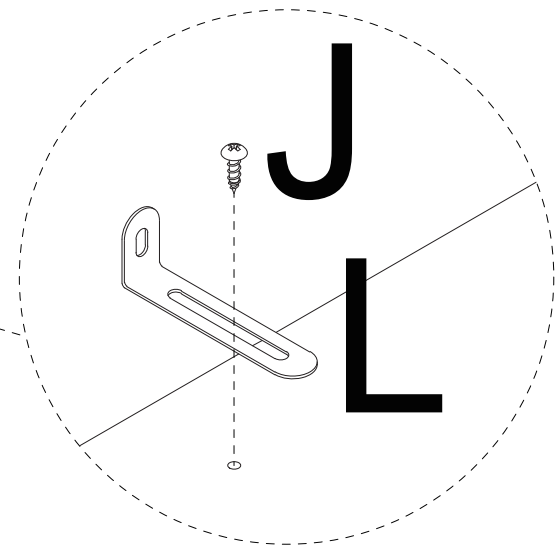
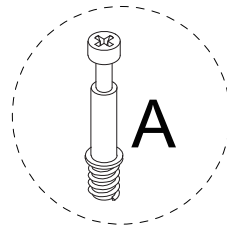
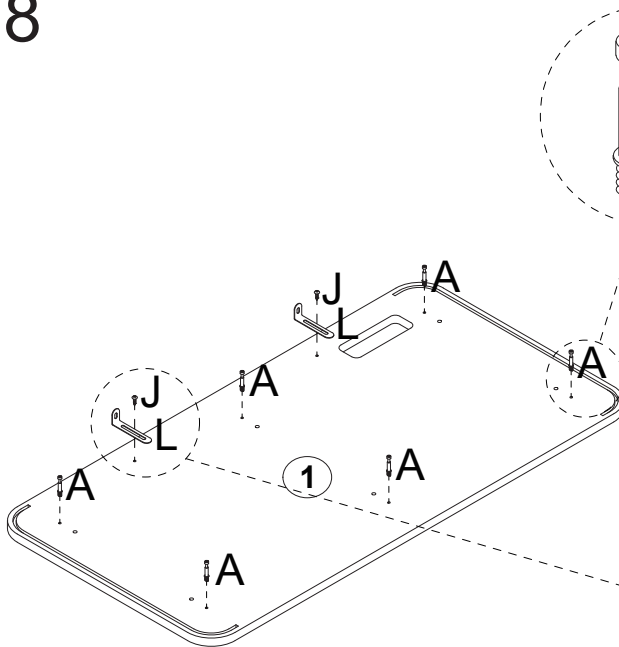
# Step:7

B		X7
C		X5
N		X7

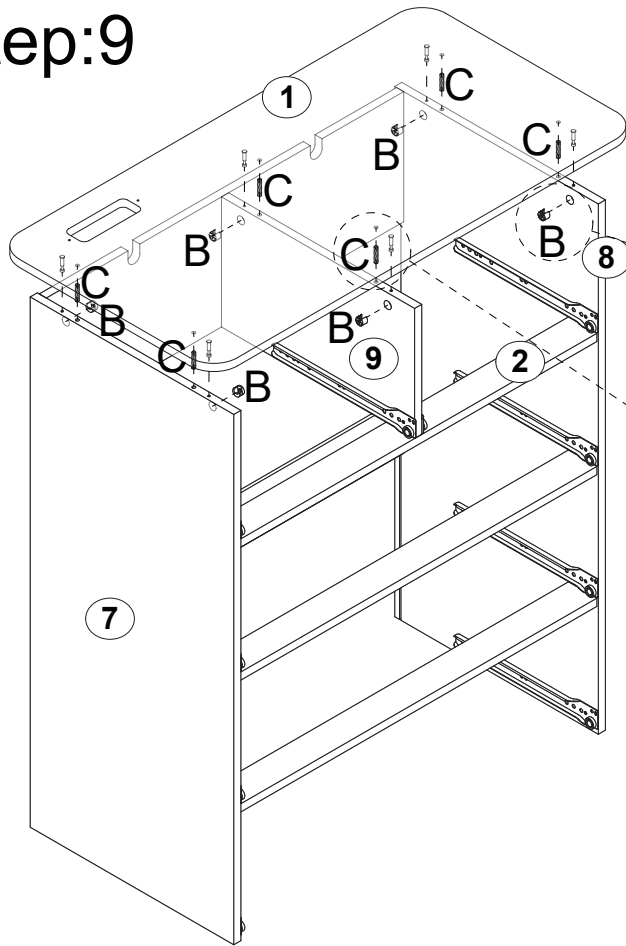


# Step:8

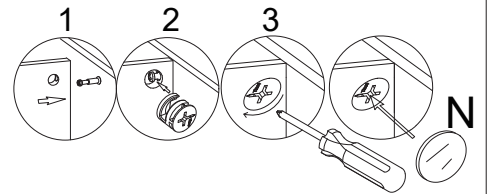
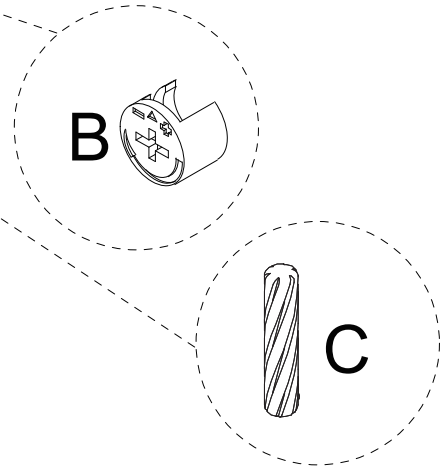
A		X6
J	 M4*14mm	X2
L		X2



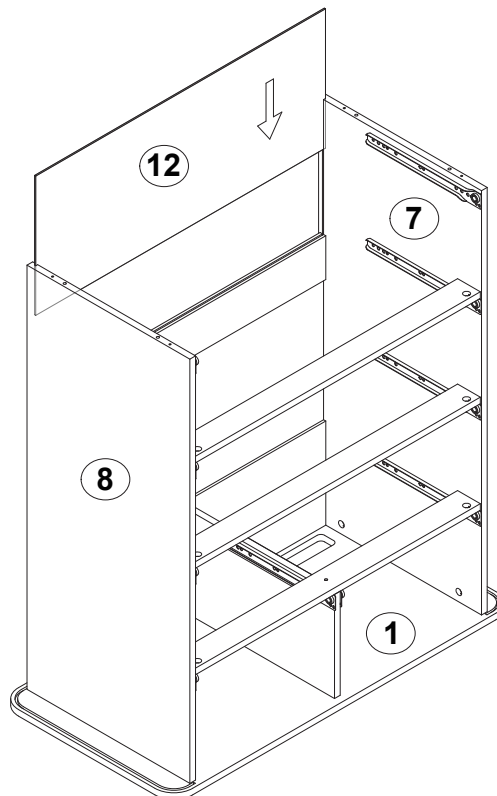
# Step:9



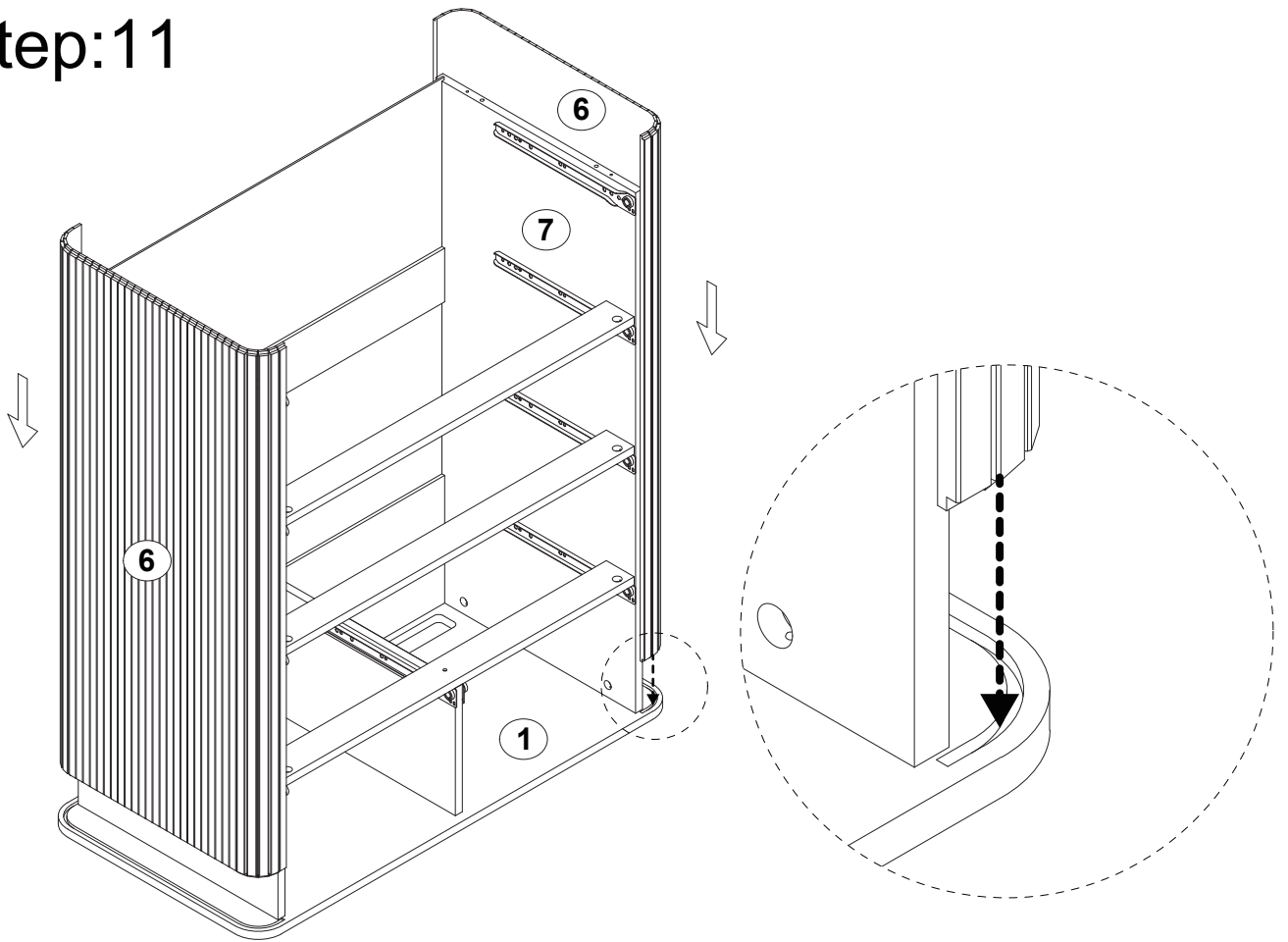
B		X6
C		X6
N		X6




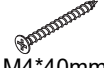
# Step:10

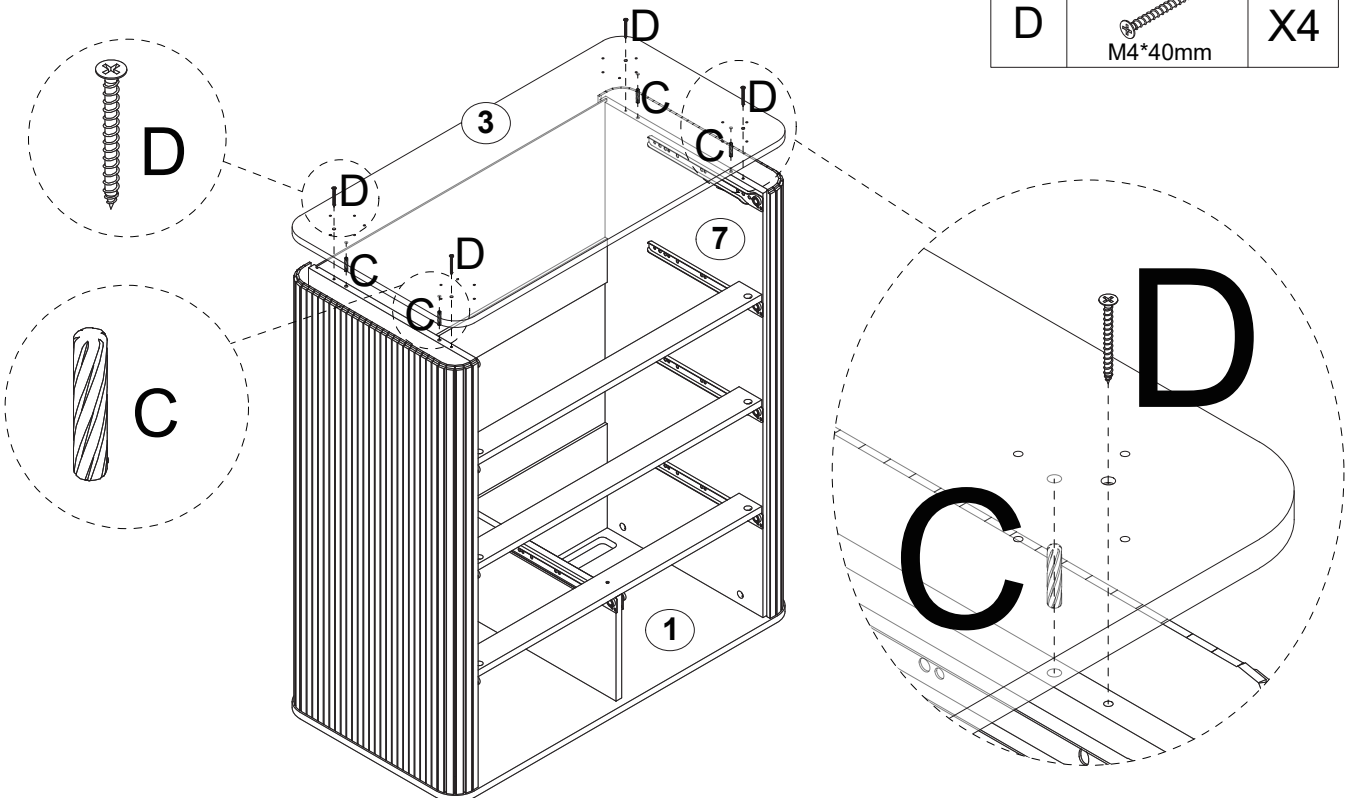


# Step:11

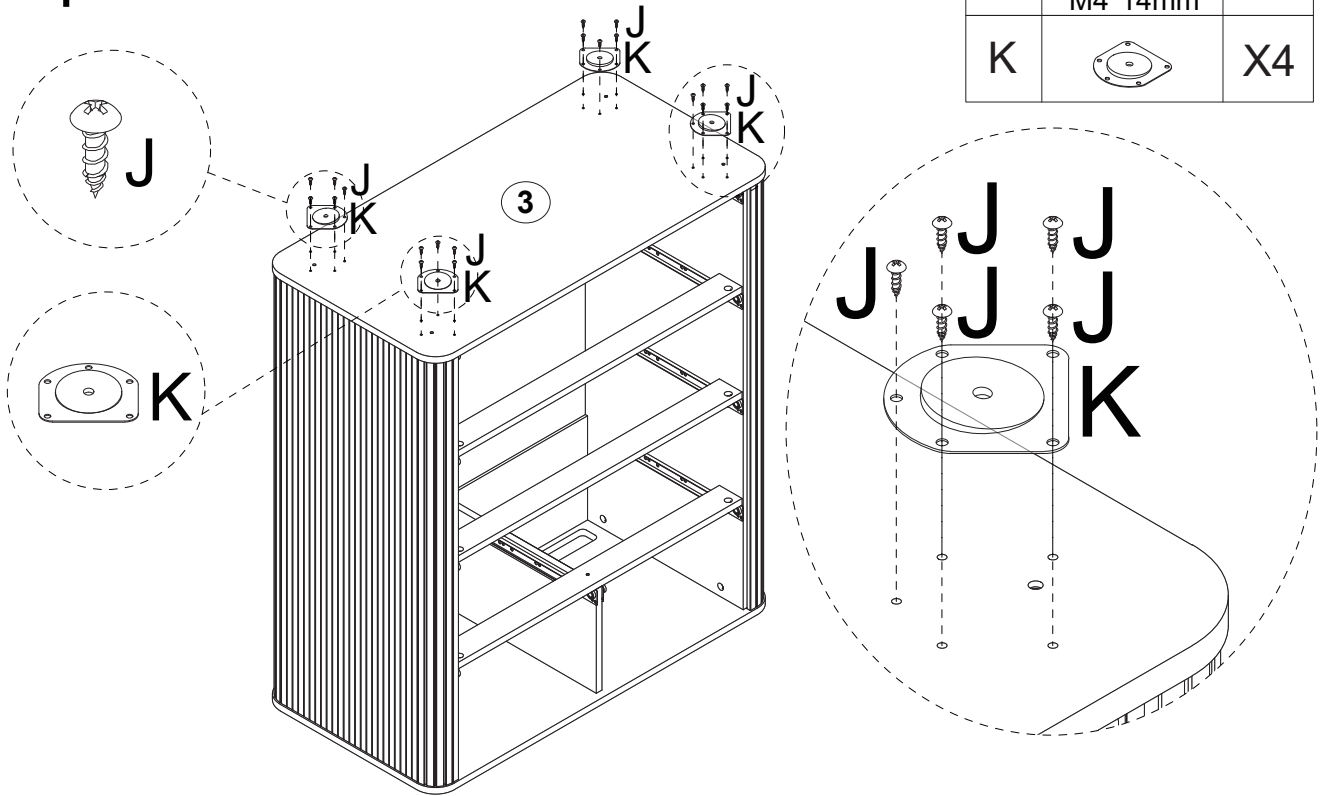


# Step:12

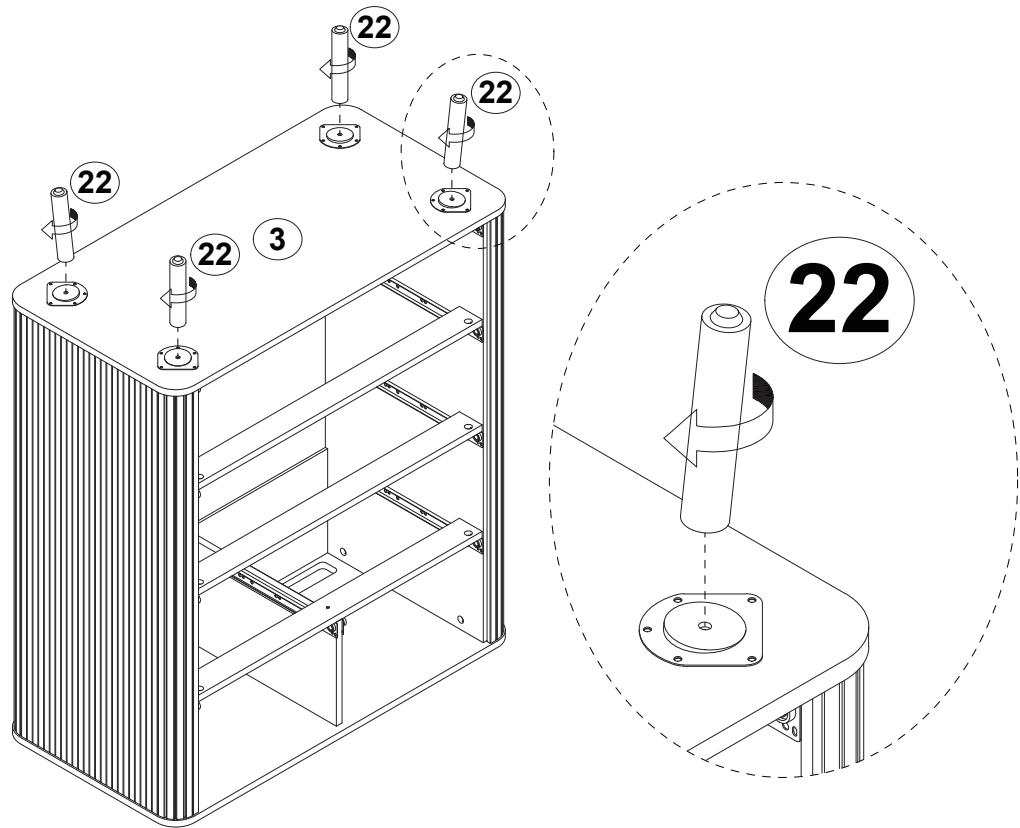
C		X4
D	 M4*40mm	X4



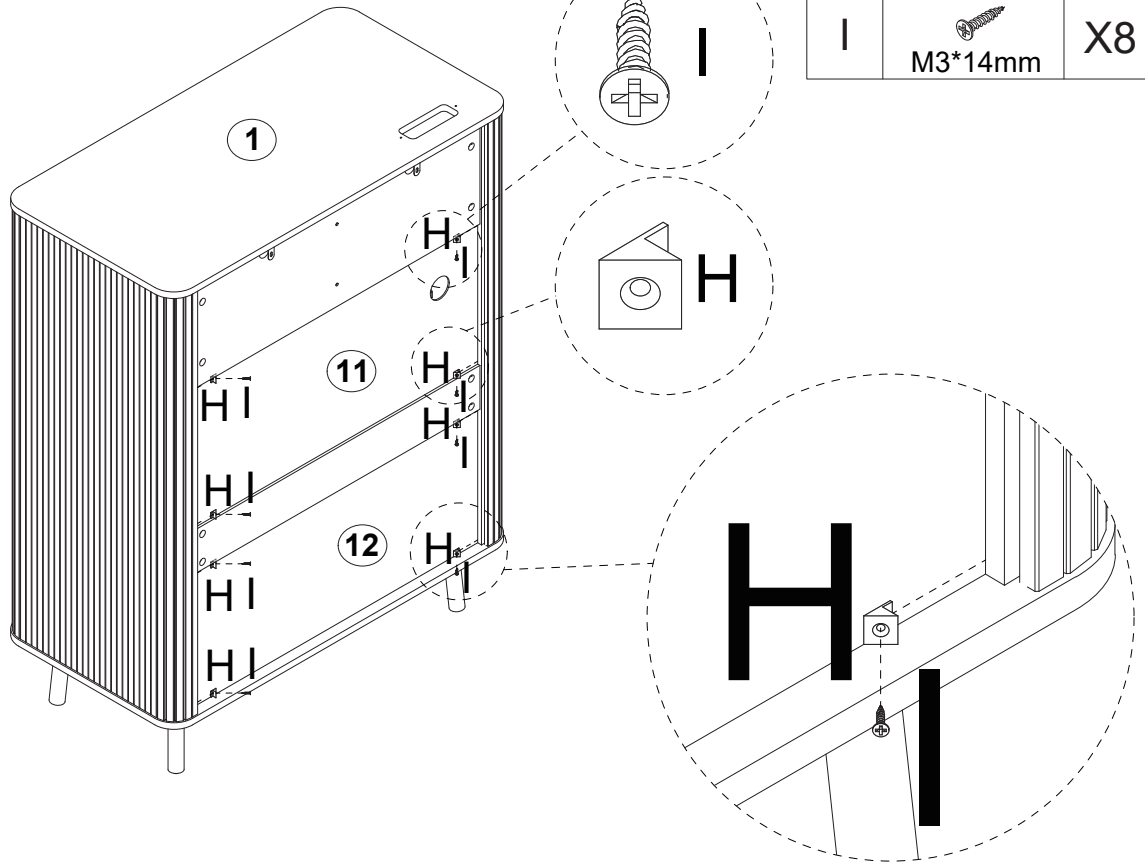
# Step:13



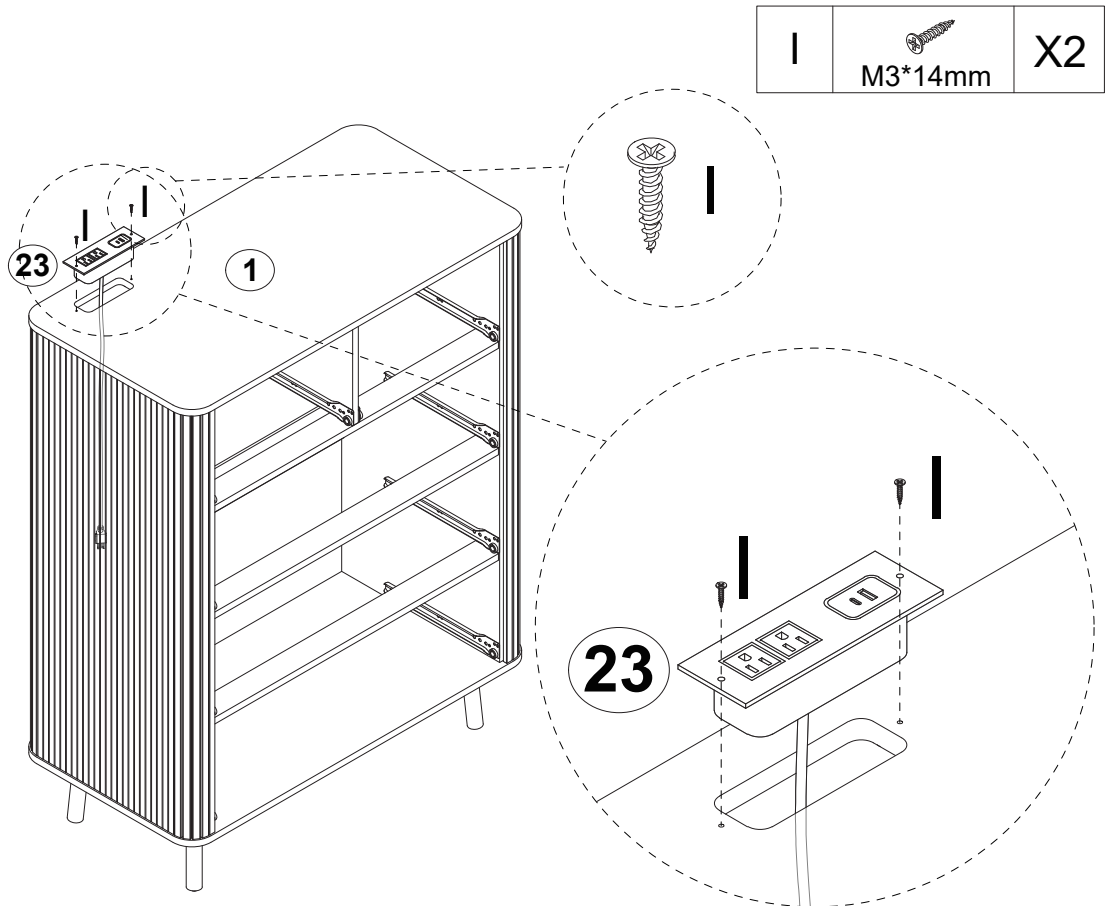
# Step:14





# Step:15

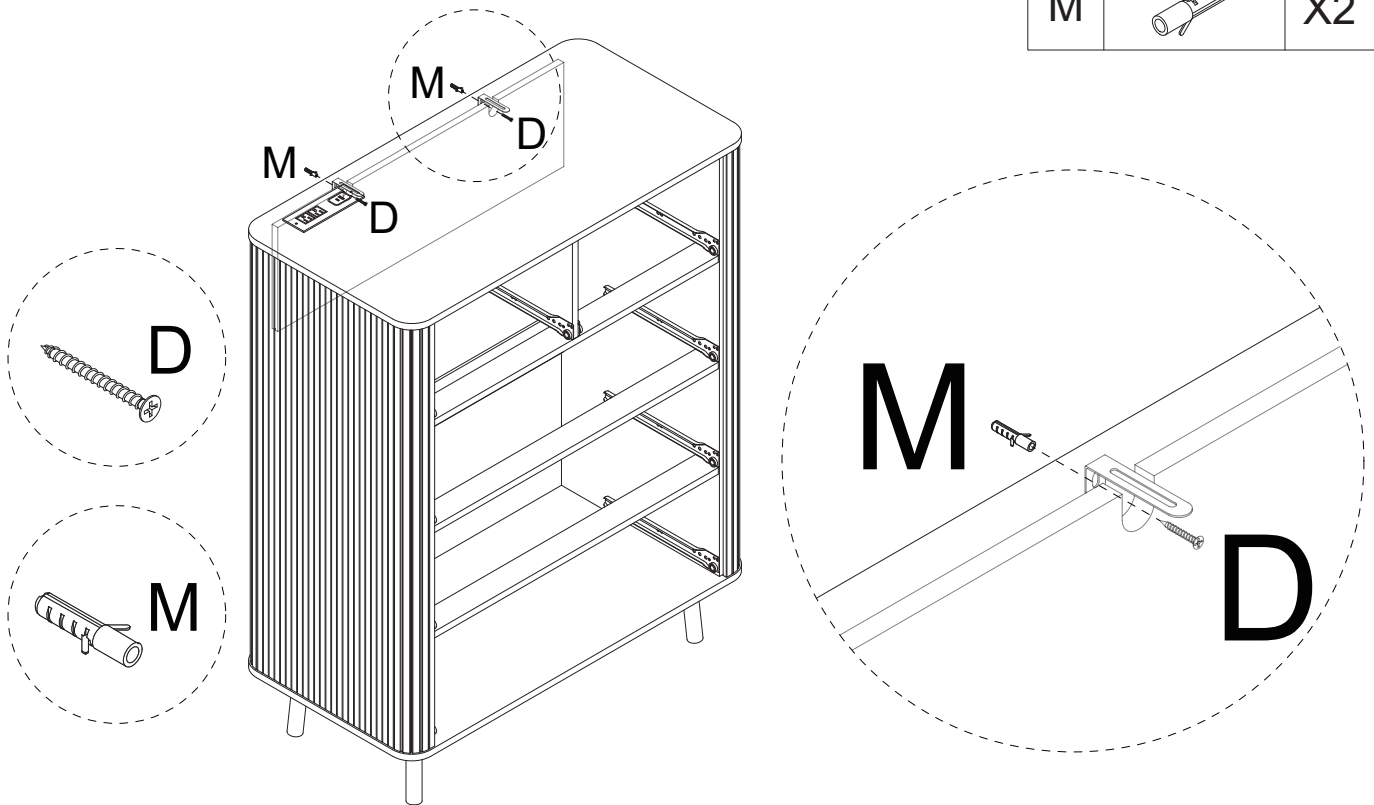


# Step:16



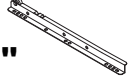


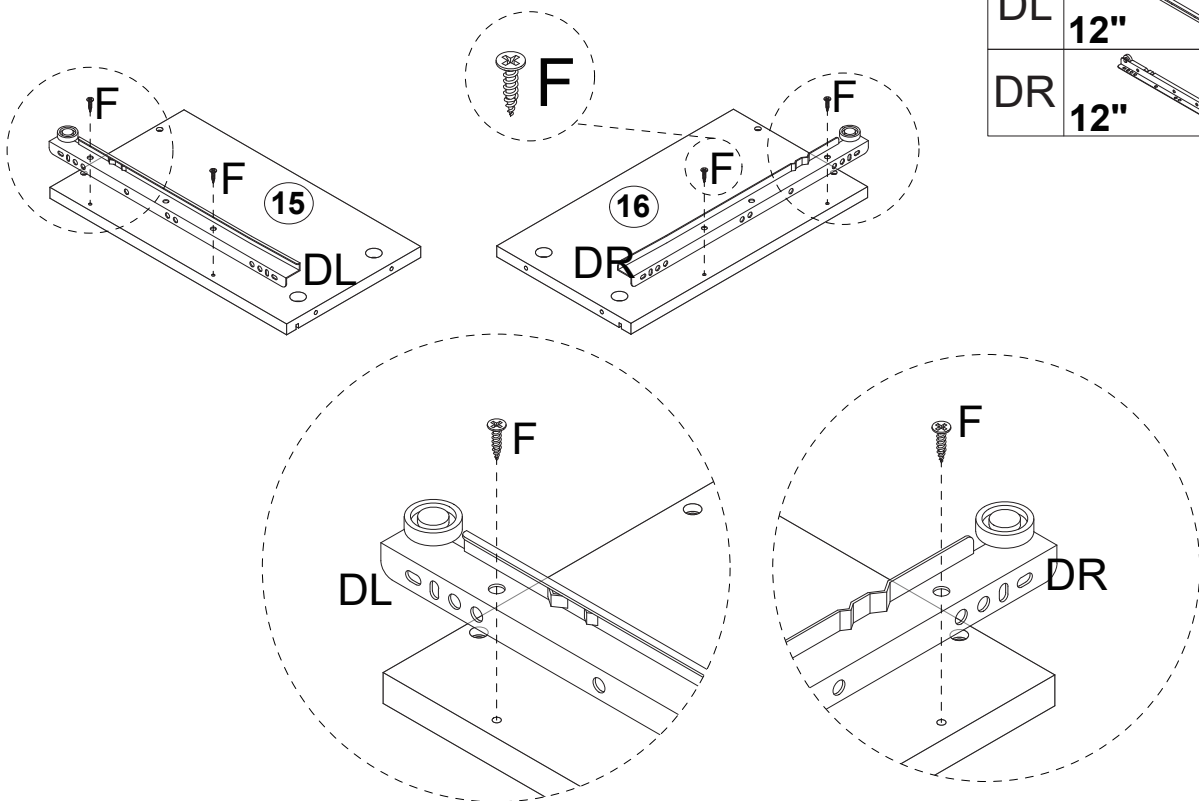
# Step:17

D	 M4*40mm	X2
M		X2



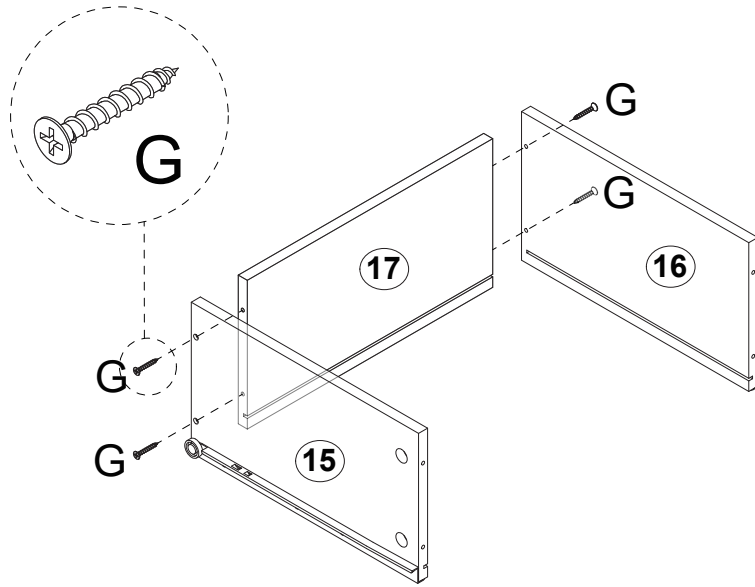
# Step:18 X5

F	 M3*12mm	X20
DL	12" 	X5
DR	12" 	X5

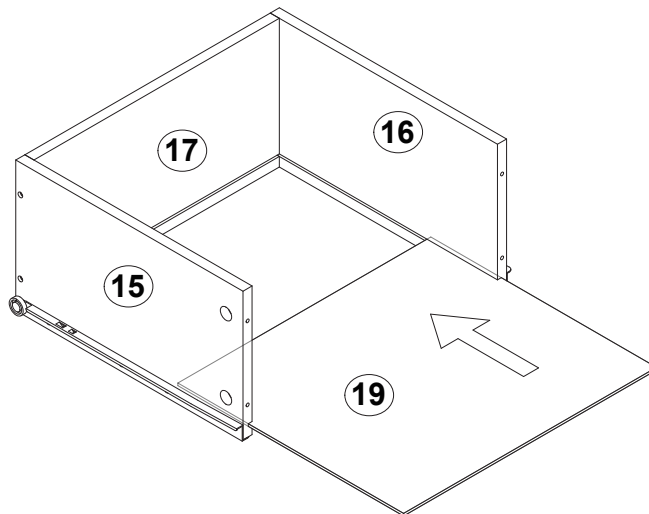


# Step:19 X2

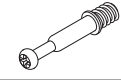
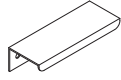

G	 M4*25mm	X8
---	--	----

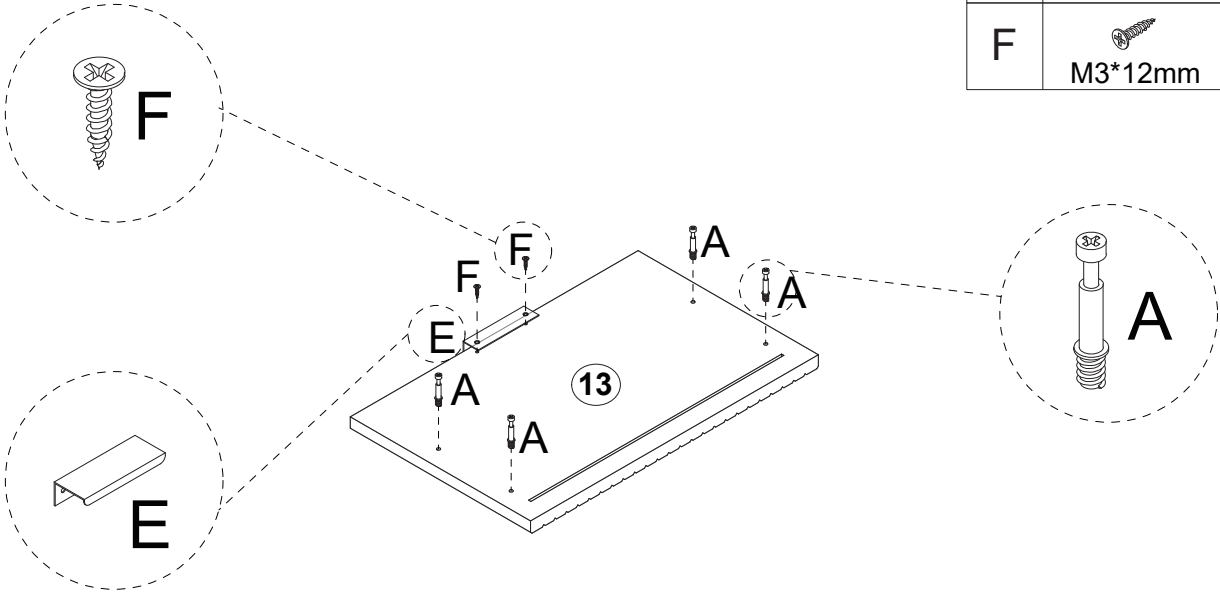


# Step:20 X2





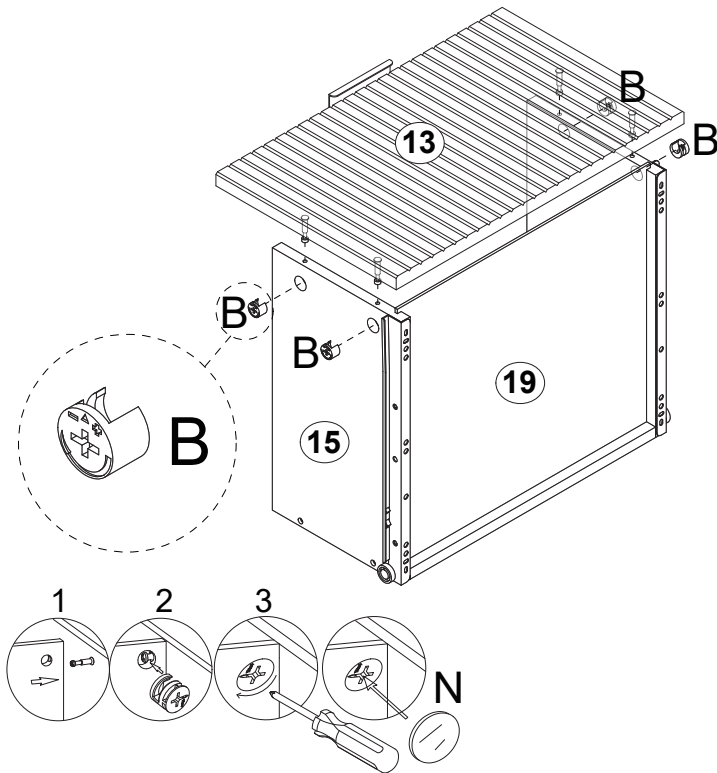
# Step:21 X2

A		X8
E		X2
F	 M3*12mm	X4



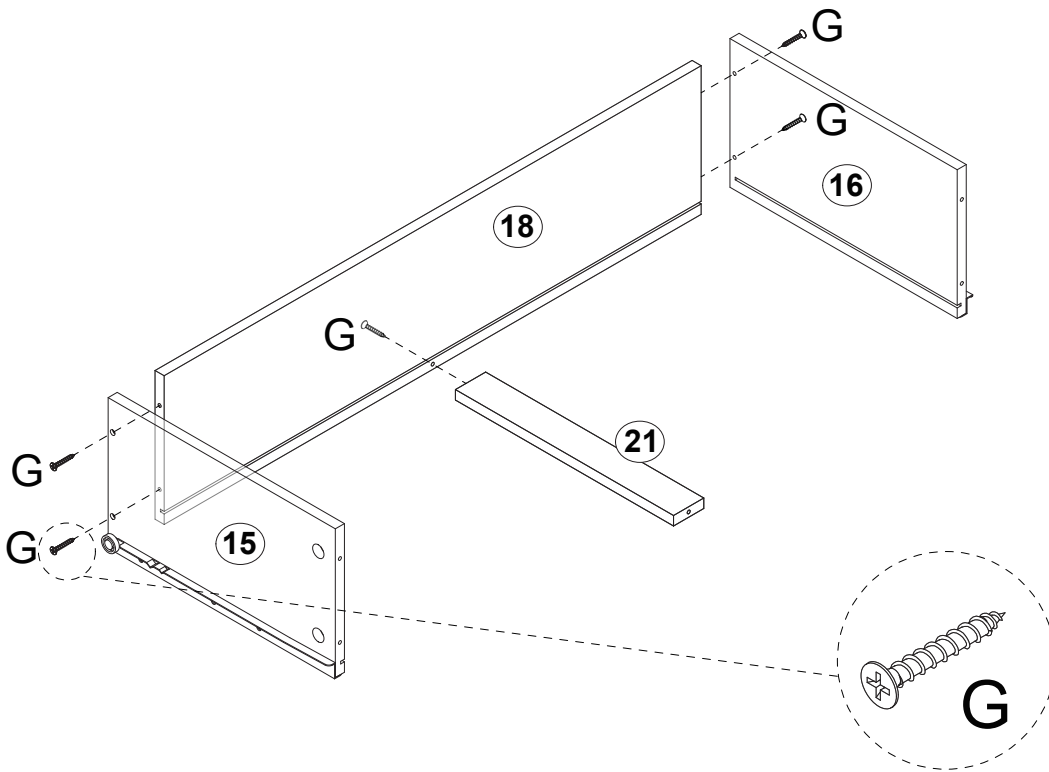
# Step:22 X2

B		X8
N		X8

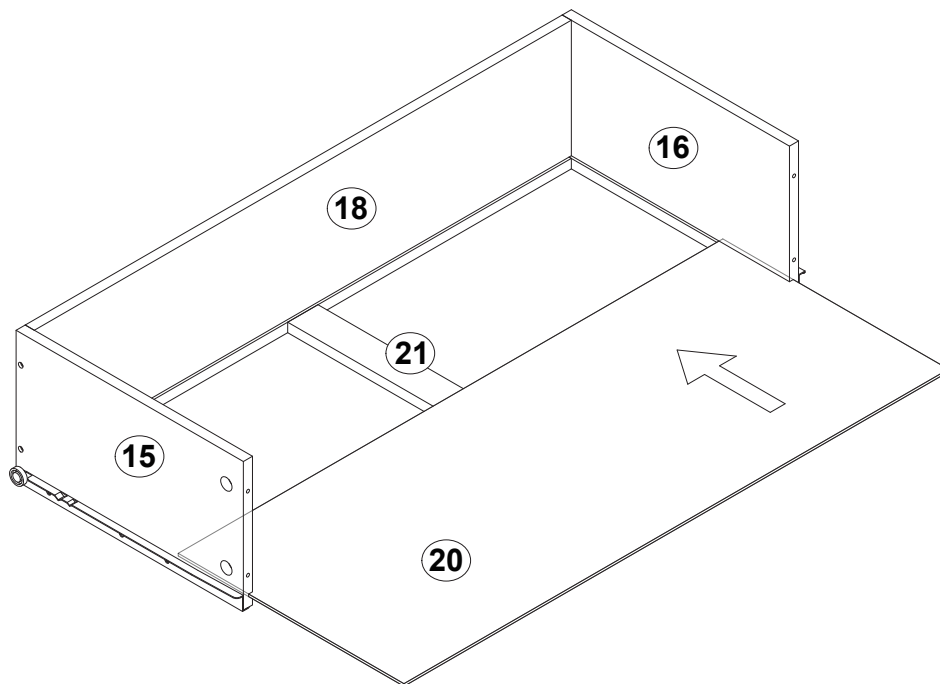


# Step:23 X3

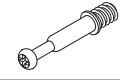
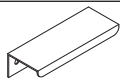

G	 M4*25mm	X15
---	--	-----

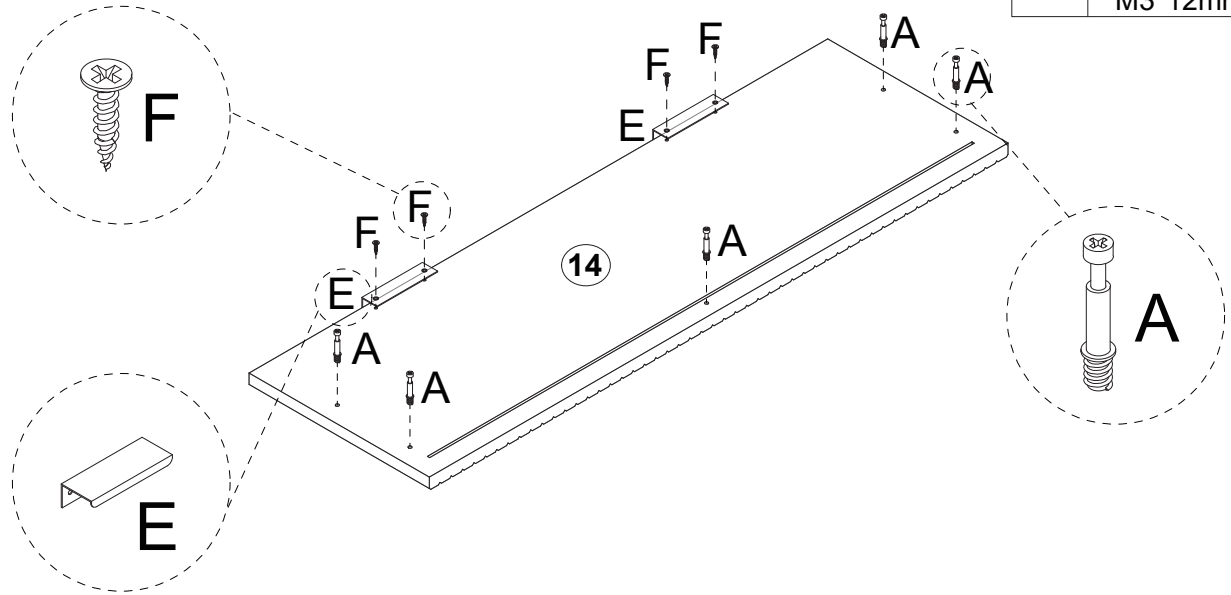


# Step:24 X3





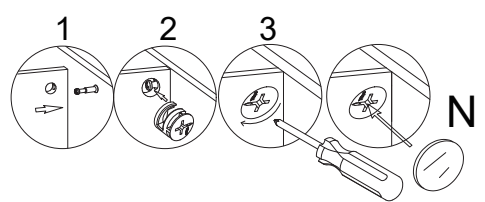
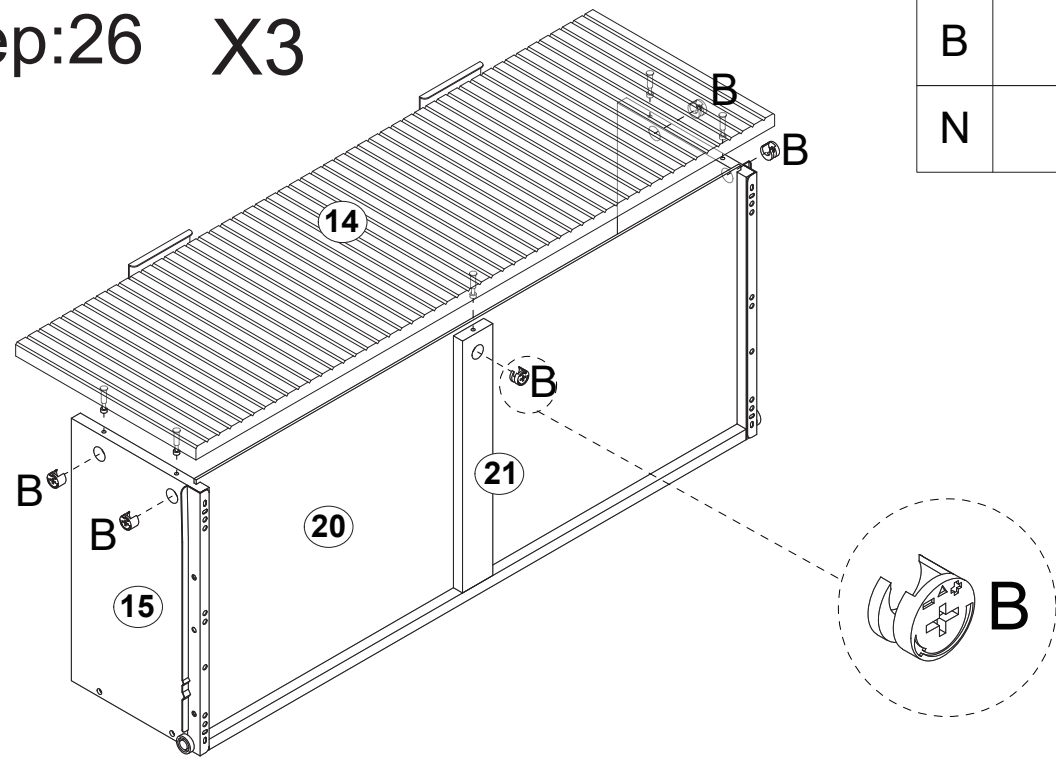
# Step:25 X3

A		X15
E		X6
F	 M3*12mm	X12

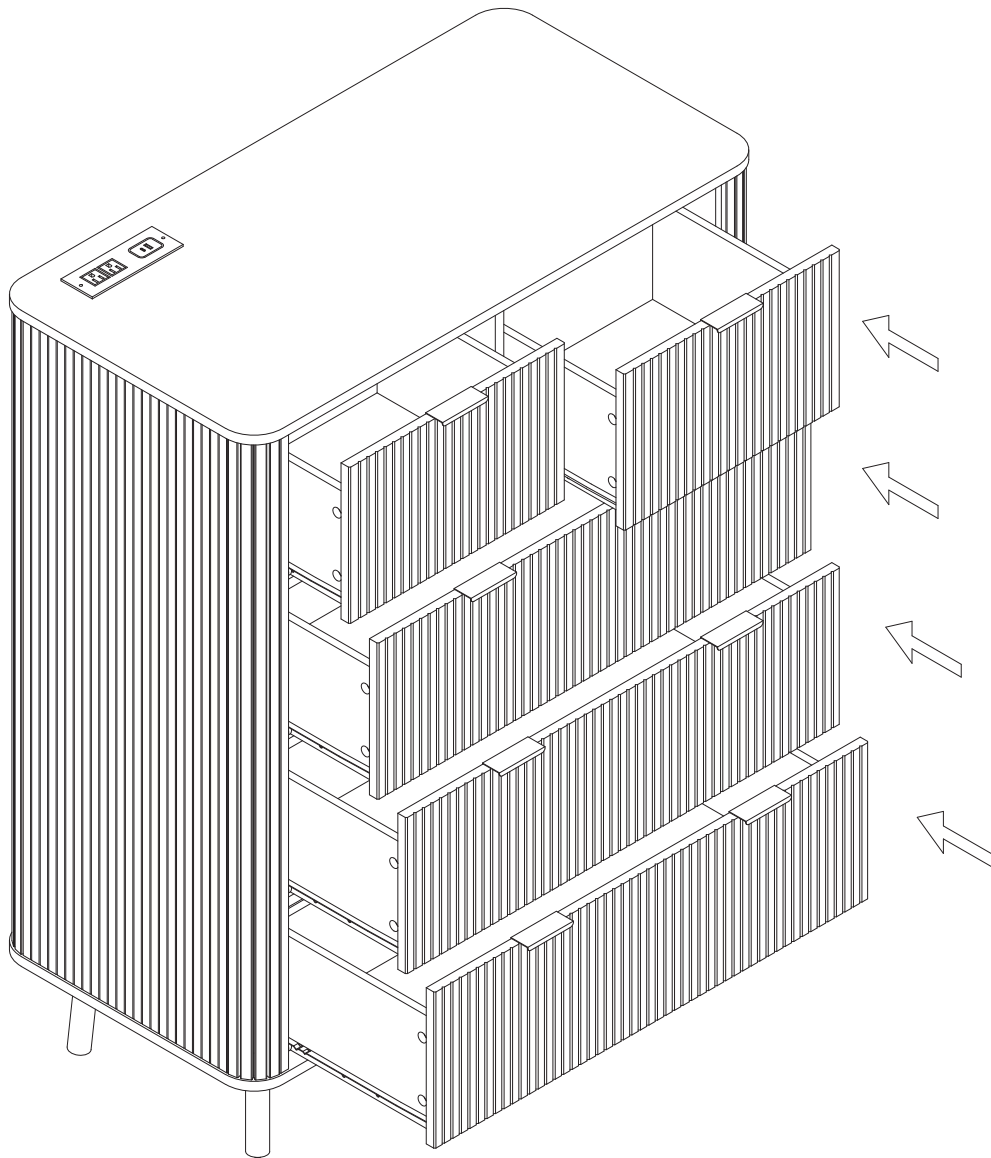


# Step:26 X3

B		X15
N		X15



# Step:27



# Step:28

