

ASSEMBLY INSTRUCTIONS DINING TABLE

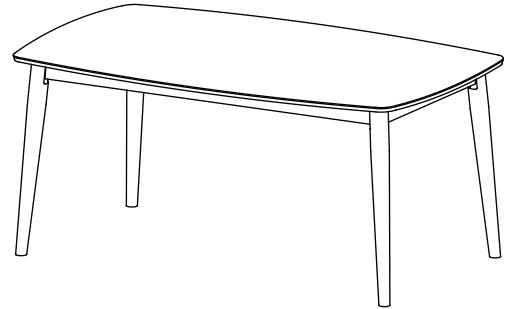
ASSEMBLY
REQUIREMENTS:

2-Person
Assembly

30 Minutes
Assembly Time
(Approximate)

Thank you for purchasing our product!

Please refer and use this assembly instruction to assemble the product. Contact our customer service department in case there are any missing or damage parts or hardware. Replacement parts are normally shipped within 2 or 3 days.



PRODUCTS PURCHASED THROUGH OUR AUTHORIZED VENDORS ONLY ARE ELIGIBLE FOR REPLACEMENT PARTS

We appreciate your business!

THIS PRODUCT IS FOR INDOOR AND HOUSEHOLD USE ONLY - NOT FOR COMMERCIAL USE.

ASSEMBLY PREPARATION

1. Remove all packaging materials, staples and packing straps from the carton.
2. Refer to Parts List and Hardware List and ensure all the parts, hardware and quantities are correct before assembly. Contact customer service for missing parts.
3. Place all wooden parts on a clean, flat and soft surface (e.g. carpet or rug) to prevent parts from getting scratched.

SAFETY PRECAUTION

1. KEEP ALL HARDWARE PARTS OUT OF REACH OF CHILDREN.
2. DISPOSE PLASTIC PACKAGING MATERIAL IMMEDIATELY TO AVOID ANY RISK OF SUFFOCATION TO CHILDREN AND ANIMALS.






TIPS FOR ASSEMBLY

1. Allow ample room for assembly and in close proximity to where product will be placed.
2. Assemble the product on a surface that does not scratch or damage the exterior gloss and finish of the furniture.
3. Identify all of the parts, hardware and quantities required for each step.
4. During assembly, do not over-tighten any fittings as this may cause damage.
5. DO NOT USE POWER TOOLS TO ASSEMBLE THIS PRODUCT.
6. Always place the product on a flat surface.
7. Do not sit or stand on the partially assembled product; only use the product for which it is intended.

CARE AND MAINTENANCE

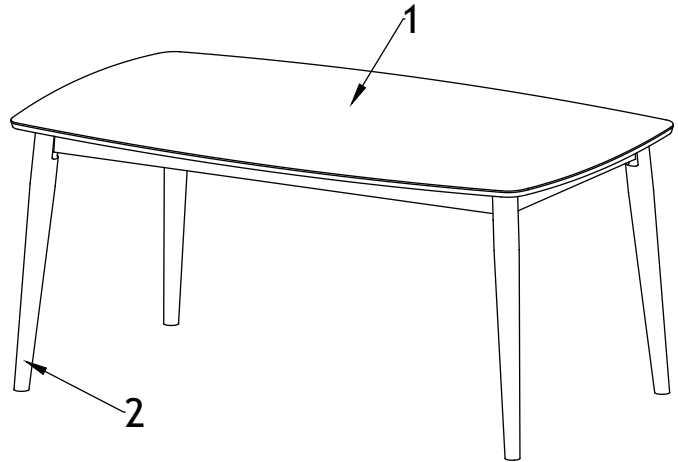
- Wipe clean with a soft, dry cloth; avoid the use of harsh chemicals or household cleaners as they may damage the exterior finish of the furniture.
- Hardware may loosen over time. Periodically, check that all connections are tight; re-tighten as necessary.
- Solid wood is impacted by heat and humidity fluctuations and may result in small joint separations or hairline cracks; place the furniture away from direct sunlight and air conditioning vents, heating vents or units to protect the furniture.

ASSEMBLY INSTRUCTIONS DINING TABLE

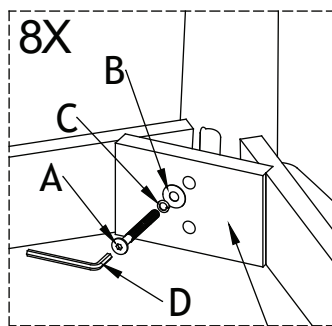
Hardware List			
No	Description	Qty	Extra
A	JCBB Screw M8 x 70mm 	8 pcs	1 pc
B	Flat Washer 5/16" 	8 pcs	2 pcs
C	Spring Washer 5/16" 	8 pcs	2 pcs
D	Allen Key M5 (Short) 	1 pc	
E	Leg Stud 		2 pcs

*Extra Hardware For Spare Use

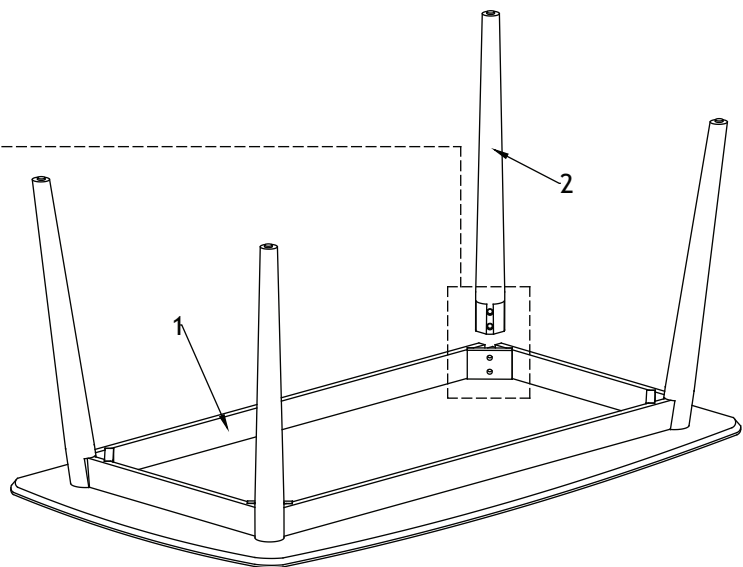
Parts List		
No	Description	Qty
1	Table Top	1pc
2	Table Leg	4pcs



STEP 1



Corner Block



- With the assistance of another person, place Table Top (1) bottom-side up on a surface that does not scratch or damage the part.
- Position each Table Leg (2) against the corner of the table apron and align the screw holes on (2) to the screw holes on the corner block.
- Insert Screw (A) fitted with Spring Washer (C) and Flat Washer (B) through each hole on the corner block into screw hole on (2). Use Allen Key (D) to drive (A) to fasten Table Leg (2) to corner block. Do not tighten (A) completely until both screws are in place on each leg. Do not over-tighten.
- Repeat the above assembly procedure for the other three legs.
- After all the legs are installed, with the assistance of another person, turn the table right-side up.

The assembly of the table is complete.