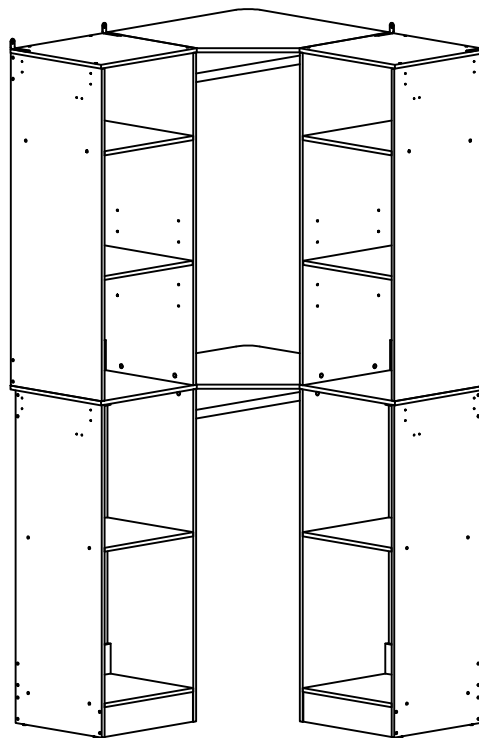


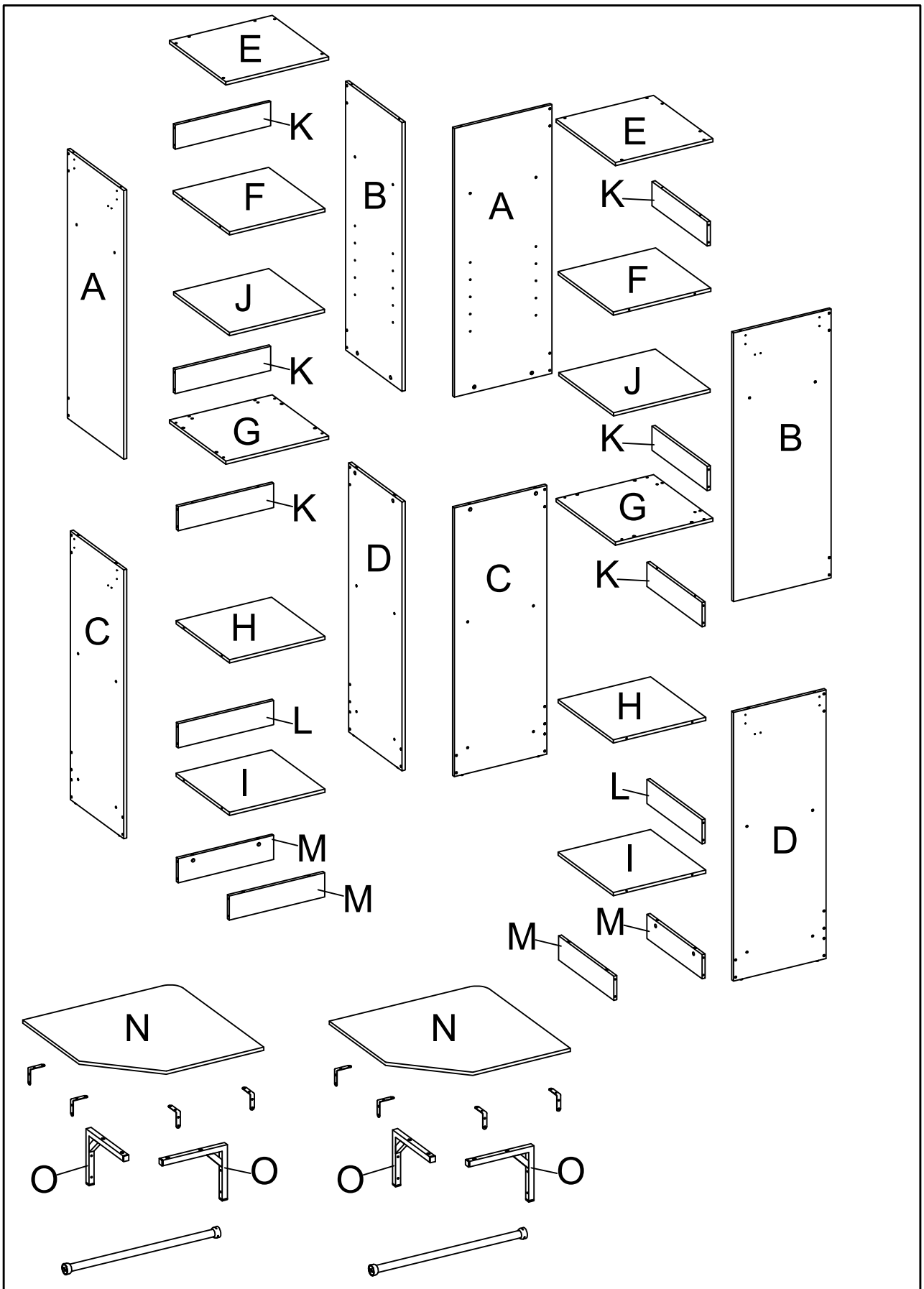
Corner Closet System with 12 Shelves

Assembly Instructions

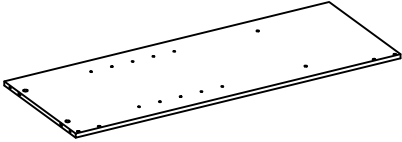
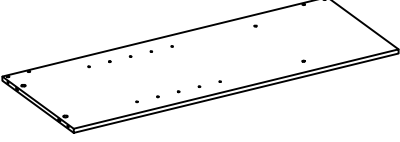
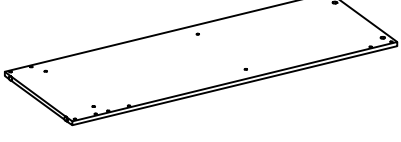
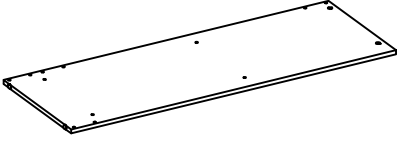
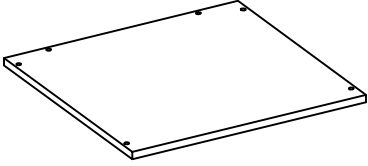
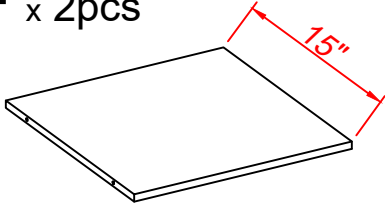
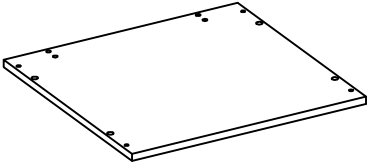
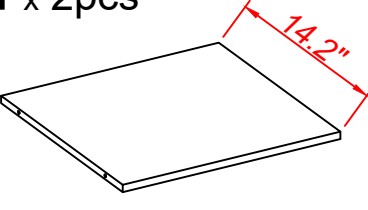
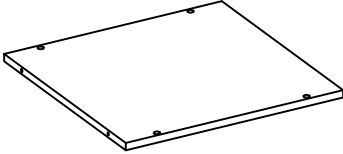
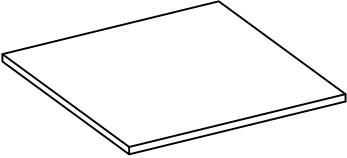
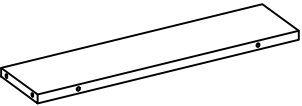
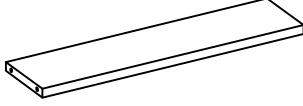
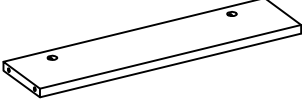
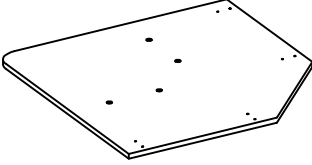
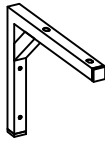


Attention: Please ensure you have all parts before commencing assembly.
Please read all the instructions before commencing.

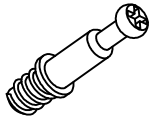

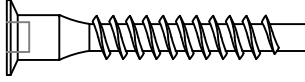
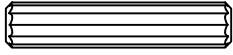
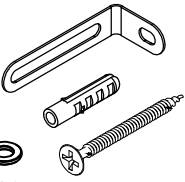
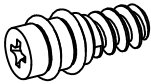
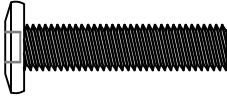
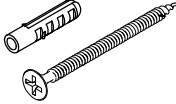


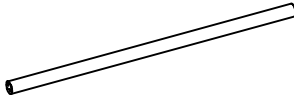



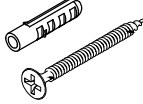
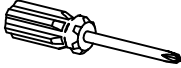
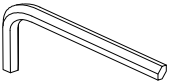
PART LIST



PART LIST

<p>A x 2pcs</p> 	<p>B x 2pcs</p> 	<p>C x 2pcs</p> 
<p>D x 2pcs</p> 	<p>E x 2pcs</p> 	<p>F x 2pcs</p> 
<p>G x 2pcs</p> 	<p>H x 2pcs</p> 	<p>I x 2pcs</p> 
<p>J x 2pcs</p> 	<p>K x 6pcs</p> 	<p>L x 2pcs</p> 
<p>M x 4pcs</p> 	<p>N x 2pcs</p> 	<p>O x 4pcs</p> 

HARDWARE LIST

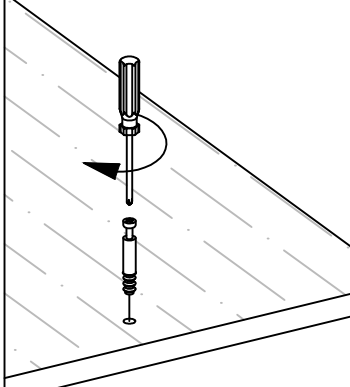
<p>①</p>  <p>M6x28 24 pcs</p>	<p>②</p>  <p>Ø12 24 pcs</p>	<p>③</p>  <p>M6x40 92 pcs</p>	<p>④</p>  <p>M6x30 8 pcs</p>
<p>⑤</p>  <p>M4x40 4 pcs</p>	<p>⑥</p>  <p>M6x19 8 pcs</p>	<p>⑦</p>  <p>M6x27 8 pcs</p>	<p>⑧</p>  <p>M4x60 8 pcs</p>
<p>⑨</p>  <p>8 pcs</p>	<p>⑩</p>  <p>M4x12 32 pcs</p>	<p>⑪</p>  <p>Ø25x584 2 pcs</p>	<p>⑫</p>  <p>4 pcs</p>
<p>⑬</p>  <p>4 pcs</p>	<p>⑭</p>  <p>M4x12 4 pcs</p>	<p>⑮</p>  <p>M4x40 4 pcs</p>	<p>⑯</p>  <p>1 pc</p>
<p>⑰</p>  <p>M4 1 pc</p>			

Please count and verify all parts before assembly .

How to install Camlocks

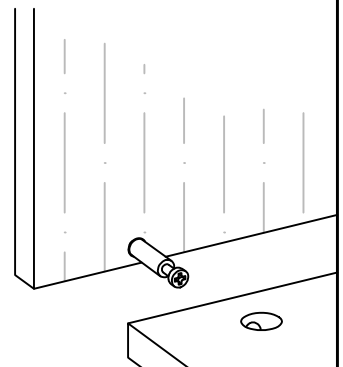
Connect the male camlock as directed in the assembly instructions with a screwdriver.

1 DO NOT OVER TIGHTEN



Put the male camlock into the entry hole.

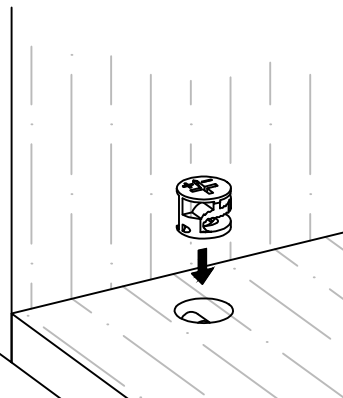
2



Insert the female camlock as shown in the instruction.

Note: ensure that the arrow on the top of the camlock points toward the entry hole for the male camlock.

3

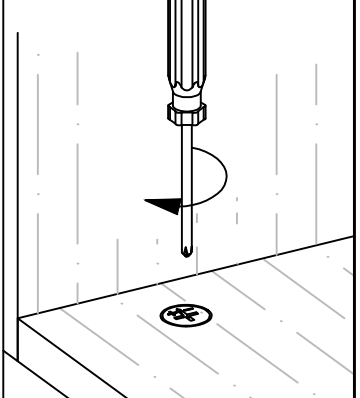


Screw the female camlock clockwise with a screwdriver.

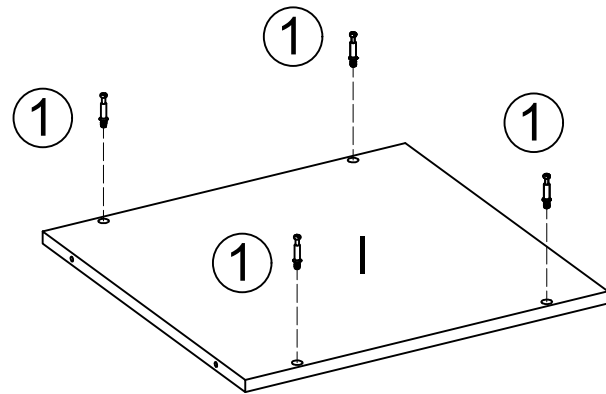
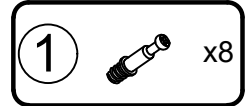
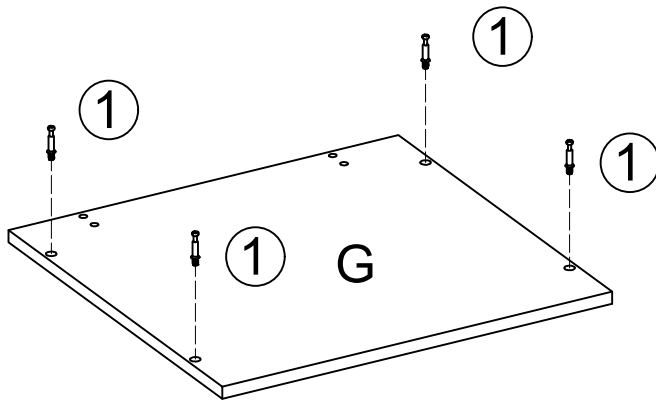
You will feel a click when the camlock is locked in place.

The camlock is now completed.

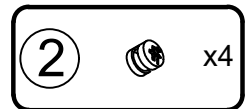
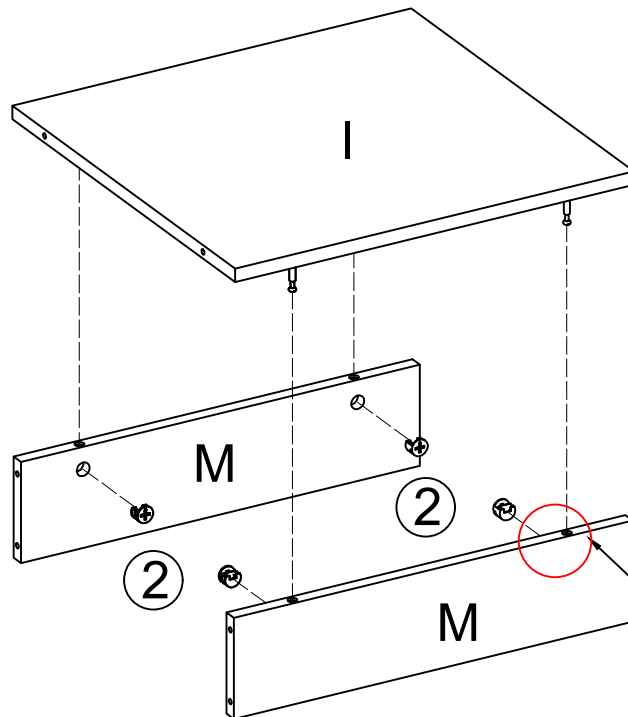
4



STEP 1



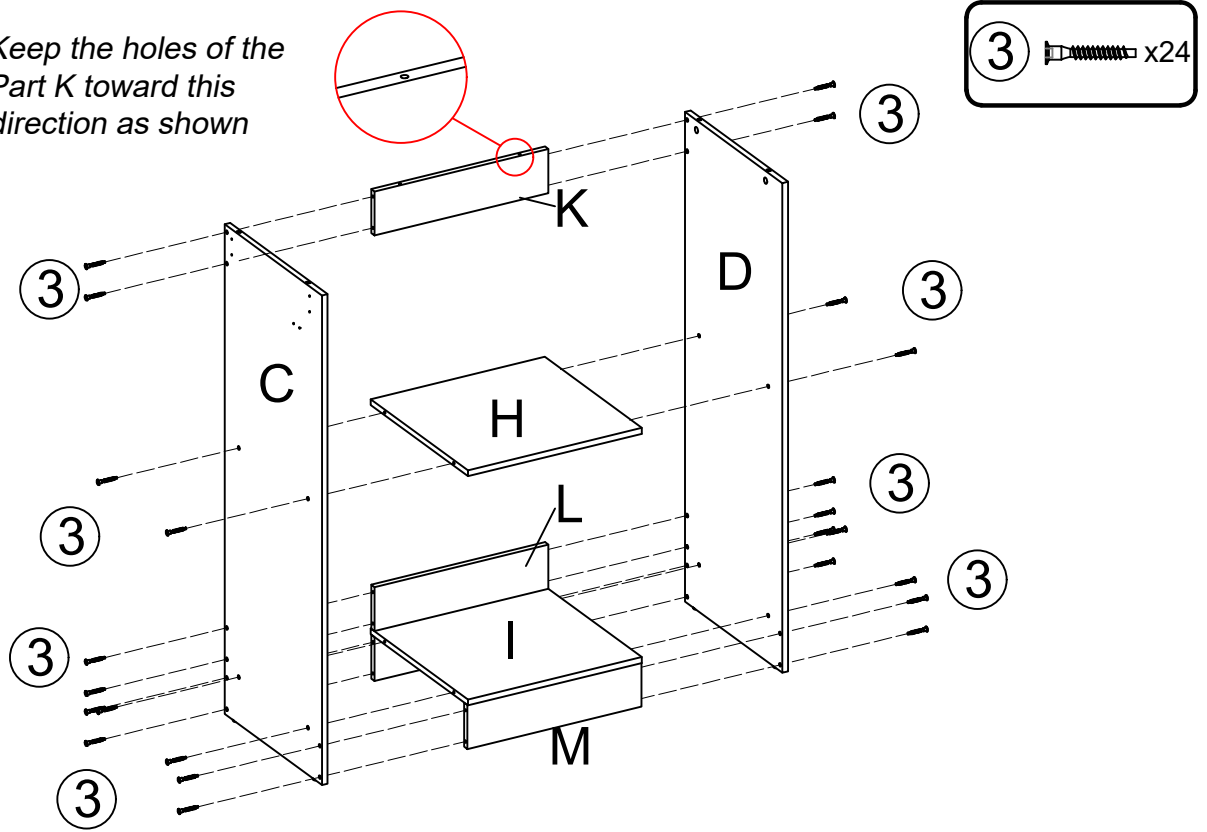
STEP 2



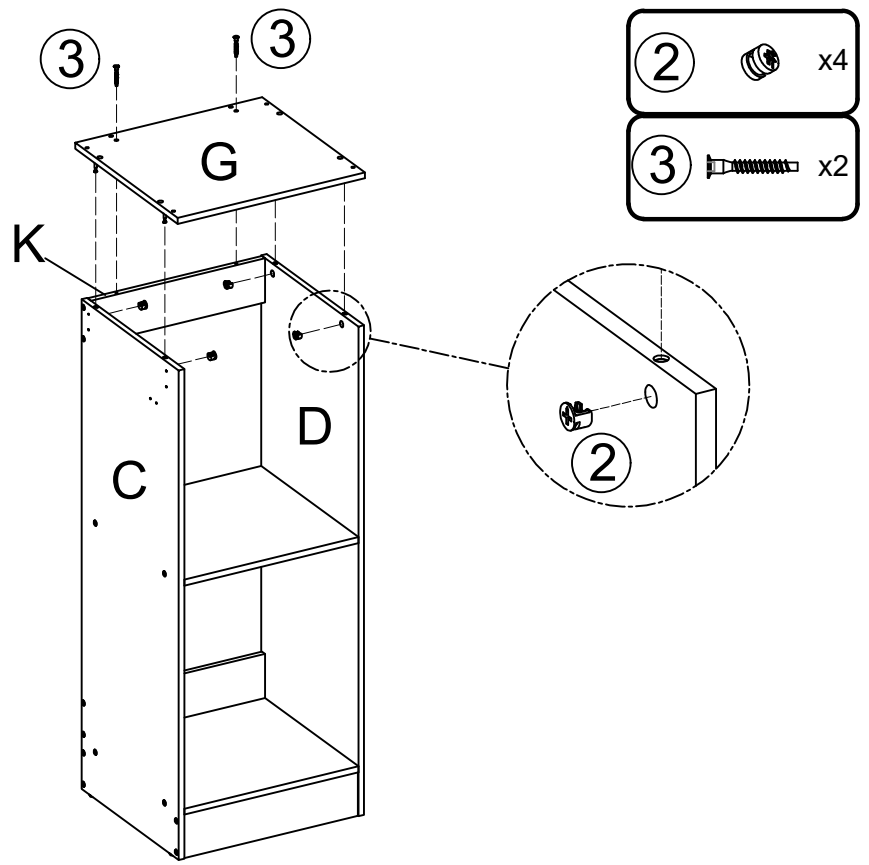
Keep the holes of the Part M toward this direction as shown

STEP 3

Keep the holes of the Part K toward this direction as shown

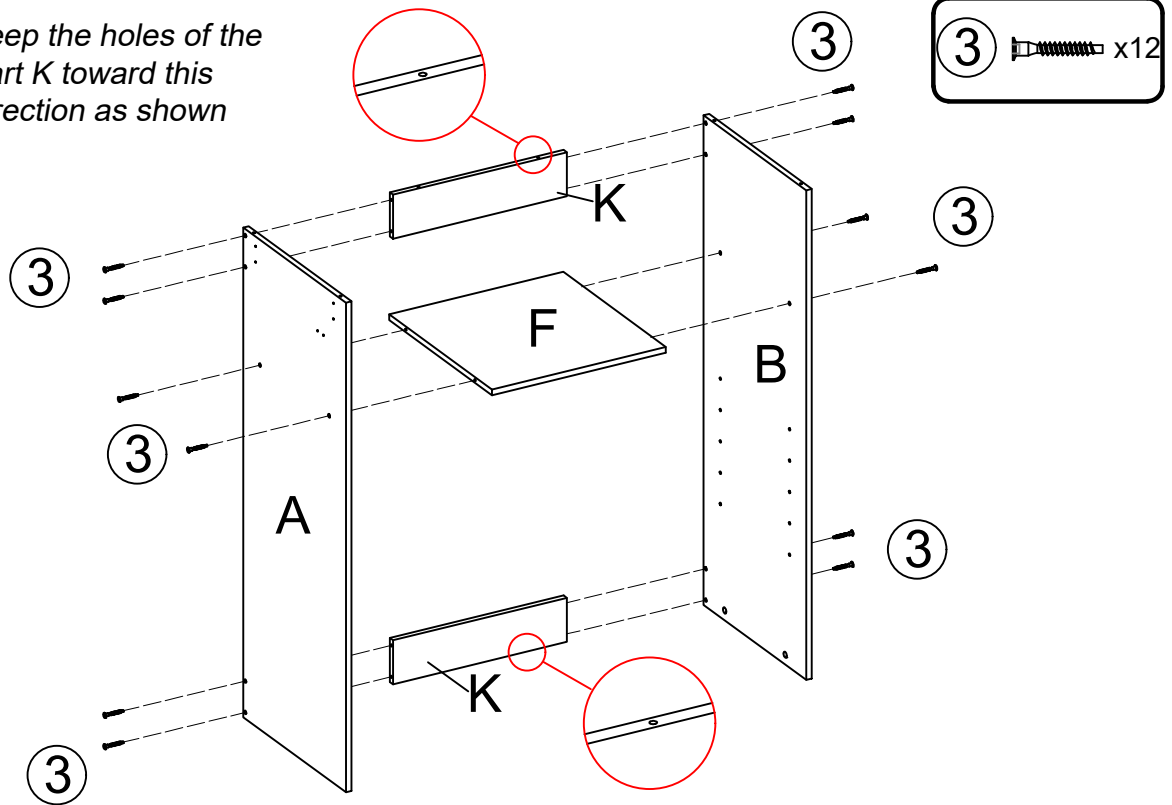


STEP 4

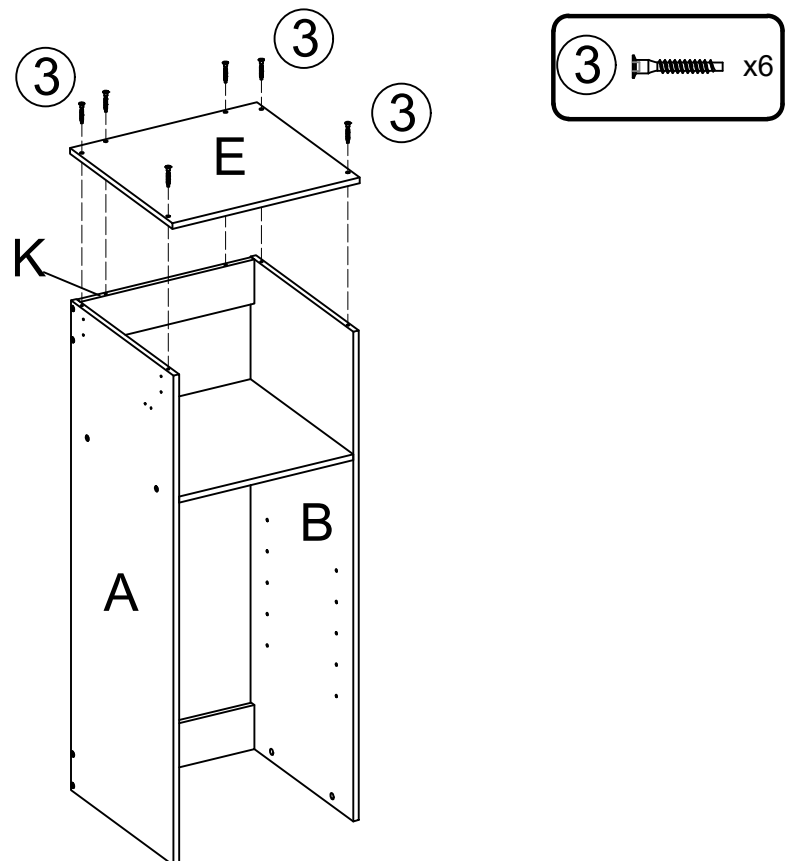


STEP 5

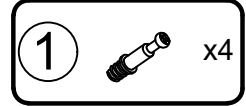
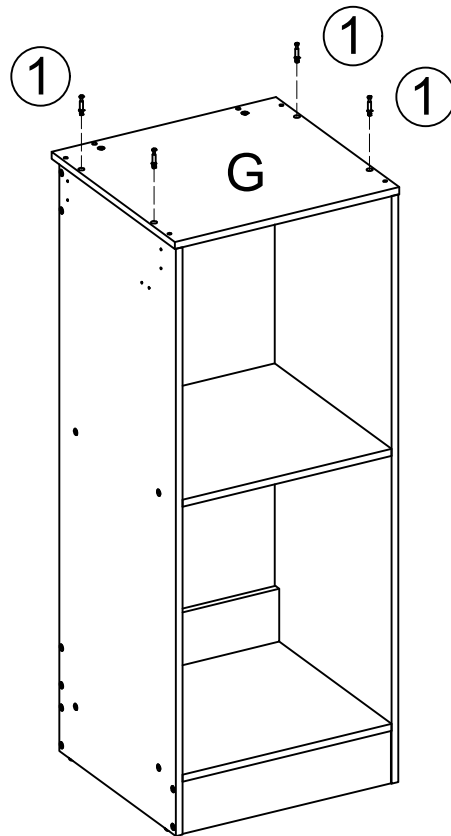
Keep the holes of the Part K toward this direction as shown



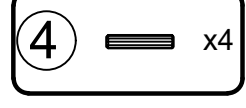
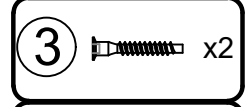
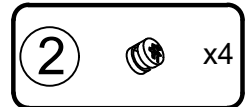
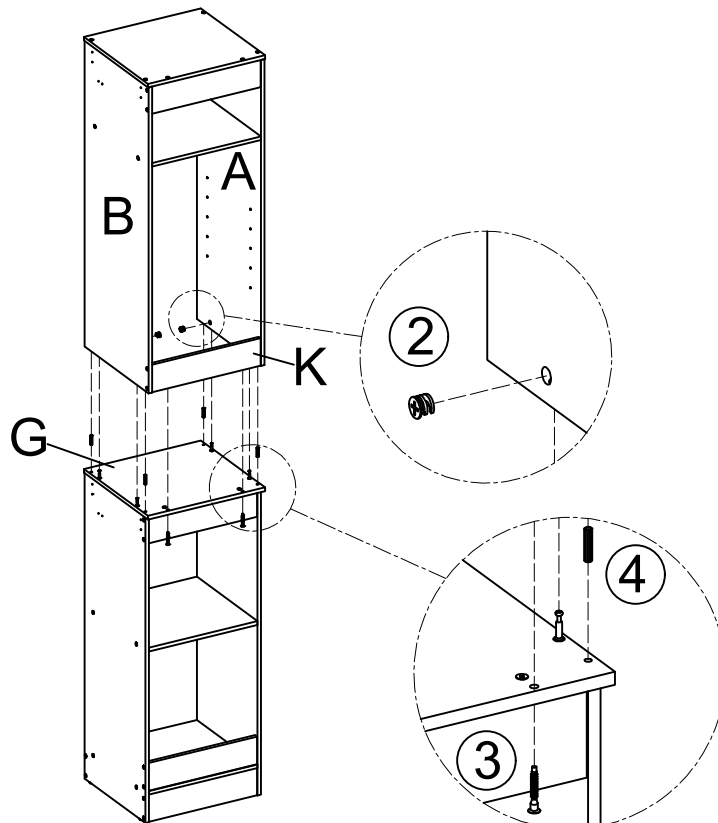
STEP 6



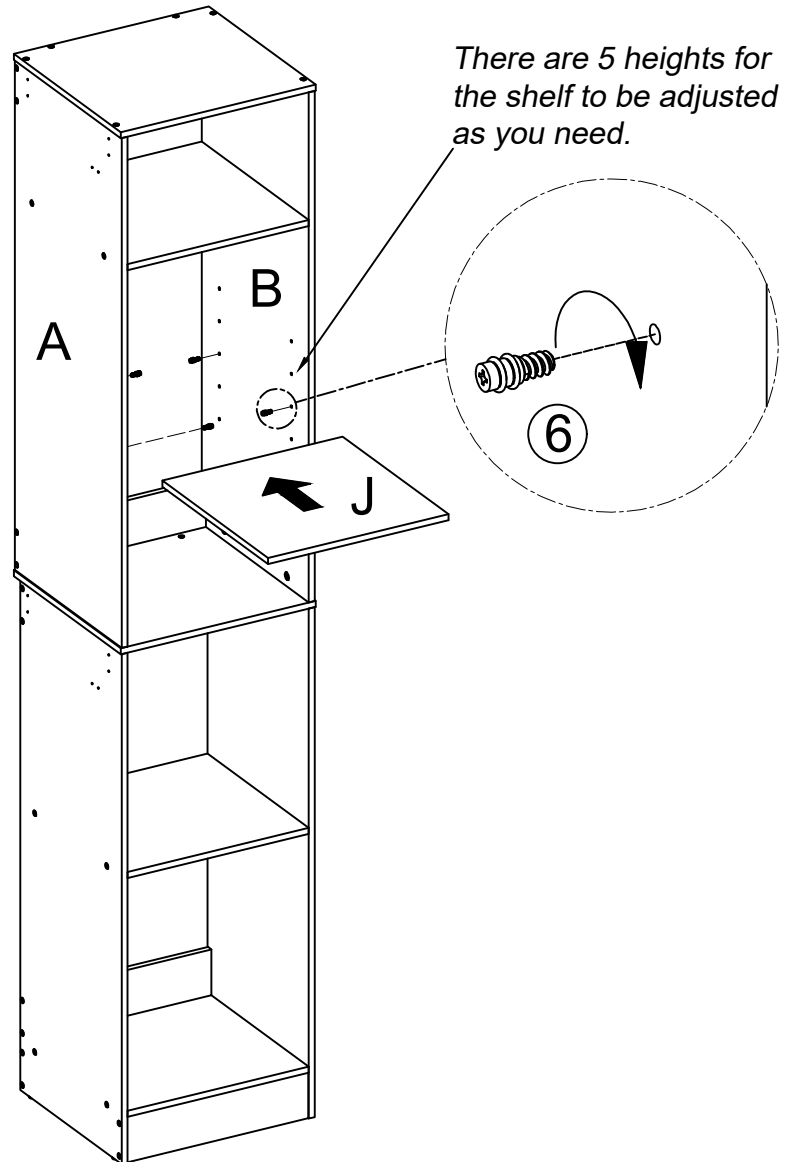
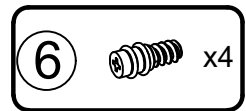
STEP 7



STEP 8



STEP 9

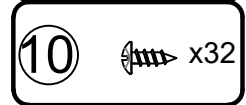
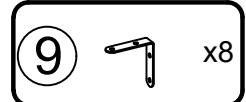
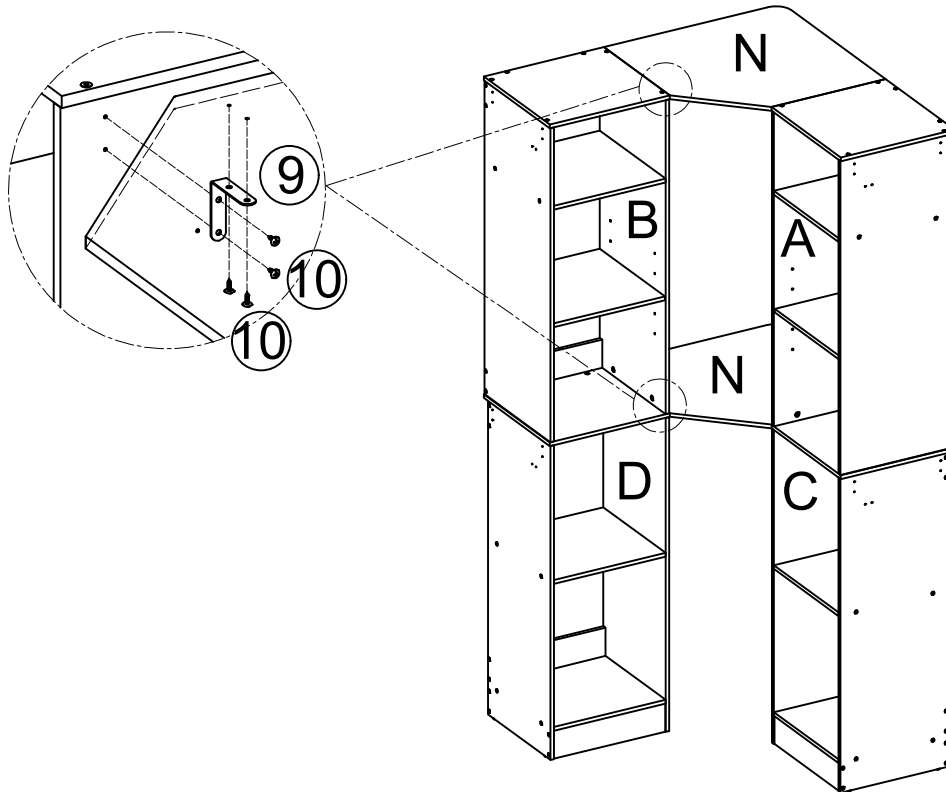


NOTICE:

The installation for all the two side closets is base on the 1-9 steps above.

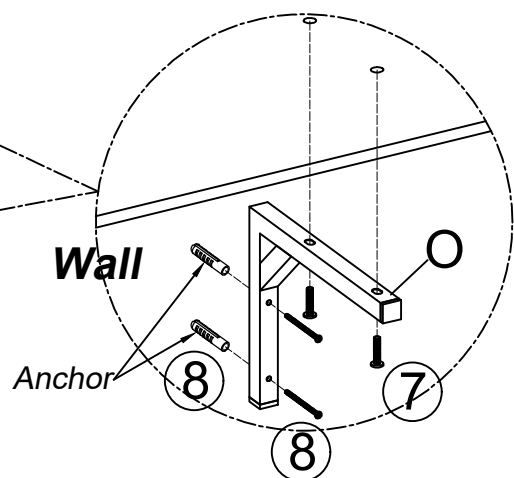
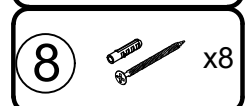
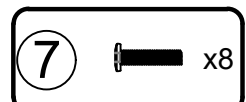
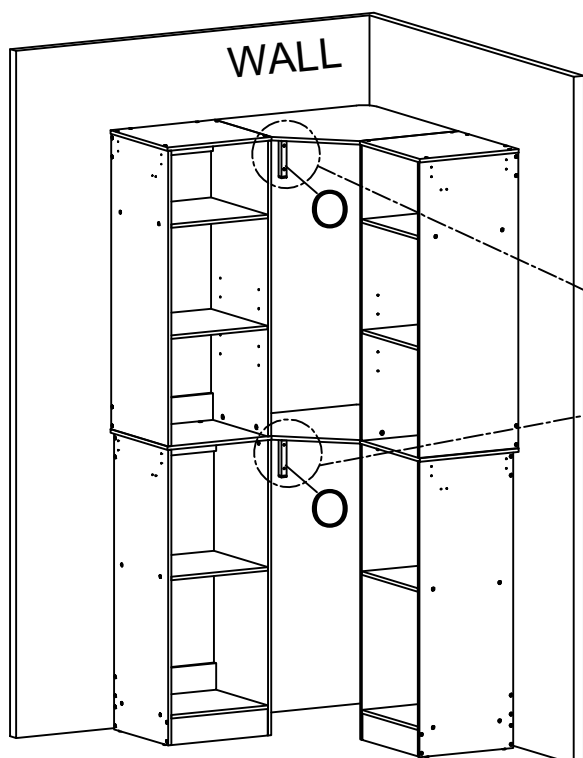
STEP 10

Corner Shelf Installation



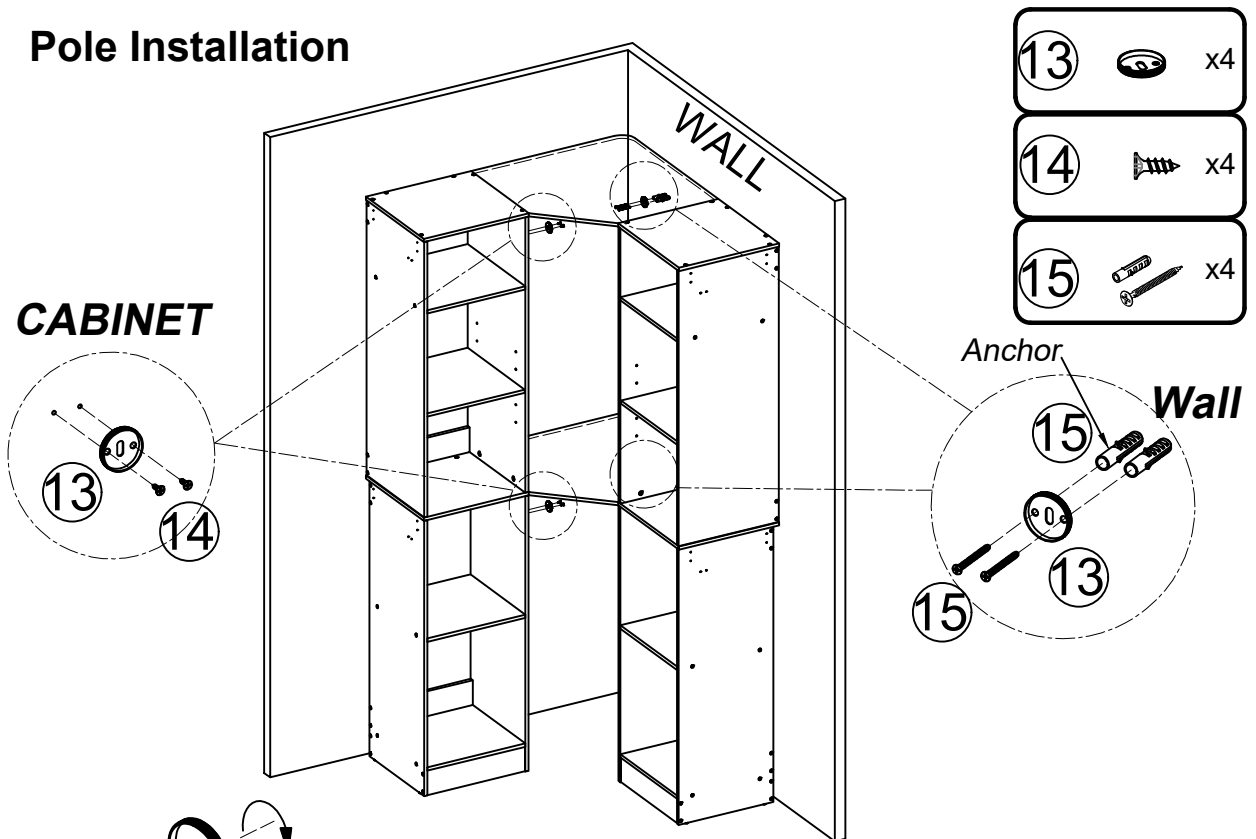
STEP 11

Shelf Support Installation



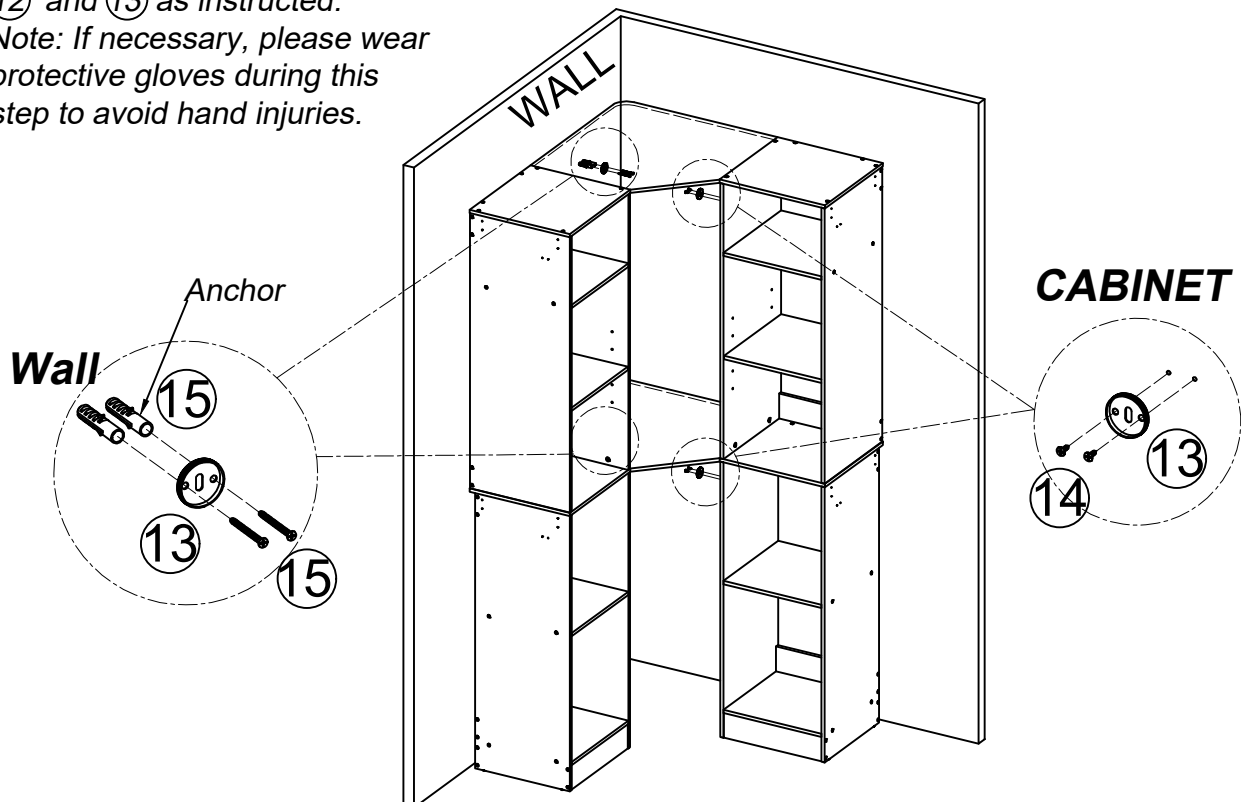
STEP 12

Pole Installation



OR

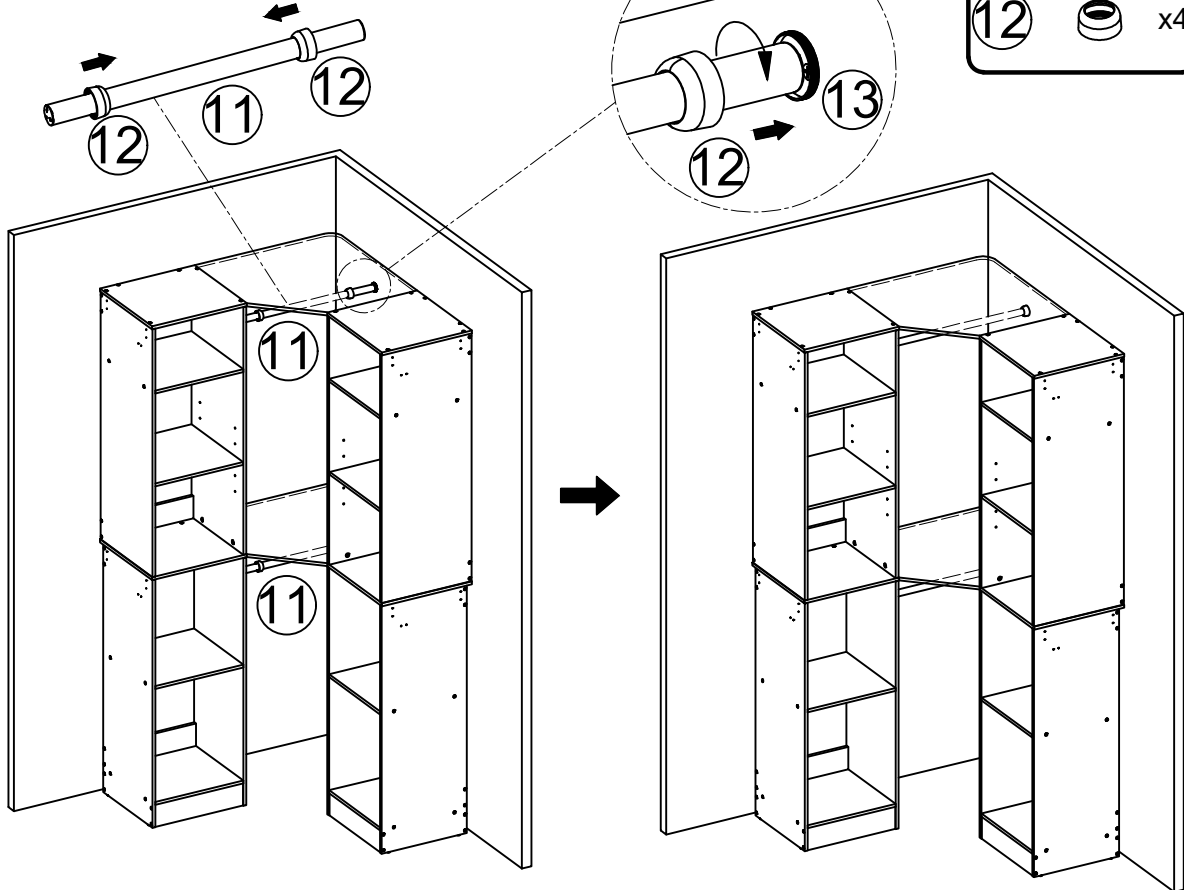
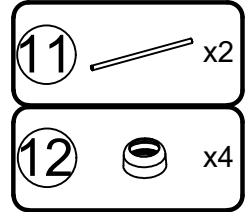
Please rotate and remove parts 12 and 13 as instructed.
Note: If necessary, please wear protective gloves during this step to avoid hand injuries.



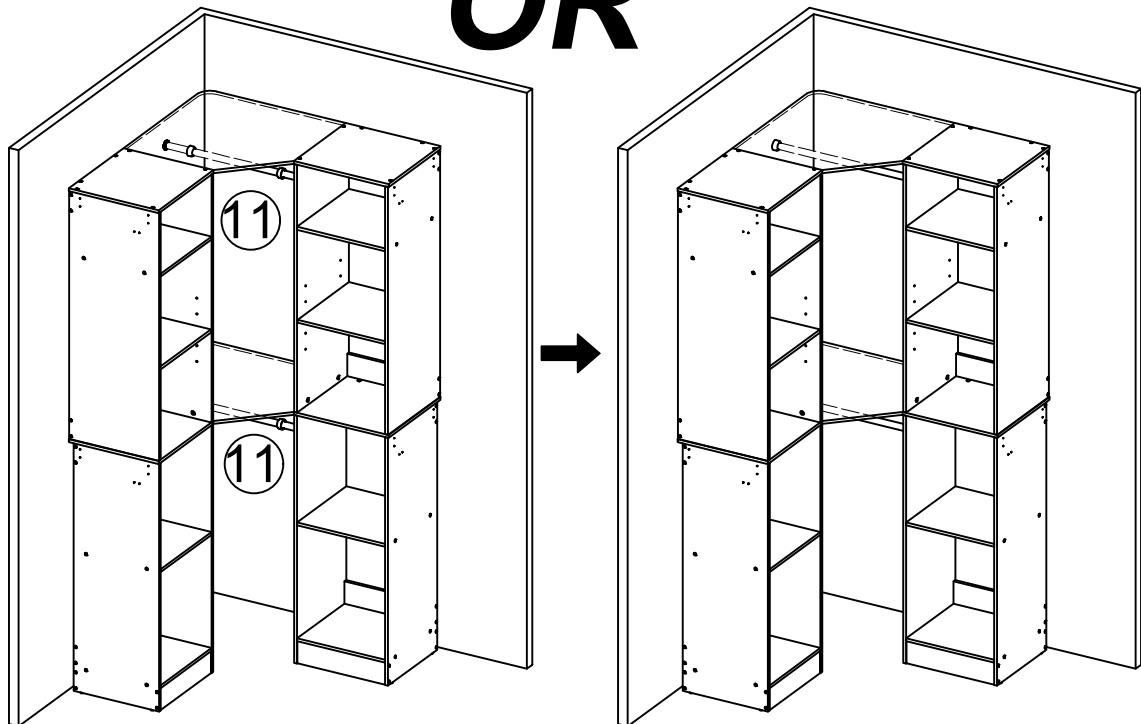
STEP 13

Please slide part (12) onto the rod part (11) with the threads facing outwards.

reinstall part (12) to part (13).

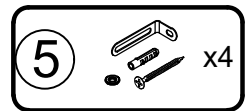


OR



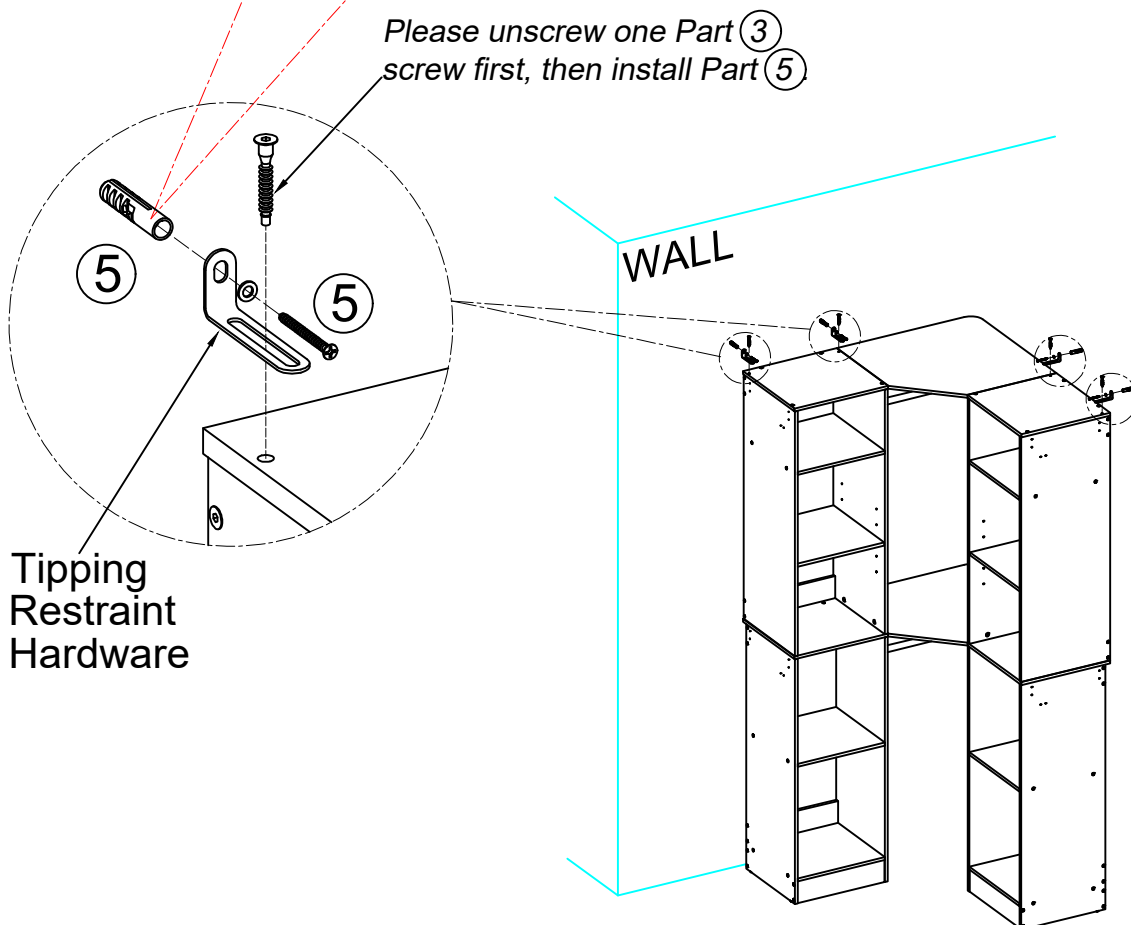
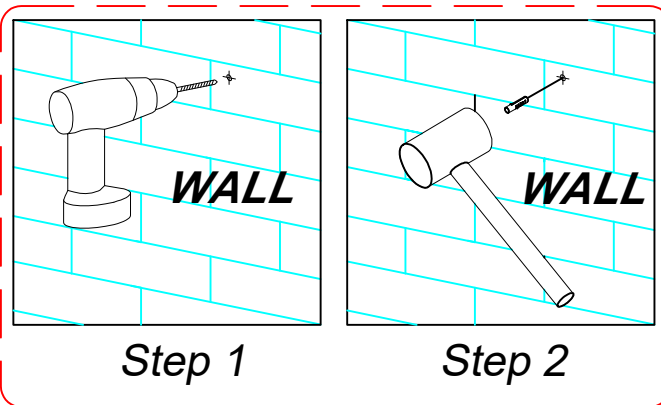
STEP 14

TIPPING RESTRAINT HARDWARE



Note: We have included four Tipping Restraint Hardware set for this Unit. When properly installed, this restraint can provide protection against the unexpected tipping of the Unit due to small tremors, bumps or climbing. We strongly recommend mounting this hardware to a wall stud and your Unit.

Note: You must install the Tipping Restraint Hardware with the unit in use to prevent any accidents or damage to the unit.



Please unscrew one Part (3) screw first, then install Part (5)

Tipping Restraint Hardware