



OVAL COOKWARE RACKS

PR16a – PR16b – PR16c

If you need assistance, please call 1-877-ENCLUME

Enclume Design Products

24 Colwell Street, Port Hadlock, WA 98339



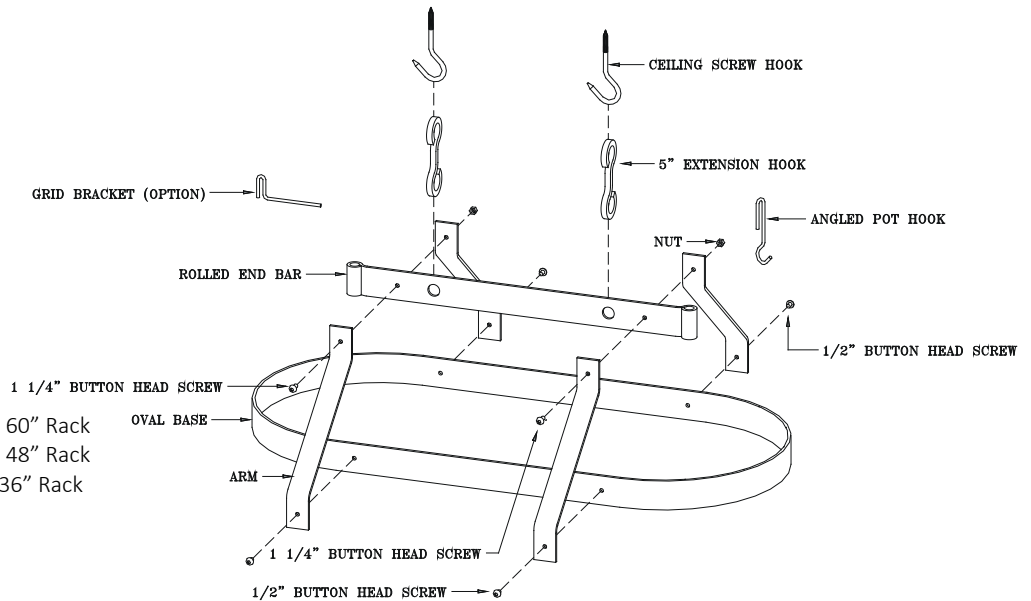
Enclosed you will find everything needed for the assembly and use of your ceiling rack. Two people make assembly and installation easier. The parts and hardware included are:

Hardware included:

- 4 – 3/8" x 1/2" Button Head Screws
- 2 – 3/8" x 1 1/4" Button Head Screws
- 2 – 3/8" Nuts
- 2 – Ceiling Screw Hooks
- 2 – 5" Extension Hooks
- 1 – 7/32" Allen Wrench
- Toggle Kit

Components included:

- 1 – Oval Base
- 1 – Rolled End Bar
- 4 – Arms
- 18 - Angled Pot Hooks - 6 Straight Hooks - 60" Rack
- 12 - Angled Pot Hooks - 6 Straight Hooks - 48" Rack
- 6 - Angled Pot Hooks – 6 Straight Hooks - 36" Rack
- 1 Grid
- 6 Pot Hooks
- 6 Grid Brackets



ASSEMBLY AND INSTALLATION INSTRUCTIONS

Grid Assembly (if you have not purchased a grid, please continue on to the rack assembly instructions).

- 1) Slip the 6 grid brackets over the oval base with the "L" portion pointing to the inside. Center one bracket on each end and on the inside of each arm.
- 2) Place the grid on the brackets. You are now ready to assemble your rack.
- 3) Hang your pot hooks from the interior squares only. **Do not** hang them from the perimeter or the cut portions of the grid. Distribute your cookware evenly.
- 4) The grid has been treated with a finish which will resist corrosion and tarnish. It can be cleaned with a damp cloth and dried thoroughly. Please do not use abrasive cleaners.

Rack Assembly

- 1) If your rack is plated it is best to keep the tissue on during installation to avoid fingerprinting.
- 2) Attach the arms to the outside of the oval using the four shorter button head screws, leaving them loose.
- 3) Attach the rolled end bar to the top of the arms using the two longer button head screws and the two nuts. Insert the extension hooks into the holes in the rolled bar.
- 4) Square up the arms and tighten all the screws with the allen wrench. The assembly is now complete.
- 5) We recommend that you anchor your rack into the solid wood of ceiling joists or beams. Carefully measure the area where the rack is to be hung and install the ceiling screw hooks directly into the wood joists. If it is not convenient to hang your rack directly into wood joists you may use the new-technology DRYWALL anchors enclosed with your rack. The steel anchors are very strong and when installed in drywall will hold 200 lbs. each. Two anchors hold about 400 lbs. Follow the instructions in the Toggle kit.
- 6) Hang your heavier items on the straight portion of the rack between the hanging arms or from the upper rolled end bar between the extension hooks.

WARNING: It is important that your ceiling rack is assembled correctly. If the unit is assembled or used incorrectly, it could become unstable and collapse, possibly causing injury.

LIMITED WARRANTY: This product is warranted to be free of material defects, other than that from normal use, for a period of five years from the date of purchase. Customer's exclusive remedy shall be the repair or replacement of the defective product and shall be subject to the following conditions: (1) notice of any defect is received by Enclume within the warranty period and (2) customer returns the defective product to Enclume Design Products, 24 Colwell St., Port Hadlock, WA 98339, postage prepaid within 20 days following a return authorization number (which may be obtained by telephoning the number at the top of this instructions) being provided to the customer by Enclume. There are no other warranties, expressed or implied. THERE ARE NO WARRANTIES OF MERCHANTABILITY OR FITNESS FOR A PARTICULAR PURPOSE. ENCLUME SPECIFICALLY DISCLAIMS ANY AND ALL INCIDENTAL OR CONSEQUENTIAL DAMAGES ARISING OUT OF THE PURCHASE OR USE OF ENCLUME'S PRODUCTS.