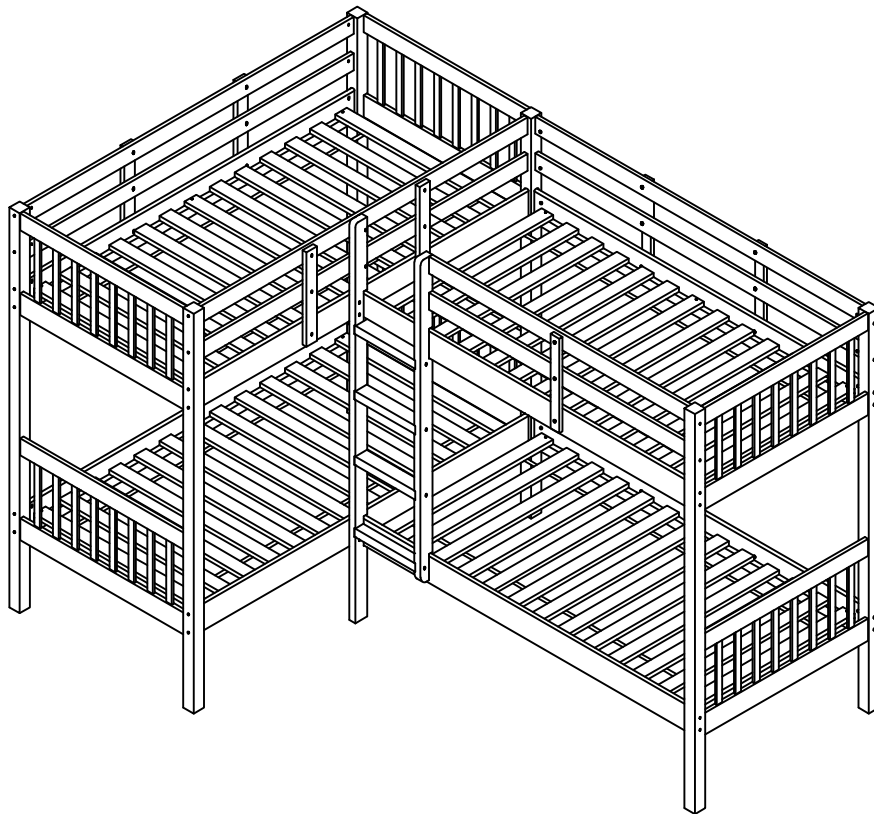


# Assembly Instructions



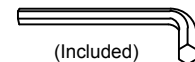
## ASSEMBLY RATING

The Assembly Rating is a 5-point system that shows the degree of effort needed in assembling a specific product (with 1 being easy and 5 being difficult). For some products, two persons are recommended.

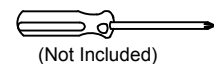
EASY  DIFFICULT

## Tools Required For Assembly:

Allen Wrench



Phillips Screwdriver

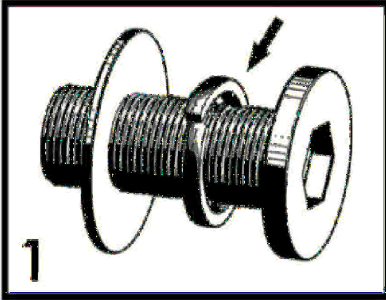


2 PERSONS RECOMMENDED

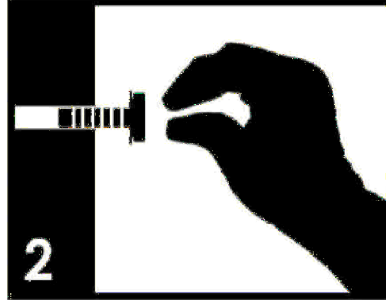
# ASSEMBLY & CARE ADVICE

FOR YOUR FURNITURE TO LAST, CORRECT ASSEMBLY AND PROPER MAINTENANCE ARE NECESSARY. PLEASE FOLLOW THE INFORMATION PROVIDED BELOW TO FULLY ENJOY YOUR FURNITURE.

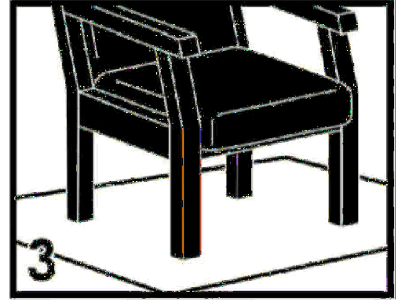
## BASIC ASSEMBLY TECHNIQUES



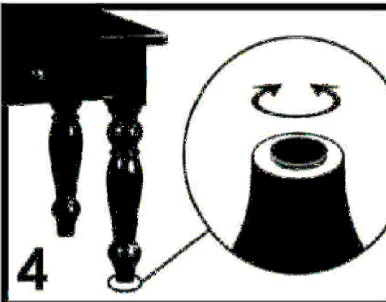
1  
When lock or spring washer is used in an assembly, please make sure the lock or spring washer is placed between the larger flat washer and the head of the screw or bolt.



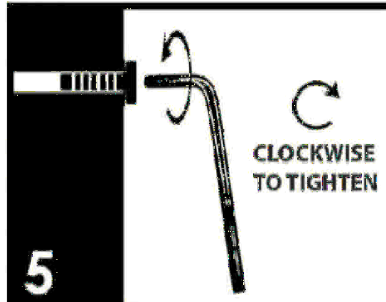
2  
Position each part correctly and insert screws or bolts into their respective holes by hand tighten or using the proper hand tool. Only tighten when step is completed or when instructed to do so.



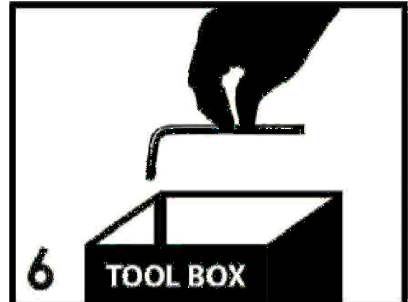
3  
Use cardboard or carpet area when assembling furniture to prevent scratches. Make sure the furniture rests on a flat and level surface with each leg evenly touching the floor.



4  
Some furniture comes with height adjustment knobs underneath each leg. To lower or to raise each leg, you need to turn clockwise or counterclockwise, respectively.



5  
Make sure all parts are properly aligned, then use the appropriate hand tool to completely tighten the bolts or screws. Do not use power tools and do not overtighten.



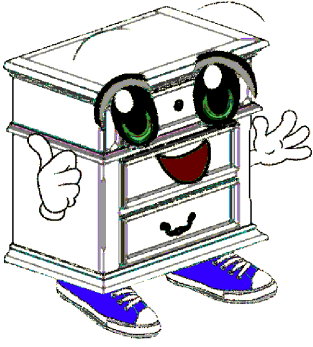
6  
Save the instructions and store the Allen wrench or any supplied tool for later maintenance. After two weeks, check and tighten any loose hardware and repeat again every six months thereafter.

IT IS THE USER'S RESPONSIBILITY TO MAINTAIN THE FURNITURE. THE HARDWARE MAY LOOSEN OVER TIME AND MAY CAUSE THE FURNITURE TO BE WOBBLY AND UNABLE TO SUPPORT ITS INTENDED WEIGHT CAPACITY. THIS MAY LEAD TO COLLAPSE AND MAY CAUSE SERIOUS INJURY.



**FAILURE TO FOLLOW THE GUIDELINES ABOVE MAY RESULT IN INJURY AND/OR PROPERTY DAMAGE.**

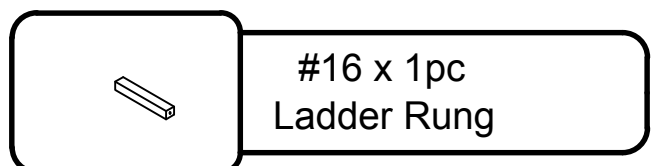
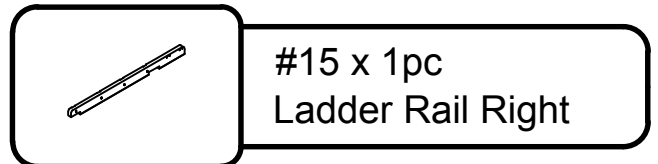
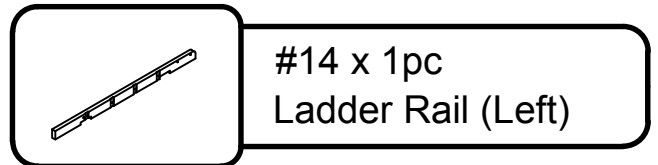
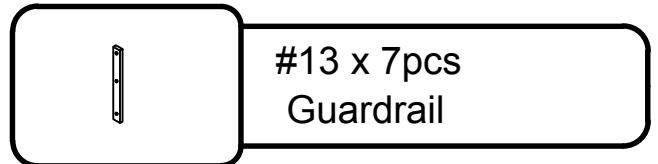
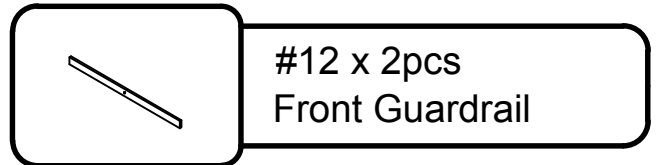
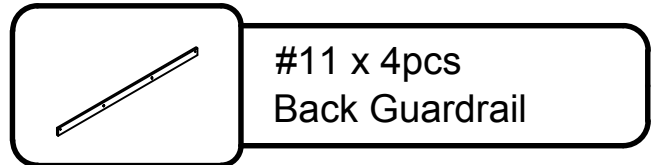
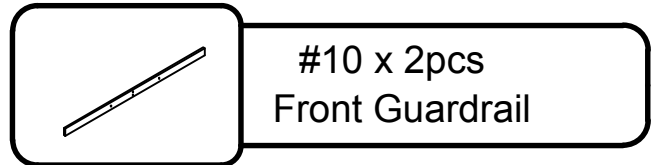
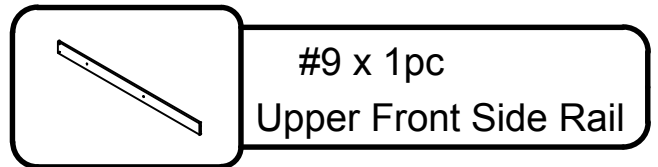
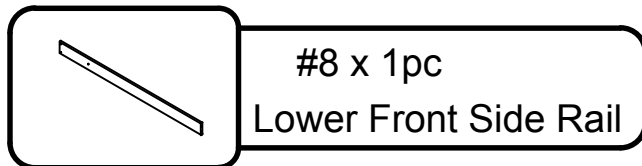
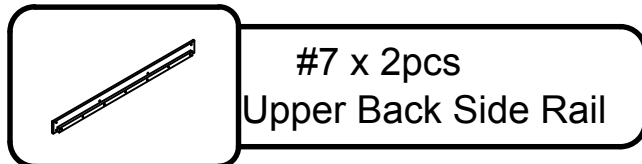
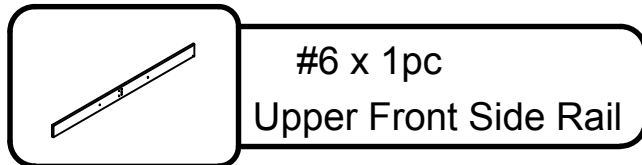
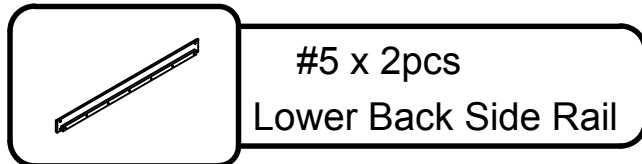
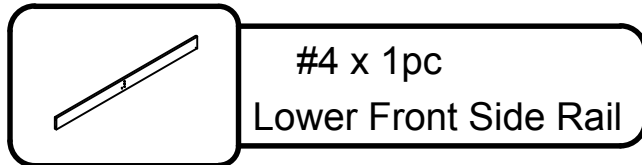
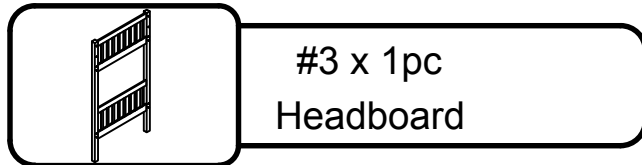
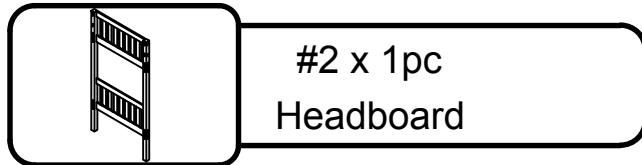
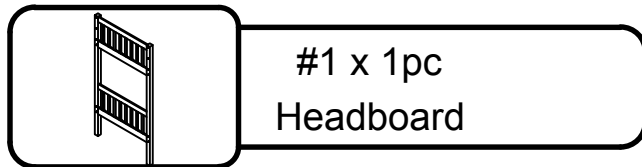
ALL RIGHTS RESERVED.

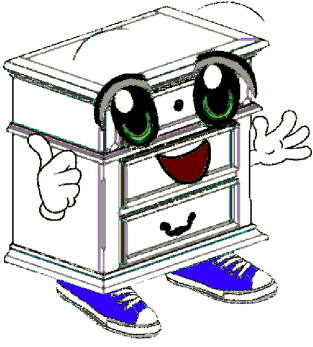


Before you begin, please read Page 2 of "Assembly and Care Advice".

And remember, do not tighten until each step is completed or instructed.

### Parts List

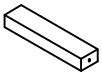




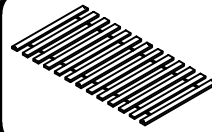
Before you begin, please read Page 2 of "Assembly and Care Advice".

And remember, do not tighten until each step is completed or instructed.

### Parts List



#17 x 3pcs  
Ladder Rung



#18 x 4set  
Twin Slat Kit (13pcs)

### Hardware List



#A x 42pcs  
Bolt  $\text{\O}1/4"$  x 4"



#F x 8pcs  
Screw  $\text{\O}1/4"$  x 2"



#B x 48pcs  
Barrel Nut  $\text{\O}1/4"$  x  $1/2"$



#G x 20pcs  
Wood Dowel  $\text{\O}7/16"$  x  $1-9/16"$



#C x 6pcs  
Bolt  $\text{\O}1/4"$  x  $3-1/8"$



#H x 24pcs  
Screw  $\#3/16"$  x  $1-3/16"$



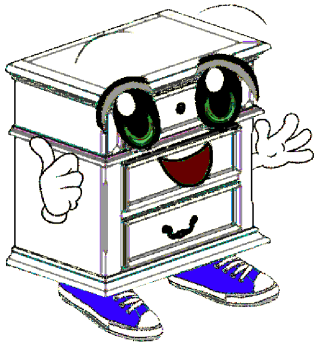
#D x 11pcs  
Bolt  $\text{\O}1/4"$  x  $1-3/4"$



#I x 1pc  
Allen Wrench 4mm

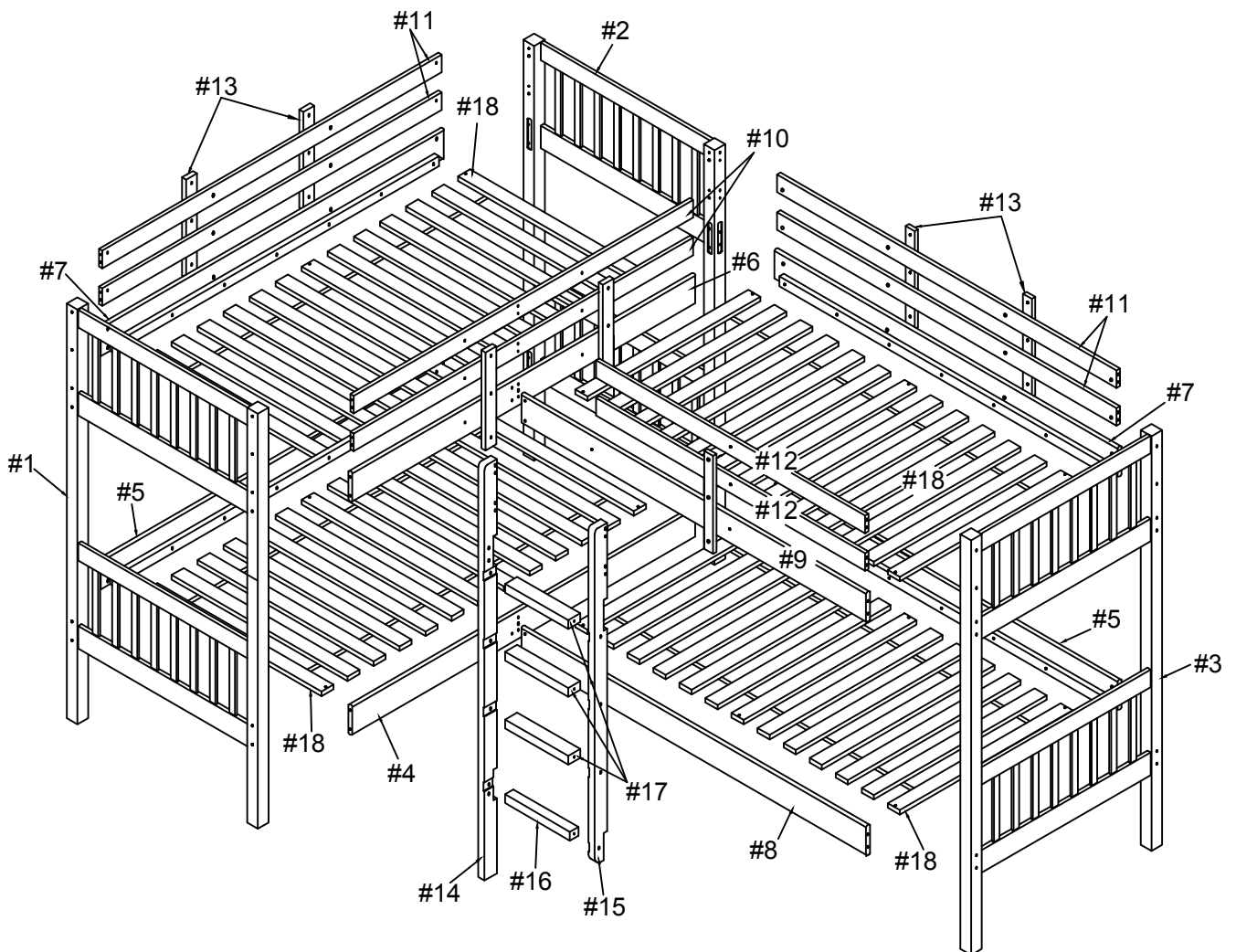


#E x 21pcs  
Bolt  $\text{\O}1/4"$  x  $1-3/16"$



Before you begin, please read Page 2 of "Assembly and Care Advice".

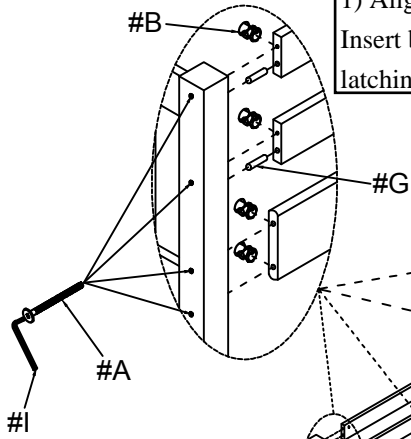
And remember, do not tighten until each step is completed or instructed.





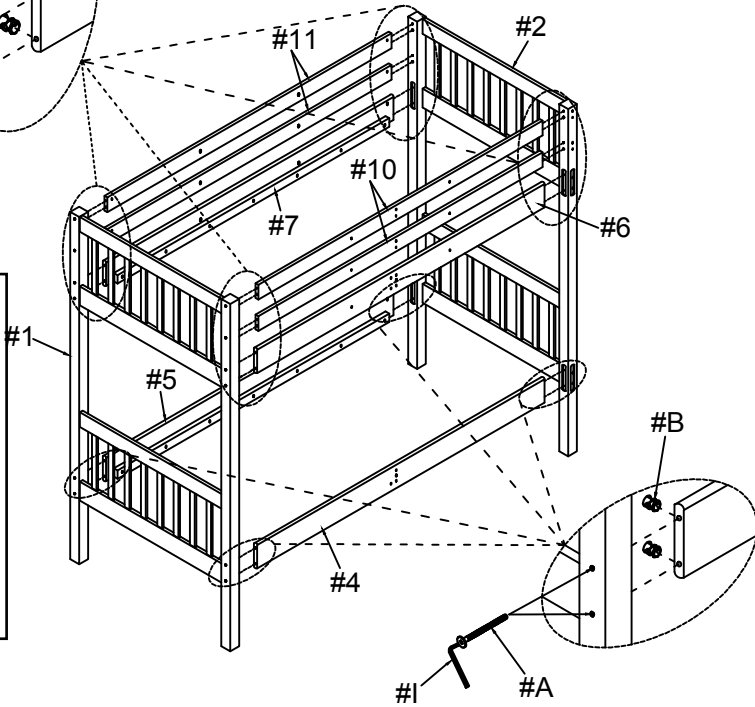
#1

#A x 24pcs  
#B x 24pcs  
#G x 8pcs



1) Align lower side rails (#4,5) to the bottom holes of the headboard (#1,2). Insert barrel nuts (#B) to the side rails (#4,5), then secure with bolts (#A) latching onto barrel nuts (#B).

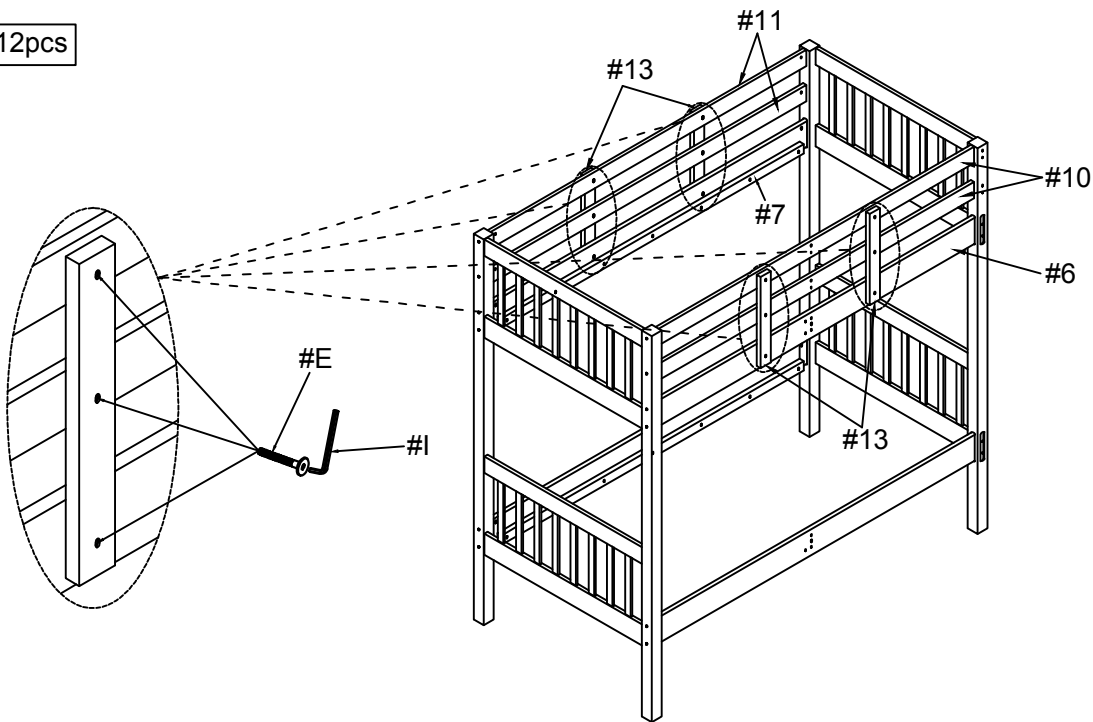
2) Align upper side rails (#6,7) to the holes of the headboard (#1,2). Insert barrel nuts (#B) to the side rails (#6,7), then secure with bolts (#A) latching onto barrel nuts (#B).  
3) Align upper guardrails (#10,11) to the holes of the headboard (#1,2). Insert barrel nuts (#B) and wood dowels (#G) to the guardrails (#10,11), then secure with bolts (#A) latching onto barrel nuts (#B).



#2

#E x 12pcs

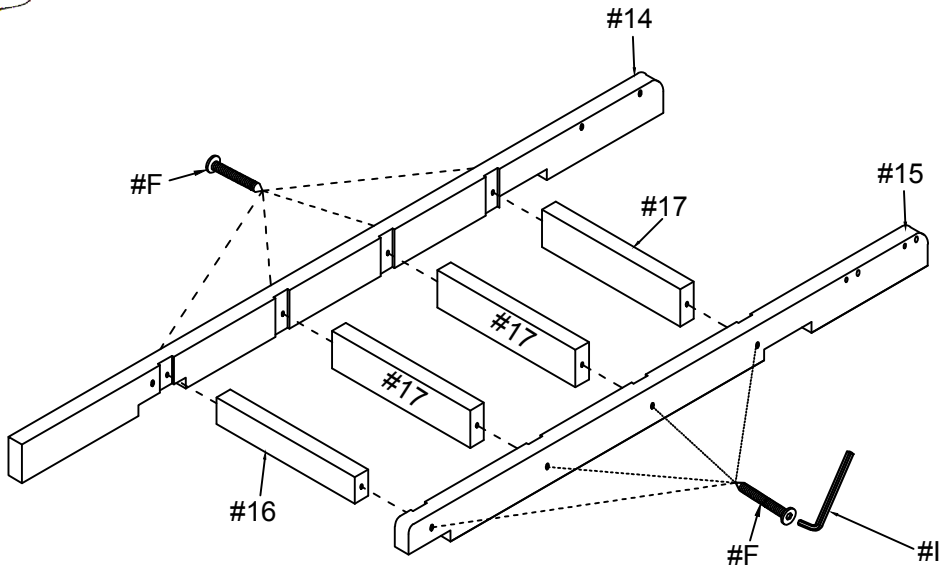
Align guardrail bracket (#13) to the holes of the upper side rails, then secure with bolts (#E).





Align ladder rung (#17) to the holes of the ladder rails (#14,15), then secure with screws (#F).

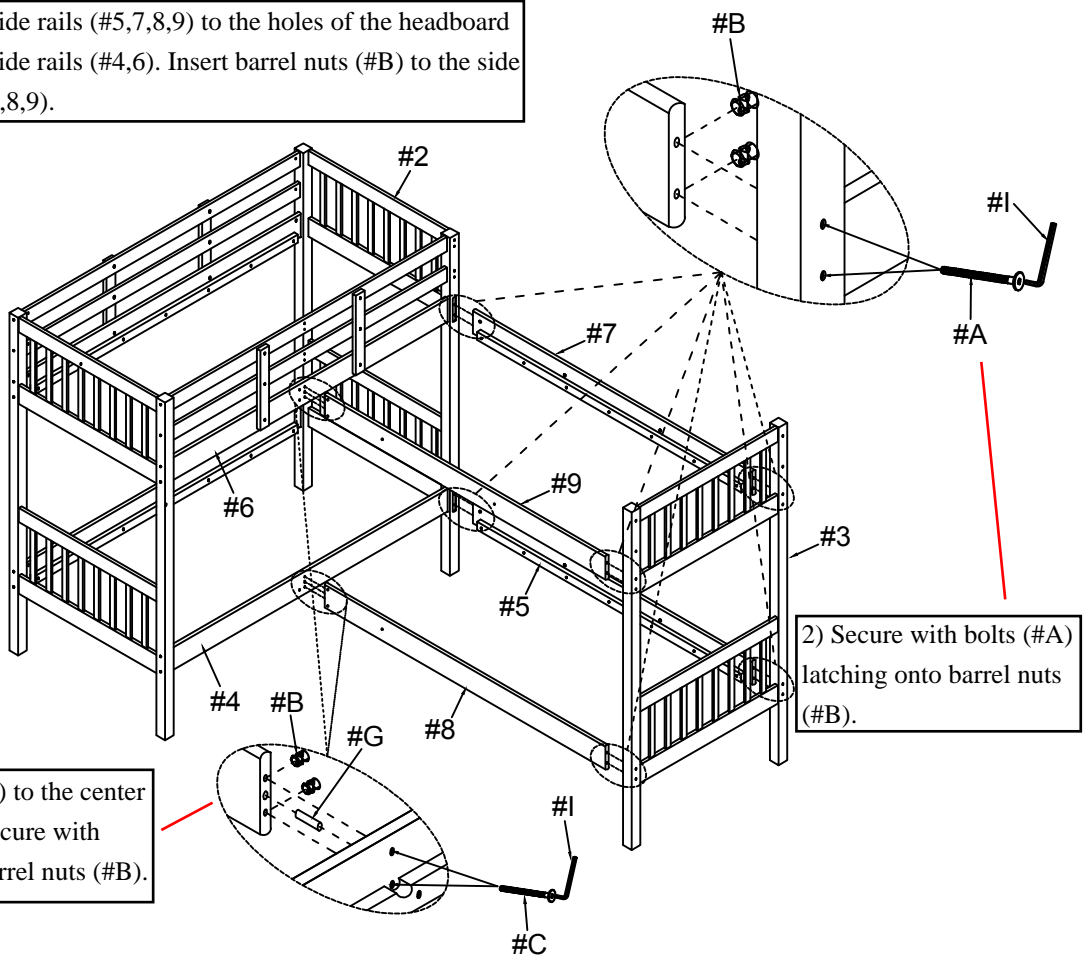
#F x 8pcs



1) Align side rails (#5,7,8,9) to the holes of the headboard (#3) and side rails (#4,6). Insert barrel nuts (#B) to the side rails (#5,7,8,9).

#A x 12pcs  
#B x 16pcs  
#C x 4pcs  
#G x 2pcs

DO NOT  
TIGHTEN YET.



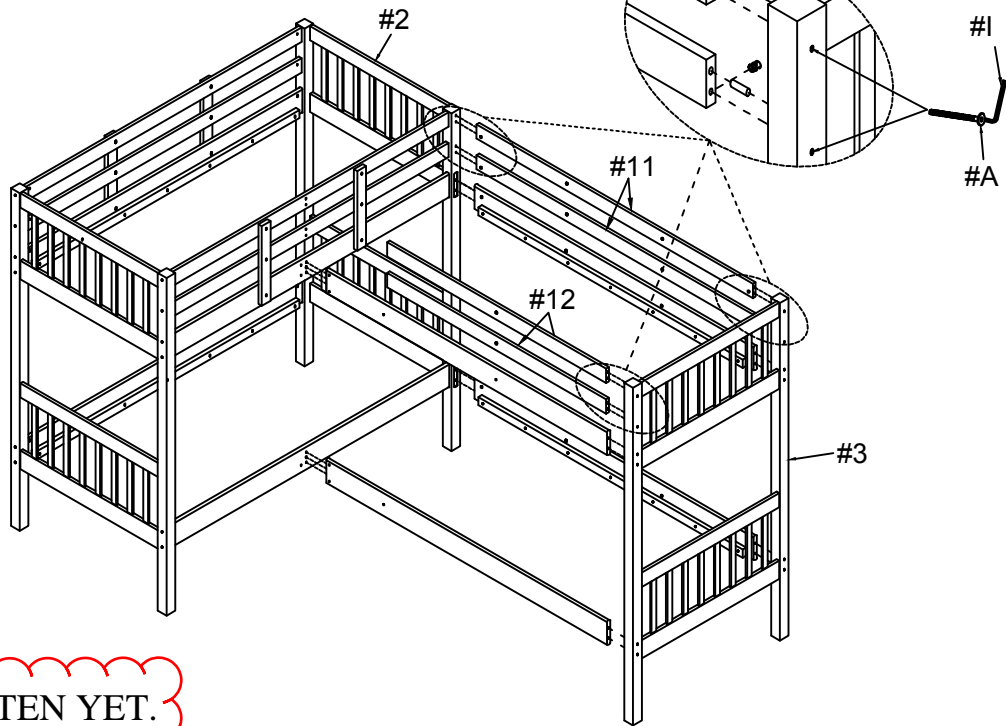
2) Secure with bolts (#A) latching onto barrel nuts (#B).

3) Insert wood dowels (#G) to the center hole of side rails (#8,9). Secure with bolts (#C) latching onto barrel nuts (#B).



Insert wood dowels (#G) and barrel nuts (#B) to the holes of the guardrails (#11,12). Align the guardrails (#11,12) to the holes of the headboard (#2,3), then secure with bolts (#A) latching onto barrel nuts (#B).

- #A x 6pcs
- #B x 6pcs
- #G x 6pcs

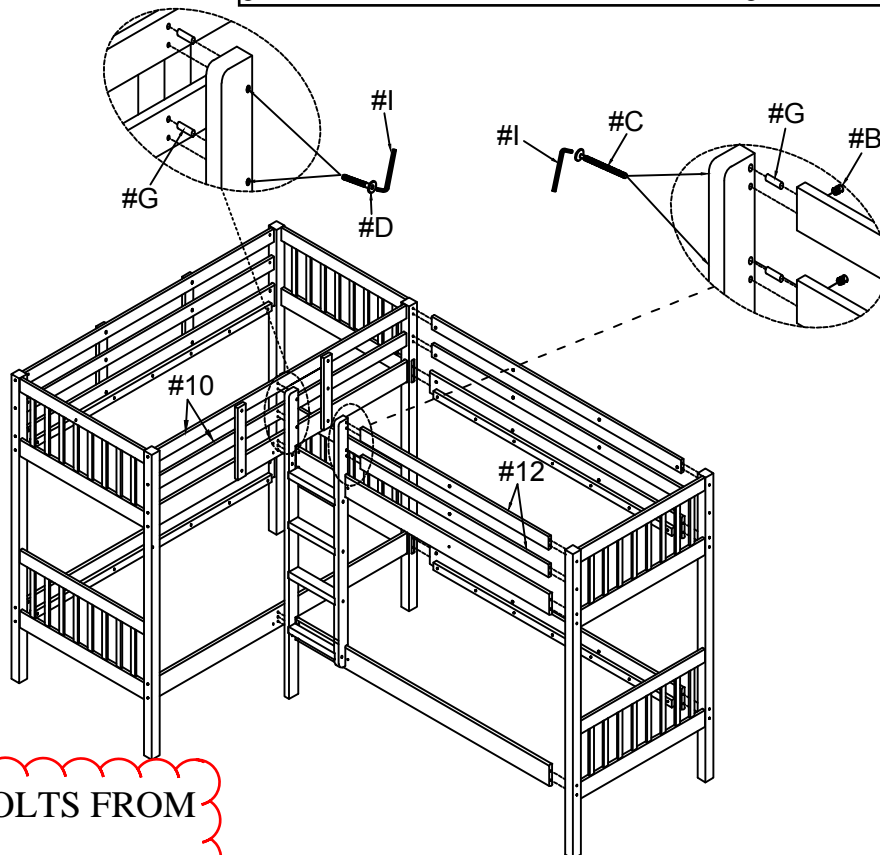


DO NOT TIGHTEN YET.



Align ladder to the holes of the front guardrail (#10,12). Secure ladder on guardrail (#10) with bolts (#D), then ladder on guardrail (#12) with bolts (#C).

- #B x 2pcs
- #C x 2pcs
- #D x 2pcs
- #G x 4pcs

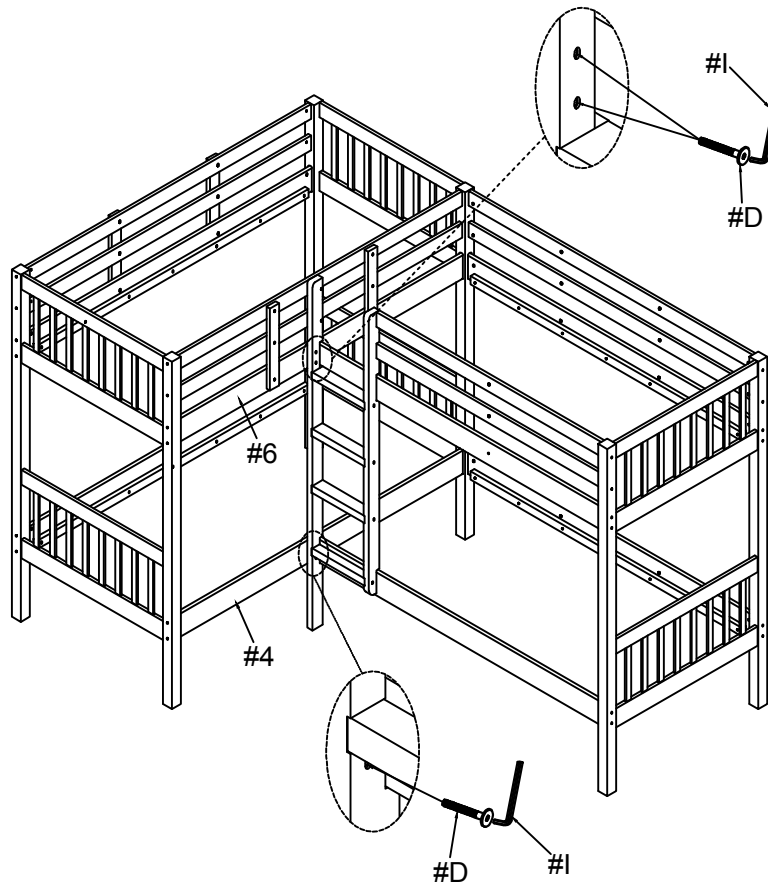


TIGHTEN ALL BOLTS FROM STEPS 4 AND 5.



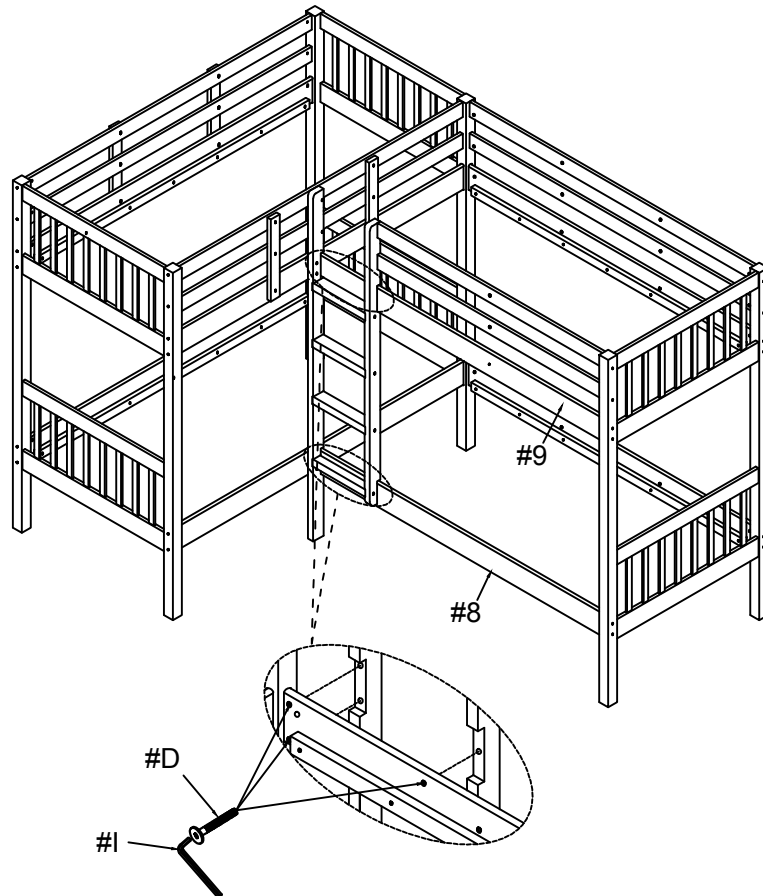
#D x 3pcs

Align the holes of the ladder to the holes of the side rails (#4,6). Secure with bolts (#D).



#D x 6pcs

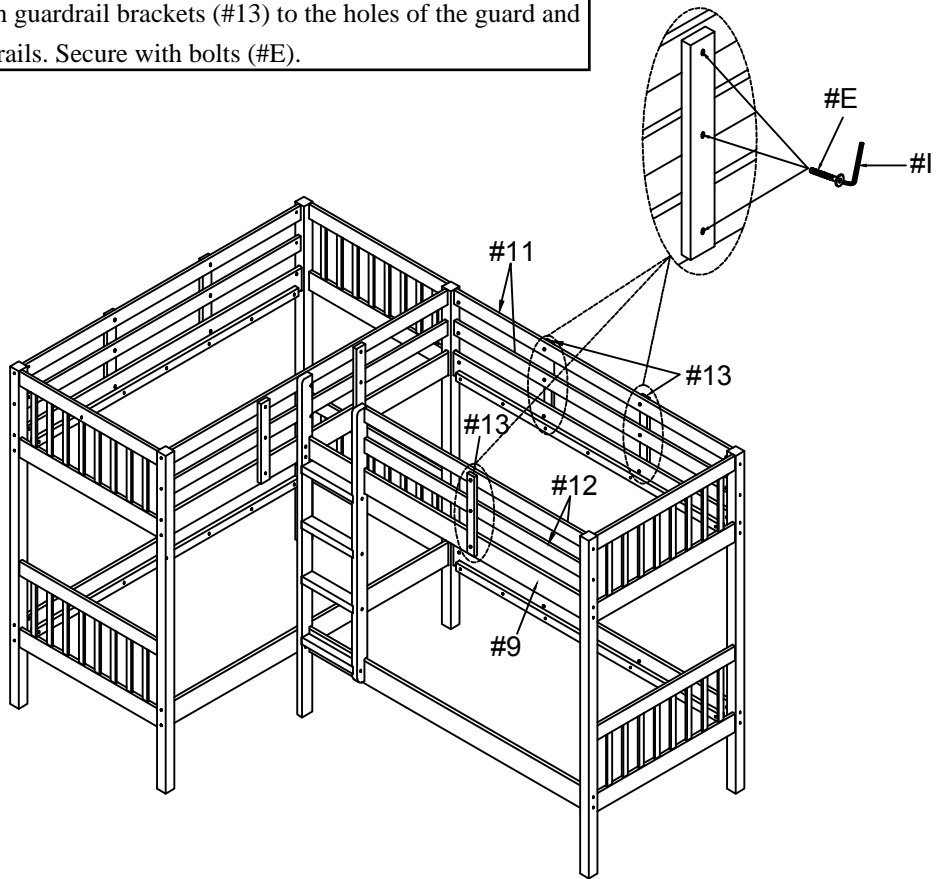
Align ladder holes to the side rails (#8,9), then secure with bolts (#D).





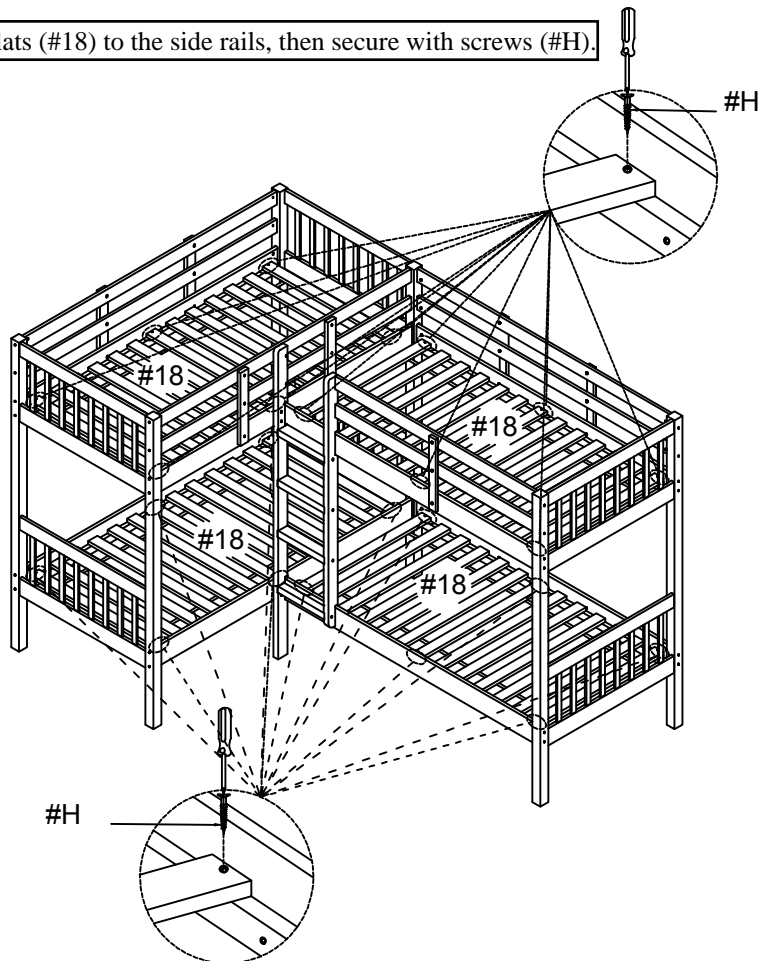
Align guardrail brackets (#13) to the holes of the guard and side rails. Secure with bolts (#E).

#E x 9pcs



Align slats (#18) to the side rails, then secure with screws (#H).

#H x 24pcs



## Safety Warnings for Bunk Beds

1. Read and follow the information on the WARNINGS shown on the end structure of the upper bunk and on the carton.
2. Do not remove warning label from the bed.
3. Keep these instructions for future reference.
4. Always use the recommended size mattress or mattress support, or both, to help prevent the likelihood of entrapment or falls.

**IMPORTANT: Must use Bunkie mattress.** The proper sizes for the **UPPER TWIN-SIZE** Bunkie mattress should be 74" - 75" long and 37½" - 38½" wide with no more than 8" thickness.

Must use Bunkies mattress. The proper sizes for the lower twin - size Bunkie mattress should be 74" - 75" long and 38½" wide with no more than 8" thickness.

5. Surface of mattress must be at least 5 inches (127 mm) **BELOW** the upper edge of guardrails.
6. The **MAXIMUM** weight capacity for the upper bunk is not to exceed 150 lbs
7. Do not allow children under 6 years of age to use the upper bunk.
8. Periodically check and ensure that the guardrails, ladder, other components are in their proper position, free from damage, and that all connectors are tightened and secured.
9. Do not allow horseplay on or under the bed and prohibit jumping on the bed.
10. Always use the ladder for entering or leaving the upper bunk.
11. Do not use substitute parts. Contact the manufacturer or dealer for replacement parts.
12. Use of a nightlight may provide added safety precaution for a person using the upper bunk.
13. Always use the guardrails on both sides of the upper bunk
14. If the bunk bed will be placed next to a wall, the guardrail that runs the full length of the bed should be placed against the wall to prevent entrapment between the bed and the wall.
15. The use of water or sleep flotation mattresses is prohibited.
16. No more than one person is allowed on the upper bunk at all time



## **WARNING: STRANGULATION HAZARD**

Never attach or hang objects to any part of the bunk bed that are not designed for use with the bed. Objects such as hanger, hook, belt, bag, rope, string, etc. Should not be used on or around the bunk bed.