



**USER'S MANUAL**

---

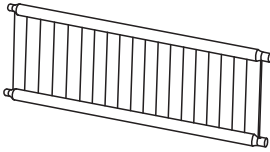
**Raised Garden Bed**

■ Parts List:

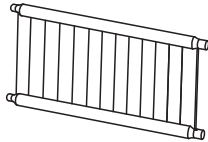
A/4PCS



B/2PCS



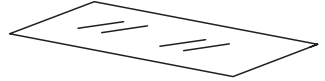
C/2PCS



D/2PCS



E/1PC

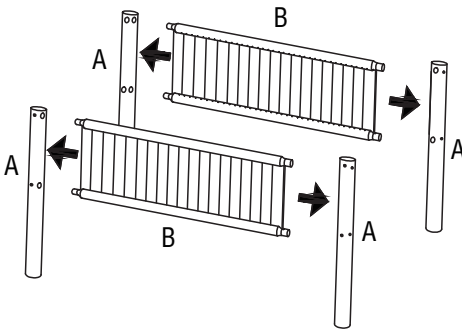


①/16PCS

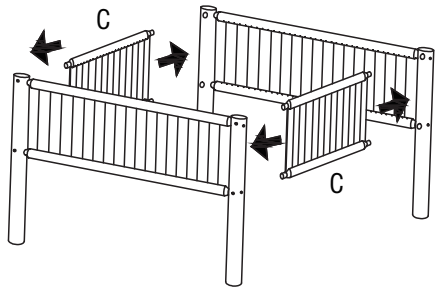


■ How to assemble:

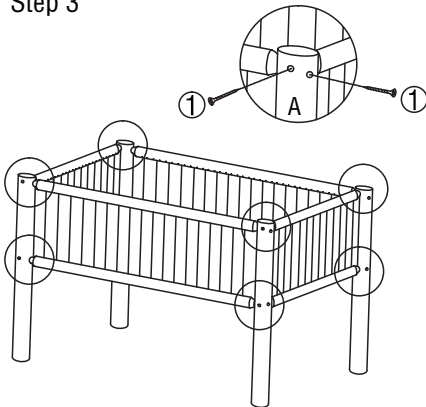
Step 1



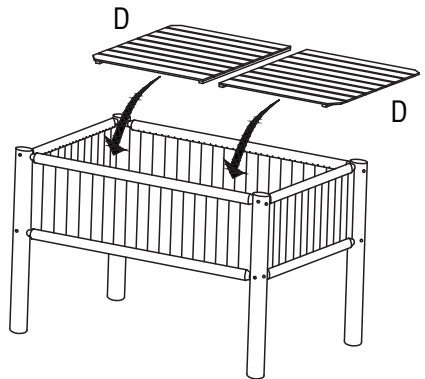
Step 2



Step 3

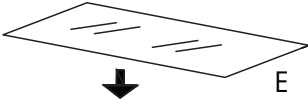


Step 4



■ How to assemble:

Step 5



finish

