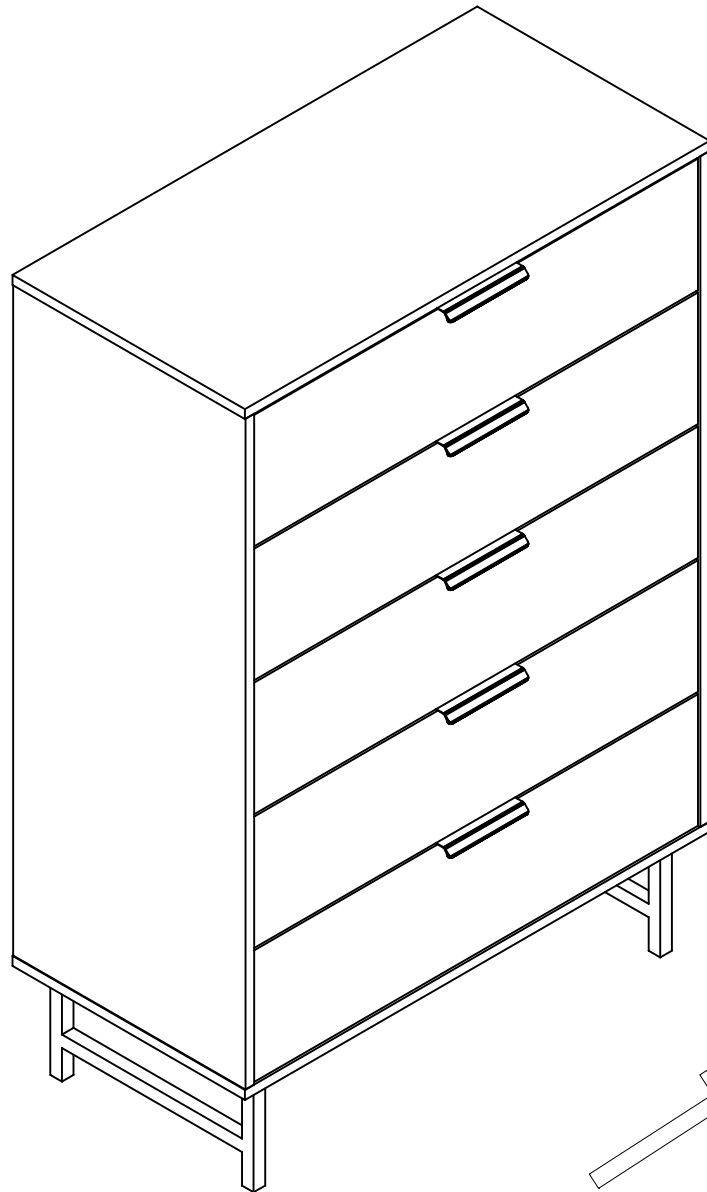
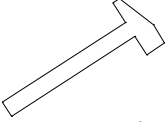
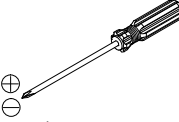
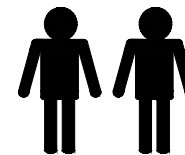

















Assembly Instruction

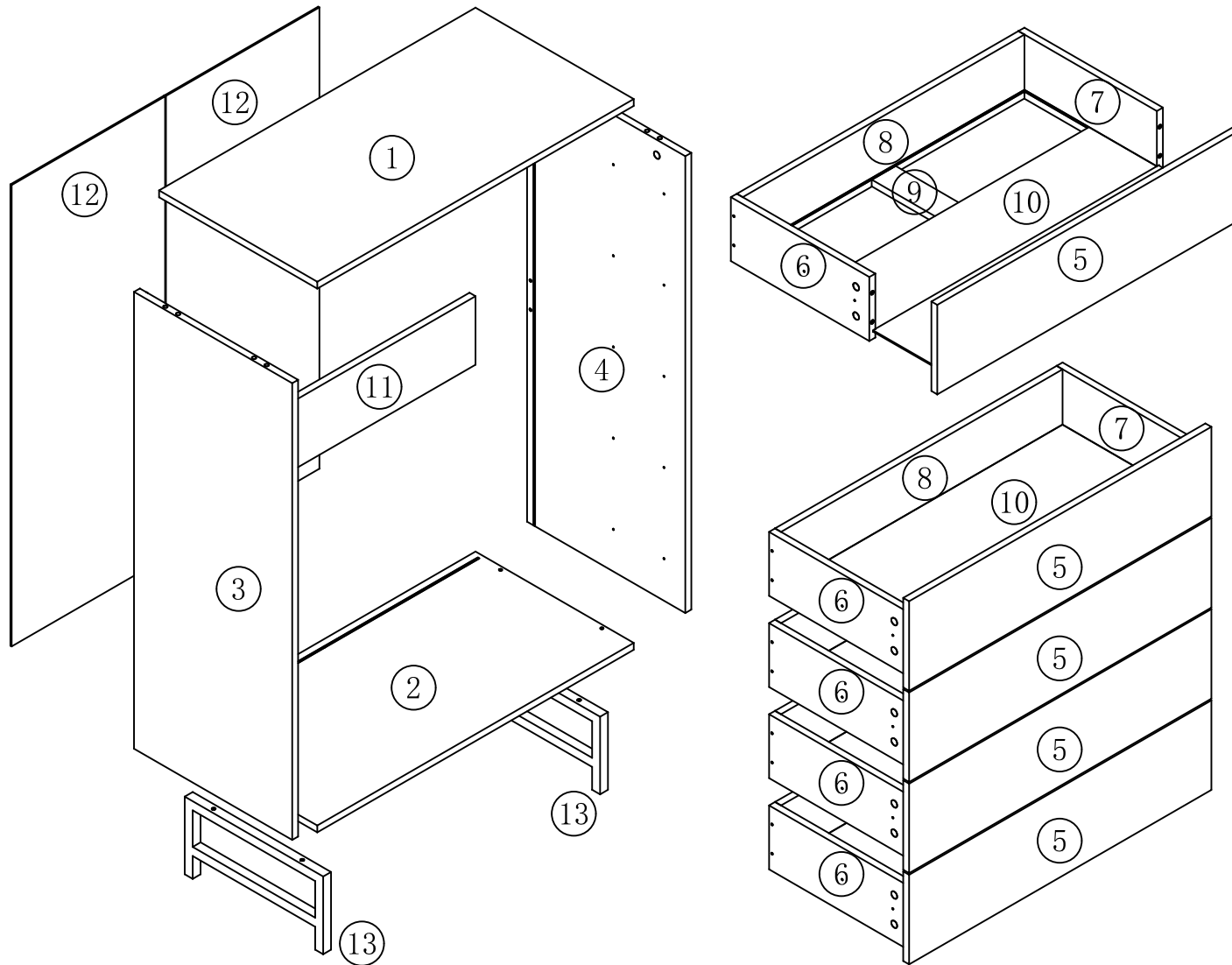




 Hammer and Screwdriver
 are not included !!



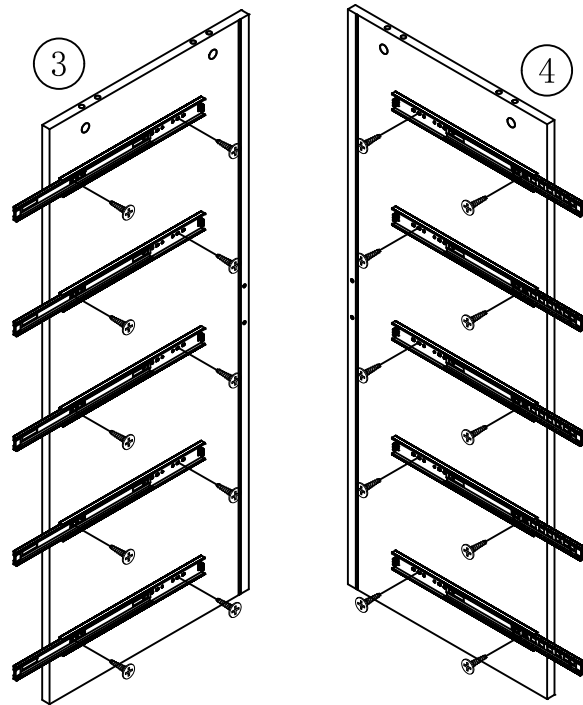
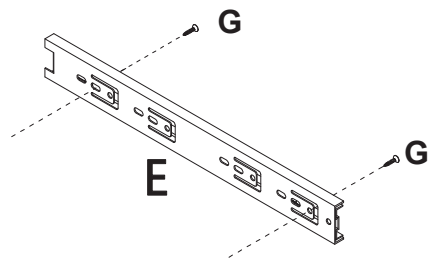
NO.	QTY.	LINEDRAWING
(A)	4	
(B)	28	
(C)	28	
(D)	14	 8x40
(E)	5	
(F)	20	 3.5x35
(G)	40	 3.5x14
(H)	10	 3.5x12
(I)	5	
(J)	18	
(K)	32	 $\phi 20$
(L)	4	 M6x30
(M)	2	
(N)	1	
(O)	1	

PARTS LIST



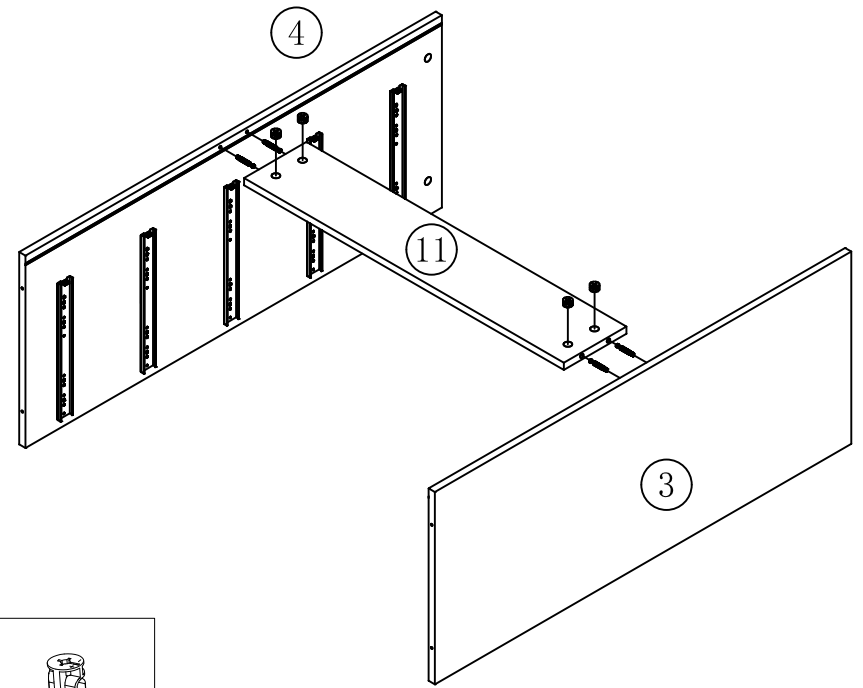
NO.	QTY.
①	1
②	1
③	1
④	1
⑤	5
⑥	5
⑦	5
⑧	5
⑨	5
⑩	5
⑪	1
⑫	2
⑬	2

1



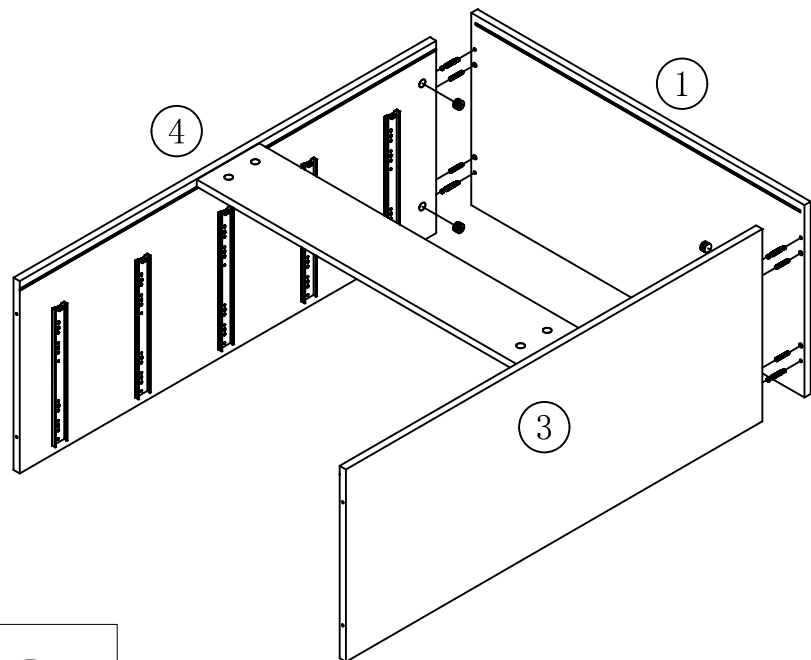
E		G	
	2x		8x

2



B		C	
	4x		4x

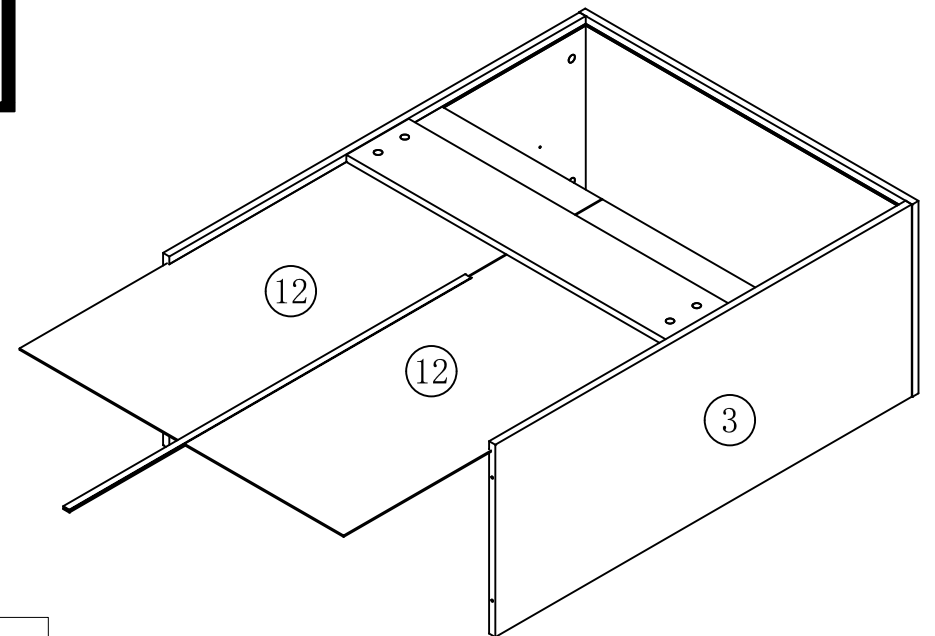
3



D		8x40
	4x	

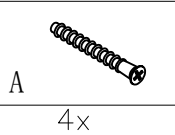
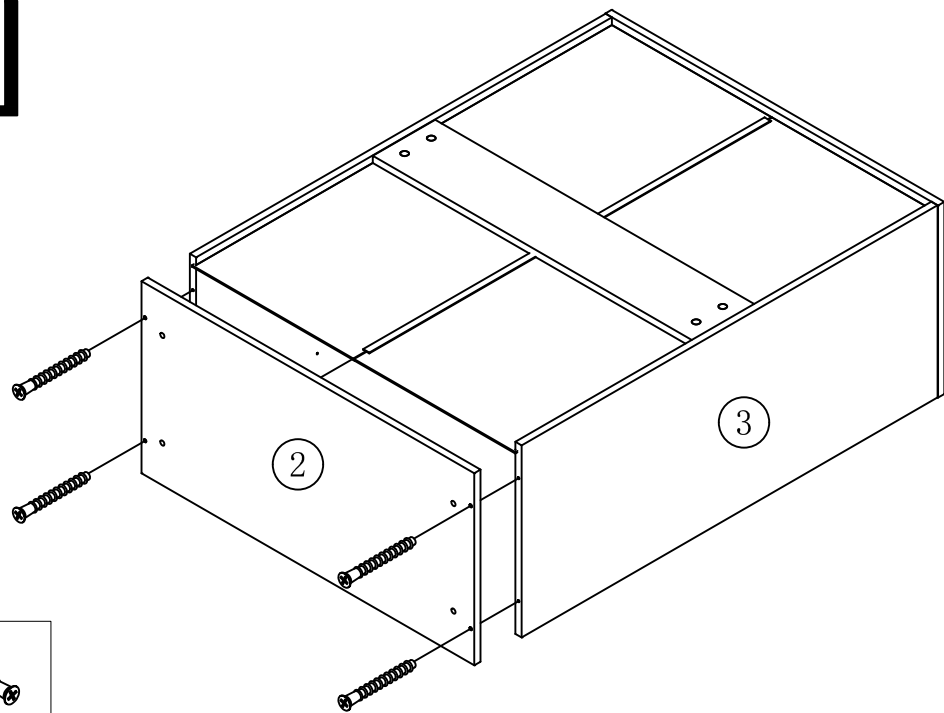
B		C	
	4x		4x

4

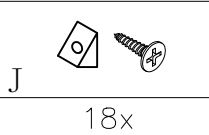
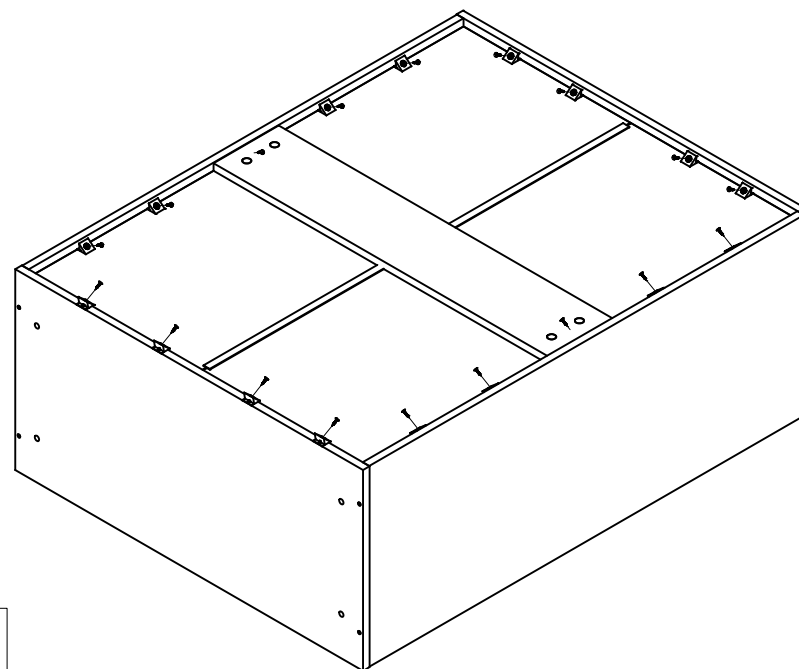


N	
	1x

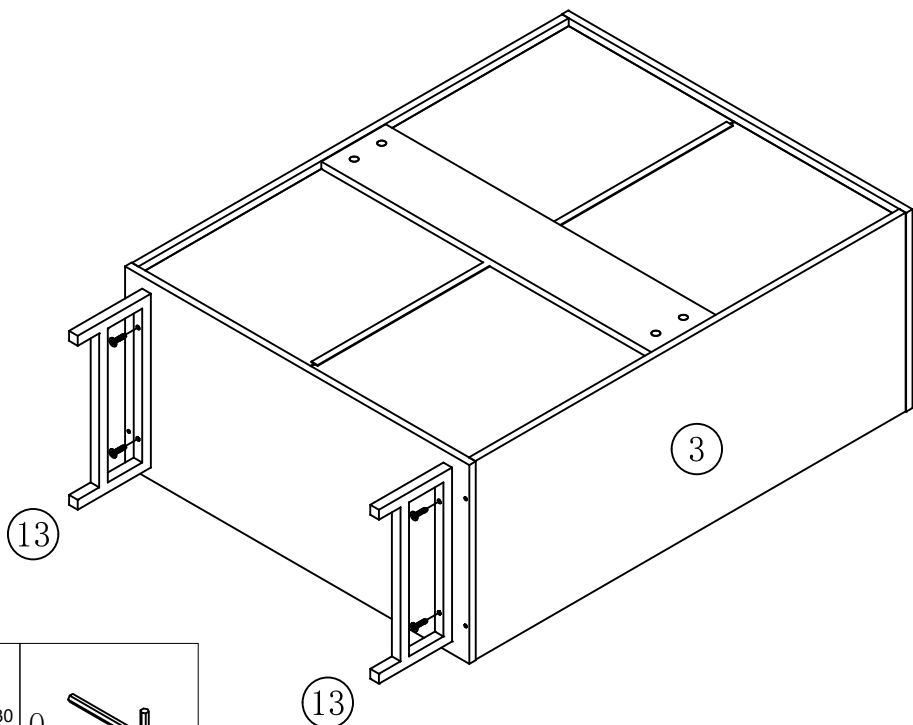
5



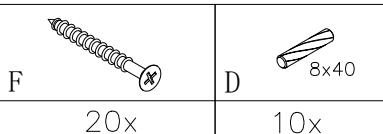
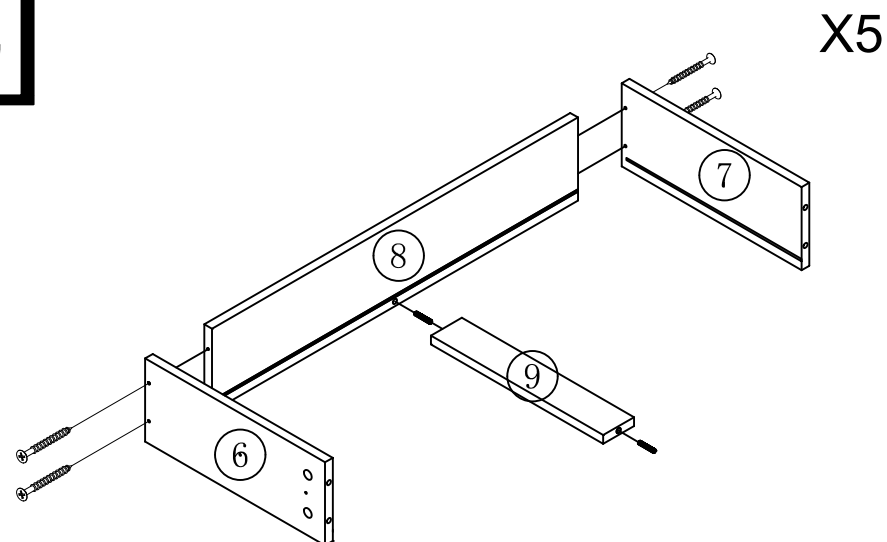
6



7

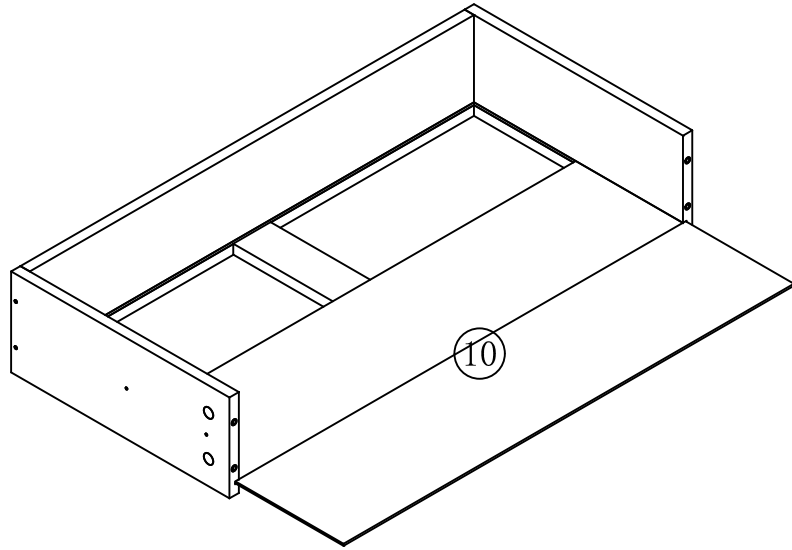


8



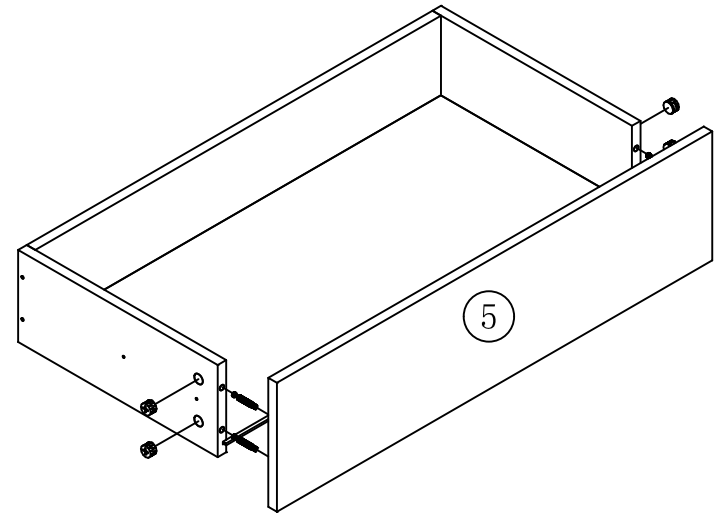
9



X5



10

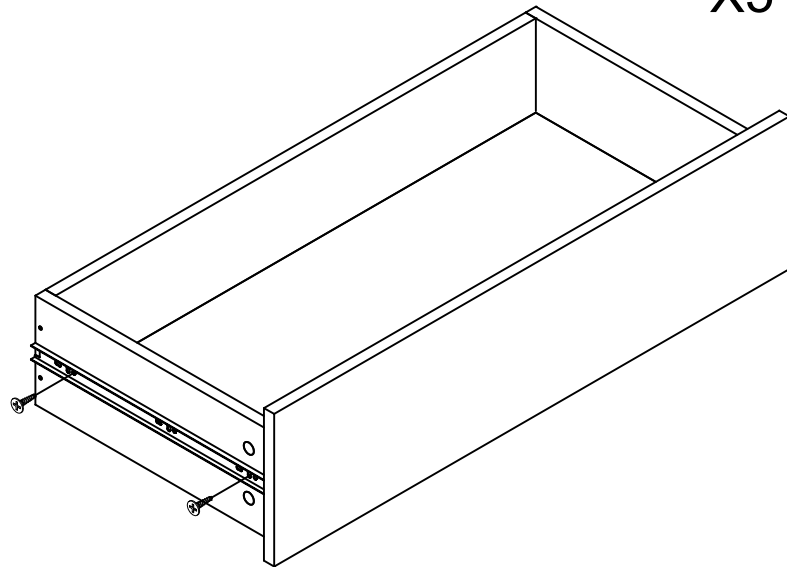
X5



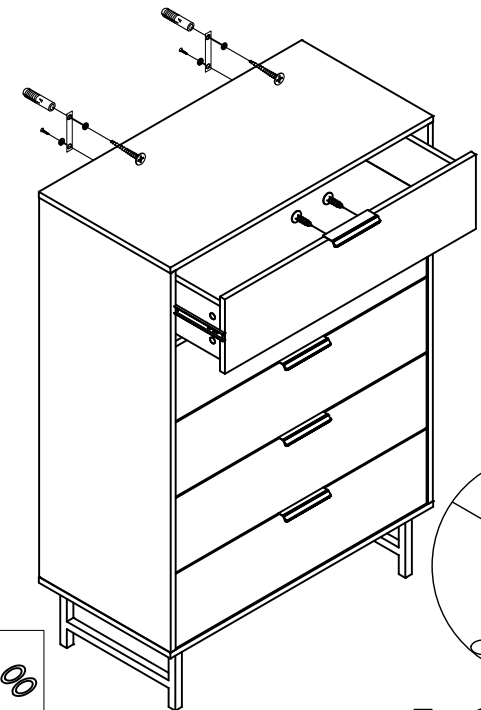
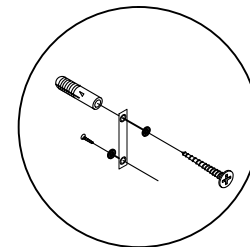
B 	C 
20x	20x


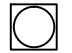


11



X5



12



H 	K 
10x	32x
I 	M 
5x	2x

E 	G 
5x	20x

5 OF 5